

BAJAJ
pulsar DTS-i
180 UG4

BAJAJ
pulsar DTS-i
180 UG4

Bajaj Auto Limited
Akurdi Pune 411 035 India
Tel +91 20 27472851
Fax +91 20 27407385
www.bajajauto.com

Spare Parts Catalogue

(EXPORT)



Notice



All information contained in this manual is based on the latest product information at the time of publication. Bajaj Auto Limited accepts no liability for any inaccuracies or omissions in this publication, although every possible care has been taken to make it as complete and accurate as possible. All procedures and specifications subject to change without prior notice. The right is reserved to make such changes at any time without prior notice and without incurring an obligation to make such changes to product manufactured previously. Contact your authorized Bajaj Dealer for the latest information on product improvements incorporated after this manual was issued.

DOC. NO.: xxxxxxxx

REV. 03, AUG. 2016

Foreword

We have pleasure in presenting the Spare Parts Catalogue for 'Pulsar 180 CC UG IV' Motorcycle. This catalogue has been specially designed to assist you in selecting the correct parts for procurement to maintain 100% availability.

The Bajaj spares are subjected to the stringent quality control standards to ensure longer life of the vehicle. It is therefore necessary that the Genuine Bajaj Spares are used.

In a continual effort to improve Performance and Efficiency of the vehicles, Specifications, Diagrams, Illustrations and Part Numbers can change without notice. Consequently, the description in this Spare Parts Catalogue cannot therefore be final and binding on us.

The modifications / alterations which are carried out after the issue of this catalogue, will be conveyed to you through our Service Circulars. You are requested to make necessary corrections in the Parts Catalogue as per the circulars so as to keep your catalogue up-to-date. This will ensure the appropriate and speedy delivery of the Spare Parts as the order placed will bear the latest part numbers.

In case, if you need any technical assistance contact the concerned Regional Office or write to us on the following address :

Bajaj Auto Limited

International Business

Akurdi, Pune 411 035 India

Phone : 020-27472851

Fax : 020-27407395

Email : spdexports@bajajauto.co.in

Instructions

1. How to Read the Catalogue : Open the catalogue and from the pictorial index locate the group in which the part you want to find is present. Turn over to the concerned page number (as given by pictorial index). Now find out the figure of the part you wish to order. Write down the part number against that particular figure number from the text.

In case, if you have the part number and you need the other details, the part index can be used. The part index (at the end of the catalogue) will give you the figure and page number of the part you wish to order.

2. How to Order Spare Parts : The part number and the description of the part required should be invariably mentioned in the order as per the catalogue text.

The latest part number as conveyed through our service circulars should appear on the order. In case of ordering painted components, colour shade of the components should be mentioned.

The quantity shown against the part number is the quantity per vehicle for that group so that particular quantity should be multiplied by the number of sets required.

3. Part Number System : We have used 8 digit system for part numbers. The model or hardware item is indicated by first two digits or alphanumeric, the next two or four digits indicate main group and the last four or two digits indicate serial number in main group or serial number or subgroup of fastener respectively. Thus the part numbers will be indicated by 2-2-4 or 2-4-2 digit system. Understanding this system will enable you to identify the spare parts easily.

4. Abbreviations : The following abbreviations are used in this catalogue.

| | | | |
|--------|-----------------|-------|-------------|
| Assly | Assembly | V | Volts |
| N.I. | Not illustrated | W | Watts |
| C'case | Crankcase | Accl. | Accelerator |
| Cyl | Cylinder | Comp. | Complete |
| O/s | Over size | Fr. | Front |
| Rr. | Rear | Std. | Standard |
| L | Length | A/t. | Alternate |
| R.H. | Right hand | L.H. | Left hand |
| Hex. | Hexagonal | AR | As required |

Index

| Plate No. | Description | Page No. |
|-----------|-----------------------------------|----------|
| 1 | Cover Cylinder Head | 2 |
| 2 | Cylinder Head | 4 |
| 3 | Valve | 6 |
| 4 | Camshaft / Tensioner | 8 |
| 5 | Cylinder & Piston | 10 |
| 6 | Crankshaft | 12 |
| 7 | Balancer & Balancer Idler Gear | 14 |
| 8 | Transmission | 16 |
| 9 | Change Drum / Shift Fork | 18 |
| 10 | Gear Change Mechanism | 20 |
| 11 | Engine Assly. & Crankcase RH | 22 |
| 12 | Crankcase LH | 24 |
| 13 | Cover RH | 26 |
| 14 | Cover Magneto | 28 |
| 15 | Clutch | 30 |
| 16 | Carburettor | 32 |
| 17 | Air Cleaner Comp | 34 |
| 18 | Silencer Assly. | 36 |
| 19 | Oil Pump | 38 |
| 20 | Starter Assly. | 40 |
| 21 | Magneto / C.D.I. /H.T. Coil | 42 |
| 22 | Seat Assembly / Seat Lock | 44 |
| 23 | Engine Mounting | 46 |
| 24 | Frame & Frame Fittings | 48 |
| 25 | Swing Arm / Rear Shock Absorber | 50 |
| 26 | Rider Foot Rest | 52 |
| 27 | Pillion Foot Rest / Holder | 54 |
| 28 | Mudguard - Front & Rear | 56 |
| 29 | Stand Assembly | 58 |
| 30 | Tube / Tyre / Rim | 60 |
| 31 | Front Hub (For Disc Brake System) | 62 |

Index

| Plate No. | Description | Page No. |
|-----------|--|----------|
| 32 | Front Master Cylinder | 64 |
| 33 | Front Disc Brake | 66 |
| 34 | Rear Hub | 68 |
| 35 | Rear Brake Padal | 70 |
| 36 | Handle Bar | 72 |
| 37 | Front Fork | 74 |
| 38 | Painted Parts & Decals | 76, 78 |
| 39 | Petrol Cock, Cap Tank & Gauge Fuel | 80 |
| 40 | Fitting Petrol Tank Spoiler, Side Cover, Seat Cover | 82 |
| 41 | Meter Assly | 84 |
| 42 | Control Cables | 86 |
| 43 | Chain Cover | 88 |
| 44 | Head Lamp & Fairing | 90 |
| 45 | Indicator Light Assly | 92 |
| 46 | Tail Lamp Assly / Front & Rear No.Plate | 94 |
| 47 | Electrical Component | 96 |
| 48 | Tool Kit | 98 |
| 49 | Accessories / Grab Handle | 100 |

Pictorial Index

PLATE NO. : 1
Cover Cylinder Head

PAGE NO.
1 & 2

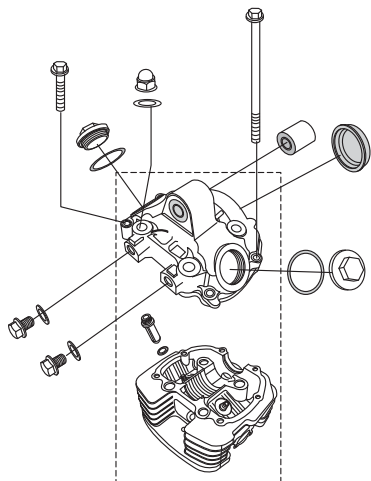


PLATE NO. : 2
Cylinder Head

PAGE NO.
3 & 4

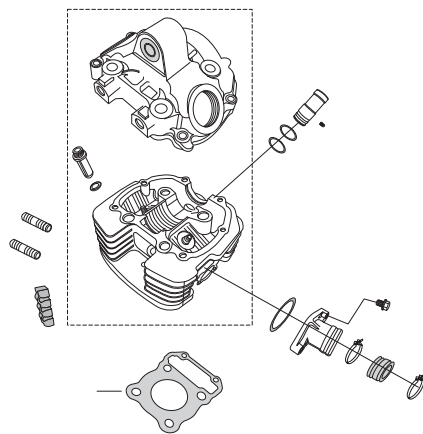


PLATE NO. : 3
VALVE

PAGE NO.
5 & 6

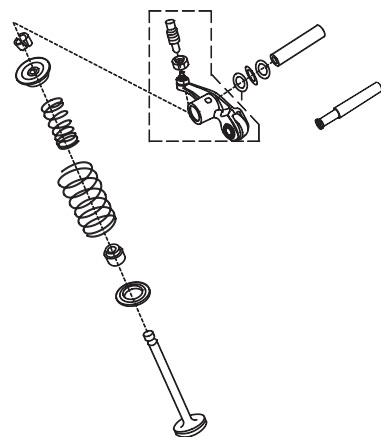
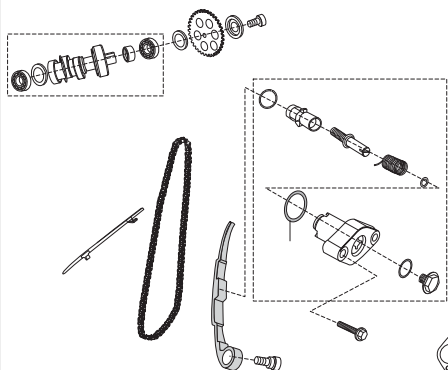


PLATE NO. : 4
Camshaft / Tensioner

PAGE NO.
7 & 8



Pictorial Index

PLATE NO. : 5
CYLINDER & PISTON

PAGE NO.
9 & 10

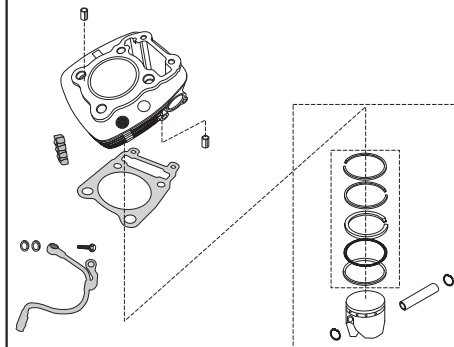


PLATE NO. : 6
CRANKSHAFT

PAGE NO.
11 & 12

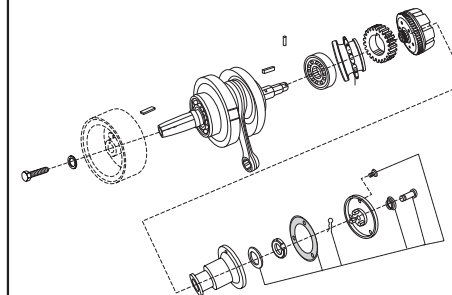


PLATE NO. : 7
Balancer & Balancer Idler Gear

PAGE NO.
13 & 14

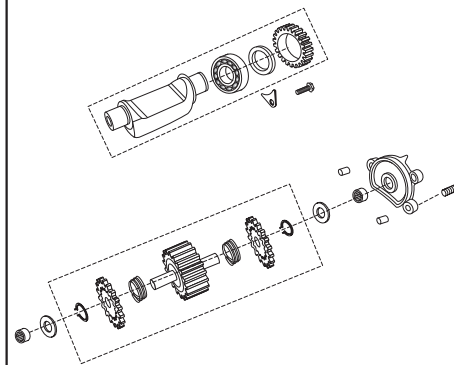
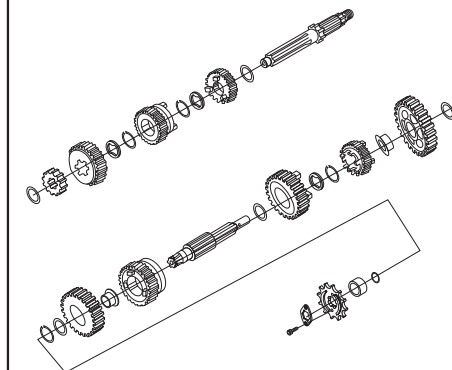


PLATE NO. : 8
CHANGE DRUM / SHIFT FORK

PAGE NO.
15 & 16



Pictorial Index

| | |
|---|---------------------|
| PLATE NO. : 9 Change Drum / Shift Fork | PAGE NO. 17 & 18 |
| | |

| | |
|---|---------------------|
| PLATE NO. : 10 Gear Change Mechanism | PAGE NO. 19 & 20 |
| | |

| | |
|---|---------------------|
| PLATE NO. : 11 Engine Assy. & Crankcase RH | PAGE NO. 21 & 22 |
| | |

| | |
|--------------------------------|---------------------|
| PLATE NO. : 12 Crankcase LH | PAGE NO. 23 & 24 |
| | |

Pictorial Index

| | |
|----------------------------|---------------------|
| PLATE NO. : 13 Cover RH | PAGE NO. 25 & 26 |
| | |

| | |
|---------------------------------|---------------------|
| PLATE NO. : 14 Cover Magneto | PAGE NO. 27 & 28 |
| | |

| | |
|--------------------------|---------------------|
| PLATE NO. : 15 CLUTCH | PAGE NO. 29 & 30 |
| | |

| | |
|-------------------------------|---------------------|
| PLATE NO. : 16 Carburettor | PAGE NO. 31 & 32 |
| | |

Pictorial Index

BAJAJ
Pulsar DTS-i 180

PLATE NO. : 17
Air Cleaner Comp

PAGE NO.
33 & 34

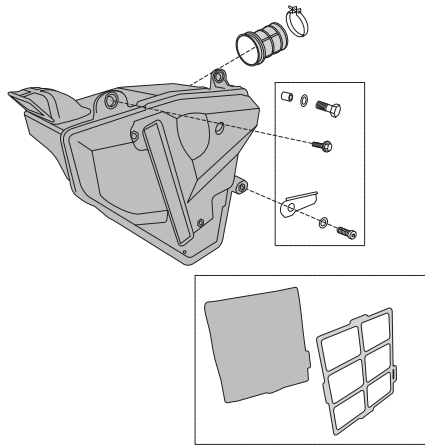


PLATE NO. : 18
Silencer Assly.

PAGE NO.
35 & 36

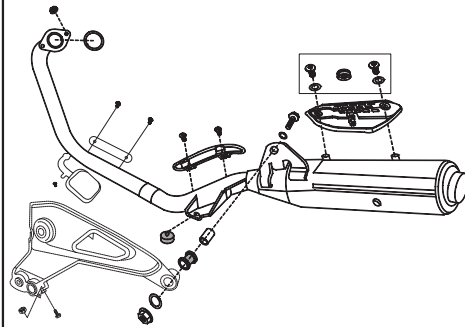


PLATE NO. : 19
Oil Pump

PAGE NO.
37 & 38

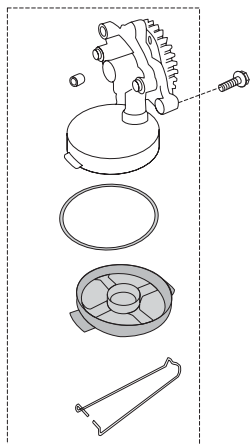
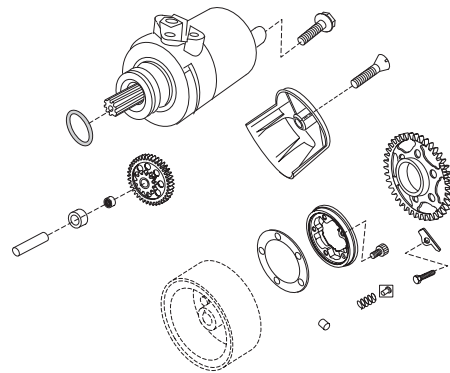


PLATE NO. : 20
Starter Assly.

PAGE NO.
39 & 40



Pictorial Index

BAJAJ
Pulsar DTS-i 180

PLATE NO. : 21
Magneto / C.D.I. /H.T. Coil

PAGE NO.
41 & 42

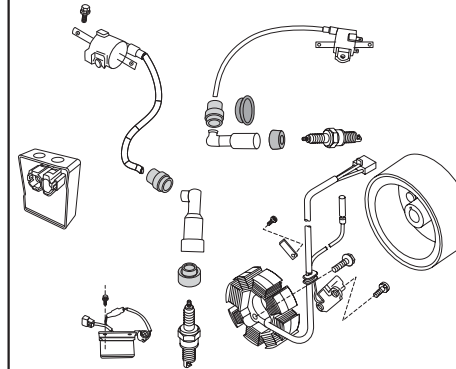


PLATE NO. : 22
Seat Assembly / Seat Lock

PAGE NO.
43 & 44

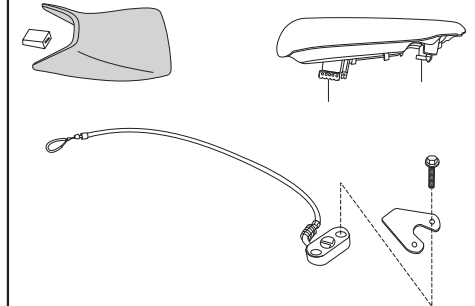


PLATE NO. : 19
Oil Pump

PAGE NO.
37 & 38

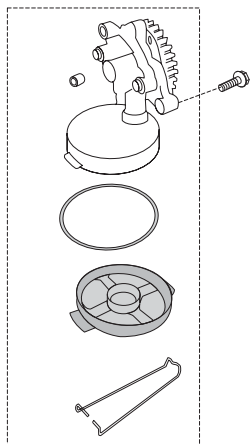


PLATE NO. : 20
Starter Assly.

PAGE NO.
39 & 40

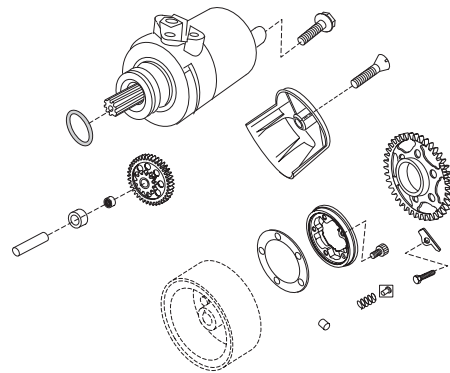


PLATE NO. : 23
Engine Mounting

PAGE NO.
45 & 46

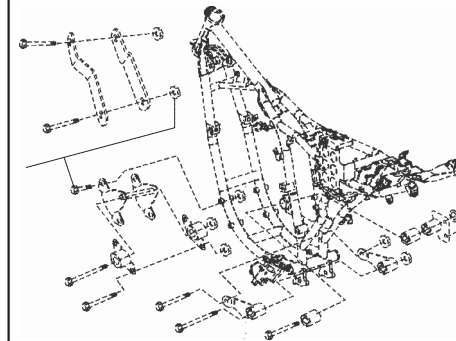
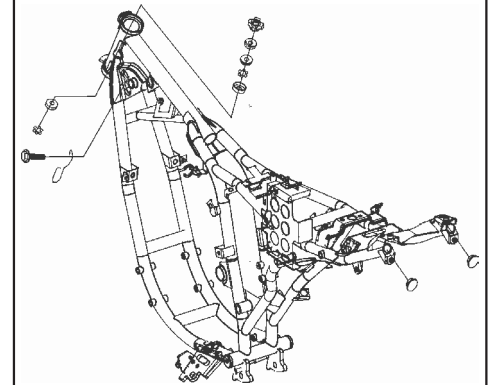


PLATE NO. : 24
Frame & Frame Fittings

PAGE NO.
47 & 48



Pictorial Index

BAJAJ
pulsar DTS-i 180

PLATE NO. : 25
Swing Arm / Rear Shock Absorber

PAGE NO.
49 & 50

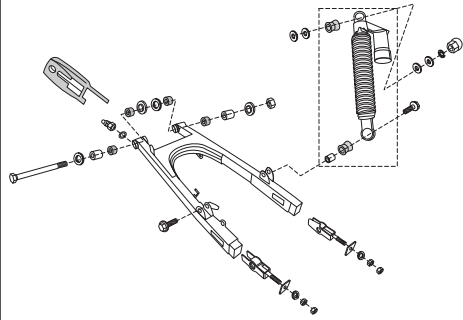


PLATE NO. : 26
Rider Foot Rest

PAGE NO.
51 & 52

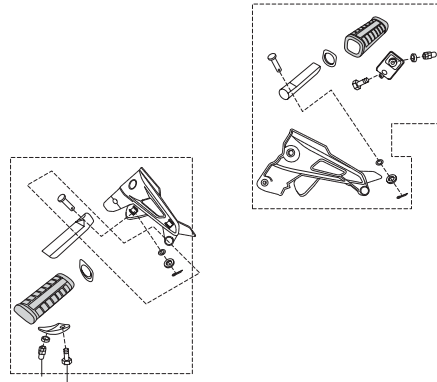


PLATE NO. : 27
Pillion Foot Rest / Holder

PAGE NO.
53 & 54

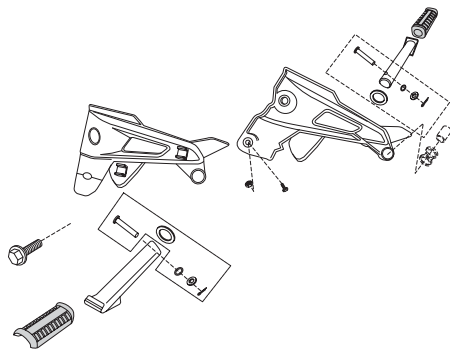
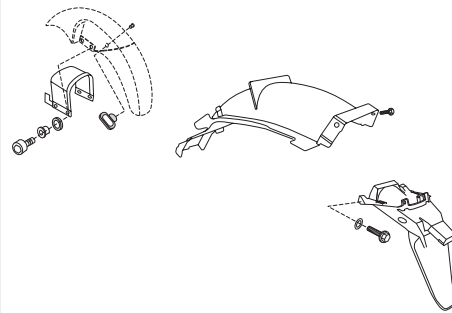


PLATE NO. : 28
Mudguard - Front & Rear

PAGE NO.
55 & 56



Pictorial Index

BAJAJ
pulsar DTS-i 180

PLATE NO. : 29
Stand Assembly

PAGE NO.
57 & 58

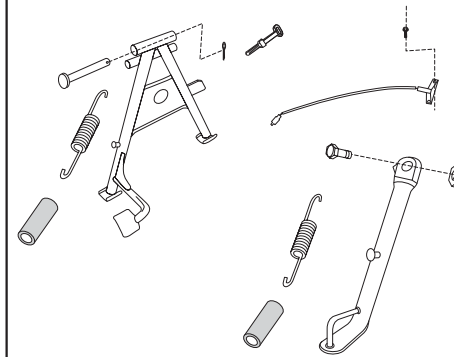


PLATE NO. : 30
Tube / Tyre / Rim

PAGE NO.
59 & 60



PLATE NO. : 27
Pillion Foot Rest / Holder

PAGE NO.
53 & 54

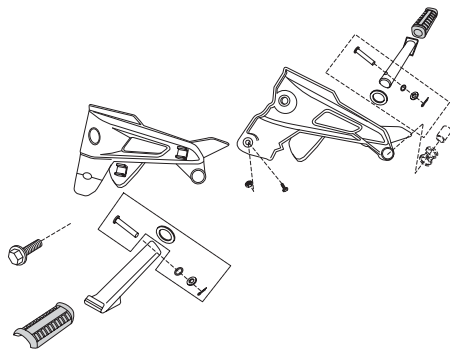


PLATE NO. : 28
Mudguard - Front & Rear

PAGE NO.
55 & 56

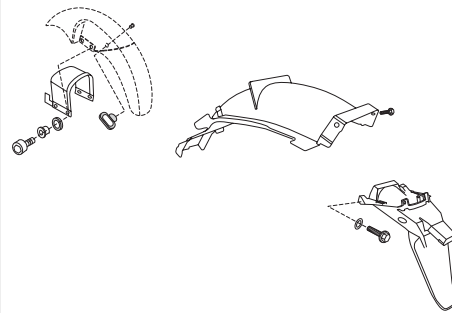


PLATE NO. : 31
Front Hub (For Disc Brake System)

PAGE NO.
61 & 62

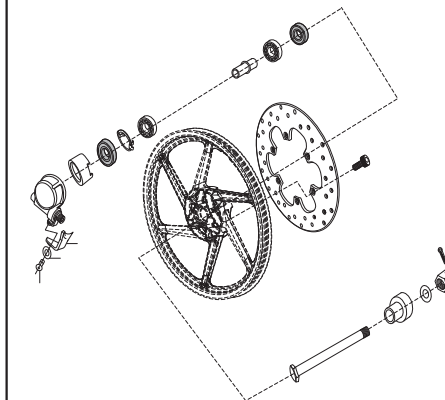
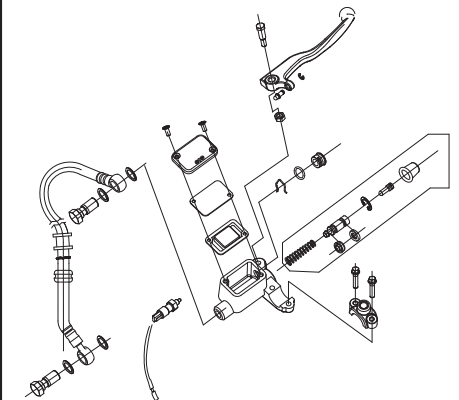


PLATE NO. : 32
Front Master Cylinder

PAGE NO.
63 & 64



Pictorial Index

PLATE NO. : 33
Front Disc Brake

PAGE NO.
65 & 66

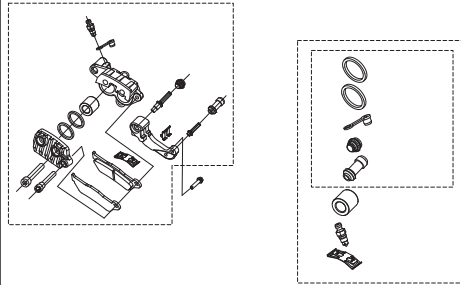


PLATE NO. : 34
Rear Hub

PAGE NO.
67 & 68

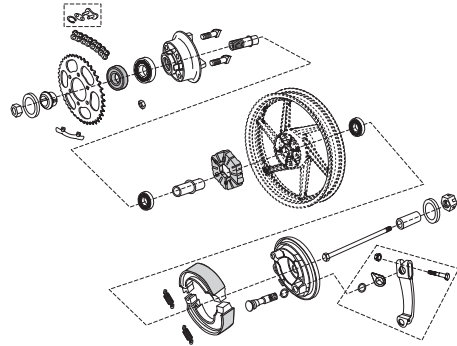


PLATE NO. : 35
Rear Brake Padal

PAGE NO.
69 & 70

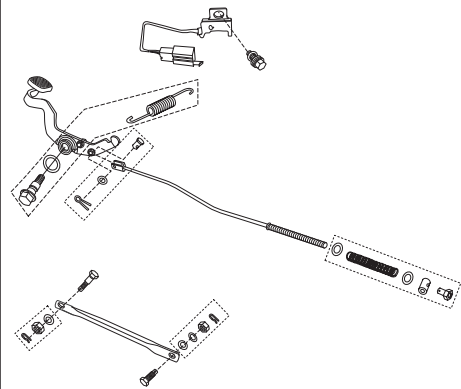
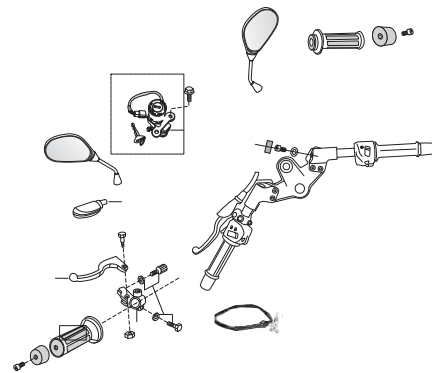


PLATE NO. : 36
Handle Bar

PAGE NO.
71 & 72



Pictorial Index

PLATE NO. : 37
Front Fork

PAGE NO.
73 & 75

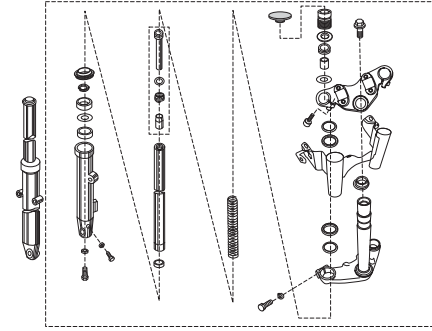


PLATE NO. : 38
Painted Parts & Decals

PAGE NO.
75/76/77/78

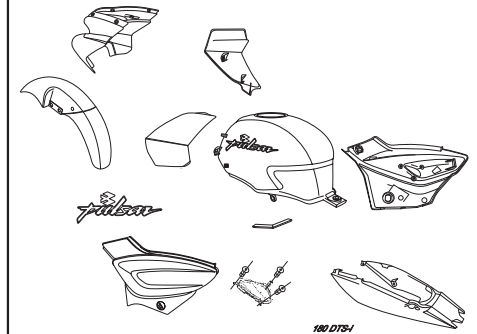


PLATE NO. : 39
Petrol Cock, Cap Tank & Gauge Fuel

PAGE NO.
79 & 80

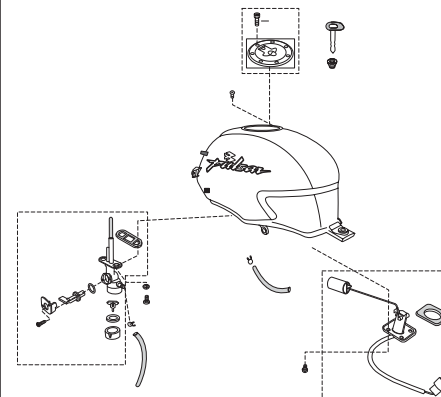
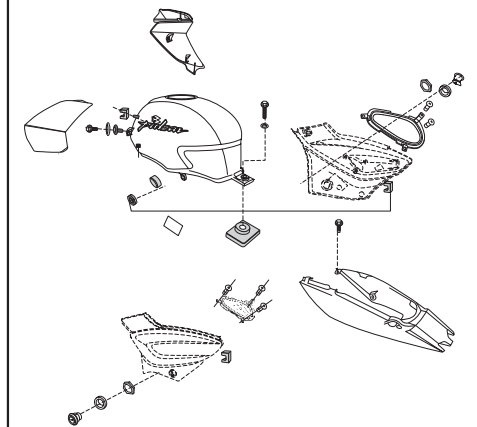


PLATE NO. : 40
Fitting Petrol Tank Spoiler, Side Cover, Seat Cover

PAGE NO.
81 & 82



Pictorial Index

PLATE NO. : 41
Meter Assly

PAGE NO.
83 & 84

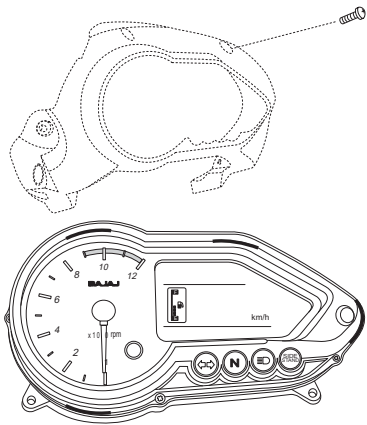


PLATE NO. : 42
Control Cables

PAGE NO.
85 & 86

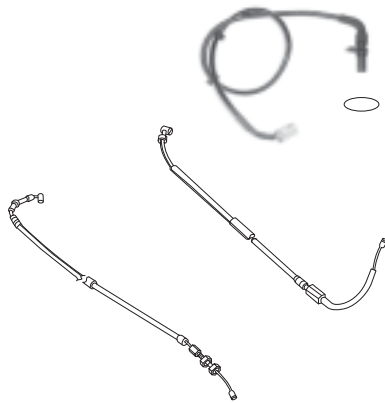


PLATE NO. : 43
Chain Cover

PAGE NO.
87 & 88

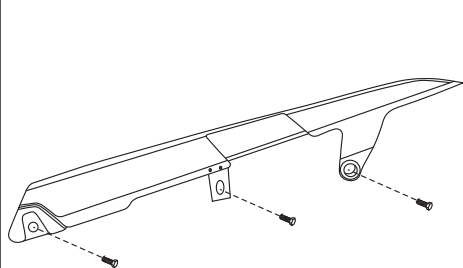
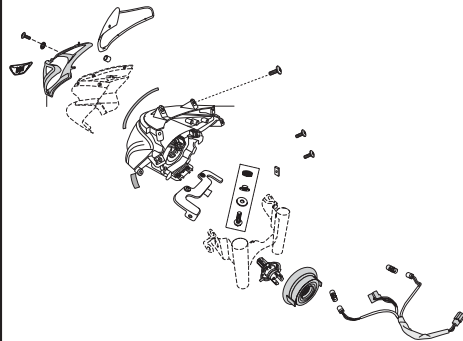


PLATE NO. : 44
Head Lamp & Fairing

PAGE NO.
89 & 90



Pictorial Index

PLATE NO. : 45
Indicator Light Assly

PAGE NO.
91 & 92

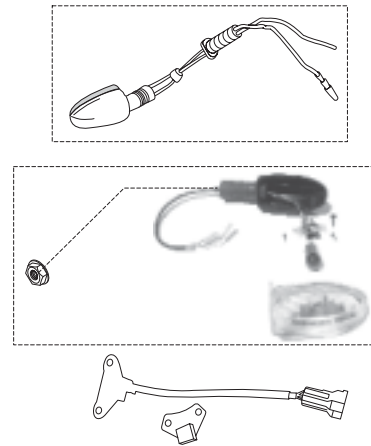


PLATE NO. : 46
Tail Lamp Assly / Front & Rear No.Plates

PAGE NO.
93 & 94

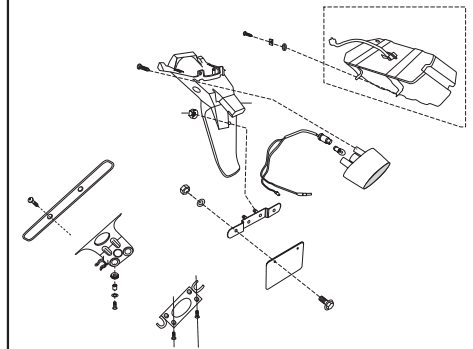


PLATE NO. : 47
Electrical Components

PAGE NO.
95 & 96

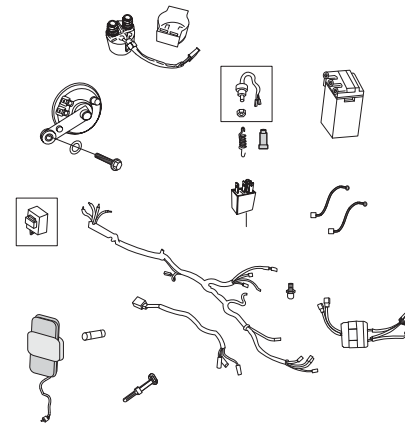


PLATE NO. : 48
Tool Kit

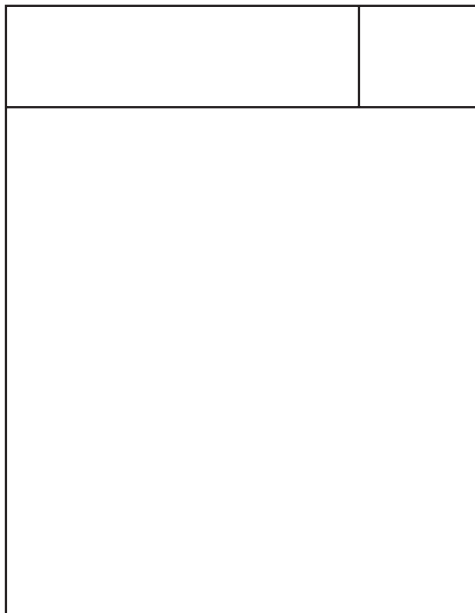
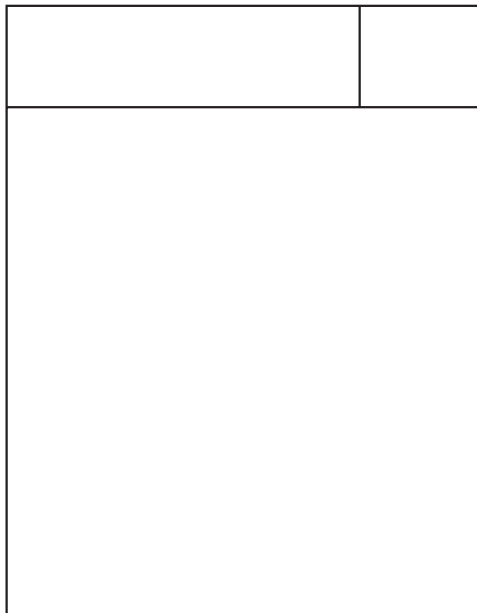
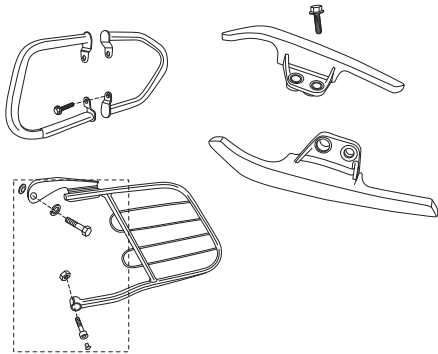
PAGE NO.
97 & 98



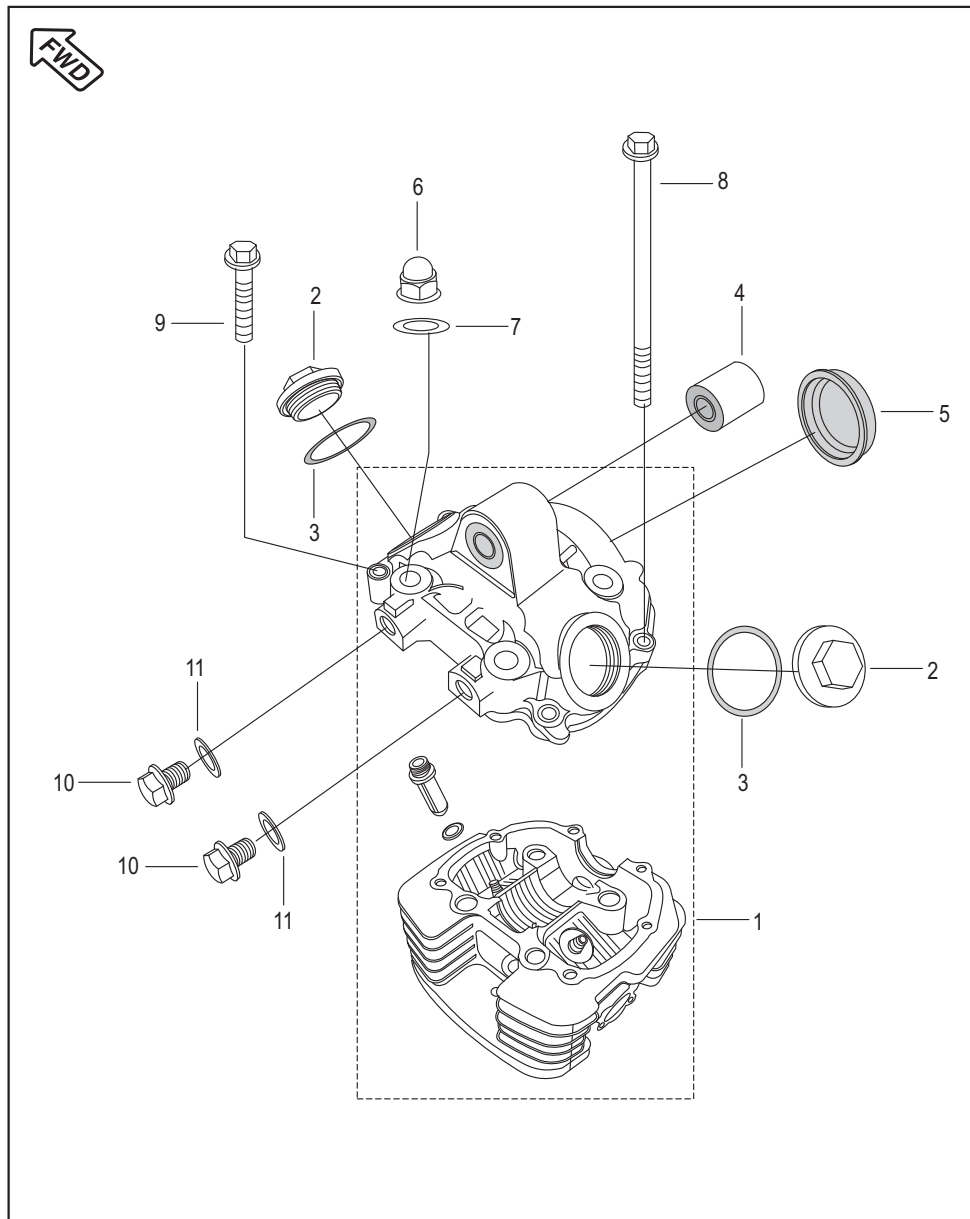
Pictorial Index

PLATE NO. : 49
Accessories / Grab Handle

PAGE NO.
99 & 100

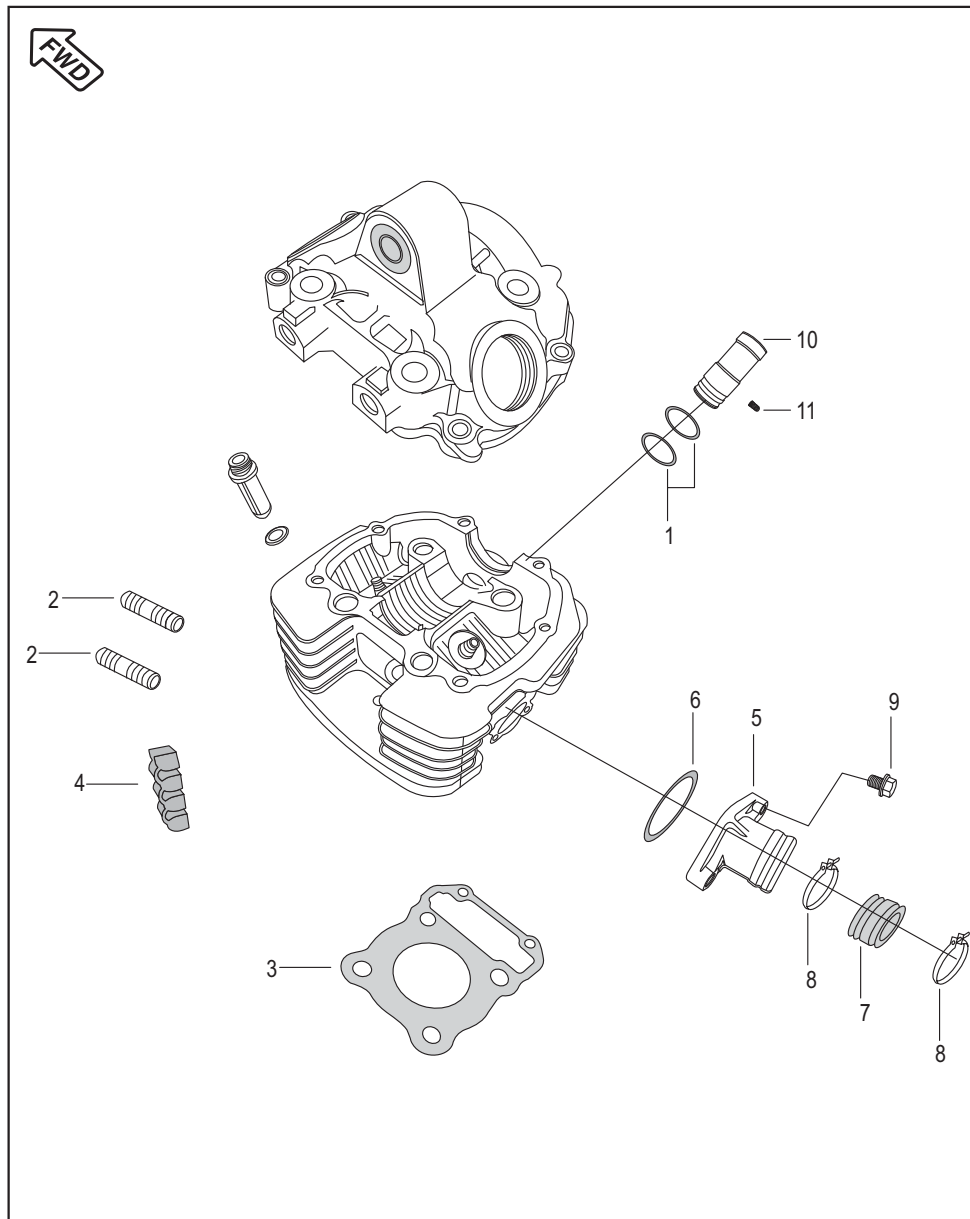


Cover Cylinder Head

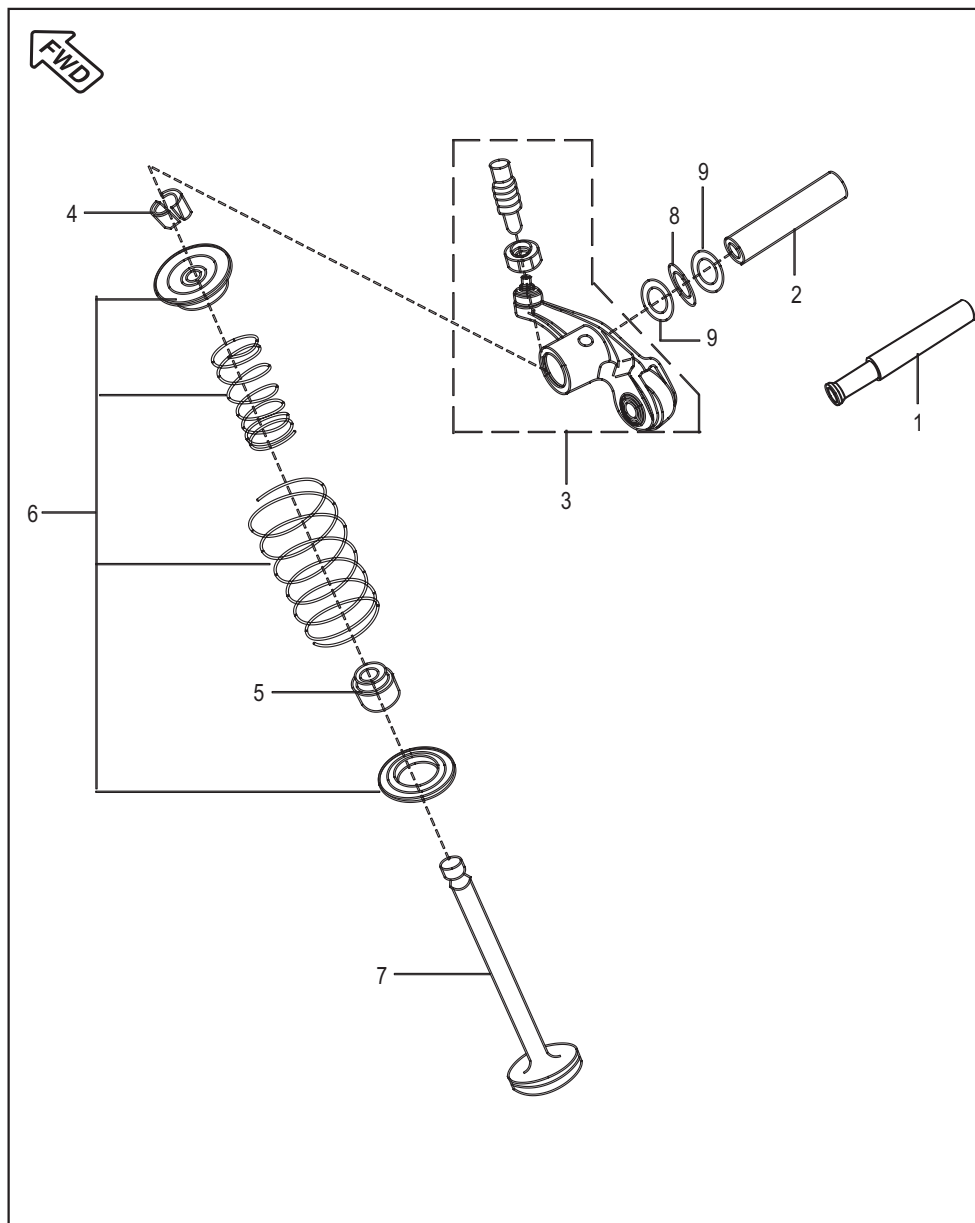


| No. | Part No. | Description | Qty. /Veh. | Remarks |
|-----|------------|------------------------------------|------------|--------------------|
| 1 | DJ 1013 90 | Head Cylinder with Cover | 1 | |
| | 36 DJ40 34 | Head Cylinder with Cover (W/o NRB) | 1 | From Eng, BUG20501 |
| 2 | DJ 1012 17 | Cover Tappet | 2 | |
| 3 | 36 DS10 01 | 'O' Ring Kit for Cover Cyl. Head | 1 | Ref. Page No.101 |
| 4 | DS 1011 66 | Silent Bush | 1 | |
| 5 | DS 1010 96 | Camshaft Cap | 1 | |
| 6 | 39 2647 15 | Domed Cap Nut | 4 | |
| 7 | DS 1010 84 | Copper Washer | 4 | |
| 8 | 39 2532 04 | Hex. Bolt with Flange | 2 | |
| 9 | 39 1075 04 | Hex. Bolt / Flange | 4 | |
| 10 | DH 1012 72 | Plug | 2 | |
| 11 | DG 1014 98 | Gasket | 2 | |

Cylinder Head



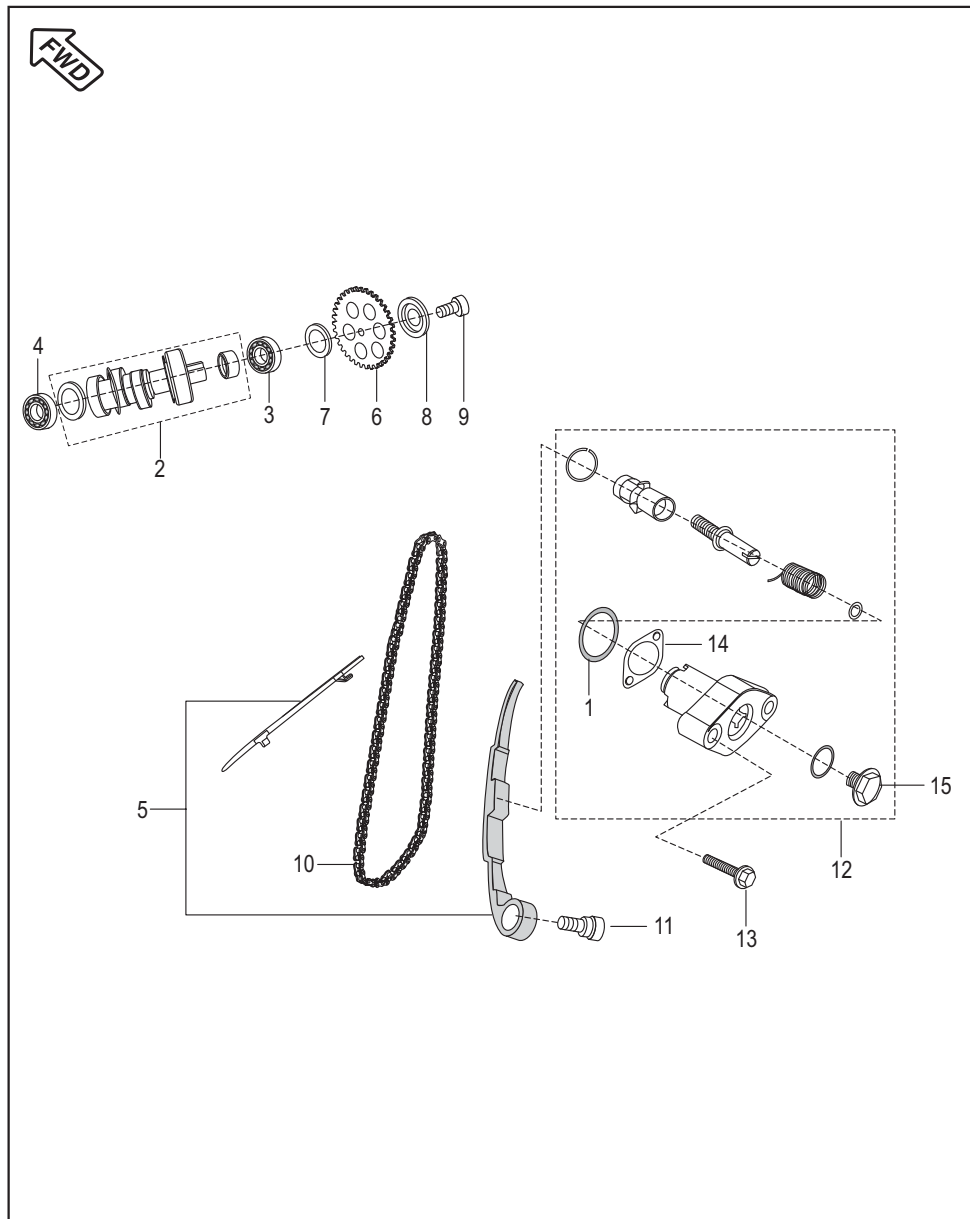
| No. | Part No. | Description | Qty. /Veh. | Remarks |
|-----|------------|----------------------------------|------------|------------------|
| 1 | 36 DS10 01 | 'O' Ring Kit for Cover Cyl. Head | 1 | Ref. Page No.101 |
| 2 | 39 1660 05 | Stud (Exhaust) | 2 | |
| 3 | DJ 1010 12 | Gasket Cylinder Head | 1 | |
| 4 | DH 1015 08 | Damper Cylinder Head | 5 | |
| 5 | DJ 1012 15 | Intake Pipe | 1 | N.S |
| 6 | 39 2539 21 | 'O' Ring (Intake Pipe) | 1 | |
| 7 | DJ 1210 22 | Carburettor Insulator | 1 | |
| 8 | DH 1210 38 | Clamp for Insulator | 2 | |
| 9 | 39 1674 04 | Hex. Bolt / Flange | 2 | |
| 10 | DH 1110 12 | Sleeve - Spark Plug | 1 | |
| 11 | 39 2608 01 | Grub Screw | 1 | |



Valve

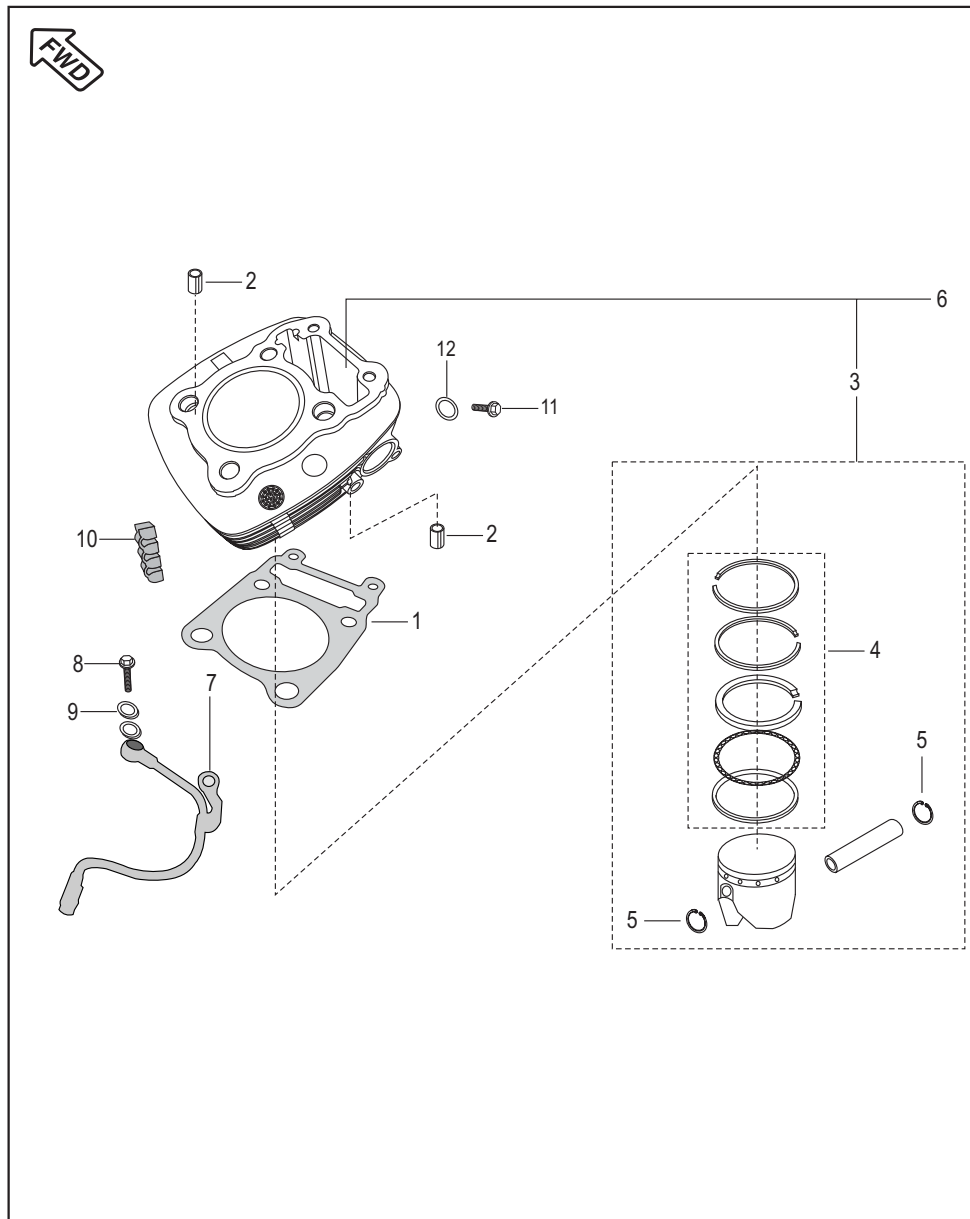
| No. | Part No. | Description | Qty./Veh. | Remarks |
|-----|------------|------------------------------------|-----------|-------------------|
| 1 | DS 1013 35 | Rocker Arm Shaft - Intake | 1 | |
| | DK 1017 48 | Rocker Arm Shaft - Intake W/o NRB | 1 | From Eng,BUG20501 |
| 2 | DS 1013 36 | Rocker Arm Shaft - Exhaust | 1 | |
| | DK 1017 51 | Rocker Arm Shaft - Exhaust W/o NRB | 1 | From Eng,BUG20501 |
| 3 | DS 1013 33 | Rocker Arm with roller | 2 | |
| | DK 1017 55 | Rocker Arm | 2 | From Eng,BUG20501 |
| 4 | DG 1010 29 | Cotter valve | 4 | |
| 5 | 39 2017 19 | Seal valve stem | 2 | |
| 6 | DK 1013 26 | Valve Repair Kit | 1 | Ref. Page No.101 |
| 7 | 36 DJ10 04 | Valve Kit | 1 | Ref. Page No.101 |
| 8 | DS 1013 66 | Wave washer | 2 | |
| | DH 1012 95 | Wave washer | 2 | From Eng,BUG20501 |
| 9 | 59 1100 02 | Plain washer | 4 | |
| | 39 2440 11 | Plain Washer | 4 | From Eng,BUG20501 |

Camshaft / Tensioner



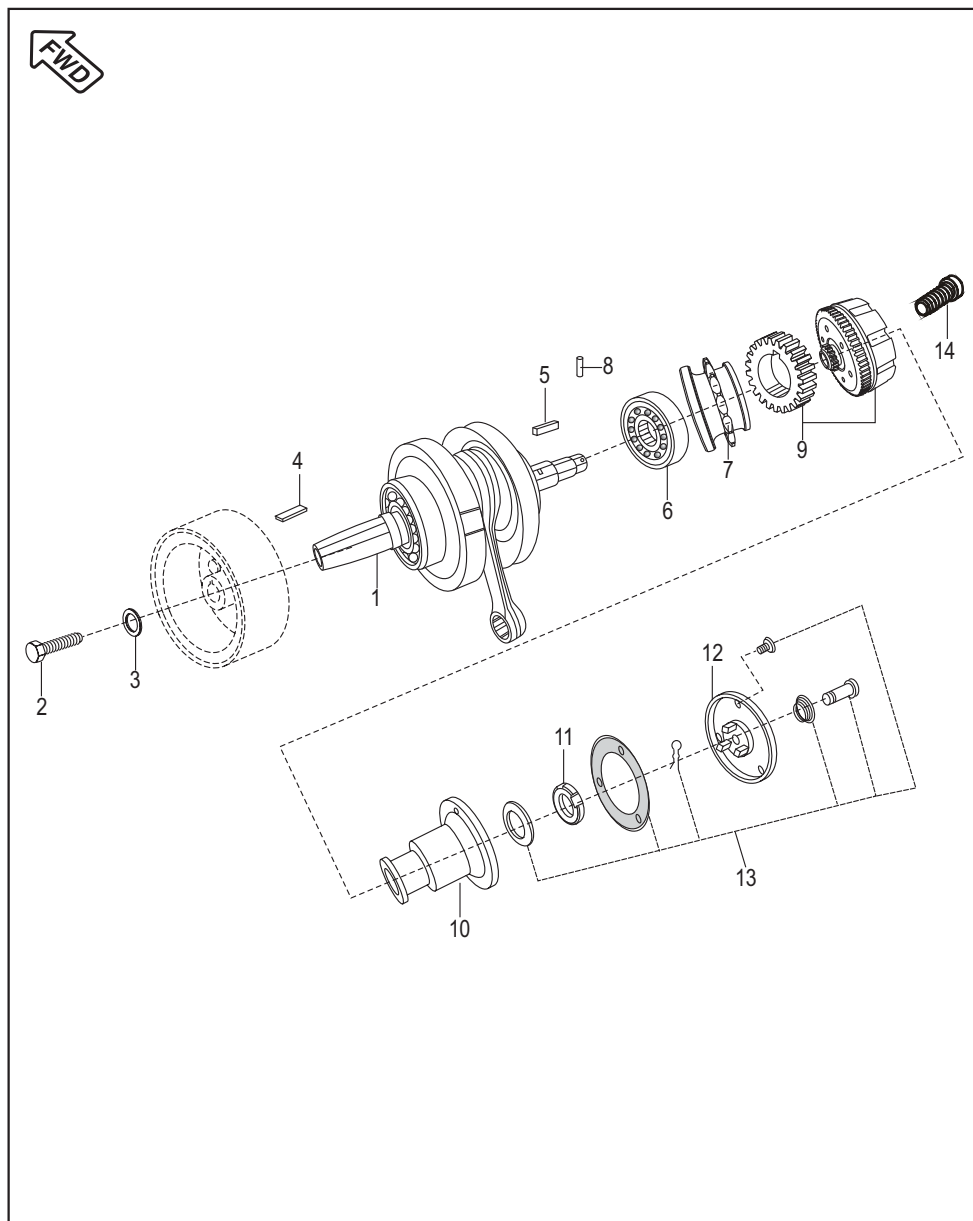
| No. | Part No. | Description | Qty. /Veh. | Remarks |
|-----|------------|---------------------------------------|------------|------------------|
| 1 | 39 2669 21 | Ring 'O' | 1 | |
| | CS 1011 28 | Ring 'O' | 1 | |
| 2 | DJ 1013 73 | Camshaft Assembly | 1 | |
| 3 | JC 1010 86 | Bearing Ball 6302 RS1/C3H | 1 | |
| | 39 2542 20 | Bearing - Ball-15X42X13 | 1 | |
| 4 | 39 1880 20 | Bearing Ball :- 15 X 32 X 9 (6002-C3) | 1 | N.S |
| | 39 2617 20 | Bearing Ball :- 15 X 32 X 9 (6002-C3) | 1 | |
| 5 | 36 DH40 30 | Guide Chain Kit | 1 | |
| 6 | DS 1012 76 | Sprocket cam Driven (32 T) | 1 | |
| | PD 5112 29 | Sprocket cam Driven | 1 | Ref. Cir. IB-224 |
| 7 | DH 1014 12 | Collar cam Sprocket | 1 | |
| 8 | DH 1010 48 | Special camshaft washer | 1 | |
| 9 | DK 1013 86 | Pre Coated Socket Head Cap Bolt M8x40 | 1 | |
| | 59 0400 31 | Pre Coated Socket Head Cap Bolt M8x40 | 1 | N.S |
| 10 | JC 1010 35 | Cam Chain | 1 | |
| 11 | DH 1013 92 | Cam chain Tensioner pivot Bolt | 1 | |
| 12 | JC 1010 34 | Tensioner Assly | 1 | |
| 13 | 39 1673 04 | Hex Bolt / Flange | 2 | |
| 14 | CS 1011 28 | Tensioner assly. gasket | 1 | |
| 15 | DD 1010 62 | Bolt | 1 | |

Cylinder and Piston



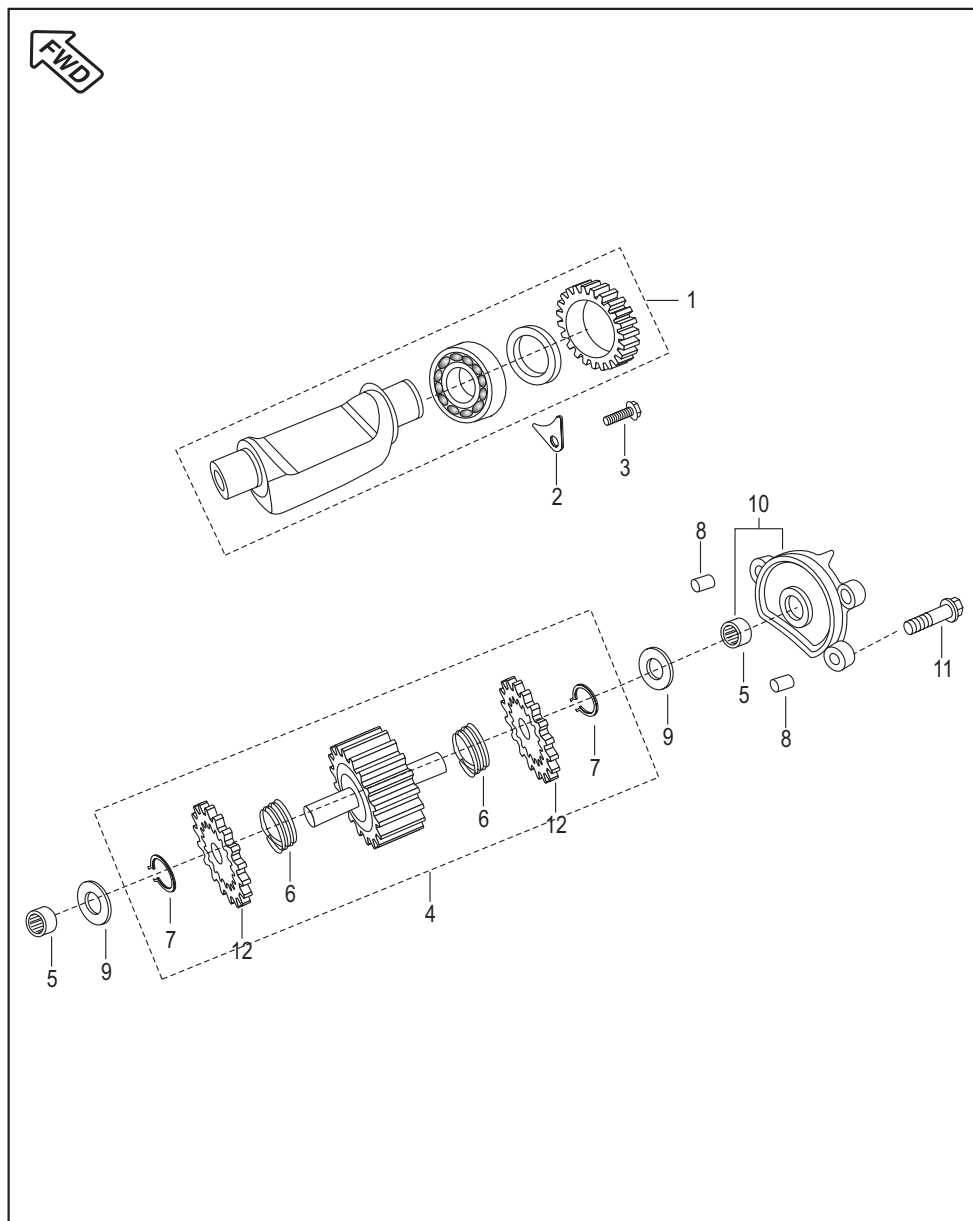
| No. | Part No. | Description | Qty. /Veh. | Remarks |
|-----|------------|--------------------------------|------------|---------|
| 1 | DJ 1010 04 | Gasket Cylinder | 1 | |
| 2 | 39 2181 06 | Pin dowel | 4 | |
| 3 | DJ 1011 58 | Piston Assy. Std. | 1 | |
| 4 | DJ 1011 06 | Ring Set Piston | 1 | |
| 5 | 39 2132 17 | Ring Snap | 2 | |
| 6 | DJ 1013 71 | Cylinder Block / Piston Assly | 1 | |
| 7 | DK 1015 92 | Oil Pipe Assly | 1 | |
| 8 | DD 1210 07 | Bolt Special | 2 | |
| 9 | 31 1210 06 | Gasket | 4 | |
| 10 | DH 1014 14 | Damper | 6 | |
| 11 | 39 1689 04 | Bolt (dummy for Temp sensor) | 1 | |
| 12 | 39 2448 11 | Washer (dummy for Temp sensor) | 1 | N.S |

Crankshaft



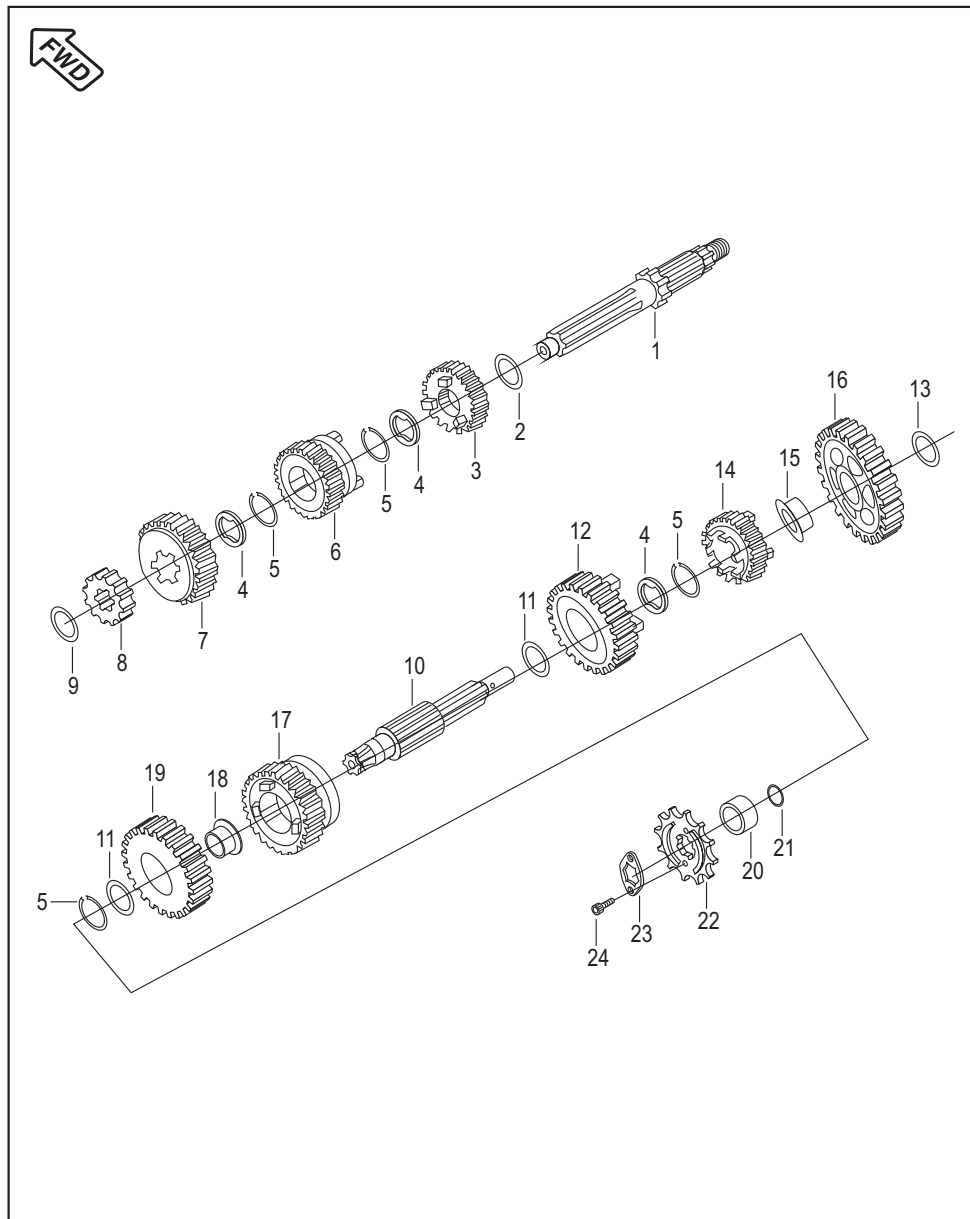
| No. | Part No. | Description | Qty. /Veh. | Remarks |
|-----|------------|------------------------------|------------|------------------|
| 1 | JC 1010 01 | Crankshaft assly. comp. | 1 | |
| 2 | 39 2183 04 | Bolt | 1 | N.S |
| | DH 1013 96 | Bolt | 1 | Alternate |
| 3 | 39 2165 11 | Plain washer | 1 | |
| 4 | 31 1011 73 | Key woodruff | 1 | |
| 5 | DS 1011 54 | Square Key | 1 | |
| 6 | 39 1931 20 | Bearing Ball | 1 | |
| 7 | DK 1012 48 | Sprocket cam drive | 1 | |
| | PD 5310 29 | Sprocket cam drive | 1 | Ref. Cir. IB-224 |
| 8 | 39 2203 07 | Parallel pin | 1 | |
| 9 | 36 DK00 38 | Set primary driver & driven | 1 | Ref. Page No.101 |
| 10 | DH 1010 64 | Body centrifugal oil filter | 1 | |
| 11 | DH 1011 95 | Nut | 1 | 7mm. (Height) |
| 12 | DH 1010 65 | Cover centrifugal oil filter | 1 | |
| 13 | 36 DH40 19 | Kit centrifugal oil filter | 1 | Ref. Page No.101 |
| 14 | DK 1014 80 | Oil plunger | 1 | |

Balancer & Balancer Idler Gear



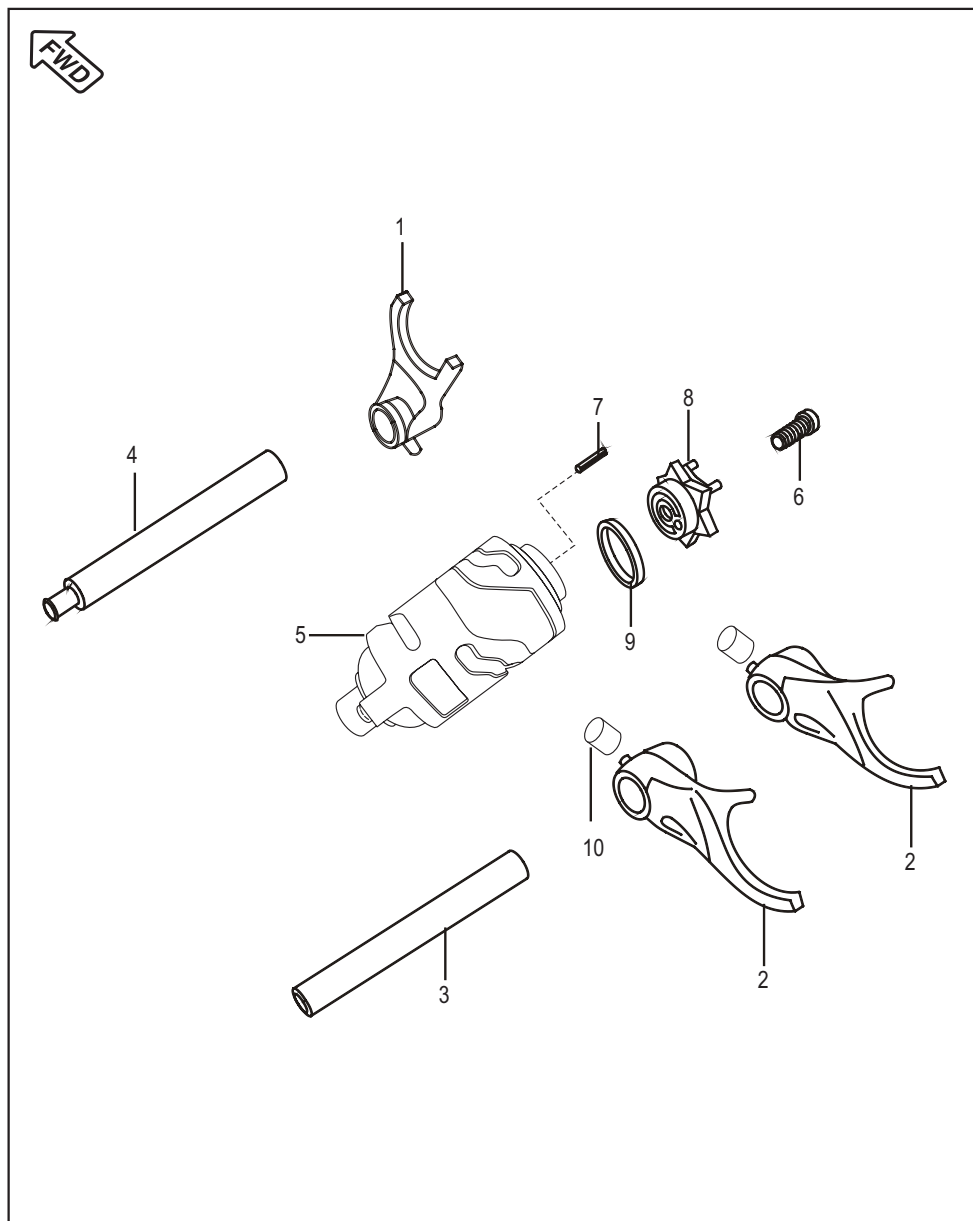
| No. | Part No. | Description | Qty. /Veh. | Remarks |
|-----|------------|----------------------------------|------------|----------------------|
| 1 | DJ 9025 03 | Body Balancer Assly. | 1 | |
| | DJ 1016 89 | Body Balancer Assly. | 1 | from Eng.DJZCCG36058 |
| 2 | DH 1010 72 | Bearing stopper | 1 | |
| 3 | 39 1672 04 | Bolt | 1 | |
| 4 | DH 1020 53 | Assly. Balancer Idler Gear comp. | 1 | |
| 5 | 39 2152 20 | Needle roller bearing | 2 | |
| 6 | DH 1014 24 | Spring torsion Balancer Idler | 2 | |
| 7 | 39 2557 17 | Circlip ext. | 2 | |
| 8 | 39 1686 06 | Dowel Pin | 2 | |
| 9 | 39 1620 11 | Thrust washer | 2 | |
| 10 | 52 DH01 77 | Balancer Idler Holder | 1 | |
| 11 | 39 1674 04 | Bolt | 3 | |
| 12 | DH 1013 73 | Scissor Balancer Idler | 2 | |

Transmission

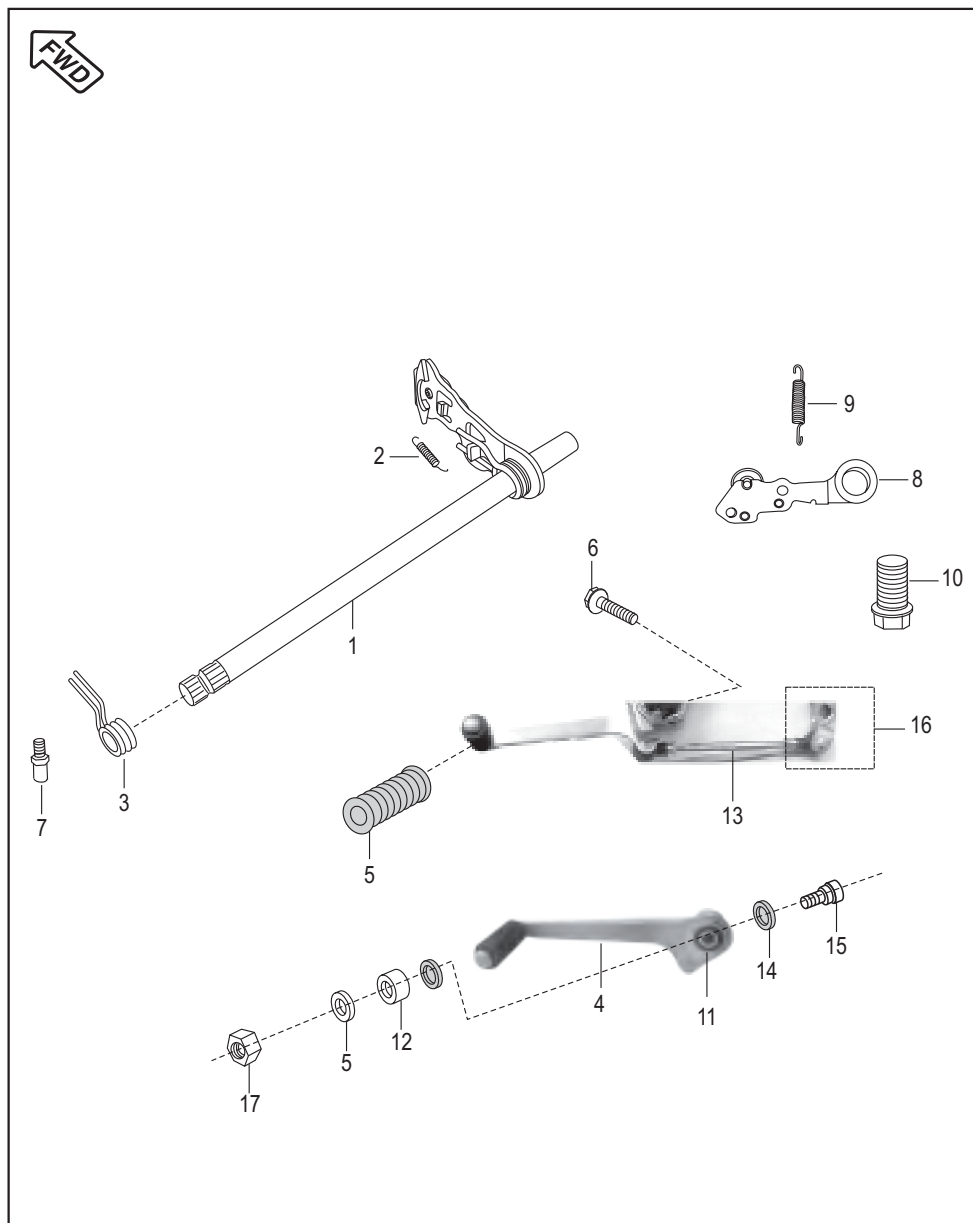


| No. | Part No. | Description | Qty. /Veh. | Remarks |
|-----|------------|---------------------------|------------|-----------|
| 1 | DK 1014 71 | Shaft Input Transmission | 1 | |
| 2 | 39 2158 11 | Washer Plain | 1 | |
| 3 | DK 1011 03 | Gear 4th Drive | 1 | |
| 4 | DH 1010 79 | Washer Spline | 3 | |
| 5 | DH 1012 35 | External Circlip | 4 | |
| 6 | DK 1011 02 | Gear 3rd Drive | 1 | |
| 7 | DK 1011 04 | Gear 5th drive | 1 | |
| 8 | DH 1010 84 | Gear 2nd drive | 1 | |
| 9 | 39 2160 11 | Thrust washer | 1 | |
| 10 | DK 1011 44 | Shaft output Transmission | 1 | |
| 11 | DH 1013 36 | Washer Plain | 2 | |
| | 39 2166 11 | Washer Plain | 2 | Alternate |
| 12 | DK 1011 05 | Gear 3rd Driven | 1 | |
| 13 | 39 2159 11 | Thrust Washer | 1 | |
| 14 | DK 1011 06 | Gear 4th Driven | 1 | N.S |
| | DK 1017 18 | Gear 4th Driven | 1 | Alternate |
| 15 | DH 1011 11 | Bush 1st driven | 1 | |
| 16 | DK 1011 18 | Gear 1st driven | 1 | N.S |
| | DK 1017 17 | Gear 1st driven | 1 | |
| 17 | DK 1017 21 | Gear 5th Driven | 1 | |
| 18 | DH 1013 19 | Bush 2nd driven | 1 | |
| 19 | DH 1013 33 | Gear 2nd Driven | 1 | |
| | DK 1017 19 | Gear 2nd Driven | 1 | |
| 20 | DK 1012 45 | Collar Sprocket | 1 | |
| 21 | DK 1013 52 | 'O' Ring Sprocket Collar | 1 | |
| 22 | DV 1010 48 | Sprocket Drive | 1 | |
| 23 | DJ 1010 63 | Plate Drive Sprocket | 1 | |
| 24 | AA 1014 37 | Screw Pre Coated | 2 | |
| | DJ 1013 00 | Bolt Drive Sprocket | 2 | |

Change Drum / Shift Fork



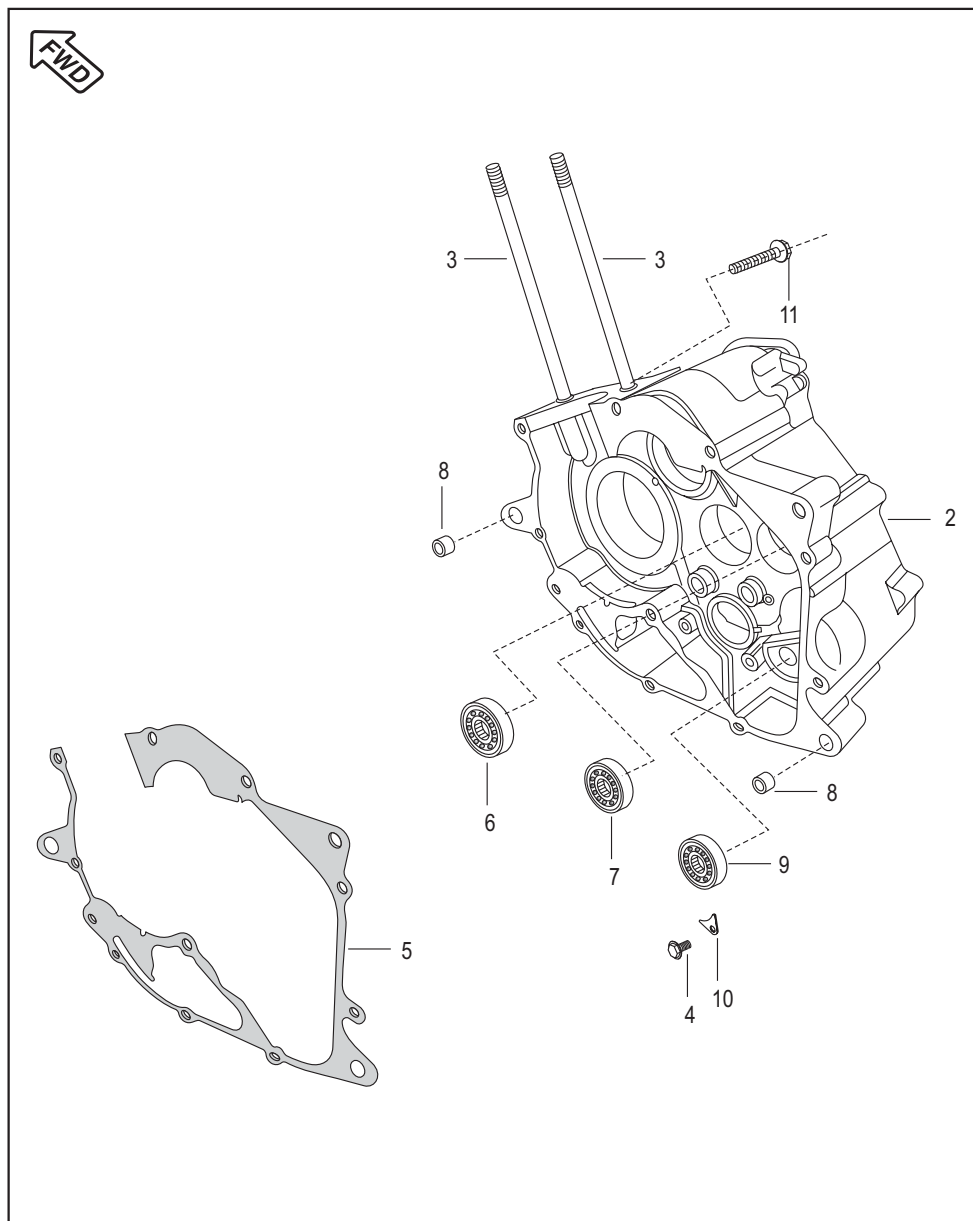
| No. | Part No. | Description | Qty. /Veh. | Remarks |
|-----|------------|------------------------|------------|-------------|
| 1 | DK 1011 59 | Fork Gear Shift Input | 1 | |
| | DK 1011 33 | Fork Gear Shift Input | 1 | |
| 2 | DK 1011 60 | Fork Gear Shift output | 2 | |
| | DK 1011 34 | Fork Gear Shift output | 2 | |
| 3 | DH 1011 46 | Shaft Gear Shift Fork | 1 | |
| 4 | DH 1014 93 | Shaft Gear Shift Fork | 1 | |
| 5 | DK 1013 82 | Drum comp. Gear Shift | 1 | |
| | DK 1017 32 | Drum comp. Gear Shift | 1 | |
| 6 | 39 2639 04 | Bolt Socket | 1 | N.S |
| 7 | 39 2606 07 | Parellel pin | 1 | |
| 8 | DK 1013 61 | Guide Gear Shifter | 1 | |
| | DH 1021 89 | Guide Gear Shifter | 1 | from Aug 16 |
| 9 | DH 1014 96 | Spacer | 1 | |
| 10 | DK 1011 35 | Bush fork gear shift | 3 | |



Gear Change Mechanism

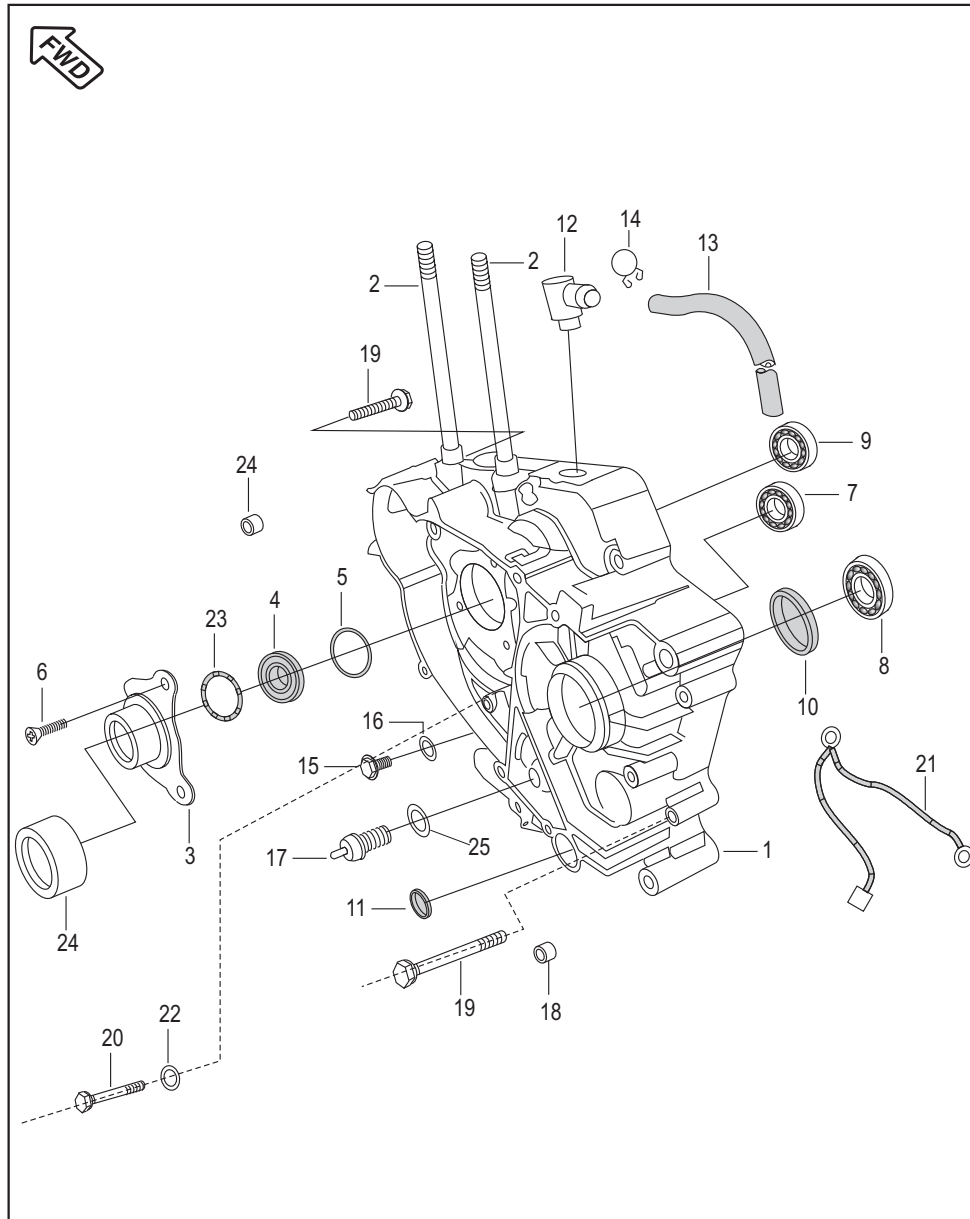
| No. | Part No. | Description | Qty. /Veh. | Remarks |
|-----|------------|----------------------------------|------------|--------------------|
| 1 | DH 1017 05 | Lever comp. Gear Shifter | 1 | |
| | DH 1017 22 | Lever comp. Gear Shifter | 1 | |
| 2 | DH 1011 43 | Spring Slider Arm Reset | 1 | |
| 3 | DH 1011 44 | Spring Gear Shifter Return | 1 | |
| | DK 1017 22 | Spring Gear Shifter Return | 1 | |
| 4 | DK 1011 82 | Lever gear shift | 1 | |
| 5 | DH 1015 09 | Damper | 1 | |
| 6 | 39 2453 04 | Flanged Bolt | 1 | n.s |
| | 39 1902 04 | Flanged Bolt | 1 | Alt. For. 39245304 |
| 7 | DH 1013 93 | Bolt Gear Shift drum Stopper | 1 | |
| 8 | DH 1015 03 | Stopper Gear Shifter Drum | 1 | N.S |
| | DK 1017 25 | Stopper Gear Shifter Drum | 1 | Alternate |
| 9 | DK 1012 53 | Spring Gear Shifter Drum Stopper | 1 | |
| 10 | DH 1013 94 | Bolt Shift Change | 1 | |
| 11 | 39 1998 19 | Oil seal | 2 | |
| 12 | DK 1011 87 | Collar | 1 | |
| 13 | DK 1011 80 | Assembly tie rod | 1 | |
| 14 | DK 1011 85 | Washer pivot | 1 | |
| 15 | DK 1011 86 | Pivot bolt | 1 | |
| 16 | DK 1011 77 | Assembly lever change arm | 1 | |
| 17 | 39 2383 15 | Flange Nut | 1 | |

Engine Assly. & Crankcase RH

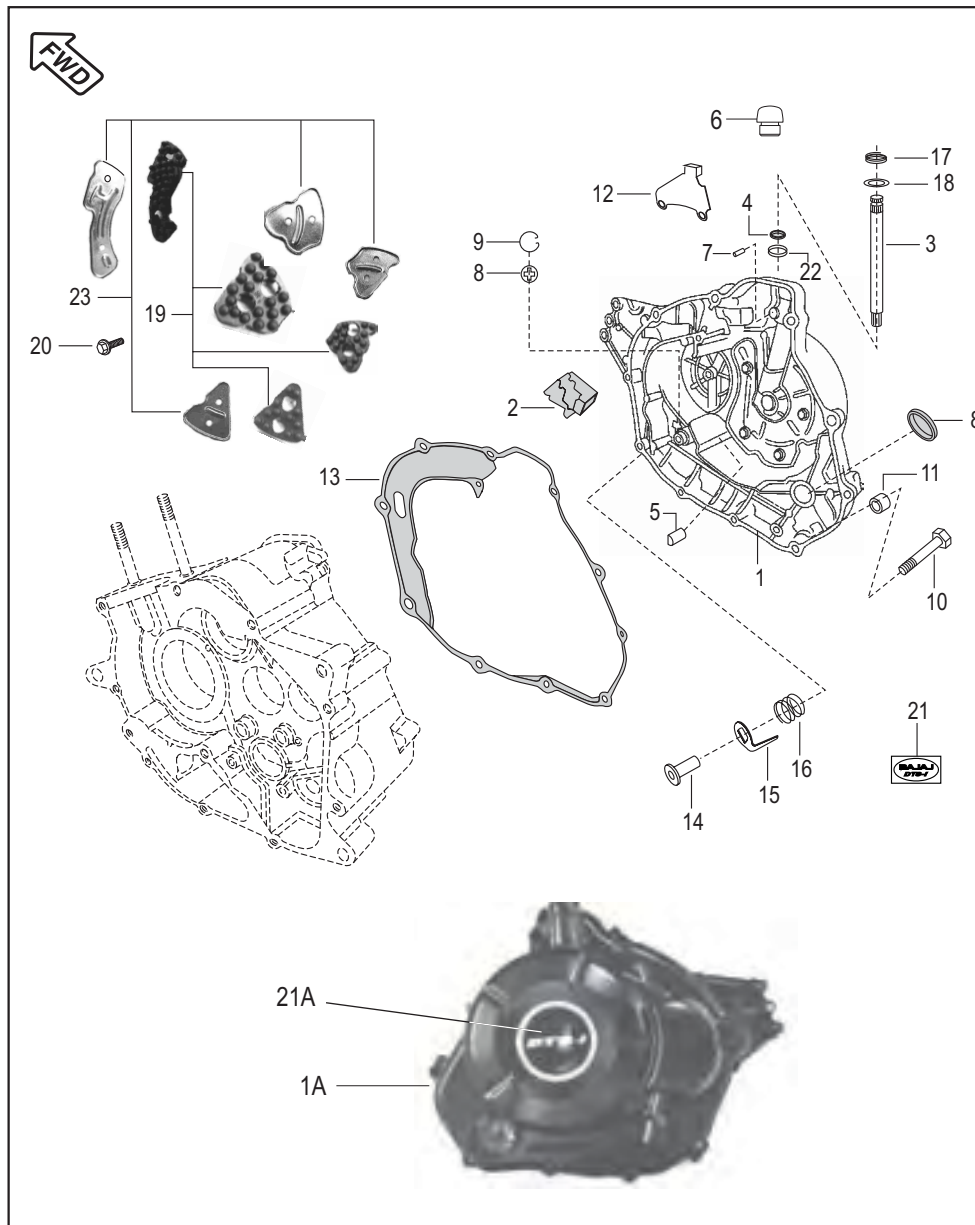


| No. | Part No. | Description | Qty. /Veh. | Remarks |
|-----|------------|--|------------|------------|
| 1 | DJ 1013 89 | Engine Assly. with starter motor | 1 | N.I. |
| | DJ 1016 72 | Engine Assly. with Starter motor | 1 | MLT Silver |
| 2 | JC 1010 29 | Crankcase RH | 1 | |
| 3 | 59 0500 08 | Stud | 2 | |
| 4 | DH 1013 83 | Screw Pre Coated | 1 | |
| | AA 1014 37 | Screw Pre Coated | 1 | Alternate |
| 5 | DH 1010 06 | Gasket Crankcase | 1 | |
| 6 | 39 2583 20 | Bearing Ball (For Input shaft) | 1 | |
| 7 | 59 2000 27 | Needle Roller Bearing (For Output shaft) | 1 | |
| 8 | 39 2180 06 | Dowel Pin | 2 | |
| 9 | 39 2601 20 | Ball Bearing | 1 | |
| 10 | DH 1014 87 | Plate Stopper | 1 | |
| 11 | 39 1845 04 | Flange Bolt | 1 | |

Crankcase LH

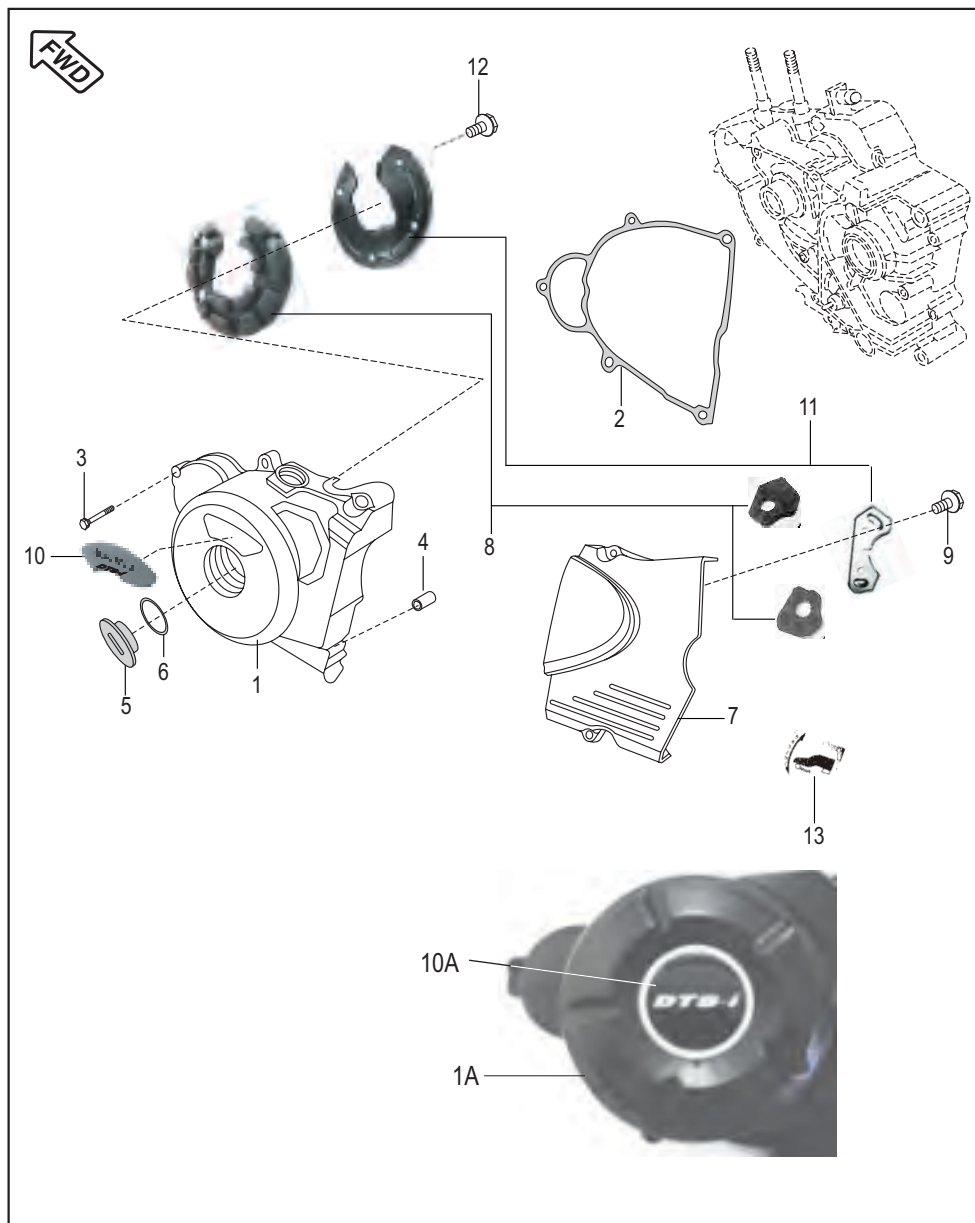


| No. | Part No. | Description | Qty. /Veh. | Remarks |
|-----|------------|-----------------------------------|------------|-----------------------|
| 1 | JC 1010 45 | Crankcase LH | 1 | |
| 2 | 59 0500 08 | Stud | 2 | |
| 3 | DK 1010 94 | Guide starter Assly | 1 | |
| 4 | 39 2188 19 | Oil Seal | 1 | |
| 5 | 59 2100 06 | 'O' Ring | 1 | |
| 6 | 39 0752 01 | C' Sunk Head Screw | 3 | |
| 7 | 39 2603 20 | Bearing Ball (For Input shaft) | 1 | |
| 8 | 59 2000 06 | Bearing Ball (For Output shaft) | 1 | |
| 9 | 39 2185 20 | Balancer LH Bearing | 1 | |
| | 59 2000 28 | Balancer LH Bearing | 1 | from Eng. DJZCCG36058 |
| 10 | DG 1014 56 | Oil Seal (For Output shaft) | 1 | |
| 11 | 39 2190 19 | Oil Seal (For Shift lever) | 1 | |
| 12 | DH 1012 03 | Breather pipe | 1 | N.S |
| 13 | DH 1012 46 | Rubber tube | 1 | |
| 14 | 28 1011 74 | Spring Clip | 1 | |
| 15 | DH 1016 61 | Plug (Drain Bolt) | 1 | |
| 16 | DG 1014 98 | Gasket (For Drain Bolt) | 1 | |
| 17 | DK 1013 80 | Switch comp. (Neutral) | 1 | |
| 18 | 39 2181 06 | Hollow dowel pin | 2 | |
| 19 | 39 1677 04 | Bolt | 8 | |
| 20 | DH 1013 90 | Bolt Flanged Pre Coated (M8 X 82) | 1 | |
| | 39 2305 04 | Bolt Flanged Pre Coated (M8 X 82) | 1 | N.S |
| 21 | DJ 2010 21 | Cable assly. (Battery to Earth) | 1 | |
| 22 | 39 2448 11 | Plain Washer | 1 | N.S |
| 23 | DK 1010 97 | Damper | 1 | |
| 24 | 39 2180 06 | Hollow dowel pin | 2 | |
| 25 | DH 1017 84 | Gasket | 1 | |



Cover RH

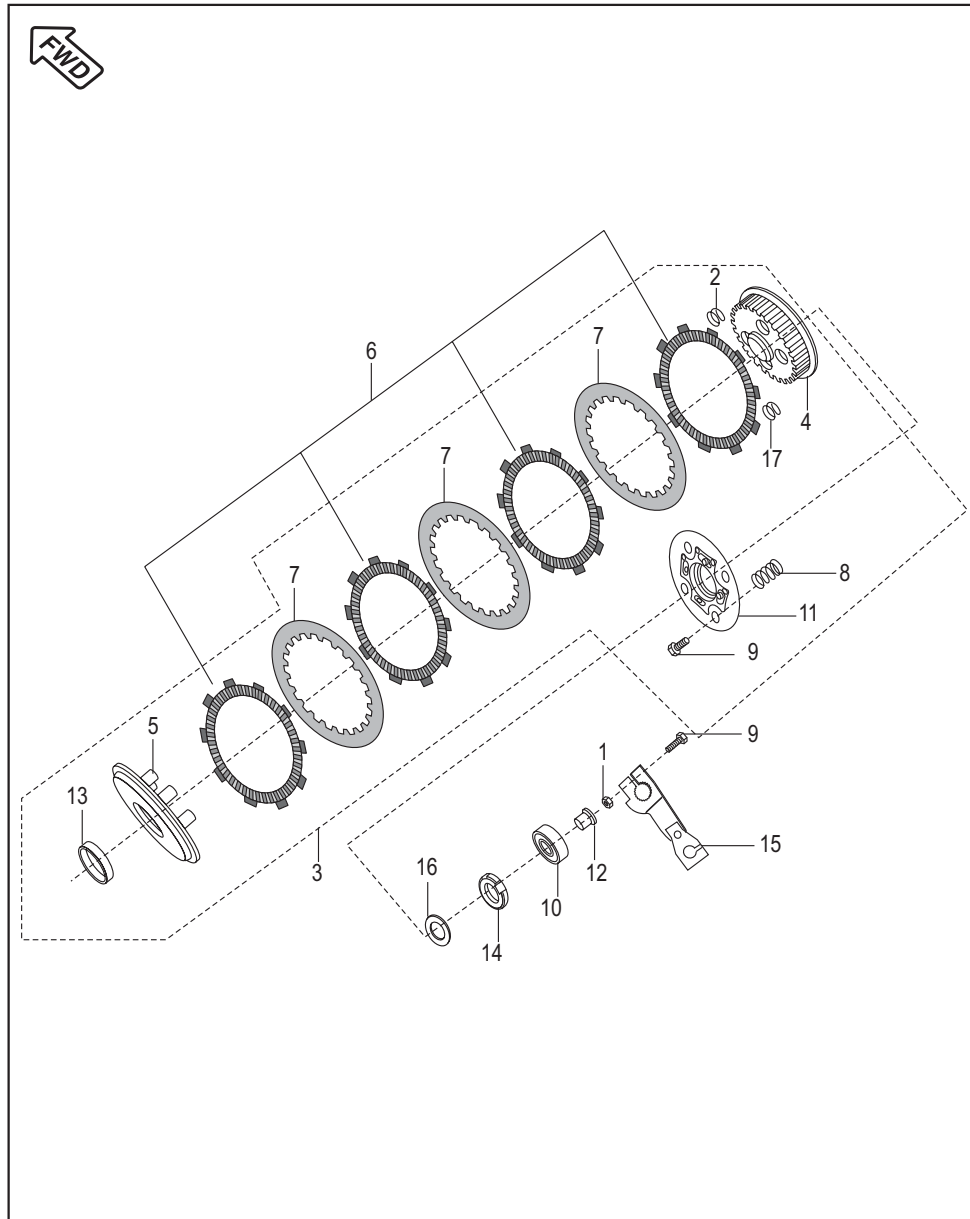
| No. | Part No. | Description | Qty./Veh. | Remarks |
|-----|------------|------------------------------------|-----------|-------------------|
| 1 | 52 DJ03 90 | Clutch Cover with Tapper Plug DJ | 1 | |
| 1A | 36 DJ40 17 | Kit Assly Clutch Cover Flower Type | 1 | Ref. Cir. C-31 |
| | 36 DJ40 26 | Kit Assly Clutch Cover Flower Type | 1 | MLT Silver |
| 2 | DH 1011 97 | Grommet Breather | 1 | |
| 3 | DH 1011 42 | Shaft clutch release | 1 | |
| 4 | 39 1041 19 | Seal clutch lever | 1 | |
| 5 | DH 1011 41 | Rack | 1 | |
| 6 | DS 1012 63 | Dip stick with 'O' ring | 1 | |
| 7 | DK 1012 51 | Parallel pin | 1 | |
| 8 | DG 1014 18 | Gauge | 1 | |
| 9 | DS 1012 15 | Wire circlip | 1 | |
| 10 | DS 1013 53 | Bolt | 10 | |
| 11 | 39 0999 06 | Pin Dowel | 2 | |
| 12 | DH 1010 18 | Bracket Clutch Cable | 1 | |
| 13 | DH 1011 54 | Gasket cover RH | 1 | |
| 14 | DK 1014 80 | Plunger Oil | 1 | |
| 15 | DH 1210 11 | Plate Plunger Oil | 1 | |
| 16 | DH 1210 12 | Spring Joint 'A' | 1 | |
| 17 | DH 1015 44 | Spring torsion clutch lever | 1 | |
| 18 | 39 2443 11 | Washer | 1 | |
| 19 | 36 DH10 04 | Set damper | 1 | Ref. PNo. 101 N.S |
| 20 | DH 1013 88 | Flanged Bolt | 5 | |
| 21 | JC 1010 40 | 'Bajaj' Decal | 1 | |
| 21A | DK 1017 38 | Decal Clutch Cover | 1 | Ref Cir. C-31 |
| 22 | 39 1990 20 | Bushing | 1 | |
| 23 | 36 DH10 05 | Set of Plate | 1 | Ref. Page No. 101 |
| 24 | DH 1014 82 | Plate | 1 | N.S |
| 25 | DH 1015 10 | Damper | 1 | N.S |



Front Wheel Direction

Cover Magneto

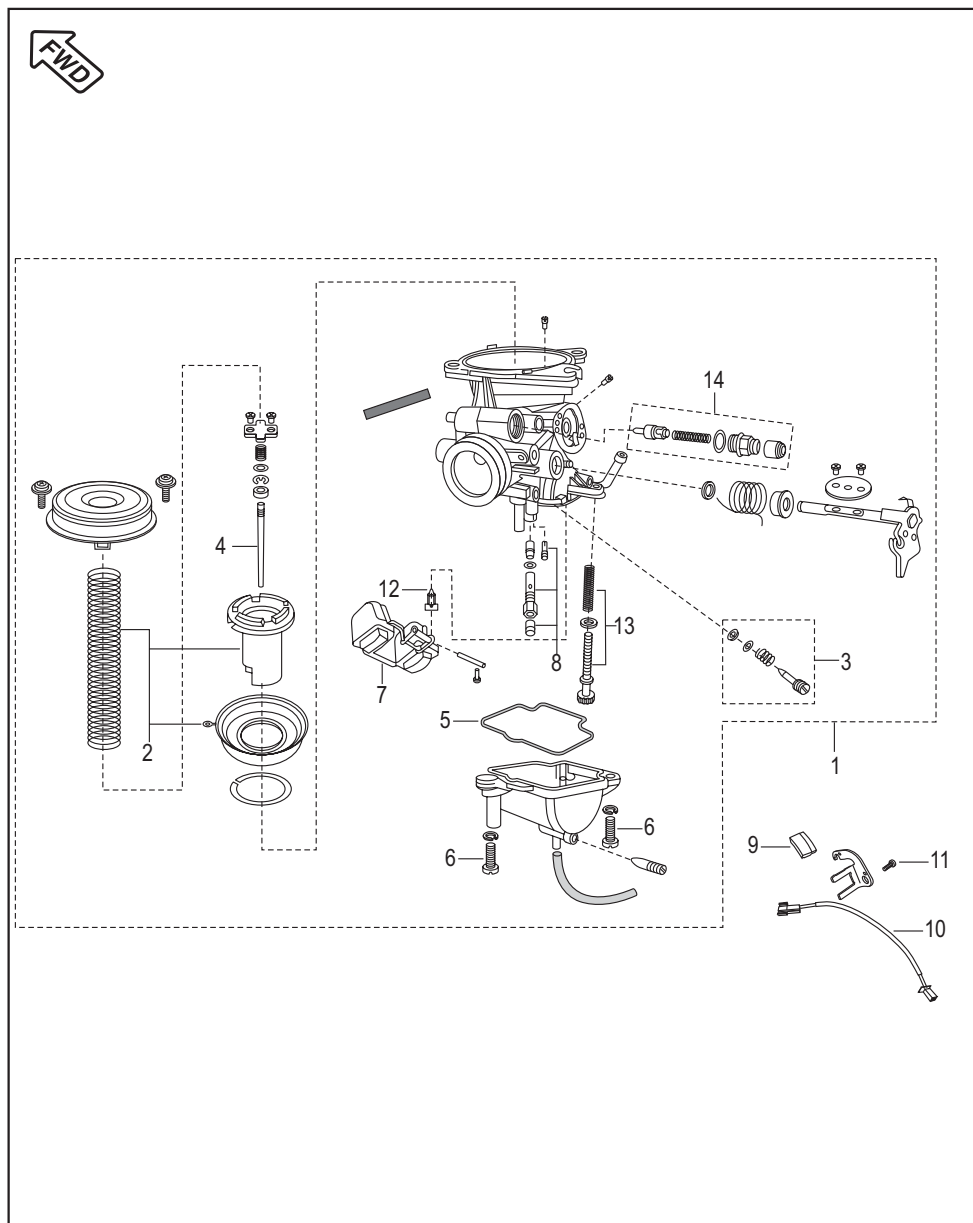
| No. | Part No. | Description | Qty./Veh. | Remarks |
|-----|------------|-----------------------------|-----------|------------------|
| 1 | DJ 1012 71 | Cover Magneto | 1 | |
| 1A | 52 DH06 24 | Magneto Cover Flower Design | 1 | Ref. Cir. C-31 |
| | 52 DH06 86 | Magneto Cover Flower Design | 1 | MLT Silver |
| 2 | DV 1010 42 | Gasket Magneto cover | 1 | |
| 3 | DS 1013 53 | Bolt | 5 | |
| 4 | 39 0999 06 | Pin Dowel | 2 | |
| 5 | DH 1011 57 | Cap Crank Center | 1 | |
| 6 | 39 1283 21 | 'O' Ring | 1 | |
| 7 | JC 1010 33 | Cover LH RR | 1 | |
| | DK 1017 62 | Cover LH RR | 1 | MLT Silver |
| 8 | 36 DH10 06 | Set Damper | 1 | Ref.PNo.101 N.S |
| 9 | DH 1013 88 | Flanged Bolt | 6 | |
| 10 | DH 1013 23 | 'Bajaj' Decal | 1 | |
| 10A | JE 5412 12 | Decal Magneto Comp. | 1 | Ref Cir. C-31 |
| 11 | 36 DH10 07 | Set of Plate | 1 | Ref. PNo.101 N.S |
| 12 | DS 1013 53 | Bolt | 2 | |
| 13 | DJ 1612 28 | Sticker | 1 | |



Clutch

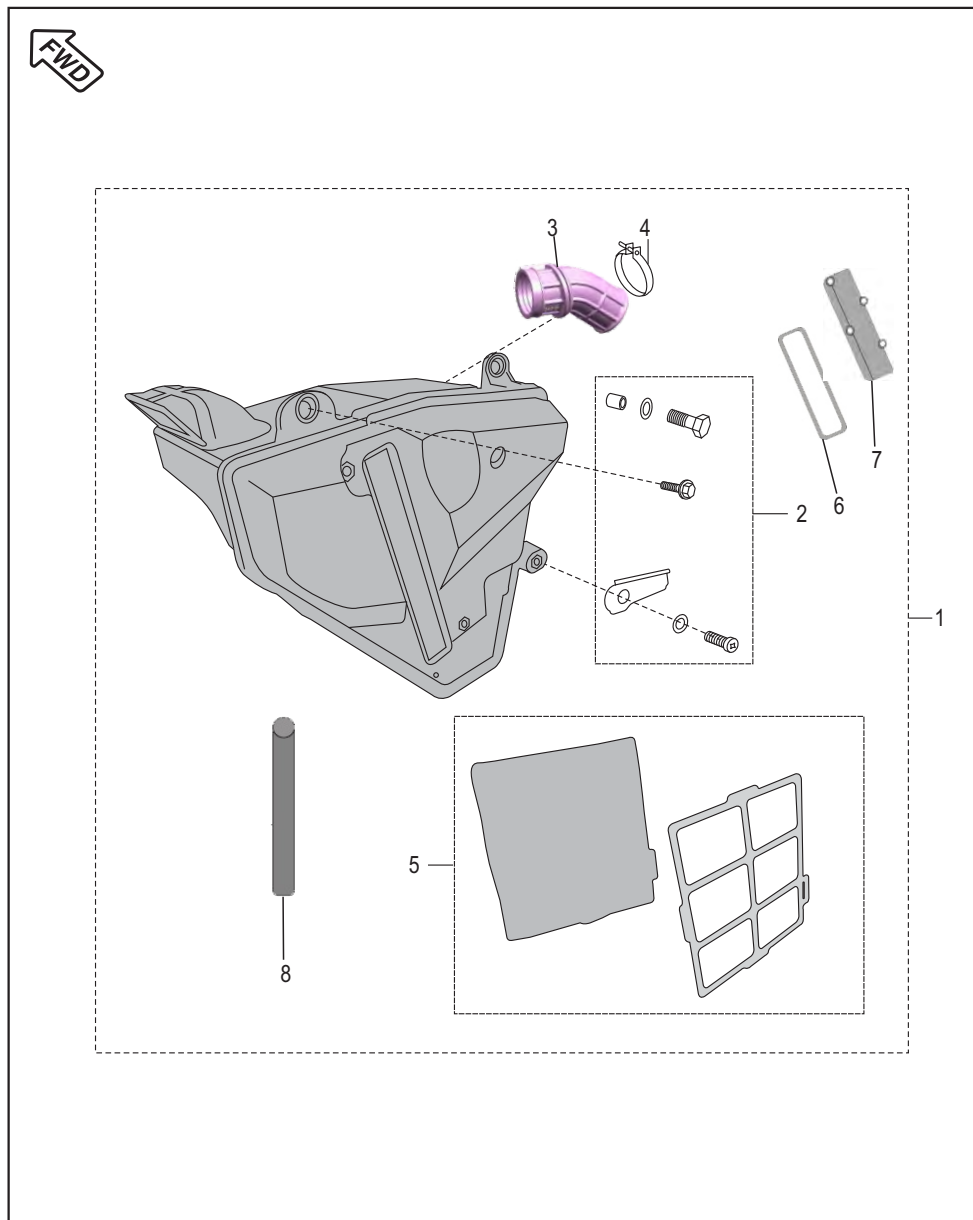
| No. | Part No. | Description | Qty. /Veh. | Remarks |
|-----|------------|--------------------------------------|------------|-------------------------|
| 1 | DH 1012 75 | Special Nut | 1 | |
| 2 | DK 1015 71 | Spring judder | 1 | |
| 3 | DJ 1013 50 | Clutch Assly. Complete | 1 | |
| 4 | DK 1015 64 | Clutch Center | 1 | |
| 5 | DK 1015 69 | Plate Clutch Pressure | 1 | |
| 6 | DJ 1013 69 | Friction Plate Kit | 1 | |
| 7 | DK 1015 65 | Plate Clutch | 5 | |
| 8 | DH 1018 61 | Spring Clutch Capacity | 4 | |
| 9 | DK 1015 74 | Bolt | 5 | |
| 10 | 39 1880 20 | Bearing Ball:- 15 X 32 X 9 (6002-C3) | 1 | |
| 11 | DK 1015 73 | Holder Clutch | 1 | |
| 12 | DK 1010 72 | Rod Clutch lifter | 1 | |
| 13 | DK 1011 26 | Spacer clutch | 1 | |
| 14 | DH 1016 48 | Nut Primary drive lock | 1 | LH Thread |
| 15 | DH 1011 80 | Lever Assly. Clutch | 1 | |
| | DK 1016 36 | Lever Assly. Clutch | 1 | From Engine DJGBSC54429 |
| 16 | 39 2200 11 | Washer Primary Drive Gear | 1 | |
| 17 | DK 1015 70 | Seat judder spring | 1 | |

Carburettor



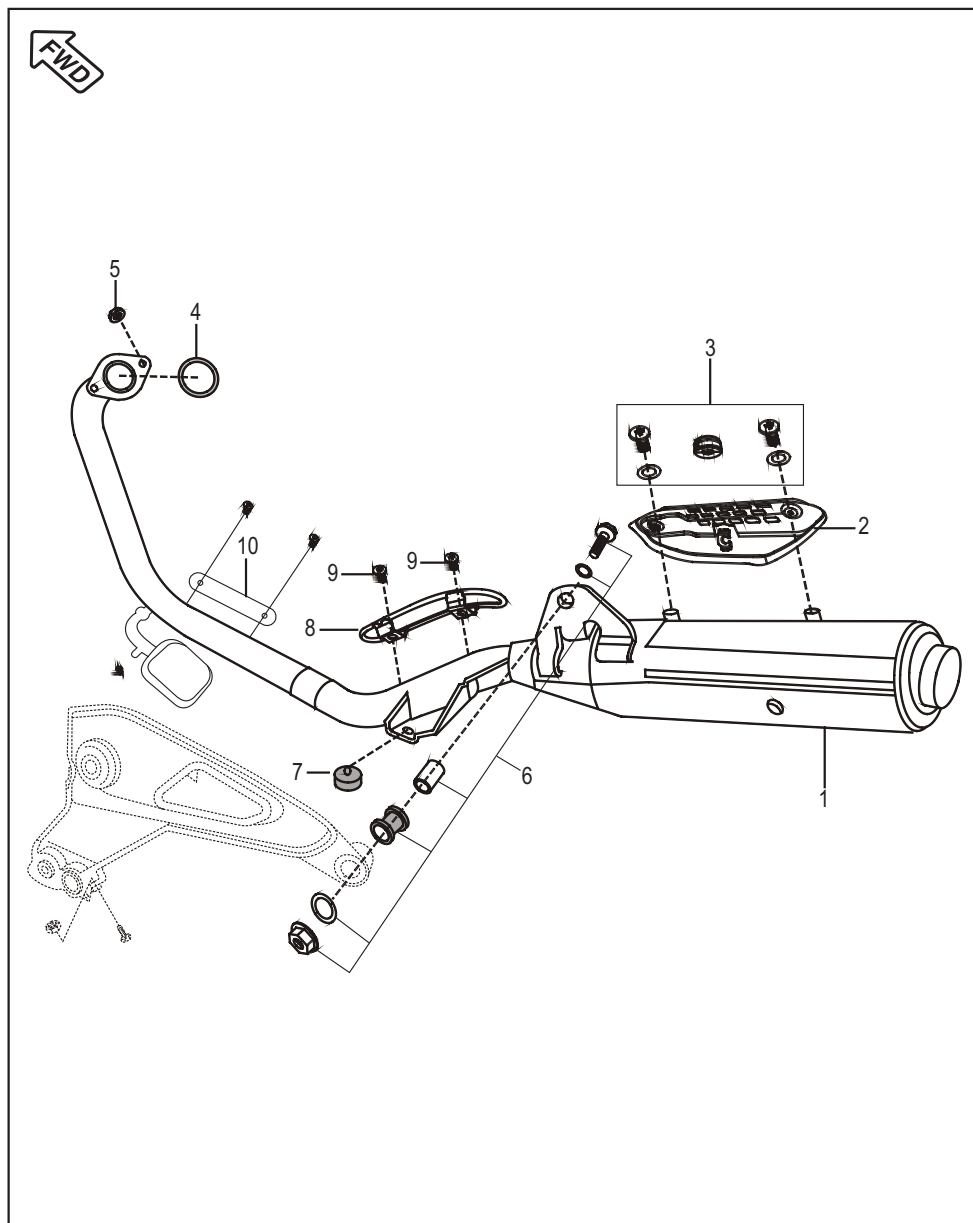
| No. | Part No. | Description | Qty. /Veh. | Remarks |
|-----|------------|--------------------|------------|---------|
| 1 | DJ 1210 41 | Carburettor Assly. | 1 | |
| | DJ 1210 79 | Carburettor Assly. | 1 | |
| 2 | DJ 1210 51 | Vaccum Piston Kit | 1 | |
| 3 | DH 1211 49 | Idling Screw Kit | 1 | N.S |
| 4 | DJ 1210 44 | Jet needle(JN) | 1 | |
| 5 | DJ 1210 53 | "O" ring | 1 | |
| 6 | DJ 1210 54 | Screw | 2 | |
| 7 | DJ 1210 55 | Float assly. | 1 | |
| 8 | DJ 1210 56 | Jet Holder Kit | 1 | |
| 9 | DH 1211 01 | Magnet Assly. | 1 | |
| 10 | DJ 1210 70 | Reed Switch Assly. | 1 | |
| 11 | 39 1780 01 | Pan Head Screw | 2 | |
| 12 | DJ 1210 57 | Needle Assly. | 1 | |
| 13 | DH 1211 50 | Set Adjuster(PS) | 1 | |
| 14 | DJ 1210 59 | Set Plunger assly. | 1 | |
| 15 | DD 1110 46 | TPS Assly | 1 | |

Air Cleaner Comp



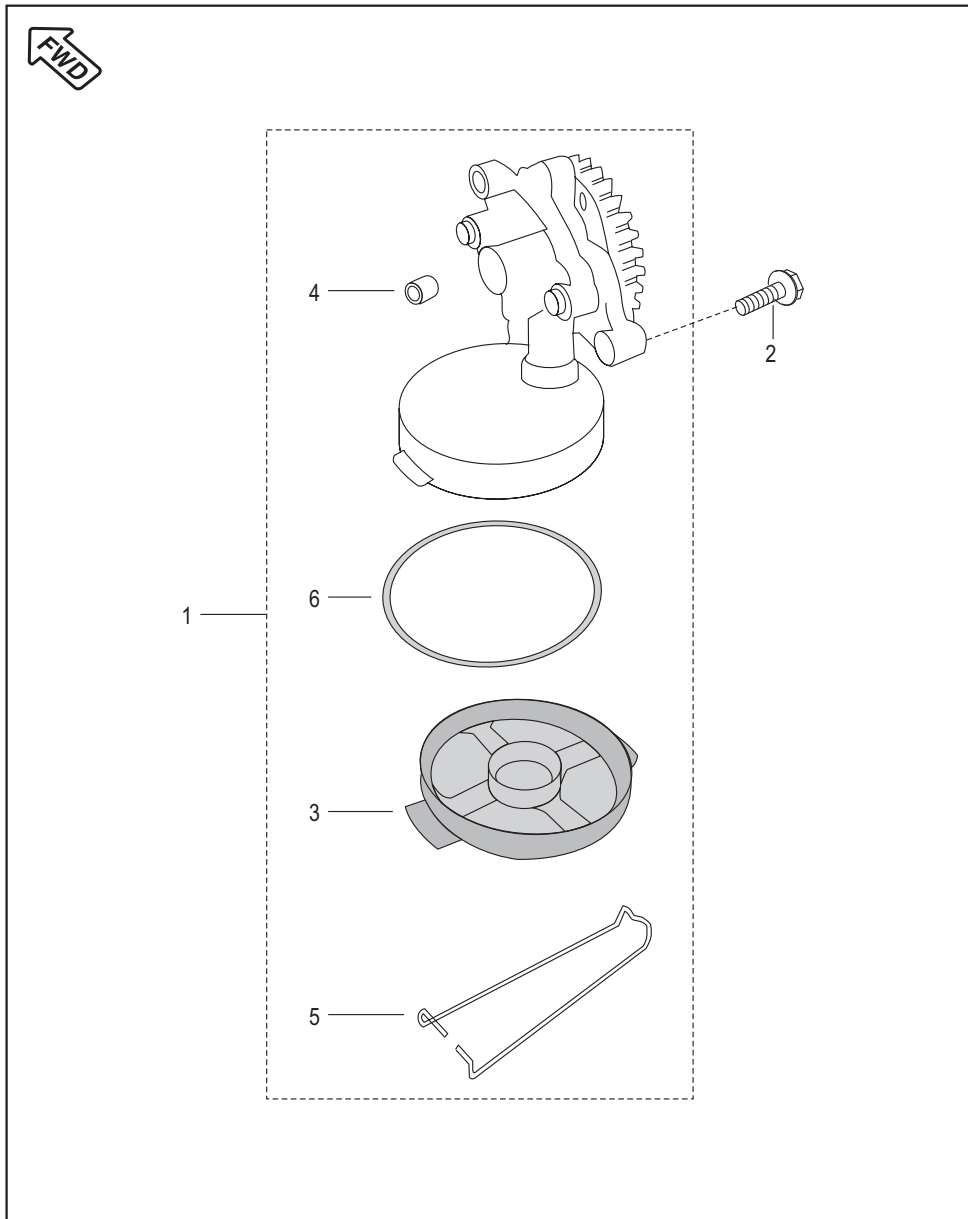
| No. | Part No. | Description | Qty. /Veh. | Remarks |
|-----|------------|---------------------------|------------|------------------|
| 1 | DJ 1210 71 | Air Cleaner comp | 1 | |
| 2 | 36 DH40 10 | Kit hardware air cleaner | 1 | Ref. Page No.101 |
| 3 | DJ 1210 68 | Connecting Tube | 1 | |
| | DH 1211 91 | Connecting Tube | 1 | |
| 4 | AA 1210 45 | Clamp | 1 | |
| 5 | 36 DK00 15 | Kit element air filter | 1 | Ref. Page No.102 |
| 6 | DK 1210 15 | 'O' ring Air Filter Cover | 1 | |
| 7 | DK 1210 08 | Filter Air Element Cover | 1 | |
| 8 | DS 1211 17 | Drain Tube | 1 | |

Silencer Assly.

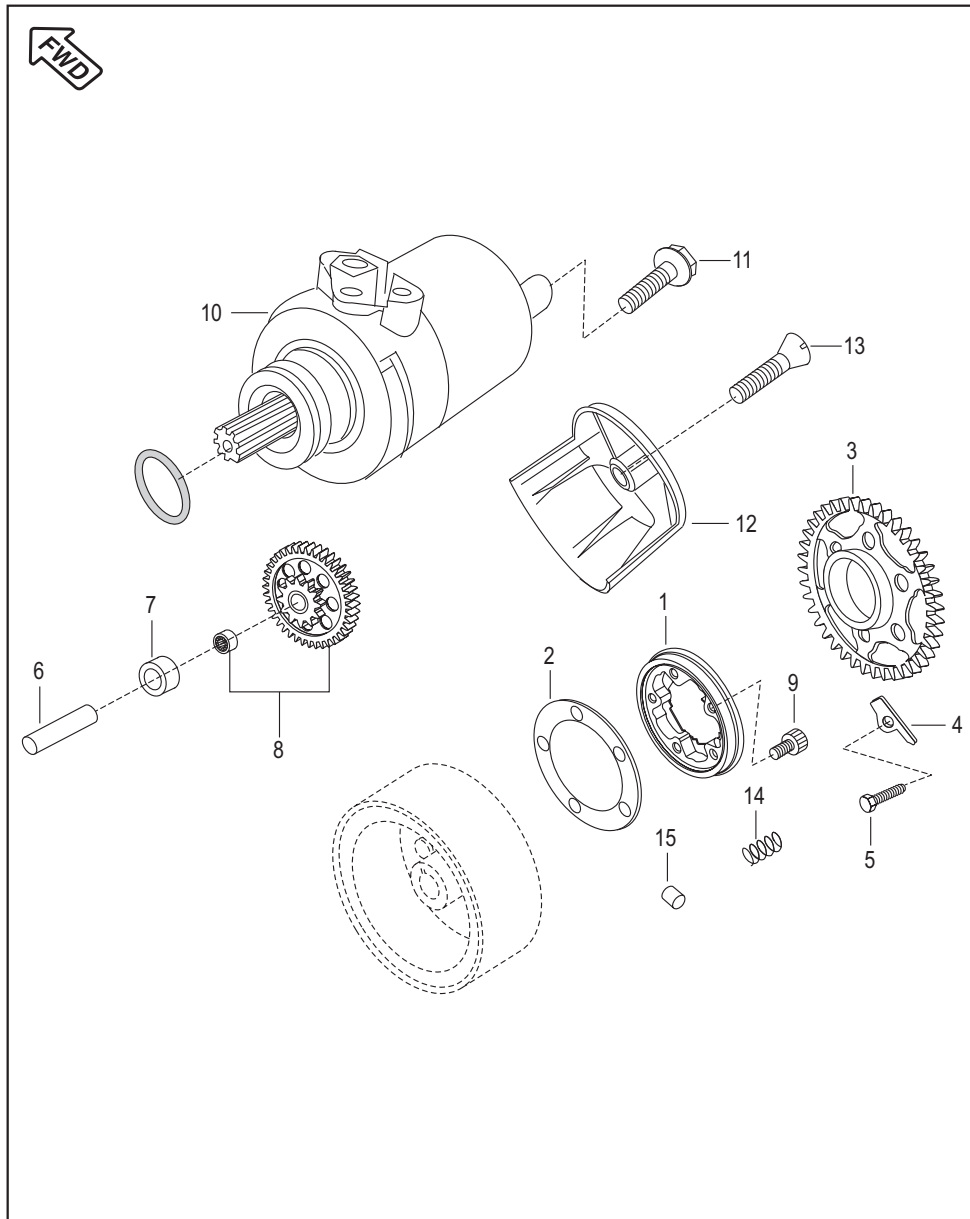



| No. | Part No. | Description | Qty. /Veh. | Remarks |
|-----|------------|------------------------------------|------------|------------------|
| 1 | DJ 1013 91 | Silencer W/O Shield | 1 | |
| | DJ 1014 20 | Silencer (Non Cat.) | 1 | |
| | 36 DJ40 29 | Kit Asly Silencer W/O Shield | 1 | |
| 2 | DH 1014 68 | Shield Muffler | 1 | |
| | DH 1021 39 | Shield Muffler | 1 | Ref. Cir. IB-157 |
| 3 | 36 DH40 11 | Kit hardware shield | 1 | Ref. Page No.102 |
| 4 | DJ 1010 64 | Gasket Exhaust | 1 | |
| 5 | 39 1970 15 | Flanged Nut | 2 | |
| 6 | 36 DK00 09 | Kit hardware silencer | 1 | Ref. Page No.102 |
| 7 | DG 1611 24 | Damper (Main Stand) | 1 | |
| 8 | DH 1015 21 | Wire Shield Assly. | 1 | |
| 9 | DH 1013 02 | Screw | 2 | |
| 10 | DH 1016 08 | Silencer front (cat) shield | 2 | |
| | DJ 1016 62 | Silencer front (cat) shield -Black | 2 | |

Oil Pump



| No. | Part No. | Description | Qty. /Veh. | Remarks |
|-----|------------|-----------------------|------------|---------|
| 1 | 52 DH01 69 | Oil Pump Assly | 1 | |
| 2 | 39 1674 04 | Hex. Bolt with flange | 3 | |
| 3 | DH 1210 10 | Mesh filter Oil pump | 1 | |
| 4 | 39 1686 06 | Hollow dowel pin | 1 | |
| 5 | DH 1210 35 | Clip Mesh Oil filter | 1 | |
| 6 | 39 2194 21 | 'O' Ring | 1 | |

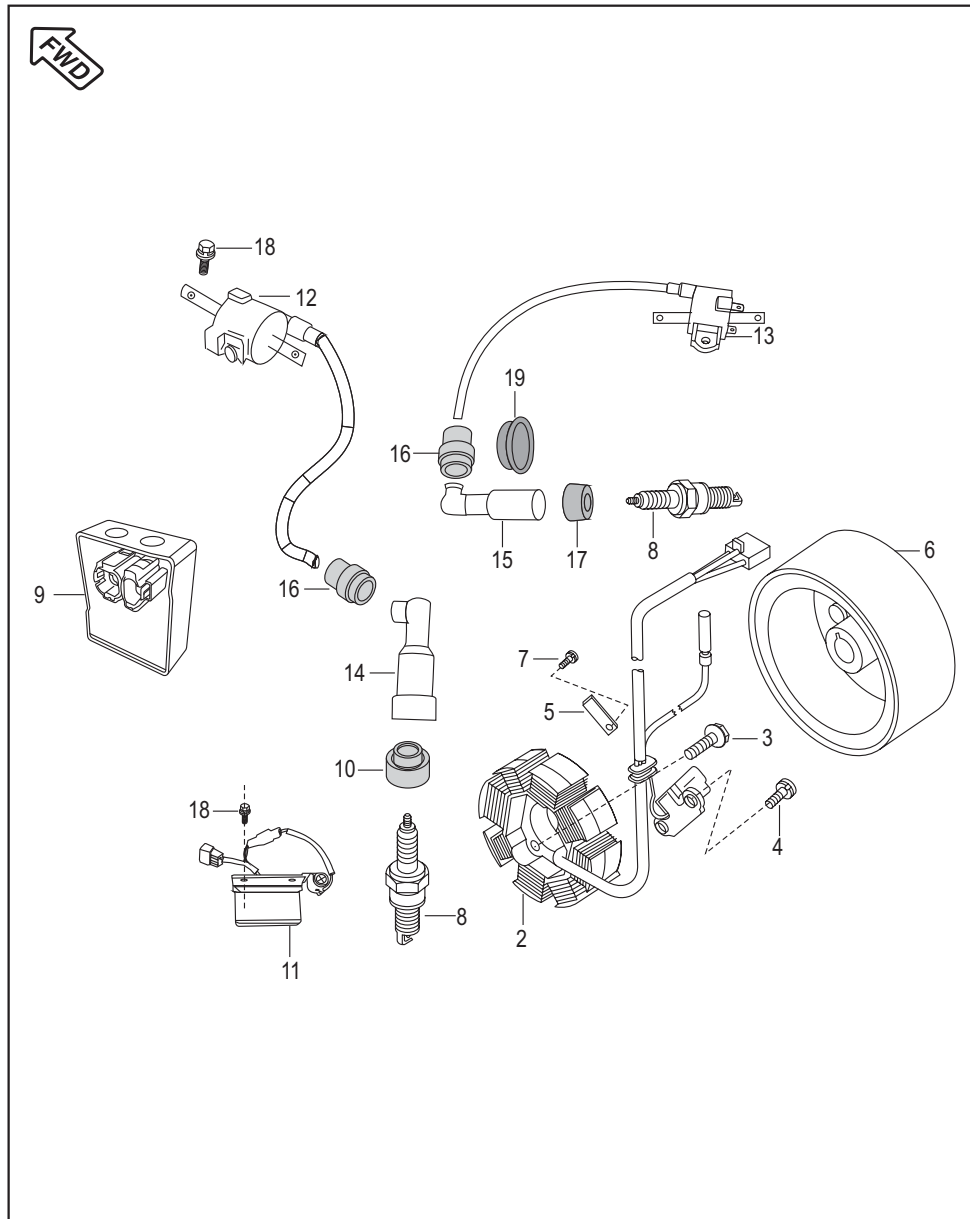


 Front Wheel Direction

Starter Assly.

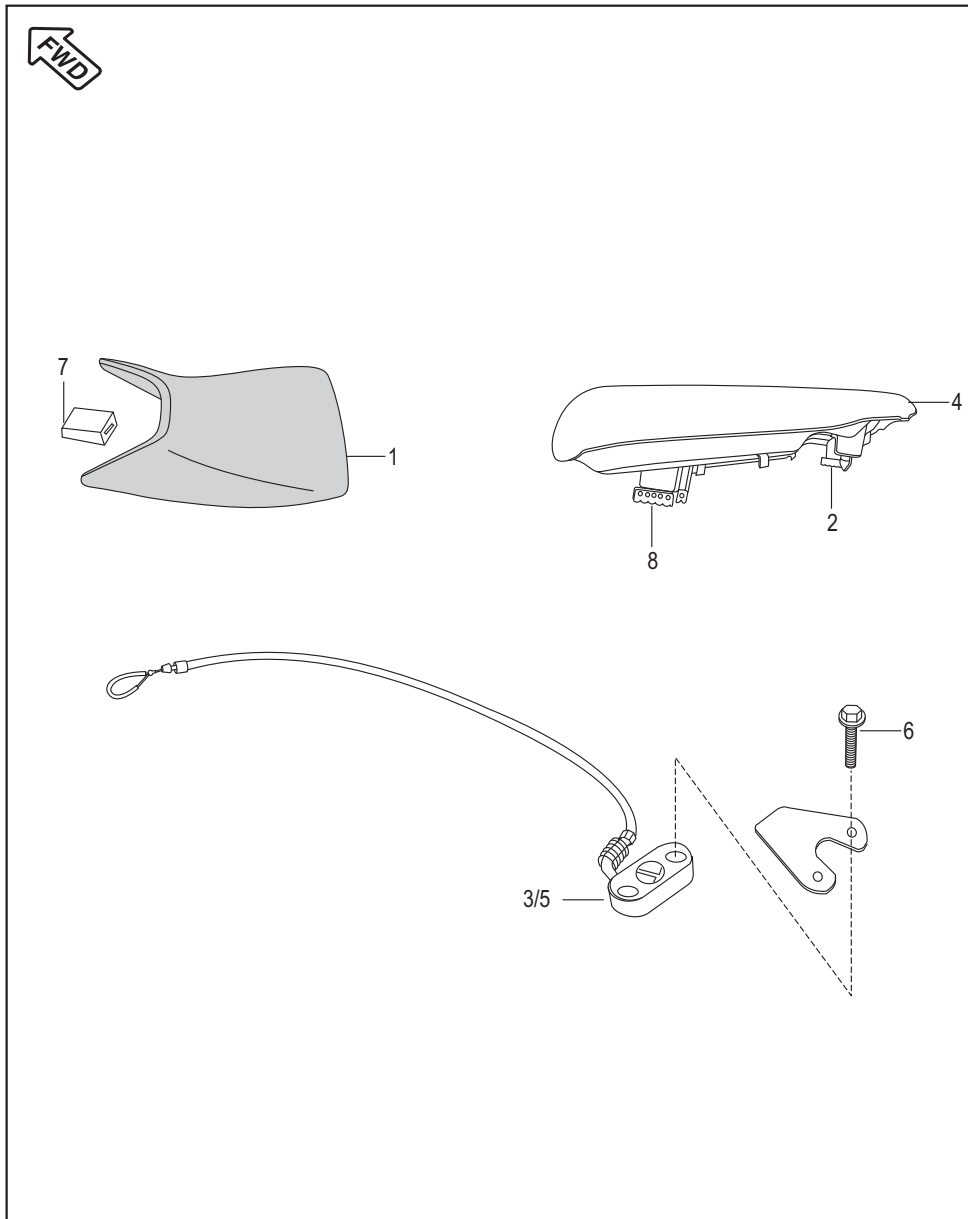
| No. | Part No. | Description | Qty./Veh. | Remarks |
|-----|------------|---|-----------|------------|
| 1 | 36 DK00 76 | Body comp. starter clutch | 1 | |
| 2 | DK 1016 05 | Plate roller clutch | 1 | |
| 3 | JC 1011 14 | Gear starter clutch | 1 | |
| 4 | DH 1015 81 | Plate starter clutch gear return | 1 | |
| 5 | DH 1013 85 | Bolt | 1 | |
| 6 | DK 1011 76 | Shaft starter counter | 1 | |
| 7 | DH 1011 72 | Collar starter counter | 1 | |
| 8 | JC 1011 15 | Gear comp. starter counter assly. | 1 | |
| 9 | 39 0972 04 | Bolt socket M6 | 3 | |
| 10 | DH 1110 84 | Motor assly. starter clutch | 1 | |
| 11 | DS 1013 53 | Bolt | 2 | |
| 12 | 52 DH01 53 | Cover starter motor | 1 | |
| | DK 1017 70 | Cover starter motor | 1 | MLT Silver |
| 13 | DH 1013 89 | Slotted c'sunk screw | 1 | |
| 14 | 36 DK00 77 | Spring | 1 | |
| 15 | DH 1011 63 | Roller | 5 | |
| 16 | 59 2000 07 | Needle Roller Bearing (For Gear Starter Clutch) | 1 | N.I. |

Magneto / C.D.I. /H.T. Coil



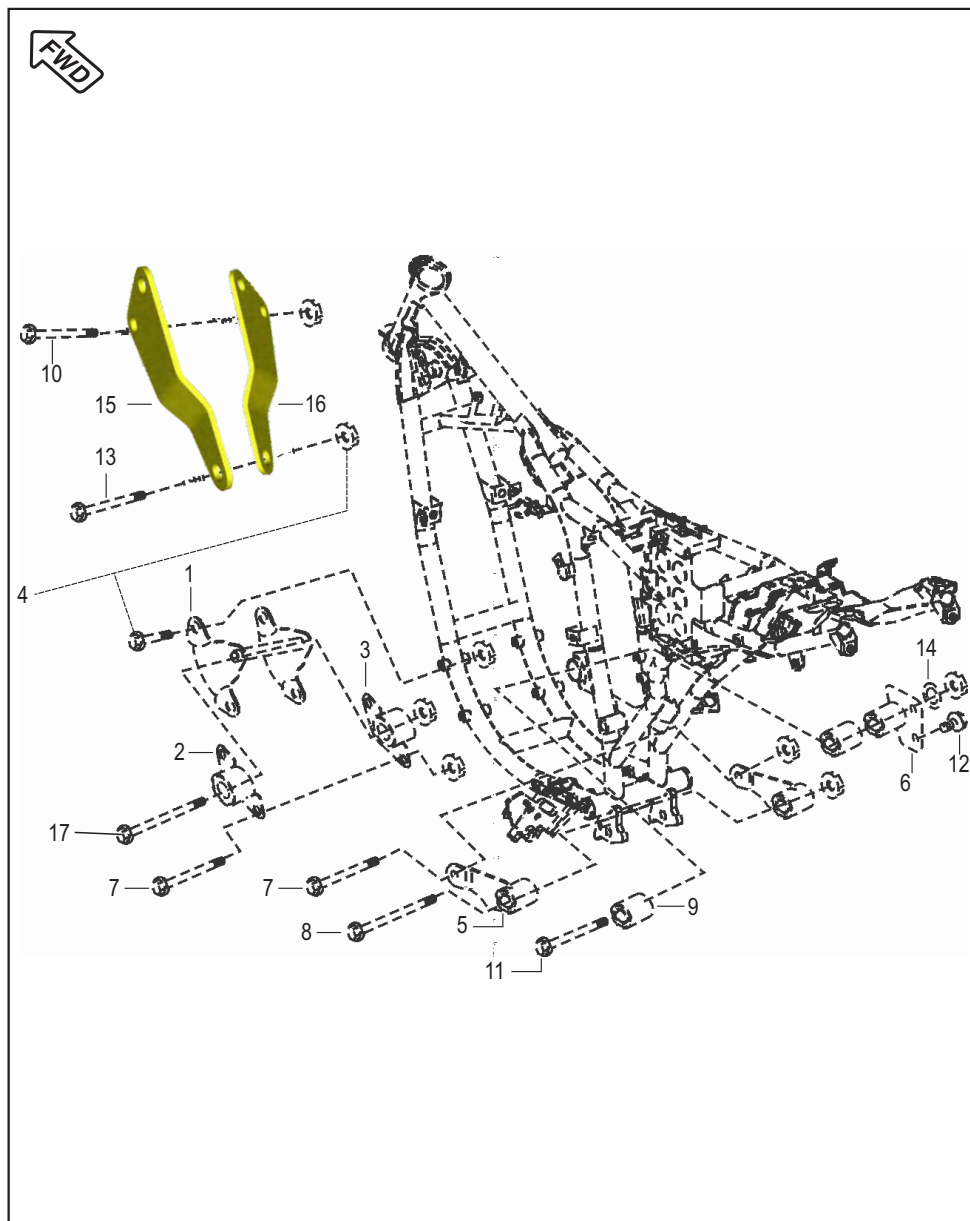
| No. | Part No. | Description | Qty. /Veh. | Remarks |
|-----|------------|--------------------------------|------------|---------|
| 1 | 59 1000 02 | Spring Dowel | 1 | N.I. |
| 2 | DH 1110 81 | Stator Assly. comp | 1 | |
| 3 | DH 1013 86 | Hex. Bolt with Flange | 2 | |
| 4 | DH 1013 81 | Pan Head Screw | 2 | |
| 5 | DH 1011 99 | Stopper plate (wiring harness) | 1 | |
| 6 | DH 1110 83 | Rotor Assly. | 1 | |
| 7 | DH 1013 80 | Screw Pan head | 1 | |
| 8 | DG 1110 08 | Spark plug | 2 | |
| 9 | DJ 1110 92 | C.D.I. Assly. | 1 | |
| 10 | DH 1110 13 | Grommet Spark Plug | 1 | |
| 11 | DJ 2012 02 | Regulator (With Bracket) | 1 | |
| 12 | JC 1110 22 | H.T. Coil LH with cable | 1 | |
| 13 | JC 1110 23 | H.T. Coil RH with cable | 1 | |
| 14 | DD 1110 48 | Cap Spark Plug | 1 | |
| 15 | DH 1110 15 | Cap Spark Plug | 2 | |
| 16 | DD 1110 12 | Grommet H.T. Cable | 2 | |
| 17 | DH 1110 13 | Grommet Spark Plug | 1 | |
| 18 | 39 1944 04 | Flange Bolt | 4 | |
| 19 | DH 1110 16 | Grommet Sleeve Spark Plug | 1 | |

Seat Assembly / Seat Lock



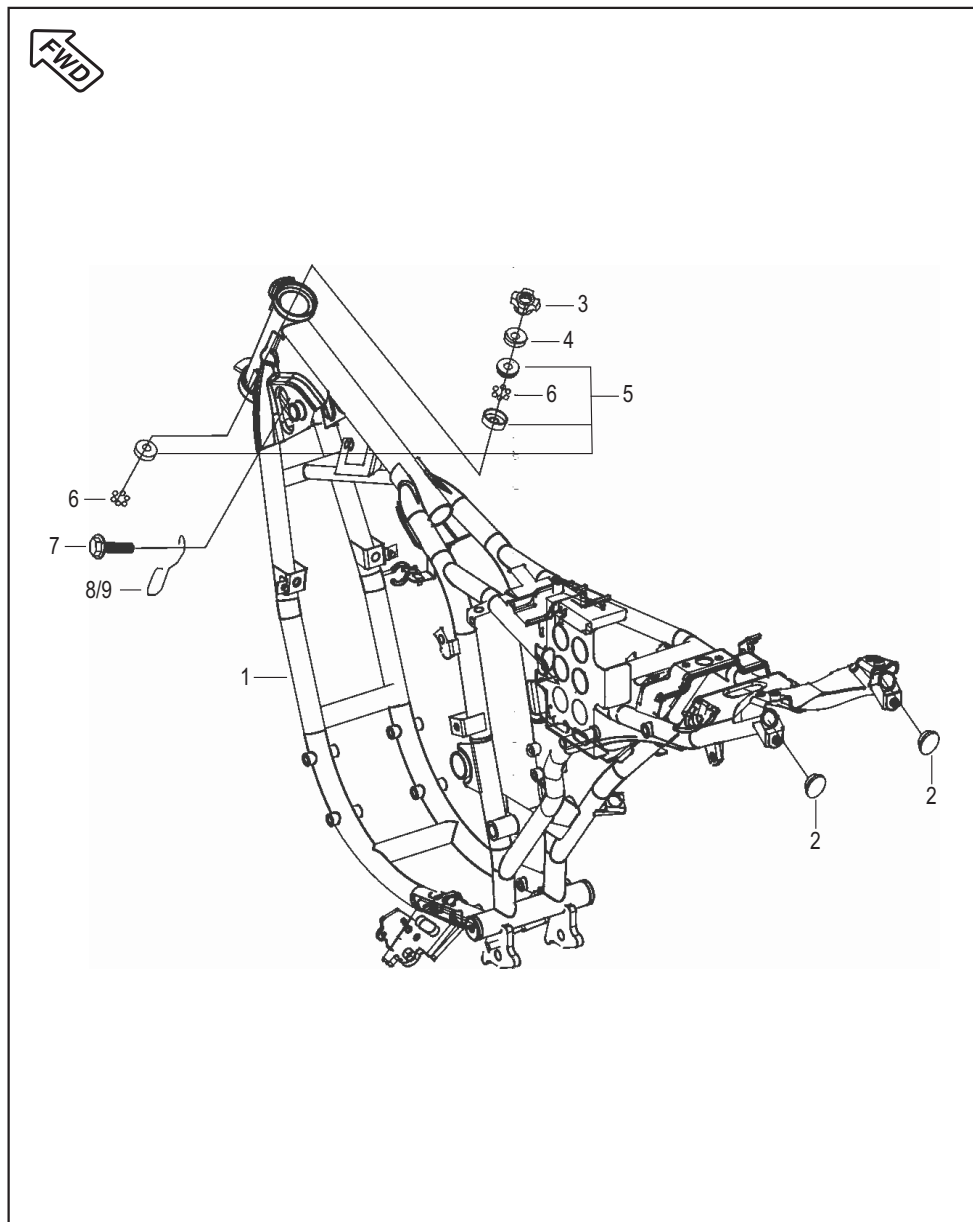
| No. | Part No. | Description | Qty. /Veh. | Remarks |
|-----|------------|-----------------------|------------|---------|
| 1 | DK 2110 01 | Seat Assly comp front | 1 | |
| 2 | DS 2110 05 | Damper | 6 | |
| 3 | DH 1610 46 | Lock Assly seat front | 1 | |
| 4 | DK 2110 04 | Seat assly comp rear | 1 | |
| 5 | DK 2110 08 | Lock assly seat rear | 1 | |
| 6 | 39 1902 04 | Bolt flange | 4 | |
| 7 | DK 2110 07 | Damper Front | 1 | |
| 8 | DS 2110 04 | Damper | 2 | |

Engine Mounting

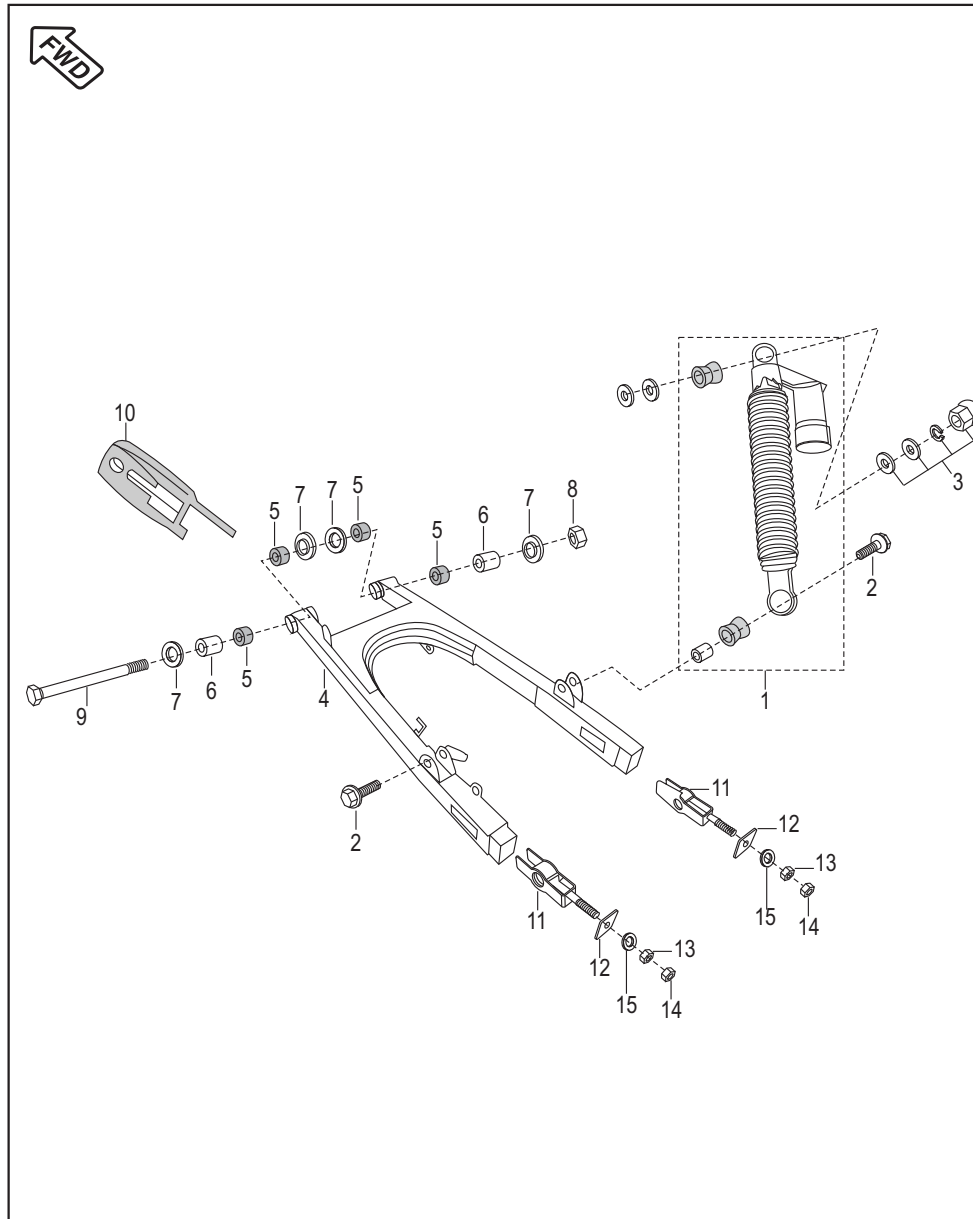



| No. | Part No. | Description | Qty. /Veh. | Remarks |
|-----|------------|---------------------------------|------------|-----------------|
| 1 | DK 1610 96 | Bkt. Assly. Eng. Mtg. front | 2 | |
| 2 | DH 1611 89 | Bkt. Comp. LH eng. Mtg. front | 1 | |
| 3 | DH 1611 90 | Bkt. Comp. RH eng. Mtg. front | 1 | |
| 4 | 36 DK00 11 | Kit hardware eng. mounting | 1 | Ref. PageNo.102 |
| 5 | DK 1611 59 | Bkt. comp. LH eng. mtg. lower | 1 | |
| 6 | DK 1611 61 | Bkt. comp. RH eng. mtg. lower | 1 | |
| 7 | 39 2157 04 | Bolt Flanged | 2 | |
| 8 | 39 2412 04 | Bolt Flanged | 1 | |
| 9 | DH 1612 73 | Bush in frame | 1 | N.S |
| 10 | 39 1967 04 | Bolt | 1 | |
| 11 | 59 0400 43 | Hex. Soc. Hd. cap bolt | 1 | |
| 12 | 39 2310 04 | Flanged bolt | 2 | |
| 13 | 39 2412 04 | Bolt Hex Head with Flange :- M8 | 1 | |
| 14 | 39 1040 11 | Washer | 1 | |
| 15 | DJ 1613 01 | Bracket LH Engine Hanger | 1 | |
| | JC 1610 28 | Bracket LH Engine Hanger | 1 | |
| 16 | DJ 1613 02 | Bracket RH Engine Hanger | 1 | |
| | JC 1610 15 | Bracket RH Engine Hanger | 1 | |
| 17 | 59 0400 41 | Bolt Flange | 1 | |

Frame & Frame Fittings



| No. | Part No. | Description | Qty. /Veh. | Remarks |
|-----|------------|-------------------------------------|------------|------------------|
| 1 | JC 1610 31 | Frame Assl. comp. | 1 | N.S |
| | JC 1610 49 | Frame Assl. comp. | 1 | Alt for Jc161031 |
| 2 | DH 1611 12 | Cup rear | 2 | |
| 3 | DG 1810 48 | Nut | 1 | |
| 4 | DG 1810 42 | Cup - Steering | 1 | |
| 5 | 36 DV00 07 | Bearing Cone Kit | 1 | Ref. Page No.102 |
| 6 | 36 3140 02 | Kit Ball Steel Steering (Set of 42) | 1 | |
| 7 | 39 1680 04 | Flanged bolt | 2 | Old |
| | DS 1612 24 | Flanged bolt | 2 | New 29.5.2010 |
| 8 | DJ 1611 32 | Cable Hook LH | 1 | |
| 9 | DJ 1611 33 | Cable Hook RH | 1 | |
| 10 | JC 1610 15 | Bkt. Engine Mounting Upper RH | 1 | N.I. |
| 11 | JC 1610 14 | Bkt. Engine Mounting Upper LH | 1 | N.I. |

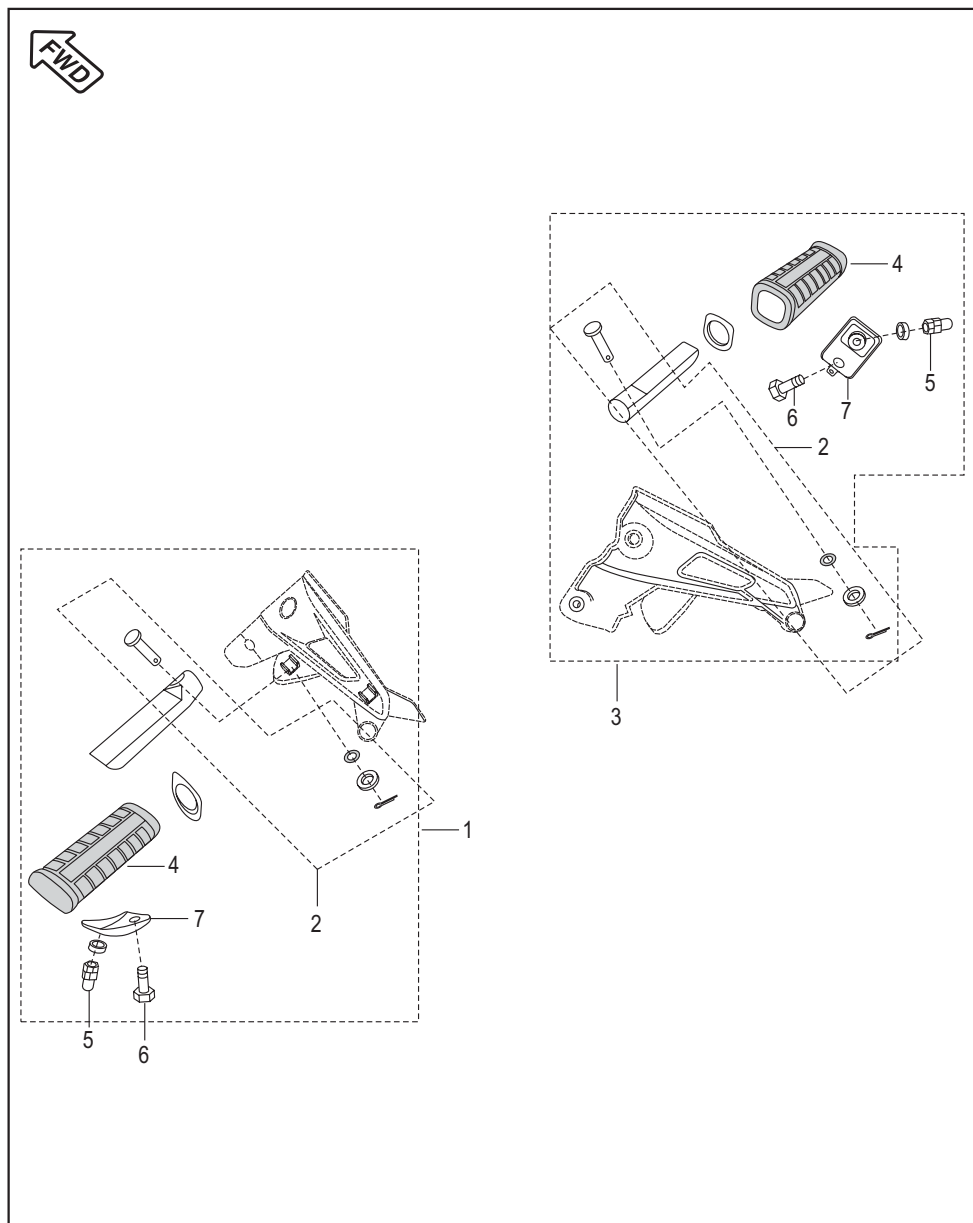


 Front Wheel Direction

Swing Arm / Rear Shock Absorber

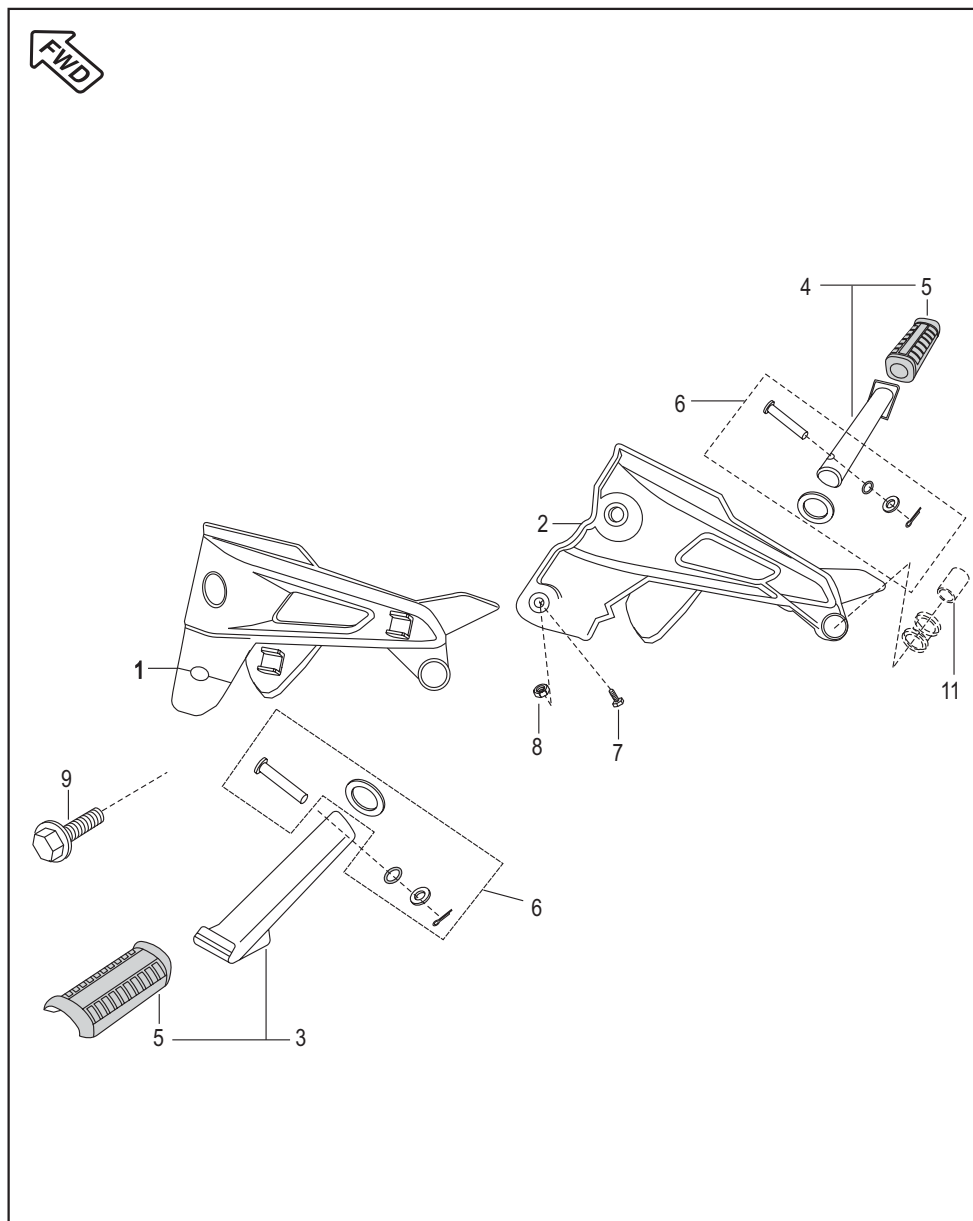
| No. | Part No. | Description | Qty. /Veh. | Remarks |
|-----|------------|----------------------------|------------|------------------|
| 1 | DK 1710 14 | Rear Shock Absorber Assly. | 2 | |
| 2 | DG 1710 38 | Bolt Pre-coated | 2 | |
| 3 | 36 DK00 12 | Kit bush rear shock | 1 | Ref. Page No.102 |
| 4 | DJ 1710 35 | Swing arm assly. | 1 | |
| 5 | DG 1710 18 | Swing arm bearing | 4 | |
| 6 | DK 1710 06 | Collar swing arm | 2 | |
| 7 | DG 1710 19 | Oil seal swing arm | 4 | |
| 8 | DH 1710 19 | 'U' nut swing arm | 1 | |
| 9 | DK 1710 03 | Shaft swing arm | 1 | |
| 10 | DG 1710 34 | Chain slider | 1 | |
| 11 | DG 1710 21 | Adjuster chain LH | 2 | Old N.S |
| | JM 1710 03 | Adjuster chain LH | 2 | Ref. Cir. C-31 |
| 12 | DG 1710 20 | Plate Chain Adjuster | 2 | Old |
| | JM 1710 04 | Plate Chain Adjuster | 2 | Ref. Cir. C-31 |
| 13 | 39 1997 15 | Hexagon nut | 2 | |
| 14 | DG 1710 22 | Small nut | 2 | |
| 15 | 39 1224 11 | Washer | 2 | |

Rider Foot Rest



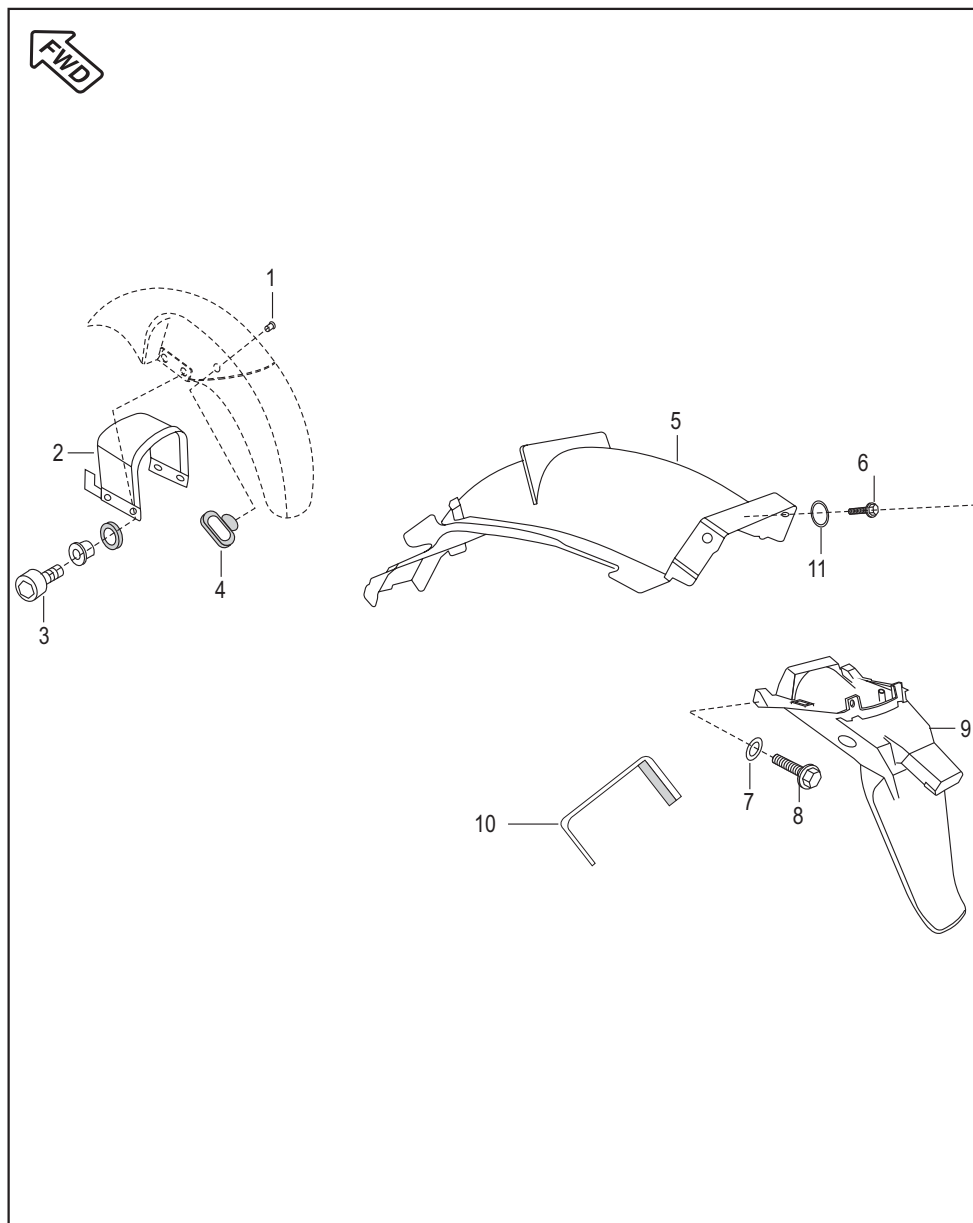
| No. | Part No. | Description | Qty. /Veh. | Remarks |
|-----|------------|------------------------|------------|---------|
| 1 | DJ 1611 26 | Main step LH assly. | 1 | |
| 2 | 36 DK00 13 | Kit Hardware Main Step | 2 | |
| 3 | DJ 1611 27 | Main step RH assly. | 1 | |
| 4 | DH 1610 53 | Rubber main step | 2 | |
| 5 | 39 1282 15 | Domed Cap Nut M-8 | 2 | |
| 6 | 22 1504 51 | Bold Hexagon Head | 2 | |
| 7 | DH 1610 56 | Plate Coml. Low M/Step | 2 | |

Pillion Foot Rest / Holder



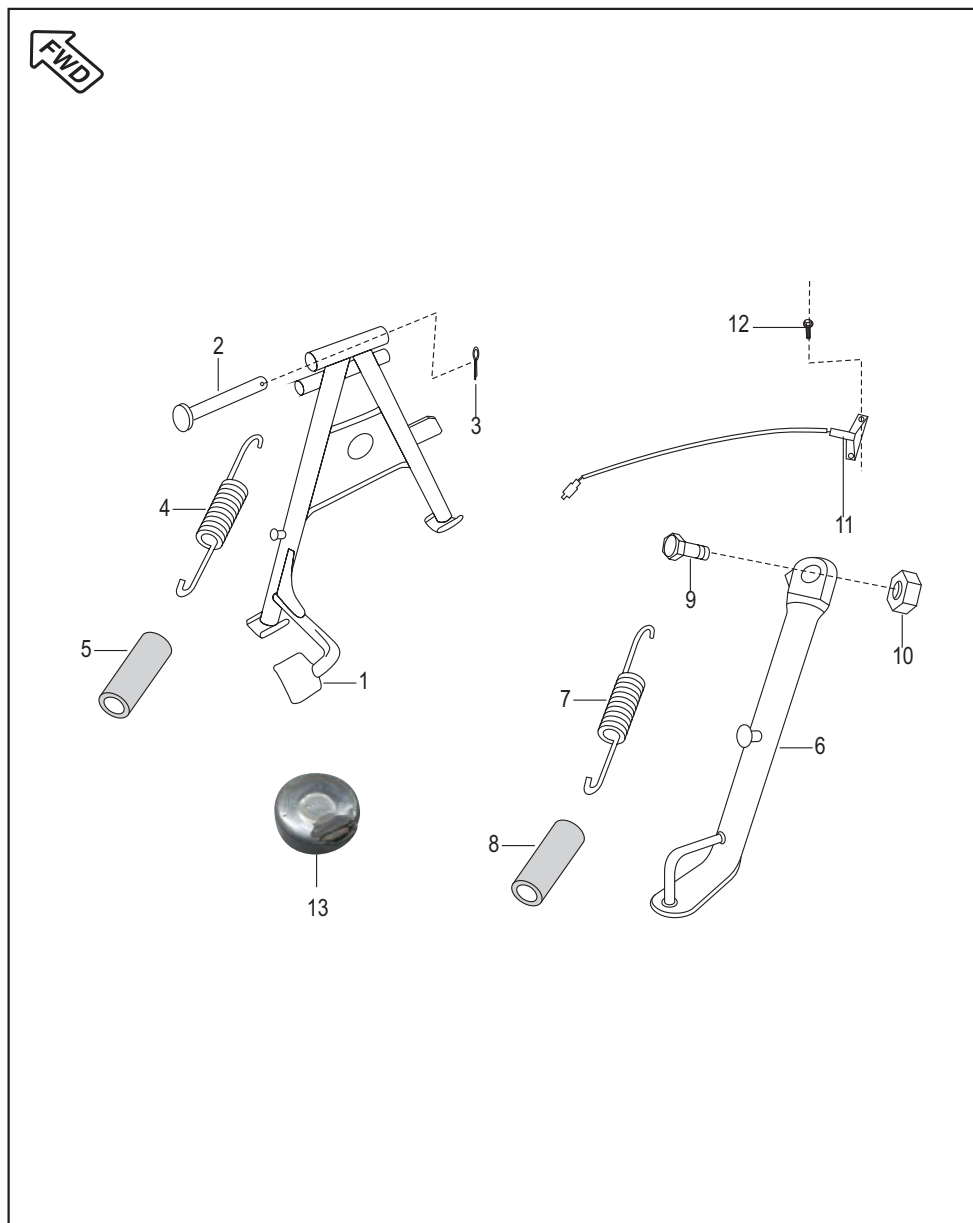
| No. | Part No. | Description | Qty. /Veh. | Remarks |
|-----|------------|-------------------------------------|------------|------------------|
| 1 | DK 1611 37 | Holder Step LH | 1 | |
| | DK 1613 08 | Holder Step LH | 1 | MLT Silver |
| 2 | JC 1610 02 | Holder Step RH | 1 | |
| | DJ 1613 24 | Holder Step RH | 1 | MLT Silver |
| 3 | DJ 1611 28 | Pillion step assly. comp. LH | 1 | |
| 4 | DJ 1611 29 | Pillion step assly. comp. RH | 1 | |
| 5 | DJ 1611 22 | Rubber pillion step | 2 | |
| 6 | 36 DK00 13 | Kit hardware pillion | 2 | Ref. Page No.102 |
| 7 | 39 1069 01 | Screw | 1 | Stopper bolt |
| 8 | 39 0292 15 | Nut | 1 | |
| 9 | 39 2582 04 | Bolt Hex Head Flange : M8X1.25XL 35 | 2 | |
| 10 | DJ 1611 86 | Plate lock pillion step | 2 | NI |
| 11 | DH 1611 00 | Spacer main step | 1 | NI |

Mudguard - Front & Rear



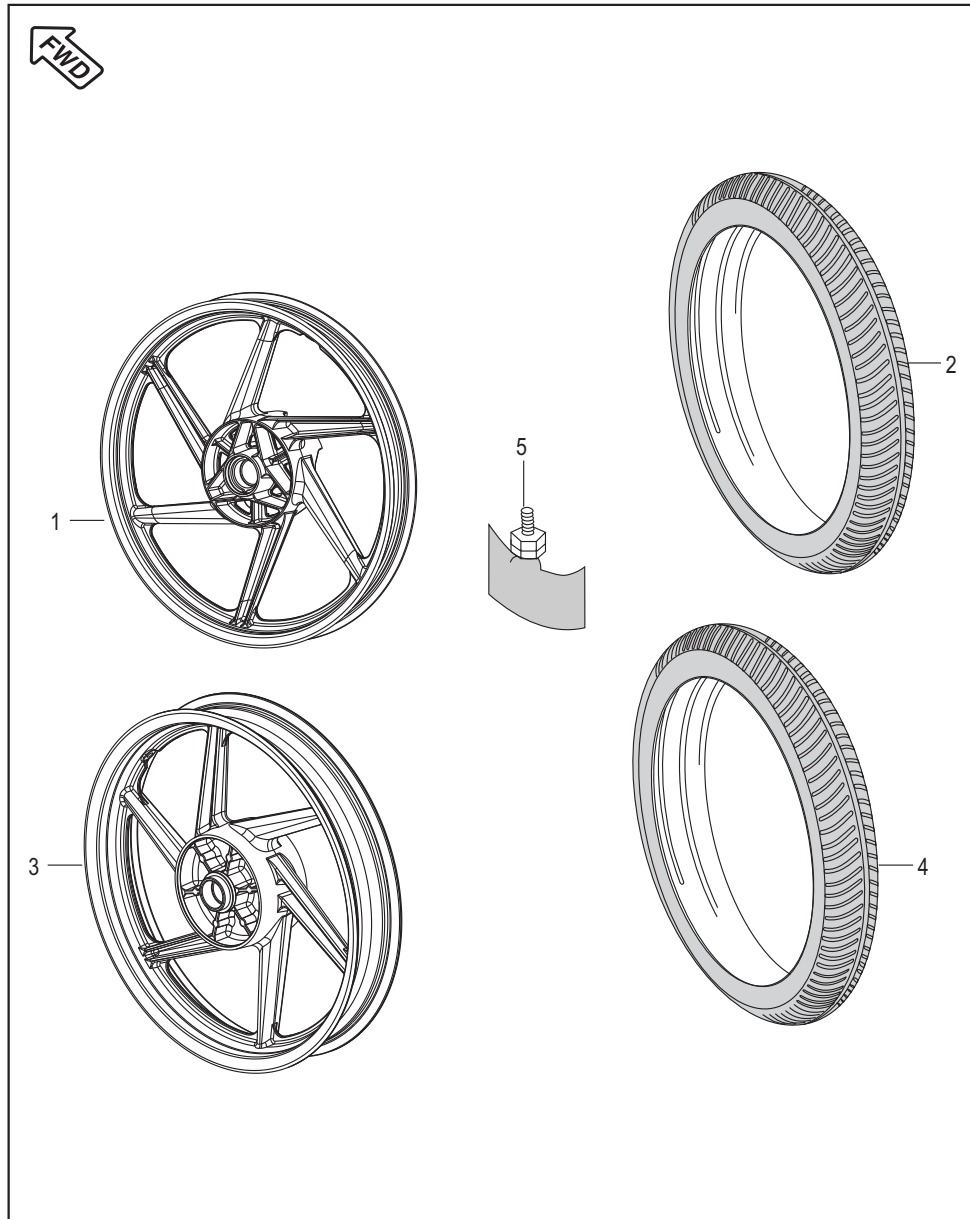
| No. | Part No. | Description | Qty. /Veh. | Remarks |
|-----|------------|----------------------------|------------|------------|
| 1 | DJ 1610 69 | Nail for Cable Guide | 1 | |
| 2 | DK 1610 98 | Brace fender | 1 | |
| 3 | 59 0400 40 | Step bolt | 4 | |
| 4 | DS 1611 25 | Clamp | 1 | For cables |
| 5 | DK 1610 86 | Fender rear front | 1 | |
| 6 | 39 1672 04 | Flange Bolt M6 | 2 | |
| 7 | 39 0711 11 | Plain washer | 2 | |
| 8 | 39 1680 04 | Flange bolt | 2 | |
| 9 | DK 1610 85 | Fender rear | 1 | |
| 10 | DK 1611 64 | Indicator Mtg Bracket Rear | 1 | |
| 11 | 39 0211 11 | Plain washer | 2 | |

Stand Assembly



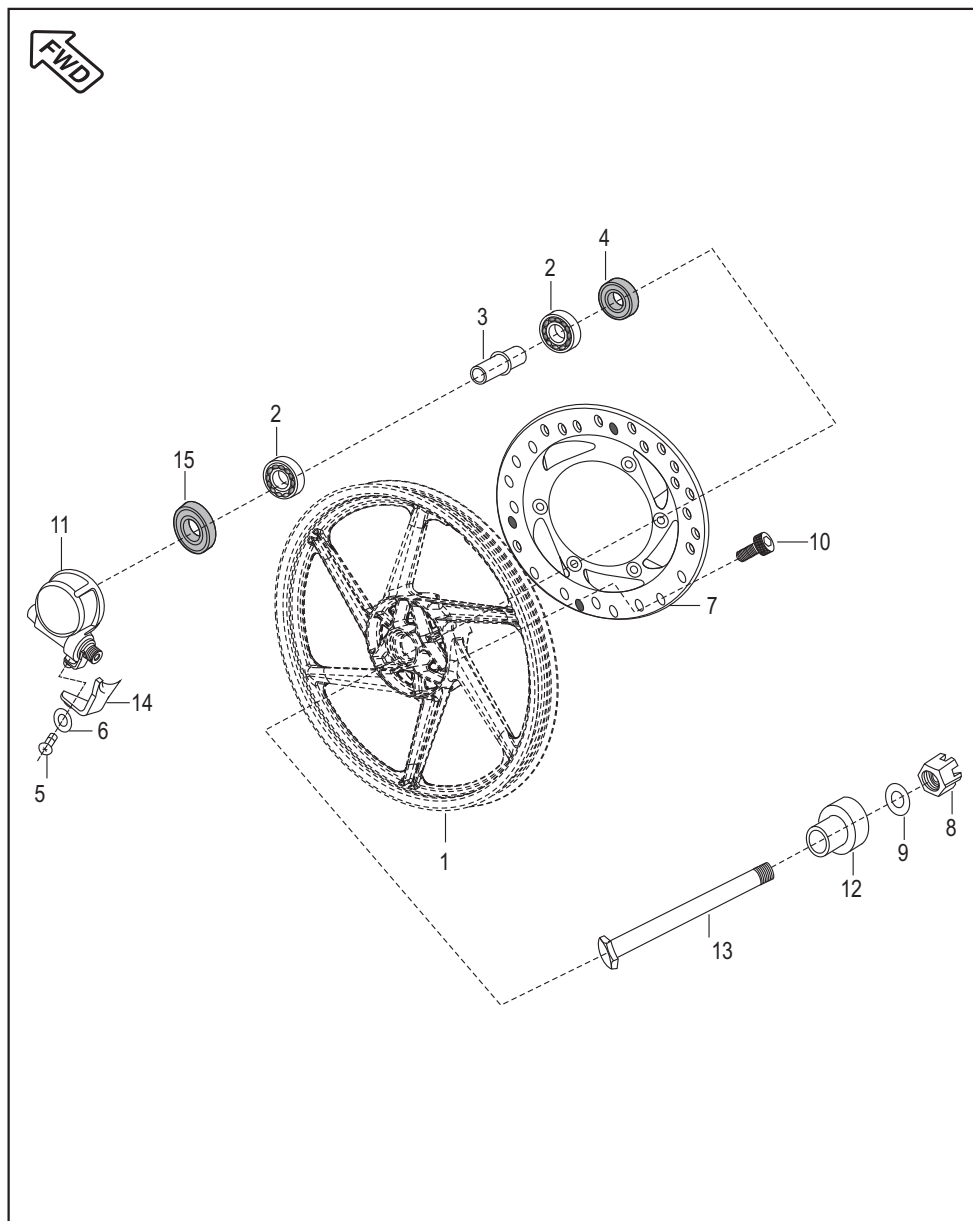
| No. | Part No. | Description | Qty. /Veh. | Remarks |
|-----|------------|----------------------------|------------|---------|
| 1 | DK 1611 22 | Stand main | 1 | |
| 2 | 30 1611 57 | Shaft stand | 1 | |
| 3 | 39 0787 08 | Pin cotter | 1 | |
| 4 | DH 1611 21 | Spring main stand | 1 | |
| 5 | DH 1611 45 | Cover spring main stand | 1 | |
| 6 | JC 1610 17 | Stand side | 1 | |
| 7 | DH 1610 66 | Spring side stand | 1 | |
| 8 | DH 1611 46 | Cover spring side stand | 1 | |
| 9 | DF 1611 02 | Bolt | 1 | |
| 10 | 39 0422 15 | Nut | 1 | |
| 11 | JC 2010 39 | Side stand switch | 1 | |
| 12 | 39 2060 04 | Bolt | 2 | |
| 13 | DH 2010 65 | Magnet Assly. | 1 | |
| | DJ 2011 06 | Magnet Assly (Button Type) | 1 | |

Tube / Tyre / Rim



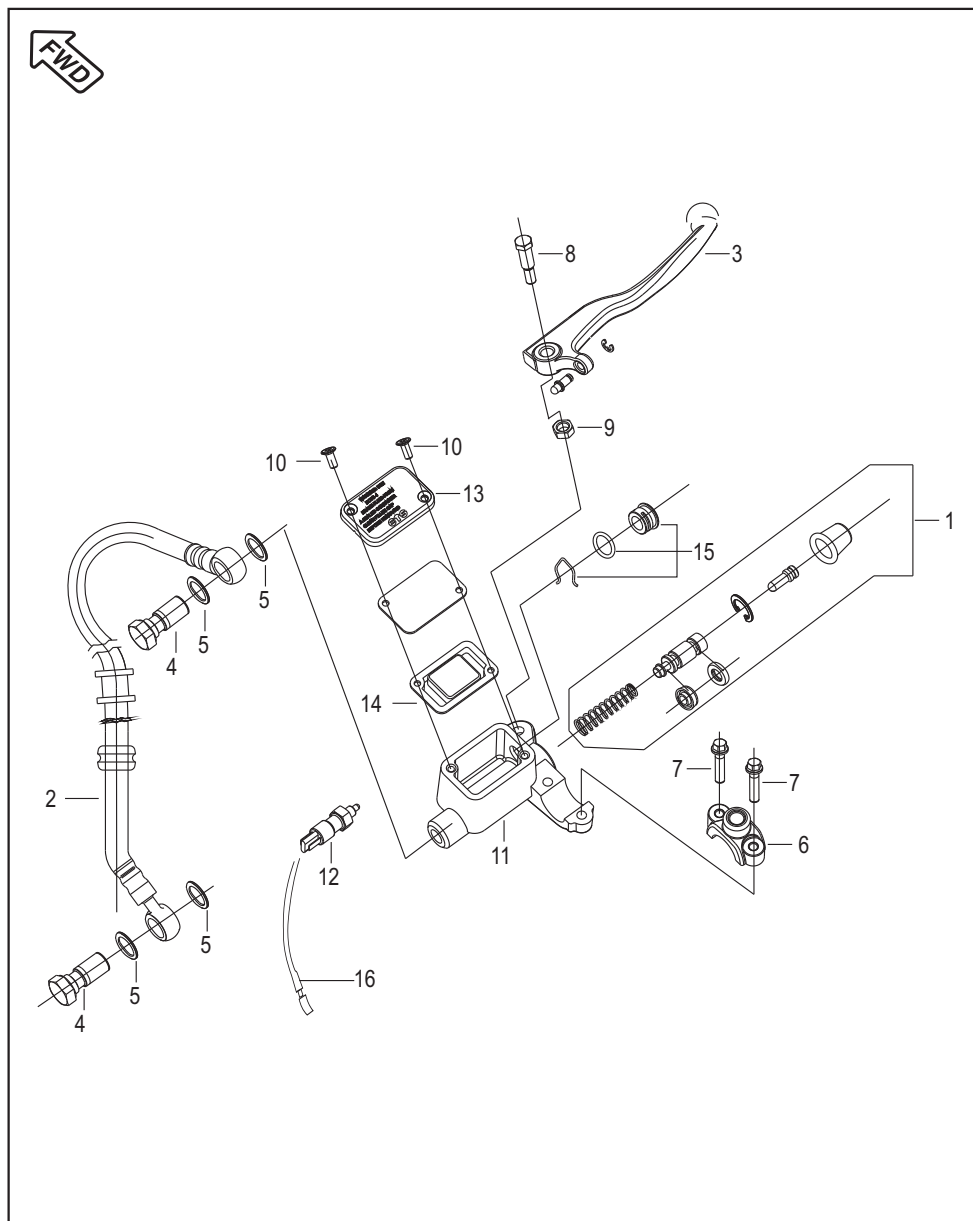
| No. | Part No. | Description | Qty. /Veh. | Remarks |
|-----|------------|------------------------------|------------|---------|
| 1 | JC 1510 13 | Wheel rim front (16 x 17 DC) | 1 | |
| 2 | DK 1510 39 | Tyre Tubeless front | 1 | |
| 3 | JC 1510 10 | Wheel Rim Rear | 1 | |
| 4 | DK 1510 40 | Tyre Tubeless rear | 1 | |
| 5 | DK 1510 26 | Valve for tubeless tyre | 2 | |

Front Hub (For Disc Brake System)



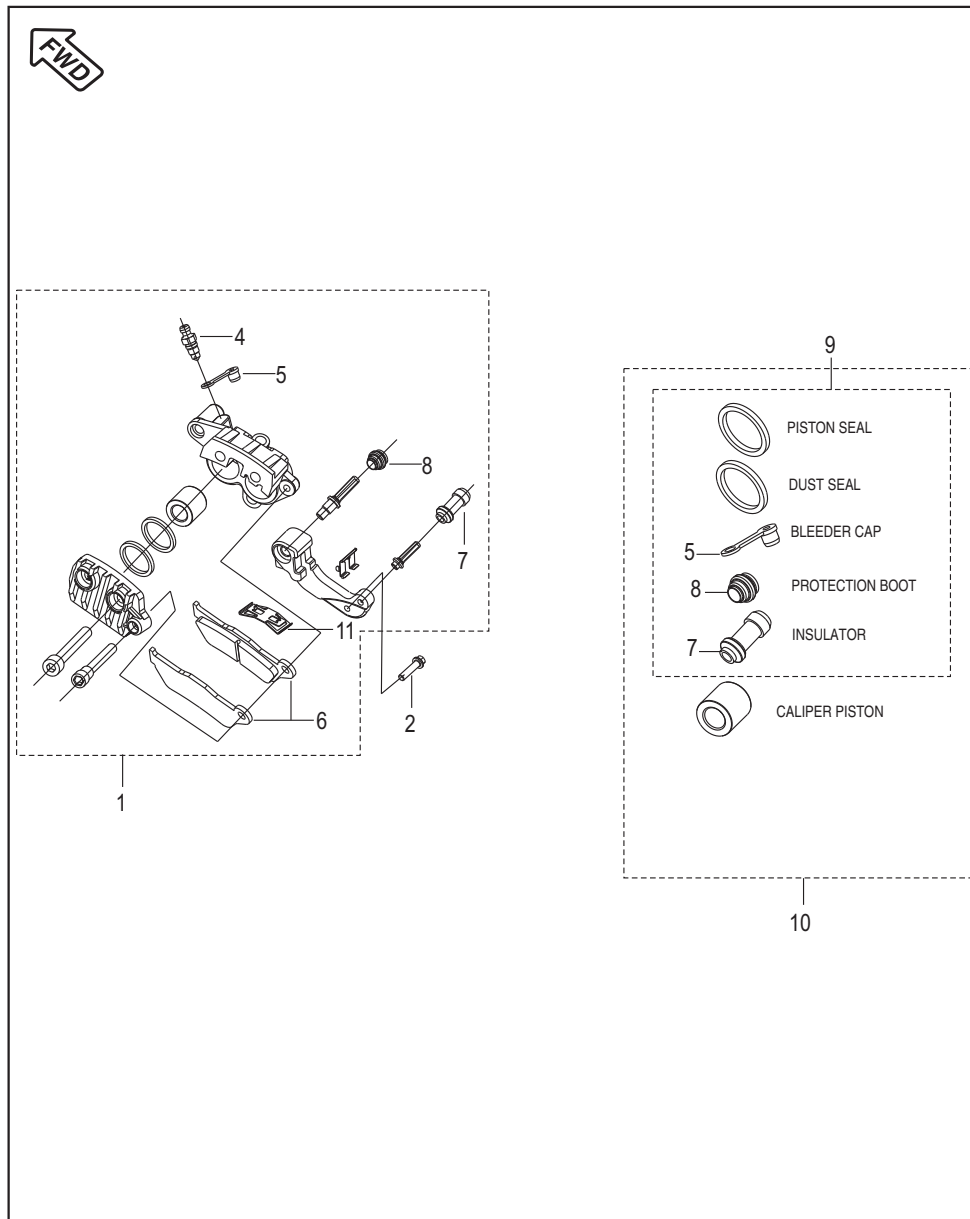
| No. | Part No. | Description | Qty. /Veh. | Remarks |
|-----|------------|--|------------|------------------|
| 1 | JC 1510 13 | Wheel rim | 1 | |
| 2 | 39 2241 20 | Bearing ball | 2 | |
| 3 | DK 1510 28 | Spacer assly. | 1 | |
| 4 | DG 1510 05 | Seal oil | 1 | |
| 5 | 39 0840 01 | Screw | 1 | |
| 6 | 39 0900 12 | Washer | 1 | |
| 7 | DK 1510 27 | Disc | 1 | |
| 8 | DH 1710 19 | U Nut | 1 | |
| 9 | DG 1510 08 | Plain washer | 1 | |
| 10 | DG 1510 49 | Hex. soc. hd. bolt | 6 | |
| 11 | JC 1510 20 | Case meter housing (W/o Speedo Sensor) | 1 | |
| 12 | DG 1510 07 | Coller | 1 | |
| 13 | DK 1510 08 | Front axle with head | 1 | |
| | DK 1510 95 | Front Axel | 1 | Ref. Cir. IB-141 |
| 14 | JC 2010 46 | Stopper plate | 1 | |
| 15 | DE 1510 08 | Seal Oil | 1 | |

Front Master Cylinder



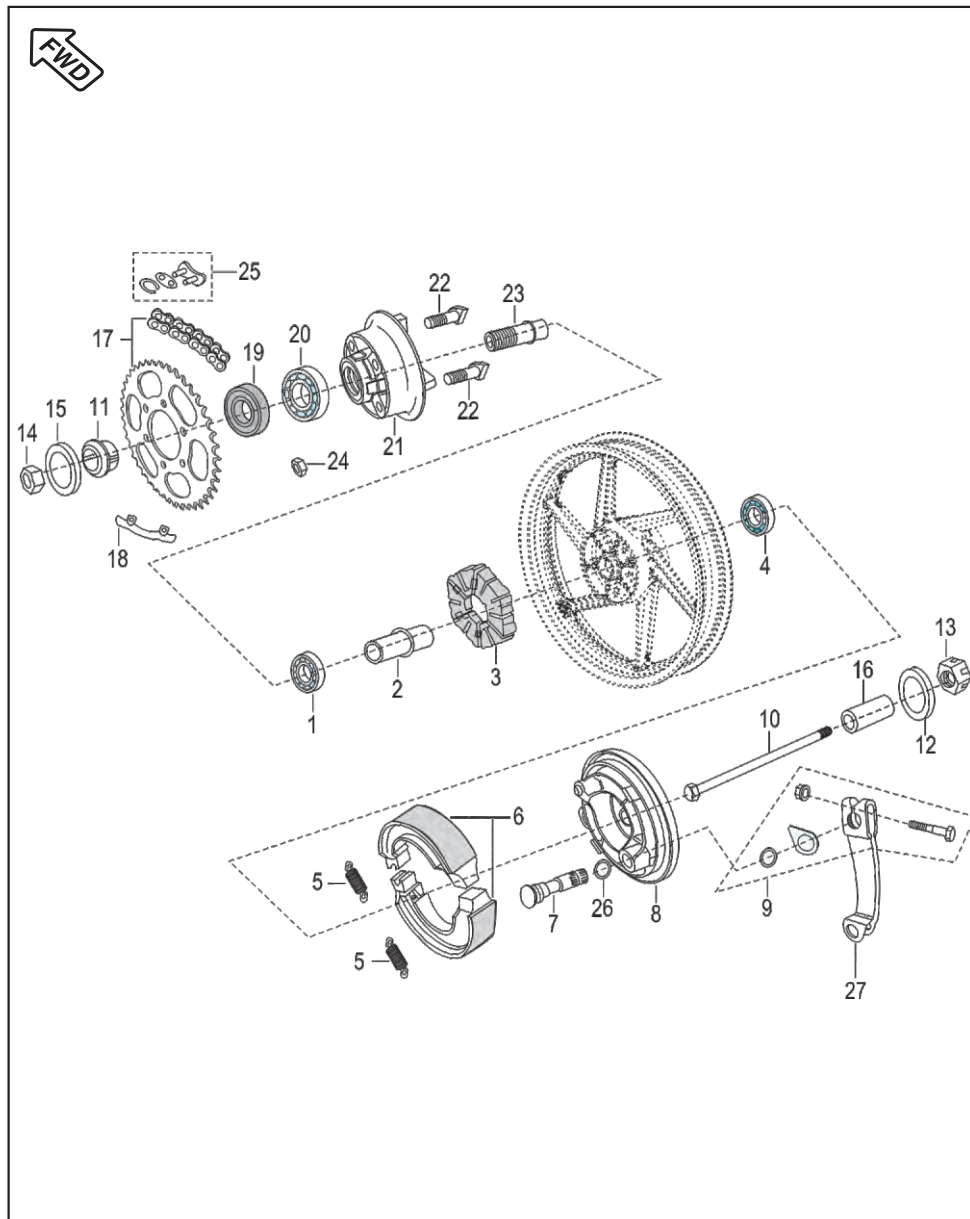
| No. | Part No. | Description | Qty. /Veh. | Remarks |
|-----|------------|-----------------------------|------------|---------|
| 1 | DE 1910 43 | Major Kit - Master Cylinder | 1 | BREMBO |
| 2 | DK 1510 57 | Hose Brake Front | 1 | |
| 3 | DJ 1910 57 | Lever Grip RH | 1 | BREMBO |
| 4 | DE 1910 11 | Banjo Bolt | 2 | |
| 5 | DE 1910 10 | Washer Copper | 4 | |
| 6 | DJ 1910 27 | Clamp Holder RH | 1 | |
| 7 | DJ 1910 28 | Bolt | 1 | |
| 8 | DJ 1910 29 | Bolt Front Brake Lever | 1 | |
| 9 | DJ 1910 30 | Nut Flanged | 1 | |
| 10 | DJ 1910 31 | Screw | 2 | |
| 11 | DJ 1910 56 | Cylinder Master | 1 | BREMBO |
| 12 | DJ 2011 09 | Front brake switch | 1 | |
| 13 | DJ 1910 34 | Reservoir Cover | 1 | |
| 14 | DJ 1910 35 | Diaphragm | 1 | |
| 15 | 36 DH19 02 | Oil Window Kit | 1 | |
| 16 | DJ 2011 08 | Cable assly for switch | 1 | |

Front Disc Brake



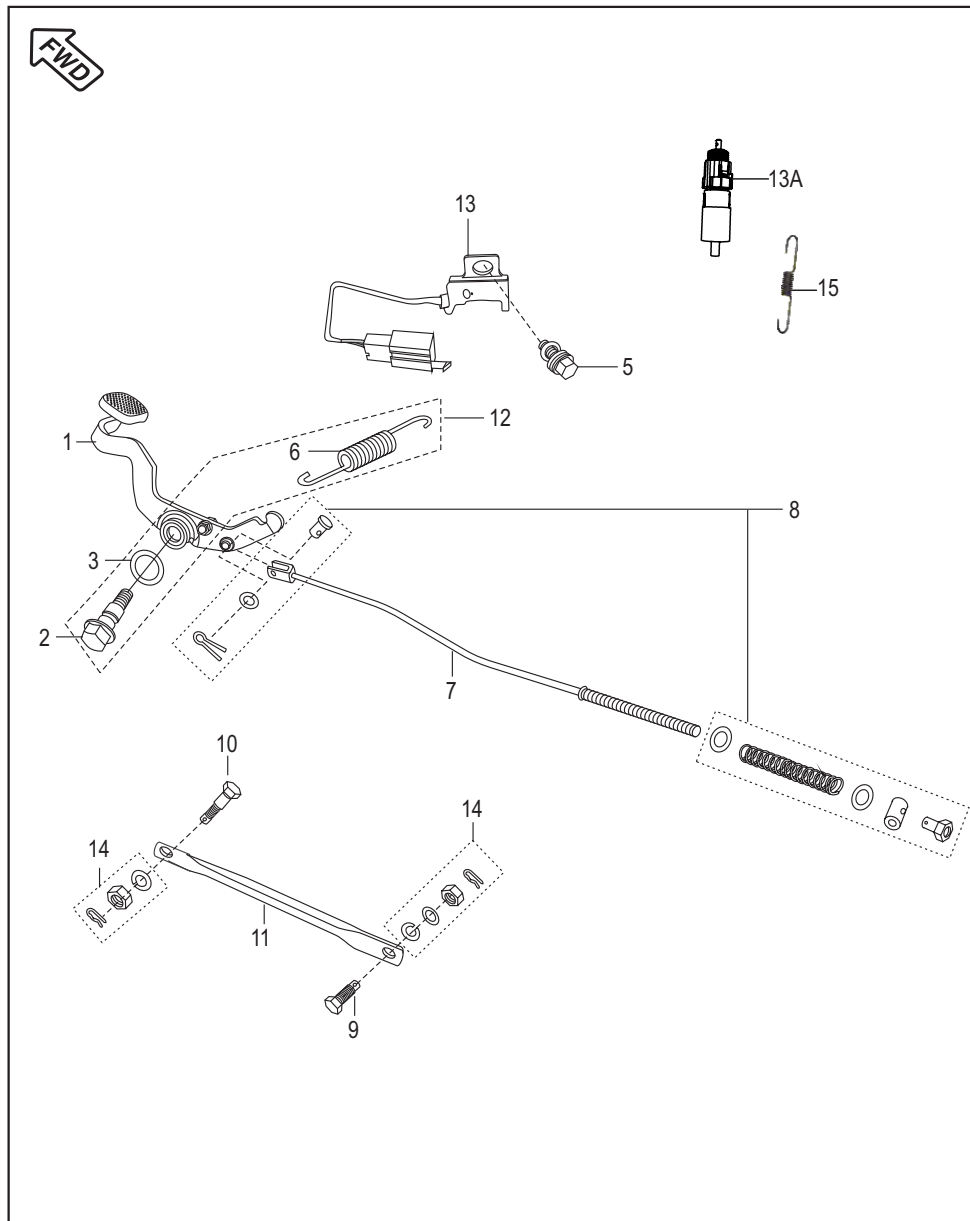
| No. | Part No. | Description | Qty. /Veh. | Remarks |
|-----|------------|-----------------------------|------------|---------|
| 1 | DE 1910 43 | Major Kit - Master Cylinder | 1 | BREMBO |
| 2 | DK 1510 57 | Hose Brake Front | 1 | |
| 3 | DJ 1910 57 | Lever Grip RH | 1 | BREMBO |
| 4 | DE 1910 11 | Banjo Bolt | 2 | |
| 5 | DE 1910 10 | Washer Copper | 4 | |
| 6 | DJ 1910 27 | Clamp Holder RH | 1 | |
| 7 | DJ 1910 28 | Bolt | 1 | |
| 8 | DJ 1910 29 | Bolt Front Brake Lever | 1 | |
| 9 | DJ 1910 30 | Nut Flanged | 1 | |
| 10 | DJ 1910 31 | Screw | 2 | |
| 11 | DJ 1910 56 | Cylinder Master | 1 | BREMBO |
| 12 | DJ 2011 09 | Front brake switch | 1 | |
| 13 | DJ 1910 34 | Reservoir Cover | 1 | |
| 14 | DJ 1910 35 | Diaphragm | 1 | |
| 15 | 36 DH19 02 | Oil Window Kit | 1 | |
| 16 | DJ 2011 08 | Cable assly for switch | 1 | |

Rear Hub



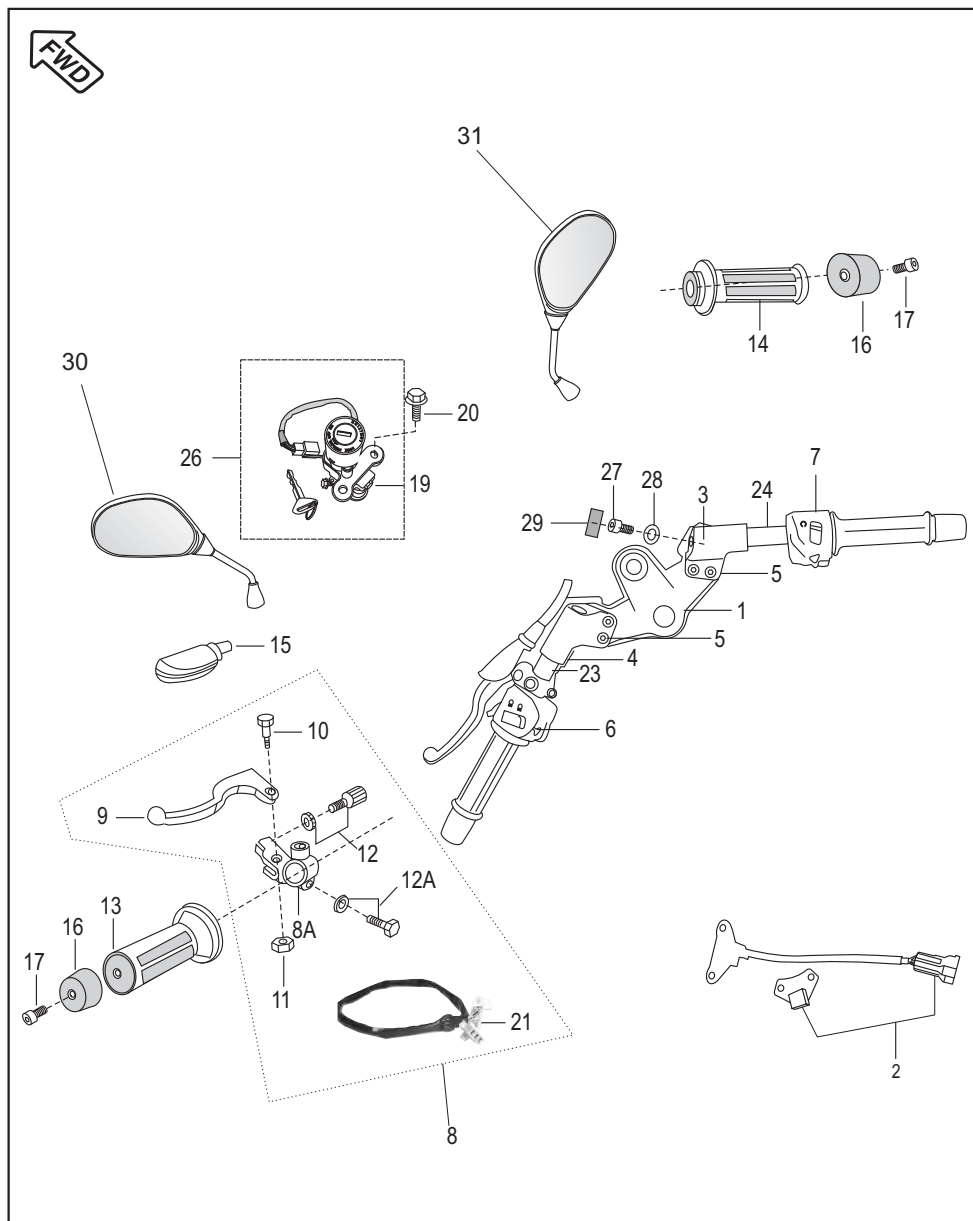
| No. | Part No. | Description | Qty. /Veh. | Remarks |
|-----|------------|----------------------------------|------------|--------------------|
| 1 | 39 2686 20 | Bearing ball | 1 | |
| 2 | DK 1510 22 | Collar bearing | 1 | |
| 3 | JG 1312 19 | Coupling Rubber | 1 | |
| 4 | 39 2687 20 | Bearing ball | 1 | |
| 5 | 30 1510 69 | Spring | 2 | |
| 6 | 30 1511 05 | Shoe brake assly. | 1 | |
| | JN 1318 12 | Shoe brake assly. (Non Asbestos) | 1 | |
| 7 | JC 1510 05 | Cam brake | 1 | N.S |
| | JC 1510 04 | Cam brake | 1 | Alt. For. JC151005 |
| 8 | JC 1510 02 | Panel rear brake | 1 | |
| 9 | 36 JC00 07 | Kit lever brake | 1 | Ref. Page No.102 |
| 10 | DK 1510 09 | Axle | 1 | |
| 11 | DK 1510 14 | Spacer For Coupling | 1 | |
| 12 | 39 1224 11 | Plain washer | 2 | |
| 13 | DH 1710 19 | 'U' nut | 1 | |
| 14 | 39 1997 15 | Nut | 1 | |
| 15 | 39 2566 11 | Plain washer | 1 | |
| 16 | JC 1510 11 | Spacer | 1 | |
| | DJ 1510 34 | Spacer | 1 | Alternate |
| 17 | 36 DK00 36 | Chain Sprocket Kit | 1 | Ref. Page No.102 |
| 18 | DS 1510 74 | Lock washer | 3 | |
| 19 | DK 1510 12 | Seal oil | 1 | |
| 20 | DK 1510 13 | Bearing ball | 1 | |
| 21 | JC 1510 16 | Coupling | 1 | |
| 22 | DS 1510 73 | Stud | 6 | |
| 23 | DK 1510 15 | Sleeve | 1 | |
| 24 | 39 0794 15 | Hex. lock nut | 6 | |
| 25 | DK 1510 36 | Drive Chain Lock | 1 | |
| 26 | 39 0722 11 | Washer Cam brake | 1 | |
| 27 | JC 1510 07 | Lever Brake | 1 | |

Rear Brake Pedal



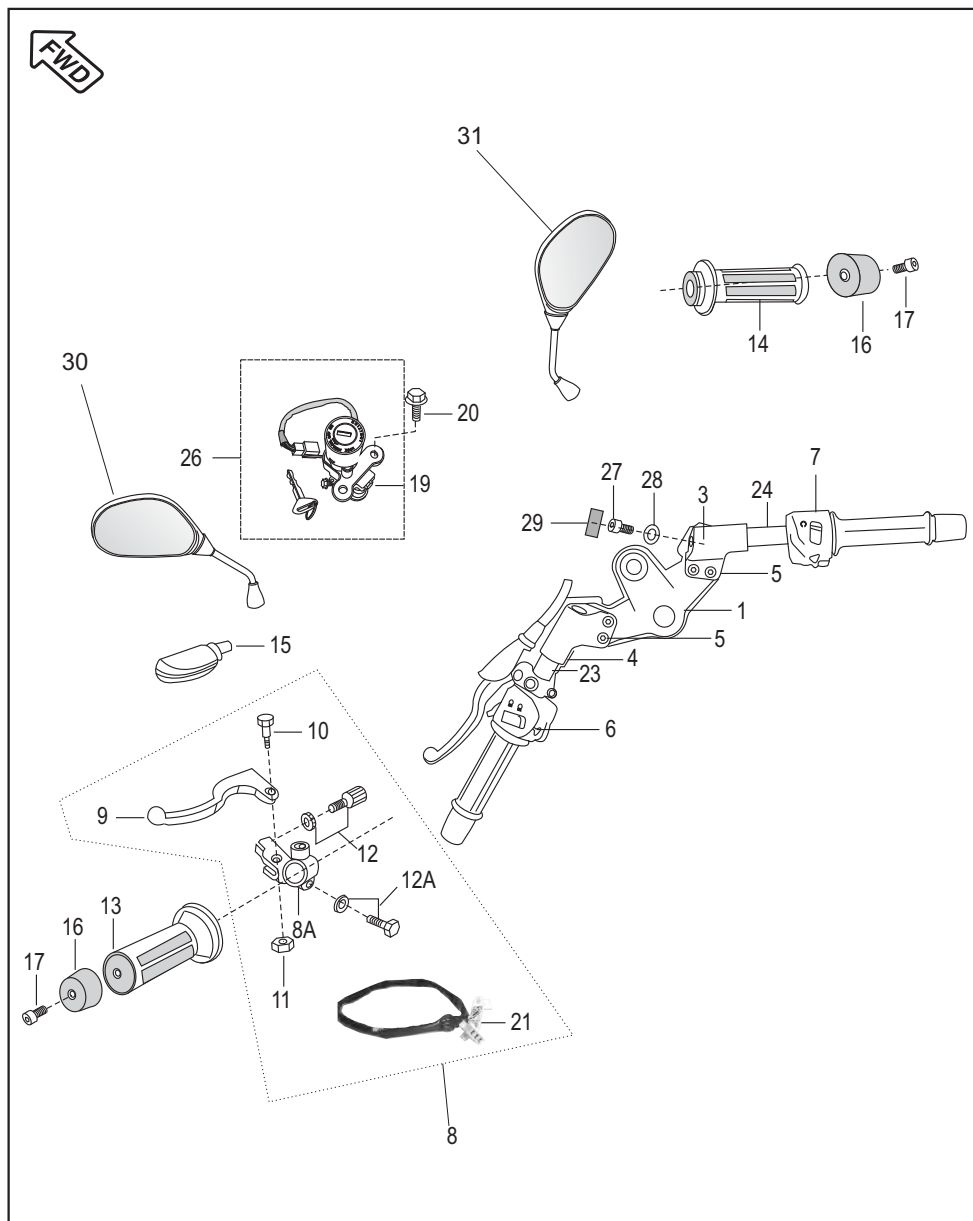
| No. | Part No. | Description | Qty. /Veh. | Remarks |
|-----|------------|-------------------------|------------|-------------------|
| 1 | JC 1910 01 | Lever Brake Pedal | 1 | |
| 2 | JC 1910 09 | Bolt Brake Pedal | 1 | |
| 3 | DK 1011 85 | Washer pivot bolt | 1 | |
| 4 | DK 1011 87 | Collar pivot bolt | 1 | N.I. |
| 5 | 39 2383 15 | Flange nut | 1 | |
| 6 | DK 1910 13 | Spring brake pedal | 1 | |
| 7 | JC 1910 02 | Rod brake | 1 | |
| 8 | 36 JC00 06 | Kit hardware rod brake | 1 | Refer Page No.102 |
| 9 | 30 1510 95 | Hex. bolt | 1 | |
| 10 | DH 1510 29 | Hex. bolt | 1 | |
| 11 | JC 1510 08 | Rod Torque | 1 | |
| 12 | 36 DK00 34 | Brake Pedal Kit | 1 | Refer Page No.102 |
| 13 | JC 2010 04 | Rear brake switch | 1 | |
| 13A | DJ 2012 53 | Rear Brake Switch Assly | 1 | From Oct. 2015 |
| 14 | 36 DH 4015 | Kit Hardware torque rod | 1 | |
| 15 | DJ 1511 21 | Spring Rear Switch | 1 | |

Handle Bar



| No. | Part No. | Description | Qty./Veh. | Remarks |
|-----|------------|--|-----------|--------------------|
| 1 | DK 1810 27 | Upper Bracket (Silver Color) | 1 | |
| | DK 1810 63 | Upper Bracket (Black Color) | 1 | |
| 2 | 36 DJ40 30 | Kit Hall Sensor (Blinker Self Cancellation) | 1 | Not Applicable |
| 3 | DK 1810 38 | Holder Handle Assly RH | 1 | |
| | DK 1810 85 | Holder handle RH (Silver Color) | 1 | from Jun.11 |
| | DK 1810 62 | Holder handle RH (Black Color) | 1 | |
| 4 | DK 1810 39 | Holder Handle Assly LH | 1 | |
| | DK 1810 81 | Holder handle LH (Silver Color) | 1 | from Jun.11 |
| | DK 1810 60 | Holder handle LH (Black Color) | 1 | |
| 5 | DG 1810 08 | Socket bolt | 4 | |
| 6 | JC 2010 17 | Control switch LH | 1 | |
| | JF 4014 00 | Control switch LH | 1 | For Argentina |
| 7 | JC 2010 18 | Control switch RH | 1 | |
| | JF 4014 01 | Control switch RH | 1 | |
| 8 | DJ 1910 82 | Lever & Support Holder Assly | 1 | |
| 8A | DJ 1910 54 | Holder LH | 1 | |
| | DJ 1910 81 | Holder LH (Transil Diode Type Clutch Switch) | 1 | |
| 9 | DJ 1910 55 | Lever LH | 1 | |
| | DJ 1910 83 | Lever LH (Transil Diode Type Clutch Switch) | 1 | from Chs. UCJ73042 |
| 10 | DL 1910 14 | Stud lever handle | 1 | |
| 11 | 39 1184 15 | Nut Nyloc M5 x 0.8 | 1 | |
| 12 | 36 DU19 01 | Kit adjusting Screw | 1 | |
| 12A | 39 1553 04 | Bolt Flange M6 | 1 | |
| 13 | DH 1910 07 | Grip LH | 1 | |
| 14 | DH 1910 08 | Grip RH | 1 | |
| 15 | DS 1910 52 | Boot for lever LH | 1 | |
| 16 | DJ 1810 11 | Handle bar weight | 2 | |
| 17 | 39 2427 04 | Hex. soc. hd. cap screw | 2 | |
| 18 | DS 1910 52 | Lever Boot for Clutch Switch | 1 | N.I. |
| 19 | JC 2010 45 | Switch assly. ignition | 1 | |
| 20 | 39 1680 04 | Flange bolt | 2 | |

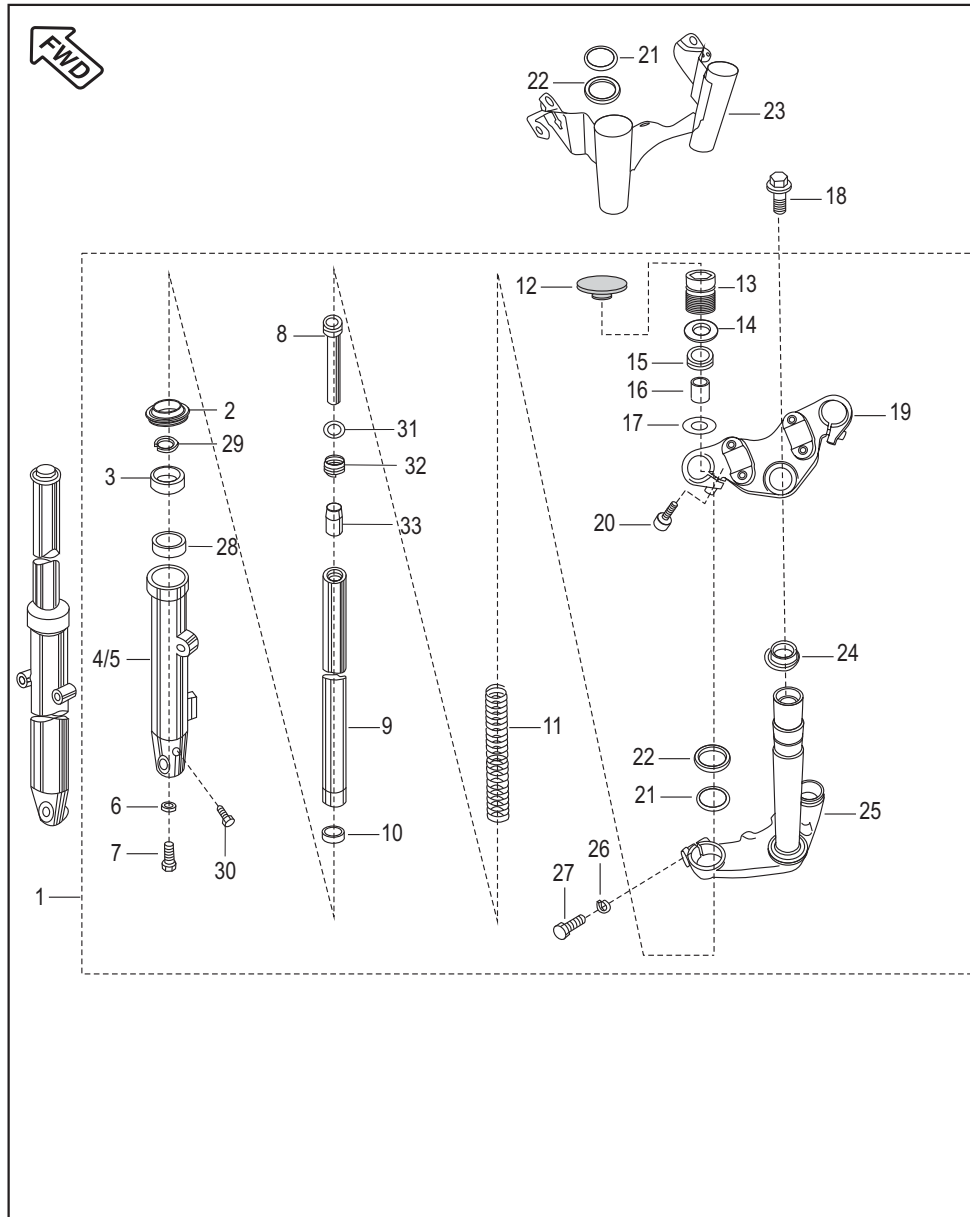
Handle Bar



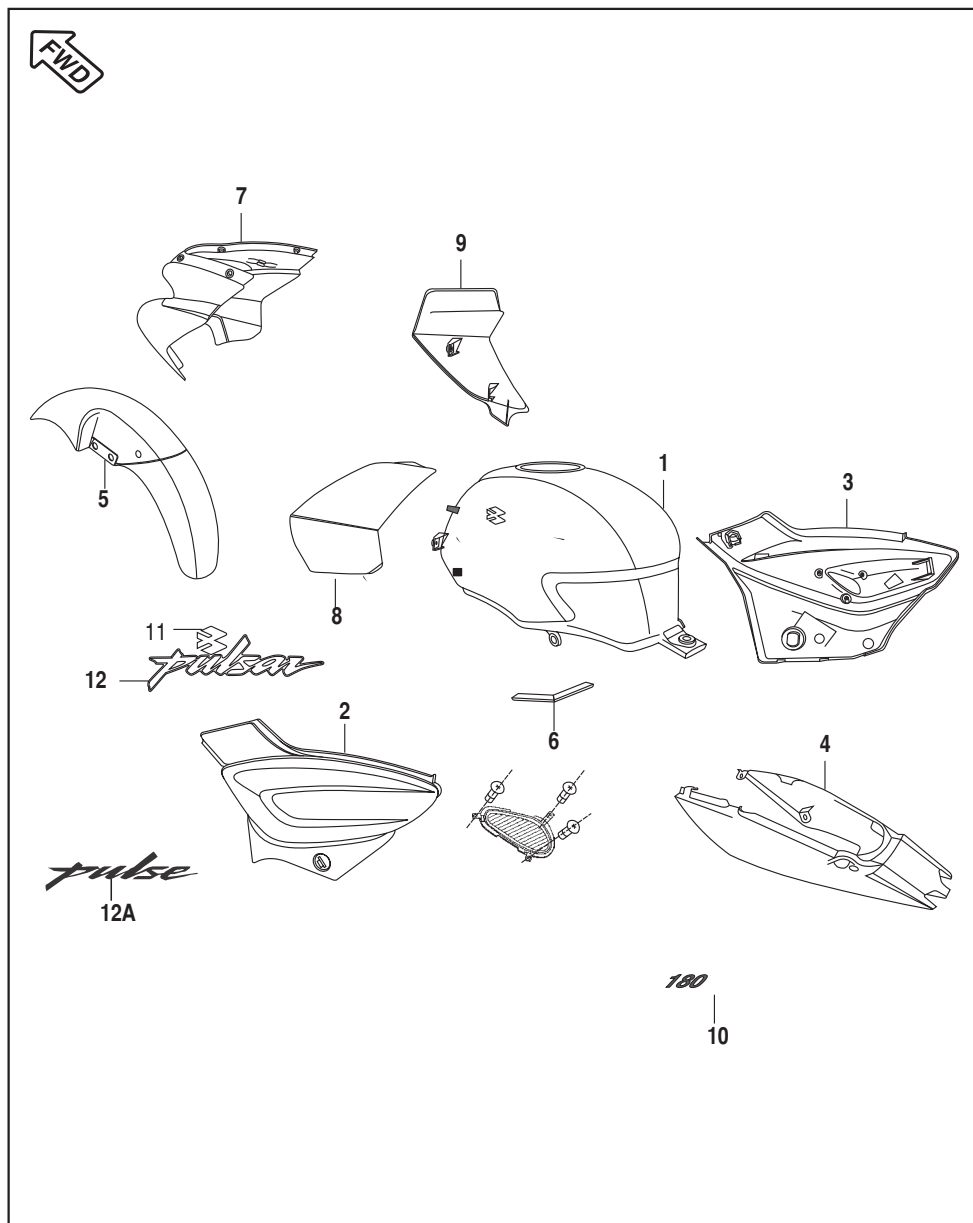
| No. | Part No. | Description | Qty./Veh. | Remarks |
|-----|------------|-------------------------------|-----------|--------------------|
| 21 | DJ 2011 95 | Clutch Switch | 1 | |
| | DJ 2012 46 | Clutch Switch (Transil Diode) | 1 | from Chs. UCJ73042 |
| 22 | DK 1810 36 | Handle bar plug | 2 | N.I. |
| 23 | DK 1810 82 | Handle bar tube assly. LH | 1 | |
| 24 | DK 1810 86 | Handle bar tube assly. RH | 1 | |
| 25 | DH 1910 17 | Pipe throttle | 1 | N.I. |
| 26 | JC 1810 29 | Lock set 4 in 1 | 1 | |
| | DH 1811 19 | Lock set 4 in 1 | 1 | w.e.f. July 2013 |
| 27 | DK 1810 58 | Bolt Handle Bar M8 X 40 | 2 | |
| | LA C000 20 | Bolt Handle Bar Socket Head * | 2 | from Jun11 |
| 28 | 39 1180 11 | Washer | 2 | |
| 29 | DK 1810 36 | Handle Bar Plug | 2 | |
| 30 | DJ 2210 03 | Mirror Assly. LH | 1 | |
| 31 | DJ 2210 04 | Mirror Assly. RH | 1 | |


Note - * The bolt (Sr. No. 27) Shank Length increased w.e.f. 15.05.2011
The new bolt, Holder Handle, Handle Bar Assly are not individually interchangeable with old one.

Front Fork



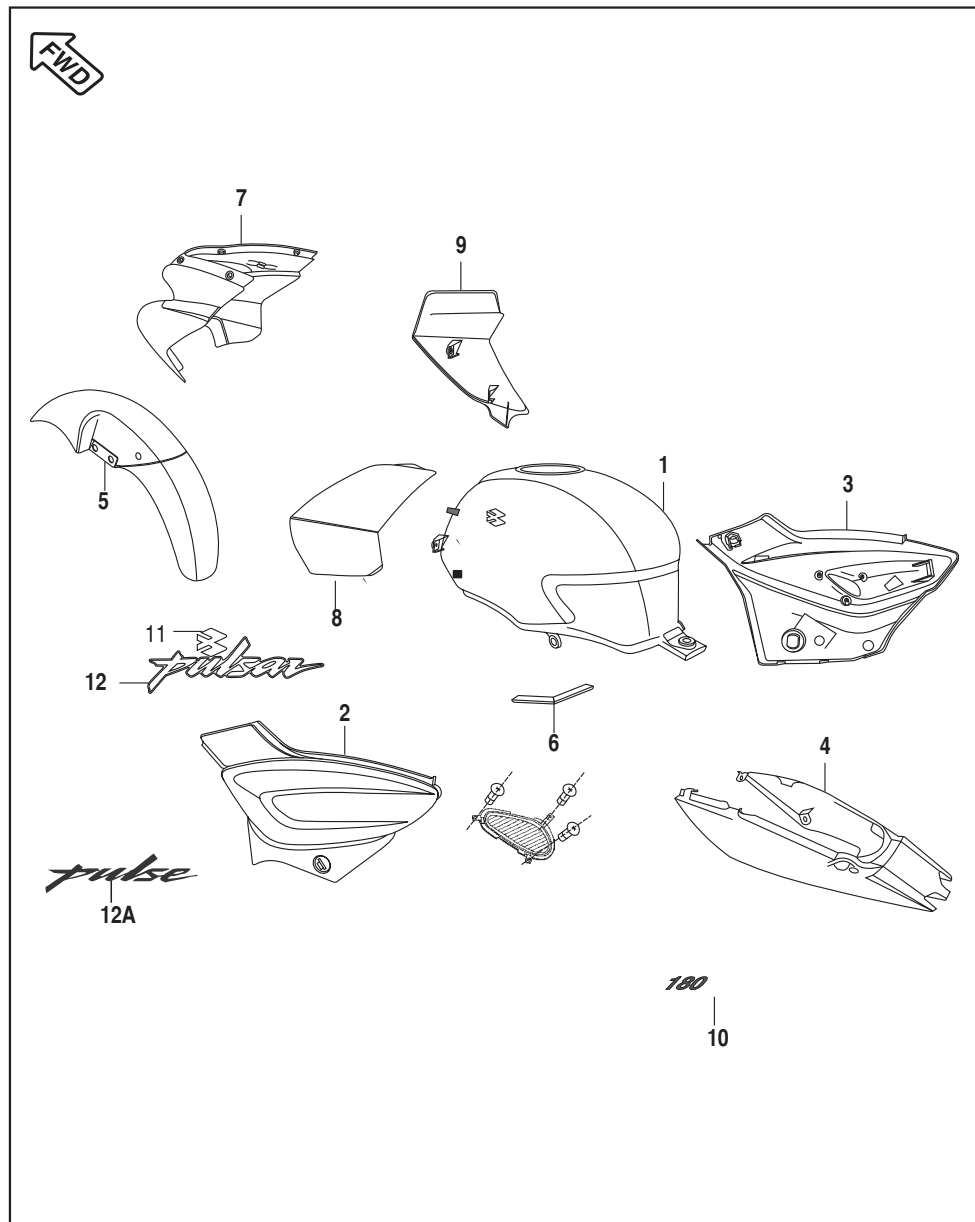
| No. | Part No. | Description | Qty./Veh. | Remarks |
|-----|------------|-----------------------------------|-----------|-------------------|
| 1 | DK 1810 72 | Fork front | 1 | |
| | DK 1810 87 | Front Fork Seal | 1 | Ref. Cir. IB- 141 |
| 2 | DK 1810 21 | Inner Dust Seal | 1 | |
| 3 | DK 1810 19 | Oil seal | 2 | |
| 4 | DK 1810 56 | Outer Tube LH | 1 | |
| | DK 1810 90 | Outer Tube LH | 1 | Ref. Cir. IB-141 |
| 5 | DK 1810 57 | Outer Tube RH | 1 | |
| | DK 1810 91 | Outer Tube RH | 1 | Ref. Cir. IB-141 |
| 6 | DK 1810 07 | Copper Washer | 2 | |
| 7 | DK 1810 06 | Socket Headed Bolt M10 X 1.5 X 35 | 2 | |
| 8 | DK 1810 10 | Seat Pipe | 2 | |
| 9 | DK 1810 70 | Pipe comp. suspension inner | 2 | |
| 10 | DK 1810 11 | Slide Bush | 2 | |
| 11 | DK 1810 73 | Spring front fork | 2 | |
| 12 | DH 1810 09 | Grommet Top | 2 | |
| 13 | DK 1810 22 | Bolt fork | 2 | |
| 14 | DK 1810 23 | 'O' ring | 2 | |
| 15 | 31 1811 01 | Seat fork spring | 2 | |
| 16 | DK 1810 71 | Spacer Tube | 2 | N.S |
| | DK 1810 93 | Spacer Tube | 2 | Ref. Cir. IB-141 |
| 17 | DK 1810 18 | Washer | 2 | |
| 18 | 59 0400 05 | Bolt | 1 | |
| 19 | DK 1810 27 | Holder fork upper | 1 | |
| 20 | DG 1810 08 | Socket Bolt | 2 | |
| 21 | JC 1810 23 | Cushion Rubber | 2 | |
| 22 | JC 1810 22 | Cover Trail B | 4 | |
| 23 | JC 1810 24 | Lamp Shade asly. | 1 | |
| 24 | DG 1810 45 | Bearing cone | 1 | |
| 25 | DK 1810 24 | Holder fork under | 1 | |
| 26 | DK 1810 25 | Spring washer | 2 | |
| 27 | DK 1810 26 | Bolt | 2 | |
| 28 | DK 1810 17 | Guide Bush | 1 | |
| 29 | DK 1810 20 | Oil Seal Stopper | 2 | |
| 30 | DK 1810 08 | Bolt | 2 | |
| 31 | DK 1810 12 | Piston Ring | 2 | |
| 32 | DK 1810 13 | Rebound Spring | 2 | |
| 33 | DK 1810 09 | Cap Oil Lock | 2 | |



 Front Wheel Direction

Painted Parts & Decals

| No. | Part No. | Description | Qty./Veh. | Remarks |
|------------|----------------------|---------------------------|-----------|-----------------------|
| 1 | DJ 7201 4M | Fuel Tank with Decal | 1 | Midnight Black N.s |
| | 52 DJ05 69 | Fuel Tank UP E Black | 1 | Alternate |
| | DJ 7201 2V | Fuel Tank with Decal | 1 | Cocktail Wine Red |
| | DJ 7201 4K | Fuel Tank with Decal | 1 | Plasma Blue |
| | DJ 7201 4L | Fuel Tank with Decal | 1 | Misty Gray Silver |
| | DJ 7201 5C | Fuel Tank with Decal | 1 | Orange Mica |
| | DJ 7107 5G | Fuel Tank With Dual Decal | 1 | PI Blue |
| | DJ 7107 5F | Fuel Tank With Dual Decal | 1 | Cw Red |
| | DJ 7202 2V | Tank Fuel Pulse Iran | 1 | CW Red |
| | DJ 7202 4M | Tank Fuel Pulse Iran | 1 | Midnight Black |
| DJ 7202 4K | Tank Fuel Pulse Iran | 1 | Blue | |
| 2 | 52 DH05 34 | Side cover LH | 1 | Midnight Black |
| | 52 DH05 30 | Side cover LH | 1 | Cocktail Wine Red |
| | 52 DH05 28 | Side cover LH | 1 | Plasma Blue |
| | 52 DH05 32 | Side cover LH | 1 | Misty Gray Silver N.S |
| | 52 DK55 06 | Side cover LH | 1 | Alt. For. 52DH0532 |
| 3 | 52 DH05 35 | Side cover RH | 1 | Midnight Black |
| | 52 DH05 31 | Side cover RH | 1 | Cocktail Wine Red |
| | 52 DH05 29 | Side cover RH | 1 | Plasma Blue |
| | 52 DH05 33 | Side cover RH | 1 | Misty Gray Silver N.S |
| | 52 DK55 07 | Side cover RH | 1 | Alt.For.52dh0533 |
| 4 | DH 7303 4M | Seat Cowl Assly. | 1 | Midnight Black |
| | DH 7303 2V | Seat Cowl Assly. | 1 | Cocktail Wine Red |
| | DH 7303 4K | Seat Cowl Assly. | 1 | Plasma Blue |
| | DH 7303 4L | Seat Cowl Assly. | 1 | Misty Gray Silver N.S |
| | 52 Dk00 27 | Seat Cowl Assly. | 1 | Alt. For dh73034L |
| | DH 7303 5L | Seat Cowl Assly. | 1 | Orange Mica N.S |
| | 52 DJ04 51 | Seat Cowl Assly. | 1 | Blue |
| 5 | DK 7402 2T | Front Fender | 1 | Misty Gray Silver N.S |
| | 52 Dk00 13 | Frony Fender | 1 | Alt.For. DK740227 |
| | DK 7304 2V | Front Fender | 1 | Cocktail Wine Red |
| | DK 7402 3A | Front Fender | 1 | Plasma Blue N.S |
| | DK 7402 X3 | Front Fender | 1 | Ebony Black |
| 6 | DH 1410 20 | Seat tape | 1 | |
| 7 | DH 7401 4M | Fairing | 1 | Midnight Black |
| | DJ 7401 2V | Fairing | 1 | Cocktail Wine Red |
| | DH 7401 4K | Fairing | 1 | Plasma Blue |
| | DH 7401 4L | Fairing | 1 | Misty Gray Silver N.S |
| | DJ 1810 90 | Faring | 1 | Alt of DH 7401 4L |
| | DH 7401 5C | Fairing | 1 | Orange Mica |



FWD Front Wheel Direction

Plate No.: 38

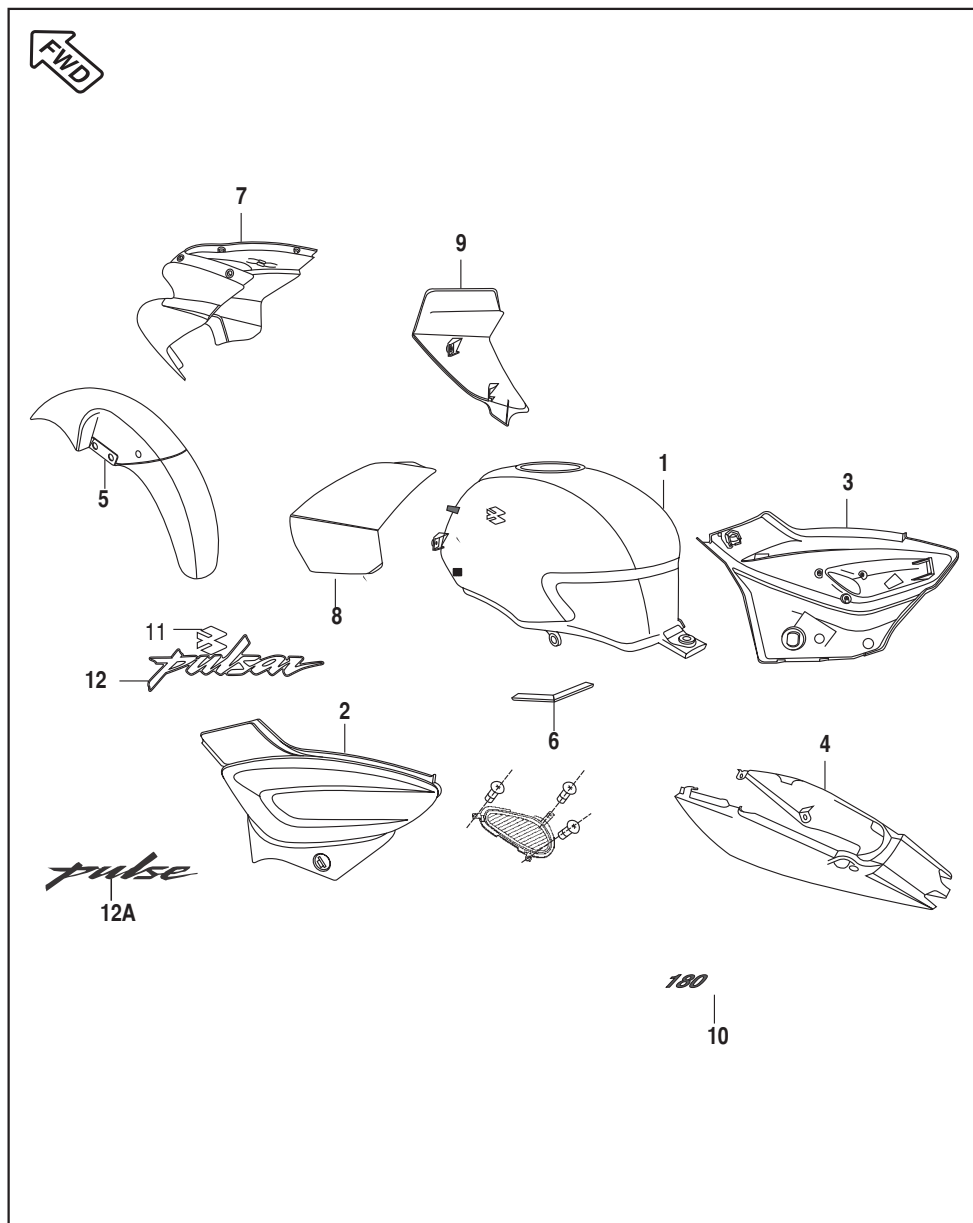
Painted Parts & Decals

| No. | Part No. | Description | Qty./Veh. | Remarks |
|-----|------------|-------------------------------------|-----------|-----------------------|
| | 52 DH06 83 | Fairing with Dual Decal | 1 | Pl Blue |
| | 52 DH06 82 | Fairing with Dual Decal | 1 | Cw Red |
| 8 | 52 DJ03 63 | Tank Flap LH | 1 | Midnight Black |
| | 52 DJ03 57 | Tank Flap LH | 1 | Cocktail Wine Red |
| | 52 DJ03 59 | Tank Flap LH | 1 | Plasma Blue |
| | 52 DJ03 61 | Tank Flap LH | 1 | Misty Gray Silver |
| | 52 DJ04 08 | Tank Flap LH | 1 | Orange Mica |
| 9 | 52 DJ03 64 | Tank Flap RH | 1 | Midnight Black |
| | 52 DJ03 58 | Tank Flap RH | 1 | Cocktail Wine Red |
| | 52 DJ03 60 | Tank Flap RH | 1 | Plasma Blue |
| | 52 DJ03 62 | Tank Flap RH | 1 | Misty Gray Silver |
| | 52 DJ04 09 | Tank Flap RH | 1 | Orange Mica |
| 10 | DJ 1613 07 | Seat Cowl Decal | 2 | Black (Ref.Cir.C-20) |
| | DJ 1613 04 | Seat Cowl Decal | 2 | Red (Ref.Cir.C-20) |
| | DJ 1613 05 | Seat Cowl Decal | 2 | Blue (Ref.Cir.C-20) |
| | DJ 1613 06 | Seat Cowl Decal | 2 | Silver (Ref.Cir.C-20) |
| | DJ 1613 13 | Seat Cowl Decal | 2 | Ref. Cir. C-27 |
| 11 | JC 1410 51 | 'B' Monogram Tank Black Chrome | 2 | For Silver Colour |
| | JC 1410 50 | 'B' Monogram Tank Gray Chrome Decal | 2 | For Black,Blue,Red |
| 12 | 36 JC00 08 | Decal Kit LH (Black Chrome) | 1 | For Silver Colour |
| | 36 JC00 09 | Decal Kit RH(Black Chrome) | 1 | For Silver Colour |
| | DJ 1613 73 | Decal Kit LH(Grey Chrome) | 1 | For Black,Blue,Red |
| | DJ 1613 74 | Decal Kit RH(Grey Chrome) | 1 | For Black,Blue,Red |

Dual Color Decals



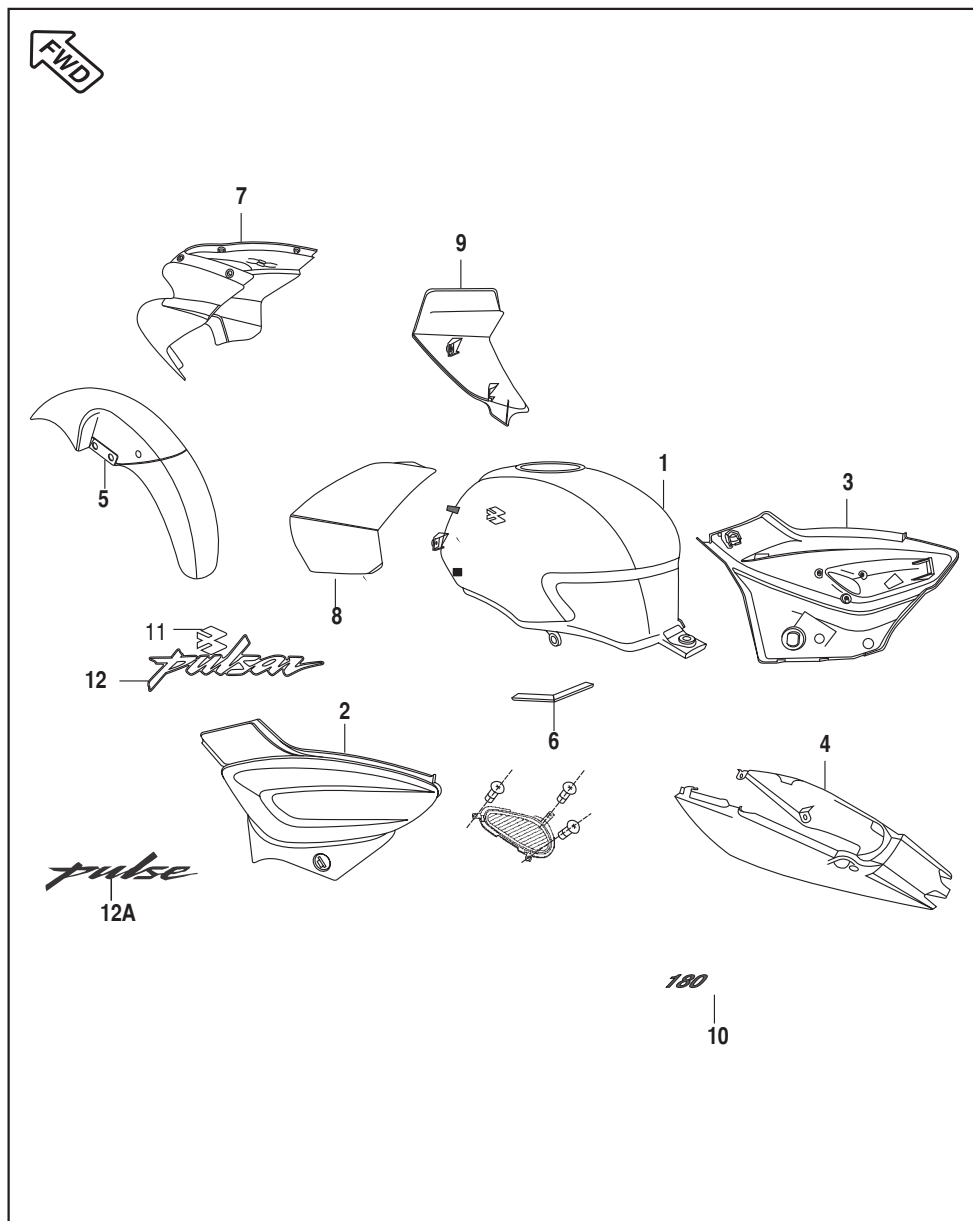
| No. | Part No. | Description | Qty. /Veh. | Remarks |
|--|------------|---------------------------|------------|---------|
| 1 | 36 DH40 35 | Kit Fairing Decal Blue | 1 | |
| | 36 DH40 38 | Kit Fairing Decal Red | 1 | |
| 2 | 36 DH40 34 | Kit Tank Decal Blue | 1 | |
| | 36 DH40 37 | Kit Tank Decal Red | 1 | |
| 3 | 36 DK00 84 | Kit Side Cover Decal Blue | 1 | |
| | 36 DK00 88 | Kit Side Cover Decal Blue | 1 | |
| 4 | 36 DJ40 23 | Kit Seat Cowl Decal Blue | 1 | |
| | 36 DJ40 24 | Kit Seat Cowl Decal Red | 1 | |
| <p>Note - For Plasma Blue & Passion Red Dual Color Decal Vehicles - The Seat Cowl & Side Cover - Black Color is common. (to be used along with above Decal Set.)</p> | | | | |



Dual Color Decals

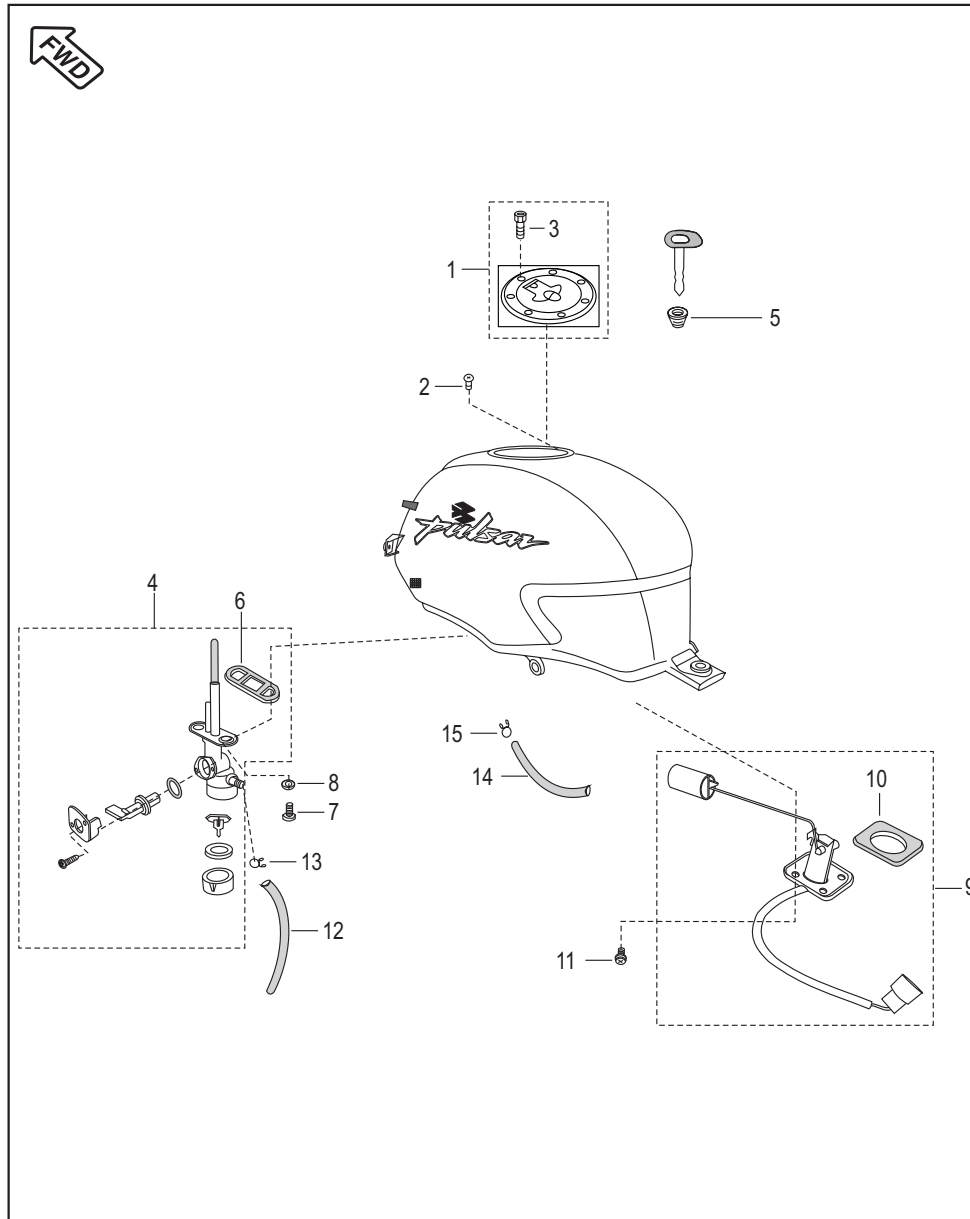
| No. | Part No. | Description | Qty./Veh. | Remarks |
|-----|---------------|---------------------------------------|-----------|-----------------------------|
| 1 | 52 DJ05 57 | Tank Fuel E Black + M White Dcl | 1 | |
| | 52 DJ05 56 | Tank Fuel E Black + S Blue Dcl | 1 | |
| | 52 DJ05 55 | Tank Fuel E Black + CW Red Dcl | 1 | |
| | 52 DJ06 25 | Tank Fuel E. Black + Chrome dcl | 1 | |
| | 52 DJ05 73 | Tank Fuel Pulse E Black + CW Red Dcl | 1 | |
| | 52 DJ05 74 | Tank Fuel Pulse E Black + S Blue Dcl | 1 | |
| | 52 DJ05 75 | Tank Fuel Pulse E Black + M White Dcl | 1 | |
| 2 | 52 DH06 75 | Side cover LH with Dual Decal | 1 | Blue Decal |
| | 52 DH06 73 | Side cover LH with Dual Decal | 1 | Red Decal |
| | 52 DJ05 32 | Side cover LH | 1 | Saffire blue Ref Cir IB-102 |
| | 52 DJ05 36 | Side cover LH | 1 | Wine Red Ref Cir Ib102 |
| | 52 DJ05 34 | Side Cover LH | 1 | M white Ref Cir. IB 102 |
| | 52 DJ05 62 | Side Cover LH | 1 | E.Black |
| | 52 DH06 76 | Side cover RH with Dual Decal | 1 | Blue Decal |
| | 52 DH06 74 | Side cover RH with Dual Decal | 1 | Red Decal |
| | 52 DJ05 33 | Side cover RH | 1 | Saffire blue Ref Cir IB 102 |
| | 52 DJ05 37 | Side cover RH | 1 | Wine red Ref Cir IB 102 |
| 3 | 52 DJ05 35 | Side Cover RH | 1 | M white Ref Cir IB- 102 |
| | 52 DJ05 63 | Side Cover RH | 1 | E.Black |
| | 52 DJ05 29 | Seat Cowl Assly. | 1 | Saffire Blue Ref Cir Ib102 |
| | 52 DJ04 50 | Seat Cowl Assly. | 1 | red |
| | 52 DJ05 31 | Seat Cowl Assly. | 1 | Wine Red Ref Cir Ib102 |
| | 56 DK45 5Y | Seat Cowl Assly | 1 | M white Ref Cir IB- 102 |
| | 52 DK45 X3 | Seat Cowl Assly | 1 | E. Black |
| 4 | 52 Dj05 22 | Front fender | 1 | Wine Red Ref Cir IB 102 |
| | DK 7304 4K | Front Fender | 1 | Plasma Blue |
| | 52 Dj05 20 | Front Fender | 1 | Suffire Blue Ref Cir Ib102 |
| | 52 Dj05 21 | Front Fender | 1 | M white Ref Cir,IB-102 |
| | 52 DH 1410 20 | Seat tape | 1 | |
| 5 | 52 DJ05 17 | Fairing | 1 | Saffire blue Ref Ci IB- 102 |
| | 52 DJ05 19 | Fairing | 1 | Wine Red |
| | 52 DJ05 18 | Fairing black | 1 | M white Ref Cir IB 102 |
| | 52 DJ05 66 | Fairing | 1 | E.Black |
| | 52 Dj04 85 | Tank Flap LH | 1 | Plasma Blue |
| | 52 Dj05 23 | Tank Flap LH | 1 | Saffire blue Ref Cir Ib102 |
| 6 | 52 Dj04 89 | Tank flap LH | 1 | Red |
| | 52 Dj05 27 | Tank Flap LH | 1 | Wine Red Ref Cir, IB 102 |
| | 52 Dj05 25 | Tank Flap LH | 1 | M white Ref Cir IB-102 |
| | 52 DJ05 67 | Tank Flap LH | 1 | E.Black N.S |
| | 52 Dj04 86 | Tank Flap RH | 1 | Plasma blue |
| | 52 DJ05 24 | Tank Flap RH | 1 | Saffire blue Ref Cir Ib102 |
| | 52 Dj04 90 | Tank Flap RH | 1 | Red |
| | 52 Dj05 28 | Tank flap RH | 1 | Wine Red Ref Cir IB 102 |
| | 52 Dj05 26 | Tank Flap RH | 1 | M White Ref Cir. IB-102 |
| | 52 DJ05 68 | Tank Flap RH | 1 | E.Black N.S |
| 7 | DJ 1613 07 | Seat Cowl Decal | 2 | Black (Ref.Cir.C-20) |
| | DJ 1613 04 | Seat Cowl Decal | 2 | Red (Ref.Cir.C-20) |
| | DJ 1613 05 | Seat Cowl Decal | 2 | Blue (Ref.Cir.C-20) |

Dual Color Decals



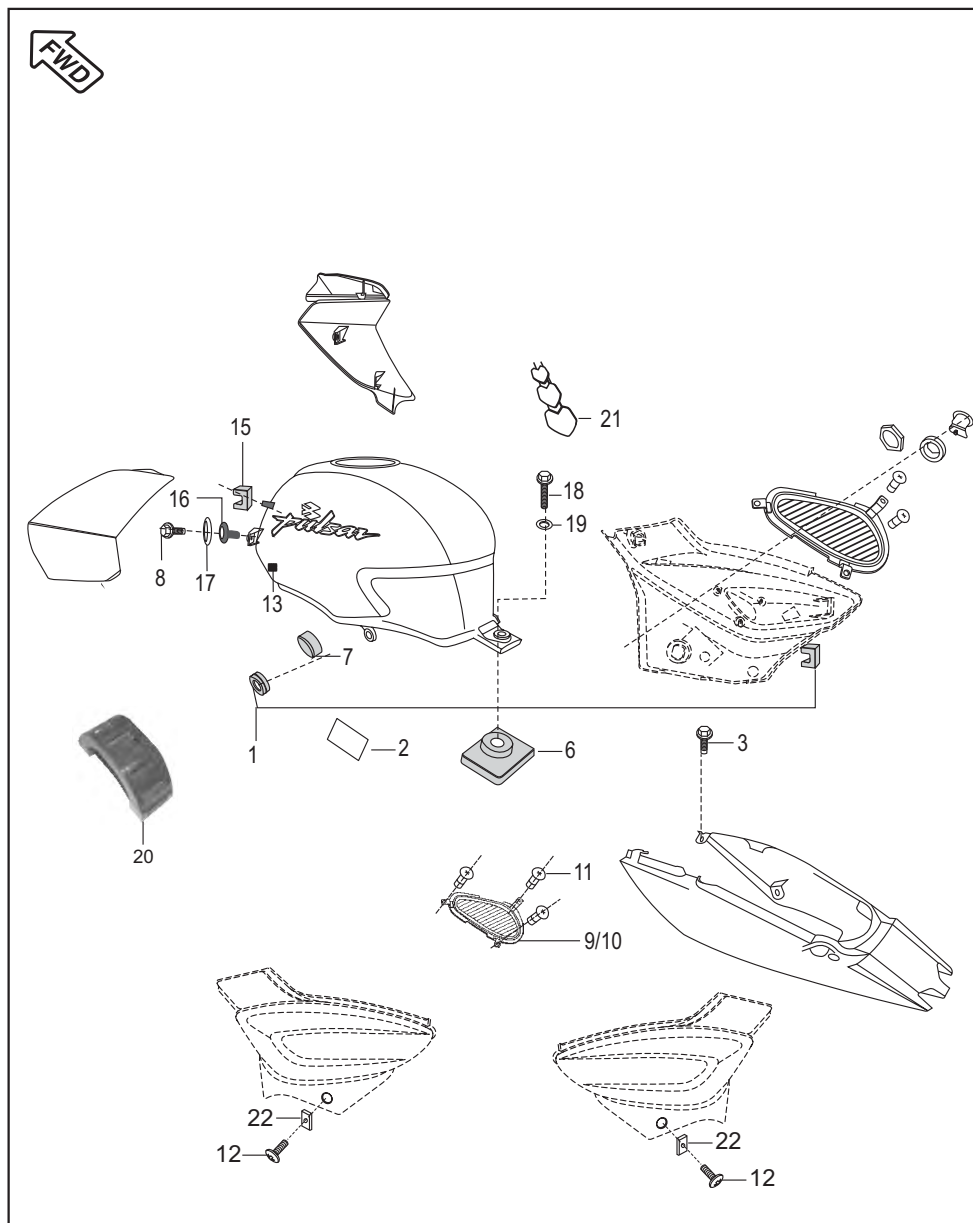
| No. | Part No. | Description | Qty./Veh. | Remarks |
|-----|------------|-------------------------------------|-----------|---------------------------|
| | DJ 1613 06 | Seat Cowl Decal | 2 | Silver (Ref.Cir.C-20) |
| | DJ 1613 13 | Seat Cowl Decal | 2 | Ref. Cir. C-27 |
| 11 | JC 1410 51 | 'B' Monogram Tank Black Chrome | 2 | For Silver Colour |
| | JC 1410 50 | 'B' Monogram Tank Gray Chrome Decal | 2 | For Black,Blue,Red Colour |
| 12 | DJ 1614 03 | Tank 3D Decal Satin Chrome LH | 1 | Ref. cir. IB-234 |
| | DJ 1614 04 | Tank 3d Decal Satin Chrome RH | 1 | Ref. cir. IB-234 |
| 12A | JC 1410 59 | Decal Gray Chrome (Pulse) | 2 | For Iran |
| | JC 1410 61 | Decal Black Chrome (Pulse) | 2 | For Iran |
| 13 | DJ 1410 61 | Rubber Beading (On Flap) | 2 | N.I. |
| 14 | 36 DJ40 47 | Kit tank dcl m metallic-k2 | 1 | N.I Extn. Cir IB-102 |
| | 36 DJ40 48 | Kit tank dcl S Blue-k2 | 1 | N.I Extn. Cir IB-102 |
| | 36 DJ40 46 | Kit tank dcl W Red-k2 | 1 | N.I Extn. Cir IB-102 |
| 15 | 36 DJ40 38 | Kit Fairing Decal M White K2 | 1 | N.I Extn. Cir IB-102 |
| | 36 DJ40 39 | Kit Fairing Decal S Blue K2 | 1 | N.I Extn. Cir IB-102 |
| | 36 DJ40 37 | Kit Fairing Decal W Red K2 | 1 | N.I Extn. Cir IB-102 |
| 16 | 36 DJ40 50 | Kit Tank Spoiler Dcl M White K2 | 1 | N.I Extn. Cir IB-102 |
| | 36 DJ40 51 | Kit Tank Spoiler Dcl S Blue K2 | 1 | N.I Extn. Cir IB-102 |
| | 36 DJ40 49 | Kit Tank Spoiler Dcl W Red K2 | 1 | N.I Extn. Cir IB-102 |
| 17 | 36 DJ40 41 | Kit S Cowl Dcl M White | 1 | NI Extn. Cir IB-102 |
| | 36 DJ40 42 | Kit S Cowl Dcl S Blue | 1 | NI Extn. Cir IB-102 |
| | 36 DJ40 40 | Kit S Cowl Dcl W Red | 1 | NI Extn. Cir IB-102 |
| 18 | 36 DK01 05 | Kit Pulsar Dcl Satin Crome -LH | 1 | NI Extn. Cir IB-102 |
| | 36 DK01 06 | Kit Pulsar Dcl Satin Crome -RH | 1 | NI Extn. Cir IB-102 |
| 19 | 36 DJ40 44 | Kit S Cover Dcl M White K2/K3 | 1 | NI Extn. Cir IB-102 |
| | 36 DJ40 45 | Kit S Cover Dcl S Blue K2/K3 | 1 | NI Extn. Cir IB-102 |
| | 36 DJ40 43 | Kit S Cover Dcl W Red K2/K3 | 1 | NI Extn. Cir IB-102 |

Petrol Cock, Cap Tank & Gauge Fuel



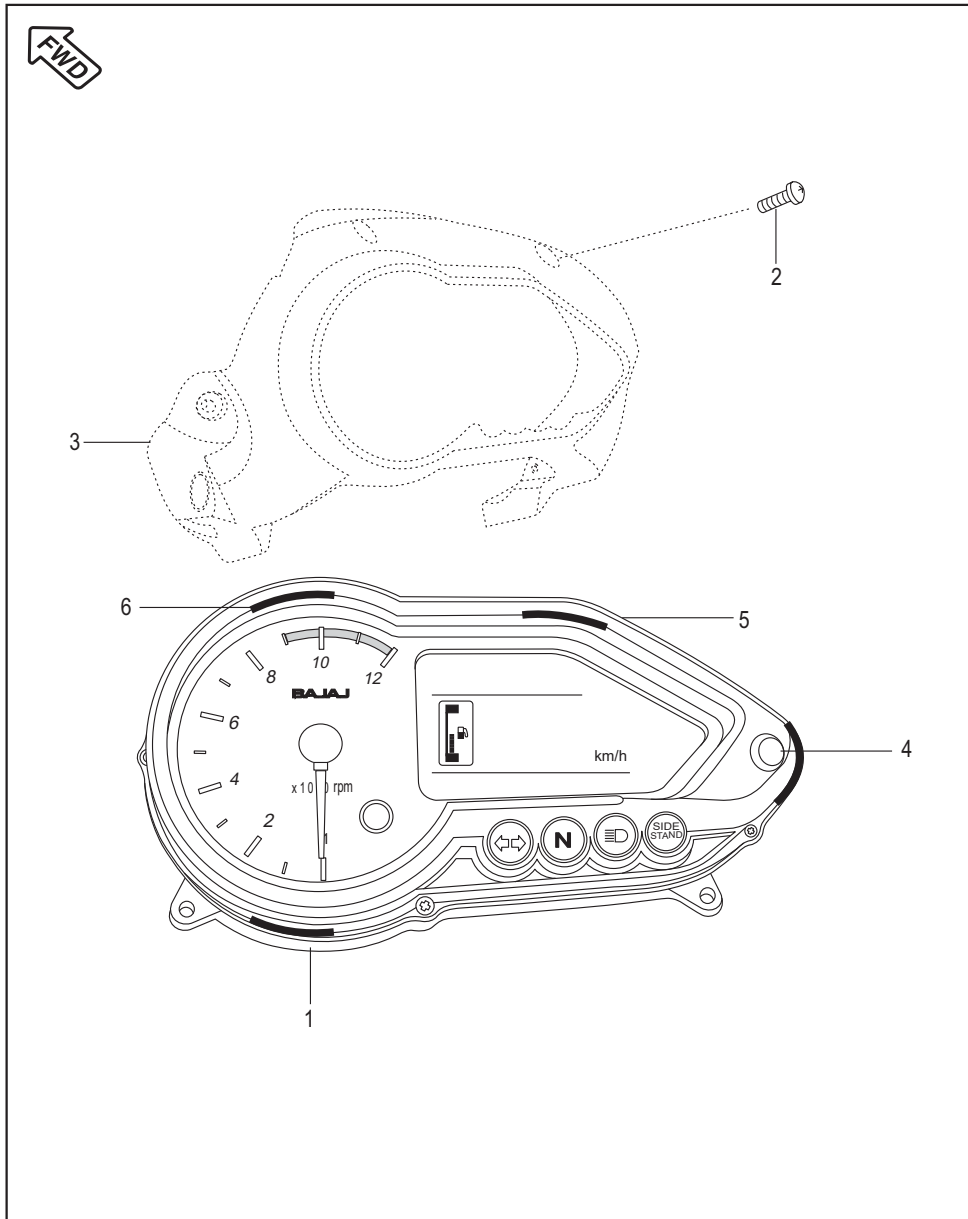
| No. | Part No. | Description | Qty. /Veh. | Remarks |
|-----|------------|-------------------------|------------|------------------|
| 1 | DK 1410 14 | Cap Assly. Tank | 1 | |
| 2 | 30 1780 01 | Pan head screw | 1 | N.S |
| 3 | 39 2381 04 | Hex. Soc Hd. cap bolt | 7 | |
| 4 | DJ 1410 56 | Tap Assly | 1 | Alternate |
| 5 | DK 1410 13 | Lock Cap Tank | 1 | |
| 6 | 30 1410 39 | Packing | 1 | |
| 7 | DD 1412 27 | Bolt flanged | 2 | |
| 8 | 39 0740 11 | Plain Washer | 2 | |
| 9 | DK 2010 65 | Gauge Fuel | 1 | |
| 10 | 39 2758 21 | Gasket fuel Gauge | 1 | N.S |
| | DK 1410 28 | Gasket fuel Gauge | 1 | Alt. of 39275821 |
| 11 | 39 2484 15 | Nut Flange M-5 | 4 | |
| 12 | 52 DJ04 49 | Fuel Pipe with Clip E10 | 1 | |
| 13 | BA 1220 03 | Pipe clip | 1 | |
| 14 | DH 1410 24 | Drain tube | 1 | |
| 15 | DG 1410 28 | Clamp | 1 | |
| 16 | DH 141021 | Seat Tape | 1 | |

Fitting Petrol Tank Spoiler, Side Cover, Seat Cowl



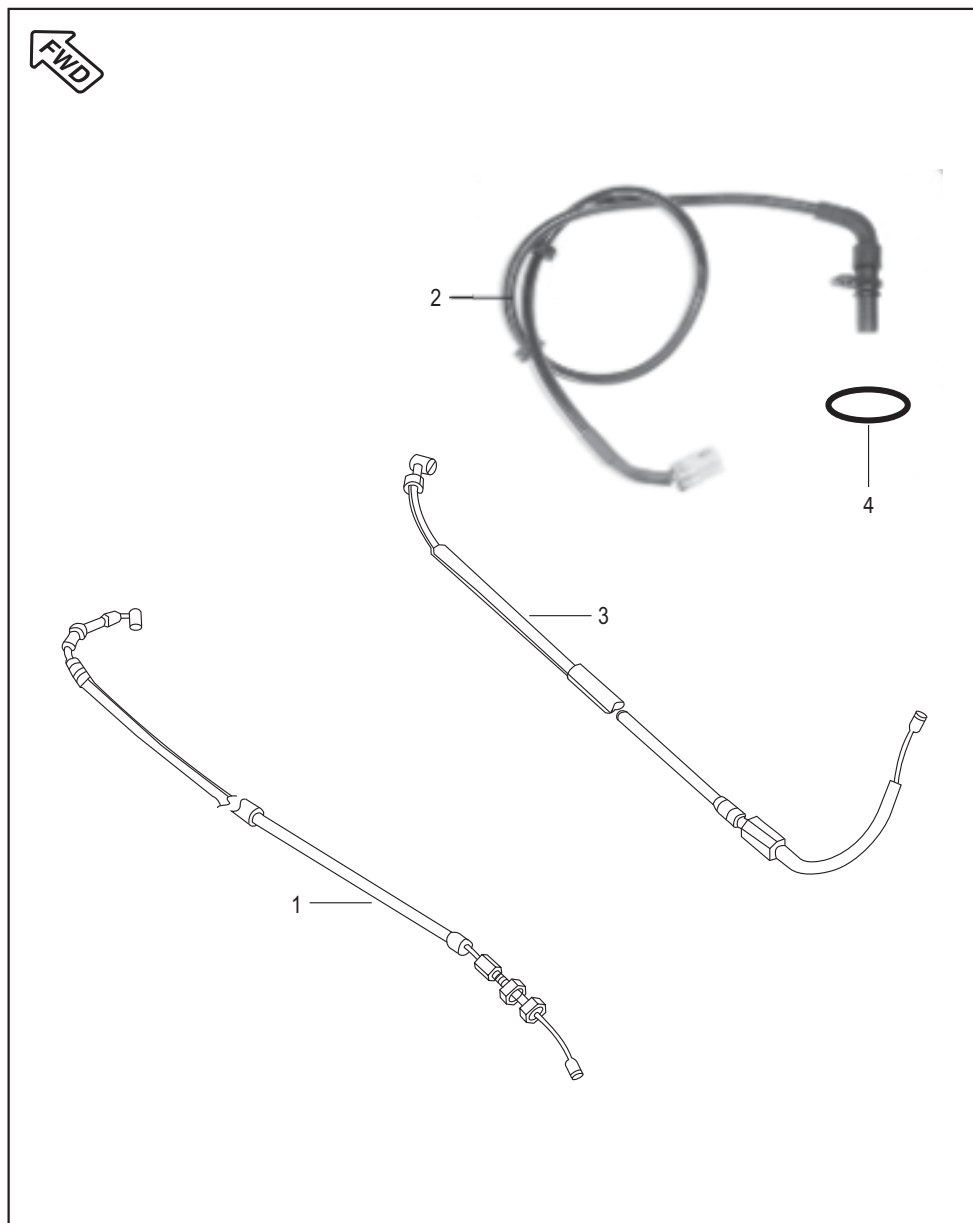
| No. | Part No. | Description | Qty. /Veh. | Remarks |
|-----|------------|----------------------------|------------|----------------------|
| 1 | 36 DH16 01 | Grommet Kit For side cover | 1 | Ref. Page No.103 |
| 2 | DH 1410 31 | Tape tank inner | 2 | N.S |
| 3 | DG 1611 21 | Screw | 2 | |
| 4 | 39 2424 11 | Plain Washer | 1 | |
| 5 | JC 1810 29 | Lock Set (4 in 1) with Key | 1 | N.I. |
| | DH 1811 19 | Lock Set (4 in 1) with Key | 1 | N.I. W.e.f. Jul 2013 |
| 6 | DH 1410 23 | Damper | 1 | |
| 7 | DJ 1410 08 | Damper front | 2 | |
| 8 | 39 1902 04 | Flanged Bolt | 1 | |
| 9 | DK 1611 23 | Cover Side Mesh LH | 1 | |
| 10 | DK 1611 24 | Cover Side Mesh RH | 1 | |
| 11 | 59 0200 01 | Self Tap Screw | 6 | |
| 12 | DG 1611 21 | Screw | 2 | |
| 13 | JW 1710 07 | Dual Tape | 2 | |
| 14 | JD 1710 18 | Special Tape | 2 | |
| 15 | JC 1410 15 | Grommet | 2 | |
| 16 | JC 1410 17 | Grommet II | 2 | |
| 17 | JC 1410 16 | Collar | 2 | |
| 18 | 39 1556 04 | Flange Bolt | 1 | |
| 19 | 39 2424 11 | Plain Washer | 1 | |
| 20 | DK 1410 17 | Damper tank middle | 1 | |
| 21 | DK 1410 15 | Tank Pad | 1 | |
| 22 | DG 1810 65 | Clip Nut M6 | 2 | N.S |

Meter Assly



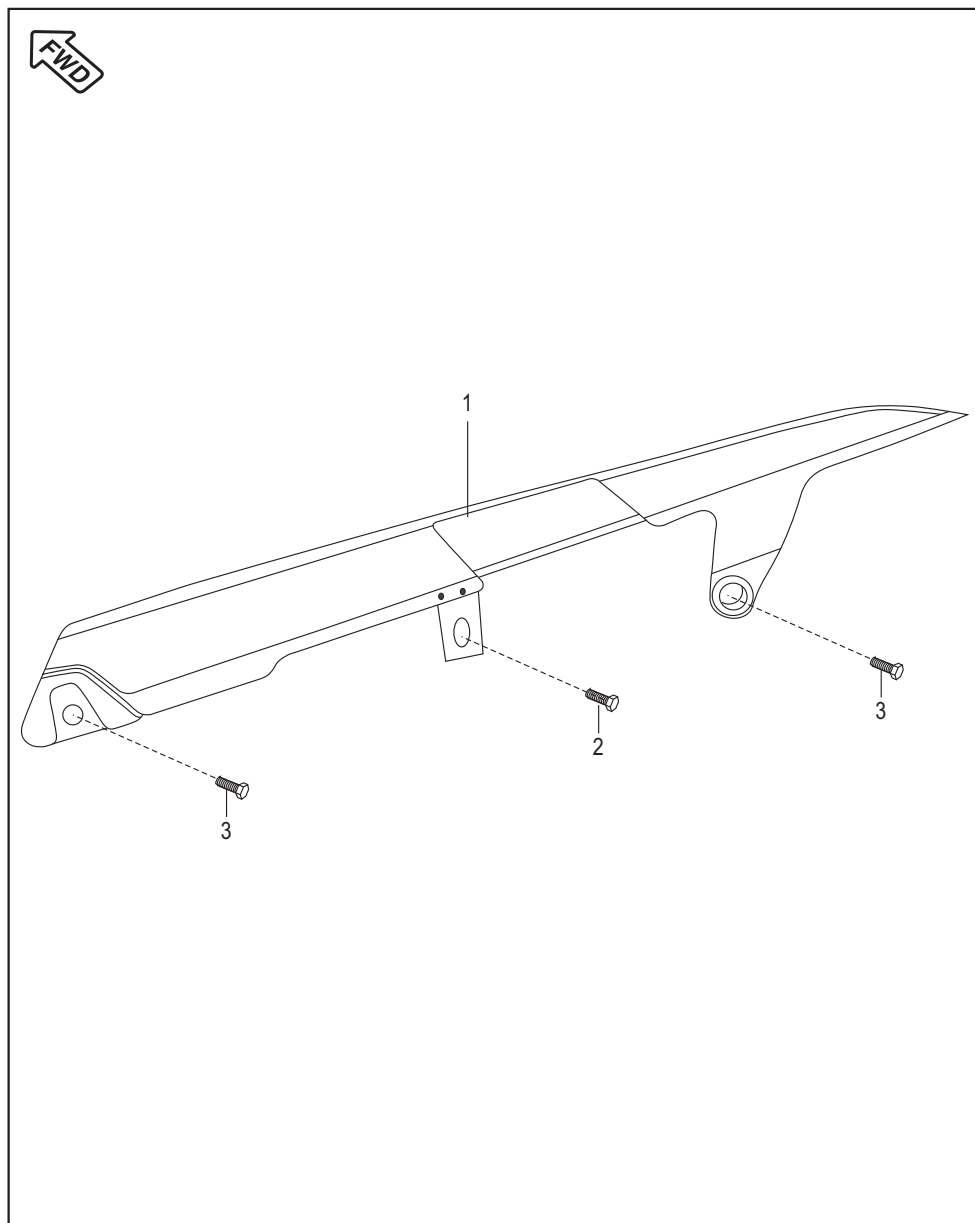
| No. | Part No. | Description | Qty. /Veh. | Remarks |
|-----|------------|----------------------------------|------------|------------------|
| 1 | DJ 1910 71 | Meter Assly / Instrument Cluster | 1 | |
| | DJ 1910 84 | Meter Assly / Instrument Cluster | 1 | Ref. Cir. IB-107 |
| 2 | 39 1778 02 | Self Tapping Screw | 4 | |
| 3 | DJ 1811 19 | Back Cover | 1 | |
| 4 | DJ 2011 74 | Trip Meter Knob | 1 | |
| 5 | DJ 2011 59 | Speedo Meter Top Cover | 1 | |
| 6 | DK 1612 09 | Tape I | 4 | |

Control Cables



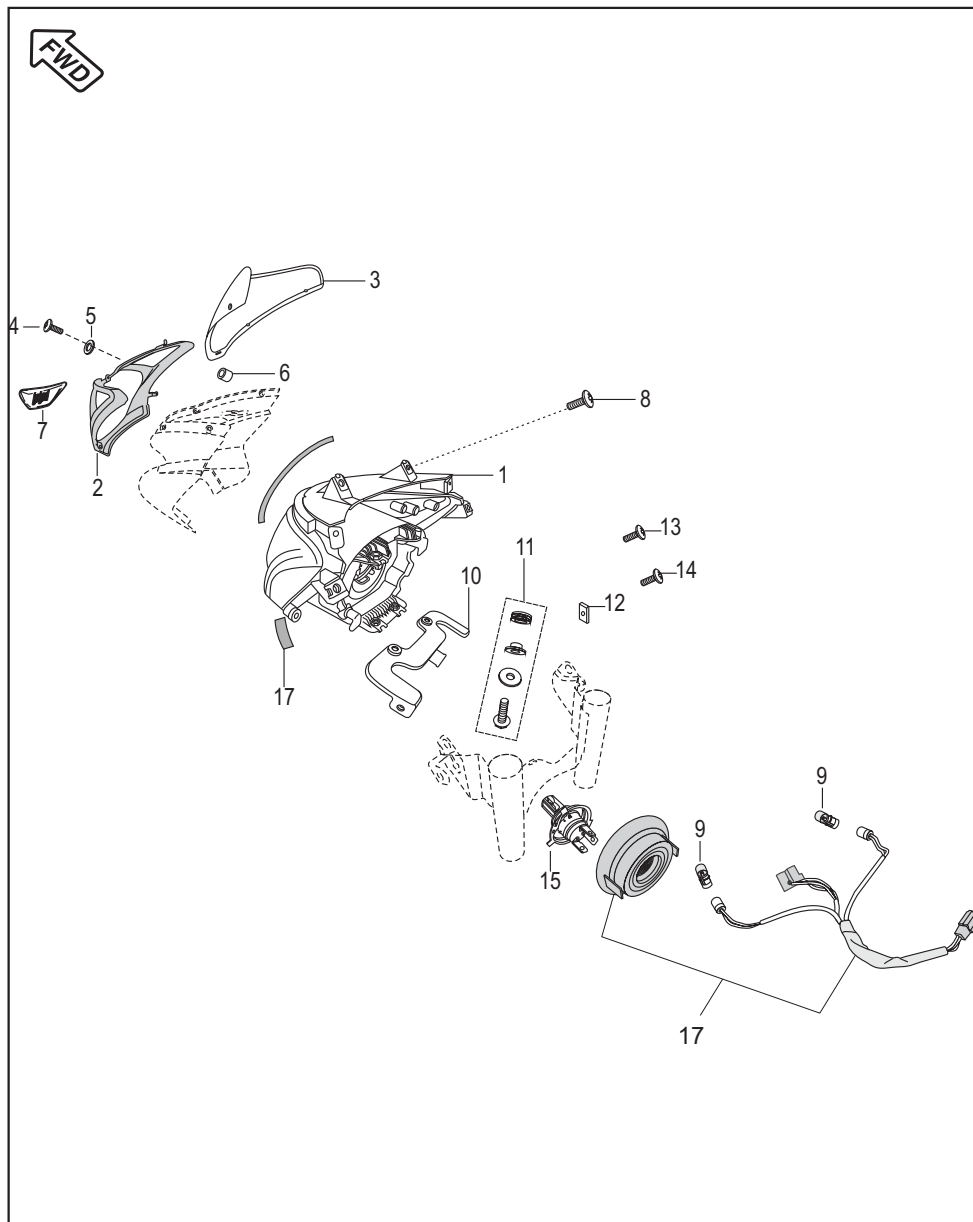
| No. | Part No. | Description | Qty. /Veh. | Remarks |
|-----|------------|-----------------------------------|------------|---------|
| 1 | DJ 1910 61 | Cable Accelerator | 1 | |
| 2 | JC 2010 43 | Vehicle Speedos Sensor (Potted) | 1 | |
| 3 | JC 1910 04 | Cable Clutch | 1 | |
| 4 | 59 2100 19 | 'O' ring | 1 | |
| 5 | 30 1910 48 | Band | 1 | N.I. |

Chain Cover



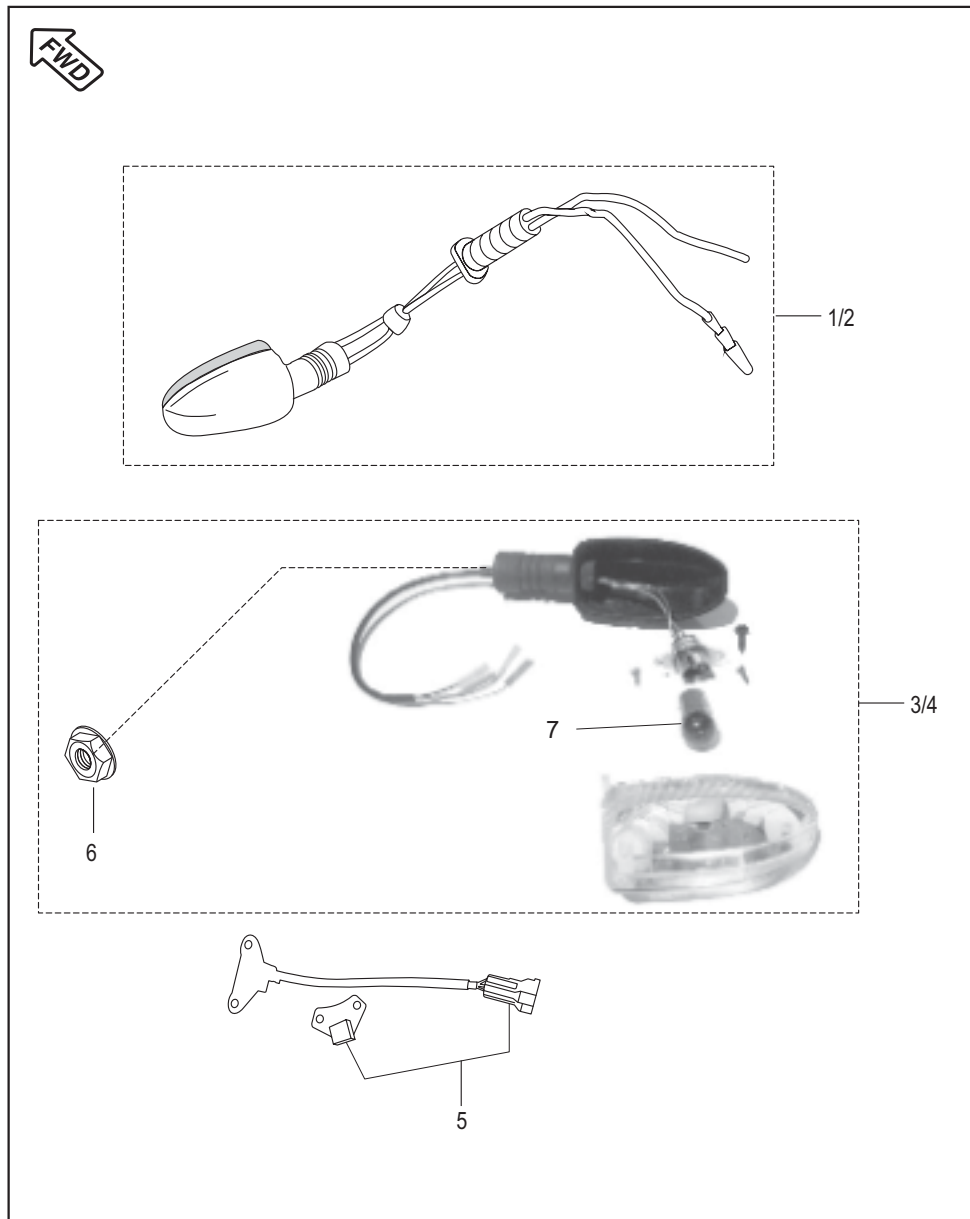
| No. | Part No. | Description | Qty. /Veh. | Remarks |
|-----|------------|-------------------|------------|---------|
| 1 | DK 1612 50 | Cover Chain assly | 1 | |
| 2 | DH 1612 83 | Bolt (Small) | 1 | |
| 3 | 39 1680 04 | Bolt (Big) | 2 | |

Head Lamp & Fairing

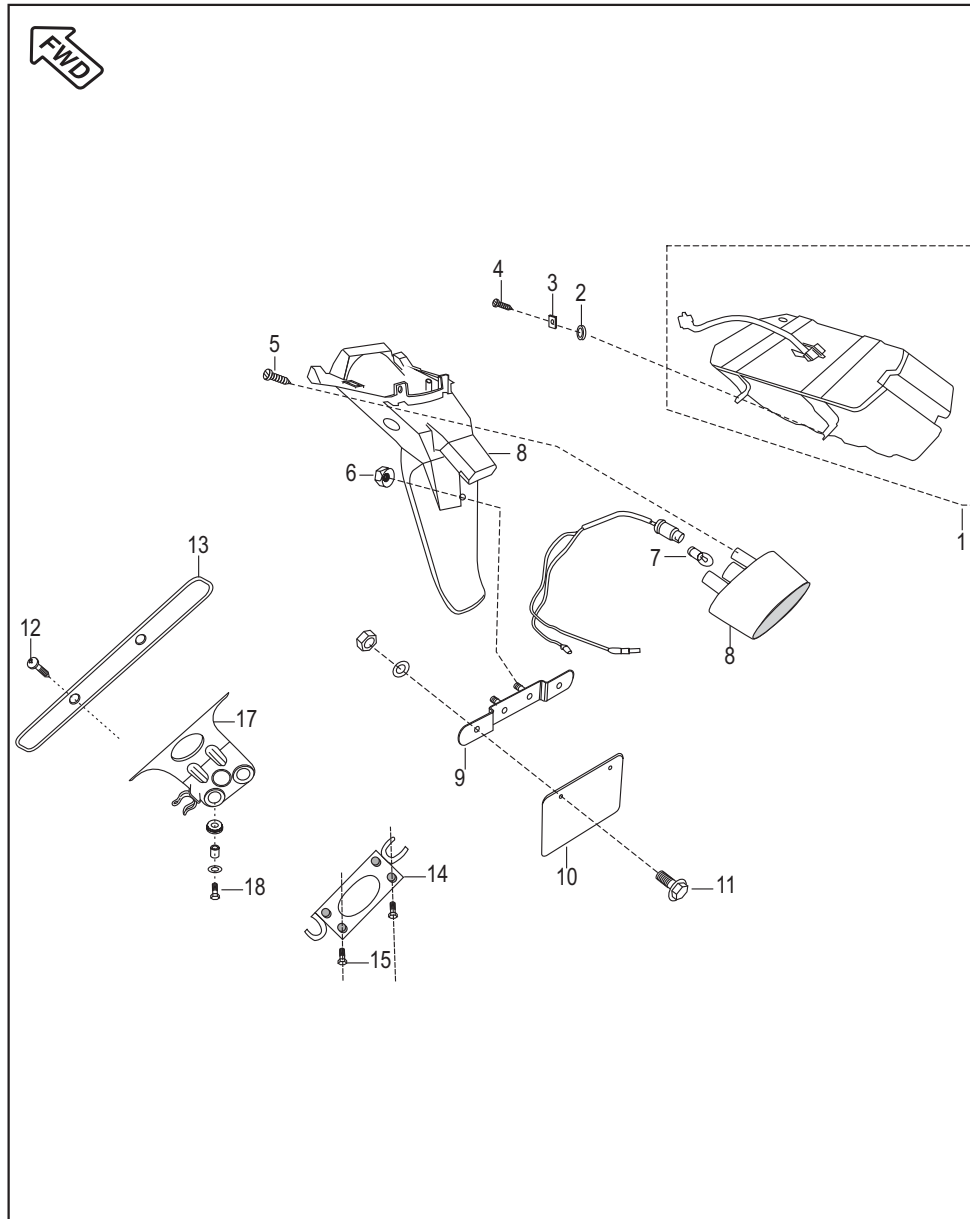


| No. | Part No. | Description | Qty. /Veh. | Remarks |
|-----|------------|--------------------------------|------------|------------------|
| 1 | DJ 2011 76 | Head Lamp Assly. without Bulb | 1 | |
| 2 | DJ 1811 20 | Head Lamp Mask | 1 | |
| 3 | DJ 1810 33 | Wind Shield | 1 | |
| 4 | DF 1810 98 | Bolt | 4 | |
| 5 | 39 2141 24 | Non Metallic Washer | 4 | |
| 6 | DL 1810 10 | Well Nut | 4 | |
| 7 | DJ 1810 37 | Decal Wind Shield | 1 | |
| 8 | 39 1907 01 | M5 x 15L mushroom HD | 2 | |
| 9 | DJ 2010 72 | Pilot Bulb | 2 | |
| 10 | DH 1810 52 | Fairing mounting upper bracket | 1 | |
| 11 | 36 DH40 20 | Kit hardware mtg. bracket | 1 | Ref. Page No.103 |
| 12 | DJ 1612 29 | Clip Nut | 4 | |
| 13 | 39 0716 01 | Screw pan cross | 2 | |
| 14 | 39 1524 01 | Screw pan cross | 2 | |
| 15 | CL 2010 23 | Lamp 12V 35/35W-HS1 | 1 | |
| 16 | DJ 1810 69 | Packing Fairing | 1 | |
| 17 | DH 2010 40 | Head Lamp Wiring Harness | 1 | N.S |

Indicator Light Assly



| No. | Part No. | Description | Qty. /Veh. | Remarks |
|-----|------------|---|------------|-------------------------|
| 1 | DJ 2012 08 | Blinker Front LH flexible | 1 | N.S |
| | DJ 2012 07 | Blinker Front LH flexible | 1 | Alternate |
| 2 | DJ 2012 09 | Blinker Front RH flexible | 1 | N.S |
| | DJ 2012 06 | Blinker Front RH flexible | 1 | Alternate |
| 3 | DJ 2012 06 | Blinker Rear LH flexible | 1 | |
| 4 | DJ 2012 07 | Blinker Rear RH flexible | 1 | |
| 5 | 36 DJ40 30 | Kit Hall Sensor (Blinker Self Cancellation) | 1 | |
| 6 | 39 1225 15 | Hex. Nut With Flange | 4 | |
| 7 | GH 2010 12 | Lamp 12V 10W | 4 | |
| 8 | 39 2208 04 | Bolt For Hall Sensor Mounting | 2 | (N.I.) NA for Argentina |
| 9 | LA D000 40 | Bolt for Light Control Unit | 1 | N.I. |

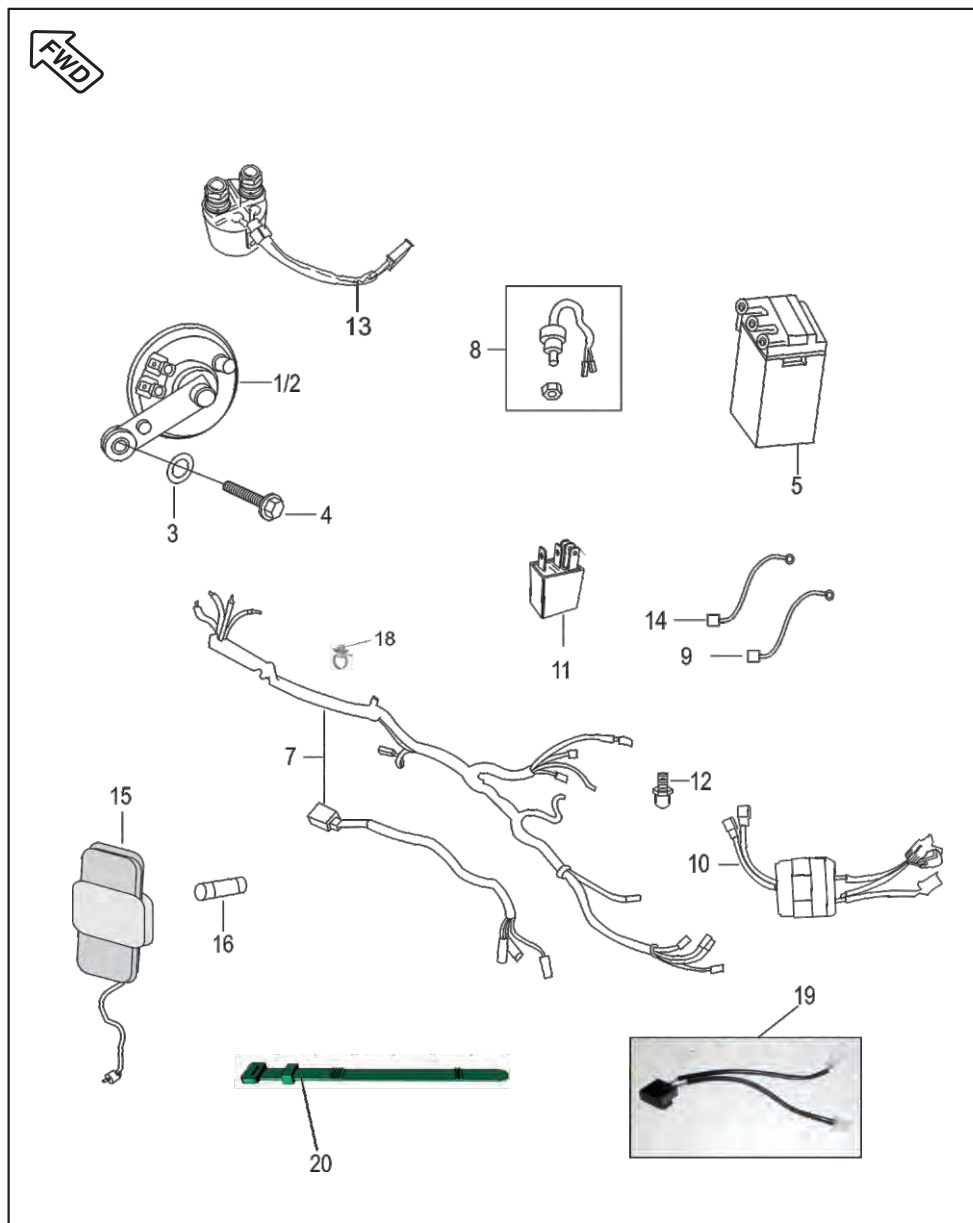


FWD Front Wheel Direction

Tail Lamp Assly / Front & Rear No. Plate

| No. | Part No. | Description | Qty. /Veh. | Remarks |
|-----|------------|----------------------------|------------|---------------------|
| 1 | DK 2010 03 | Tail light Assly | 1 | |
| 2 | DH 1612 93 | Damper | 2 | |
| 3 | DK 1611 53 | Clip Nut | 4 | |
| 4 | 59 0100 13 | Screw pan cross | 4 | |
| 5 | 39 1907 01 | Truss Screw | 2 | |
| 6 | 39 1972 15 | Nut flange | 2 | |
| 7 | 30 2010 29 | Lamp 12V-4W | 1 | |
| 8 | JW 4010 11 | No. Plate illumination | 1 | |
| 9 | DJ 1610 72 | Rear No. plate bkt. | 1 | |
| 10 | DP 1611 45 | Number plate Rear | 1 | |
| 11 | 39 1680 04 | Hex Flanged Bolt | 2 | |
| 12 | 39 1783 01 | Truss Screw | 2 | For Front No. Plate |
| 13 | DP 1611 44 | Number plate front | 1 | |
| 14 | JC 1810 26 | No. plate mounting bracket | 1 | |
| 15 | 39 1062 04 | Bolt flange | 2 | |
| 16 | DH 1612 93 | Damper front no. Plate | 1 | |
| 17 | JC 1810 25 | Front no. plate bracket | 1 | |
| 18 | 39 1943 04 | Bold Flange M6 | 2 | |
| 19 | DJ 1810 83 | Sleeve | 2 | No. Plate Bracket |

Electric Component



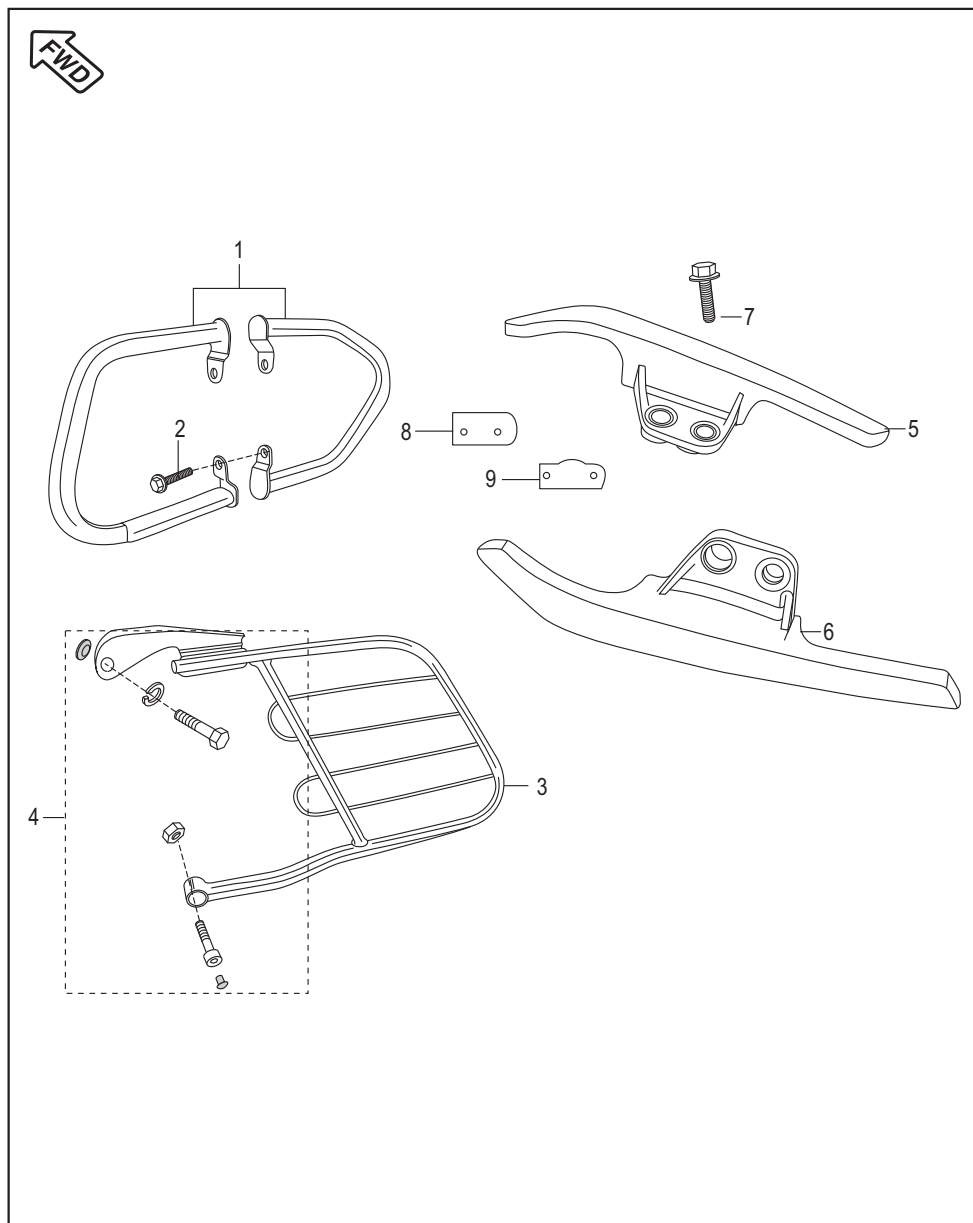
| No. | Part No. | Description | Qty. /Veh. | Remarks |
|-----|------------|-------------------------------------|------------|------------------------|
| 1 | DK 2010 37 | Horn LH Dia 70 | 1 | |
| 2 | DK 2010 38 | Horn RH Dia 70 | 1 | |
| 3 | 39 1507 11 | Plain Washer | 1 | |
| 4 | 39 1956 04 | Flange Bolt | 1 | |
| 5 | DJ 2011 26 | Battery (12V-9A) mf Dry Charged | 1 | |
| 6 | DJ 1612 47 | Band Battery | 1 | N.I. |
| 7 | DJ 2012 51 | Wiring Harness | 1 | For Argentina |
| | DJ 2012 50 | Wiring Harness | 1 | |
| | DJ 2012 54 | Wiring Harness | 1 | From Oct. 2015 |
| 8 | JC 2010 04 | Rear Brake Switch | 1 | |
| 9 | DJ 2010 20 | Cable assly. (Battery to St.Relay) | 1 | |
| 10 | JC 2010 16 | BCU | 1 | |
| | DT 4020 02 | Light control Module | 1 | For Argentina |
| | DT 4020 06 | Light Control Module | 1 | |
| | DS 2010 25 | Flasher | 1 | From Oct 2015 |
| 11 | AL 2010 12 | Kill switch relay | 1 | |
| | DJ 2010 28 | Relay (Interlocking) | 1 | Ref. Cir. C-19 |
| 12 | 39 1680 04 | Flange bolt | 1 | |
| 13 | DK 2010 78 | Starter Relay / Damper | 1 | |
| 14 | DJ 2011 40 | Cable assly. (Battery to Earth) | 1 | |
| 15 | 30 2011 04 | Fuse box Assly. | 1 | |
| 16 | 30 2010 85 | Fuse | 1 | |
| 17 | JC 2010 27 | Cable Assly. St. Motor to St. Relay | 1 | N.I. |
| 18 | 60 1114 15 | Cable Tie Lock | 4 | from MD2A11CZ3CCC40192 |
| 19 | DJ 2012 52 | Pig Tail Harness Brake Switch | 1 | Ref. Cir. IB-108 |
| 20 | JD 4022 17 | Tie Band | 2 | Ref. Cir. IB-108 |



Tool Kit

| No. | Part No. | Description | Qty. /Veh. | Remarks |
|-----|------------|---------------|------------|------------------|
| 1 | DK 2210 11 | Tool Kit | 1 | n.s |
| | DJ 2210 19 | Tool Kit | 1 | alt for DK221011 |
| 2 | DK 2210 24 | Band Tool Kit | 2 | |

Accessories / Grab Handle



| No. | Part No. | Description | Qty. /Veh. | Remarks |
|-----|------------|-------------------------|------------|---------|
| 1 | 36 DK00 33 | Kit Leg Guard | 1 | |
| 2 | 39 2310 04 | Flange bolt | 4 | |
| 3 | DK 1611 76 | Sari Guard Assly. | 1 | |
| 4 | 36 DK00 23 | Kit hardware sari guard | 1 | |
| 5 | DK 1611 47 | Grab handle LH | 1 | |
| 6 | DK 1611 48 | Grab handle RH | 1 | |
| 7 | 39 2310 04 | Bolt Flange | 4 | |
| 8 | DJ 1610 79 | Foam LH For grab | 1 | |
| 9 | DJ 1610 80 | Foam RH For grab | 1 | |

Exclusive Parts -IRAN

| Page No | Fig. No | Part Number | Description |
|---------|---------|-------------|---------------------------------------|
| 76 | 1 | DJ72022V | Tank Fuel Pulse Iran CW Red |
| 76 | 1 | DJ72024M | Tank Fuel Pulse Iran MN Black |
| 76 | 1 | DJ72024K | Tank Fuel Pulse Iran Blue |
| 76 | 1 | 52DJ0573 | Tank Fuel Pulse E Black + CW Red Dcl |
| 76 | 1 | 52DJ0574 | Tank Fuel Pulse E Black + S Blue Dcl |
| 76 | 1 | 52DJ0575 | Tank Fuel Pulse E Black + M White Dcl |
| 78B | 12A | JC141059 | Decal Gray Chrome (Pulse) |
| 78B | 12A | JC141061 | Decal Black Chrome (Pulse) |

| | | | | | | |
|--|--|--|--|--|--|--|
| | | | | | | |
|--|--|--|--|--|--|--|

KIT LIST

| Sr. No. | Kit Part No. | Kit Description | Consisting of Following Parts | | |
|---------|--------------|----------------------------|-------------------------------|-------------------------------|----------|
| | | | Part No. | Description | Qty./Kit |
| 1 | 36DS1001 | Cyl.Head O Ring Kit | 39239121 | O Ring (Cover tappet) | 2 |
| | | | 39128321 | O ring | 2 |
| 2 | 36DJ1004 | Valve Kit | DJ101124 | Valve Intake | 1 |
| | | | DJ101125 | Valve Exhaust | 1 |
| 3 | DK101326 | Valve Repair Kit | DK101247 | Retainer valve spring | 2 |
| | | | DK101108 | Spring valve inner | 2 |
| | | | DK101110 | Spring valve outer | 2 |
| | | | DK101246 | Seat valve spring | 2 |
| 4 | 36DK0039 | Guide Chain Kit | DH101017 | Guide chain (Tight) | 1 |
| | | | DK101059 | Guide Chain (slack) | 1 |
| 5 | 36DK0038 | Set primary drive & driven | DH101628 | Gear primary drive | 1 |
| | | | DK101561 | Clutch Housing | 1 |
| 6 | 36DH4019 | Kit centrifugal oil filter | 39220011 | Washer | 1 |
| | | | DH101234 | Gasket centrifugal oil filter | 1 |
| | | | DH101640 | Oval screw | 1 |
| | | | Dh101066 | Join oil delivery | 1 |
| | | | DH101067 | Spring oil delivery | 1 |
| | | | 39219908 | Pin oil delivery joint | 1 |
| 7 | 36DH1004 | Set Damper | DH101284 | Damper A | 1 |
| | | | DH101285 | Damper B | 1 |
| | | | DH101286 | Damper C | 1 |
| | | | DH101287 | Damper D | 1 |
| 8 | 36DH1005 | Set of Plate | DH101288 | Plate A | 1 |
| | | | DH101289 | Plate B | 1 |
| | | | DH101290 | Plate C | 1 |
| | | | DH101291 | Plate D | 1 |
| 9 | 36DH1006 | Set Damper | DH101282 | Damper Cover Magneto | 1 |
| | | | DH101292 | Damper A Cover LH RR | 1 |
| | | | DH101294 | Damper B Cover LH RR | 1 |
| 10 | 36DH1007 | Set of Plate | DH101283 | Plate Damper | 1 |
| | | | DH101293 | Plate Damper Cover LH RR | 1 |
| 11 | 36DH4010 | Kit hardware air cleaner | DH121020 | Bracket lock | 1 |
| | | | 01110609 | Plain washer | 1 |
| | | | 39178001 | Screw pan cross | 1 |
| | | | 39177304 | Bolt flange | 4 |
| | | | 31121043 | Coller | 3 |
| | | | 39071111 | Plain washer | 3 |

KIT LIST

| Sr. No. | Kit Part No. | Kit Description | Consisting of Following Parts | | |
|---------|--------------|------------------------------|-------------------------------|---------------------------|----------|
| | | | Part No. | Description | Qty./Kit |
| 12 | 36DK0015 | Kit element air filter | DK121002 | Element air filter fine | 1 |
| | | | DK121003 | Element air filter coarse | 1 |
| 13 | 36DH4011 | Kit hardware shield | DH101301 | Seal shield mufflar | 2 |
| | | | DH101395 | Trust screw | 2 |
| | | | DH101481 | Grommet shield | 1 |
| 14 | 36DK0009 | Kit hardware silencer | 39185004 | Flange bolt | 1 |
| | | | 39242511 | Plain washer | 1 |
| | | | DD161071 | U nut | 1 |
| | | | DH161155 | Damper silencer | 1 |
| | | | DH161157 | Tube silencer mounting | 1 |
| 15 | 36DK0011 | Kit hardware engine mounting | 39231204 | Bolt flange | 4 |
| | | | 39197015 | Nut flange | 8 |
| | | | 39241304 | Bolt flange | 1 |
| | | | DH161245 | U Nut | 3 |
| 16 | 36DV0007 | Bearing cone kit | DG181045 | Bearing cone | 1 |
| | | | DG181047 | Bearing race | 1 |
| | | | DG181046 | Upper bearing race | 1 |
| 17 | 36DK0012 | Kit bush rear shock absorber | 39071411 | Plain washer | 8 |
| | | | 39071215 | Dome cap nut | 2 |
| | | | 39073712 | Spring washer | 2 |
| 18 | 36DK0013 | Kit hardware pillion | DJ161186 | Plait side pillion stape | 2 |
| | | | DH161061 | Pin pillion set | 2 |
| | | | 30141031 | "O" ring | 2 |
| | | | 39104011 | Plain washer | 2 |
| | | | 39078408 | Split pin | 2 |
| 19 | 36JC0007 | Kit lever brake | 01170122 | "O" ring | 1 |
| | | | JC151006 | Indicator | 1 |
| | | | JC151007 | Lever brake | 1 |
| | | | 39244704 | Hex. head bold | 1 |
| | | | 39079815 | Nut | 1 |
| 20 | 36DK0036 | Chain sprocket kit | DJ151110 | Sprocket (36 teeth) | 1 |
| | | | DK151010 | Chain | 1 |
| | | | DV101048 | Sprocket Drive | 1 |
| 21 | 36DK0034 | Kit hardware brake pedal | DK101186 | Bolt pivot lever change | 1 |
| | | | DK101185 | Washer pivot bolt | 1 |
| | | | DK101187 | Collar pivot bolt | 1 |
| | | | 39199819 | Oil Seal | 1 |
| | | | 39238315 | Flange nut | 1 |
| | | | DK191014 | Spring ear brake switch | 1 |
| | | | Dk191013 | Springr brake peddle | 1 |

SPC Updation Details

| Page no. | Fig. no. | Old part no. | New part no. | Description | Updation date | Remarks |
|----------|----------|--------------|--------------|-----------------------|---------------|--------------------------------------|
| 68 | 3 | DJ151088 | JG131219 | COUPLING RUBBER | 30.01.12 | MODIFIED FOR IMPROVEMENT |
| 68 | 6 | ----- | JN131812 | SHOE BRAKE ASSLY | 30.01.12 | NON ASBESTOS IMPLEMENTATION |
| 72 | 21 | ----- | DJ201246 | CLUTCH SWITCH | 30.01.12 | TRANSIL DIODE TYPE |
| 72 | 9 | ----- | DJ191083 | CLUTCH LEVER | 30.01.12 | FOR TRANSIL DIODE TYPE CLUTCH SWITCH |
| 2 | 1 | ----- | 36DJ4028 | CYL. HEAD WITH COVER | 31.01.12 | W/O NRB FROM ENG. NO. BUG20501 |
| 6 | 1 | ----- | DK101748 | ROCKER SHAFT INTAKE | 31.01.12 | W/O NRB FROM ENG. NO. BUG20501 |
| 6 | 2 | ----- | DK101751 | ROCKER SHAFT EXHAUST | 31.01.12 | W/O NRB FROM ENG. NO. BUG20501 |
| 6 | 3 | ----- | DK101755 | ROCKER ARM | 31.01.12 | W/O NRB FROM ENG. NO. BUG20501 |
| 6 | 8 | ----- | DH101295 | WAVE WASHER | 31.01.12 | W/O NRB FROM ENG. NO. BUG20501 |
| 6 | 9 | ----- | 39244011 | PLAIN WASHER | 31.01.12 | W/O NRB FROM ENG. NO. BUG20501 |
| 72 | 23 | DK181046 | DK181082 | H/BAR TUBE ASSLY LH | 02.02.12 | |
| 72 | 24 | DK181047 | DK181086 | H/BAR TUBE ASSLY RH | 02.02.12 | |
| 82 | 12 | ----- | DG161121 | SCREW | 02.09.13 | DESIGN CHANGE |
| 82 | 22 | ----- | DG181065 | CLIP NUT M6 | 02.09.13 | DESIGN CHANGE |
| 24 | 25 | ----- | DH101784 | GASKET | 02.09.13 | UPDATION |
| 20 | 6 | 39245304 | 39190204 | FLANGEDBOLT | 21.03.14 | ALT. UPDATION |
| 50 | 11 | DG171021 | JM171003 | ADJUSTERCHAINLH | 21.03.14 | ALT. UPDATION |
| 68 | 7 | JC151005 | JC151004 | CAMBRAKE | 21.03.14 | ALT. UPDATION |
| 76 | 2 | 52DH0532 | 52DK5506 | SIDECOVERLH | 21.03.14 | ALT. UPDATION |
| 76 | 3 | 52DH0533 | 52DK5507 | SIDECOVERRH | 21.03.14 | ALT. UPDATION |
| 76 | 4 | DH73034L | 52DK0027 | SEATCOWLASSLY. | 21.03.14 | ALT. UPDATION |
| 76 | 5 | DK74022T | 52DK0013 | FRONTFENDER | 21.03.14 | ALT. UPDATION |
| 78 | 7 | DH74014L | DJ181090 | FAIRING | 21.03.14 | ALT. UPDATION |
| 80 | 10 | 39275821 | DK141028 | GASKETFUELGAUGE | 21.03.14 | ALT. UPDATION |
| 98 | 1 | DK221011 | DJ221019 | TOOLKIT | 21.03.14 | ALT. UPDATION |
| 16 | 14 | DK101106 | DK101718 | GEAR4THDRIVEN | 21.03.14 | ALT. UPDATION |
| 16 | 16 | DK101118 | DK101717 | GEAR1STDIVEN | 21.03.14 | ALT. UPDATION |
| 16 | 17 | CK101107 | DK101721 | GEAR5THDRIVEN | 21.03.14 | ALT. UPDATION |
| 16 | 19 | DH101333 | DK101719 | GEAR2NDDIVEN | 21.03.14 | ALT. UPDATION |
| 18 | 5 | DK101382 | DK101732 | DRUMCOMP.GEARSHIFT | 21.03.14 | ALT. UPDATION |
| 96 | 19 | ----- | DJ201252 | PIG TAIL BRAKE SWITCH | 02.07.14 | REF. CIR. IB 108 |
| 96 | 20 | ----- | JD402217 | TIE BAND | 02.07.14 | REF. CIR. IB-108 |
| 32 | 1 | DJ121041 | DJ121079 | CARBURETOR | 04.07.14 | UPDATION |
| 34 | 3 | DJ121068 | DH121191 | CONNECTING TUBE | 04.07.14 | UPDATION |
| 20 | 8 | DH101503 | DK101725 | STOPPER - DRUM | 13.10.14 | REF. MAIL DATED 13.10.2014 |
| 46 | 18 | ----- | 59040041 | BOLT FLANGE | 21.10.14 | ADDED NEW PART |
| 18 | 4 | DH101432 | 36DH4057 | KIT GEAR BAL | 29.11.14 | ALTERNATE UPDATION |
| 62 | 13 | DK151008 | DK151095 | FRONT AXEL | 05.10.15 | REF. CIR. IB-141 |
| 74 | 1 | DK181072 | DK181087 | FRONT FORK | 05.10.15 | REF. CIR. IB-141 |
| 74 | 4 | DK181056 | DK181090 | SPACER TUBE | 05.10.15 | REF. CIR. IB-141 |
| 74 | 5 | DK181057 | DK181091 | OUTER TUBE RH | 05.10.15 | REF. CIR. IB-141 |
| 74 | 6 | DK181071 | DK181093 | OUTER TUBE LH | 05.10.15 | REF. CIR. IB-141 |
| 36 | 2 | DH101468 | DH102139 | SHIELD MUFFLER | 12.02.15 | REF. CIR. IB-157 |
| 66 | 11 | ----- | JL131825 | SPRING PAD | 18.02.15 | REF. MAIL DATED 17.02.2015 |

SPC Updation Details

| Page no. | Fig. no. | Old part no. | New part no. | Description | Updation date | Remarks |
|----------|----------|--------------|--------------|-------------------------|---------------|----------------------------------|
| 32 | 15 | --- | DD111046 | TPS ASSLY | 30.03.15 | UPDATION REF TO MAIL ON 23.03.15 |
| 56 | 10 | DJ161272 | DK161164 | INDICATOR MTG BKT RR | 16.07.15 | CORRECTION |
| 70 | 13 | JC201004 | DJ201253 | REAR BRAKE SWITCH | 06.10.15 | FROM OCT 2015 |
| 96 | 7 | DJ201250 | DJ201254 | WIRING HARNESS | 06.10.15 | FROM OCT. 2015 |
| 96 | 10 | DT402006 | DS201025 | FLASHER | 06.10.15 | FROM OCT. 2015 |
| 8 | 6 | PD511229 | DS101276 | SPROCKET CAMSHAFT | 29.04.16 | REF. CIR. IB-224 |
| 12 | 7 | PD531029 | DK101248 | CRANKSHAFT SPROCKET | 29.04.16 | REF. CIR. IB-224 |
| 88B | 12 | DJ161373 | DJ161403 | TANK 3D DECAL LH SHADED | 17.06.2016 | REF. CIR. IB-234 |
| 88B | 12 | DJ161374 | DJ161404 | TANK 3D DECAL RH SHADED | 17.06.2016 | REF. CIR. IB-234 |
| 18 | 8 | DK101361 | DH102189 | GUIDE GEAR SHIFT | 22.08.16 | REF. CIR. IB-251 |

| Part No. | Figure No. | Page No. |
|----------|------------|----------|
| 22150451 | 6 | 52 |
| 28101174 | 14 | 24 |
| 30141039 | 6 | 86 |
| 30151069 | 5 | 68 |
| 30151095 | 9 | 70 |
| 30151105 | 6 | 68 |
| 30161157 | 2 | 58 |
| 30178001 | 2 | 86 |
| 30191048 | 5 | 92 |
| 30201029 | 7 | 100 |
| 30201085 | 16 | 102 |
| 30201104 | 15 | 102 |
| 31101173 | 4 | 12 |
| 31121006 | 9 | 10 |
| 31181101 | 15 | 74 |
| 36314002 | 6 | 48 |
| 39021111 | 11 | 56 |
| 39029215 | 8 | 54 |
| 39042215 | 10 | 58 |
| 39071111 | 7 | 56 |
| 39071601 | 13 | 96 |
| 39072211 | 26 | 68 |
| 39074011 | 8 | 86 |
| 39075201 | 6 | 24 |
| 39078708 | 3 | 58 |
| 39079415 | 24 | 68 |
| 39084001 | 5 | 62 |
| 39090012 | 6 | 62 |
| 39097204 | 9 | 40 |
| 39099906 | 11 | 26 |
| 39099906 | 4 | 28 |
| 39104011 | 14 | 46 |
| 39104119 | 4 | 26 |
| 39106204 | 15 | 100 |
| 39106901 | 7 | 54 |

| Part No. | Figure No. | Page No. |
|----------|------------|----------|
| 39107504 | 9 | 2 |
| 39118011 | 28 | 72A |
| 39118415 | 11 | 72 |
| 39122411 | 15 | 50 |
| 39122411 | 12 | 68 |
| 39122515 | 6 | 98 |
| 39128215 | 5 | 52 |
| 39128321 | 6 | 28 |
| 39150711 | 3 | 102 |
| 39152401 | 14 | 96 |
| 39155304 | 12A | 72 |
| 39155604 | 18 | 88 |
| 39162011 | 9 | 14 |
| 39166005 | 2 | 4 |
| 39167204 | 3 | 14 |
| 39167204 | 6 | 56 |
| 39167304 | 13 | 8 |
| 39167404 | 9 | 4 |
| 39167404 | 11 | 14 |
| 39167404 | 2 | 38 |
| 39167704 | 19 | 24 |
| 39168004 | 7 | 48 |
| 39168004 | 8 | 56 |
| 39168004 | 20 | 72 |
| 39168004 | 3 | 94 |
| 39168004 | 11 | 100 |
| 39168004 | 12 | 102 |
| 39168606 | 8 | 14 |
| 39168606 | 4 | 38 |
| 39168904 | 11 | 10 |
| 39177802 | 2 | 90 |
| 39178001 | 11 | 32 |
| 39178301 | 12 | 100 |
| 39184504 | 11 | 22 |
| 39188020 | 4 | 8 |

| Part No. | Figure No. | Page No. |
|----------|------------|----------|
| 39188020 | 10 | 30 |
| 39190204 | 6 | 20 |
| 39190204 | 6 | 44 |
| 39190204 | 8 | 88 |
| 39190701 | 8 | 96 |
| 39190701 | 5 | 100 |
| 39193120 | 6 | 12 |
| 39194304 | 18 | 100 |
| 39194404 | 18 | 42 |
| 39195604 | 4 | 102 |
| 39196704 | 10 | 46 |
| 39197015 | 5 | 36 |
| 39197215 | 6 | 100 |
| 39199020 | 22 | 26 |
| 39199715 | 13 | 50 |
| 39199715 | 14 | 68 |
| 39199819 | 11 | 20 |
| 39201719 | 5 | 6 |
| 39206004 | 12 | 58 |
| 39213217 | 5 | 10 |
| 39214124 | 5 | 96 |
| 39215220 | 5 | 14 |
| 39215704 | 7 | 46 |
| 39215811 | 2 | 16 |
| 39215911 | 13 | 16 |
| 39216011 | 9 | 16 |
| 39216511 | 3 | 12 |
| 39216611 | 11 | 16 |
| 39218006 | 8 | 22 |
| 39218006 | 24 | 24 |
| 39218106 | 2 | 10 |
| 39218106 | 18 | 24 |
| 39218304 | 2 | 12 |
| 39218520 | 9 | 24 |
| 39218819 | 4 | 24 |

| Part No. | Figure No. | Page No. |
|----------|------------|----------|
| 39219019 | 11 | 24 |
| 39219421 | 6 | 38 |
| 39220011 | 16 | 30 |
| 39220307 | 8 | 12 |
| 39220804 | 8 | 98 |
| 39224120 | 2 | 62 |
| 39230504 | 20 | 24 |
| 39231004 | 12 | 46 |
| 39231004 | 2 | 106 |
| 39231004 | 7 | 106 |
| 39238104 | 3 | 86 |
| 39238315 | 17 | 20 |
| 39238315 | 5 | 70 |
| 39241204 | 8 | 46 |
| 39241204 | 13 | 46 |
| 39242411 | 4 | 88 |
| 39242411 | 19 | 88 |
| 39242704 | 17 | 72 |
| 39244011 | 9 | 6 |
| 39244311 | 18 | 26 |
| 39244811 | 12 | 10 |
| 39244811 | 22 | 24 |
| 39245304 | 6 | 20 |
| 39248415 | 11 | 86 |
| 39253204 | 8 | 2 |
| 39253921 | 6 | 4 |
| 39254220 | 3 | 8 |
| 39255717 | 7 | 14 |
| 39256611 | 15 | 68 |
| 39258204 | 9 | 54 |
| 39258320 | 6 | 22 |
| 39260120 | 9 | 22 |
| 39260320 | 7 | 24 |
| 39260607 | 7 | 18 |
| 39260801 | 11 | 4 |

| Part No. | Figure No. | Page No. |
|----------|------------|----------|
| 39261720 | 4 | 8 |
| 39263904 | 6 | 18 |
| 39264715 | 6 | 2 |
| 39266921 | 1 | 8 |
| 39268620 | 1 | 68 |
| 39268720 | 4 | 68 |
| 39275821 | 10 | 86 |
| 59010013 | 4 | 100 |
| 59020001 | 11 | 88 |
| 59040005 | 18 | 74 |
| 59040031 | 9 | 8 |
| 59040040 | 3 | 56 |
| 59040041 | 17 | 46 |
| 59040043 | 11 | 46 |
| 59050008 | 3 | 22 |
| 59050008 | 2 | 24 |
| 59100002 | 1 | 42 |
| 59110002 | 9 | 6 |
| 59200006 | 8 | 24 |
| 59200007 | 16 | 40 |
| 59200027 | 7 | 22 |
| 59200028 | 9 | 24 |
| 59210006 | 5 | 24 |
| 59210019 | 4 | 92 |
| 60111415 | 18 | 102 |
| 36DH1004 | 19 | 26 |
| 36DH1005 | 23 | 26 |
| 36DH1006 | 8 | 28 |
| 36DH1007 | 11 | 28 |
| 36DH1601 | 1 | 88 |
| 36DH1902 | 15 | 64 |
| 36DH1902 | 15 | 66 |
| 36DH4010 | 2 | 34 |
| 36DH4011 | 3 | 36 |
| 36DH4015 | 14 | 70 |

| Part No. | Figure No. | Page No. |
|----------|------------|----------|
| 36DH4019 | 13 | 12 |
| 36DH4020 | 11 | 96 |
| 36DH4030 | 5 | 8 |
| 36DH4034 | 2 | 80 |
| 36DH4035 | 1 | 80 |
| 36DH4037 | 2 | 80 |
| 36DH4038 | 1 | 80 |
| 36DJ1004 | 7 | 6 |
| 36DJ4017 | 1A | 26 |
| 36DJ4023 | 4 | 80 |
| 36DJ4024 | 4 | 80 |
| 36DJ4026 | 1A | 26 |
| 36DJ4029 | 1 | 36 |
| 36DJ4030 | 2 | 72 |
| 36DJ4030 | 5 | 98 |
| 36DJ4034 | 1 | 2 |
| 36DJ4037 | 15 | 84 |
| 36DJ4038 | 15 | 84 |
| 36DJ4039 | 15 | 84 |
| 36DJ4040 | 17 | 84 |
| 36DJ4041 | 17 | 84 |
| 36DJ4042 | 17 | 84 |
| 36DJ4043 | 19 | 84 |
| 36DJ4044 | 19 | 84 |
| 36DJ4045 | 19 | 84 |
| 36DJ4046 | 14 | 84 |
| 36DJ4047 | 14 | 84 |
| 36DJ4048 | 14 | 84 |
| 36DJ4049 | 16 | 84 |
| 36DJ4050 | 16 | 84 |
| 36DJ4051 | 16 | 84 |
| 36DK0009 | 6 | 36 |
| 36DK0011 | 4 | 46 |
| 36DK0012 | 3 | 50 |
| 36DK0013 | 2 | 52 |

| Part No. | Figure No. | Page No. |
|----------|------------|----------|
| 36DK0013 | 6 | 54 |
| 36DK0015 | 5 | 34 |
| 36DK0023 | 4 | 106 |
| 36DK0033 | 1 | 106 |
| 36DK0034 | 12 | 70 |
| 36DK0036 | 17 | 68 |
| 36DK0038 | 9 | 12 |
| 36DK0076 | 1 | 40 |
| 36DK0077 | 14 | 40 |
| 36DK0084 | 3 | 80 |
| 36DK0088 | 3 | 80 |
| 36DK0105 | 18 | 84 |
| 36DK0106 | 18 | 84 |
| 36DS1001 | 3 | 2 |
| 36DS1001 | 1 | 4 |
| 36DU1901 | 12 | 72 |
| 36DV0007 | 5 | 48 |
| 36JC0006 | 8 | 70 |
| 36JC0007 | 9 | 68 |
| 36JC0008 | 12 | 78 |
| 36JC0009 | 12 | 78 |
| 52DH0153 | 12 | 40 |
| 52DH0169 | 1 | 38 |
| 52DH0177 | 10 | 14 |
| 52DH0528 | 2 | 76 |
| 52DH0529 | 3 | 76 |
| 52DH0530 | 2 | 76 |
| 52DH0531 | 3 | 76 |
| 52DH0532 | 2 | 76 |
| 52DH0533 | 3 | 76 |
| 52DH0534 | 2 | 76 |
| 52DH0535 | 3 | 76 |
| 52DH0624 | 1A | 28 |
| 52DH0673 | 2 | 82 |
| 52DH0674 | 3 | 82 |

| Part No. | Figure No. | Page No. |
|----------|------------|----------|
| 52DH0675 | 2 | 82 |
| 52DH0676 | 3 | 82 |
| 52DH0682 | 7 | 78 |
| 52DH0683 | 7 | 78 |
| 52DH0686 | 1A | 28 |
| 52DJ0357 | 8 | 78 |
| 52DJ0358 | 9 | 78 |
| 52DJ0359 | 8 | 78 |
| 52DJ0360 | 9 | 78 |
| 52DJ0361 | 8 | 78 |
| 52DJ0362 | 9 | 78 |
| 52DJ0363 | 8 | 78 |
| 52DJ0364 | 9 | 78 |
| 52DJ0390 | 1 | 26 |
| 52DJ0408 | 8 | 78 |
| 52DJ0409 | 9 | 78 |
| 52DJ0449 | 12 | 86 |
| 52DJ0450 | 4 | 82 |
| 52DJ0451 | 4 | 76 |
| 52DJ0485 | 8 | 82 |
| 52DJ0486 | 9 | 82 |
| 52DJ0489 | 8 | 82 |
| 52DJ0490 | 9 | 82 |
| 52DJ0517 | 7 | 82 |
| 52DJ0518 | 7 | 82 |
| 52DJ0519 | 7 | 82 |
| 52DJ0520 | 5 | 82 |
| 52DJ0521 | 5 | 82 |
| 52DJ0522 | 5 | 82 |
| 52DJ0523 | 8 | 82 |
| 52DJ0524 | 9 | 82 |
| 52DJ0525 | 8 | 82 |
| 52DJ0526 | 9 | 82 |
| 52DJ0527 | 8 | 82 |
| 52DJ0528 | 9 | 82 |

| Part No. | Figure No. | Page No. |
|----------|------------|----------|
| 52DJ0529 | 4 | 82 |
| 52DJ0531 | 4 | 82 |
| 52DJ0532 | 2 | 82 |
| 52DJ0533 | 3 | 82 |
| 52DJ0534 | 2 | 82 |
| 52DJ0535 | 3 | 82 |
| 52DJ0536 | 2 | 82 |
| 52DJ0537 | 3 | 82 |
| 52DJ0555 | 1 | 82 |
| 52DJ0556 | 1 | 82 |
| 52DJ0557 | 1 | 82 |
| 52DJ0562 | 2 | 82 |
| 52DJ0563 | 3 | 82 |
| 52DJ0566 | 7 | 82 |
| 52DJ0567 | 8 | 82 |
| 52DJ0568 | 9 | 82 |
| 52DJ0569 | 1 | 76 |
| 52DJ0573 | 1 | 82 |
| 52DJ0574 | 1 | 82 |
| 52DJ0575 | 1 | 82 |
| 52DJ0625 | 1 | 82 |
| 52Dk0013 | 5 | 76 |
| 52Dk0027 | 4 | 76 |
| 52DK45X3 | 4 | 82 |
| 52DK5506 | 2 | 76 |
| 52DK5507 | 3 | 76 |
| 56DK455Y | 4 | 82 |
| AA101437 | 24 | 16 |
| AA101437 | 4 | 22 |
| AA121045 | 4 | 34 |
| AL201012 | 11 | 102 |
| BA122003 | 13 | 86 |
| CL201023 | 15 | 96 |
| CS101128 | 1 | 8 |
| CS101128 | 14 | 8 |

| Part No. | Figure No. | Page No. |
|----------|------------|----------|
| DD101062 | 15 | 8 |
| DD111012 | 16 | 42 |
| DD111046 | 15 | 32 |
| DD111048 | 14 | 42 |
| DD121007 | 8 | 10 |
| DD141227 | 7 | 86 |
| DE151008 | 15 | 62 |
| DE191010 | 5 | 64 |
| DE191010 | 5 | 66 |
| DE191011 | 4 | 64 |
| DE191011 | 4 | 66 |
| DE191043 | 1 | 64 |
| DE191043 | 1 | 66 |
| DF161102 | 9 | 58 |
| DF181098 | 4 | 96 |
| DG101029 | 4 | 6 |
| DG101418 | 8 | 26 |
| DG101456 | 10 | 24 |
| DG101498 | 11 | 2 |
| DG101498 | 16 | 24 |
| DG111008 | 8 | 42 |
| DG141028 | 15 | 86 |
| DG151005 | 4 | 62 |
| DG151007 | 12 | 62 |
| DG151008 | 9 | 62 |
| DG151049 | 10 | 62 |
| DG161121 | 3 | 88 |
| DG161121 | 12 | 88 |
| DG161124 | 7 | 36 |
| DG171018 | 5 | 50 |
| DG171019 | 7 | 50 |
| DG171020 | 12 | 50 |
| DG171021 | 11 | 50 |
| DG171022 | 14 | 50 |
| DG171034 | 10 | 50 |

| Part No. | Figure No. | Page No. |
|----------|------------|----------|
| DG171038 | 2 | 50 |
| DG181008 | 5 | 72 |
| DG181008 | 20 | 74 |
| DG181042 | 4 | 48 |
| DG181045 | 24 | 74 |
| DG181048 | 3 | 48 |
| DG181065 | 22 | 88 |
| DH101006 | 5 | 22 |
| DH101018 | 12 | 26 |
| DH101048 | 8 | 8 |
| DH101064 | 10 | 12 |
| DH101065 | 12 | 12 |
| DH101072 | 2 | 14 |
| DH101079 | 4 | 16 |
| DH101084 | 8 | 16 |
| DH101111 | 15 | 16 |
| DH101141 | 5 | 26 |
| DH101142 | 3 | 26 |
| DH101143 | 2 | 20 |
| DH101144 | 3 | 20 |
| DH101146 | 3 | 18 |
| DH101154 | 13 | 26 |
| DH101157 | 5 | 28 |
| DH101163 | 15 | 40 |
| DH101172 | 7 | 40 |
| DH101180 | 15 | 30 |
| DH101195 | 11 | 12 |
| DH101197 | 2 | 26 |
| DH101199 | 5 | 42 |
| DH101203 | 12 | 24 |
| DH101235 | 5 | 16 |
| DH101246 | 13 | 24 |
| DH101272 | 10 | 2 |
| DH101275 | 1 | 30 |
| DH101295 | 8 | 6 |

| Part No. | Figure No. | Page No. |
|----------|------------|----------|
| DH101302 | 9 | 36 |
| DH101319 | 18 | 16 |
| DH101323 | 10 | 28 |
| DH101333 | 19 | 16 |
| DH101336 | 11 | 16 |
| DH101373 | 12 | 14 |
| DH101380 | 7 | 42 |
| DH101381 | 4 | 42 |
| DH101383 | 4 | 22 |
| DH101385 | 5 | 40 |
| DH101386 | 3 | 42 |
| DH101388 | 20 | 26 |
| DH101388 | 9 | 28 |
| DH101389 | 13 | 40 |
| DH101390 | 20 | 24 |
| DH101392 | 11 | 8 |
| DH101393 | 7 | 20 |
| DH101394 | 10 | 20 |
| DH101396 | 2 | 12 |
| DH101412 | 7 | 8 |
| DH101414 | 10 | 10 |
| DH101424 | 6 | 14 |
| DH101468 | 2 | 36 |
| DH101482 | 24 | 26 |
| DH101487 | 10 | 22 |
| DH101493 | 4 | 18 |
| DH101496 | 9 | 18 |
| DH101503 | 8 | 20 |
| DH101508 | 4 | 4 |
| DH101509 | 5 | 20 |
| DH101510 | 25 | 26 |
| DH101521 | 8 | 36 |
| DH101544 | 17 | 26 |
| DH101581 | 4 | 40 |
| DH101608 | 10 | 36 |

| Part No. | Figure No. | Page No. |
|----------|------------|----------|
| DH101648 | 14 | 30 |
| DH101661 | 15 | 24 |
| DH101705 | 1 | 20 |
| DH101722 | 1 | 20 |
| DH101784 | 25 | 24 |
| DH101861 | 8 | 30 |
| DH102053 | 4 | 14 |
| DH102139 | 2 | 36 |
| DH102189 | 8 | 18 |
| DH111012 | 10 | 4 |
| DH111013 | 10 | 42 |
| DH111013 | 17 | 42 |
| DH111015 | 15 | 42 |
| DH111016 | 19 | 42 |
| DH111081 | 2 | 42 |
| DH111083 | 6 | 42 |
| DH111084 | 10 | 40 |
| DH121010 | 3 | 38 |
| DH121011 | 15 | 26 |
| DH121012 | 16 | 26 |
| DH121035 | 5 | 38 |
| DH121038 | 8 | 4 |
| DH121101 | 9 | 32 |
| DH121149 | 3 | 32 |
| DH121150 | 13 | 32 |
| DH121191 | 3 | 34 |
| DH141020 | 6 | 76 |
| DH141020 | 6 | 82 |
| DH141021 | 16 | 86 |
| DH141023 | 6 | 88 |
| DH141024 | 14 | 86 |
| DH141031 | 2 | 88 |
| DH151029 | 10 | 70 |
| DH161046 | 3 | 44 |
| DH161053 | 4 | 52 |

| Part No. | Figure No. | Page No. |
|----------|------------|----------|
| DH161056 | 7 | 52 |
| DH161066 | 7 | 58 |
| DH161100 | 11 | 54 |
| DH161112 | 2 | 48 |
| DH161121 | 4 | 58 |
| DH161145 | 5 | 58 |
| DH161146 | 8 | 58 |
| DH161189 | 2 | 46 |
| DH161190 | 3 | 46 |
| DH161273 | 9 | 46 |
| DH161283 | 2 | 94 |
| DH161293 | 2 | 100 |
| DH161293 | 16 | 100 |
| DH171019 | 8 | 50 |
| DH171019 | 8 | 62 |
| DH171019 | 13 | 68 |
| DH181009 | 12 | 74 |
| DH181052 | 10 | 96 |
| DH181119 | 26 | 72A |
| DH181119 | 5 | 88 |
| DH191007 | 13 | 72 |
| DH191008 | 14 | 72 |
| DH191017 | 25 | 72A |
| DH201040 | 17 | 96 |
| DH201065 | 13 | 58 |
| DH73032V | 4 | 76 |
| DH73034K | 4 | 76 |
| DH73034L | 4 | 76 |
| DH73034M | 4 | 76 |
| DH73035L | 4 | 76 |
| DH74014K | 7 | 76 |
| DH74014L | 7 | 76 |
| DH74014M | 7 | 76 |
| DH74015C | 7 | 76 |
| DJ101004 | 1 | 10 |

| Part No. | Figure No. | Page No. |
|----------|------------|----------|
| DJ101012 | 3 | 4 |
| DJ101063 | 23 | 16 |
| DJ101064 | 4 | 36 |
| DJ101106 | 4 | 10 |
| DJ101158 | 3 | 10 |
| DJ101215 | 5 | 4 |
| DJ101217 | 2 | 2 |
| DJ101271 | 1 | 28 |
| DJ101300 | 24 | 16 |
| DJ101350 | 3 | 30 |
| DJ101369 | 6 | 30 |
| DJ101371 | 6 | 10 |
| DJ101373 | 2 | 8 |
| DJ101389 | 1 | 22 |
| DJ101390 | 1 | 2 |
| DJ101391 | 1 | 36 |
| DJ101420 | 1 | 36 |
| DJ101662 | 10 | 36 |
| DJ101672 | 1 | 22 |
| DJ101689 | 1 | 14 |
| DJ111092 | 9 | 42 |
| DJ121022 | 7 | 4 |
| DJ121041 | 1 | 32 |
| DJ121044 | 4 | 32 |
| DJ121051 | 2 | 32 |
| DJ121053 | 5 | 32 |
| DJ121054 | 6 | 32 |
| DJ121055 | 7 | 32 |
| DJ121056 | 8 | 32 |
| DJ121057 | 12 | 32 |
| DJ121059 | 14 | 32 |
| DJ121068 | 3 | 34 |
| DJ121070 | 10 | 32 |
| DJ121071 | 1 | 34 |
| DJ121079 | 1 | 32 |

| Part No. | Figure No. | Page No. |
|----------|------------|----------|
| DJ141008 | 7 | 88 |
| DJ141056 | 4 | 86 |
| DJ141061 | 13 | 84 |
| DJ151034 | 16 | 68 |
| DJ151121 | 15 | 70 |
| DJ161069 | 1 | 56 |
| DJ161072 | 9 | 100 |
| DJ161079 | 8 | 106 |
| DJ161080 | 9 | 106 |
| DJ161122 | 5 | 54 |
| DJ161126 | 1 | 52 |
| DJ161127 | 3 | 52 |
| DJ161128 | 3 | 54 |
| DJ161129 | 4 | 54 |
| DJ161132 | 8 | 48 |
| DJ161133 | 9 | 48 |
| DJ161186 | 10 | 54 |
| DJ161228 | 13 | 28 |
| DJ161229 | 12 | 96 |
| DJ161247 | 6 | 102 |
| DJ161301 | 15 | 46 |
| DJ161302 | 16 | 46 |
| DJ161304 | 10 | 78 |
| DJ161304 | 10 | 82 |
| DJ161305 | 10 | 78 |
| DJ161305 | 10 | 82 |
| DJ161306 | 10 | 78 |
| DJ161306 | 10 | 84 |
| DJ161307 | 10 | 78 |
| DJ161307 | 10 | 82 |
| DJ161313 | 10 | 78 |
| DJ161313 | 10 | 84 |
| DJ161324 | 2 | 54 |
| DJ161373 | 12 | 78 |
| DJ161374 | 12 | 78 |

| Part No. | Figure No. | Page No. |
|----------|------------|----------|
| DJ161403 | 12 | 84 |
| DJ161404 | 12 | 84 |
| DJ171035 | 4 | 50 |
| DJ181011 | 16 | 72 |
| DJ181033 | 3 | 96 |
| DJ181037 | 7 | 96 |
| DJ181069 | 16 | 96 |
| DJ181083 | 19 | 100 |
| DJ181090 | 7 | 76 |
| DJ181119 | 3 | 90 |
| DJ181120 | 2 | 96 |
| DJ191027 | 6 | 64 |
| DJ191027 | 6 | 66 |
| DJ191028 | 7 | 64 |
| DJ191028 | 7 | 66 |
| DJ191029 | 8 | 64 |
| DJ191029 | 8 | 66 |
| DJ191030 | 9 | 64 |
| DJ191030 | 9 | 66 |
| DJ191031 | 10 | 64 |
| DJ191031 | 10 | 66 |
| DJ191034 | 13 | 64 |
| DJ191034 | 13 | 66 |
| DJ191035 | 14 | 64 |
| DJ191035 | 14 | 66 |
| DJ191054 | 8A | 72 |
| DJ191055 | 9 | 72 |
| DJ191056 | 11 | 64 |
| DJ191056 | 11 | 66 |
| DJ191057 | 3 | 64 |
| DJ191057 | 3 | 66 |
| DJ191061 | 1 | 92 |
| DJ191071 | 1 | 90 |
| DJ191081 | 8A | 72 |
| DJ191082 | 8 | 72 |

| Part No. | Figure No. | Page No. |
|----------|------------|----------|
| DJ191083 | 9 | 72 |
| DJ191084 | 1 | 90 |
| DJ201020 | 9 | 102 |
| DJ201021 | 21 | 24 |
| DJ201028 | 11 | 102 |
| DJ201072 | 9 | 96 |
| DJ201106 | 13 | 58 |
| DJ201108 | 16 | 64 |
| DJ201108 | 16 | 66 |
| DJ201109 | 12 | 64 |
| DJ201109 | 12 | 66 |
| DJ201126 | 5 | 102 |
| DJ201140 | 14 | 102 |
| DJ201159 | 5 | 90 |
| DJ201174 | 4 | 90 |
| DJ201176 | 1 | 96 |
| DJ201195 | 21 | 72A |
| DJ201202 | 11 | 42 |
| DJ201206 | 2 | 98 |
| DJ201206 | 3 | 98 |
| DJ201207 | 1 | 98 |
| DJ201207 | 4 | 98 |
| DJ201208 | 1 | 98 |
| DJ201209 | 2 | 98 |
| DJ201246 | 21 | 72A |
| DJ201250 | 7 | 102 |
| DJ201251 | 7 | 102 |
| DJ201252 | 19 | 102 |
| DJ201253 | 13A | 70 |
| DJ201254 | 7 | 102 |
| DJ221003 | 30 | 72A |
| DJ221004 | 31 | 72A |
| DJ221019 | 1 | 104 |
| DJ71075F | 1 | 76 |
| DJ71075G | 1 | 76 |

| Part No. | Figure No. | Page No. |
|----------|------------|----------|
| DJ72012V | 1 | 76 |
| DJ72014K | 1 | 76 |
| DJ72014L | 1 | 76 |
| DJ72014M | 1 | 76 |
| DJ72015C | 1 | 76 |
| DJ72022V | 1 | 76 |
| DJ72024K | 1 | 76 |
| DJ72024M | 1 | 76 |
| DJ74012V | 7 | 76 |
| DJ902503 | 1 | 14 |
| DK101072 | 12 | 30 |
| DK101094 | 3 | 24 |
| DK101097 | 23 | 24 |
| DK101102 | 6 | 16 |
| DK101103 | 3 | 16 |
| DK101104 | 7 | 16 |
| DK101105 | 12 | 16 |
| DK101106 | 14 | 16 |
| DK101118 | 16 | 16 |
| DK101126 | 13 | 30 |
| DK101133 | 1 | 18 |
| DK101134 | 2 | 18 |
| DK101135 | 10 | 18 |
| DK101144 | 10 | 16 |
| DK101159 | 1 | 18 |
| DK101160 | 2 | 18 |
| DK101176 | 6 | 40 |
| DK101177 | 16 | 20 |
| DK101180 | 13 | 20 |
| DK101182 | 4 | 20 |
| DK101185 | 14 | 20 |
| DK101185 | 3 | 70 |
| DK101186 | 15 | 20 |
| DK101187 | 12 | 20 |
| DK101187 | 4 | 70 |

| Part No. | Figure No. | Page No. |
|----------|------------|----------|
| DK101245 | 20 | 16 |
| DK101248 | 7 | 12 |
| DK101251 | 7 | 26 |
| DK101253 | 9 | 20 |
| DK101326 | 6 | 6 |
| DK101352 | 21 | 16 |
| DK101361 | 8 | 18 |
| DK101380 | 17 | 24 |
| DK101382 | 5 | 18 |
| DK101386 | 9 | 8 |
| DK101471 | 1 | 16 |
| DK101480 | 14 | 12 |
| DK101480 | 14 | 26 |
| DK101564 | 4 | 30 |
| DK101565 | 7 | 30 |
| DK101569 | 5 | 30 |
| DK101570 | 17 | 30 |
| DK101571 | 2 | 30 |
| DK101573 | 11 | 30 |
| DK101574 | 9 | 30 |
| DK101592 | 7 | 10 |
| DK101605 | 2 | 40 |
| DK101636 | 15 | 30 |
| DK101717 | 16 | 16 |
| DK101718 | 14 | 16 |
| DK101719 | 19 | 16 |
| DK101721 | 17 | 16 |
| DK101722 | 3 | 20 |
| DK101725 | 8 | 20 |
| DK101732 | 5 | 18 |
| DK101738 | 21A | 26 |
| DK101748 | 1 | 6 |
| DK101751 | 2 | 6 |
| DK101755 | 3 | 6 |
| DK101762 | 7 | 28 |

| Part No. | Figure No. | Page No. |
|----------|------------|----------|
| DK101770 | 12 | 40 |
| DK121008 | 7 | 34 |
| DK121015 | 6 | 34 |
| DK141013 | 5 | 86 |
| DK141014 | 1 | 86 |
| DK141015 | 21 | 88 |
| DK141017 | 20 | 88 |
| DK141028 | 10 | 86 |
| DK151008 | 13 | 62 |
| DK151009 | 10 | 68 |
| DK151012 | 19 | 68 |
| DK151013 | 20 | 68 |
| DK151014 | 11 | 68 |
| DK151015 | 23 | 68 |
| DK151022 | 2 | 68 |
| DK151026 | 5 | 60 |
| DK151027 | 7 | 62 |
| DK151028 | 3 | 62 |
| DK151036 | 25 | 68 |
| DK151039 | 2 | 60 |
| DK151040 | 4 | 60 |
| DK151057 | 2 | 64 |
| DK151057 | 2 | 66 |
| DK151095 | 13 | 62 |
| DK161085 | 9 | 56 |
| DK161086 | 5 | 56 |
| DK161096 | 1 | 46 |
| DK161098 | 2 | 56 |
| DK161122 | 1 | 58 |
| DK161123 | 9 | 88 |
| DK161124 | 10 | 88 |
| DK161137 | 1 | 54 |
| DK161147 | 5 | 106 |
| DK161148 | 6 | 106 |
| DK161153 | 3 | 100 |

| Part No. | Figure No. | Page No. |
|----------|------------|----------|
| DK161159 | 5 | 46 |
| DK161161 | 6 | 46 |
| DK161164 | 10 | 56 |
| DK161176 | 3 | 106 |
| DK161209 | 6 | 90 |
| DK161250 | 1 | 94 |
| DK161308 | 1 | 54 |
| DK171003 | 9 | 50 |
| DK171006 | 6 | 50 |
| DK171014 | 1 | 50 |
| DK181006 | 7 | 74 |
| DK181007 | 6 | 74 |
| DK181008 | 30 | 74 |
| DK181009 | 33 | 74 |
| DK181010 | 8 | 74 |
| DK181011 | 10 | 74 |
| DK181012 | 31 | 74 |
| DK181013 | 32 | 74 |
| DK181017 | 28 | 74 |
| DK181018 | 17 | 74 |
| DK181019 | 3 | 74 |
| DK181020 | 29 | 74 |
| DK181021 | 2 | 74 |
| DK181022 | 13 | 74 |
| DK181023 | 14 | 74 |
| DK181024 | 25 | 74 |
| DK181025 | 26 | 74 |
| DK181026 | 27 | 74 |
| DK181027 | 1 | 72 |
| DK181027 | 19 | 74 |
| DK181036 | 22 | 72A |
| DK181036 | 29 | 72A |
| DK181038 | 3 | 72 |
| DK181039 | 4 | 72 |
| DK181056 | 4 | 74 |

| Part No. | Figure No. | Page No. |
|----------|------------|----------|
| DK181057 | 5 | 74 |
| DK181058 | 27 | 72A |
| DK181060 | 4 | 72 |
| DK181062 | 3 | 72 |
| DK181063 | 1 | 72 |
| DK181070 | 9 | 74 |
| DK181071 | 16 | 74 |
| DK181072 | 1 | 74 |
| DK181073 | 11 | 74 |
| DK181081 | 4 | 72 |
| DK181082 | 23 | 72A |
| DK181085 | 3 | 72 |
| DK181086 | 24 | 72A |
| DK181087 | 1 | 74 |
| DK181090 | 4 | 74 |
| DK181091 | 5 | 74 |
| DK181093 | 16 | 74 |
| DK191013 | 6 | 70 |
| DK201003 | 1 | 100 |
| DK201037 | 1 | 102 |
| DK201038 | 2 | 102 |
| DK201065 | 9 | 86 |
| DK201078 | 13 | 102 |
| DK211001 | 1 | 44 |
| DK211004 | 4 | 44 |
| DK211007 | 7 | 44 |
| DK211008 | 5 | 44 |
| DK221011 | 1 | 104 |
| DK221024 | 2 | 104 |
| DK73042V | 5 | 76 |
| DK73044K | 5 | 82 |
| DK74022T | 5 | 76 |
| DK74023A | 5 | 76 |
| DK7402X3 | 5 | 76 |
| DL181010 | 6 | 96 |

| Part No. | Figure No. | Page No. |
|----------|------------|----------|
| DL191014 | 10 | 72 |
| DP161144 | 13 | 100 |
| DP161145 | 10 | 100 |
| DS101084 | 7 | 2 |
| DS101096 | 5 | 2 |
| DS101154 | 5 | 12 |
| DS101166 | 4 | 2 |
| DS101215 | 9 | 26 |
| DS101263 | 6 | 26 |
| DS101276 | 6 | 8 |
| DS101333 | 3 | 6 |
| DS101335 | 1 | 6 |
| DS101336 | 2 | 6 |
| DS101353 | 10 | 26 |
| DS101353 | 3 | 28 |
| DS101353 | 12 | 28 |
| DS101353 | 11 | 40 |
| DS101366 | 8 | 6 |
| DS121117 | 8 | 34 |
| DS151073 | 22 | 68 |
| DS151074 | 18 | 68 |
| DS161125 | 4 | 56 |
| DS161224 | 7 | 48 |
| DS191052 | 15 | 72 |
| DS191052 | 18 | 72 |
| DS201025 | 10 | 102 |
| DS211004 | 8 | 44 |
| DS211005 | 2 | 44 |
| DT402002 | 10 | 102 |
| DT402006 | 10 | 102 |
| DV101042 | 2 | 28 |
| DV101048 | 22 | 16 |
| GH201012 | 7 | 98 |
| JC101001 | 1 | 12 |
| JC101029 | 2 | 22 |

| Part No. | Figure No. | Page No. |
|----------|------------|----------|
| JC101033 | 7 | 28 |
| JC101034 | 12 | 8 |
| JC101035 | 10 | 8 |
| JC101040 | 21 | 26 |
| JC101045 | 1 | 24 |
| JC101086 | 3 | 8 |
| JC101114 | 3 | 40 |
| JC101115 | 8 | 40 |
| JC111022 | 12 | 42 |
| JC111023 | 13 | 42 |
| JC141015 | 15 | 88 |
| JC141016 | 17 | 88 |
| JC141017 | 16 | 88 |
| JC141050 | 11 | 78 |
| JC141050 | 11 | 84 |
| JC141051 | 11 | 78 |
| JC141051 | 11 | 84 |
| JC141059 | 12A | 84 |
| JC141061 | 12A | 84 |
| JC151002 | 8 | 68 |
| JC151004 | 7 | 68 |
| JC151005 | 7 | 68 |
| JC151007 | 27 | 68 |
| JC151008 | 11 | 70 |
| JC151010 | 3 | 60 |
| JC151011 | 16 | 68 |
| JC151013 | 1 | 60 |
| JC151013 | 1 | 62 |
| JC151016 | 21 | 68 |
| JC151020 | 11 | 62 |
| JC161002 | 2 | 54 |
| JC161014 | 11 | 48 |
| JC161015 | 16 | 46 |
| JC161015 | 10 | 48 |
| JC161017 | 6 | 58 |

| Part No. | Figure No. | Page No. |
|----------|------------|----------|
| JC161028 | 15 | 46 |
| JC161031 | 1 | 48 |
| JC161049 | 1 | 48 |
| JC181022 | 22 | 74 |
| JC181023 | 21 | 74 |
| JC181024 | 23 | 74 |
| JC181025 | 17 | 100 |
| JC181026 | 14 | 100 |
| JC181029 | 26 | 72A |
| JC181029 | 5 | 88 |
| JC191001 | 1 | 70 |
| JC191002 | 7 | 70 |
| JC191004 | 3 | 92 |
| JC191009 | 2 | 70 |
| JC201004 | 13 | 70 |
| JC201004 | 8 | 102 |
| JC201016 | 10 | 102 |
| JC201017 | 6 | 72 |
| JC201018 | 7 | 72 |
| JC201027 | 17 | 102 |
| JC201039 | 11 | 58 |
| JC201043 | 2 | 92 |
| JC201045 | 19 | 72 |
| JC201046 | 14 | 62 |
| JD171018 | 14 | 88 |
| JD402217 | 20 | 102 |
| JE541212 | 10A | 28 |
| JF401400 | 6 | 72 |
| JF401401 | 7 | 72 |
| JG131219 | 3 | 68 |
| JM171003 | 11 | 50 |
| JM171004 | 12 | 50 |
| JN131812 | 6 | 68 |
| JW171007 | 13 | 88 |
| JW401011 | 8 | 100 |

| Part No. | Figure No. | Page No. |
|----------|------------|----------|
| LAC00020 | 27 | 72A |
| LAD00040 | 9 | 98 |
| PD511229 | 6 | 8 |
| PD531029 | 7 | 12 |

| Part No. | Figure No. | Page No. |
|----------|------------|----------|
|----------|------------|----------|