

**PLATINA**



**PLATINA**

**Bajaj Auto Limited**  
Akurdi Pune 411 035 India  
Tel +91 20 27472851  
Fax +91 20 27407385  
[www.bajajauto.com](http://www.bajajauto.com)

# Spare Parts Catalogue

(EXPORT)



We have pleasure in presenting the Spare Parts Catalogue for 'PLATINA' Motorcycle. This catalogue has been specially designed to assist you in selecting the correct parts for procurement to maintain 100% availability.

The Bajaj spares are subjected to the stringent quality control standards to ensure longer life of the vehicle. It is therefore necessary that only the Genuine Bajaj Spares are used.

In a continual effort to improve Performance and Efficiency of the vehicles, Specifications, Diagrams, Illustrations and Part Numbers can change without notice. Consequently, the description in this Spare Parts Catalogue cannot therefore be final and binding on us.

The modifications / alterations which are carried out after the issue of this catalogue, will be conveyed to you through our Service Circulars. You are requested to make necessary corrections in the Parts Catalogue as per the circulars so as to keep your catalogue up-to-date. This will ensure the appropriate and speedy delivery of the Spare Parts as the order placed will bear the latest part numbers.

In case, if you need any technical assistance contact the concerned Regional Team or write to us on the following address :

**Bajaj Auto Limited**  
International Marketing  
Akurdi, Pune 411 035 India  
Phone : 020-27472851  
Fax : 020-27407395  
E-mail : [exports@bajajauto.co.in](mailto:exports@bajajauto.co.in)

All information contained in this manual is based on the latest product information at the time of publication. Bajaj Auto Limited accepts no liability for any inaccuracies or omissions in this publication, although every possible care has been taken to make it as complete and accurate as possible. All procedures and specifications subject to change without prior notice. The right is reserved to make such changes at any time without prior notice and without incurring an obligation to make such changes to product manufactured previously. Contact your authorized Bajaj Dealer for the latest information on product improvements incorporated after this manual was issued.

DOC. NO.: 71110597

REV. 01 MAR 12

## Instructions for using the Catalogue



1. How to Read the Catalogue : Open the catalogue and from the pictorial index locate the group in which the part you want to find is present. Turn over to the concerned page number (as given by pictorial index). Now find out the figure of the part you wish to order. Write down the part number against that particular figure number from the text.

In case, if you have the part number and you need the other details, the part index can be used. The part index (at the end of the catalogue) will give you the figure and page number of the part you wish to order.

2. How to Order Spare Parts : The part number and the description of the part required should be invariably mentioned in the order as per the catalogue text.

The latest part number as conveyed through our service circulars should only appear on the order. In case of ordering painted components, colour shade of the components should be mentioned.

The quantity shown against the part number is the quantity per vehicle for that group so that particular quantity should be multiplied by the number of sets required.

3. Part Number System: We have used 8 digit system for part numbers. The model or hardware item is indicated by first two digits or alphanumeric, the next two or four digits indicate main group and the last four or two digits indicate serial number in main group or serial number or subgroup of fastener respectively. Thus the part numbers will be indicated by 2-2-4 or 2-4-2 digit system. Understanding this system will enable you to identify the spare parts easily.

4. Abbreviations : The following abbreviations are used in this catalogue.

assly.	Assembly	V	Volts
N.I.	Not illustrated	W	Watts
C'case	Crankcase	accl.	Accelerator
Cyl	Cylinder	Comp.	Complete
o/s.	Over size	Fr	Front
Std.	Standard	L	Length
A/t.	Alternate	Rr	Rear
R.H.	Right hand	Hex.	Hexagonal
L.H.	Left hand	AR	As required

## Index



No.	Description	Page No.	No.	Description	Page No.
1	Cylinder head	1	37	Chain case	50
2	Valve	2	38	Fittings - Petrol Tank & Side Cover	51
3	Camshaft & Tensioner	3	39	Meter Assly.	52
4	Cylinder & piston	4	40	Control Cables	53
5	Crank shaft	5	41	Head Lamp Assly / Fairing	54
6	Transmission	6	42	Turn Signal Lamp	55
7	Change drum / Shift fork	7	43	Front & Rear Number Plate	56
8	Gear change mechanism	8	44	Tail Lamp Assly.	57
9	Crankcase RH / Engine assly.	9	45	Electrical Equipment	58
10	Crankcase LH	10	46	Tool kit	59
11	Pipe oil	11	47	Seat Assly.	60
12	Cover Generator & Cover Chain	12	48	Accessories (Leg Guard, Saree Guard & Mirrors)	61
13	Clutch Cover	13		Kits List	62,63
14	Clutch	14			
15	Kick starter Mechanism	15			
16	Carburetor	16			
17	Air Filter Assly. & Battery Box	17			
18	Silencer Assly.	18			
19	Oil pump	19			
20	Magneto assly	20,21			
21	Frame	22			
22	Swing arm / Rear shock absorber	23&24			
23	Stand, Step & Stay LH / RH	25			
24	Fender (Front & Rear)	26			
25	Wheel Rim/Spokes/Tyre/Tube	27			
26	Tyre / Tube / Rim (for alloy wheel)	28			
27	Front Hub (For Spoke Wheel)	29,30			
28	Front Hub (For Alloy Wheel)	31,32			
29	Rear Hub (For Spoke Wheel)	33,34			
30	Rear Hub (For Alloy Wheel)	35,36			
31	Brake Pedal	37			
32	Handle bar	38,39			
33	Front Fork (Spoke Wheel)	40,41			
34	Front Fork (Alloy Wheel)	42,43			
35	Painted Parts	44-48			
36	Fuel Tank Cap, Tap Assly.	49			

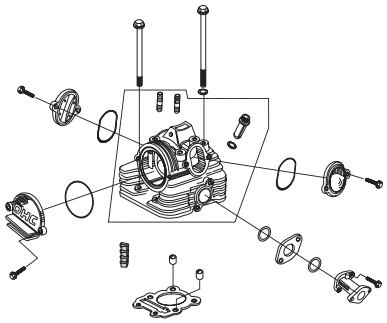
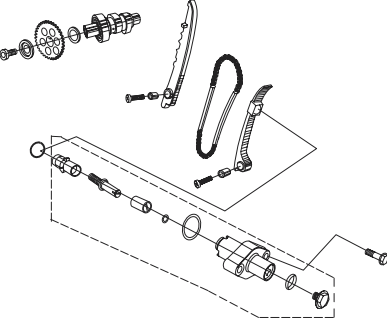
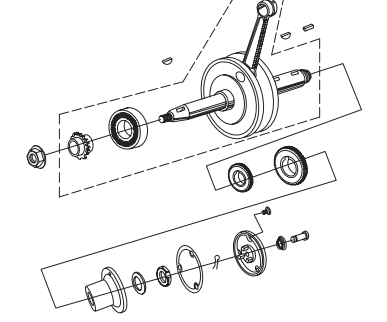
PLATE NO. : 1 CYLINDER HEAD	PAGE NO.: 1
	
PLATE NO. : 3 CAMSHAFT & TENSIONER	PAGE NO.: 3
	
PLATE NO. : 5 CRANKSHAFT	PAGE NO.: 5
	

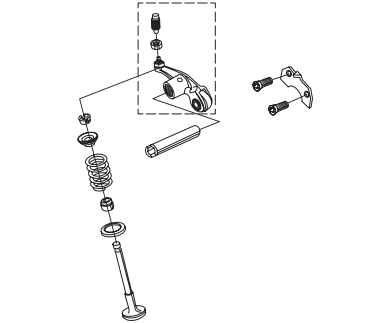
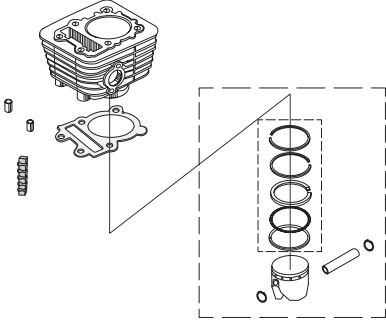
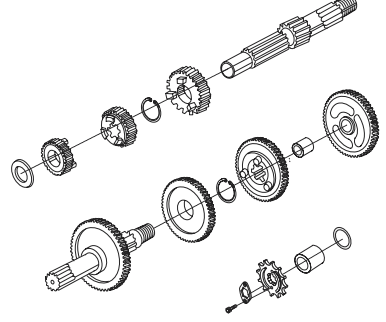
PLATE NO. : 2 VALVE	PAGE NO.: 2
	
PLATE NO. : 4 CYLINDER AND PISTON	PAGE NO.: 4
	
PLATE NO. : 6 TRANSMISSION	PAGE NO.: 6
	

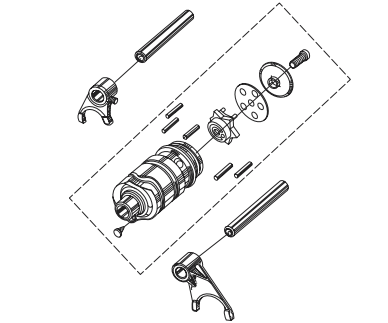
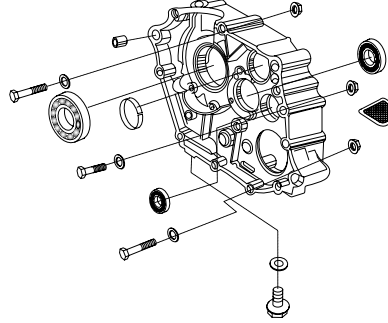
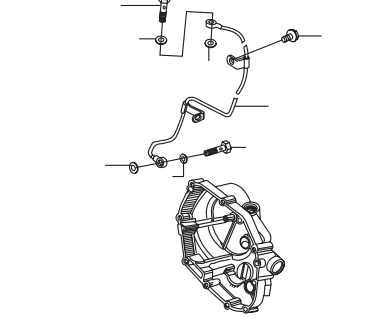
PLATE NO. : 7 CHANGE DRUM / SHIFT FORK	PAGE NO.: 7
	
PLATE NO. : 9 CRANKCASE RH / ENGINE ASSEMBLY	PAGE NO.: 9
	
PLATE NO. : 11 PIPE OIL	PAGE NO.: 11
	

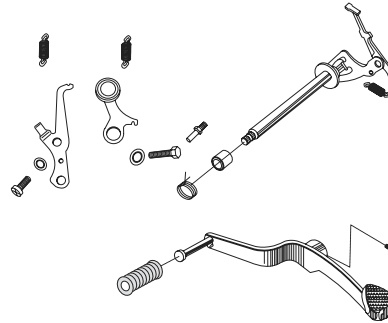
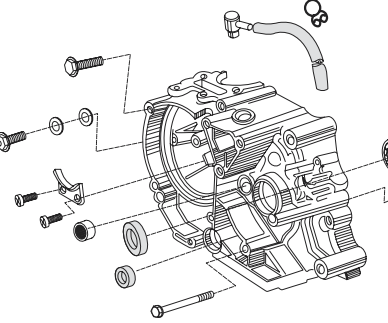
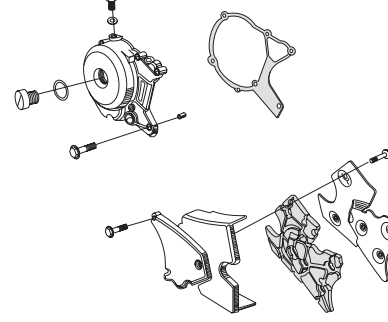
PLATE NO. : 8 GEAR CHANGE MECHANISM	PAGE NO.: 8
	
PLATE NO. : 10 CRANKCASE LH	PAGE NO.: 10
	
PLATE NO. : 12 COVER GENERATOR & COVER CHAIN	PAGE NO.: 12
	

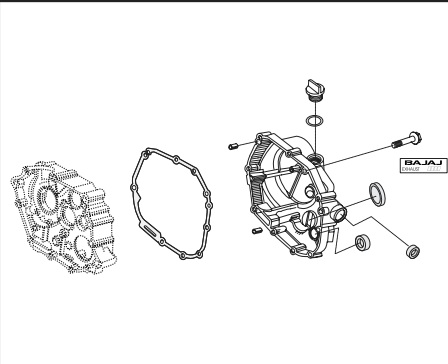
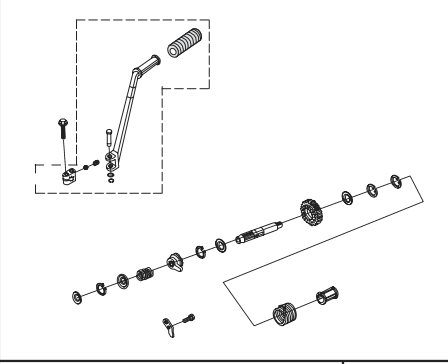
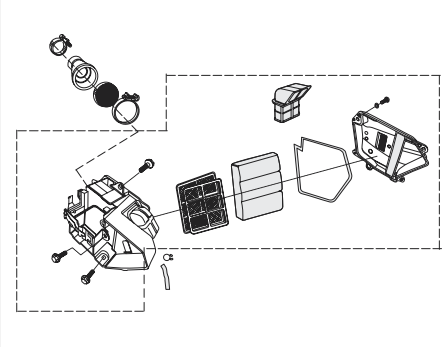
PLATE NO. : 13 CLUTCH COVER	PAGE NO.: 13
	
PLATE NO. : 15 KICK STARTER MECHANISM	PAGE NO.: 15
	
PLATE NO. : 17 AIR FILTER ASSLY & BATTERY BOX	PAGE NO.: 17
	

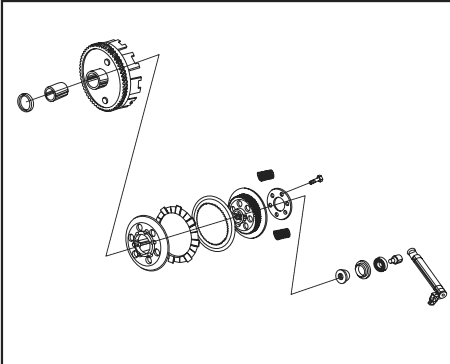
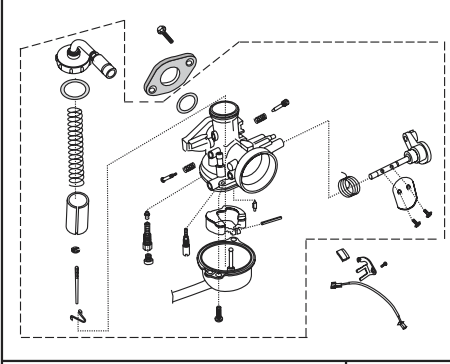
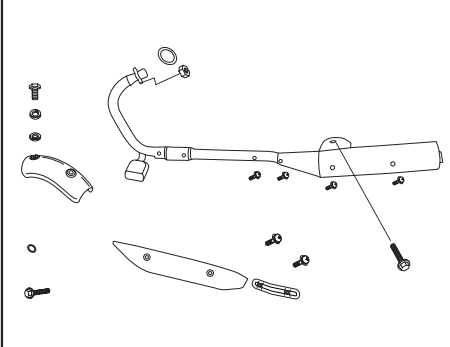
PLATE NO. : 14 CLUTCH	PAGE NO.: 14
	
PLATE NO. : 16 CARBURETTOR	PAGE NO.: 16
	
PLATE NO. : 18 SILENCER ASSEMBLY	PAGE NO.: 18
	

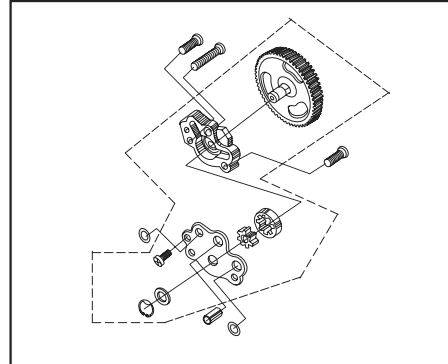
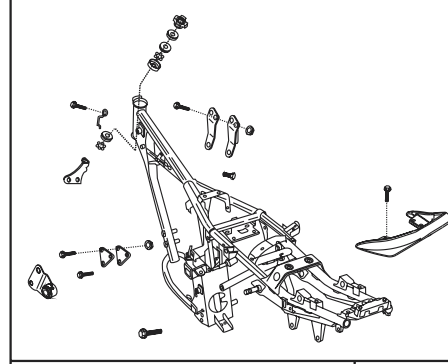
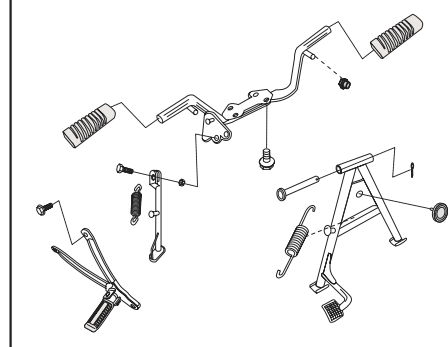
PLATE NO. : 19 OIL PUMP	PAGE NO.: 19
	
PLATE NO. : 21 FRAME	PAGE NO.: 22
	
PLATE NO. : 23 STAND, STEP & STAY LH / RH	PAGE NO.: 25
	

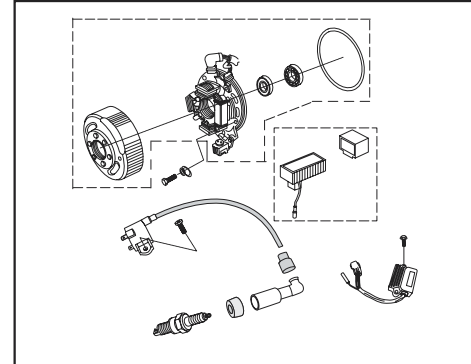
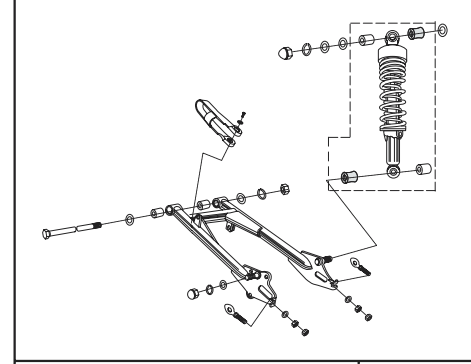
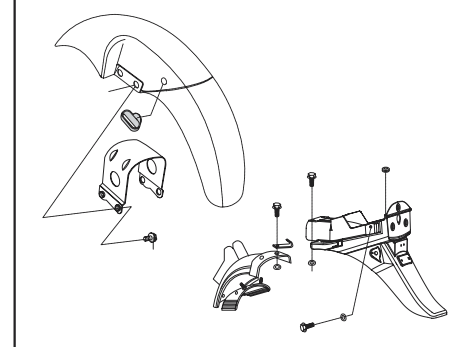
PLATE NO. : 20 MAGNETO ASSEMBLY	PAGE NO.: 20/21
	
PLATE NO. : 22 SWING ARM / REAR SHOCK ABSORBER	PAGE NO.: 23 & 24
	
PLATE NO. : 24 FENDER (FRONT & REAR)	PAGE NO.: 26
	

PLATE NO. : 25	PAGE NO.:
WHEEL RIM / SPOKES / TYRE / TUBE	27

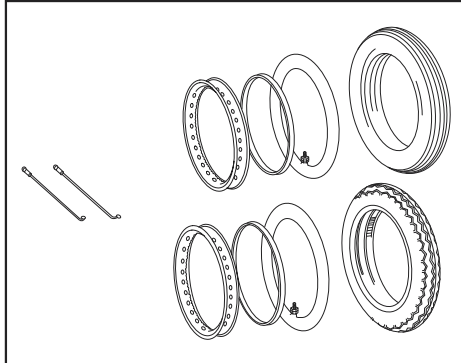


PLATE NO. : 27	PAGE NO.:
FRONT HUB (FOR SP WH & DRUM BR)	29 & 30

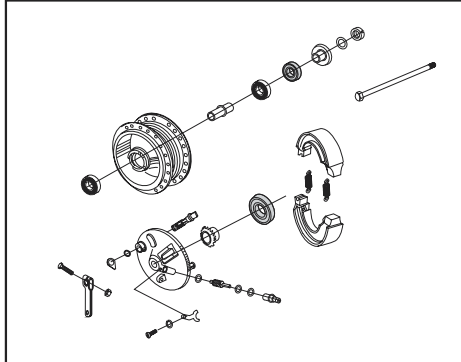


PLATE NO. : 29	PAGE NO.:
RR HUB (FOR SP WH & DRUM BRAKE)	33 & 34

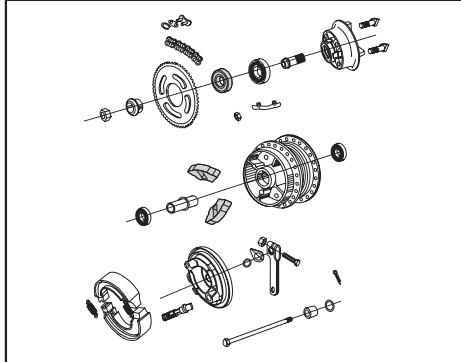


PLATE NO. : 26	PAGE NO.:
TYRE / TUBE / RIM (FOR ALLOY WHEEL)	28

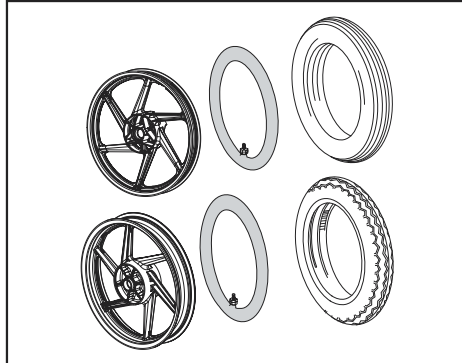


PLATE NO. : 28	PAGE NO.:
FRONT HUB (FOR ALL. WH & DRUM BR)	31 & 32

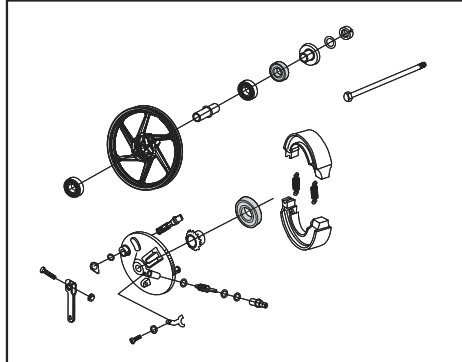


PLATE NO. : 30	PAGE NO.:
REAR HUB (FOR ALLOY WHEEL)	35 & 36

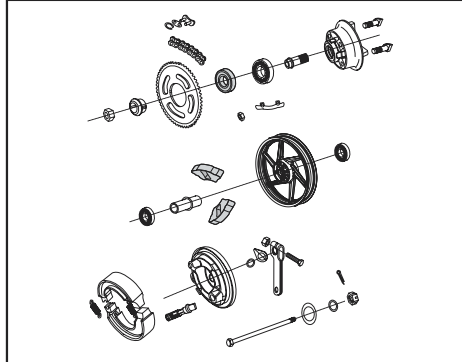


PLATE NO. : 31	PAGE NO.:
BRAKE PEDAL	37

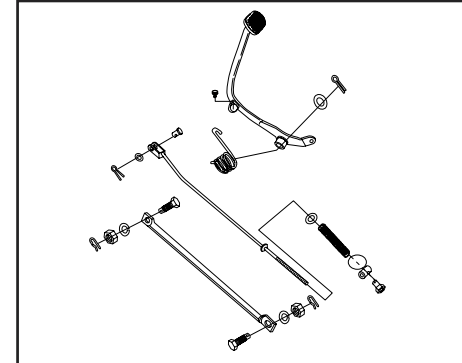


PLATE NO. : 33	PAGE NO.:
FRONT FORK	40 to 43

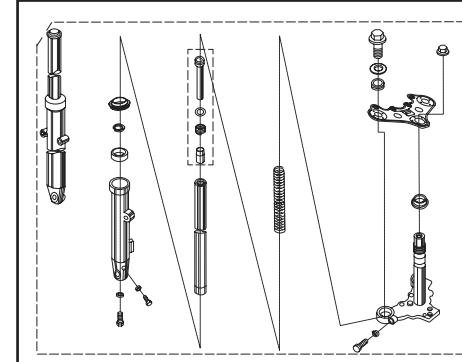


PLATE NO. : 35	PAGE NO.:
FUEL TANK CAP, TANK ASSLY & FUEL GAUGE	49

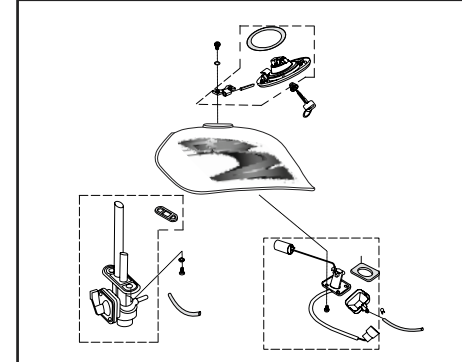


PLATE NO. : 32	PAGE NO.:
HANDLE BAR	38 & 39

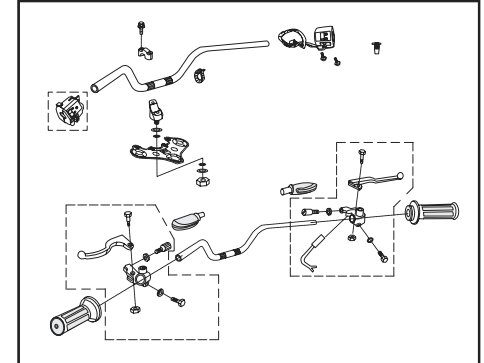


PLATE NO. : 34	PAGE NO.:
PAINTED PARTS	44 to 48

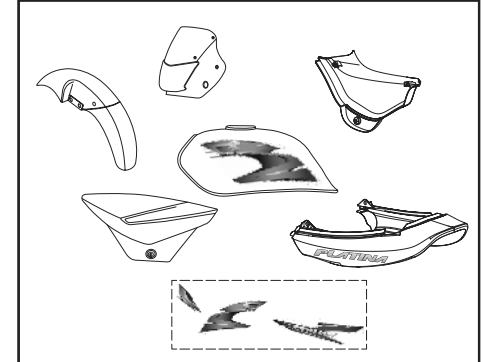


PLATE NO. : 36	PAGE NO.:
CHAIN CASE	50

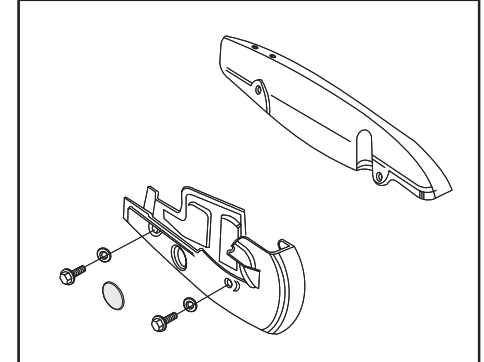


PLATE NO. : 37	PAGE NO.:
FITTINGS- PETROL TANK & SIDE COVER	51

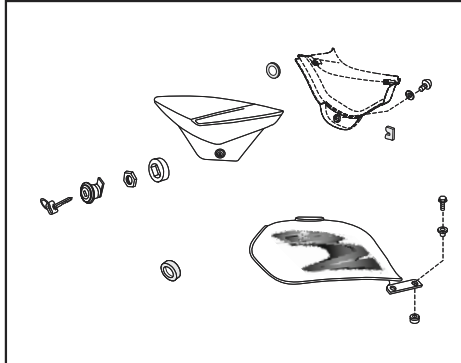


PLATE NO. : 39	PAGE NO.:
CONTROL CABLES	53

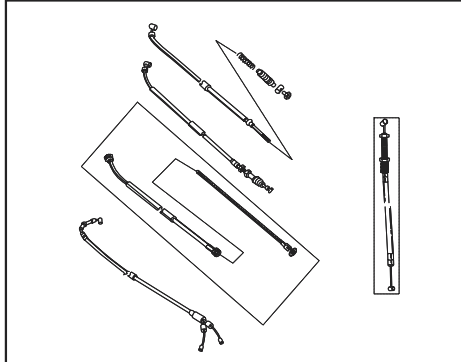


PLATE NO. : 41	PAGE NO.:
TURN SIGNAL LAMP	55

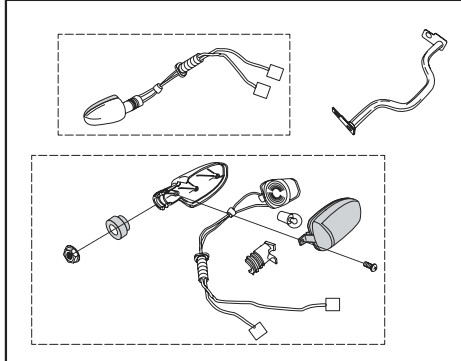


PLATE NO. : 38	PAGE NO.:
METER ASSEMBLY	42

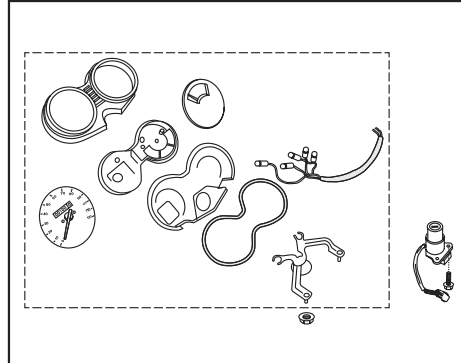


PLATE NO. : 40	PAGE NO.:
HEAD LAMP ASSLY / FAIRING	54

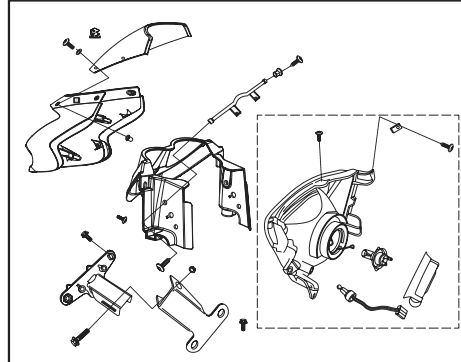


PLATE NO. : 42	PAGE NO.:
FRONT & REAR NUMBER PLATE	56

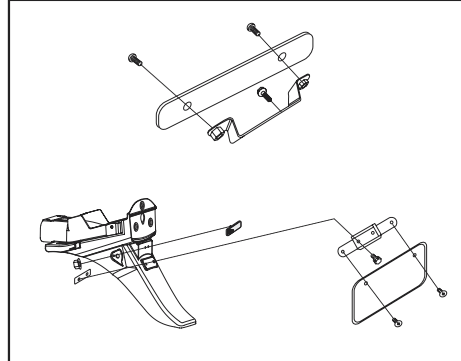


PLATE NO. : 43	PAGE NO.:
TAIL LAMP ASSEMBLY	57

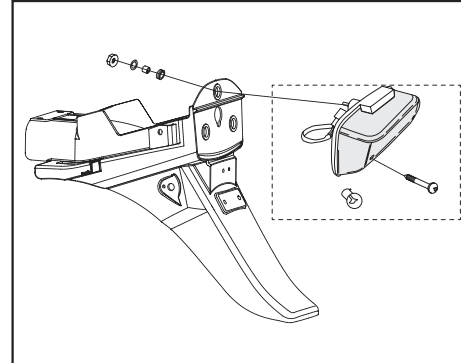


PLATE NO. : 45	PAGE NO.:
TOOL KIT	59

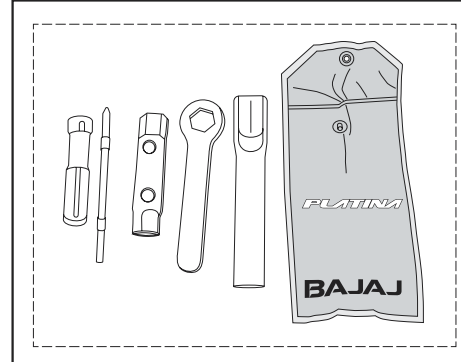


PLATE NO. : 47	PAGE NO.:
ACCESSORIES (LEG GUARD, SAREE GUARD & MIRRORS)	61

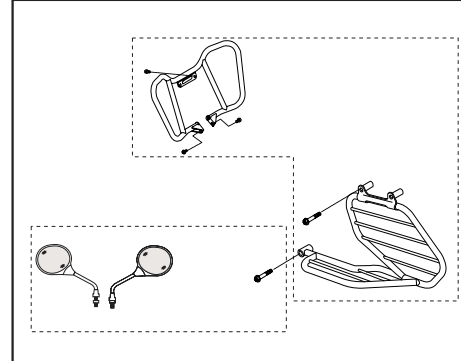


PLATE NO. : 44	PAGE NO.:
ELECTRICAL EQUIPMENT	58

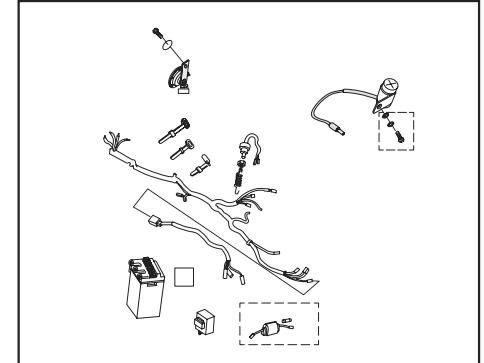
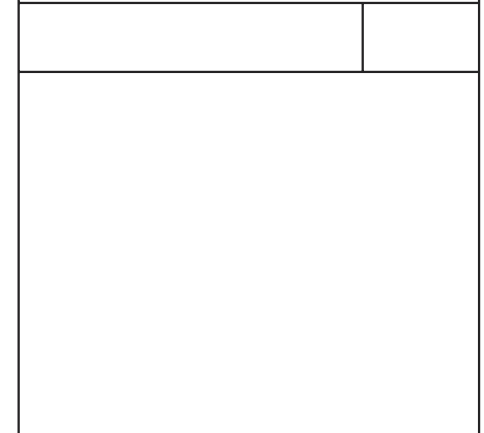
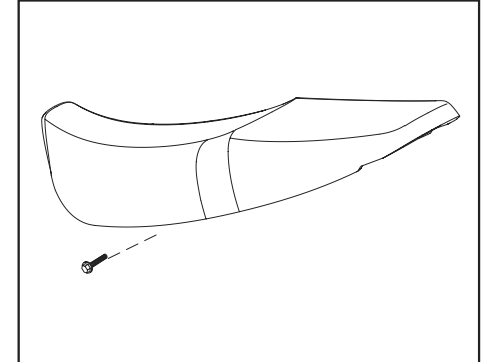
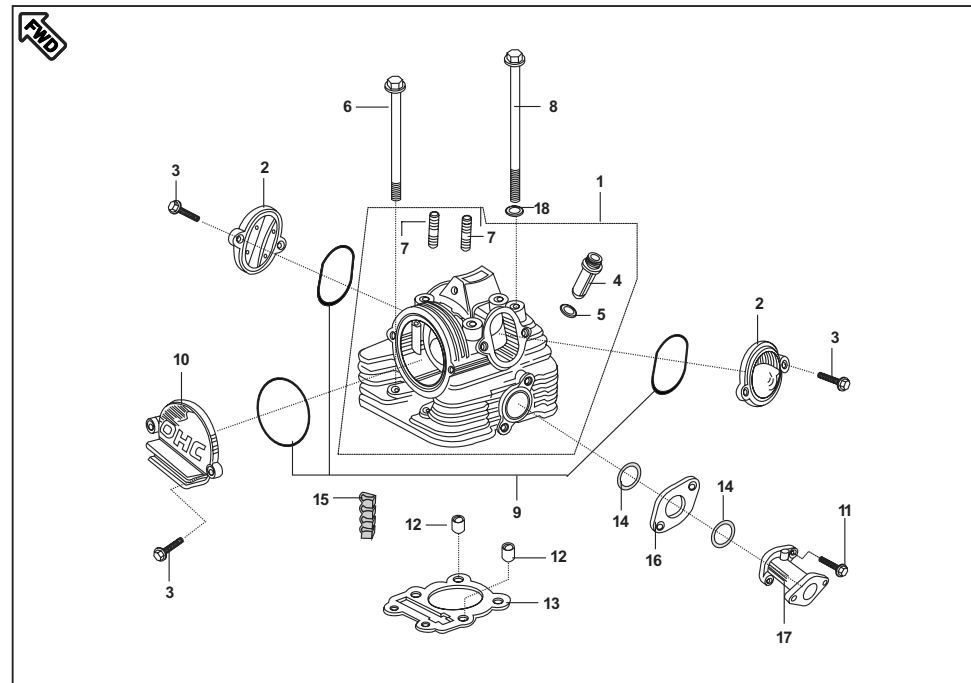


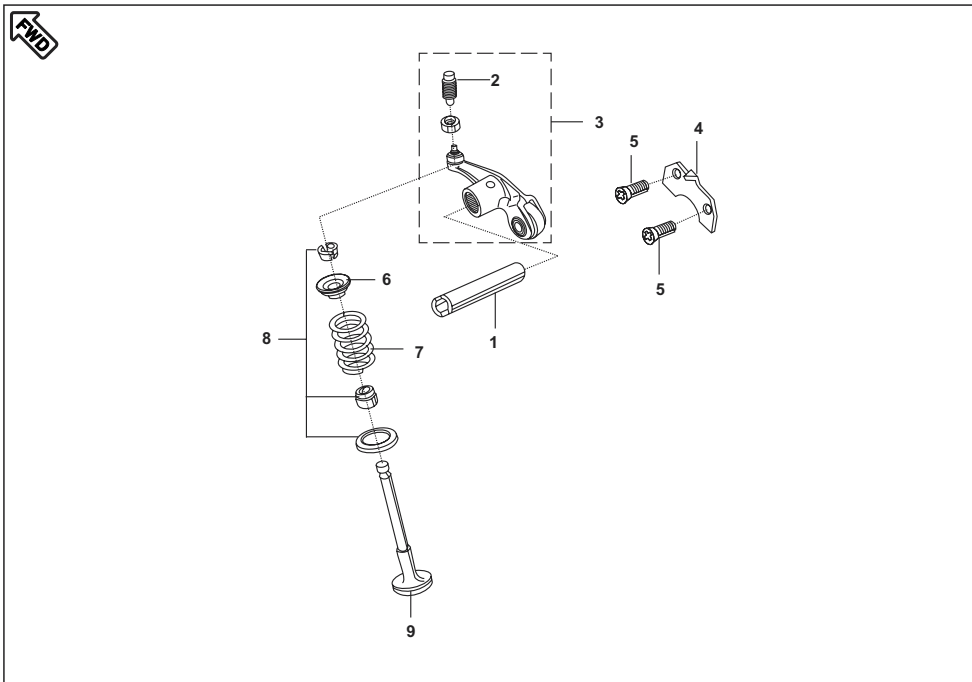
PLATE NO. : 46	PAGE NO.:
SEAT ASSEMBLY	60



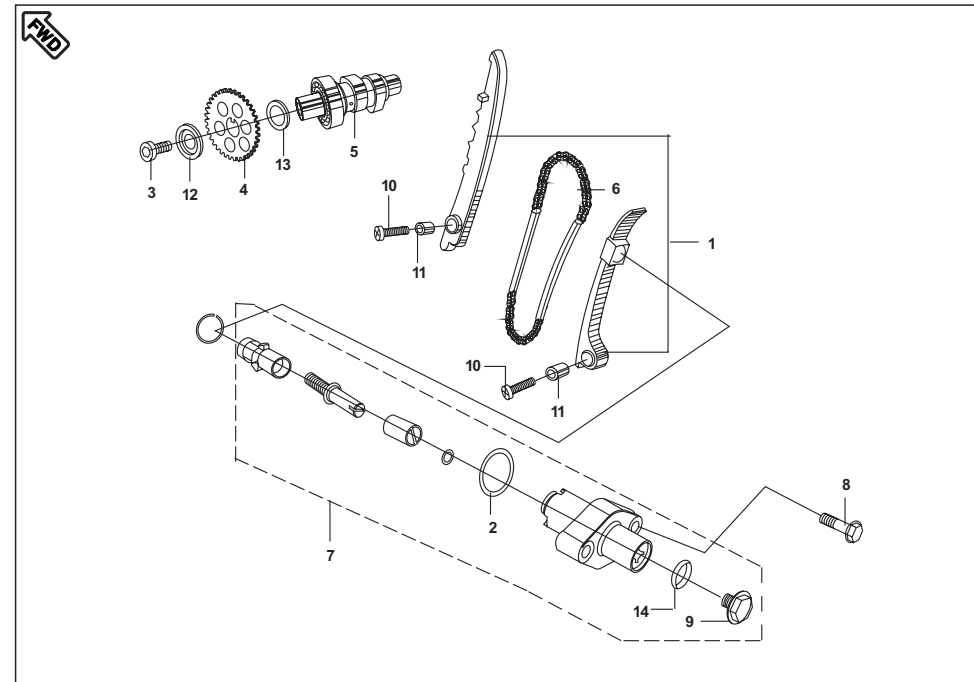



No.	Part No.	Description	Qty/ Veh.	Remarks
1	DU 7002 3N	Head Comp. Cylinder	1	Grey color
2	31 1010 06	Cap	2	
3	39 1673 04	Flanged bolt	6	
4	31 1010 08	Guide Valve	2	
5	39 1021 21	O Ring	2	
6	DD 1013 47	Bolt	2	
7	DD 1013 50	Stud	2	
8	DD 1013 49	Bolt	4	
9	36 DU10 01	O Ring Kit	1	Ref. Page No. 62
10	52 DU02 39	Kit Cover (OHC)	1	Grey Color
11	DD 1012 28	Bolt	2	N.S
12	39 1000 06	Hollow Dowel Pin	2	
13	36 DD40 02	Gasket head	1	Ref. Page No. 63
14	39 1017 21	O Ring	2	
15	DD 1014 81	Damper Cylinder Head	4	
16	31 1011 75	Insulator (Head Side)	1	
17	52 DU02 40	Pipe Intake	1	N.S
18	DD 1015 21	Plain washer	4	

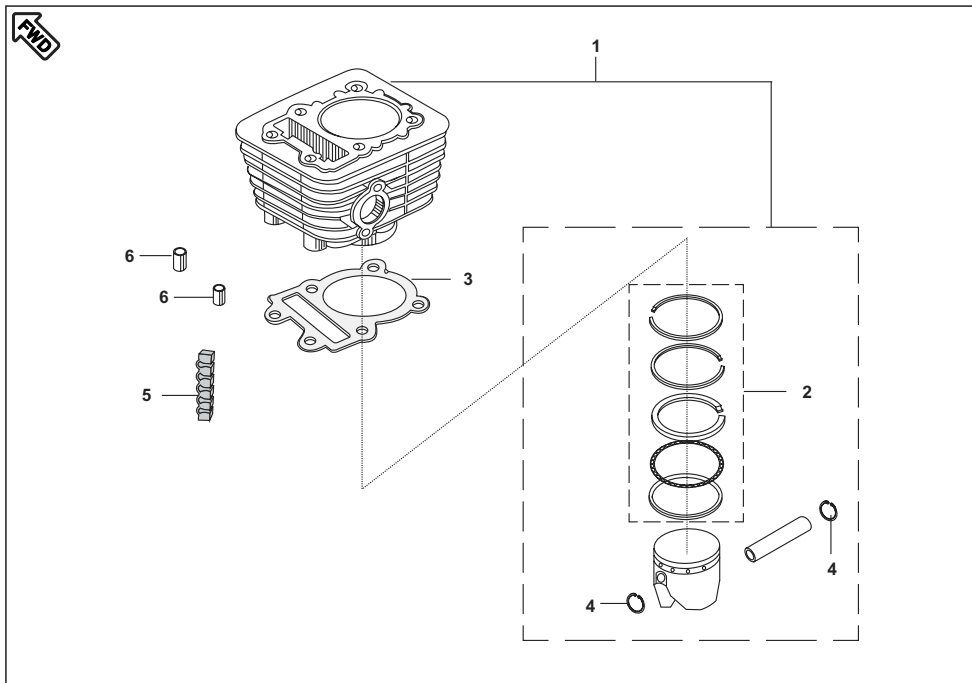




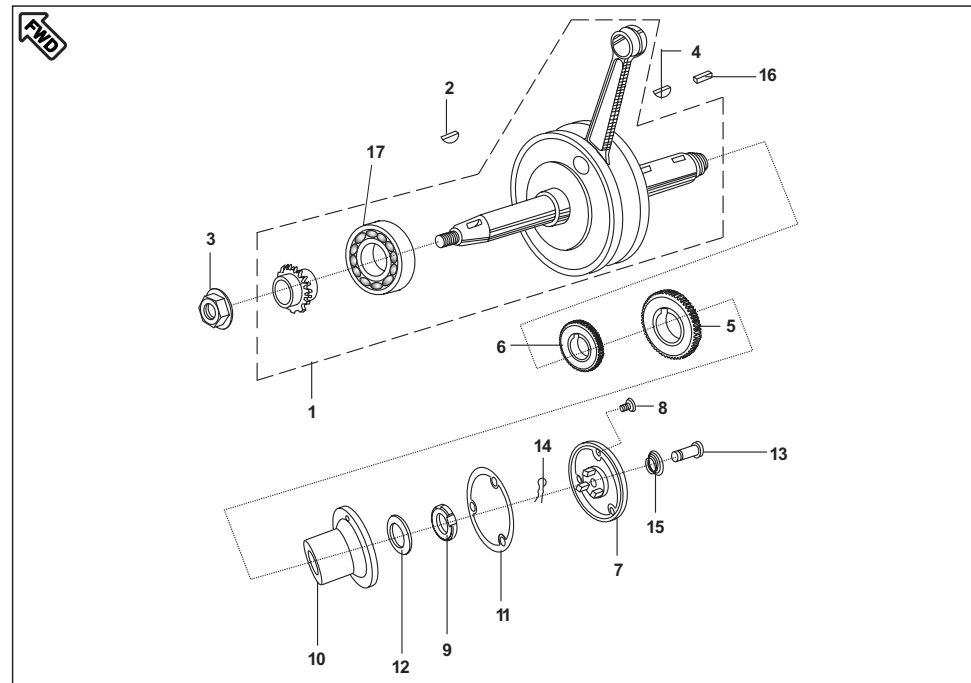
No.	Part No.	Description	Qty/ Veh.	Remarks
1	DU 1011 91	Shaft Rocker	2	
2	DF 1010 55	Screw	2	
3	DU 1011 90	Rocker arm assembly	2	
4	31 1011 04	Stopper	1	N.S
5	39 0702 01	Screw Pan Cros	2	
6	31 1010 18	Retainer Valve Spring	2	
7	DD 1014 40	Spring Stiffer	2	
8	36 3110 08	Collet Seal Oil Kit	1	Ref. Page No. 62
9	36 3110 28	Valve Kit	1	Ref. Page No. 62



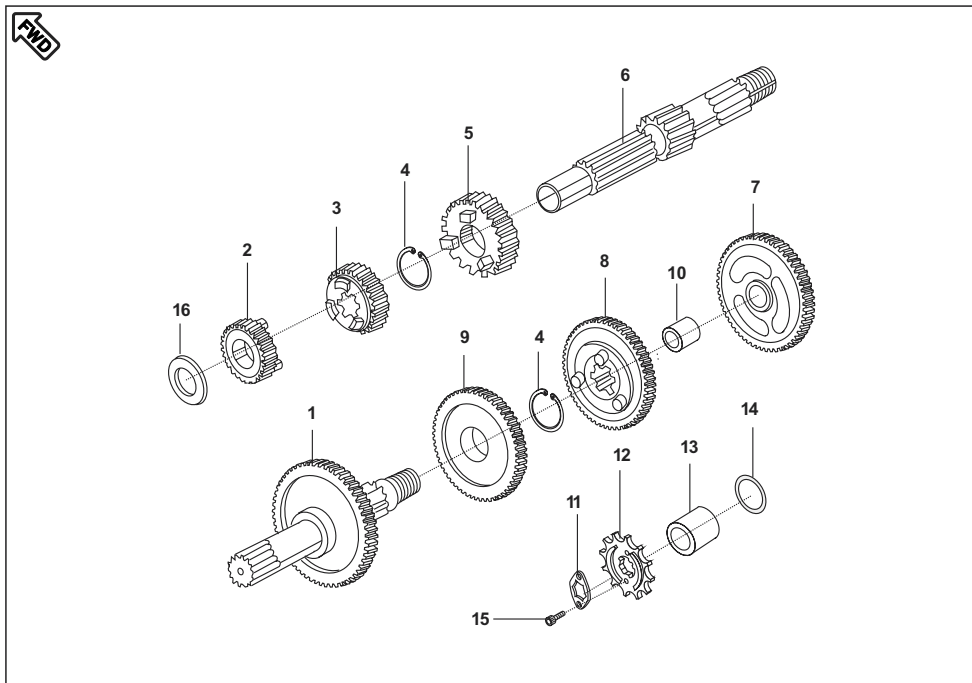
No.	Part No.	Description	Qty/ Veh.	Remarks
1	36 3110 06	Chain Guide Kit	1	Ref. Page No. 62
2	39 2040 21	O Ring	1	
3	DU 1012 25	Hex. Soc.HD Screw	1	
4	DU 1010 56	Sprocket (28 T)	1	
5	DZ 1010 75	Camshaft assly.	1	
6	31 1010 33	Chain	1	
7	DD 7002 3N	Tensioner Assly./O ring	1	
8	LA D000 26	Bolt Flanged Small	2	
9	DD 1010 62	Bolt	1	
10	39 0748 01	Screw Pan Cross	2	
11	39 0999 06	Hollow Dowel Pin	2	
12	DU 1010 66	Washer Spl. Cam Shaft	1	
13	DU 1010 67	Collar Cam	1	
14	39 1790 21	O Ring	1	



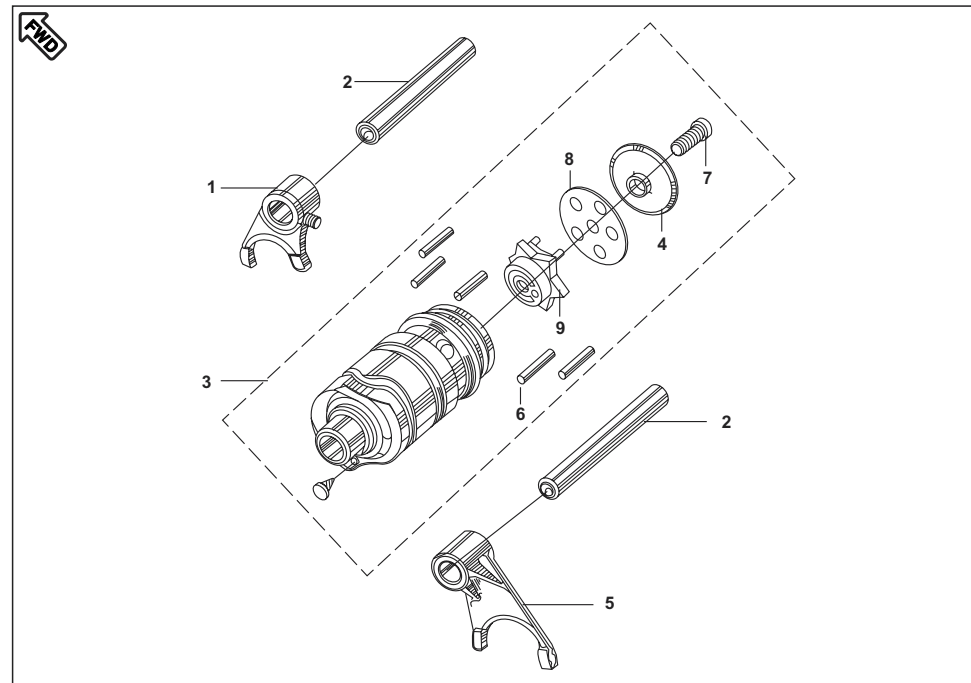
No.	Part No.	Description	Qty/ Veh.	Remarks
1	DU 1012 18	Cylinder Block Piston assly	1	Ref. Page No. 63
2	DD 1010 14	Piston ring set std.	1	
3	36 DD40 02	Gasket - Cyl. Block	1	
4	39 0985 17	Wire Clip	2	
5	DH 1014 30	Damper	3	
6	39 1000 06	Hollow dowel Pin	2	



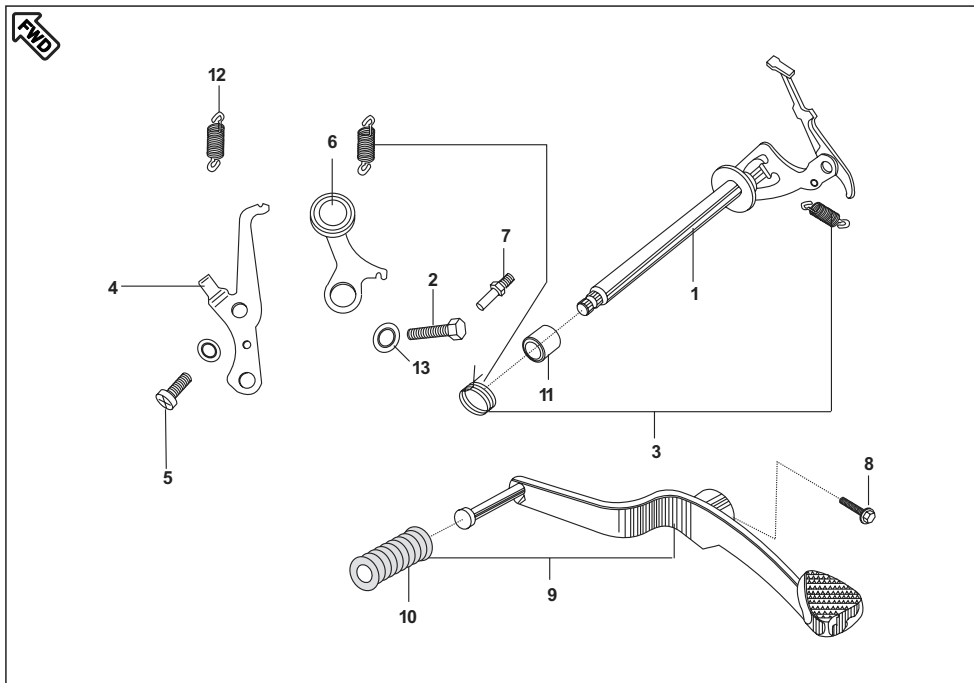
No.	Part No.	Description	Qty/ Veh.	Remarks
1	DU 1010 05	Crankshaft Assly.	1	
2	01 1006 10	Woodruff Key	1	
3	39 1055 15	Nut	1	
4	31 1011 73	Key Woodruff	1	
5	DX 1010 47	Gear Primary, Helical (23 T)	1	
6	FA 1013 34	Gear	1	
7	DU 1010 41	Cover	1	
8	39 1699 01	Countersunk Screw	3	
9	DH 1011 95	Nut	1	
10	DX 1010 53	Body Centrifugal Oil Filter(C.I.)	1	
11	DU 1010 10	Gasket Central Oil Filter	1	
12	39 2200 11	Washer	1	
13	DH 1010 66	Joint Oil Delivery	1	
14	39 2199 08	Pin Snap	1	
15	DH 1010 67	Spring Oil Delivery	1	
16	28 1011 07	Key Woodruff	1	
17	39 1864 20	Bearing	1	



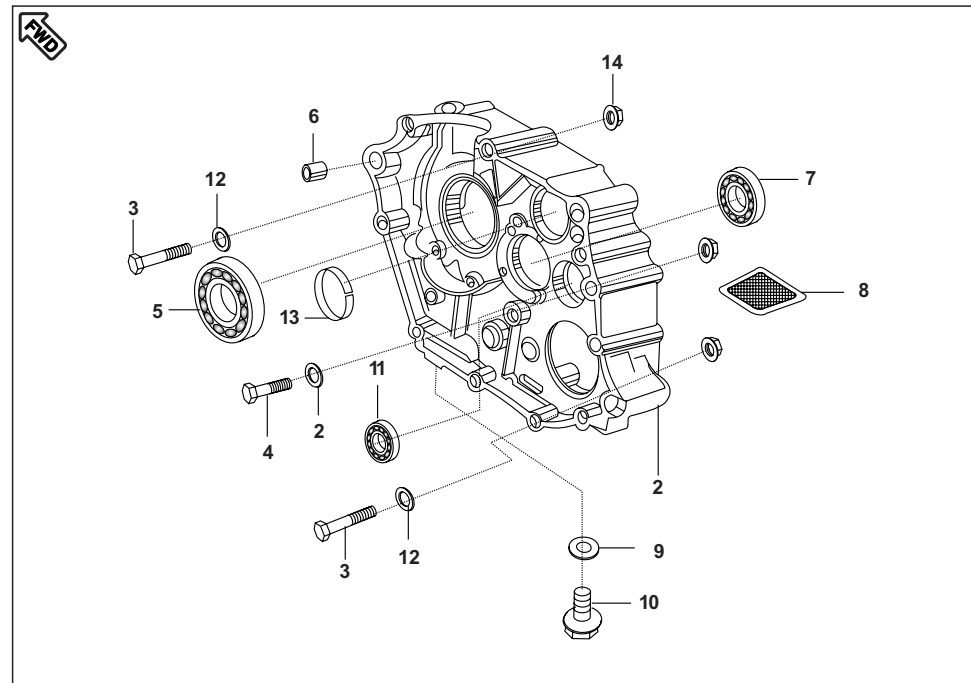
No.	Part No.	Description	Qty/ Veh.	Remarks
1	DX 1010 46	Shaft Transmission Output	1	
2	DX 1010 45	Gear 2nd Input	1	
3	DX 1010 48	Gear Transmission Spur(3rd)	1	
4	39 0987 17	Ring Snap (16 mm)	2	
5	DX 1010 49	Gear 4th Input	1	
6	DU 1010 11	Shaft Transmission Input	1	
7	DU 1010 80	Gear 1st Output	1	
8	DX 1010 51	Gear 4th Output	1	
9	DX 1010 50	Gear Transmission Spur(3rd)	1	
10	DD 1013 09	Bushing Floating	1	
11	DU 1012 13	Plate For Sprocket Output	1	
12	36 DZ00 02	Chain Sprocket Kit	1	Ref. Page No. 62
13	DP 1011 55	Collar (Sintered)	1	
14	DP 1011 68	'O' Ring	1	
15	39 1981 04	Bolt	2	
16	DD 1014 75	Washer Special	1	



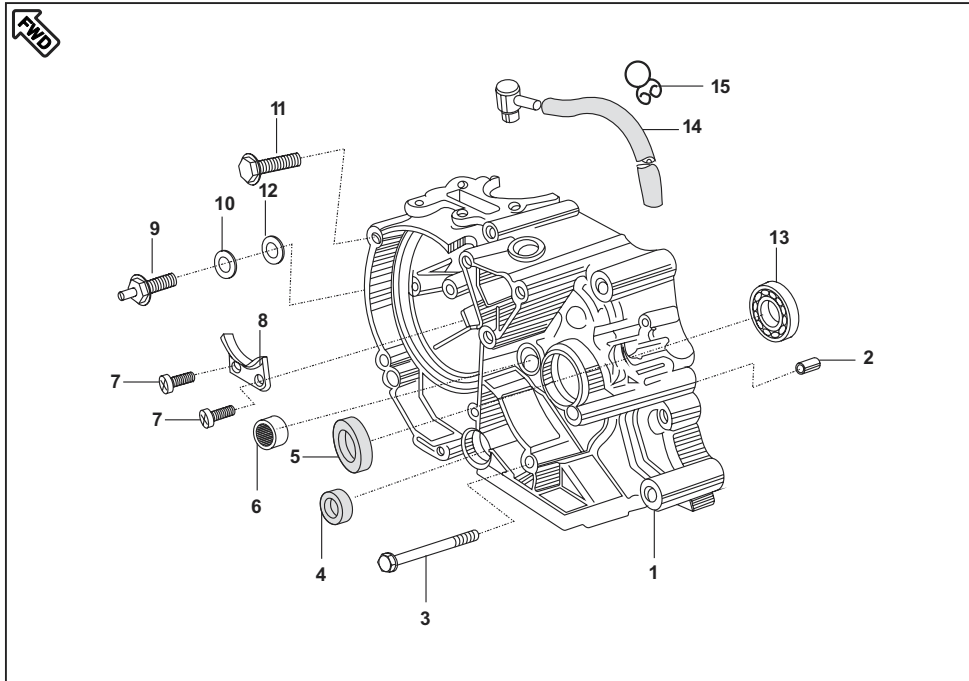
No.	Part No.	Description	Qty/ Veh.	Remarks
1	31 1011 91	Fork Shift	1	
2	31 1010 51	Rod shift	2	
3	DU 1010 81	Drum assly. change	1	
4	DM 1010 98	Cup Stopper	1	
5	31 1011 92	Fork shift	1	
6	39 0992 06	Pin Dowel	5	
7	DP 1013 40	Bolt Soc. Head	1	
8	DM 1010 99	Plate Spacer	1	
9	DU 1010 83	Cam Drum Change	1	



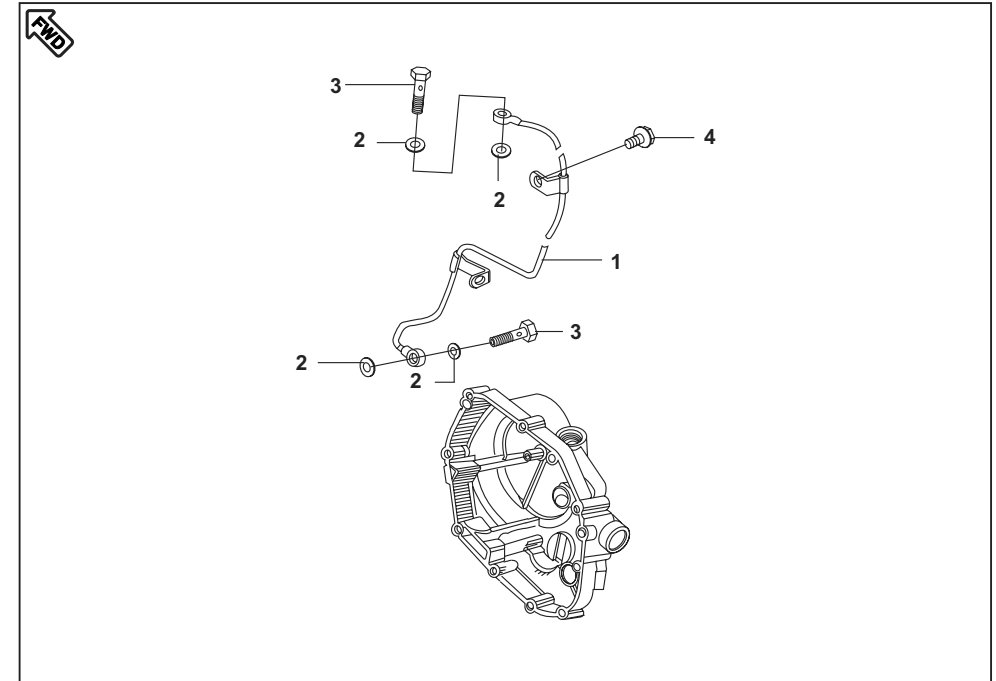
No.	Part No.	Description	Qty/ Veh.	Remarks
1	52 DU01 04	Lever Comp. Change Shaft	1	Ref. Page No. 62
2	39 1994 04	Bolt	1	
3	36 DU10 04	Gear Lever Spring Kit	1	
4	DU 1010 74	Plate Position	1	
5	39 0746 01	Screw Pan Cross	1	
6	DU 1010 73	Stopper Comp. Gear Shifter	1	
7	DD 1011 06	Bolt	1	
8	39 2474 04	Flanged bolt	1	
9	DU 1011 85	Lever Change / Damper	1	
10	31 1011 08	Damper	1	
11	31 1011 09	Collar	1	
12	39 2704 11	Washer Spring Steel	1	
13	DU 1010 92	Spacer	1	



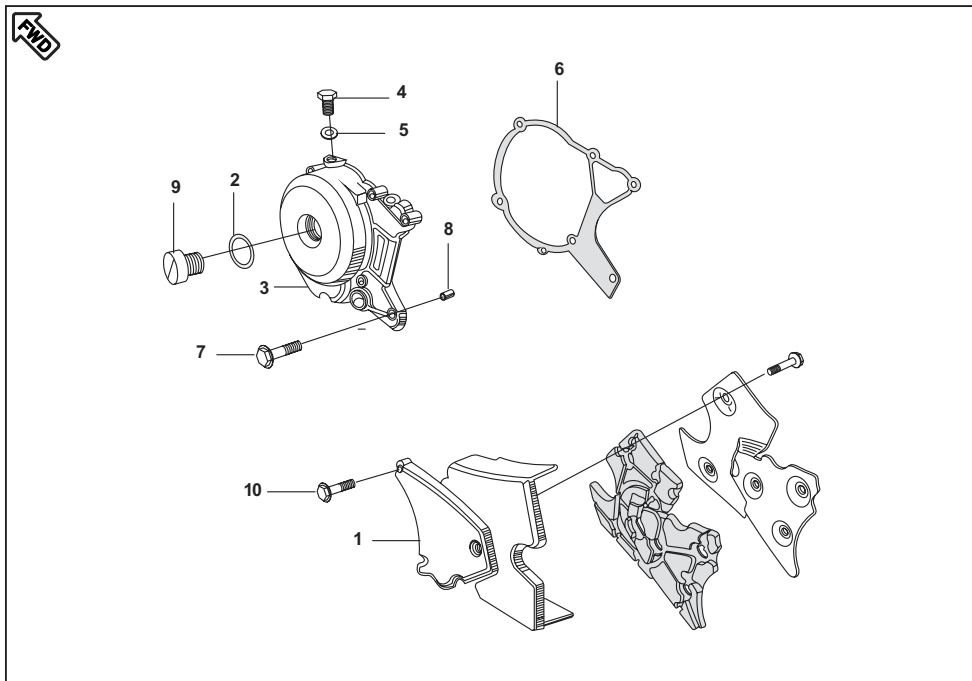
No.	Part No.	Description	Qty/ Veh.	Remarks
1	DU 1012 20	Engine Assembly	1	N.I.
2	DU 1010 75	Crankcase Comp. RH	1	Gray colour part N.S
	DU 7001 3N	Crankcase Comp. RH	1	
3	39 1068 04	Bolt	2	
4	39 1056 04	Bolt	1	
5	39 1864 20	Bearing Ball	1	
6	39 0999 06	Dowel Pin	5	
7	01 1701 11	Bearing	1	
8	DP 1014 52	Oil Strainer	1	
9	DG 1014 98	Gasket	1	
10	DU 1012 23	Plug (Drain)	1	
11	01 1701 10	Bearing	1	
12	39 0248 11	Plain Washer	3	
13	DU 1010 85	Bushing	1	
14	39 1225 15	Nut	3	



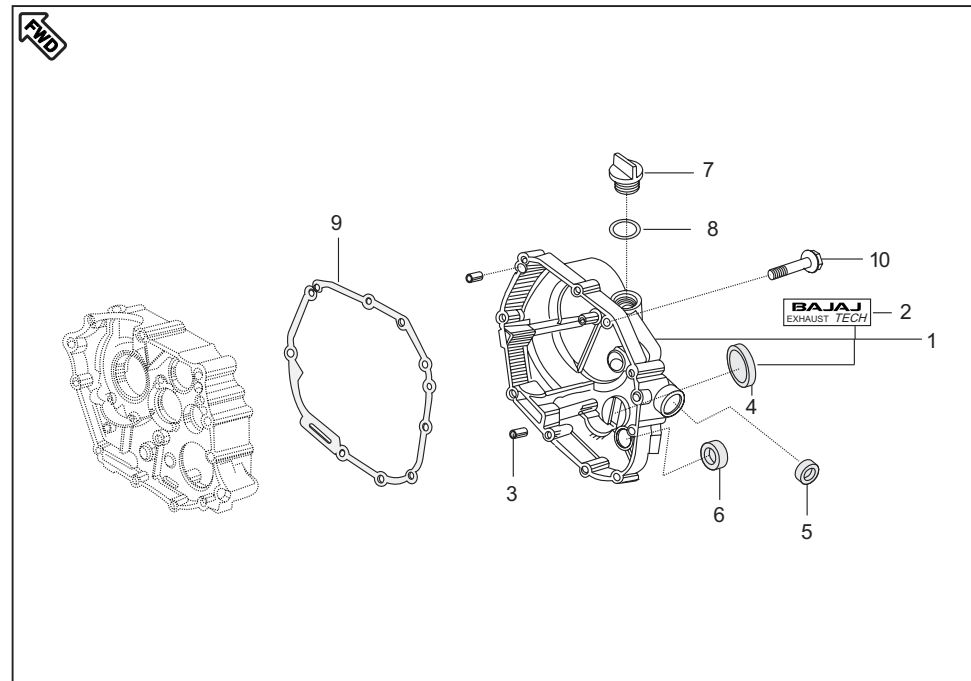
No.	Part No.	Description	Qty/ Veh.	Remarks
1	DD 7001 3N	Crankcase LH	1	(with breather)
	52 DZ00 19	Crankcase LH	1	New part
2	39 1050 06	Dowel Pin	1	
3	39 1066 04	Bolt Flanged Small	3	
4	39 1043 19	Oil Seal	1	
5	39 1080 19	Seal Oil	1	
6	39 1008 20	Bearing Needle	1	
7	39 0702 01	Screw Pan Cros	2	
8	31 1010 56	Guide	1	
9	31 2010 81	Switch Comp. (Neutral)	1	
10	39 0703 11	Plain Washer	1	N.S
11	39 1075 04	Bolt Flanged Small	7	
12	30 1010 15	Gasket	1	
13	01 1701 11	Ball Bearing	1	
14	DD 1012 19	Tube rubber	1	
15	30 1410 15	Clamp	2	



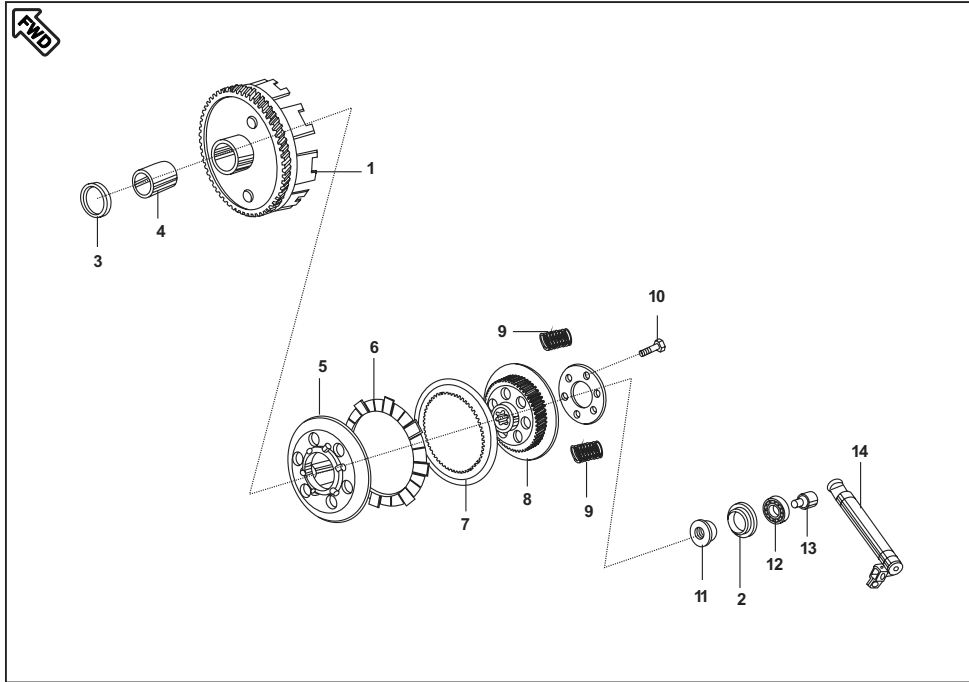
No.	Part No.	Description	Qty/ Veh.	Remarks
1	DU 1210 05	Pipe Oil	1	
2	DD 1015 17	Gasket	4	
3	39 1023 04	Bolt	2	
4	39 1062 04	Bolt flanged small	2	



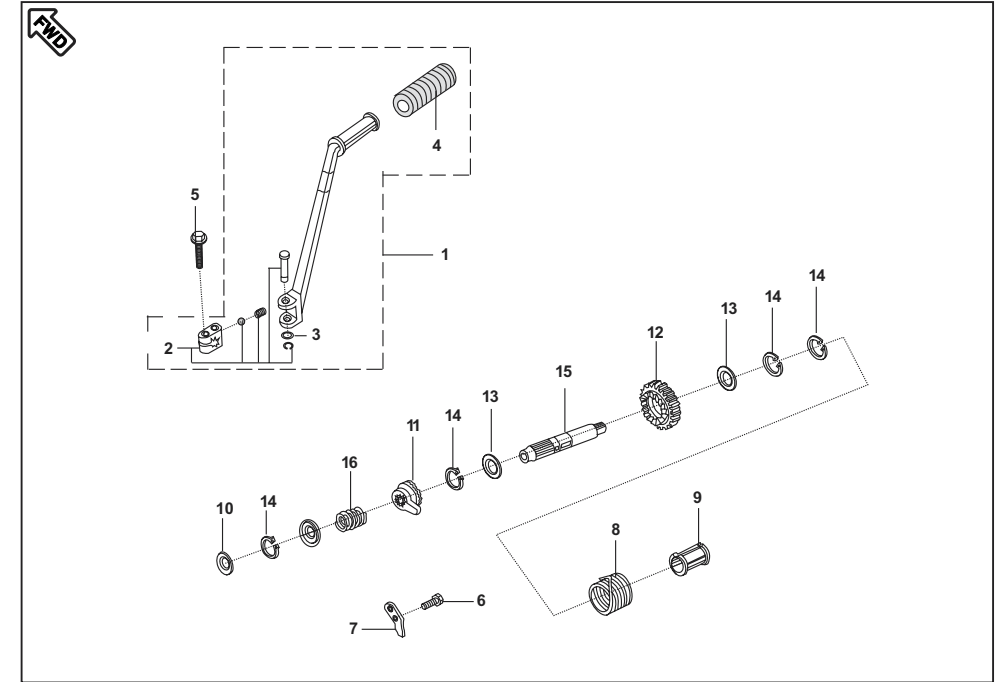
No.	Part No.	Description	Qty/ Veh.	Remarks
1	DZ 1010 01	Cover Chain (Engine)	1	
2	39 1019 21	Ring O	1	
3	31 1012 95	Cover Generator	1	
4	52 DU 02 49	Cover Generator	1	Grey Color
4	31 1010 60	Plug	1	
5	31 1011 13	Gasket	1	
6	DM 1011 39	Gasket - Generator Cover	1	
7	39 1074 04	Bolt Flanged Small	5	
8	39 0999 06	Pin	2	
9	31 1010 62	Bolt	1	
10	39 2147 04	Bolt Flanged Small	3	



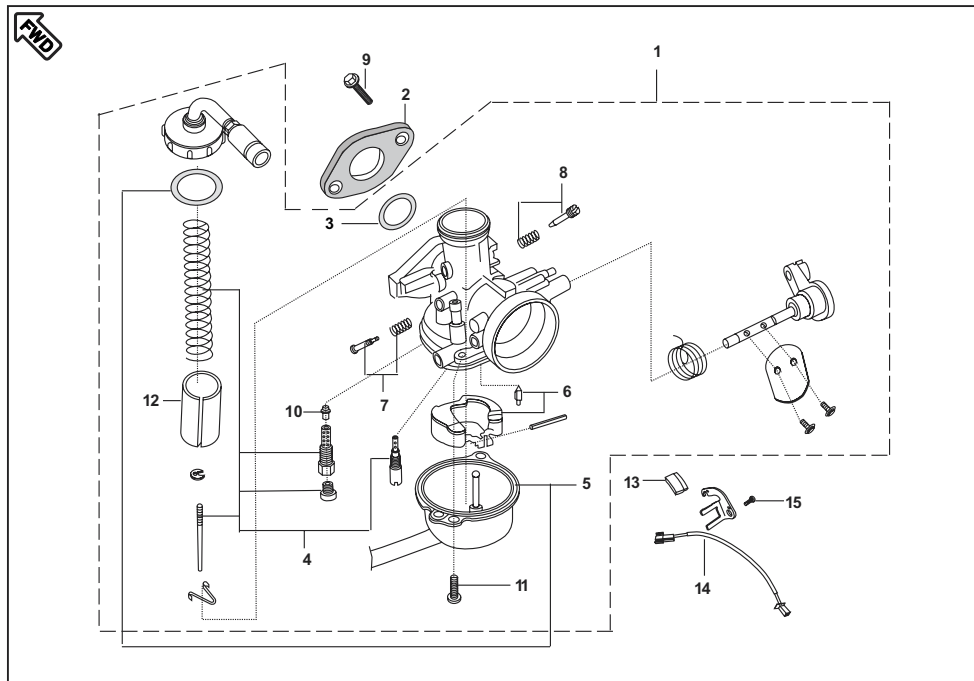
No.	Part No.	Description	Qty/ Veh.	Remarks
1	DZ 1010 47	Clutch Cover with PTF Bush	1	
2	DZ 1010 46	Label clutch cover "Bajaj"	1	N.S
3	39 0999 06	Dowel Pin	2	
4	31 1010 67	Gauge	1	
5	39 1041 19	Seal oil	1	
6	30 1011 42	Seal oil	1	
7	DD 1013 25	Cap oil filler	1	
8	39 2134 21	O ring	1	
9	DM 1011 40	Gasket (Clutch cover)	1	
10	39 1075 04	Bolt flanged small	10	



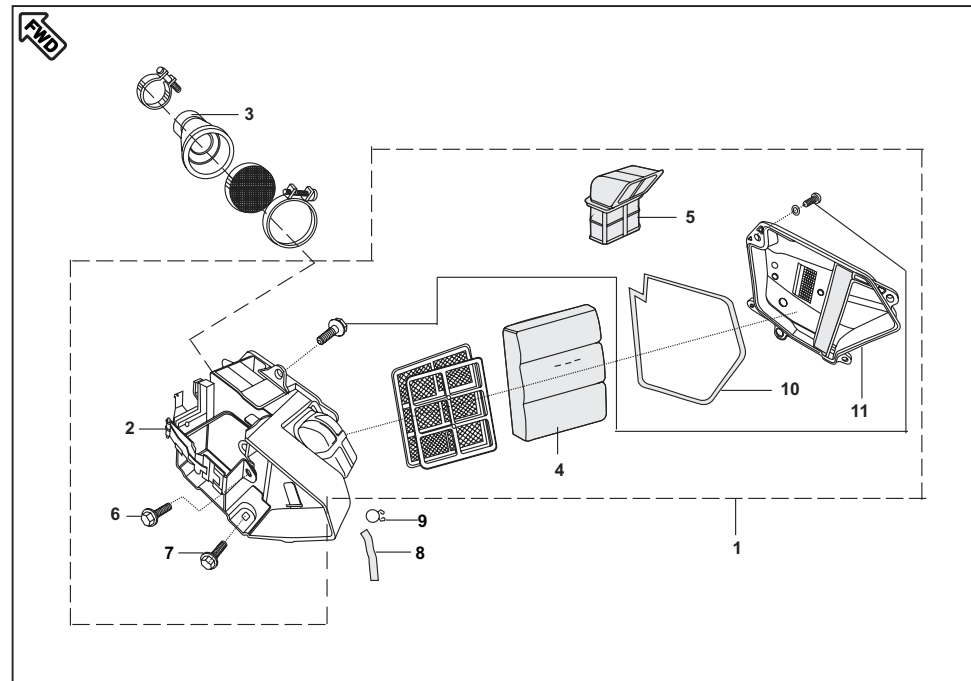
No.	Part No.	Description	Qty/ Veh.	Remarks
1	DX 1010 54	Housing Comp. clutch	1	
2	28 1011 95	Holder	1	
3	39 2600 11	Plain Washer	2	
4	DU 1011 09	Collar	1	
5	DD 1014 92	Wheel Clutch	1	
6	36 DD40 08	Kit Plate Friction	1	
7	30 1010 96	Plate Clutch	4	
8	DD 1014 93	Hub Clutch	1	
9	28 1012 14	Spring	6	
10	39 0980 04	Hex. Bolt	6	
11	39 1053 15	Hex.Nut/Flange	1	
12	39 2403 20	Bearing	1	
13	31 1011 48	Rod Push	1	
14	DX 1010 35	Lever Assly. Complete	1	



No.	Part No.	Description	Qty/ Veh.	Remarks
1	DU 1010 50	Lever Assly Kick Comp.	1	Complete Assly.
2	36 DU10 07	Boss Kick Set	1	Ref. Page No. 62
3	22 1502 41	Plain Washer	1	
4	30 1011 54	Bush (Damper)	1	
5	DP 1510 18	Flanged bolt	1	
6	DD 1012 64	Screw Pan Cross	2	N.S
7	DD 1012 54	Guide Kick	1	
8	31 1010 41	Spring	1	
9	31 1010 40	Guide	1	
10	39 0993 11	Plain Washer	1	
11	31 1010 38	Ratchet	1	
12	DU 1010 38	Gear Spur Kick Start	1	
13	39 0995 11	Plain Washer	2	
14	39 0738 17	External Circlip Type C	4	
15	DU 1010 45	Shaft Kick	1	
16	31 1010 39	Coil Spring	1	

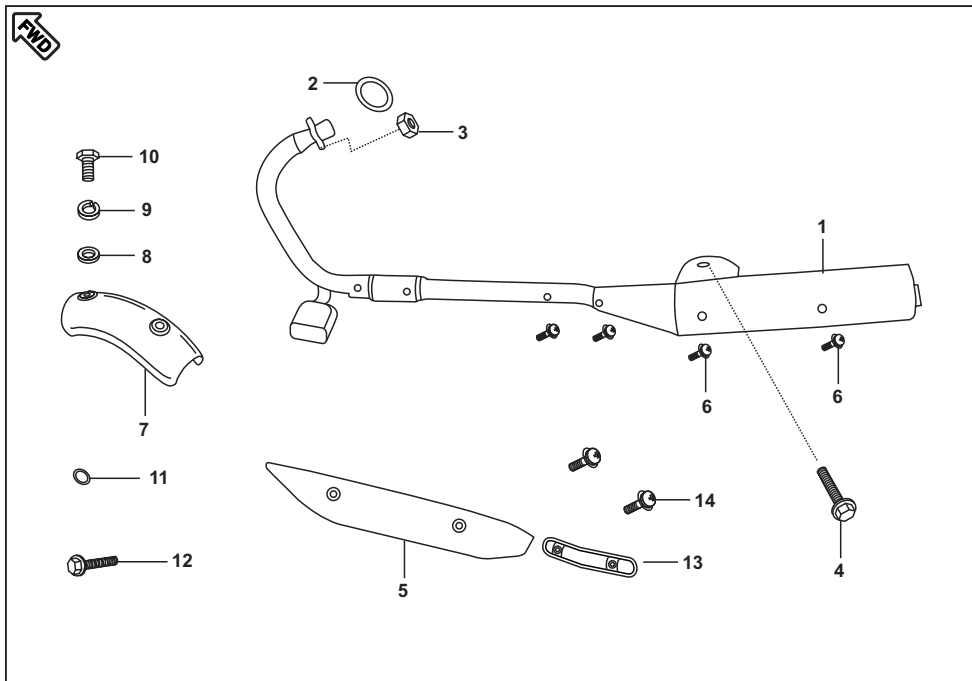


No.	Part No.	Description	Qty/ Veh.	Remarks
1	DZ 1210 06	Carburettor Assly.	1	
2	DU 1010 57	Insulator (Carburettor / Intake)	1	
3	39 1283 21	O ring	1	
4	DZ 1210 18	Carburettor Holder / Jet Kit	1	Ref. Page No. 63
5	36 DU12 04	Gasket O ring Kit for Carb.	1	Ref. Page No. 62
6	36 DU12 05	Carburettor Float pin Kit	1	Ref. Page No. 62
7	36 DU12 02	Idling Screw kit	1	Ref. Page No. 62
8	DZ 1210 15	Air Control Screw Kit	1	Ref. Page No. 62
9	39 1674 04	Flanged bolt	2	For mounting Carburettor
10	DZ 1210 13	Seat for Jet Needle	1	N.S
11	DD 1211 71	Screw with washer	2	
12	DZ 1210 11	Valve throttle	1	
13	DH 1211 01	Magnet Assly.	1	} TPS Assly. Parts TPS Mounting
14	DH 1211 02	Reed Switch Assly.	1	
15	39 1062 04	Bolt Flanged Small	1	
16	DD 1110 46	TPS Assly	1	

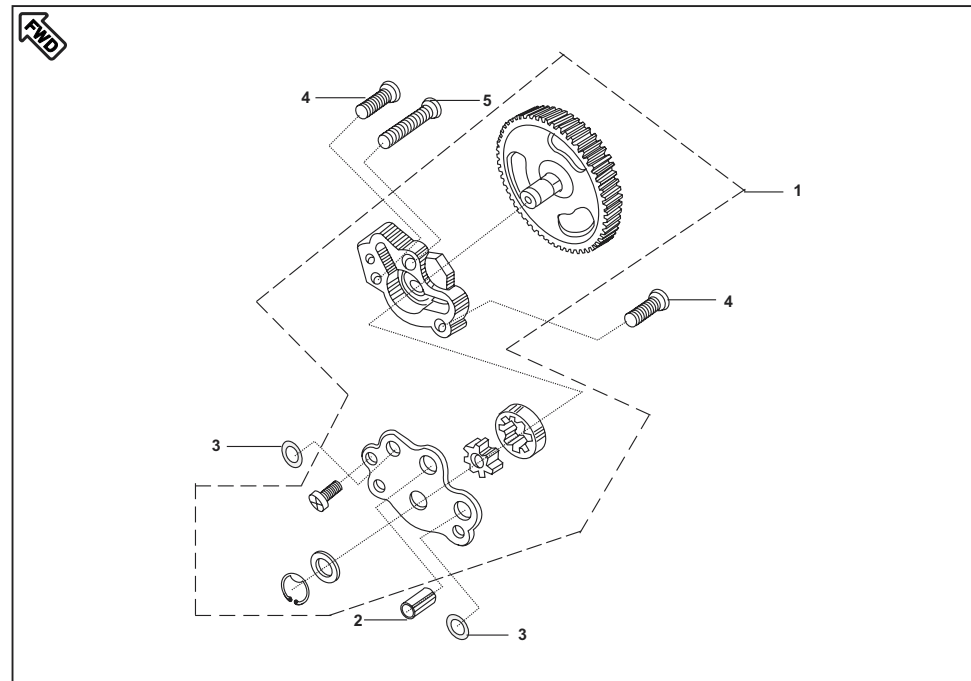


No.	Part No.	Description	Qty/ Veh.	Remarks
1	52 DZ00 07	Filter assly air	1	
2	DG 1611 66	Screw	1	
3	DZ 1210 03	Duct (A/F to Carburettor)	1	
4	DP 1210 34	Element air filter	1	
5	DP 1210 07	Duct (Inlet)	1	N.S
6	39 1680 04	Flanged bolt (Battery)	1	
7	DP 1610 94	Bold stoped	2	
8	DP 1210 22	Tube	1	N.S
9	DG 1210 15	Clamp	1	N.S
10	DM 1210 07	O ring	1	
11	DM 1210 04	Cap	1	

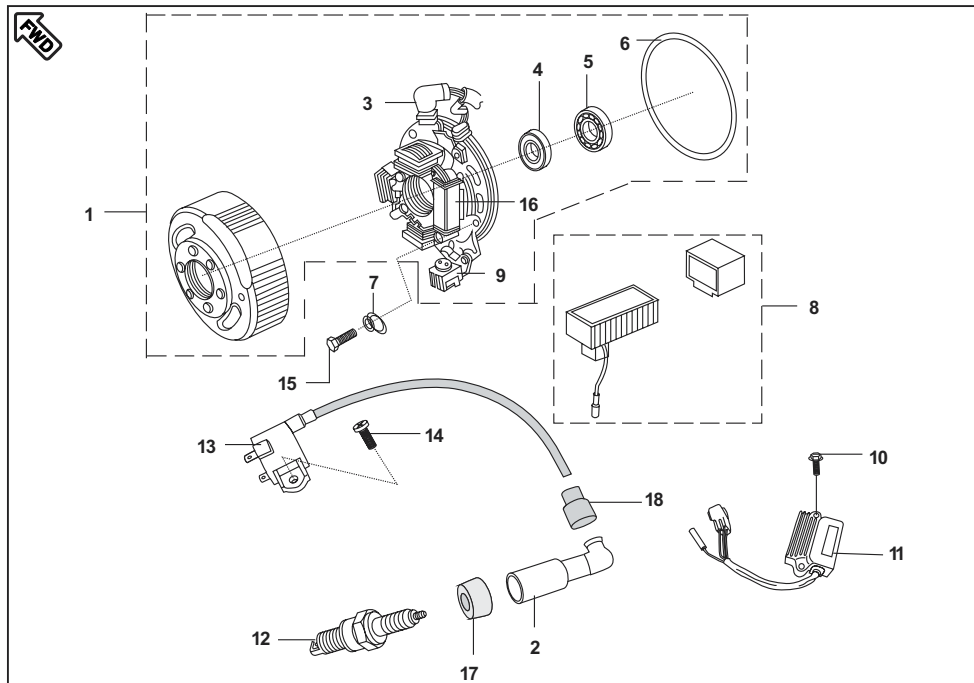




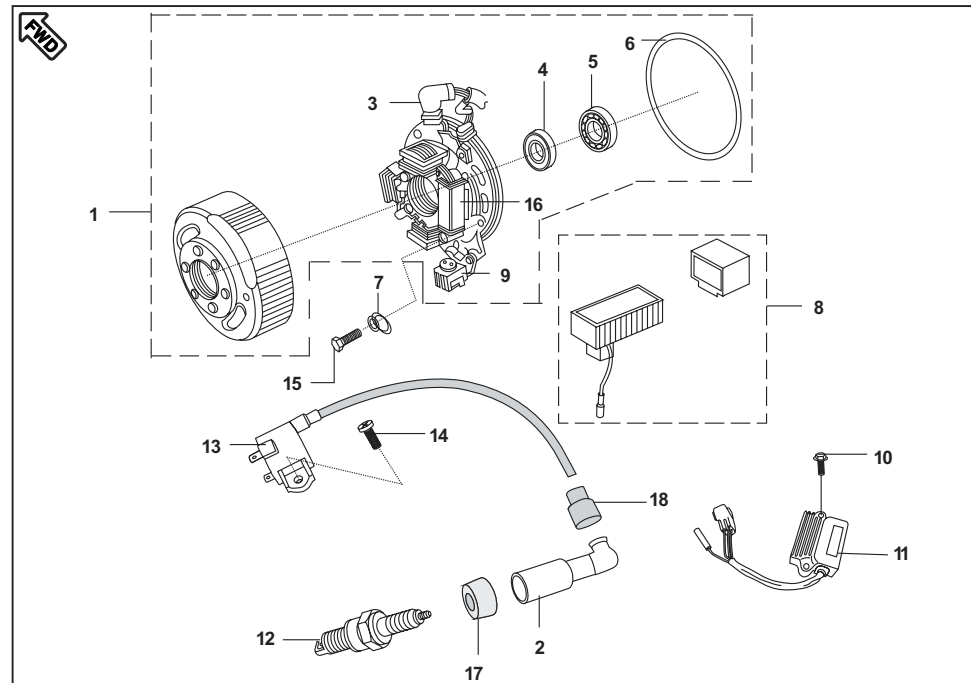
No.	Part No.	Description	Qty/ Veh.	Remarks
1	DZ 1010 53	Silencer Assly. without cat	1	
	DZ 1010 51	Silencer Assly. W/O Shield	1	
2	31 1010 14	Gasket	1	
3	DU 1012 06	Flange Bolt	1	
4	DD 1013 66	Flange Bolt	1	
5	DZ 1010 31	Cover muffler rear	1	
6	DH 1016 07	Truss Screw	2	
7	DZ 1010 44	Shield Exhaust Tube	1	
8	39 0197 11	Washer	1	
9	39 0790 12	Spring Washer	2	
10	39 2345 01	Hex Screw	1	N.S
11	CM 1011 29	Washer	1	N.S
12	CM 1011 28	Hex Bolt	1	N.S
13	DZ 1010 45	Wire Guard	1	
14	39 2675 04	Screw	2	



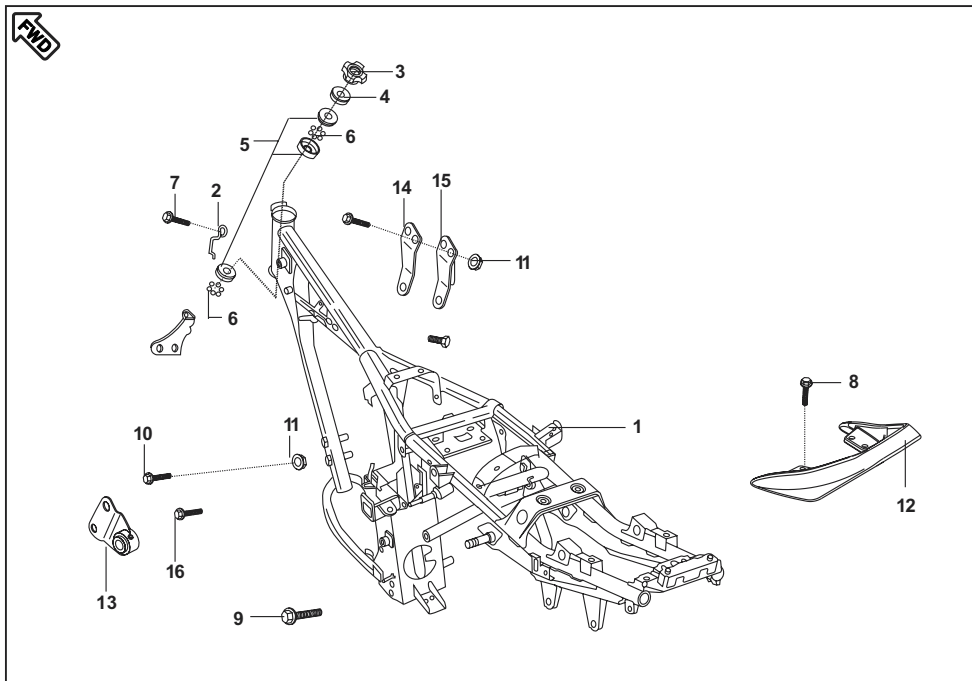
No.	Part No.	Description	Qty/ Veh.	Remarks
1	DF 1210 03	Pump Assly. Oil	1	
2	39 0999 06	Pin dowel	1	
3	39 1013 21	Ring O	2	
4	39 1078 01	Screw Pan Cros	2	
5	39 0753 01	Screw Pan Cros	1	



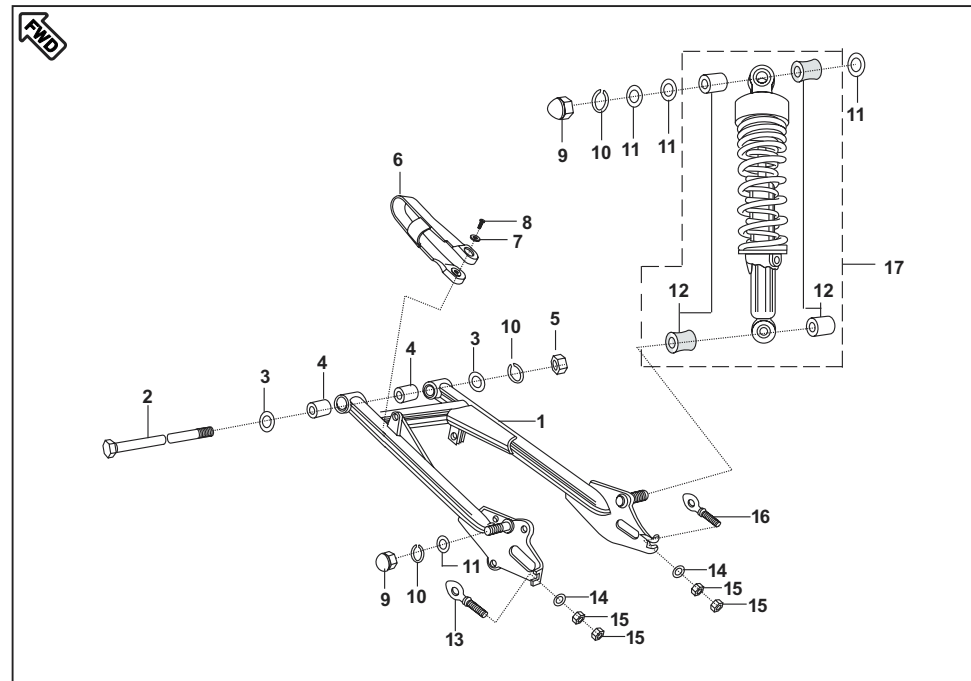
No.	Part No.	Description	Qty/ Veh.	Remarks
1	DF 1110 15	Magneto assly/ Brg. & Oil Seal	1	
2	DD 1110 48	Cap Spark plug (R)	1	
3	DF 1110 20	Stator Assly	1	
4	39 1042 19	Seal Oil (HTA make)	1	
5	39 1003 20	Bearing ball	1	
6	39 1028 21	Ring O	1	
7	39 1659 11	Plain washer	3	
8	DZ 1110 02	C.D.I.	1	
8A	DZ 1110 03	T.P.S. Assly	1	N.I.
9	31 1110 58	Pulsar Coil	1	
10	39 1553 04	Flanged Bolt	2	
11	DU 2010 62	Regulator/Rectifier (R/R) unit	1	
12	DD 1110 18	Plug Spark (P-RZ9HC)	1	
13	DF 1110 40	H. T. Coil	1	
14	39 0745 01	Screw pan cross	1	
15	DD 1013 18	Bolt	3	



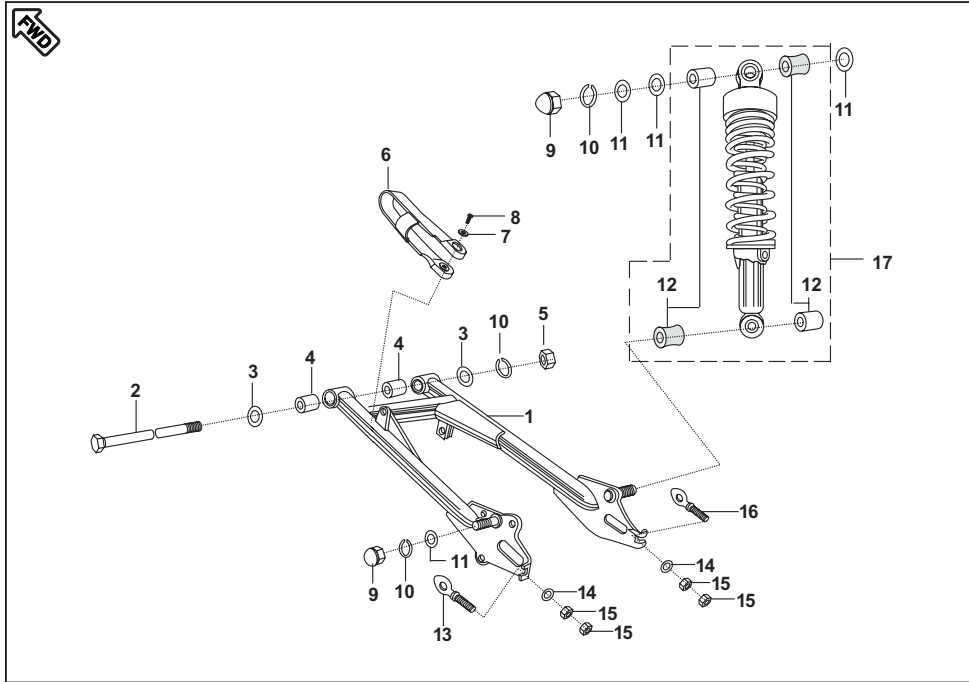
No.	Part No.	Description	Qty/ Veh.	Remarks
16	31 1110 56	Exciter coil	1	
17	DD 1110 11	Grommet Spark plug Cap	1	
18	DD 1110 12	Grommet H.T.Cable	1	



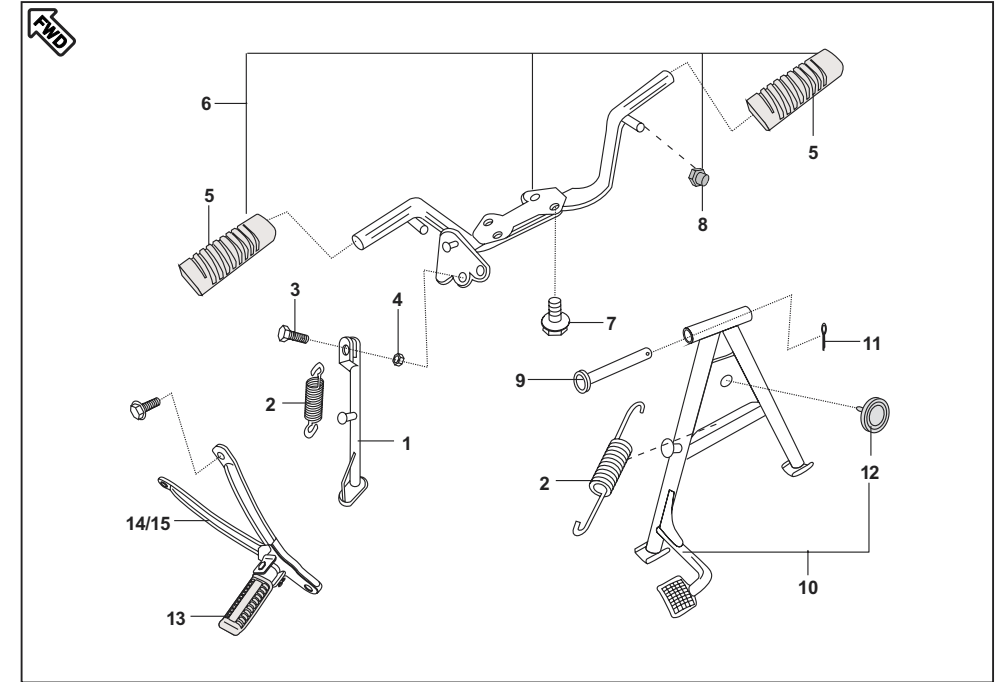
No.	Part No.	Description	Qty/ Veh.	Remarks
1	DZ 1610 54	Frame Comp./Brg.races	1	
2	31 1910 02	Clamp	1	
3	DF 1810 90	Nut	1	
4	DF 1810 52	Cap Steering	1	
5	36 DS18 02	Bearing cone kit	1	Ref. Page No. 62
6	30 18 1006	Ball Steel	46	
7	39 1551 04	Flanged Bolt	3	
8	39 2222 04	Flange Bolt	1	
9	39 2702 04	Hex. Bolt	1	Engine Mounting Rubber
10	59 0400 18	Flanged Bolt	1	
11	59 2479 15	Flange Nut	2	
12	JK 2314 00	Grip frame(die Cast)	1	Black
	DP 2310 01	Grip frame	1	Silver
13	DU 1610 93	Bracket Engine Front/Bush LH	1	
	DU 1610 94	Bracket Engine Front/Bush RH	1	
14	DD 1610 53	Bracket Engine Upper LH	1	
15	DF 1611 68	Bracket Engine Upper RH	1	
16	59 0400 17	Flange Bolt	1	



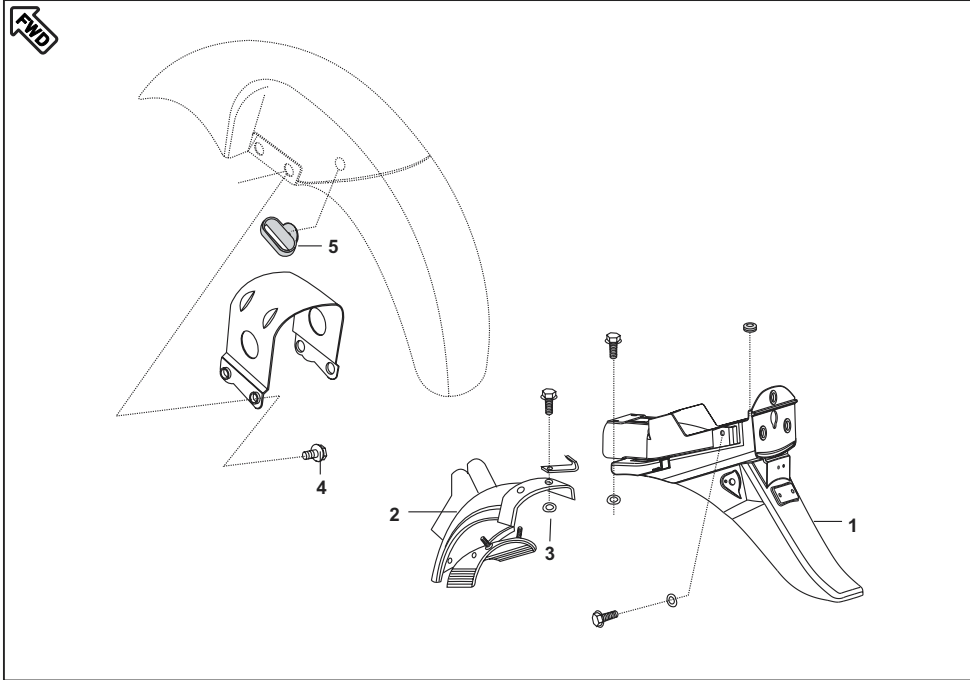
No.	Part No.	Description	Qty/ Veh.	Remarks
1	DZ 1710 14	Arm Comp. Swing / Bush	1	
	DZ 1710 15	Arm Comp. Swing / Bush	1	For Alloy Wheel 130mm drum
2	DZ 1710 07	Shaft Swing Arm	1	
	JK 1220 06	Shaft Swing Arm	1	* Black color scheme
3	39 0781 11	Plain Washer	4	
	JB 1310 18	Plain Washer	4	* Black color scheme
4	DP 1710 06	Bushing Rubber	2	
5	39 0939 15	Nut Hex./ flange	1	
	JK 1220 08	Nut Hex./ flange	1	* Black color scheme
6	DZ 1710 09	Damper for Swing arm	1	
7	39 0454 11	Plain washer	2	
8	39 0553 02	Self tapping Screw	2	
9	39 0712 15	Domed Cap Nut	4	
	JK 1220 07	Domed Cap Nut	4	* Black color scheme
10	39 0737 12	Washer Spring	4	
	39 0737 12	Washer Spring	4	* Black color scheme
11	39 0714 11	Washer Plain	8	
	JB 1220 11	Washer Plain	8	* Black color scheme
12	36 DF17 01	Rubber Inner Bush kit	1	Ref. Page No. 62
13	52 DF00 21	Adjuster Chain (RH)	1	
	30 1710 24	Adjuster Chain (RH)	1	For Alloy Wheel 130mm drum



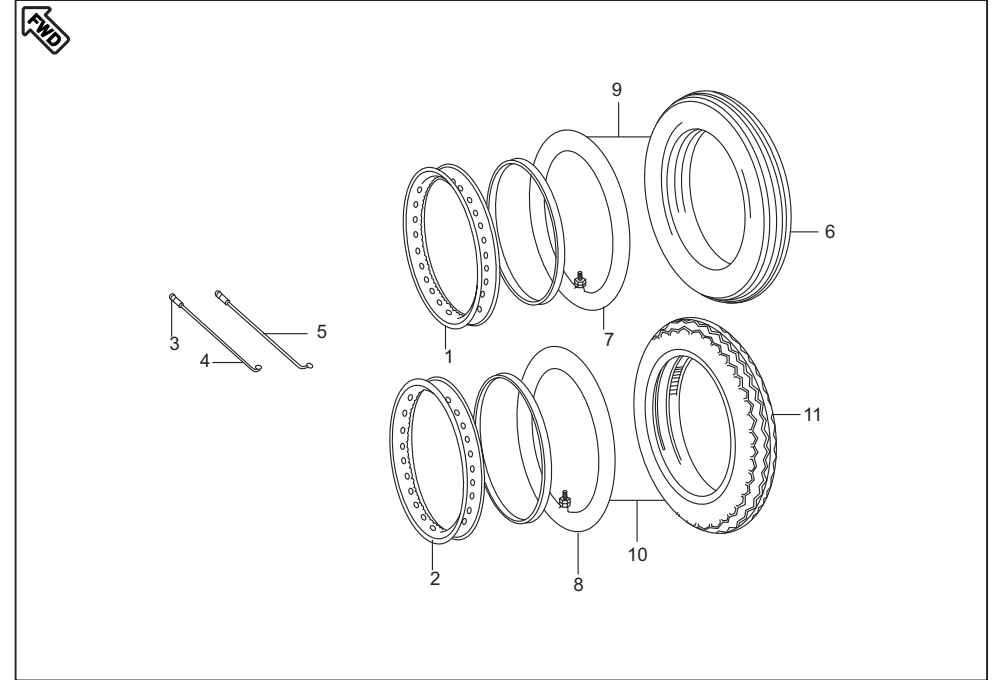
No.	Part No.	Description	Qty/ Veh.	Remarks
14	39 0711 11	Washer Plain	2	
	39 1309 11	Washer Plain	2	* Black color scheme
15	39 0292 15	Hex Nut	4	
16	52 DF00 20	Adjuster Chain (LH)	1	
	30 1710 23	Adjuster Chain (LH)	1	For Alloy Wheel 130mm drum
17	DM 1710 25	Rear Shock Absorber	2	
	DZ 1710 16	Rear Shock Absorber	2	



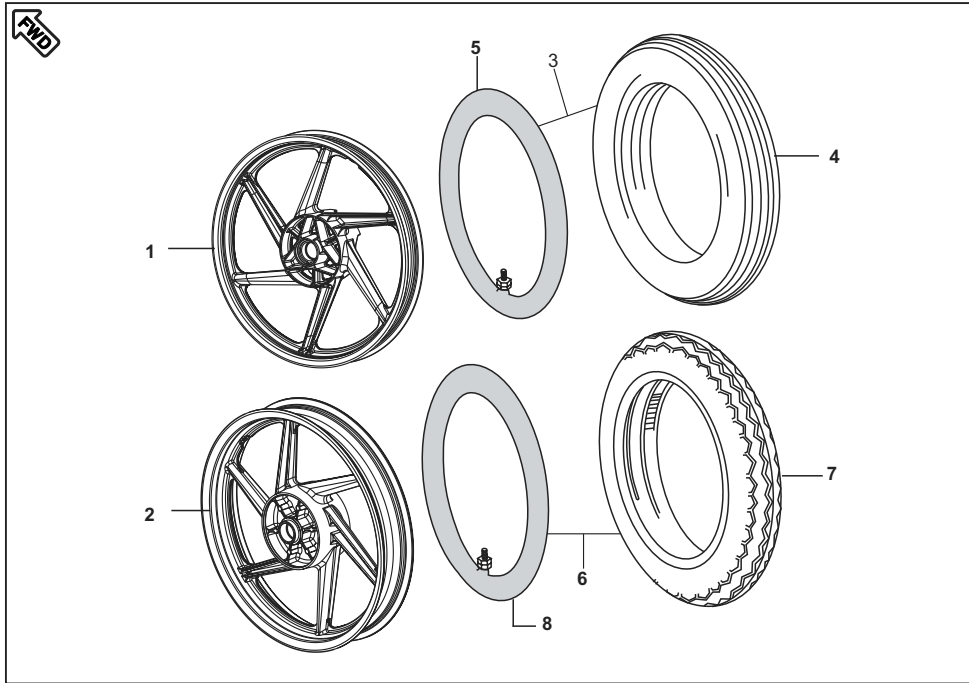
No.	Part No.	Description	Qty/ Veh.	Remarks
1	DL 1610 48	Stand Side	1	
2	30 1611 58	Spring	2	
3	DF 1611 02	Bolt	1	
4	39 0422 15	Nyloc Nut	1	
5	DF 1614 13	Damper (PVC)	2	
6	DF 1614 25	Holder Step/Damper/Kick Stopper	1	
7	39 2481 04	Flanged Bolt	4	
8	DH 1611 94	Kick Stopper	1	
9	30 1611 57	Shaft Stand	1	
10	DU 1610 32	Stand Centre/Damper	1	
11	39 0787 08	Pin Cotter	1	
12	DG 1611 24	Damper	1	
13	DX 1610 56	Rubber Pillion Step (PVC)	2	
14	DZ 1610 33	Stay LH / PVC Damper	1	
15	DZ 1610 34	Stay RH / PVC Damper	1	
16	39 2481 04	Hex bolt Flanged	2	N.I.
17	DH 1611 78	Spacer Main Step	2	N.I.
18	22 1504 51	Bolts- Cylinder Securing	1	N.I.



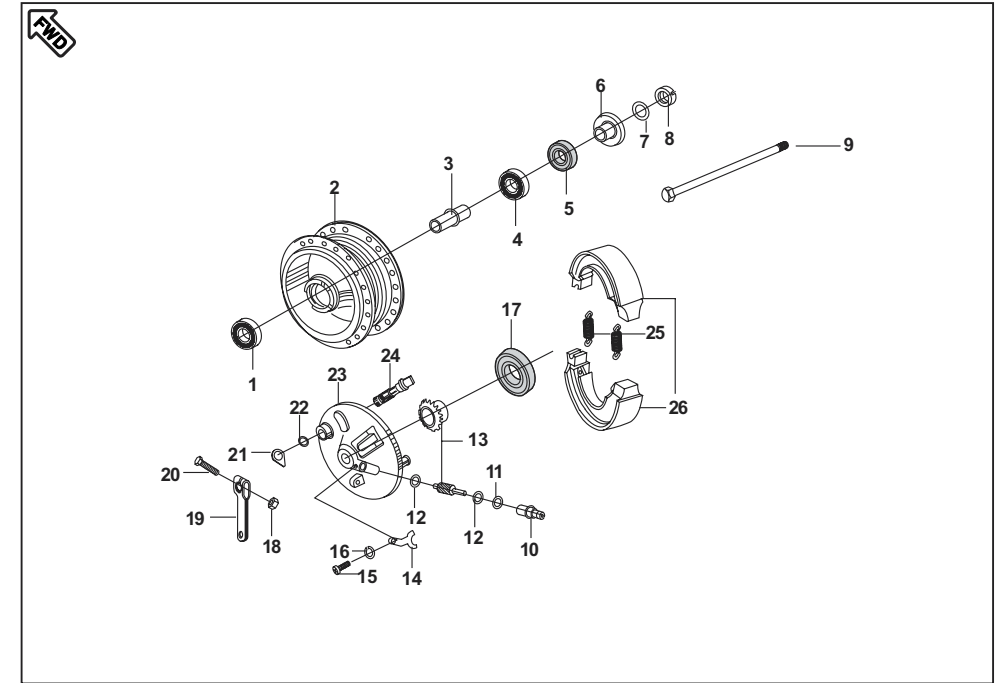
No.	Part No.	Description	Qty/ Veh.	Remarks
1	DP 1610 82	Fender Rear	1	New Part
2	DP 1610 06	Fender Rear Front	1	
3	DP 1610 94	Bolt Stepped	1	
4	39 2222 04	Flanged Bolt	4	
5	DJ 1610 68 DS 1611 25	Cable Guide Cable Guide	1 1	



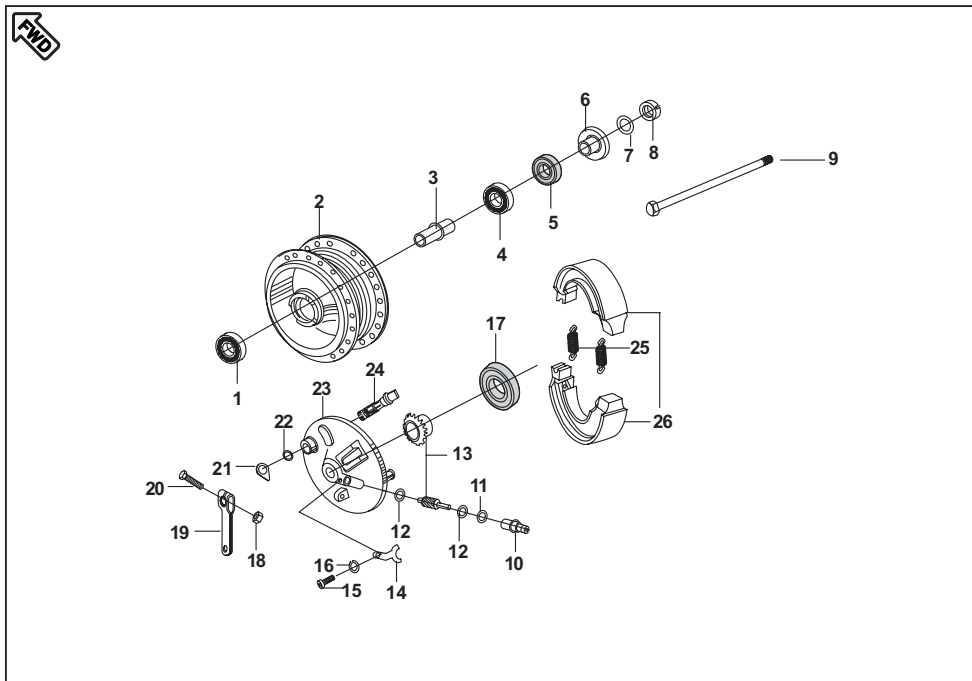
No.	Part No.	Description	Qty/ Veh.	Remarks
1	DM 1510 29	Rim - 1.60 X 17 for Drum Brake :- DIA.110	1	
2	DU 1510 18	Wheel Rim Rear	1	
3	16 1510 66	Nipple Spoke	72	
4	DU 1510 25	Spoke Inner	18	
5	DU 1510 26	Spoke Outer	18	
6	DS 1510 48	Tyre Front	1	N.S
7	DS 1510 49	Tube Front	1	N.S
8	DS 1510 53	Tube Rear	1	N.S
9	DS 1510 47	Tyre Front with tube	1	
10	DS 1510 51	Tyre Rear with tube	1	
11	DS 1510 52	Tyre Rear	1	N.S



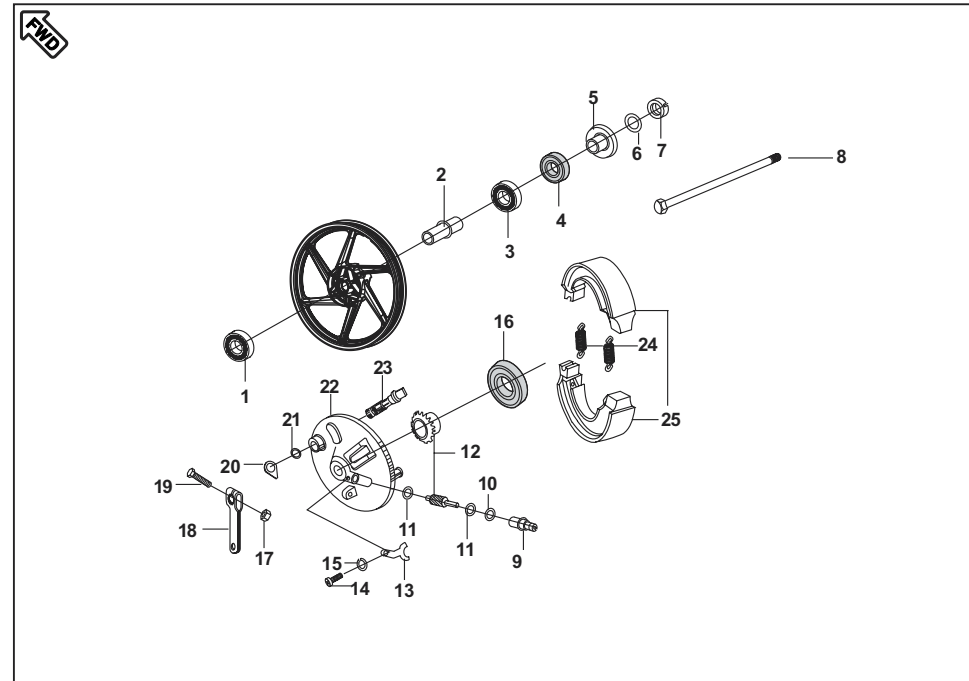
No.	Part No.	Description	Qty/ Veh.	Remarks
1	DS 1510 66	Wheel 1.6 X 17 Drum Die Cast	1	
	JB 1310 01	Wheel Front - 1.4 X 17 Drum	1	For 5 Spoke
	JK 1310 21	Wheel Front - 1.4 X 17 Drum	1	Ref Cir A-13
2	JB 1312 03	Wheel Rim Rear	1	For Alloy Wheel 130mm drum
	PA 1312 04	Wheel Rim Rear	1	Alt For JB131203
	DS 1510 66	Wheel 1.6 X 17 Drum Die Cast	1	
	JB 1312 22	Wheel 1.6 X 17 Drum Die Cast	1	Ref Cir A-13
3	DS 1510 47	Tyre with tube front 2.75" x 17"	1	
4	DM 1510 25	Tyre :- 2.75-17, 4 PR, Rib Pattern	1	
5	DS 1510 49	Tube front	1	
6	DM 1510 27	Tyre with tube rear 3" x 17"	1	
7	DM 1510 28	Tyre :- 3.00-17, 6PR, Stud Pattern	1	
8	DS 1510 53	Tube - 3 X 17	1	
9	03 1503 10	Valve cap for tube	1	N.I.



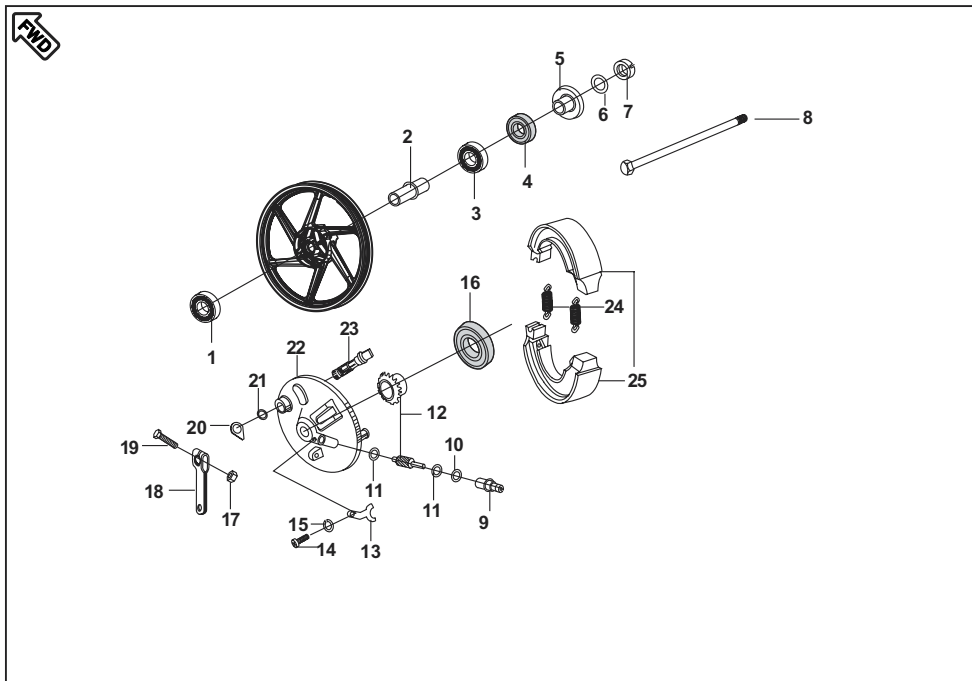
No.	Part No.	Description	Qty/ Veh.	Remarks
1	39 2680 20	Ball Bearing	1	
2	DF 1510 03	Drum Front	1	
3	31 1510 04	Collar	1	
4	39 2681 20	Ball Bearing	1	
5	14 1510 21	Oil Seal	1	
6	DU 1510 05	Collar Axle Assly.	1	
	JK 1318 07	Collar Axle Assly.	1	* Black color scheme
7	39 02 4811	Plain Washer	1	
8	39 0981 15	Nut- Hex. Slotted :- M10 X 1.25	1	
9	DZ 1510 12	Axle	1	
10	30 1511 19	Bushing	1	
11	39 1013 21	Ring 'O'	1	
12	30 1510 42	Washer	2	
13	36 DS15 02	Gear Meter Screw Kit	1	Ref. Page No. 62
14	30 1511 18	Stopper Fro bushing	1	
	JK 1310 16	Stopper Fro bushing	1	* Black color scheme
15	39 0840 01	Screw pan Cross	1	
	JK 1310 18	Screw pan Cross	1	* Black color scheme



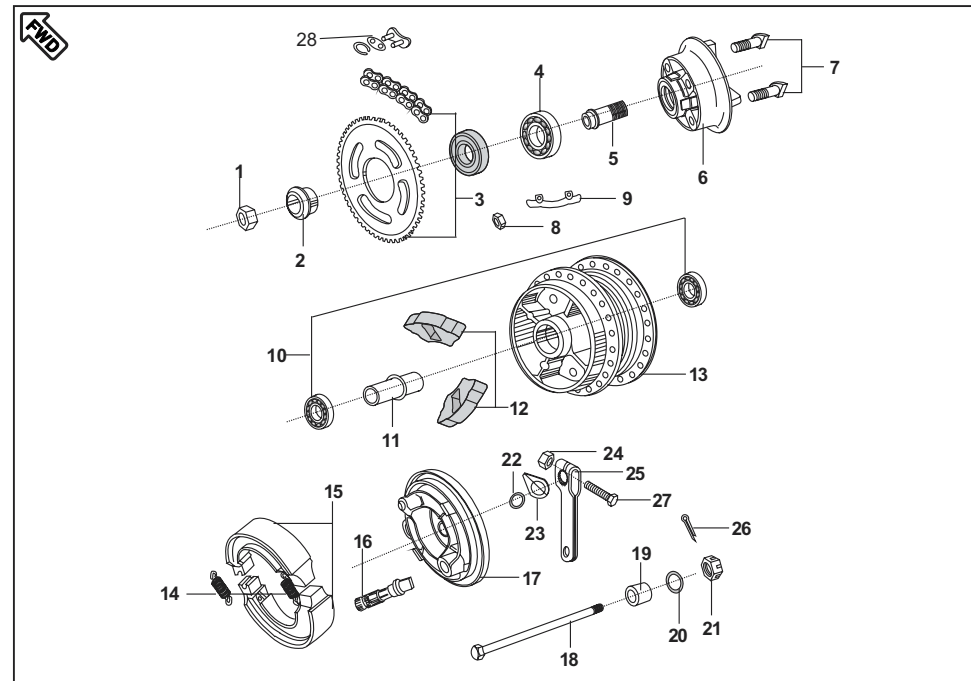
No.	Part No.	Description	Qty/ Veh.	Remarks
16	39 0900 12	Spring Washer	1	
17	31 1510 14	Oil Seal	1	
18	DS 1510 94	Flange Nut	1	
19	DD 1510 08	Lever Brake Cam	1	
20	DS 1510 95	Bolt	1	
21	DS 1510 91	Indicator Front	1	
22	30 1510 38	Ring O	1	
23	DZ 1510 27	Panel Front Brake	1	
24	JK 1310 25	Cam Brake	1	
25	30 1510 69	Spring	2	
26	31 1510 60	Shoe Assly. - Brake for Spare Part	1	
27	39 0841 01	Screw Counter	1	N.I.



No.	Part No.	Description	Qty/ Veh.	Remarks
1	39 2688 20	Ball Bearing	1	10x35x11
2	30 1510 32	Collar	1	
3	39 2681 20	Ball Bearing	1	
4	30 1510 33	Oil Seal	1	
5	30 1511 22	Collar Axle Assly.	1	
6	39 0248 11	Plain Washer	1	
7	59 1500 03	Nut Hex. Slotted	1	
8	DZ 1510 14	Axle	1	
9	30 1511 19	Bushing	1	
	JA 1316 06	Bushing	1	For 5 Spoke
10	39 1013 21	Ring 'O'	1	
11	30 1510 42	Washer	2	
12	36 DZ00 08	Gear Meter Screw Kit	1	Ref. Page No. 62
13	30 1511 18	Stopper for bushing	1	
	JK 1310 16	Stopper for bushing	1	* Black color scheme
14	39 0840 01	Screw pan Cross	1	
	JK 1310 18	Screw pan Cross	1	* Black color scheme

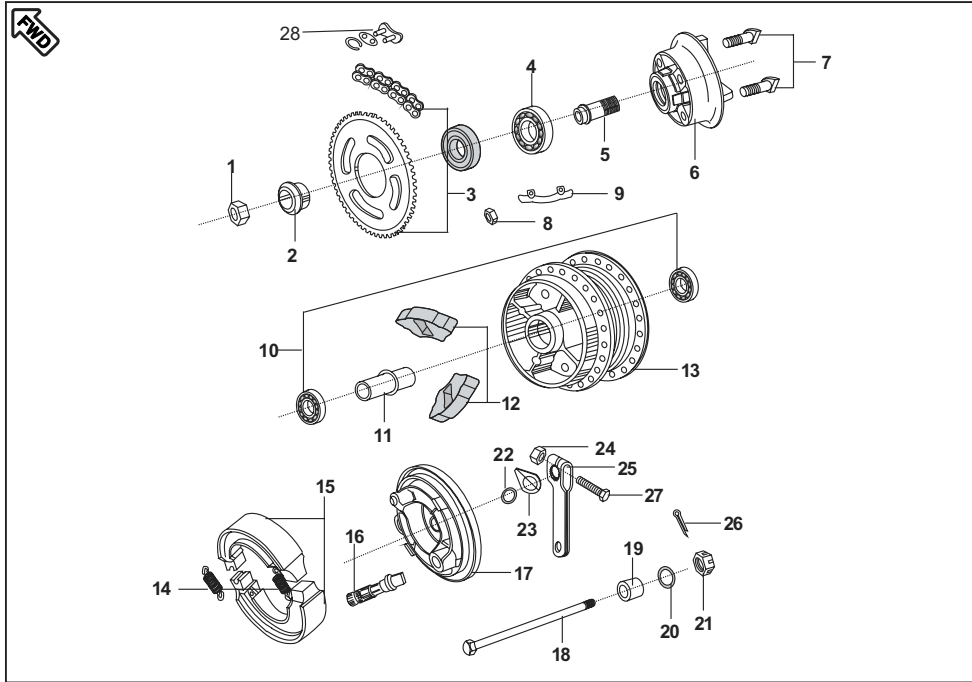


No.	Part No.	Description	Qty/ Veh.	Remarks
15	39 0900 12	Spring Washer	1	
16	31 1510 14	Oil Seal	1	
17	DS 1510 94	Flange Nut	1	
18	DD 1510 08	Lever Brake Cam	1	
	JA 1316 07	Lever Brake Cam	1	For 5 Spoke Old
	JK 1310 24	Lever Brake Cam	1	* Black color scheme
19	DS 1510 95	Bolt	1	
20	DD 1510 09	Indicator Front	1	
21	30 1510 38	Ring O	1	
	39 1516 64	Ring O	1	For 5 Spoke
22	DD 1510 13	Panel Front Brake	1	
	DZ 1510 30	Panel Front Brake	1	For 5 Spoke
23	31 1510 11	Cam Brake	1	
24	30 1510 69	Spring	2	
25	31 1510 60	Shoe brake	2	

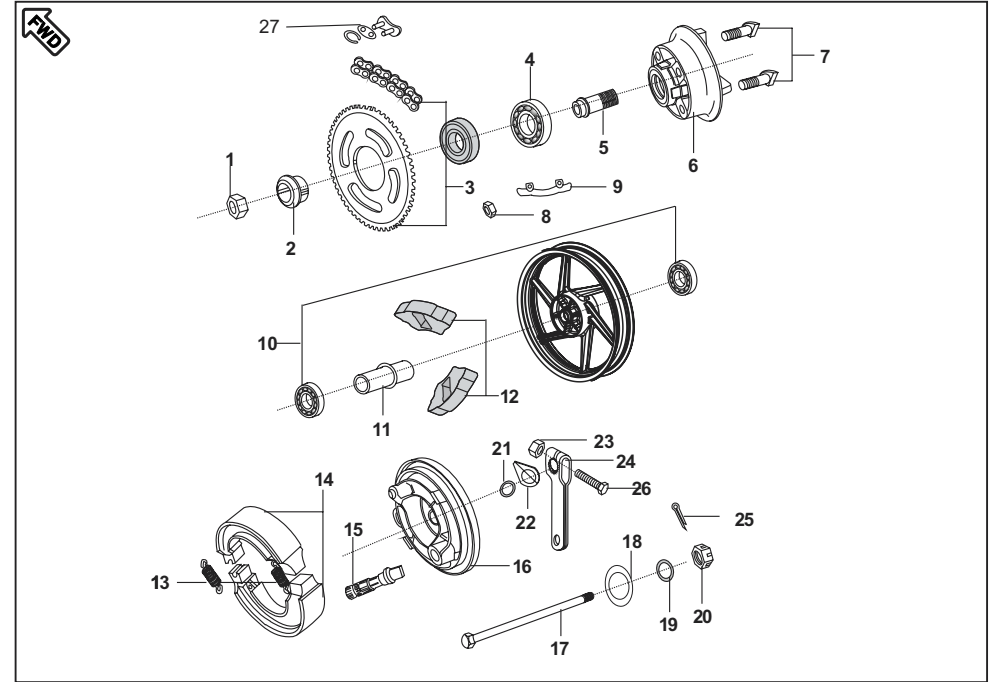


No.	Part No.	Description	Qty/ Veh.	Remarks
1	39 0988 15	Nut Hex.	1	
2	30 1510 05	Indicator	1	
3	36 Dz00 02	Chain Sprocket Kit	1	Ref. Page No. 62
4	39 2240 20	Bearing Ball	1	
5	DZ 1510 02	Sleeve	1	
	JK 1312 02	Sleeve	1	* Black color scheme
6	DU 1510 10	Coupling	1	
7	39 0978 04	'D' bolt	4	
8	39 0794 15	Nut Hex. Fine	4	
9	31 1510 29	Lock Washer	2	
10	36 DU15 06	Rear Wheel Bearing Kit	1	Ref. Page No. 62
11	31 1510 18	Collar Bearing	2	
12	31 1510 21	Shock Damper	4	
13	DU 1510 09	Drum Rear	1	
14	30 1510 69	Spring	2	
15	31 1510 60	Shoe Brake	1	
16	31 1510 23	Brake Cam	1	
17	31 1510 24	Panel Rear Brake	1	

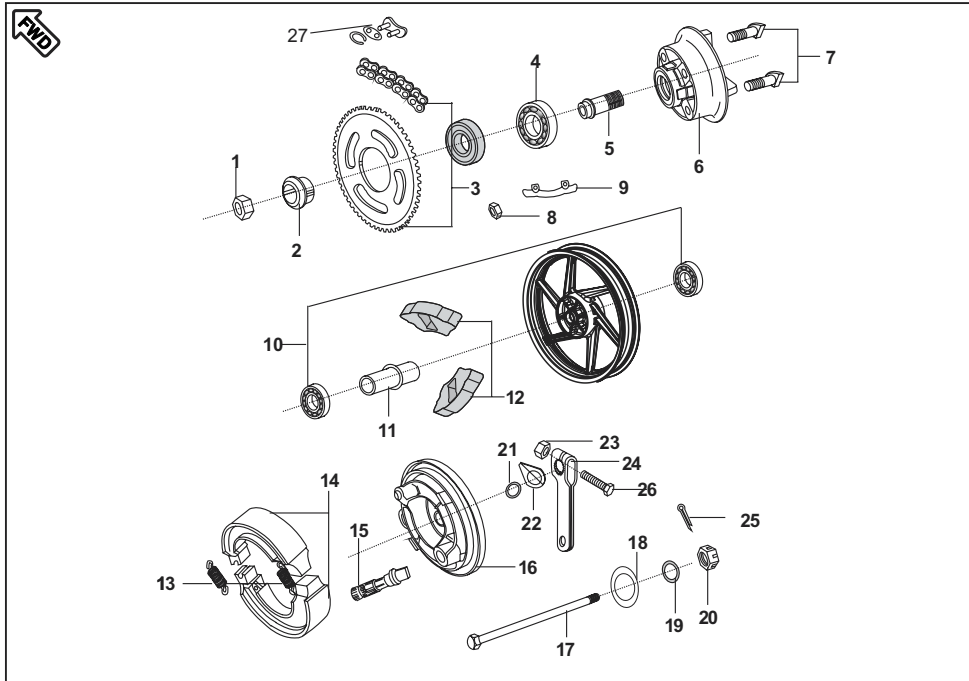




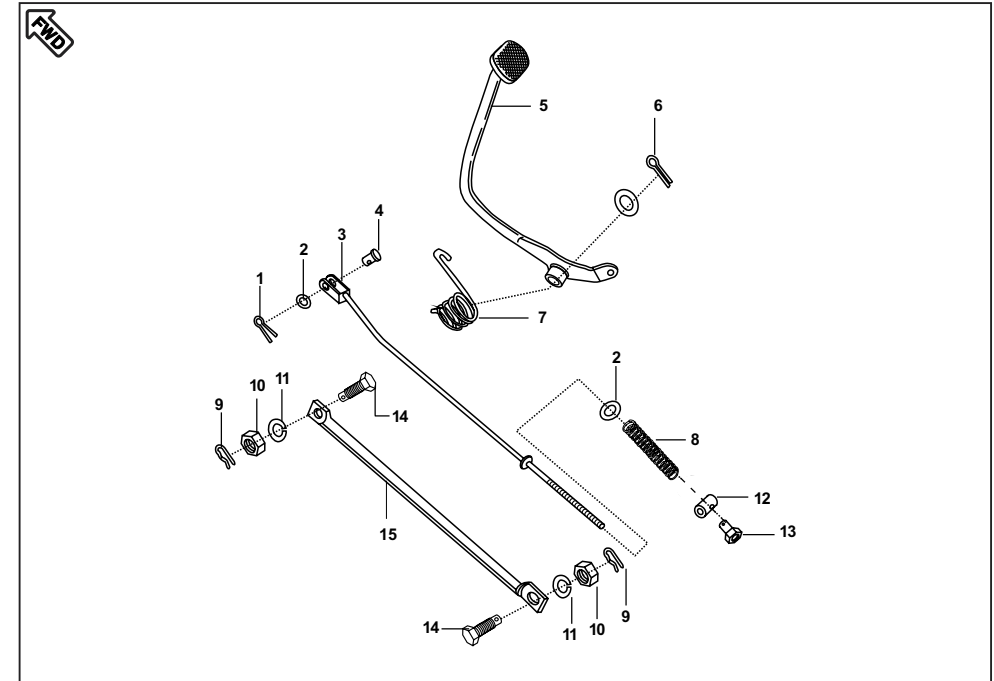
No.	Part No.	Description	Qty/ Veh.	Remarks
18	DZ 1510 10	Axle	1	
	DZ 1510 38	Axle	1	
	JK 1312 01	Axle	1	* Black color scheme
19	DZ 1510 04	Collar	1	
	JK 1312 04	Collar	1	* Black color scheme
20	DX 1510 18	Washer Plain	1	
21	59 1500 03	Hex 'U' nut	1	
	30 1510 38	Ring O	1	
22	DZ 1510 03	Collar	1	
	JK 1312 03	Collar	1	* Black color scheme
24	39 0798 15	Hex Nut	1	
	DS 1510 94	Flange Nut	1	* Black color scheme
25	31 1510 37	Lever Brake	1	
	JB 1316 05	Lever Brake	1	* Black color scheme
26	39 0787 08	Pin Cotter	1	
27	39 0798 15	Hex. nut	1	
	DS 1510 94	Flange Nut	1	* Black color scheme
28	DX 1510 81	Drive Chain Lock	1	



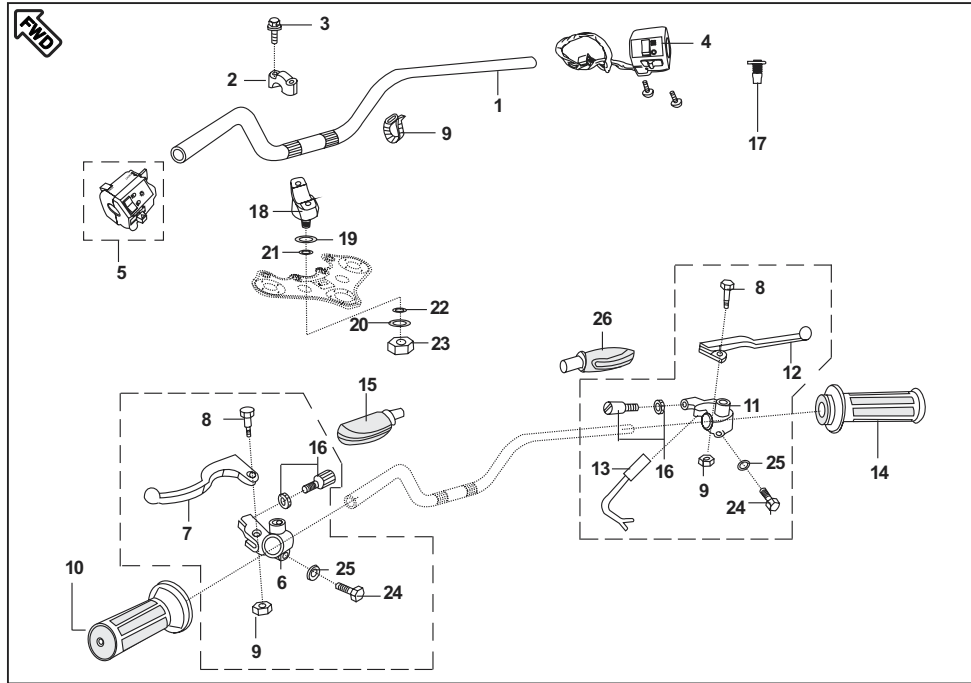
No.	Part No.	Description	Qty/ Veh.	Remarks
1	39 0988 15	Nut Hex.	1	
	JB 1312 25	Nut Hex.	1	* Black color scheme
2	30 1510 05	Indicator	1	
	DS 1510 90	Indicator	1	* Black color scheme
3	36 DZ00 02	Chain Sprocket Kit	1	Ref. Page No. 62
4	39 2240 20	Bearing Ball	1	
5	DZ 1510 02	Sleeve	1	(For Axel dia15)
	DZ 1510 19	Sleeve	1	For Alloy Wheel 130mm drum
6	DU 1510 10	Coupling	1	
7	DZ 1510 18	Stud	4	
8	39 0801 15	Nut Hex. Fine	4	
9	31 1510 29	Lock Washer	2	
10	36 DU15 06	Rear Wheel Bearing Kit	1	Ref. Page No. 62
11	31 1510 18	Collar Bearing	2	
12	DJ 1510 88	Coupling Rubber Integral	4	For Alloy Wheel 130mm drum
	31 1510 21	Coupling Rubber Integral	4	New part.
13	30 1510 69	Spring	2	
14	31 1510 60	Shoe Brake	1	
15	31 1510 23	Brake Cam	1	
	JB 1312 23	Brake Cam	1	Alternate



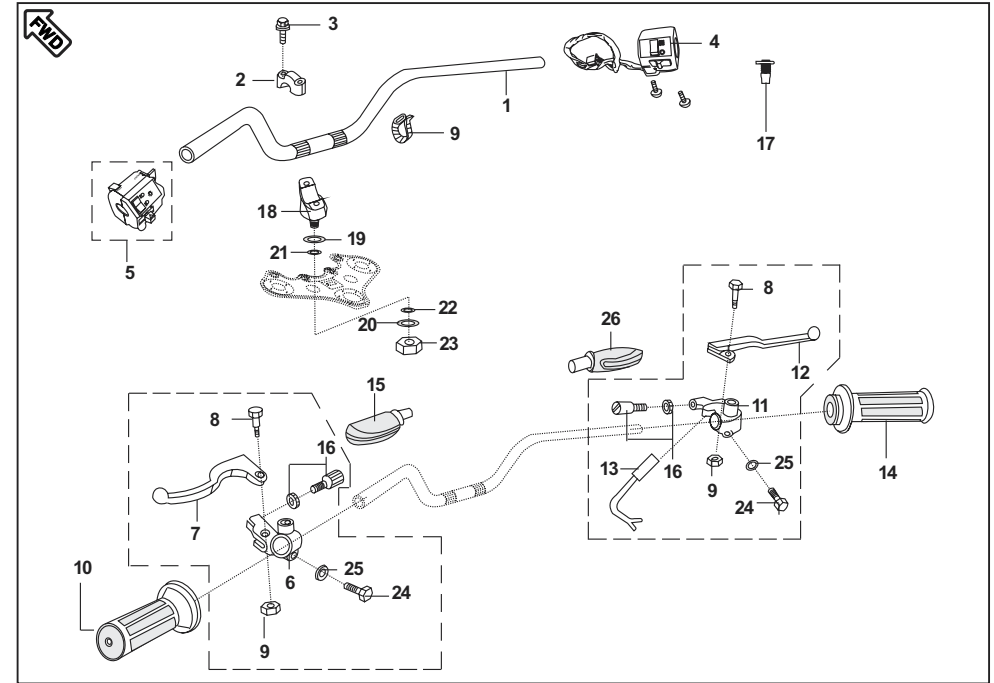
No.	Part No.	Description	Qty/ Veh.	Remarks
16	DS 1510 76	Panel Rear Brake	1	For 6 Spoke
	JA 1312 05	Panel Rear Brake	1	For 5 Spoke
17	DZ 1510 21	Axle	1	For Alloy Wheel 130mm drum
18	DZ 1510 04	Collar	1	
	DZ 1510 20	Collar	1	For Alloy Wheel 130mm drum
19	39 0714 11	Washer Plain	1	
20	DH 1710 19	'U' nut Swing Arm	1	For Alloy Wheel 130mm drum
21	30 1510 38	Ring O	1	
22	DZ 1510 20	Collar	1	For Alloy Wheel 130mm drum
23	DS 1510 94	Flange Nut	1	
24	31 1510 37	Lever Brake	1	
25	39 0787 08	Pin Cotter	1	
	39 0807 08	Pin Cotter	1	For 5 Spoke
26	39 0798 15	Hex. nut	1	
27	DX 1510 81	Drive Chain Lock	1	



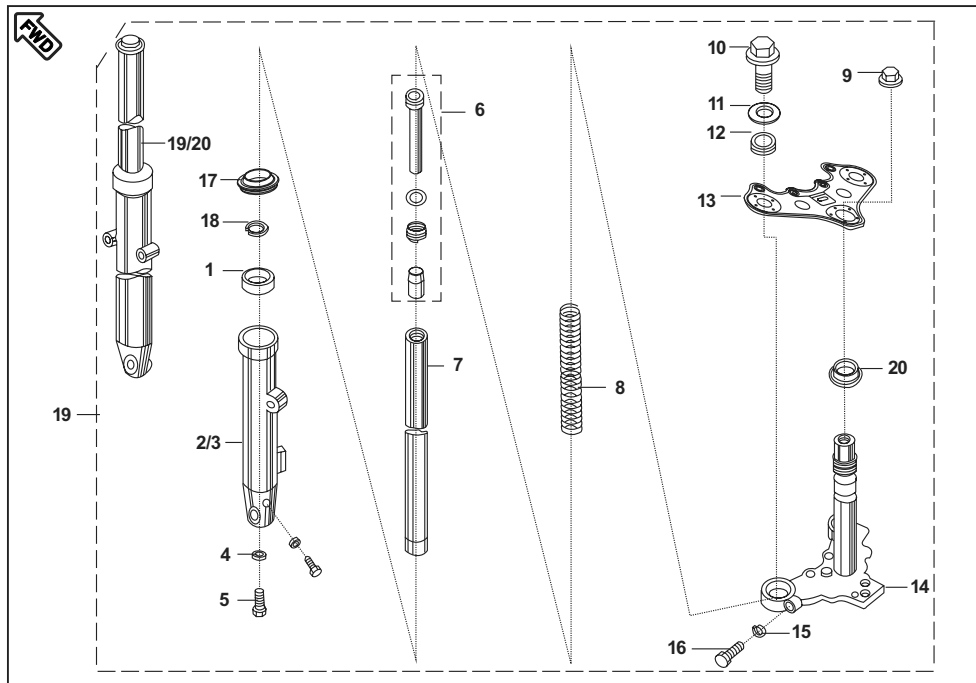
No.	Part No.	Description	Qty/ Veh.	Remarks
1	39 0808 08	Split pin	1	
2	39 0219 11	Plain Washer	2	
3	DZ 1910 01	Rod Brake	1	
	JK 1610 01	Rod Brake	1	* Black color scheme
	DP 1910 02	Rod Brake	1	
4	30 1910 38	Pin	1	
5	DZ 1910 04	Lever Brake Tubular	1	
6	39 0797 08	Pin Cotter	1	
7	30 1910 31	Spring	1	
8	30 1910 35	Spring	1	
9	39 0807 08	Pin Snap	2	
10	39 0708 15	Nut Hex.	2	
11	39 0789 12	Washer Spring	2	
12	30 1910 37	Pin	1	
13	30 1910 36	Brake adjusting nut	1	
14	30 1510 95	Bolt	2	
15	DZ 1510 31	Torque rod	1	
16	39 0292 15	Hex. Nut M6	1	N.I.
17	39 1672 04	Adjusting Bolt M6	1	N.I.



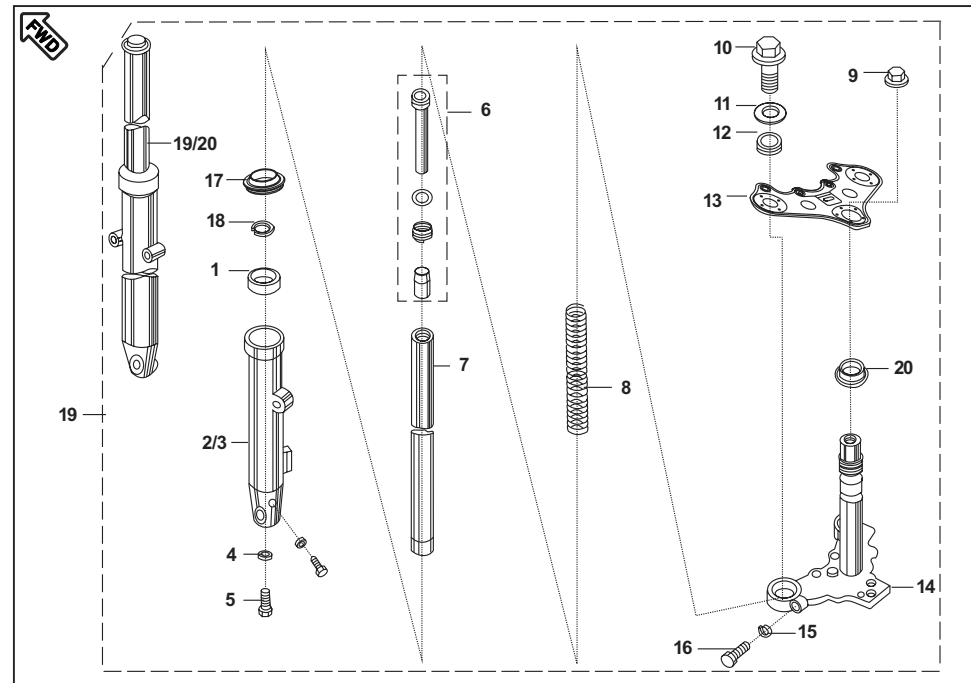
No.	Part No.	Description	Qty/ Veh.	Remarks
1	DU 1810 21	Handle	1	
2	FD 1810 30	Holder Handle Upper	2	
3	39 1074 04	Flanged Bolt	4	
4	DU 2010 18	Control Switch RH	1	(3 Position)
	JK 4014 02	Switch Control RH + Ride Control	1	Ref. Circular A-12 16.2.2010
	DZ 2010 44	Switch Control RH + Ride Control	1	Ref Circular IB-96 14.02.2014
5	DD 2011 55	Control Switch LH	1	
6	DL 1910 12	Holder Left hand	1	
7	DL 1910 13	Lever grip - Left	1	
8	DL 1910 14	Stud Lever handle	2	
9	39 1184 15	Nyloc nut	2	
10	DU 1910 09	Grip - Left hand	1	
11	DD 1911 41	Holder Right hand	1	
12	DD 1911 42	Lever grip - Right	1	
13	DD 2011 70	Front brake switch	1	
	PA 4014 03	Front brake switch	1	
14	DU 1910 03	Grip assly RH	1	
15	DD 1911 44	Boot For Lever LH	1	



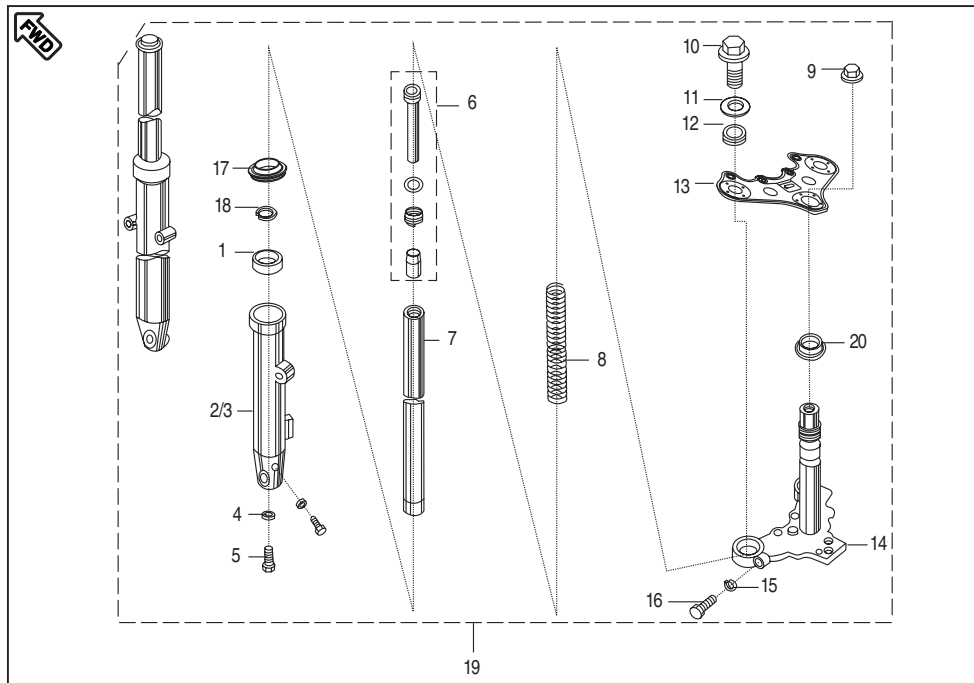
No.	Part No.	Description	Qty/ Veh.	Remarks
16	36 DU19 01	Cable Adjuster kit	1	Ref. Page No. 62
17	DU 2010 46	Plunger with Spring	1	
18	FD 1810 31	Holder Handle Lower	2	
19	DF 1810 91	Damper Handle Upper	2	
20	DF 1810 92	Damper Handle Lower	2	
21	FD 1810 19	Washer Plain Upper	2	
22	FD 1810 20	Washer Plain Lower	2	
23	39 0422 15	Nylock Nut	2	
24	39 0725 04	Hex.Bolt	2	
25	39 0198 11	Plain Washer	2	
26	DD 1911 43	Boot For Lever RH	1	



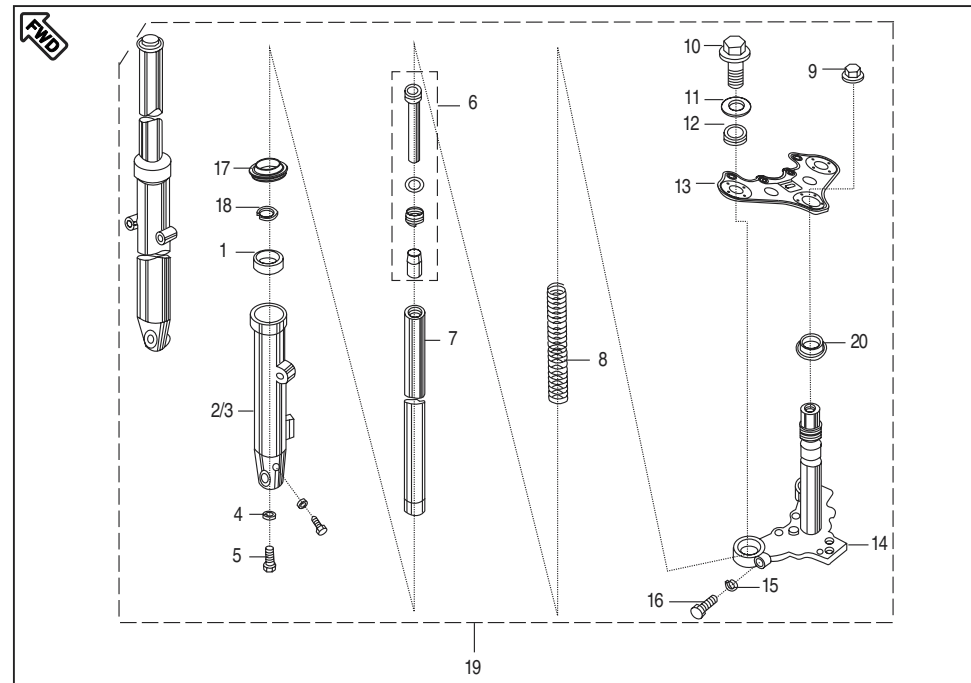
No.	Part No.	Description	Qty/ Veh.	Remarks
1	DL 1810 80	Seal Oil	1	
2	JK 1210 12	Pipe Left Fork Outer	1	* Black color scheme
	DD 1811 05	Pipe Left Fork Outer	1	
3	DD 1810 34	Pipe Right Fork Outer	1	
	JK 1210 13	Pipe Right Fork Outer	1	* Black color scheme
	DD 1810 69	Pipe Right Fork Outer	1	For alloy wheel
4	30 1810 26	Gasket	2	
5	30 1810 25	Bolt	2	
6	30 1810 18	Cyl. Complete Fork	2	
7	DM 1810 36	Pipe Comp. Susp. Inner	2	
8	DE 1810 31	Spring Front Fork	2	
9	FD 1810 12	Cap Special Nut	1	
10	31 1811 20	Bolt Fork	2	
11	30 1810 29	Ring 'O'	2	
12	DF 1810 85	Seat Fork Spring	2	



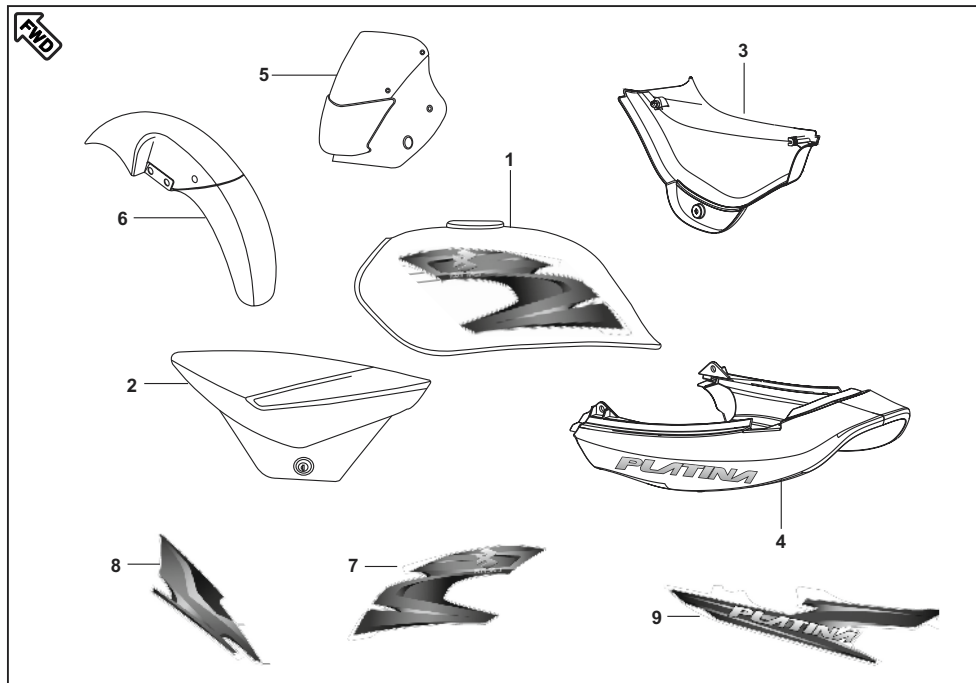
No.	Part No.	Description	Qty/ Veh.	Remarks
13	DD 1812 05	Holder Fork Upper	1	
14	DD 1812 07	Holder Fork Under	1	
15	39 0789 12	Washer Spring	2	
16	39 1813 04	Bolt Hex.	2	
17	DD 1810 11	Dust seal	2	
18	30 1810 23	Ring snap	2	
19	DU 1810 67	Front Fork without fork cover	1	
	DZ 1810 13	Front Fork (axle dia 15)	1	For alloy wheel
	JK 1210 14	Front Fork without fork cover	1	* Black color scheme
20	36 DS18 02	Bearing cone Kit	1	Ref. page No. 62



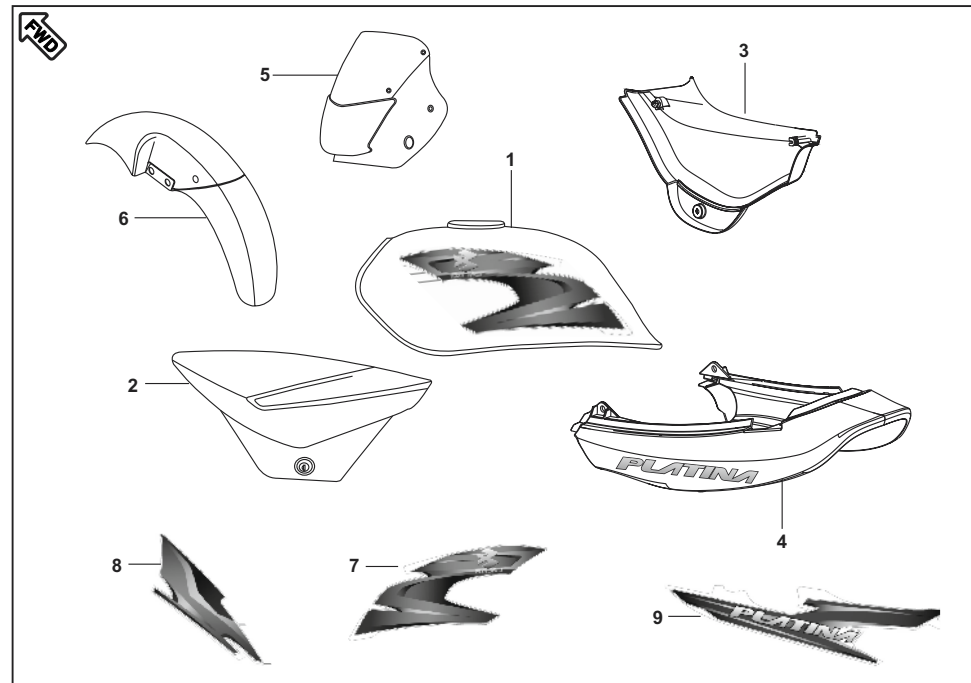
No.	Part No.	Description	Qty/ Veh.	Remarks
1	DL 1810 80	Seal Oil Hi Tec.	2	
2	JK 1210 12	Pipe Left Fork Outer	1	
3	JK 1210 13	Pipe Right Fork Outer	1	
4	30 1810 26	Gasket	2	
5	30 1810 25	Bolt	2	
6	30 1810 53	Cyl. Complete Fork	2	
7	DM 1810 36	Pipe Comp. Susp. Inner	2	
8	DE 1810 31	Spring Front Fork	2	
9	FD 1810 12	Cap Special Nut	1	
10	DU 1810 69	Bolt Fork	2	
11	30 1810 29	Ring 'O'	2	
12	DF 1810 85	Seat Fork Spring	2	
13	DD 1812 05	Holder Fork Upper	1	
14	DD 1812 07	Holder Fork Under	1	
15	39 0789 12	Washer Spring	2	



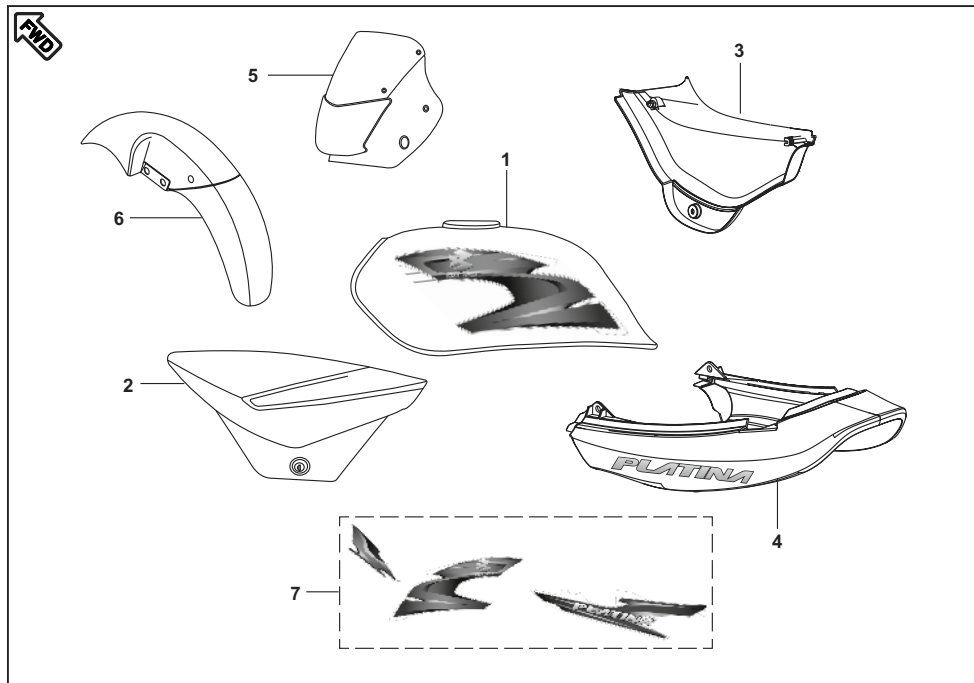
No.	Part No.	Description	Qty/ Veh.	Remarks
16	39 1813 04	Bolt Hex. <10 x 1.25	2	
17	DD 1810 11	Dust seal	2	
18	30 1810 23	Ring snap	2	
19	JK 1210 14	Front Fork	1	
20	36 3140 01	Bearing cone Kit	1	



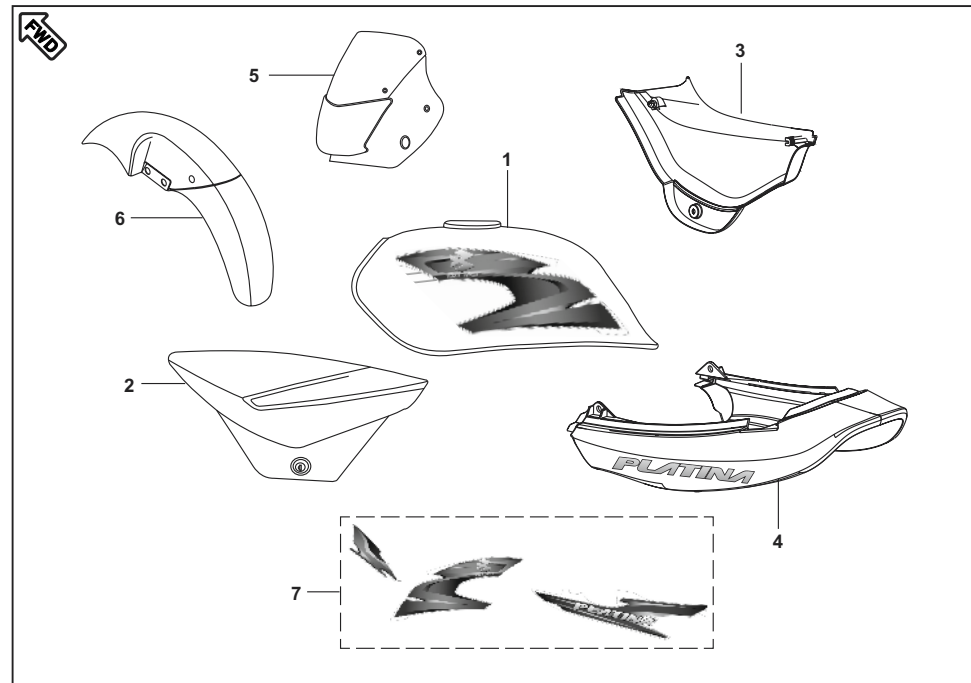
No.	Part No.	Description	Qty/ Veh.	Remarks
		<b>Non Chrome Painted Parts</b>		
1	DZ 7106 3A	Petrol Tank with Decal	1	Long Beach Blue
	DZ 7106 2V	Petrol Tank with Decal	1	Cocktail Wine Red
	DZ 7106 3W	Petrol Tank with Decal	1	BLACK
	DZ 7106 4G	Petrol Tank with Decal	1	BLK/MAROON
	DZ 7106 3F	Petrol Tank with Decal	1	FLAME RED N.S
	DZ 7106 3E	Petrol Tank with Decal	1	ELEC BLUE
2	DZ 1610 41	Side Cover LH	1	
3	DZ 1610 42	Side Cover RH	1	
4	DZ 7313 3A	Seat Cowl with Decal	1	Long Beach Blue
	DZ 7313 2V	Seat Cowl with Decal	1	Cocktail Wine Red
	DZ 7313 3W	Seat Cowl with Decal	1	Jet Black
	DZ 7313 4G	Seat Cowl with Decal	1	Maroon
5	DZ 7403 3A	Fairing with Decal	1	Long Beach Blue
	DZ 7403 2V	Fairing with Decal	1	Cocktail Wine Red
	DZ 7403 3W	Fairing with Decal	1	Jet Black
	DZ 7403 4G	Fairing with Decal	1	Maroon
6	52 DZ00 15	Front Fender	1	Long Beach Blue
	52 DZ00 16	Front Fender	1	Cocktail Wine Red
	52 DD03 59	Front Fender	1	Jet Black



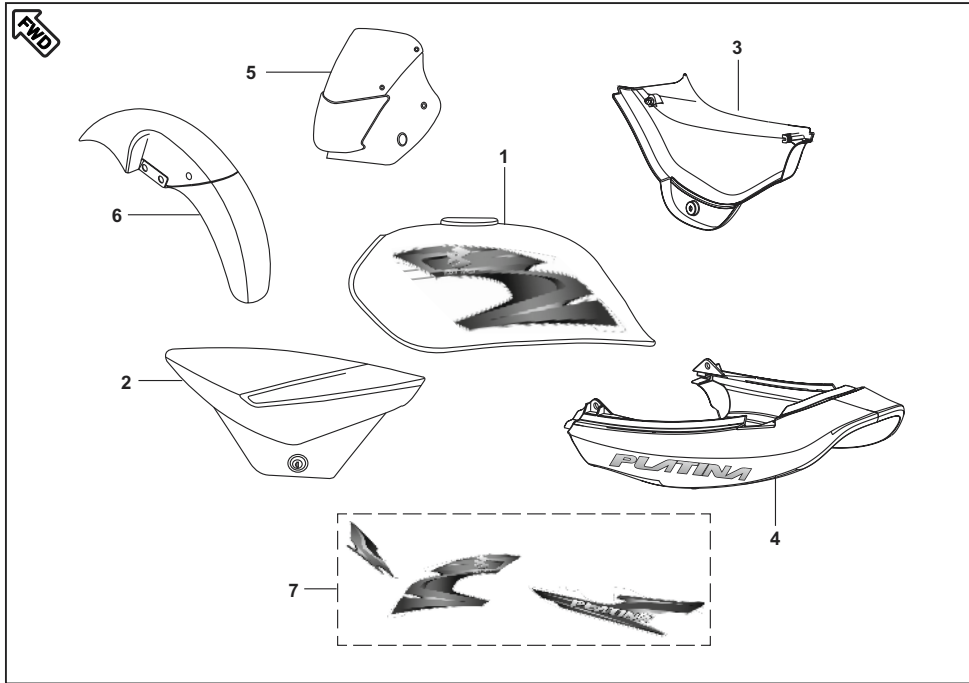
No.	Part No.	Description	Qty/ Veh.	Remarks
		<b>Non Chrome Decal Set</b>		
7	36DZ0036	Kit Tank Decal	1	Long Beach Blue
	36DZ0037	Kit Tank Decal	1	Cocktail Wine Red
	36DZ0038	Kit Tank Decal	1	Jet Black
	36DZ0039	Kit Tank Decal	1	Maroon
	36DZ0040	Kit Tank Decal	1	Flame Red
	36DZ0041	Kit Tank Decal	1	Electron Blue
8	36DZ0046	Kit Decal Fairing	1	Long Beach Blue
	36DZ0047	Kit Decal Fairing	1	Cocktail Wine Red
	36DZ0048	Kit Decal Fairing	1	Jet Black
	36DZ0049	Kit Decal Fairing	1	Maroon
	36DZ0050	Kit Decal Fairing	1	Flame Red
	36DZ0051	Kit Decal Fairing	1	Electron Blue
9	36DZ0056	Kit Decal Seat Cowl	1	Long Beach Blue
	36DZ0057	Kit Decal Seat Cowl	1	Cocktail Wine Red
	36DZ0058	Kit Decal Seat Cowl	1	Jet Black
	36DZ0059	Kit Decal Seat Cowl	1	Maroon
	36DZ0060	Kit Decal Seat Cowl	1	Flame Red
	36DZ0061	0Kit Decal Seat Cowl	1	Electron Blue



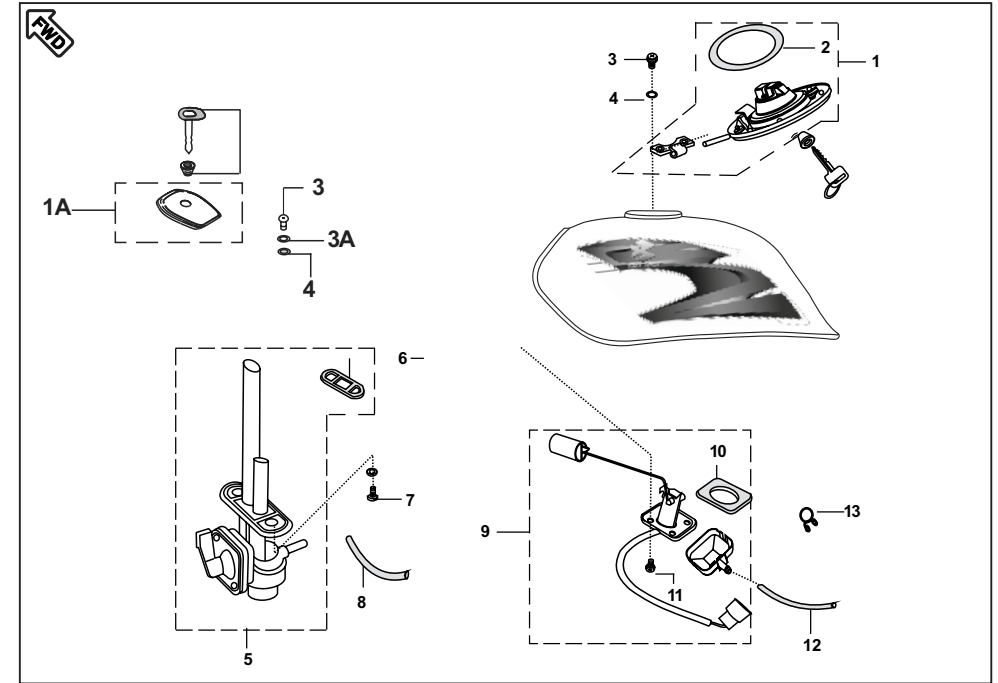
No.	Part No.	Description	Qty/ Veh.	Remarks
1	DZ 7105 2V	Petrol Tank with Decal	1	COCKTAIL WINE RED
	DZ 7105 3A	Petrol Tank with Decal	1	LONG BEACH BLUE
	DZ 7105 3Q	Petrol Tank with Decal	1	SILVER/CHROME
	DZ 7105 3V	Petrol Tank with Decal	1	SLATE GRAY
	DZ 7105 3W	Petrol Tank with Decal	1	BLACK/CHROME
	DZ 7105 4G	Petrol Tank with Decal	1	BLACK MAROON
2	DZ 7301 2V	Cover Side LH with Decal	1	Cocktail Wine Red
	DZ 7301 3A	Cover Side LH with Decal	1	Long Beach Blue
	DZ 7301 3Q	Cover Side LH with Decal	1	Silver / Chrome
	DZ 7301 3V	Cover Side LH with Decal	1	Slate Gray
3	DZ 7302 2V	Cover Side RH with Decal	1	Coctail Wine Red
	DZ 7302 3A	Cover Side RH with Decal	1	Long Beach Blue
	DZ 7302 3Q	Cover Side RH with Decal	1	Silver / Chrome
	DZ 7302 3V	Cover Side RH with Decal	1	Slate Gray



No.	Part No.	Description	Qty/ Veh.	Remarks	
4	DZ 7303 2V	Cover Seat with Decal	1	Cocktail Wine Red N.S	
	DZ 7303 3A	Cover Seat with Decal	1	Long Beach Blue	
	DZ 7303 3Q	Cover Seat with Decal	1	Silver / Chrome	
	DZ 7303 3V	Cover Seat with Decal	1	Slate Gray	
	DZ 7303 3W	Cover Seat with Decal	1	Black Chrome	
	DZ 7303 4G	Cover Seat with Decal	1	Black Maroon Red	
	DZ 1611 96	Cover Seat with Decal	1	Flame Red	
	DZ 1612 10	Cover Seat with Decal	1	Blk-MRN+ Silver	
	5	DZ 7401 2V	Fairing with Decal	1	Cocktail Wine Red
		DZ 7401 3A	Fairing with Decal	1	Long Beach Blue
DZ 7401 3Q		Fairing with Decal	1	Silver / Chrome	
DZ 7401 3V		Fairing with Decal	1	Slate Gray	
DZ 7401 3W		Fairing with Decal	1	Black / Chrome	
DZ 7401 4G		Fairing with Decal	1	Maroon Decal	
DZ 7401 3J	Fairing with Decal	1	Jet Black Red		
6	52 DZ00 16	Fender Front with riveted brace	1	Cocktail Wine Red	
	52 DZ00 15	Fender Front with riveted brace	1	Long Beach Blue	
	52 DZ00 30	Fender Front with riveted brace	1	Silver / Chrome	
	52 DZ00 61	Fender Front with riveted brace	1	Slate Gray	
	52 DD03 59	Front Fender	1	Jet Black	

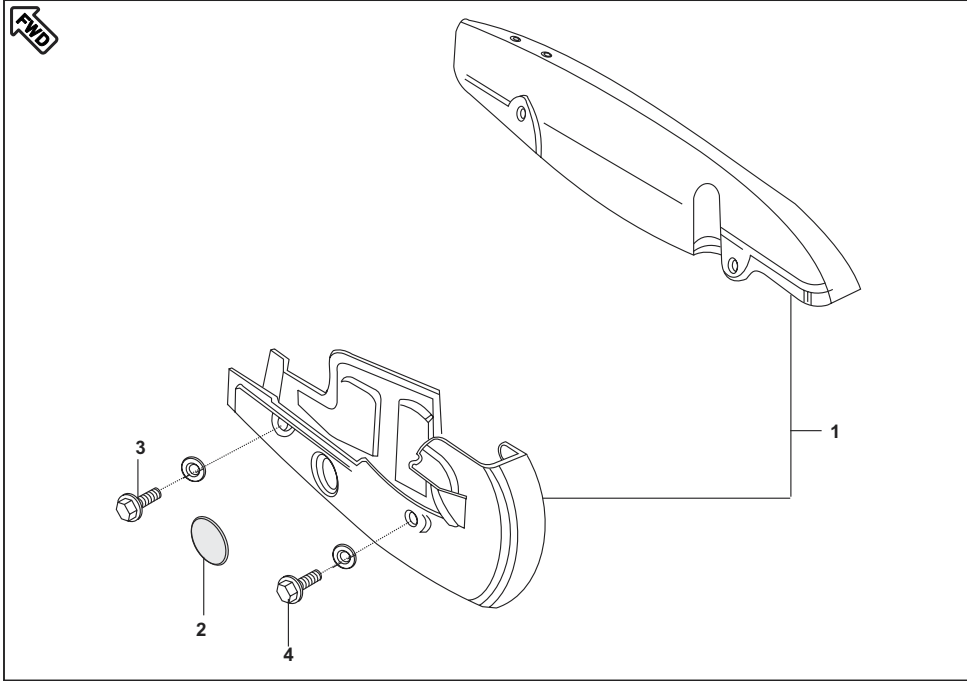


No.	Part No.	Description	Qty/ Veh.	Remarks
7	36 DZ00 04	Decal Set	1	Cocktail Wine Red N.S
	36 DZ00 03	Decal Set	1	Long Beach Blue
	36 DZ00 14	Decal Set	1	Silver / Chrome
	36 DZ00 18	Decal Set	1	Slate Grey
	36 DZ00 16	Decal Set	1	Black Chrome
	36 DZ00 24	Decal Set	1	Balck Maroon N.S

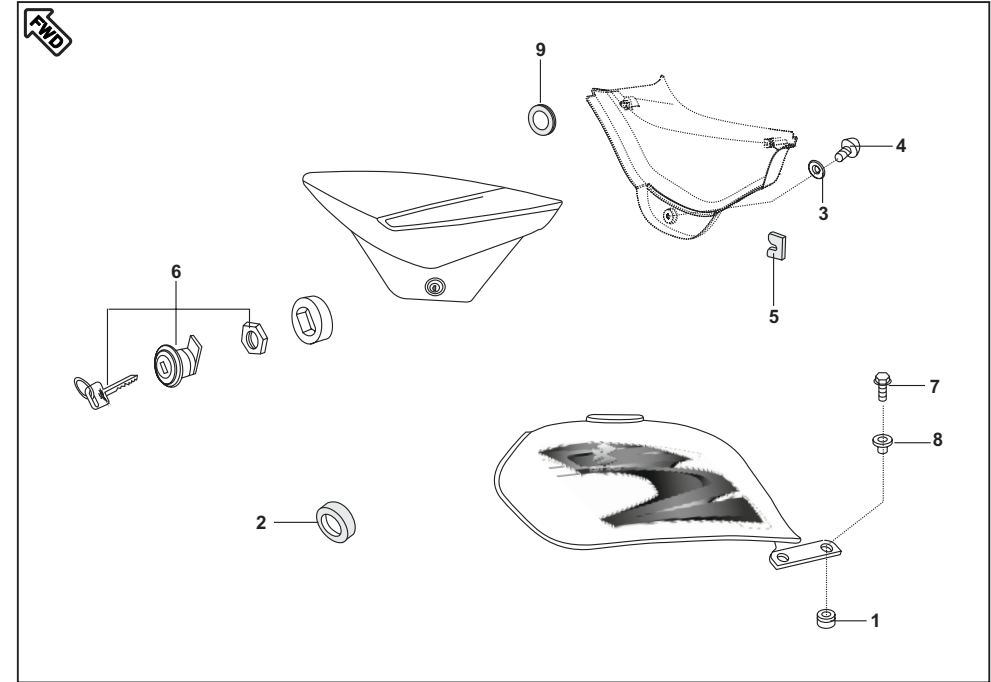


No.	Part No.	Description	Qty/ Veh.	Remarks
1	DD 1410 24	Cap Assly. Tank (Round Shape)	1	
1A	DS 1410 09	Cap Fuel Tank (Rectangular Shape)	1	Ref. Circular A-12
2	30 1410 52	Packing (For Cap)	1	
3	39 0761 01	Screw Pan Cross	2	
3A	39 2179 24	Washer	1	
4	30 1410 31	O Ring (Rectangular Cap)	2	
	39 2758 21	O Ring (Round Cap)	2	
5	DZ 1410 40	Tap Assly. Black color scheme	1	
6	30 1410 39	Packing For Tap	1	
7	DD 1412 27	Bolt Flanged	2	
8	DU 1410 41	Tube Fuel	1	
9	DZ 1910 10	Gauge Fuel (Square Shape)	1	
	DZ 2010 19	Gauge Fuel (Octagonal Shape)	1	
10	30 1410 28	Gasket For Gauge Fuel	1	
11	30 1410 32	Bolt		
12	DZ 1010 34	Tube Rubber	1	
13	DP 1210 25	Clamp	1	
14	DZ 1810 04	Lock Assly. 3 IN 1	1	(N.I.)

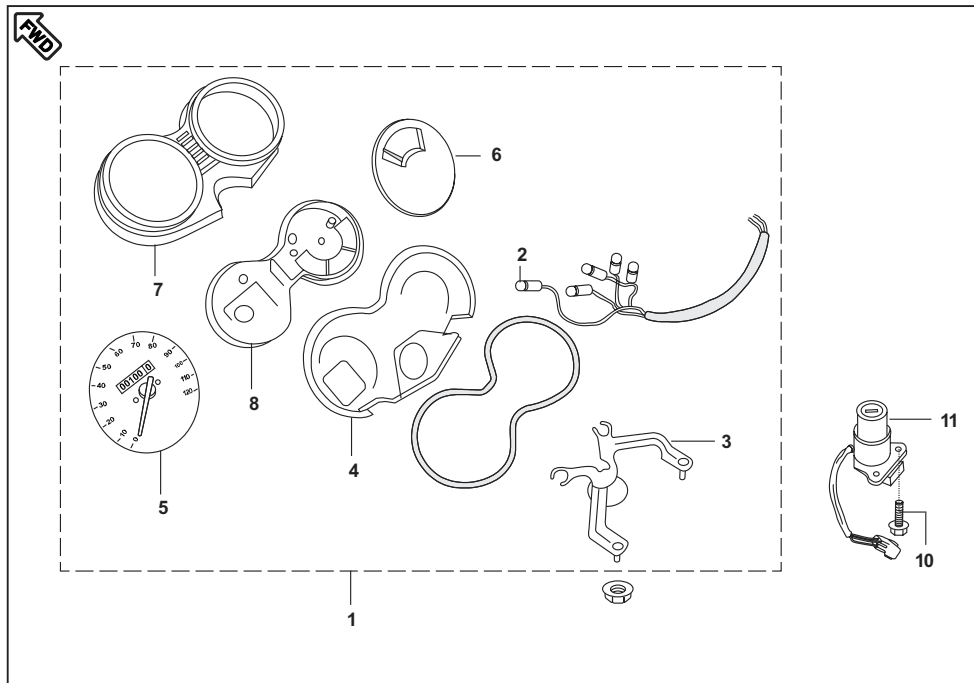




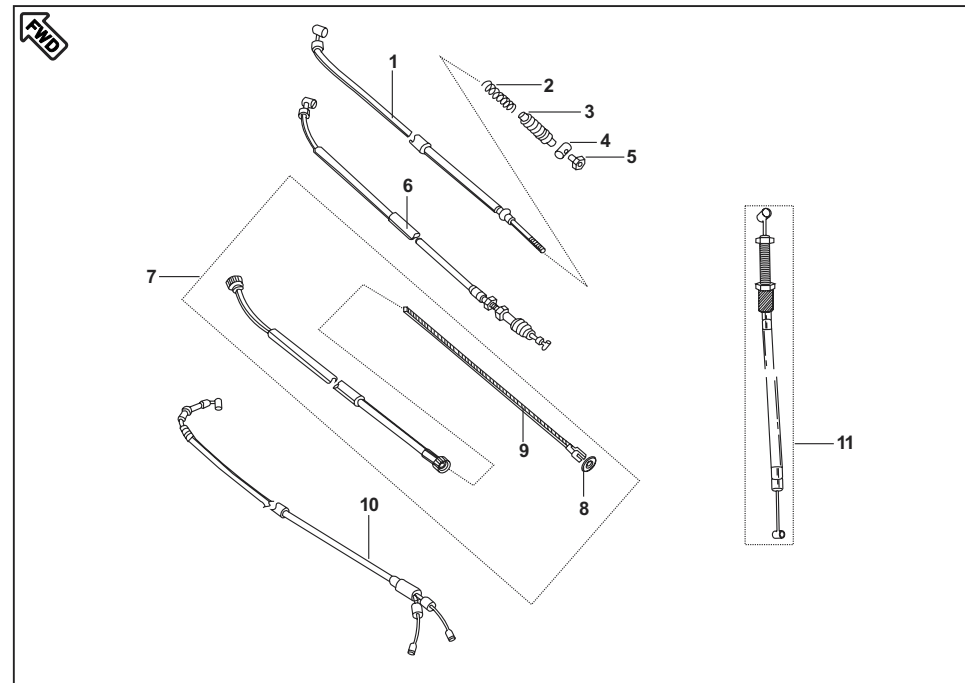
No.	Part No.	Description	Qty/ Veh.	Remarks
1	36 DZ00 01	Case Chain Kit	1	Ref. Page No. 62 For Alloy Wheel 130mm drum
	36 DZ00 09	Case Chain Kit	1	
2	DF 1614 16	Rubber Cap	1	
3	39 2475 04	Flanged Bolt	2	
4	39 1551 04	Flanged Bolt	2	



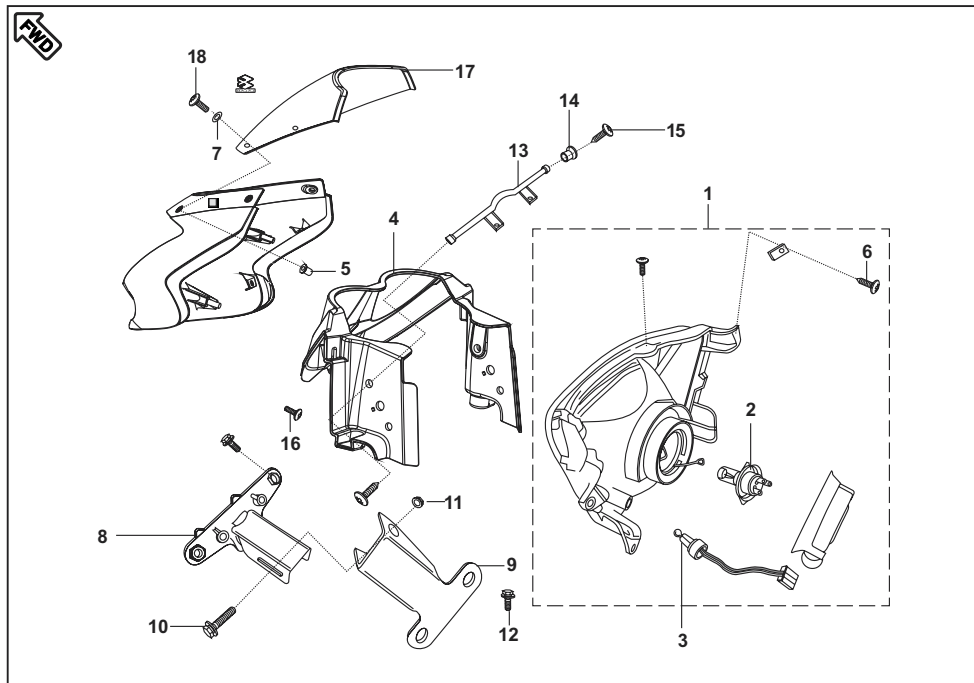
No.	Part No.	Description	Qty/ Veh.	Remarks
1	DG 1410 19	Damper	2	
2	DG 1611 18	Grommet	2	
3	DP 1610 77	Collars	1	
4	DG 1611 21	Screw	1	
5	31 1610 18	Damper	1	
6	DZ 1810 04	Lock set assly (3 in 1)	1	
7	39 1553 04	Flange Bolt	2	
8	DU 1410 27	Collar Assly.	2	
9	DP 1611 68	Damper - cover side	2	



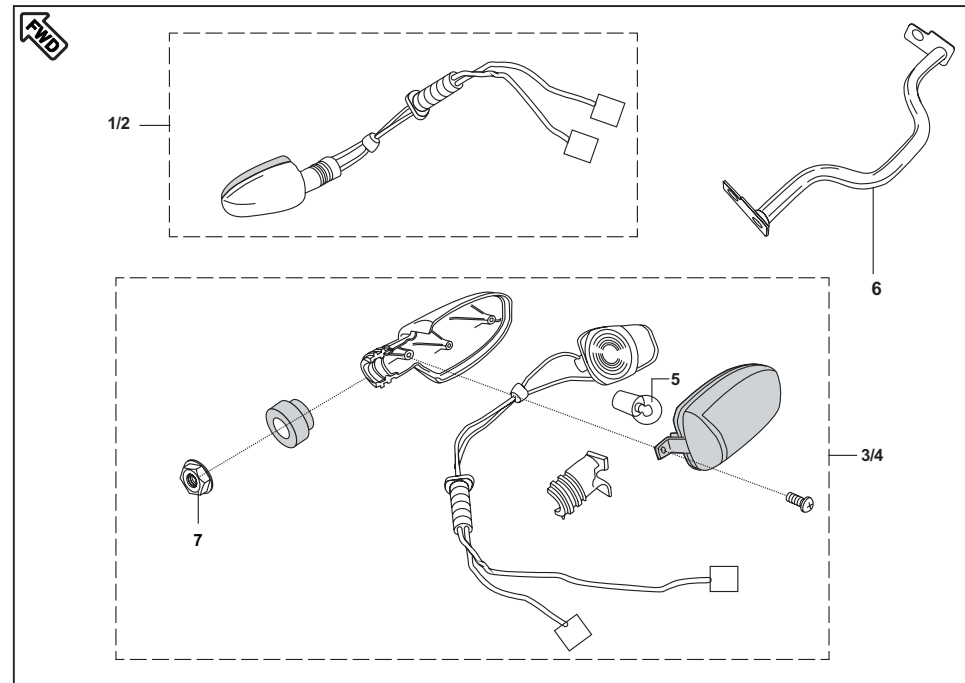
No.	Part No.	Description	Qty/ Veh.	Remarks
1	DZ 1910 05	Speedometer Assly Lamp	1	
2	DH 1910 37	Lamp 12V 3W (W/o Cap)	5	
3	DU 1910 21	Bracket Speedo Mtg.	1	
4	DU 1910 23	Cover Meter Lower Black	1	
5	DZ 1910 09	Speedometer	1	
6	DZ 1910 10	Meter Fuel	1	
7	DZ 1910 08	Cover case upper	1	
8	DU 1910 24	Cover (white) W/o Support Plate	1	
9	DS 1510 94	Flange Nut	1	
10	39 1943 04	Bolt Flanged	2	
11	DZ 1810 04	Lock Assly. 3 IN 1	1	(N.I.)



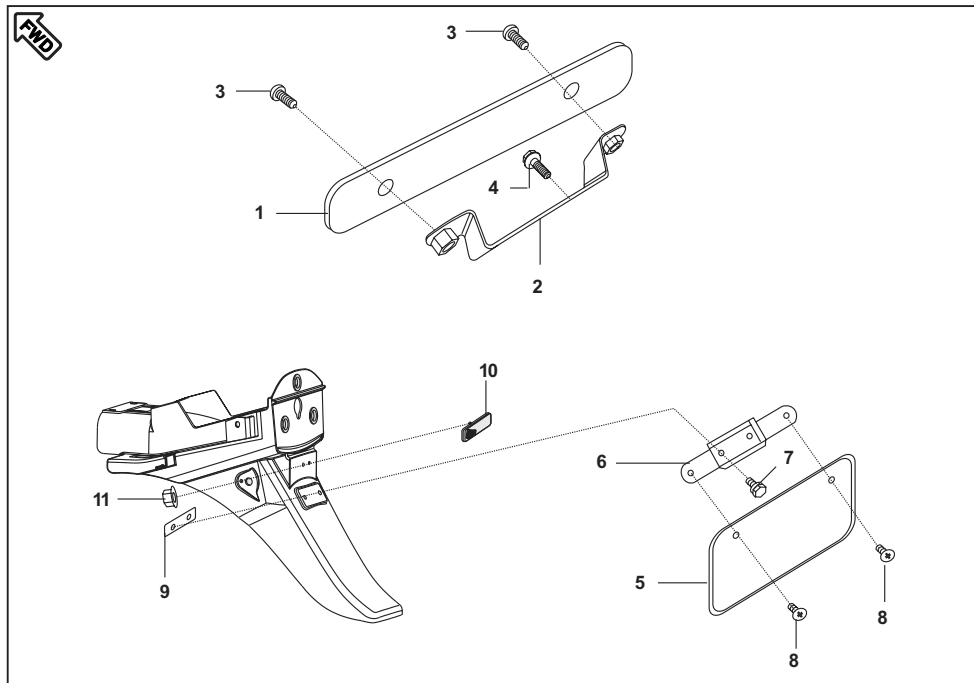
No.	Part No.	Description	Qty/ Veh.	Remarks
1	DZ 1910 13	Cable Brake (FR)	1	
2	JK 1612 02	Cable Brake (FR)	1	* Black color scheme
3	30 1910 70	Spring	1	
4	30 1910 69	Dust Seal	1	
5	30 1910 71	Rod End	1	
6	30 1910 72	Adjusting Nut	1	
7	DU 1910 06	Cable Clutch	1	
8	DU 1910 13	Cable Speedometer	1	Spoke wheel
9	DD 1910 75	Cable Speedometer	1	For alloy wheel
10	DZ 1910 14	Cable Speedometer	1	5 Spoke alloy wheel
11	30 1910 67	Oil Seal	1	
12	31 1910 04	Inner Cable Speedo	1	
13	DU 1910 05	Cable Throttle	1	
14	DZ 1910 35	Cable Throttle	1	Ref IB-96 14.02.2014
15	DD 1911 25	Cable starter	1	
16	39 1516 21	'O' ring	1	
17	39 0840 01	Screw	2	



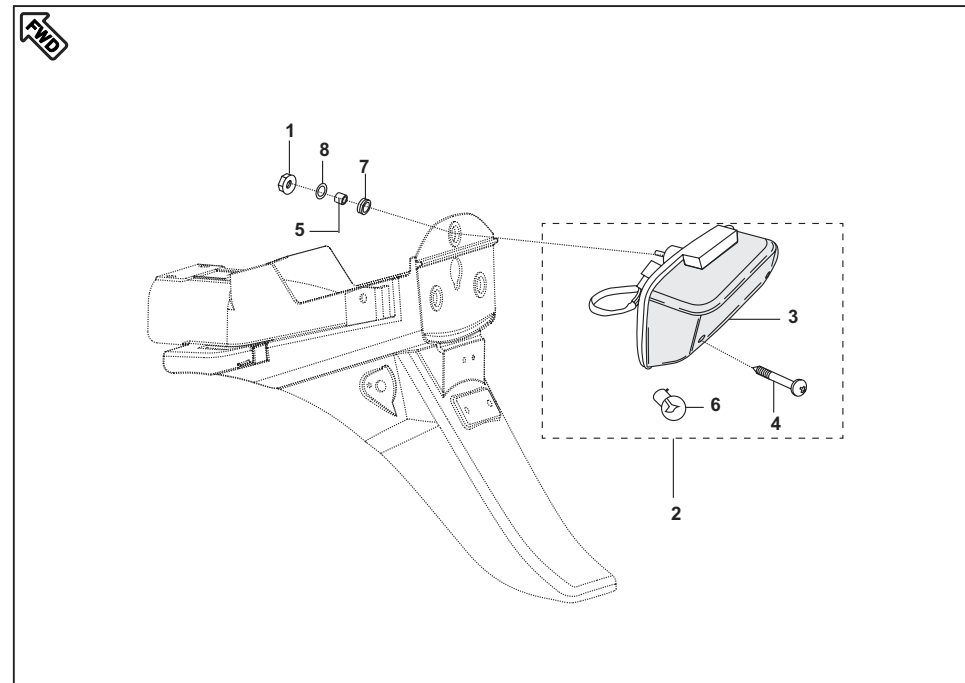
No.	Part No.	Description	Qty/ Veh.	Remarks
1	DU 2010 47	Head Light Assy./Lamp	1	Ref. Circular A-12
	DU 2011 08	Head Light Assy / without pilot bulb	1	
2	CL 2010 23	Lamp 12V-35/35W	1	
3	30 2010 29	Lamp 12V-4W	1	
4	DZ 1810 01	Flap Cowling	1	
5	DL 1810 10	Nut Well	4	
6	DL 1810 09	Screw	5	
7	39 2141 24	Washer (Non metallic)	9	
8	DD 1811 83	Bracket Cowling side	1	
9	DZ 1810 12	Bracket Fork side	1	
10	39 1942 04	Bolt Flanged Small	1	
11	39 0858 15	Hex. Nut / Flange	1	
12	39 1943 04	Hex. Bolt/ Flange	2	
13	DZ 1810 03	Bracket Cowling Upper	1	
14	DP 1810 40	Collar	2	
15	39 2585 01	Screw	2	
16	39 0813 02	Cross Rec.Pan Hd. Tp Screw	4	
17	DP 1810 63	Wind Shield/Label	1	
18	DL 1810 09	Screw SS	4	



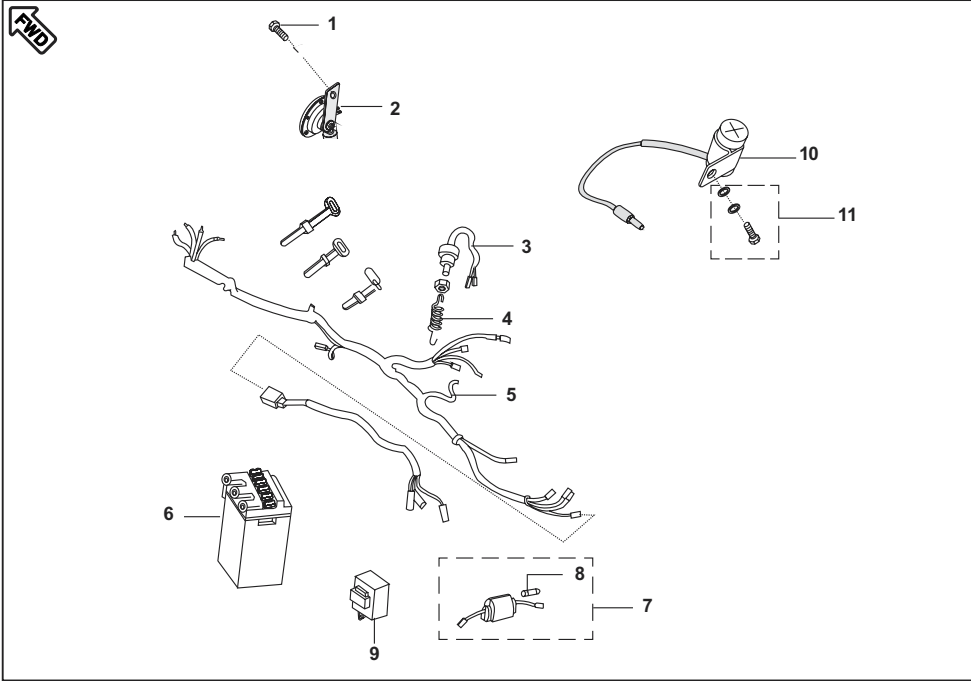
No.	Part No.	Description	Qty/ Veh.	Remarks
1	DZ 2010 11	Blinker Front LH (Clear Lens)	1	
	JK 4010 10	Blinker Front RH (Amber Lens)	1	
2	DZ 2010 12	Blinker Front RH (Clear Lens)	1	
	JK 4010 09	Blinker Front LH (Amber Lens)	1	
3	DZ 2010 13	Blinker Rear LH (Clear Lens)	1	
	JK 4010 07	Blinker Rear LH (Amber Lens)	1	
4	DZ 2010 14	Blinker Rear RH (Clear Lens)	1	
	JK 4010 08	Blinker Rear RH (Amber Lens)	1	
5	06 2010 83	Lamp 12 V 10 W (Clear Bulb)	4	
	GH 2010 12	Lamp 12 V 10 W (Amber Bulb)	4	
6	DZ 1810 02	Bracket Signal	1	
7	39 1970 15	Hex. Nut	2	



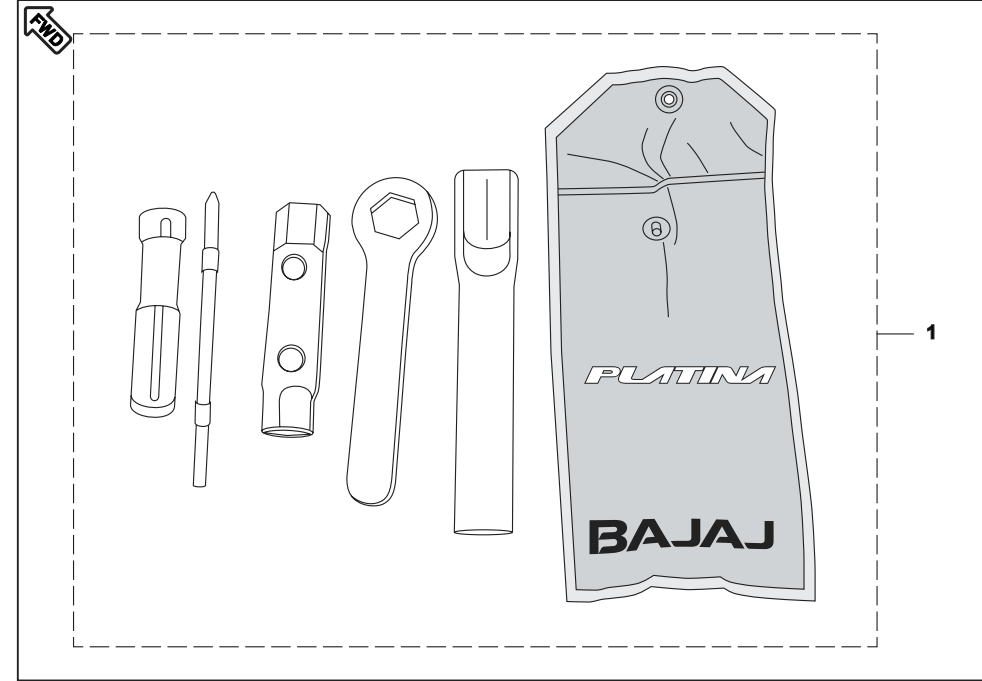
No.	Part No.	Description	Qty/ Veh.	Remarks
1	DP 1611 44	Front Number Plate	1	
2	DP 1810 21	Bracket Front No. Plate	1	
3	39 1783 01	Truss Screw	2	
4	39 0858 15	Square weld nut	2	
5	DF 1612 52	Number plate Rear Black	1	
6	DP 1611 01	Bracket No. Plate	1	
7	39 2483 04	Hex head bolt / Flange	2	
8	39 2407 01	Truss Screw	2	
9	DP 1611 00	Bracket Fender Rear	1	
10	DD 2010 02	Reflector Reflex	1	
11	39 1972 15	Flanged Nut	1	



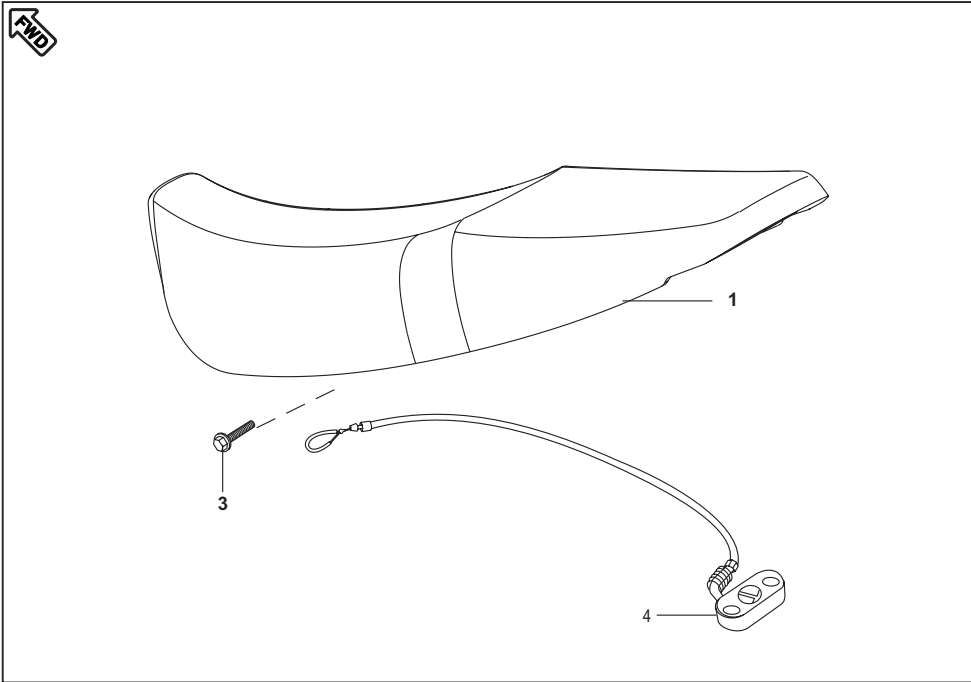
No.	Part No.	Description	Qty/ Veh.	Remarks
1	39 0817 15	Hex Nut / Flange	3	
2	DP 2010 30	Tail Light Assly. with lamp	1	
3	DP 2010 19	Lens Tail Light	1	
4	DD 2010 34	Screw For Lens	2	
5	DU 1410 27	Collar	3	
6	20 2010 29	Lamp 12 V, 21/5W	1	
7	31 2010 28	Lamp 10/5W	1	
8	DD 2010 11	Damper	3	
	DD 2010 44	Plain Washer	3	



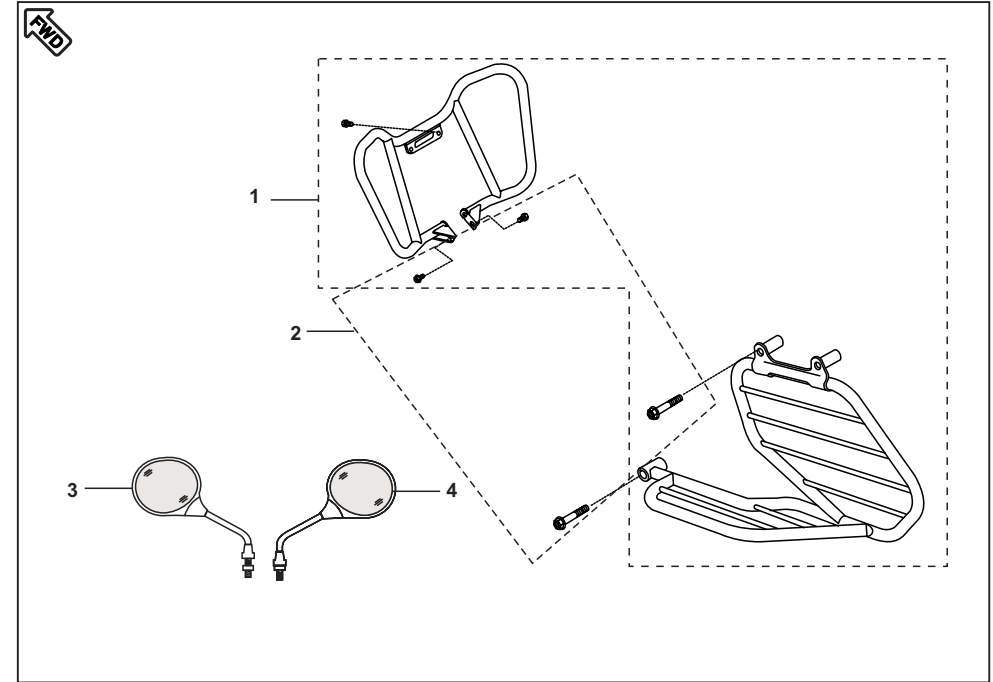
No.	Part No.	Description	Qty/ Veh.	Remarks
1	39 1940 04	Flanged Bolt	1	
2	JW 4016 00	Horn	1	
3	31 2010 79	Switch Rear Brake	1	
4	30 2010 74	Spring Brake Switch	1	
5	DZ 2010 01	Wiring Harness	1	with Pilot Lamp Coupler
	DZ 2010 39	Wiring Harness	1	Without Pilot Lamp Coupler
6	31 2010 27	Battery Dry	1	
7	DF 2011 29	Fuse - Assly.	1	
8	30 2010 85	Fuse, 15A	1	
9	DS 2010 25	Relay assly. DC flasher	1	
10	DU 2010 63	Capacitor Electrolytic	1	
11	39 1551 04	Hex Head Bolt / Flange	1	



No.	Part No.	Description	Qty/ Veh.	Remarks
1	DZ 2210 05	Tool Kit	1	



No.	Part No.	Description	Qty/ Veh.	Remarks
1	DZ 2110 01	Seat assly comp. with Damper	1	
	JK 1910 03	Seat assly	1	Alternate
2	DP 2110 09	Damper	9	N.I.
3	39 0743 01	Screw	1	
4	DP 1511 02	Lock Assly seat	1	



No.	Part No.	Description	Qty/ Veh.	Remarks
1	36 DZ00 05	Kit Leg / Saree guard	1	
	36 JK00 36	Kit Leg / Saree guard	1	Black
2	36 DZ00 06	Kit hardware Leg / Saree guard	1	
3	DJ 2210 03	Mirror Assly. LH	1	
4	DJ 2210 04	Mirror Assly. RH	1	
5	39 2205 04	Flange Bolt M8	2	For Black Color
6	JK 2312 04	Socket Head Bolt	1	For Black Color

## KIT LIST FOR PLATINA



Sr. No.	Kit Part No.	Kit Description	Consisting of Following Parts		
			Part No.	Description	Qty./Kit
1	36DU1001	O Ring Kit	39102021	O Ring	2
			39256921	O Ring	1
2	36311008	Collet Seal Oil Kit	31101019	Collet	4
			39103519	Oil Seal	2
			31101045	Seat Spring	2
3	36311028	Valve Kit	DD101134	Valve Intake	1
			DD101135	Valve Exhaust	1
4	36311006	Chain Guide Kit	31101026	Guide Chain RH	1
			31101025	Guide Chain LH	1
5	36DU1004	Gear Lever Spring Kit	31101055	Spring	1
			31101054	Spring	1
			DU101084	Spring	1
6	36DU1007	Boss Kick Kit	30101233	Boss Kick	1
			30101234	Spring	1
			30101236	Ball Steel	1
			30101235	Pin	1
			39085517	E - Type Circlip	1
7	36 DS18 02	Bearing Cone kit	DH181025	Bearing Cone	1
			DH181026	Bearing race	1
			DH181024	Upper Bearing Race	1
8	36DF1701	Rubber - Inner Bush Kit	30171030	Rubber Bush	4
			30171031	Inner Bush	4
9	36DS1502	Gear Meter Screw Kit	31151064	Speedo Gear (22T)	1
			30151041	Gear Meter Screw	1
10	36DZ0008	Gear Meter Screw Kit (for alloy wheel)	DL151014	Speedo Gear (22T)	1
			30151041	Gear Meter Screw	1
11	36DZ0002	Chain Sprocket Kit	DD151068	Chain	1
			DU151027	Sprocket	1
			DX101052	Sprocket 0/P	1
12	36DU1506	Rear Wheel Bearing Kit	39268220	Ball Bearing (6301RS1/C3)	1
			39136420	Ball Bearing (6201RS1/C3)	1
13	36DU1901	Cable Adjuster Kit	30191017	Nut	2
			DD191147	Screw	2
14	36DU1202	Idling Screw Kit	DU121024	Screw Idling (Stop Screw)	1
			DD121176	Spring - Idling Screw	1
15	DZ 1210 15	Air Control Screw Kit	DU121025	Screw - Air (Adjust)	1
			DD121178	Spring - Screw Air	1
16	36DU1204	Gasket O ring Kit for Carb.	DD121170	Gasket - Float Chamber	1
			DU121023	Gasket Top	1
17	36DU1205	Carburettor Float Pin Kit	DD121168	Valve complete Float	1
			DU121015	Float Complete	1

## KIT LIST FOR PLATINA



Sr. No.	Kit Part No.	Kit Description	Consisting of Following Parts		
			Part No.	Description	Qty./Kit
18	DZ 1210 18	Carburettor Holder/Jet Kit	DU121018	Needle Jet	1
			DZ121010	Holder - Needle Jet	1
			DZ121008	Main Jet	1
			DU121014	Slow Jet complete	1
			DU121021	Spring - Valve throttle	1
19	36DZ0003	Decal Set - Cocktail Wine Red	DZ141007	Tank Decal - LH	1
			DZ141008	Tank Decal - RH	1
			DZ161049	Cover Side Decal - LH	1
			DZ161050	Cover Side Decal - RH	1
			DZ181010	Cover Seat Decal - LH	1
			DZ181011	Cover Seat Decal - RH	1
20	36DZ0004	Decal Set - Long Beach Blue	DZ141005	Tank Decal - LH	1
			DZ141006	Tank Decal - RH	1
			DZ161047	Cover Side Decal - LH	1
			DZ161048	Cover Side Decal - RH	1
			DZ181008	Cover Seat Decal - LH	1
			DZ181009	Cover Seat Decal - RH	1
21	36DZ0001	Case Chain Kit	DZ161023	Upper Assly.	1
			DZ161027	Lower Assly.	1
22	36DZ0009	Case Chain Kit	DZ161058	Upper Assly.	1
			DZ161059	Lower Assly.	1
23	36DD4002	Kit Gasket	DD101007	Gasket Cyl. Block	1
			DD101343	Gasket Head	1
24	36DZ0005	Kit Leg/ Sari Guard	Dz221001	Guard Sari	1
			Dz221003	Guard- Leg	1

## AMENDMENT SHEET FOR PARTS ADDED



Sr.No.	Part No.	Description	Date	Page No.	Fig No.
1	Pa131204	Wheel Rim Alt for Jb131203	02.01.15	28	2
2	Dd111046	TPS Assly	30.03.15	16	16

## AMENDMENT SHEET FOR PARTS DELETED



Sr.No.	Part No.	Description	Qty.	Page No.	Fig No.



## PARTS INDEX



Part No.	Figure No.	Page No.
1100610	2	5
1170110	11	9
1170111	7	9
1170111	13	10
3150310	9	28
6201083	5	55
14151021	5	29
16151066	3	27
20201029	6	57
22150241	3	15
22150451	18	25
28101107	16	5
28101195	2	14
28101214	9	14
30101015	12	10
30101096	7	14
30101142	6	13
30101154	4	15
30141015	15	10
30141028	10	49
30141031	4	49
30141032	11	49
30141039	6	49
30141052	2	49
30151005	2	33
30151005	2	35
30151032	2	31
30151033	4	31
30151038	22	30
30151038	21	32
30151038	22	34
30151038	21	36
30151042	12	29
30151042	11	31
30151069	25	30

Part No.	Figure No.	Page No.
30151069	24	32
30151069	14	33
30151069	13	35
30151095	14	37
30151118	14	29
30151118	13	31
30151119	10	29
30151119	9	31
30151122	5	31
30161157	9	25
30161158	2	25
30171023	16	24
30171024	13	23
30181006	6	22
30181018	6	40
30181023	18	41
30181023	18	43
30181025	5	40
30181025	5	42
30181026	4	40
30181026	4	42
30181029	11	40
30181029	11	42
30181053	6	42
30191031	7	37
30191035	8	37
30191036	13	37
30191037	12	37
30191038	4	37
30191067	8	53
30191069	3	53
30191070	2	53
30191071	4	53
30191072	5	53
30201029	3	54

## PARTS INDEX



Part No.	Figure No.	Page No.
30201074	4	58
30201085	8	58
31101006	2	1
31101008	4	1
31101014	2	18
31101018	6	2
31101033	6	3
31101038	11	15
31101039	16	15
31101040	9	15
31101041	8	15
31101051	2	7
31101056	8	10
31101060	4	12
31101062	9	12
31101067	4	13
31101104	4	2
31101108	10	8
31101109	11	8
31101113	5	12
31101148	13	14
31101173	4	5
31101175	16	1
31101191	1	7
31101192	5	7
31101295	3	12
31111056	16	21
31111058	9	20
31151004	3	29
31151011	23	32
31151014	17	30
31151014	16	32
31151018	11	33
31151018	11	35
31151021	12	33

Part No.	Figure No.	Page No.
31151021	12	35
31151023	16	33
31151023	15	35
31151024	17	33
31151029	9	33
31151029	9	35
31151037	25	34
31151037	24	36
31151060	26	30
31151060	25	32
31151060	15	33
31151060	14	35
31161018	5	51
31181120	10	40
31191002	2	22
31191004	9	53
31201027	6	58
31201028	6	57
31201079	3	58
31201081	9	10
36311006	1	3
36311008	8	2
36311028	9	2
36314001	20	43
39019711	8	18
39019811	25	39
39021911	2	37
39024811	12	9
39024811	7	29
39024811	6	31
39029215	15	24
39029215	16	37
39042215	4	25
39042215	23	39
39045411	7	23

## PARTS INDEX



Part No.	Figure No.	Page No.
39055302	8	23
39070201	5	2
39070201	7	10
39070311	10	10
39070815	10	37
39071111	14	24
39071215	9	23
39071411	11	23
39071411	19	36
39072504	24	39
39073712	10	23
39073712	10	23
39073817	14	15
39074301	3	60
39074501	14	20
39074601	5	8
39074801	10	3
39075301	5	19
39076101	3	49
39078111	3	23
39078708	11	25
39078708	26	34
39078708	25	36
39078912	11	37
39078912	15	41
39078912	15	42
39079012	9	18
39079415	8	33
39079708	6	37
39079815	24	34
39079815	27	34
39079815	26	36
39080115	8	35
39080708	25	36
39080708	9	37

Part No.	Figure No.	Page No.
39080808	1	37
39081302	16	54
39081715	1	57
39084001	15	29
39084001	14	31
39084001	13	53
39084101	27	30
39085815	11	54
39085815	4	56
39090012	16	30
39090012	15	32
39093915	5	23
39097804	7	33
39098004	10	14
39098115	8	29
39098517	4	4
39098717	4	6
39098815	1	33
39098815	1	35
39099206	6	7
39099311	10	15
39099511	13	15
39099906	11	3
39099906	6	9
39099906	8	12
39099906	3	13
39099906	2	19
39100006	12	1
39100006	6	4
39100320	5	20
39100820	6	10
39101321	3	19
39101321	11	29
39101321	10	31
39101721	14	1

## PARTS INDEX



Part No.	Figure No.	Page No.
39101921	2	12
39102121	5	1
39102304	3	11
39102821	6	20
39104119	5	13
39104219	4	20
39104319	4	10
39105006	2	10
39105315	11	14
39105515	3	5
39105604	4	9
39106204	4	11
39106204	15	16
39106604	3	10
39106804	3	9
39107404	7	12
39107404	3	38
39107504	11	10
39107504	10	13
39107801	4	19
39108019	5	10
39118415	9	38
39122515	14	9
39128321	3	16
39130911	14	24
39151621	12	53
39151664	21	32
39155104	7	22
39155104	4	50
39155104	11	58
39155304	10	20
39155304	7	51
39165911	7	20
39167204	17	37
39167304	3	1

Part No.	Figure No.	Page No.
39167404	9	16
39168004	6	17
39169901	8	5
39178301	3	56
39179021	14	3
39181304	16	41
39181304	16	43
39186420	17	5
39186420	5	9
39194004	1	58
39194204	10	54
39194304	10	52
39194304	12	54
39197015	7	55
39197215	11	56
39198104	15	6
39199404	2	8
39204021	2	3
39213421	8	13
39214124	7	54
39214704	10	12
39217924	3A	49
39219908	14	5
39220011	12	5
39220504	5	61
39222204	8	22
39222204	4	26
39224020	4	33
39224020	4	35
39234501	10	18
39240320	12	14
39240701	8	56
39247404	8	8
39247504	3	50
39248104	7	25

## PARTS INDEX



Part No.	Figure No.	Page No.
39248104	16	25
39248304	7	56
39258501	15	54
39260011	3	14
39267504	14	18
39268020	1	29
39268120	4	29
39268120	3	31
39268820	1	31
39270204	9	22
39270411	12	8
39275821	4	49
59040017	16	22
59040018	10	22
59150003	7	31
59150003	21	34
59247915	11	22
36DD4002	13	1
36DD4002	3	4
36DD4008	6	14
36DF1701	12	23
36DS1502	13	29
36DS1802	5	22
36DS1802	20	41
36DU1001	9	1
36DU1004	3	8
36DU1007	2	15
36DU1202	7	16
36DU1204	5	16
36DU1205	6	16
36DU1506	10	33
36DU1506	10	35
36DU1901	16	39
36DZ0001	1	50
36DZ0002	12	6

Part No.	Figure No.	Page No.
36DZ0002	3	33
36DZ0002	3	35
36DZ0003	7	48
36DZ0004	7	48
36DZ0005	1	61
36DZ0006	2	61
36DZ0008	12	31
36DZ0009	1	50
36DZ0014	7	48
36DZ0016	7	48
36DZ0018	7	48
36DZ0024	7	48
36DZ0036	7	45
36DZ0037	7	45
36DZ0038	7	45
36DZ0039	7	45
36DZ0040	7	45
36DZ0041	7	45
36DZ0046	8	45
36DZ0047	8	45
36DZ0048	8	45
36DZ0049	8	45
36DZ0050	8	45
36DZ0051	8	45
36DZ0056	9	45
36DZ0057	9	45
36DZ0058	9	45
36DZ0059	9	45
36DZ0060	9	45
36DZ0061	9	45
52DD0359	6	44
52DD0359	6	47
52DF0020	16	24
52DF0021	13	23
52DU0104	1	8

## PARTS INDEX



Part No.	Figure No.	Page No.
52DU0239	10	1
52DU0240	17	1
52DU0249	3	12
52DZ0007	1	17
52DZ0015	6	44
52DZ0015	6	47
52DZ0016	6	44
52DZ0016	6	47
52DZ0019	1	10
52DZ0030	6	47
52DZ0061	6	47
CL201023	2	54
CM101128	12	18
CM101129	11	18
DD101014	2	4
DD101062	9	3
DD101106	7	8
DD101219	14	10
DD101228	11	1
DD101254	7	15
DD101264	6	15
DD101309	10	6
DD101318	15	20
DD101325	7	13
DD101347	6	1
DD101349	8	1
DD101350	7	1
DD101366	4	18
DD101440	7	2
DD101475	16	6
DD101481	15	1
DD101492	5	14
DD101493	8	14
DD101517	2	11
DD101521	18	1

Part No.	Figure No.	Page No.
DD111011	17	21
DD111012	18	21
DD111018	12	20
Dd111046	16	16
DD111048	2	20
DD121171	11	16
DD141024	1	49
DD141227	7	49
DD151008	19	30
DD151008	18	32
DD151009	20	32
DD151013	22	32
DD161053	14	22
DD181011	17	41
DD181011	17	43
DD181034	3	40
DD181069	3	40
DD181105	2	40
DD181183	8	54
DD181205	13	41
DD181205	13	42
DD181207	14	41
DD181207	14	42
DD191075	7	53
DD191125	11	53
DD191141	11	38
DD191142	12	38
DD191143	26	39
DD191144	15	38
DD201002	10	56
DD201011	7	57
DD201034	4	57
DD201044	8	57
DD201155	5	38
DD201170	13	38

## PARTS INDEX



Part No.	Figure No.	Page No.
DD70013N	1	10
DD70023N	7	3
DE181031	8	40
DE181031	8	42
DF101055	2	2
DF111015	1	20
DF111020	3	20
DF111040	13	20
DF121003	1	19
DF151003	2	29
DF161102	3	25
DF161168	15	22
DF161252	5	56
DF161413	5	25
DF161416	2	50
DF161425	6	25
DF181052	4	22
DF181085	12	40
DF181085	12	42
DF181090	3	22
DF181091	19	39
DF181092	20	39
DF201129	7	58
DG101498	9	9
DG121015	9	17
DG141019	1	51
DG161118	2	51
DG161121	4	51
DG161124	12	25
DG161166	2	17
DH101066	13	5
DH101067	15	5
DH101195	9	5
DH101430	5	4
DH101607	6	18

Part No.	Figure No.	Page No.
DH121101	13	16
DH121102	14	16
DH161178	17	25
DH161194	8	25
DH171019	20	36
DH191037	2	52
DJ151088	12	35
DJ161068	5	26
DJ221003	3	61
DJ221004	4	61
DL161048	1	25
DL181009	6	54
DL181009	18	54
DL181010	5	54
DL181080	1	40
DL181080	1	42
DL191012	6	38
DL191013	7	38
DL191014	8	38
DM101098	4	7
DM101099	8	7
DM101139	6	12
DM101140	9	13
DM121004	11	17
DM121007	10	17
DM151025	4	28
DM151027	6	28
DM151028	7	28
DM151029	1	27
DM171025	17	24
DM181036	7	40
DM181036	7	42
DP101155	13	6
DP101168	14	6
DP101340	7	7

## PARTS INDEX



Part No.	Figure No.	Page No.
DP101452	8	9
DP121007	5	17
DP121022	8	17
DP121025	13	49
DP121034	4	17
DP151018	5	15
DP151102	4	60
DP161006	2	26
DP161077	3	51
DP161082	1	26
DP161094	7	17
DP161094	3	26
DP161100	9	56
DP161101	6	56
DP161144	1	56
DP161168	9	51
DP171006	4	23
DP181021	2	56
DP181040	14	54
DP181063	17	54
DP191002	3	37
DP201019	3	57
DP201030	2	57
DP211009	2	60
DP231001	12	22
DS141009	1A	49
DS151047	9	27
DS151047	3	28
DS151048	6	27
DS151049	7	27
DS151049	5	28
DS151051	10	27
DS151052	11	27
DS151053	8	27
DS151053	8	28

Part No.	Figure No.	Page No.
DS151066	1	28
DS151066	2	28
DS151076	16	36
DS151090	2	35
DS151091	21	30
DS151094	18	30
DS151094	17	32
DS151094	24	34
DS151094	27	34
DS151094	23	36
DS151094	9	52
DS151095	20	30
DS151095	19	32
DS161125	5	26
DS201025	9	58
DU101005	1	5
DU101010	11	5
DU101011	6	6
DU101038	12	15
DU101041	7	5
DU101045	15	15
DU101050	1	15
DU101056	4	3
DU101057	2	16
DU101066	12	3
DU101067	13	3
DU101073	6	8
DU101074	4	8
DU101075	2	9
DU101080	7	6
DU101081	3	7
DU101083	9	7
DU101085	13	9
DU101092	13	8
DU101109	4	14

## PARTS INDEX



Part No.	Figure No.	Page No.
DU101185	9	8
DU101190	3	2
DU101191	1	2
DU101206	3	18
DU101213	11	6
DU101218	1	4
DU101220	1	9
DU101223	10	9
DU101225	3	3
DU121005	1	11
DU141027	8	51
DU141027	5	57
DU141041	8	49
DU151005	6	29
DU151009	13	33
DU151010	6	33
DU151010	6	35
DU151018	2	27
DU151025	4	27
DU151026	5	27
DU161032	10	25
DU161093	13	22
DU161094	13	22
DU181021	1	38
DU181067	19	41
DU181069	10	42
DU191003	14	38
DU191005	10	53
DU191006	6	53
DU191009	10	38
DU191013	7	53
DU191021	3	52
DU191023	4	52
DU191024	8	52
DU201018	4	38

Part No.	Figure No.	Page No.
DU201046	17	39
DU201047	1	54
DU201062	11	20
DU201063	10	58
DU201108	1	54
DU70013N	2	9
DU70023N	1	1
DX101035	14	14
DX101045	2	6
DX101046	1	6
DX101047	5	5
DX101048	3	6
DX101049	5	6
DX101050	9	6
DX101051	8	6
DX101053	10	5
DX101054	1	14
DX151018	20	34
DX151081	28	34
DX151081	27	36
DX161056	13	25
DZ101001	1	12
DZ101031	5	18
DZ101034	12	49
DZ101044	7	18
DZ101045	13	18
DZ101046	2	13
DZ101047	1	13
DZ101051	1	18
DZ101053	1	18
DZ101075	5	3
DZ111002	8	20
DZ111003	8A	20
DZ121003	3	17
DZ121006	1	16

## PARTS INDEX



Part No.	Figure No.	Page No.
DZ121011	12	16
DZ121013	10	16
DZ121015	8	16
DZ121018	4	16
DZ141040	5	49
DZ151002	5	33
DZ151002	5	35
DZ151003	23	34
DZ151004	19	34
DZ151004	18	36
DZ151010	18	34
DZ151012	9	29
DZ151014	8	31
DZ151018	7	35
DZ151019	5	35
DZ151020	18	36
DZ151020	22	36
DZ151021	17	36
DZ151027	23	30
DZ151030	22	32
DZ151031	15	37
DZ151038	18	34
DZ161033	14	25
DZ161034	15	25
DZ161041	2	44
DZ161042	3	44
DZ161054	1	22
DZ171007	2	23
DZ171009	6	23
DZ171014	1	23
DZ171015	1	23
DZ171016	17	24
DZ181001	4	54
DZ181002	6	55
DZ181003	13	54

Part No.	Figure No.	Page No.
DZ181004	14	49
DZ181004	6	51
DZ181004	11	52
DZ181012	9	54
DZ181013	19	41
DZ191001	3	37
DZ191004	5	37
DZ191005	1	52
DZ191008	7	52
DZ191009	5	52
DZ191010	9	49
DZ191010	6	52
DZ191013	1	53
DZ191014	7	53
DZ191035	10	53
DZ201001	5	58
DZ201011	1	55
DZ201012	2	55
DZ201013	3	55
DZ201014	4	55
DZ201019	9	49
DZ201039	5	58
DZ201044	4	38
DZ211001	1	60
DZ221005	1	59
DZ71052V	1	46
DZ71053A	1	46
DZ71053Q	1	46
DZ71053V	1	46
DZ71053W	1	46
DZ71054G	1	46
DZ71062V	1	44
DZ71063A	1	44
DZ71063E	1	44
DZ71063F	1	44

## PARTS INDEX



Part No.	Figure No.	Page No.
DZ71063W	1	44
DZ71064G	1	44
DZ73012V	2	46
DZ73013A	2	46
DZ73013Q	2	46
DZ73013V	2	46
DZ73022V	3	46
DZ73023A	3	46
DZ73023Q	3	46
DZ73023V	3	46
DZ73032V	4	47
DZ73033A	4	47
DZ73033Q	4	47
DZ73033V	4	47
DZ73033W	4	47
DZ73034G	4	47
DZ73132V	4	44
DZ73133A	4	44
DZ73133W	4	44
DZ73134G	4	44
DZ74012V	5	47
DZ74013A	5	47
DZ74013J	5	47
DZ74013Q	5	47
DZ74013V	5	47
DZ74013W	5	47
DZ74014G	5	47
DZ74032V	5	44
DZ74033A	5	44
DZ74033W	5	44
DZ74034G	5	44
FA101334	6	5
FD181012	9	40
FD181012	9	42
FD181019	21	39

Part No.	Figure No.	Page No.
FD181020	22	39
FD181030	2	38
FD181031	18	39
GH201012	5	55
JA131205	16	36
JA131606	9	31
JA131607	18	32
JB122011	11	23
JB131001	1	28
JB131018	3	23
JB131203	2	28
JB131222	2	28
JB131225	1	35
JB131605	25	34
JK121012	2	40
JK121012	2	42
JK121013	3	40
JK121013	3	42
JK121014	19	41
JK121014	19	43
JK122006	2	23
JK122007	9	23
JK122008	5	23
JK131016	14	29
JK131016	13	31
JK131018	15	29
JK131018	14	31
JK131021	1	28
JK131024	18	32
JK131025	24	30
JK131201	18	34
JK131202	5	33
JK131203	23	34
JK131204	19	34
JK131807	6	29

## PARTS INDEX



Part No.	Figure No.	Page No.
JK161001	3	37
JK161202	1	53
JK231004	6	61
JK231400	12	22
JK401007	3	55
JK401008	4	55
JK401009	2	55
JK401010	1	55
JK401402	4	38
JW401600	2	58
LAD00026	8	3
Pa131204	2	28
Pa401403	13	38

Part No.	Figure No.	Page No.
----------	------------	----------