

*Discover* 125M



*Discover* 125M

**Bajaj Auto Limited**  
Akurdi Pune 411 035 India  
Tel +91 20 27472851  
Fax +91 20 27407385  
[www.bajajauto.com](http://www.bajajauto.com)

# Spare Parts Catalogue



## Notice

*DISCOVER 125M*

---

All information contained in this manual is based on the latest product information at the time of publication. Bajaj Auto Limited accepts no liability for any inaccuracies or omissions in this publication, although every possible care has been taken to make it as complete and accurate as possible. All procedures and specifications subject to change without prior notice. The right is reserved to make such changes at any time without prior notice and without incurring an obligation to make such changes to product manufactured previously. Contact your authorized Bajaj Dealer for the latest information on product improvements incorporated after this manual was issued.

**DOC. NO.: 71111774**

**REV. 00, APR. 14**

Copy rights : All rights reserved. No part of this publicatin may be reproduced, stored in a retrival system, Or transmitted in any form or by any means, electronic mechanical photocopying, recording or otherwise, without the prior written permission of Bajaj Auto LTD.

---

## Foreword

**DISCOVER 125M**

We have pleasure in presenting the Spare Parts Catalogue for 'Discover 125M' Motorcycle. This catalogue has been specially designed to assist you in selecting the correct parts for procurement to maintain 100% availability.

The Bajaj spares are subjected to the stringent quality control standards to ensure longer life of the vehicle. It is therefore necessary that only the Genuine Bajaj Spares are used.

In a continual effort to improve Performance and Efficiency of the vehicles, Specifications, Diagrams, Illustrations and Part Numbers can change without notice. Consequently, the description in this Spare Parts Catalogue cannot therefore be final and binding on us.

The modifications / alterations which are carried out after the issue of this catalogue, will be conveyed to you through our Service Circulars. You are requested to make necessary corrections in the Parts Catalogue as per the circulars so as to keep your catalogue up-to-date. This will ensure the appropriate and speedy delivery of the Spare Parts as the order placed will bear the latest part numbers.

In case, if you need any technical assistance contact the concerned Regional Office or write to us on the following address :

**Bajaj Auto Limited**  
**Service Department**  
Akurdi, Pune 411 035 India  
Phone : 020-27406557  
Fax : 020-27407385

## Instructions

**DISCOVER 125M**

- 1. How to Read the Catalogue :** Open the catalogue and from the pictorial index locate the group in which the part you want to find is present. Turn over to the concerned page number (as given by pictorial index). Now find out the figure of the part you wish to order. Write down the part number against that particular figure number from the text.

In case, if you have the part number and you need the other details, the part index can be used. The part index (at the end of the catalogue) will give you the figure and page number of the part you wish to order.

- 2. How to Order Spare Parts :** The part number and the description of the part required should be invariably mentioned in the order as per the catalogue text.

The latest part number as conveyed through our service circulars should only appear on the order. In case of ordering painted components, colour shade of the components should be mentioned.

The quantity shown against the part number is the quantity per vehicle for that group so that particular quantity should be multiplied by the number of sets required.

- 3. Part Number System :** We have used 8 digit system for part numbers. The model or hardware item is indicated by first two digits or alphanumeric, the next two or four digits indicate main group and the last four or two digits indicate serial number in main group or serial number or subgroup of fastener respectively. Thus the part numbers will be indicated by 2-2-4 or 2-4-2 digit system. Understanding this system will enable you to identify the spare parts easily.

- 4. Abbreviations :** The following abbreviations are used in this catalogue.

Assly	Assembly	V	Volts
N.I.	Not illustrated	W	Watts
C'case	Crankcase	Accl.	Accelerator
Cyl	Cylinder	Comp.	Complete
O/s	Over size	Fr.	Front
Rr.	Rear	Std.	Standard
L	Length	A/t.	Alternate
R.H.	Right hand	L.H.	Left hand
Hex.	Hexagonal	AR	As required

## Index

*DISCOVER 125M*

Plate No.	Description	Page No.
1	Cover Cylinder Head	2
2	Cylinder Head	4
3	Valve	6
4	Camshaft / Tensioner	8
5	Cylinder and Piston	10
6	Crankshaft	12
7	Transmission	14
8	Change Drum / Shift Fork	16
9	Gear Change Mechanism	18
10	Engine Assly / Crankcase RH	20
11	Crankcase LH	22
12	Oil Pump	24
13	Kick Starter Mechanism	26
14	Cover Clutch	28
15	Cover Magneto	30
16	Clutch Assly	32
17	Carburettor Assembly	34
18	Air Cleaner Complete	36
19	Silencer Assly	38
20	Starter Assly	40
21	Magneto, C.D.I. & H.T. Coil	42
22	Seat Assly / Seat Lock	44
23	Engine Mountings	46
24	Frame and Frame Fitting	48
25	Swing Arm/Rear Shock Absorber	50
26	Rider Foot Rest	52
27	Mudguard- Front & Rear	54
28	Stand Assembly	56
29	Tyre/ Tube / Rim	58
30	Front Hub (Drum brake)	60

## Index

*DISCOVER 125M*

Plate No.	Description	Page No.
31	Front Hub (Disc Brake)	62
32	Front Master Cylinder (Disc Brake)	64
33	Front Caliper Assembly (Disc Brake)	66
34	Rear Hub	68
35	Rear Brake Pedal	70
36	Handle Bar Assly	72-74
37	Front Fork	76
38	Painted Parts & Decals	78-82
39	Petrol Tank, Cap Tank & Gauge Fuel	84
40	Fittings - Petrol Tank, Side Cover & Cover Seat	86
41	Meter Assly.	88
42	Control Cables	90
43	Chain Case	92
44	Head Lamp & Fairing	94
45	Indicator Light Assly.	96
46	Tail Lamp Assly. / Front No. Plate	98
47	Electrical Equipments	100
48	Tool Kit	102
49	Accessories / Grab Handle	104

# Pictorial Index

*DISCOVER* 125M

PLATE NO. : 1 COVER CYLINDER HEAD	PAGE NO. 1
--------------------------------------	---------------

PLATE NO. : 2 CYLINDER HEAD	PAGE NO. 3
--------------------------------	---------------

PLATE NO. : 3 VALVE	PAGE NO. 5
------------------------	---------------

PLATE NO. : 4 CAMSHAFT / TENSIONER	PAGE NO. 7
---------------------------------------	---------------

# Pictorial Index

*DISCOVER* 125M

PLATE NO. : 5 CYLINDER & PISTON	PAGE NO. 9
------------------------------------	---------------

PLATE NO. : 6 CRANKSHAFT	PAGE NO. 11
-----------------------------	----------------

PLATE NO. : 7 TRANSMISSION	PAGE NO. 13
-------------------------------	----------------

PLATE NO. : 8 CHANGE DRUM / SHIFT FORK	PAGE NO. 15
---	----------------

# Pictorial Index

*DISCOVER* 125M

PLATE NO. : 9  
GEAR CHANGE MECHANISM

PAGE NO.  
17



PLATE NO. : 10  
ENGINE ASSLY & CRANKCASE RH

PAGE NO.  
19

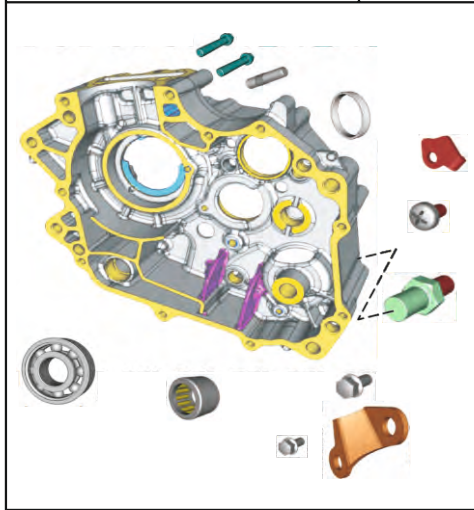


PLATE NO. : 11  
CRANKCASE LH

PAGE NO.  
21

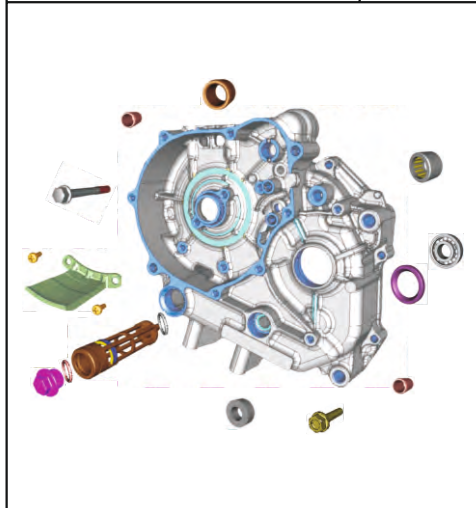
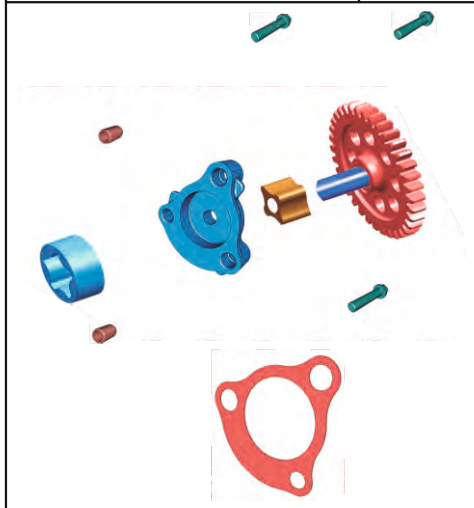


PLATE NO. : 12  
OIL PUMP

PAGE NO.  
23



# Pictorial Index

*DISCOVER* 125M

PLATE NO. : 13  
KICK STARTER MECHANISM

PAGE NO.  
25

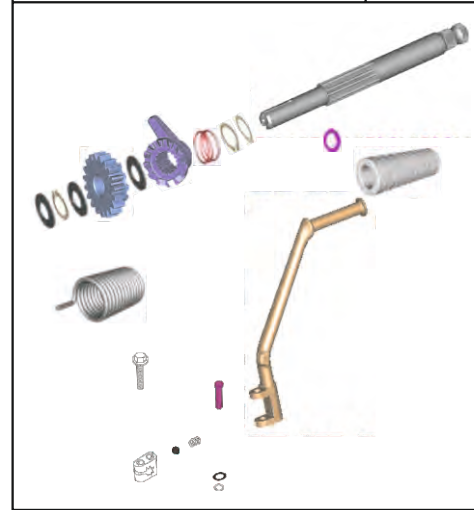


PLATE NO. : 14  
COVER CLUTCH

PAGE NO.  
27

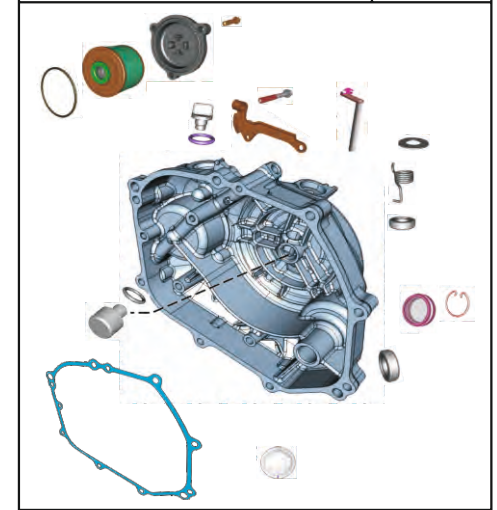


PLATE NO. : 15  
COVER MAGNETO

PAGE NO.  
29

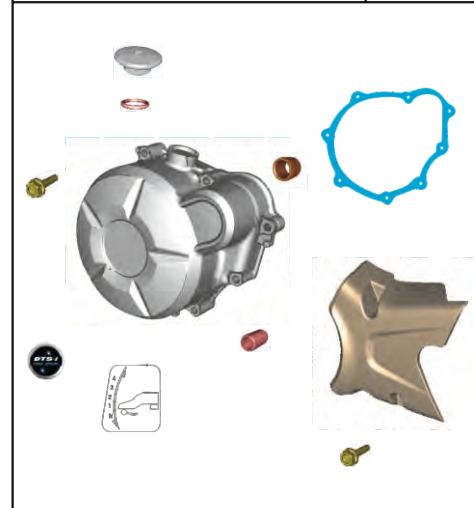
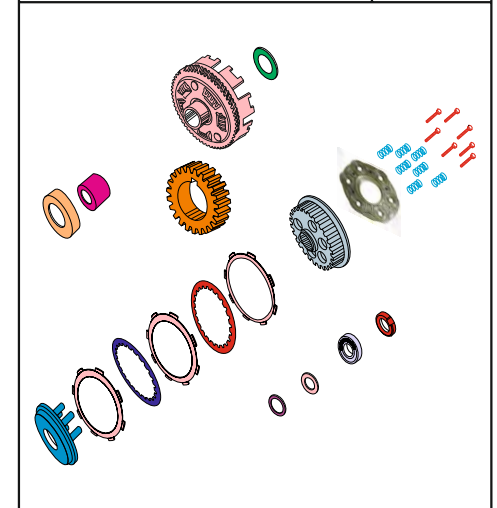


PLATE NO. : 16  
CLUTCH ASSLY

PAGE NO.  
31



# Pictorial Index

*DISCOVER 125M*

PLATE NO. : 17 CARBURETTOR - 100 M	PAGE NO. 33

PLATE NO. : 17 CARBURETTOR - 125 M	PAGE NO. 35

PLATE NO. : 18 AIR CLEANER COMPLETE	PAGE NO. 37

PLATE NO. : 19 SILENCER ASSLY	PAGE NO. 39

# Pictorial Index

*DISCOVER 125M*

PLATE NO. : 20 STARTER ASSLY	PAGE NO. 41

PLATE NO. : 21 MAGNETO, C.D.I. & H.T. COIL	PAGE NO. 43

PLATE NO. : 22 SEAT ASSLY / SEAT LOCK	PAGE NO. 45

PLATE NO. : 23 ENGINE MOUNTINGS	PAGE NO. 47

# Pictorial Index

*DISCOVER* 125M

PLATE NO. : 24  
FRAME AND FRAME FITTING

PAGE NO.  
49

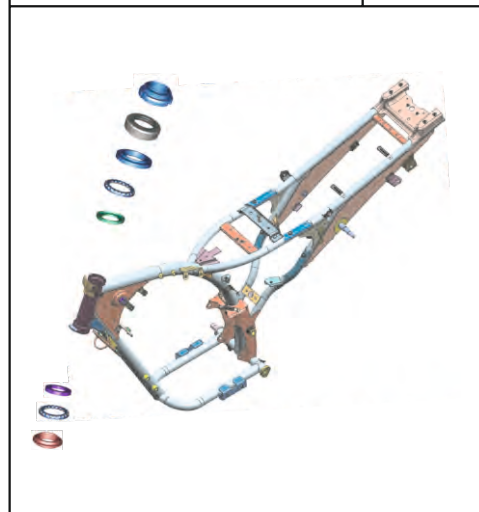


PLATE NO. : 25  
SWING ARM/REAR SHOCK ABSORBER

PAGE NO.  
51

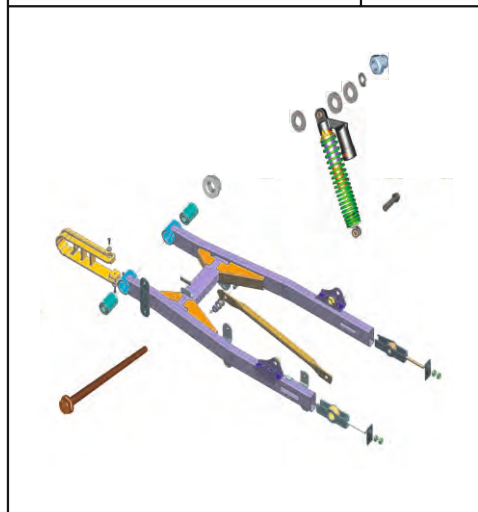


PLATE NO. : 26  
RIDER FOOT REST

PAGE NO.  
53

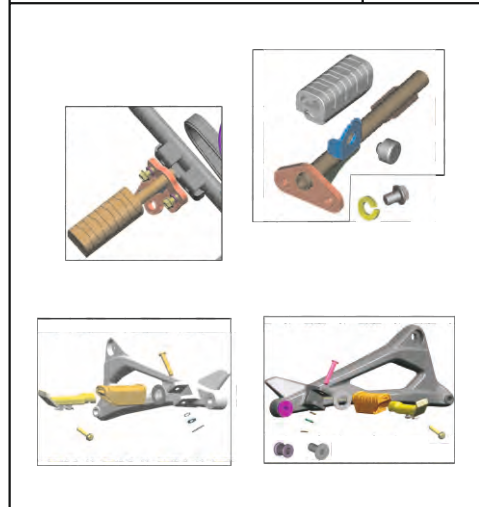
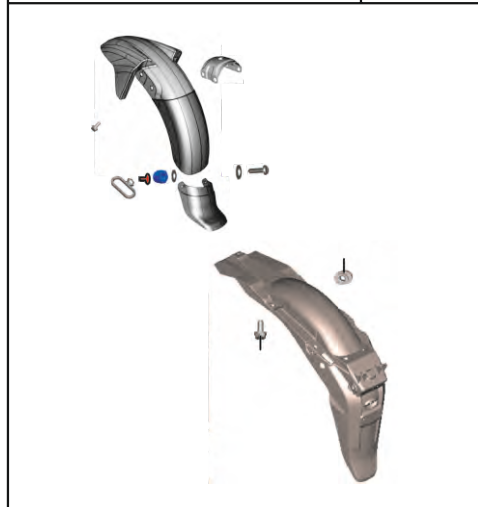


PLATE NO. : 27  
MUDGUARD- FRONT & REAR

PAGE NO.  
55



# Pictorial Index

*DISCOVER* 125M

PLATE NO. : 28  
STAND ASSEMBLY

PAGE NO.  
57

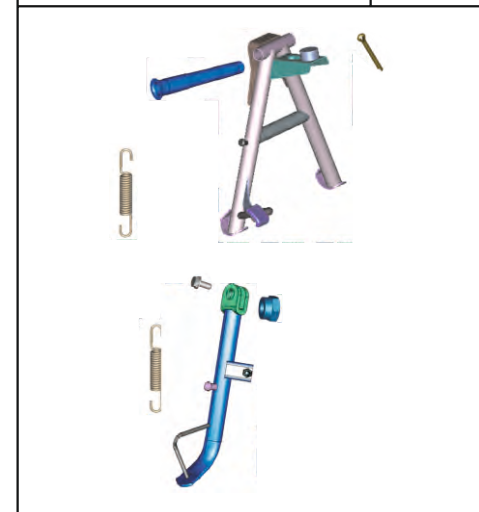


PLATE NO. : 29  
TYRE/ TUBE / RIM

PAGE NO.  
59

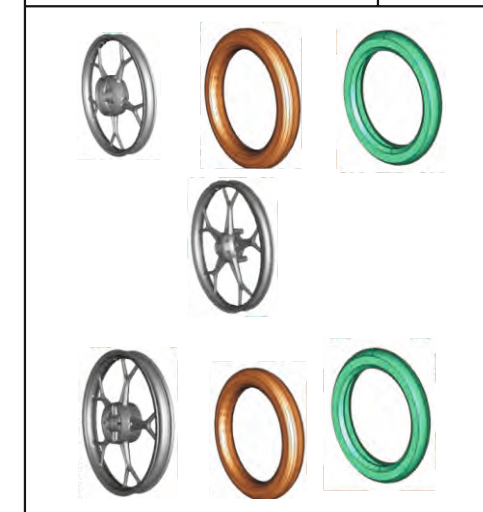


PLATE NO. : 30  
FRONT HUB (DRUM BRAKE)

PAGE NO.  
61



PLATE NO. : 31  
REAR HUB (DISC BRAKE)

PAGE NO.  
63





# Pictorial Index

**DISCOVER 125M**

PLATE NO. : 32  
FRONT MASTER CYLINDER  
(DISC BRAKE)

PAGE NO.  
65

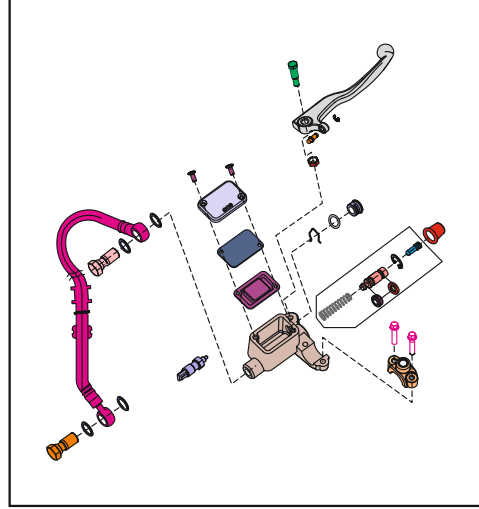


PLATE NO. : 33  
FRONT CALIPER ASSLY (DISC BRAKE)

PAGE NO.  
67

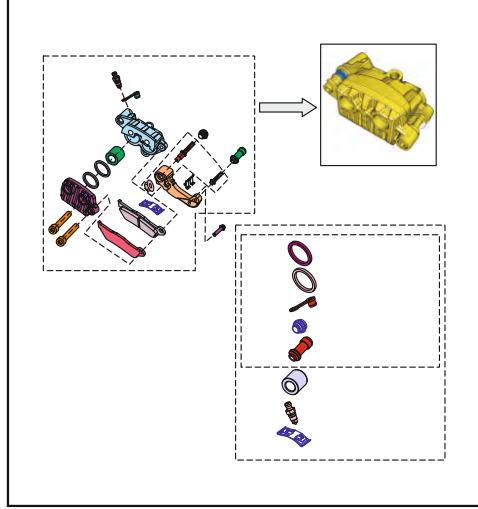


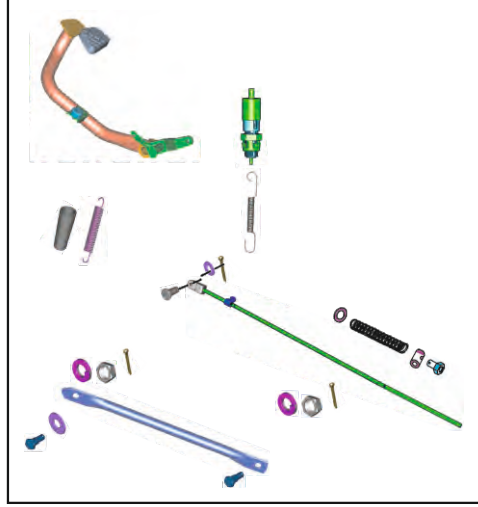
PLATE NO. : 34  
REAR HUB

PAGE NO.  
69



PLATE NO. : 35  
REAR BRAKE PEDAL

PAGE NO.  
71



# Pictorial Index

**DISCOVER 125M**

PLATE NO. : 36  
HANDLE BAR ASSLY

PAGE NO.  
73, 75

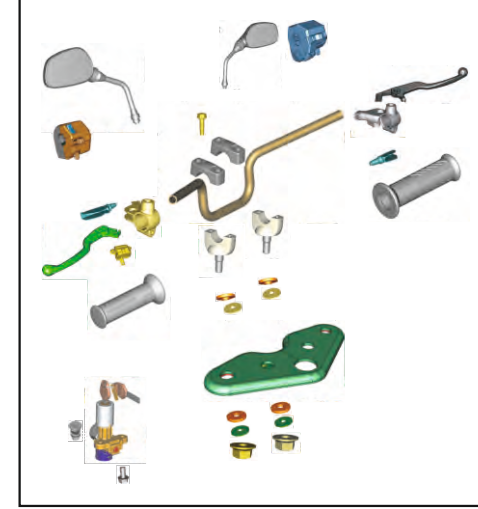


PLATE NO. : 37  
FRONT FORK

PAGE NO.  
77



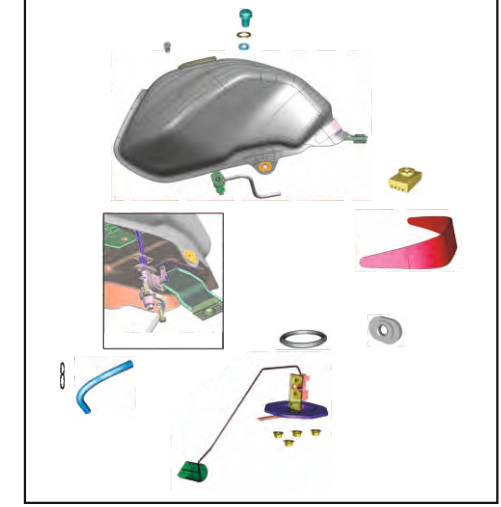
PLATE NO. : 38  
PAINTED PARTS & DECALS

PAGE NO.  
81, 83



PLATE NO. : 39  
PETROL TANK, CAP TANK & GAUGE  
FUEL

PAGE NO.  
85



# Pictorial Index

*DISCOVER 125M*

PLATE NO. : 40  
FITTINGS - PETROL TANK, SIDE  
COVER & COVER SEAT

PAGE NO.  
87

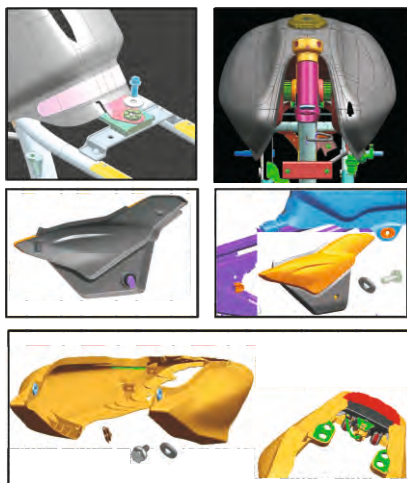


PLATE NO. : 41  
METER ASSLY.

PAGE NO.  
89



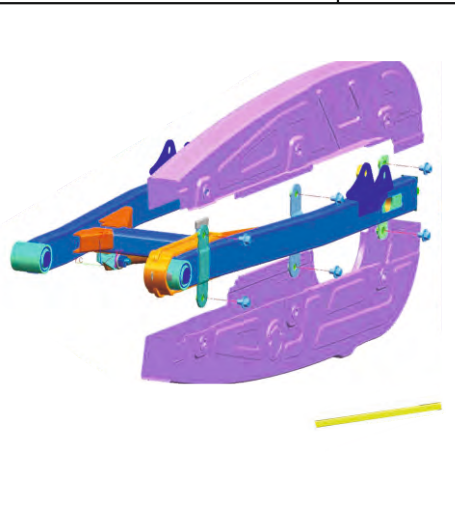
PLATE NO. : 42  
CONTROL CABLES

PAGE NO.  
91



PLATE NO. : 43  
CHAIN CASE

PAGE NO.  
93



# Pictorial Index

*DISCOVER 125M*

PLATE NO. : 44  
HEAD LAMP & FAIRING

PAGE NO.  
95

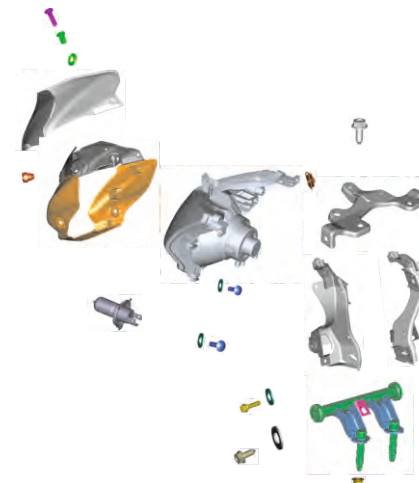


PLATE NO. : 45  
INDICATOR LIGHT ASSLY.

PAGE NO.  
97



PLATE NO. : 46  
TAIL LAMP ASSLY. / FRONT  
NUMBER PLATE

PAGE NO.  
99

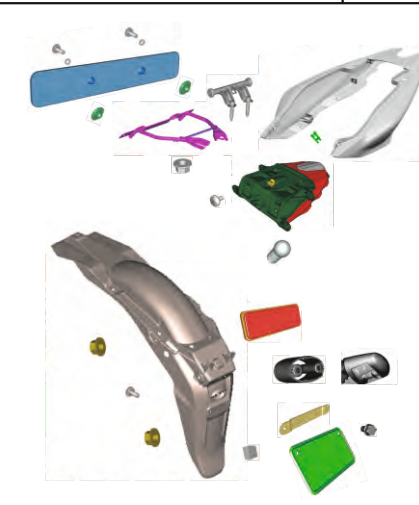
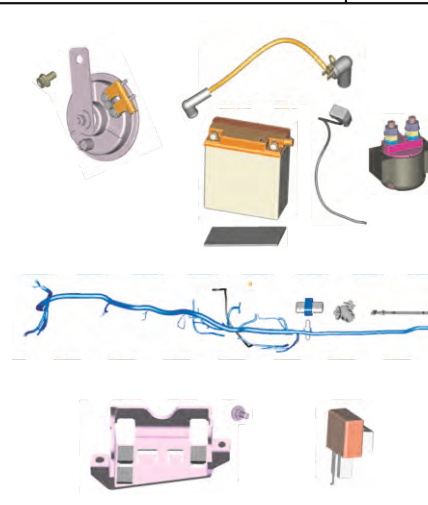


PLATE NO. : 47  
ELECTRICAL EQUIPMENTS

PAGE NO.  
101



# Pictorial Index

*DISCOVER* 125M

PLATE NO. : 48  
TOOL KITA

PAGE NO.  
103

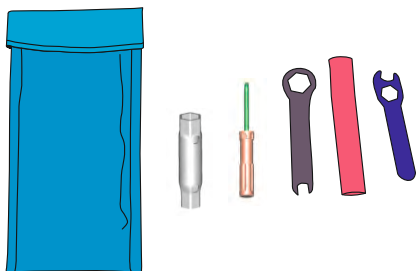


PLATE NO. : 49  
ACCESSORIES / GRAB HANDLE

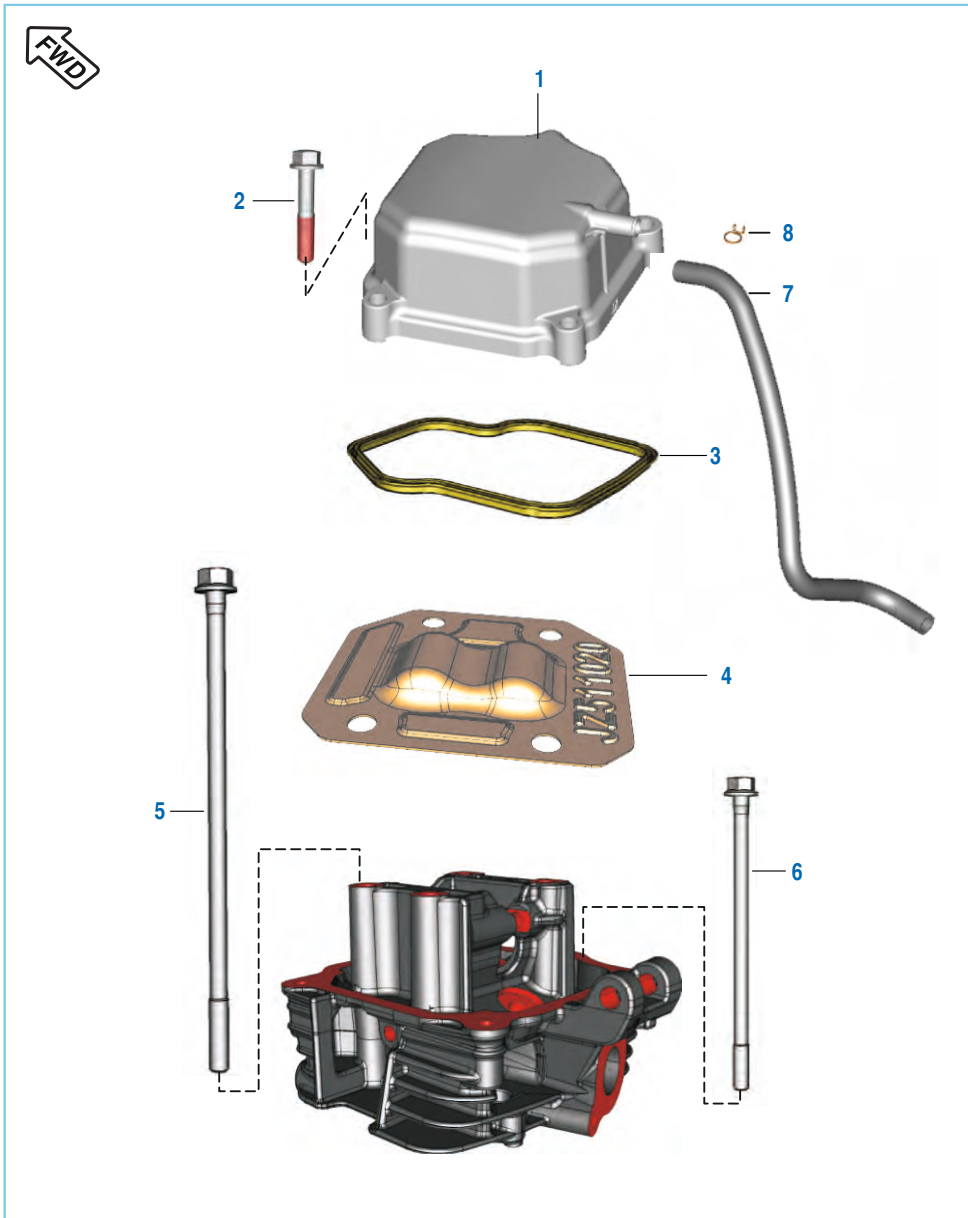
PAGE NO.  
105



# Pictorial Index

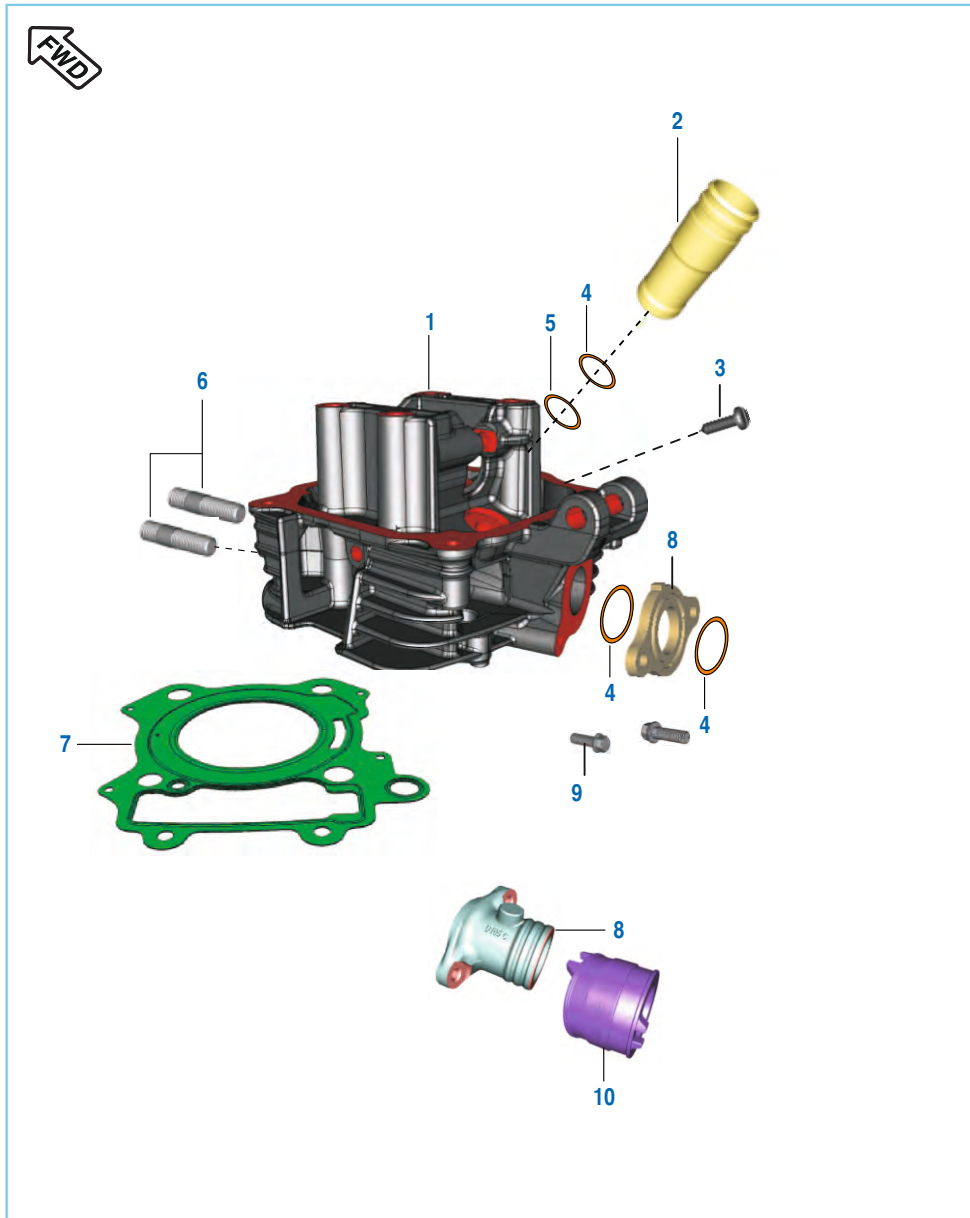
*DISCOVER* 125M

Cover Cylinder Head



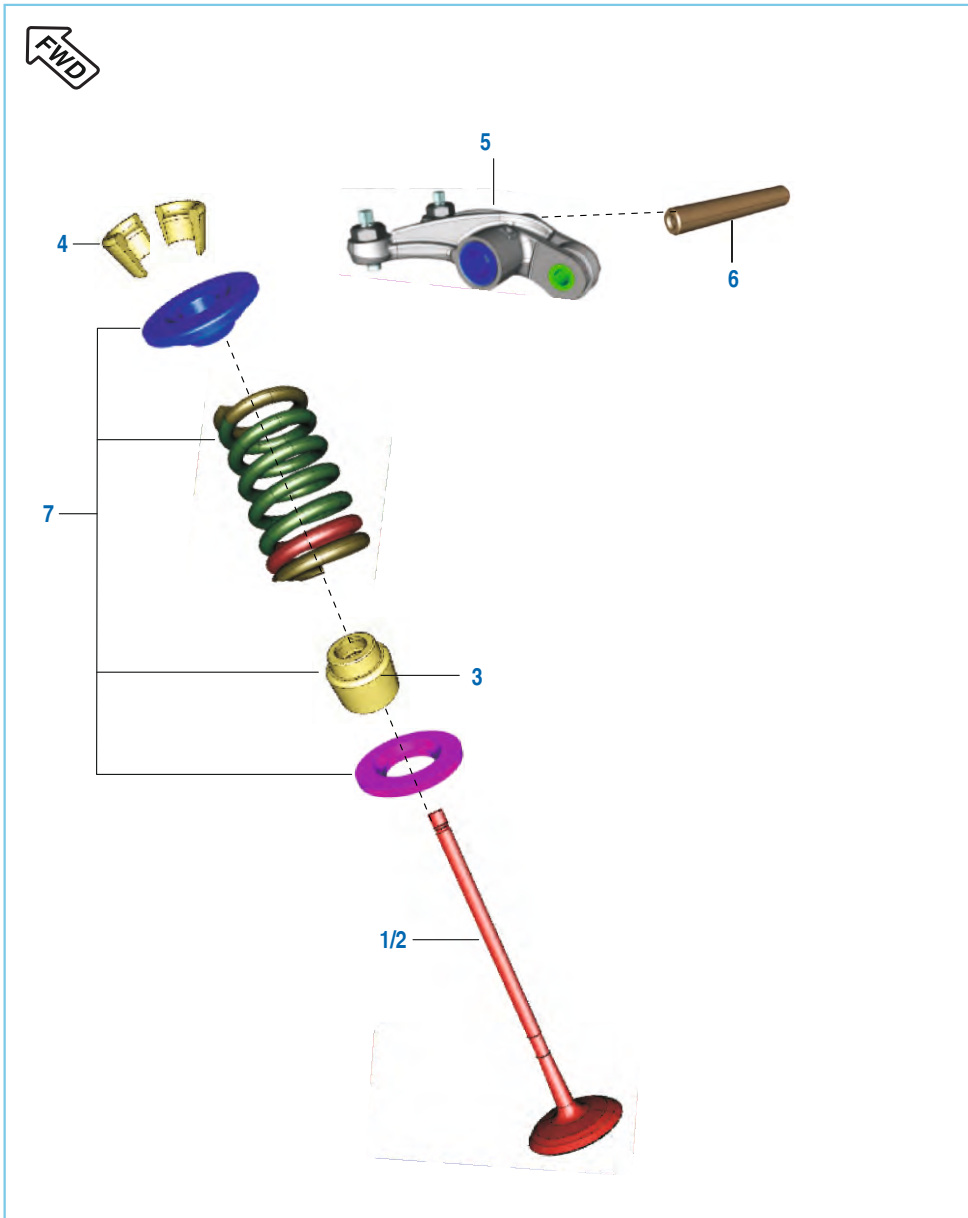
No.	Part No.	Description	Qty.	Remarks
1	JZ 5110 21	Cylinder Head Cover Comp	1	With Gasket
2	59 0400 38	Bolt	4	
3	JD 5110 10	Gasket Head Cover	1	
4	PA 5110 39	Plate Cylinder Head	1	
5	JA 5110 08	Bolt Head Mounting	4	
6	PF 5110 21	Bolt Head M8*142	1	
7	PA 5810 34	Tube Breather	1	
8	DG 1210 25	Clamp	2	N.S

Cylinder Head



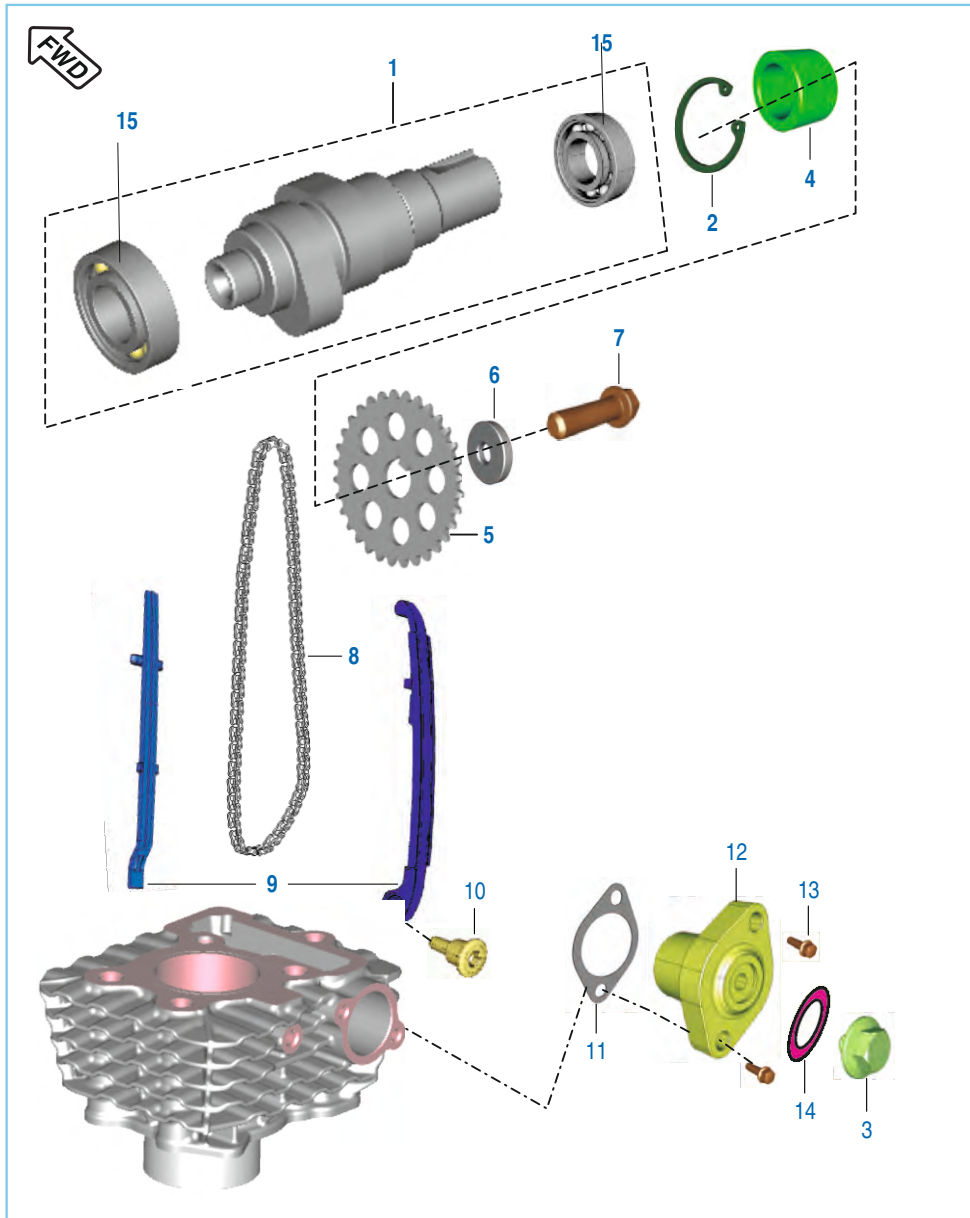
No.	Part No.	Description	Qty.	Remarks
1	36 JZ00 79	Kit Assly Cylinder Head	1	
2	JD 5110 04	Sleeve Spark Plug	1	
3	39 2608 01	Screw - Grub - M5X0.8X7	1	
4	39 1283 21	Ring - 'O'	3	
	39 2539 21	O-Ring	1	
5	39 2629 21	O-Ring	1	
6	JA 5110 28	Stud M8X1.25X451	2	
7	JD 5110 08	Gasket Cylinder Head	1	
8	PA 5814 09	Manifold Intake	1	
9	JA 5814 06	Bolt Flange M6X1X25L	2	
10	PA 5812 25	Sleeve Carburettor	1	
11	AA 1210 71	Clamp Carburettor Duct	1	NI

Valve



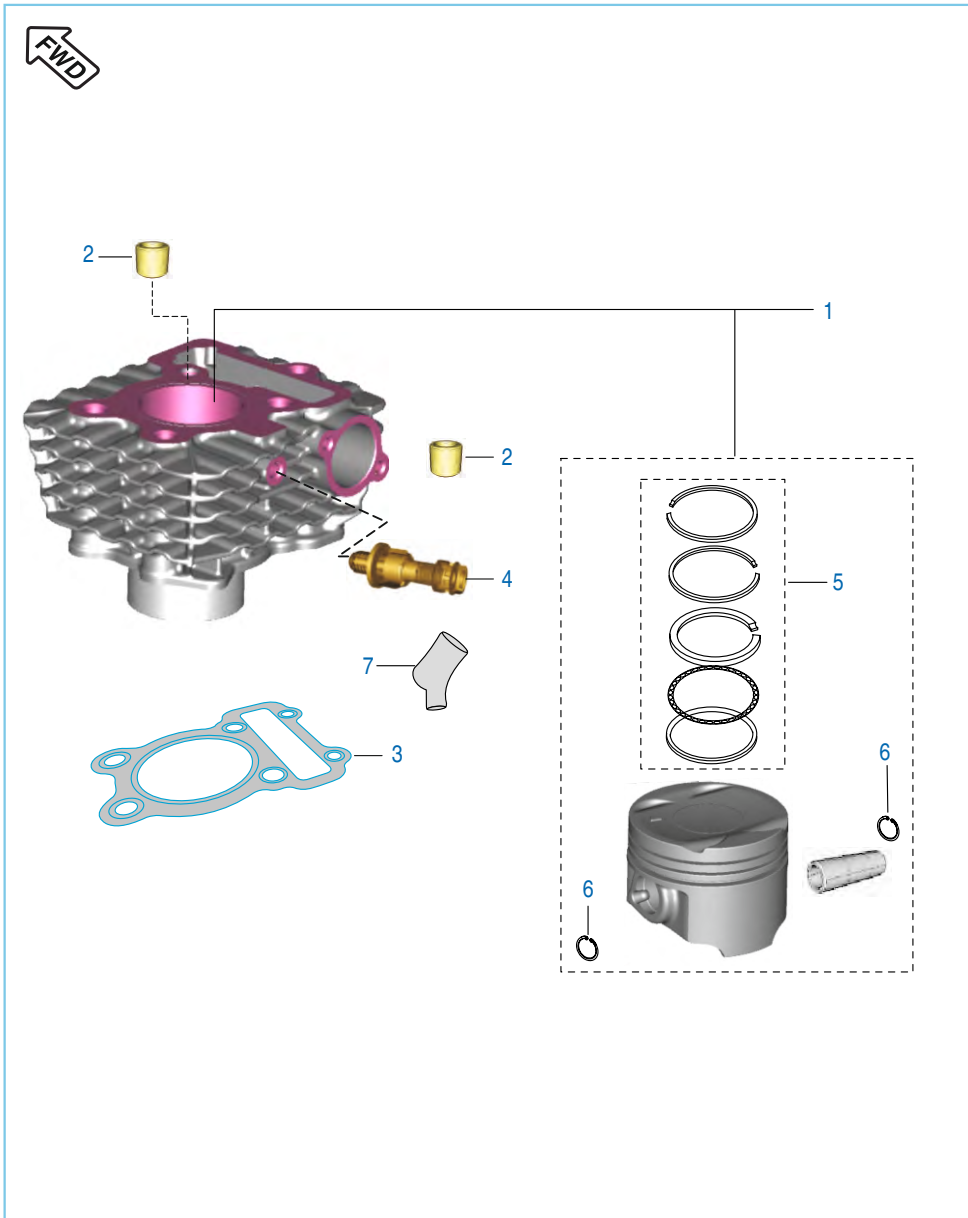
No.	Part No.	Description	Qty.	Remarks
1	JE 5112 00	Valve Intake	1	
2	JE 5112 01	Valve Exhaust	1	
	36 JZ01 02	Valve Kit (Intake + Exhaust)	2	
3	39 2017 19	Seal - Oil	4	
4	DG 1010 29	Collet	8	
5	JE 5112 04	Assly Rocker Arm	2	
6	JD 5112 09	Shaft Rocker Arm Intake	2	
7	36 JE00 01	Kit Valve Repair	2	

Camshaft / Tensioner



No.	Part No.	Description	Qty.	Remarks
1	PA 5112 46	Camshaft Assly	1	
2	39 0594 17	Circlip - Internal	1	
3	JA 5210 18	Bolt Tensioner	1	N.S
	DD 1010 62	Bolt Tensioner	1	alt for JA521018
4	JA 5112 16	Spacer Cam Sprocket	1	
5	DS 1012 76	Sprocket - Cam Driven 32 Teeth	1	
6	DH 1010 48	Washer- Special: Camshaft	1	
7	59 0400 31	Bolt Hex Socket Head Cap	1	N.S
	DK 1013 86	Bolt Hex Socket Head Cap	1	alt for 59040031
8	JE 5112 30	Cam Chain (Straight)	1	
9	36 PA01 15	Kit Chain Guide (Straight)	1	
10	DH 1013 92	Tensioner Pivot Bolt	1	
11	CS 1011 28	Gasket	1	
12	JE 5210 16	Chain Tensioner	1	
13	JA 5210 19	Bolt	2	N.S
	39 1673 04	Bolt	2	alt for JA521019
14	39 2669 21	Ring - 'O' (ID 10.15X1.5)	1	
15	JE 5110 49	BEARING CAM SHAFT D102C	2	

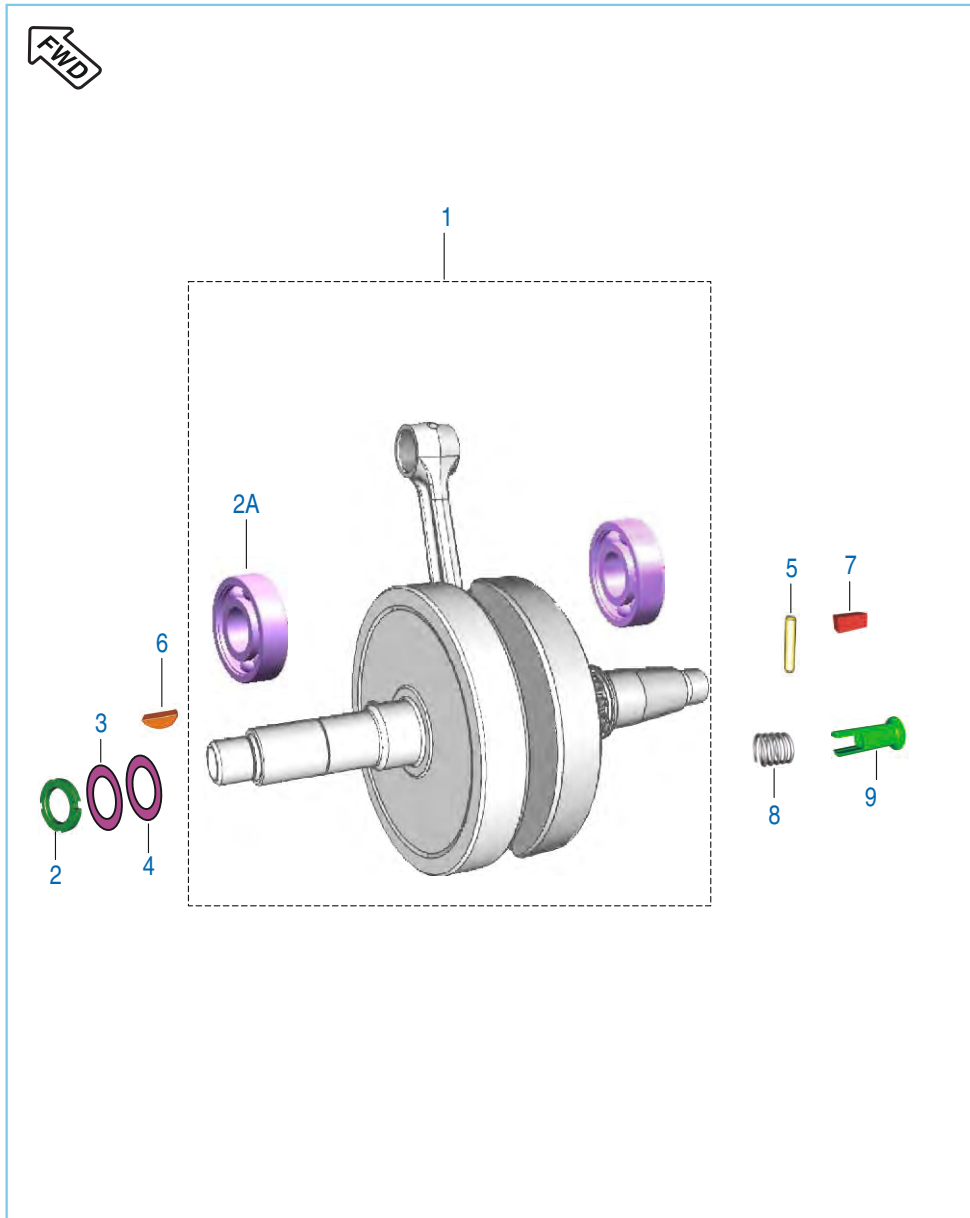
Cylinder and Piston



No.	Part No.	Description	Qty.	Remarks
1	36 JZ00 74	Kit Block Piston	1	
2	39 1000 06	Pin - Hollow Dowel	2	
3	JD 5210 02	Gasket Cylinder Block	1	
4	JW 3514 00	Thermal Sensor	1	
5	36 JE00 02	Kit Piston Ring	1	
6	DP 1011 65	Pin Snap	2	
7	JB 4022 02	Grommet - Thermal sensor	1	

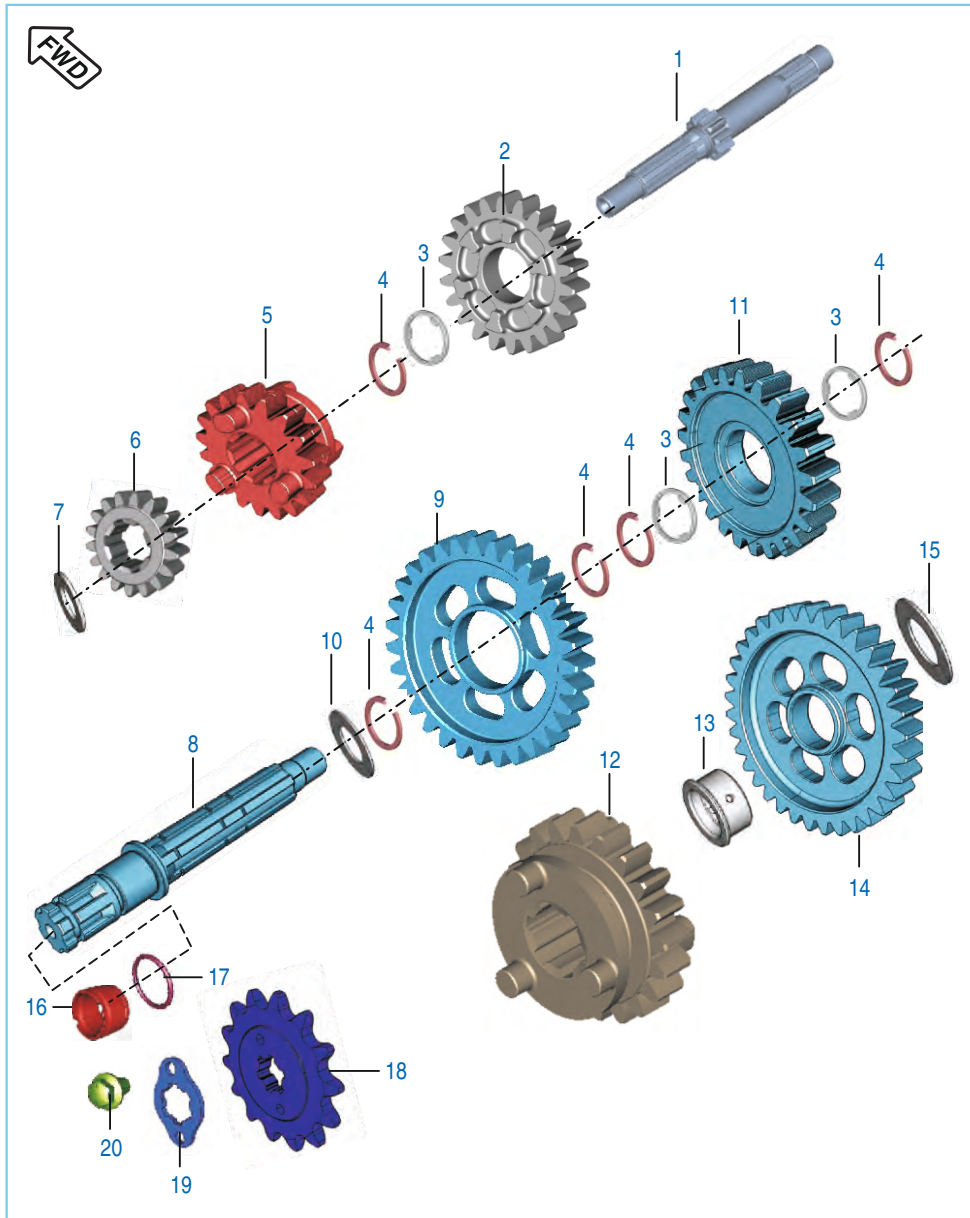


Crankshaft



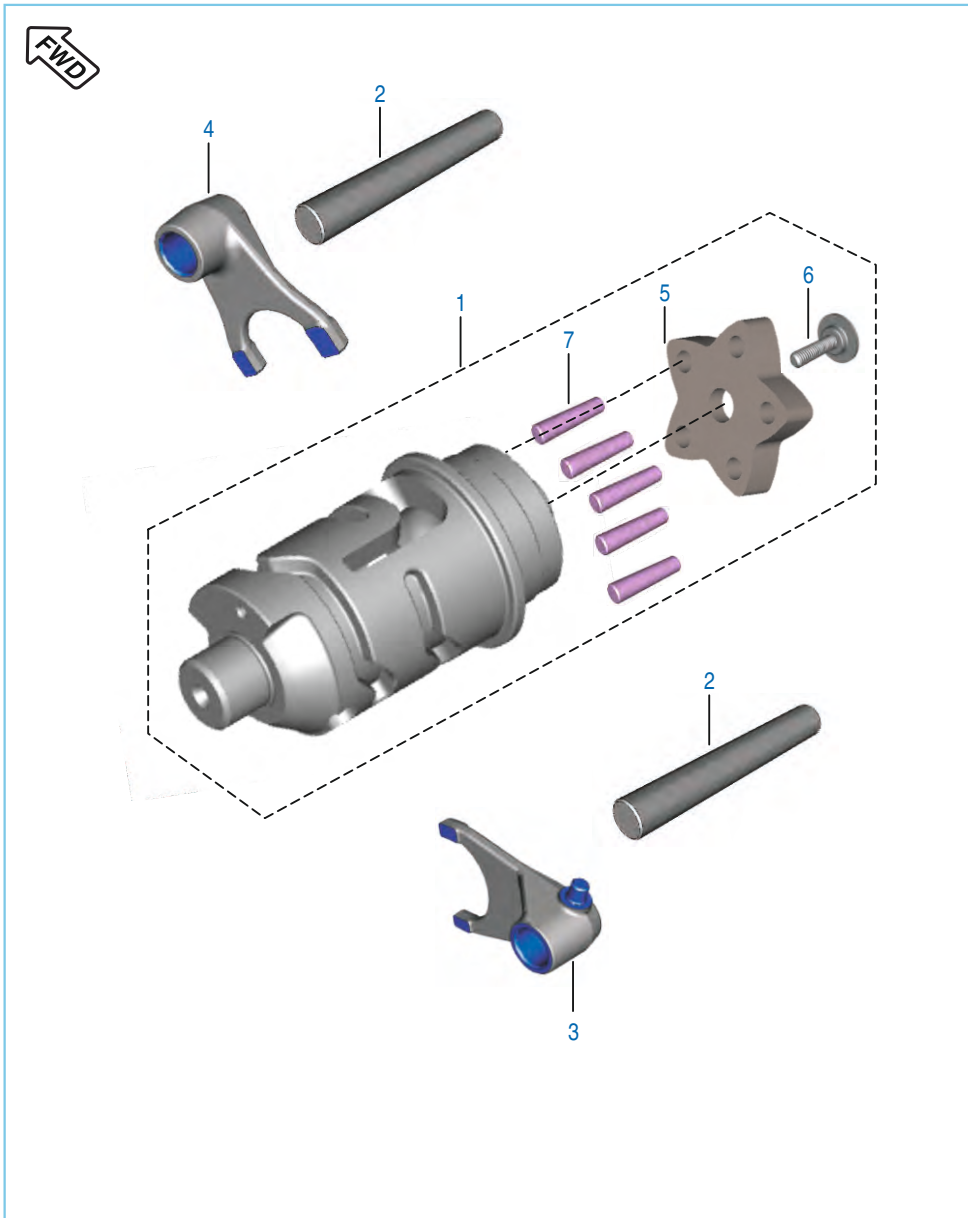
No.	Part No.	Description	Qty.	Remarks
1	PA 5310 29	Crankshaft Assembly	1	
2	59 1500 14	Nut Flange	2	
2A	JE 5310 01	Bearing Ball	2	
3	59 1200 03	Washer Belleville	2	
4	59 1100 08	Washer	1	
5	JA 5310 15	Pin(C/S Plunger)	1	
6	31 1011 73	Key -Woodruff	1	
7	DS 1011 54	Key	1	
8	JA 5310 12	Spring	1	
9	JB 5310 21	Plunger Oil Crankshaft	1	

Transmission



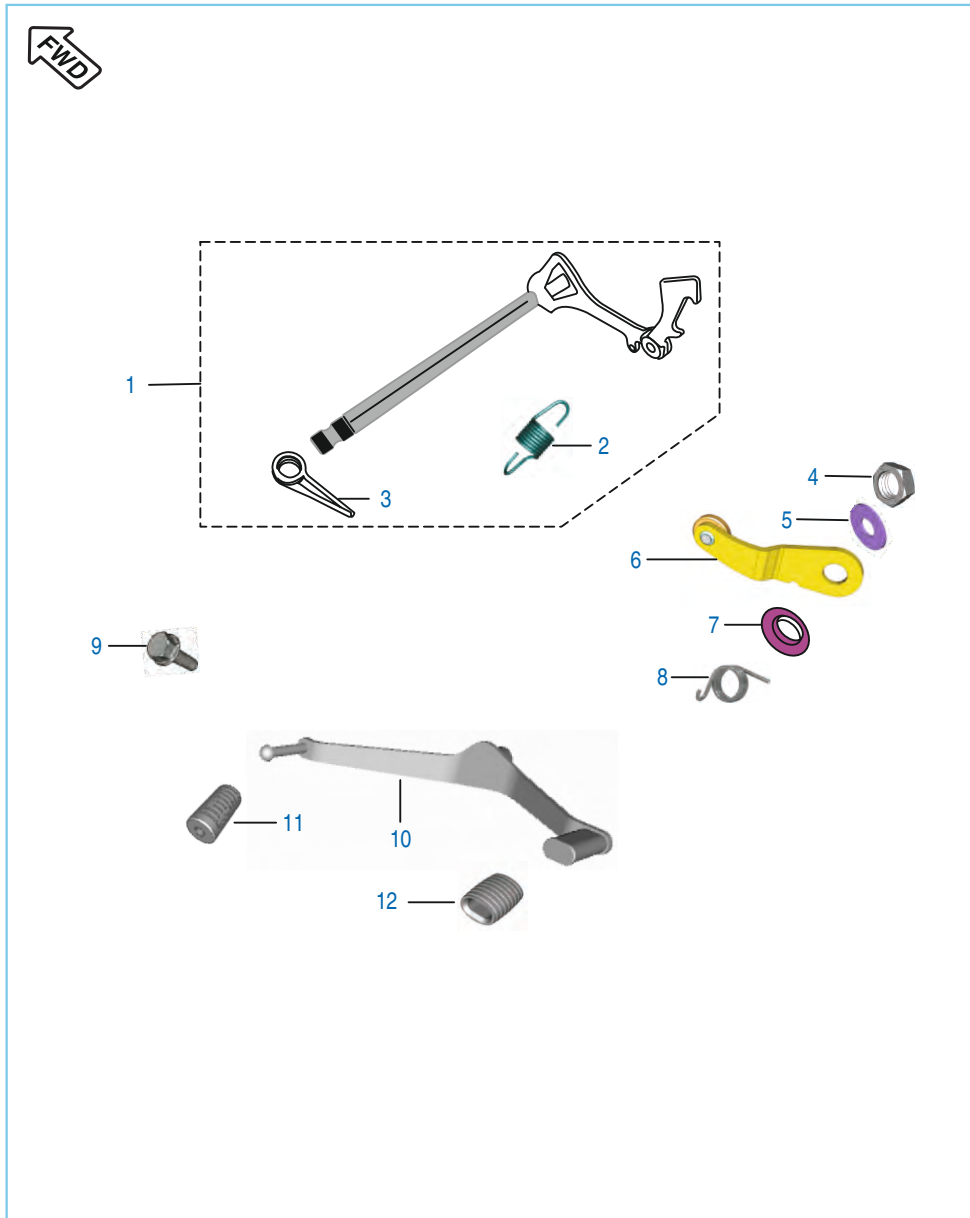
No.	Part No.	Description	Qty.	Remarks
1	PA 5510 02	Shaft Input	1	
2	PA 5512 07	Gear 4th Drive	1	
3	JA 5510 02	Spline Washer	3	
4	39 0987 17	Ring - Snap	5	
5	PF 5512 01	Gear 3rd Drive	1	
6	PF 5512 00	Gear 2nd Drive	1	
7	JA 5510 04	Washer Thrust 2nd Drive	1	
8	PF 5510 03	Shaft Output	1	
9	PF 5512 03	Gear 2nd Driven	1	
10	PF 5512 06	Washer Gear 2nd Driven	1	
11	PF 5512 04	Gear 3rd Driven	1	
12	PA 5512 06	Gear 4th Driven		
13	JZ 5512 05	Bush 1st Driven	1	
14	PA 5512 05	Gear 1st Driven	1	
15	JA 5510 08	Washer Thrust	1	
16	JA 5510 09	Collar Sprocket Drive	1	
17	59 2100 24	'O' Ring	1	
18	JZ 5510 04	Sprocket Output	1	N.S
19	DU 1012 13	Plate Lock-sprocket output	1	
20	39 1981 04	Bolt Flanged	1	

Change Drum / Shift Fork



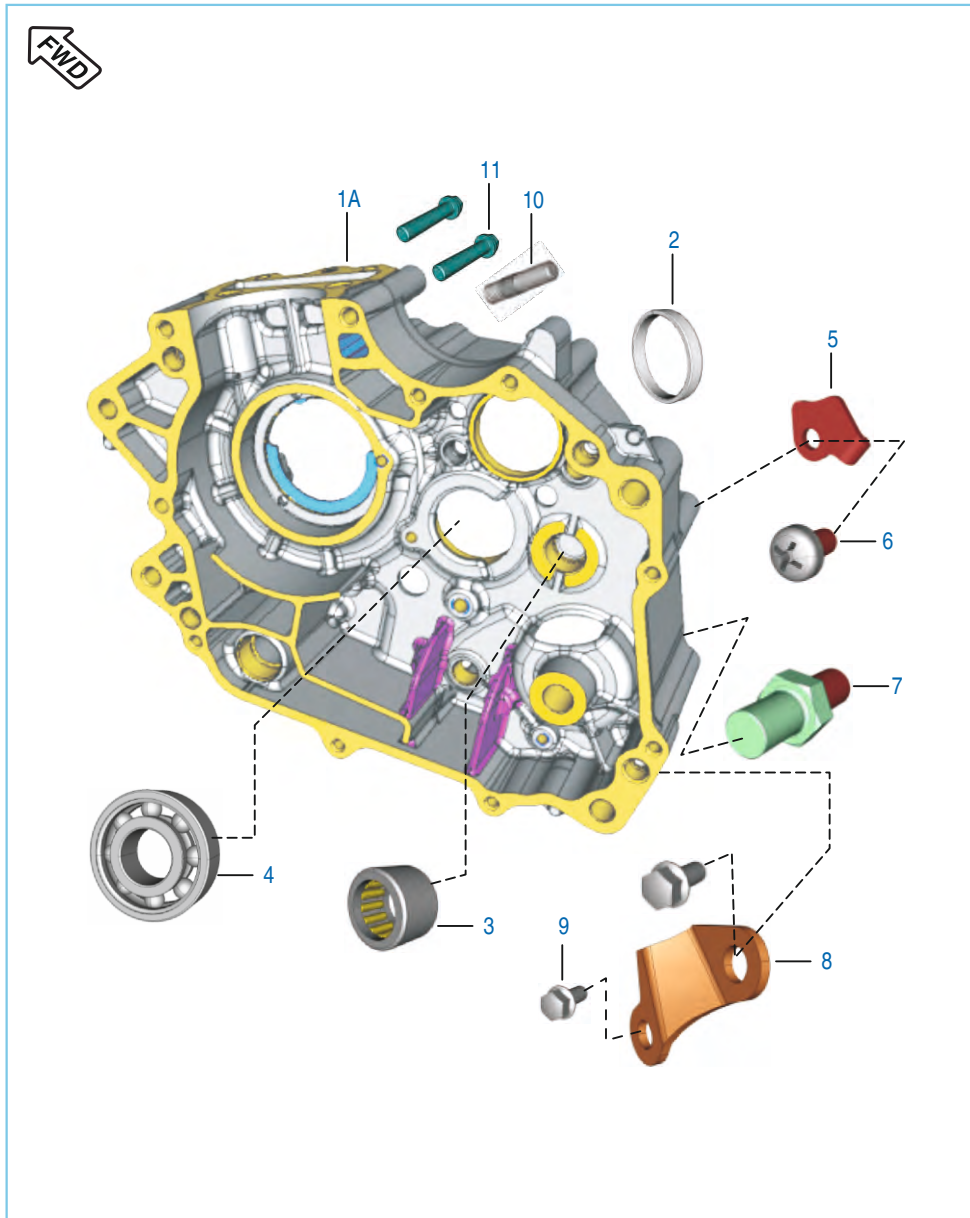
No.	Part No.	Description	Qty.	Remarks
1	PA 5610 05	Assly Drum Gear Shift	1	
2	PF 5610 02	Shaft Gear Fork Shift	2	
3	JD 5610 04	Fork Gear Shift Output	2	
4	JZ 5610 02	Fork Input Disco-H	1	
5	JA 5610 02	Cam Drum Change	1	
6	JD 5610 11	Special bolt	1	
7	39 0992 06	Dowl	5	

Gear Change Mechanism



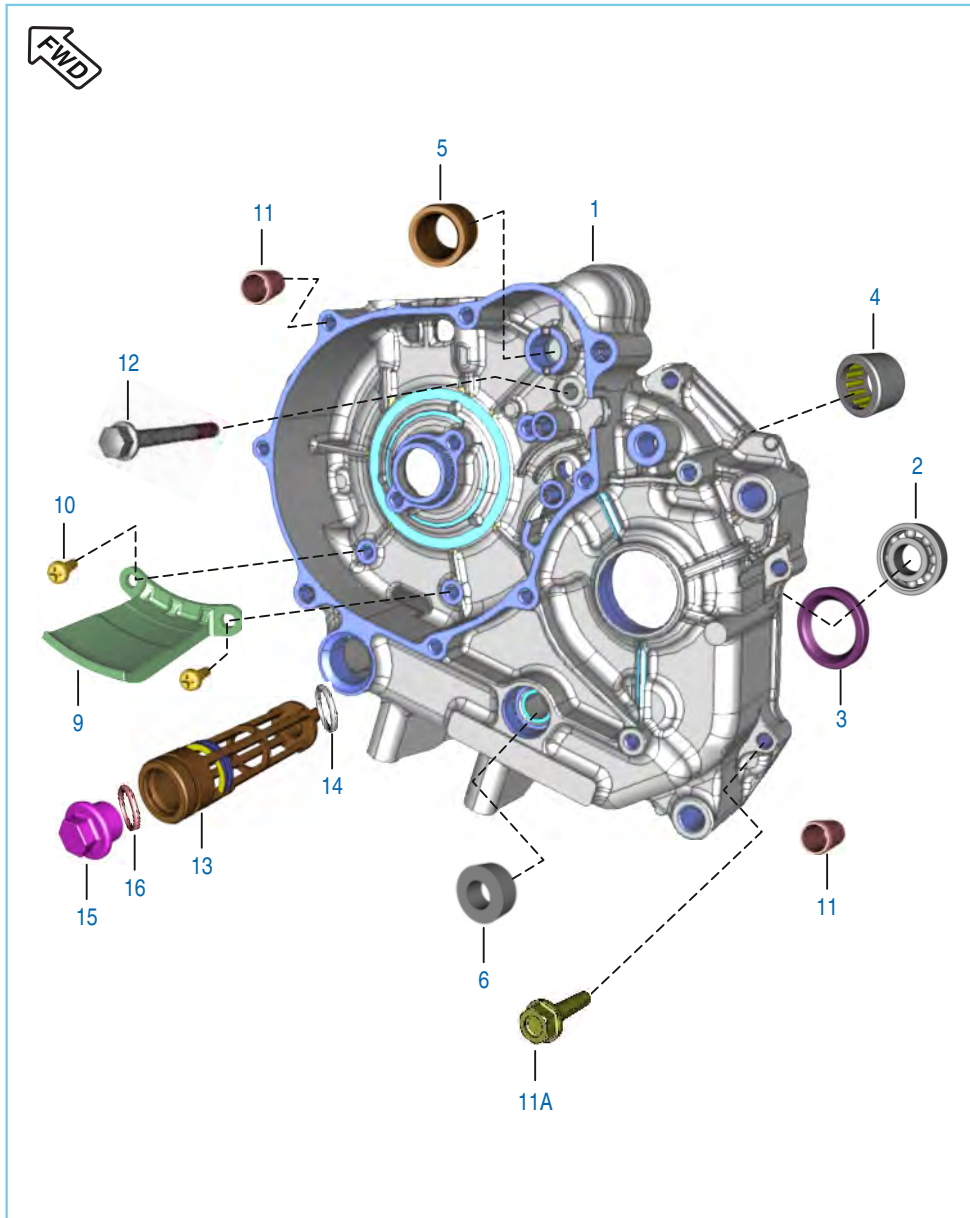
No.	Part No.	Description	Qty.	Remarks
1	PF 5612 00	Lever Comp Gear Shift	1	
2	JW 5612 06	Extension Spring	1	
3	JW 5612 08	Spring Gear Shift Return	1	
4	39 0817 15	Nut - Hexagon	1	
5	39 2704 11	Washer (Spring Steel)	1	
6	JA 5612 07	Inhibitor Comp. Gear Shift	1	
7	PA 5612 07	Step Washer	1	
	JA 5612 09	Step Washer	1	alt for Pa561207
8	JA 5612 08	Spring (Inhibitor)	1	
9	39 2453 04	Bolt - Flange : M6	1	N.S
	39 1902 04	Bolt - Flange : M6	1	alt for 39245304
10	PA 5614 02	Gear Shift Lever	1	Without Damper
11	DH 1015 09	Damper	1	
12	DG 1013 39	Damper	1	

Engine Assembly / Crankcase RH



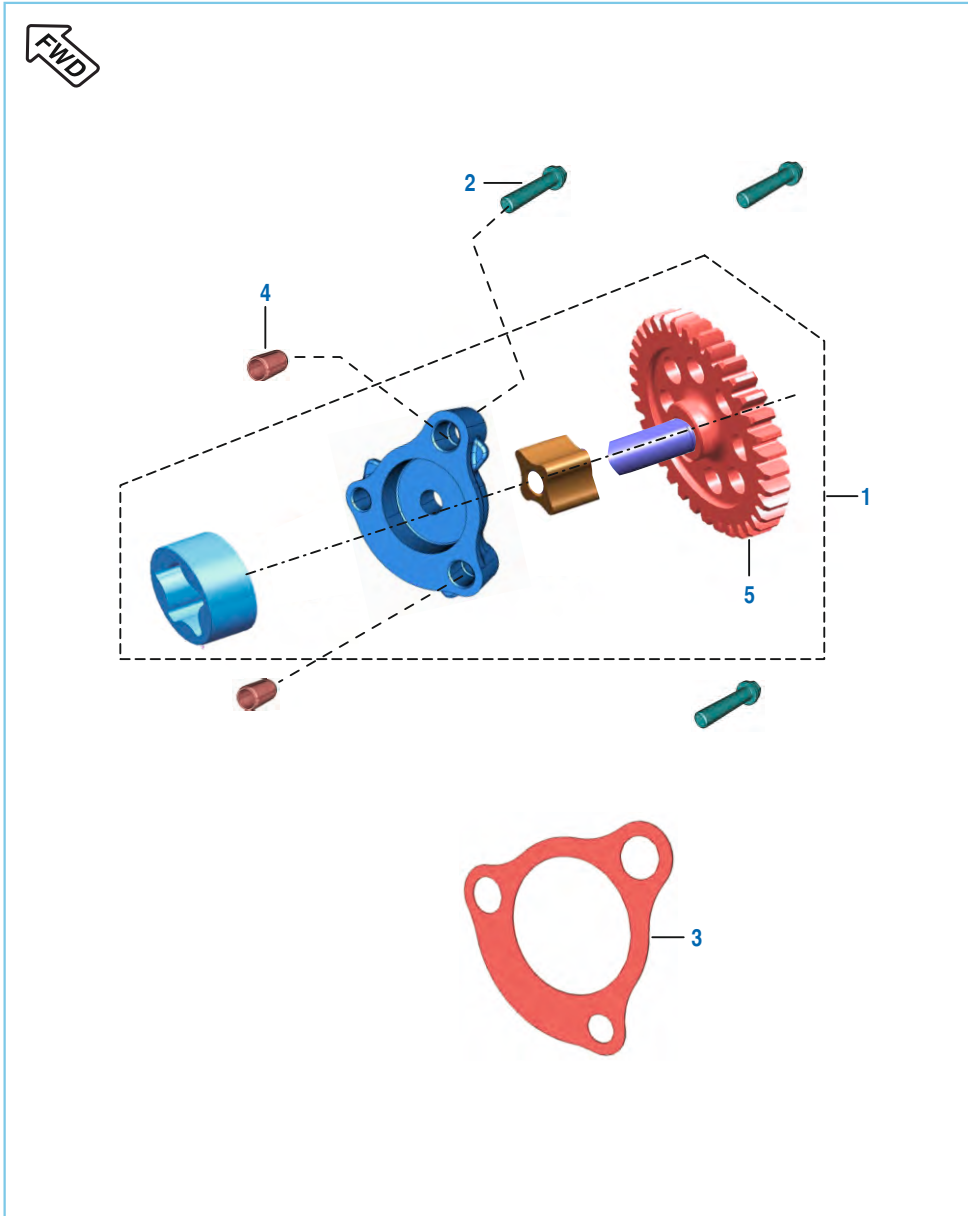
No.	Part No.	Description	Qty.	Remarks
1	PA 5010 11	Engine Assly	1	
1A	PA 5410 26	Assly C'Case RH	1	
2	PF 5410 18	Bushing Drum	1	
3	JA 5410 11	Needle Roller Bearing	1	HK1212
4	59 2000 36	Bearing - Ball 6203 HN3 C3	1	
5	JA 5410 10	Stopper plate input bearing	1	
6	DH 1013 80	Screw - Pan Pre-coated	1	(M6X12)-39
7	JA 5410 14	Bolt Shift Change	1	N.S
	52 Ja00 29	Bolt Shift Change	1	alt for JA 5410 14
8	JA 5410 12	Guide Kick	1	
9	39 1964 04	Bolt Flange	2	
10	52 JA00 27	Stud (JA541015) Pre-coated	1	
11	JA 5412 35	Bolt	2	

Crankcase LH



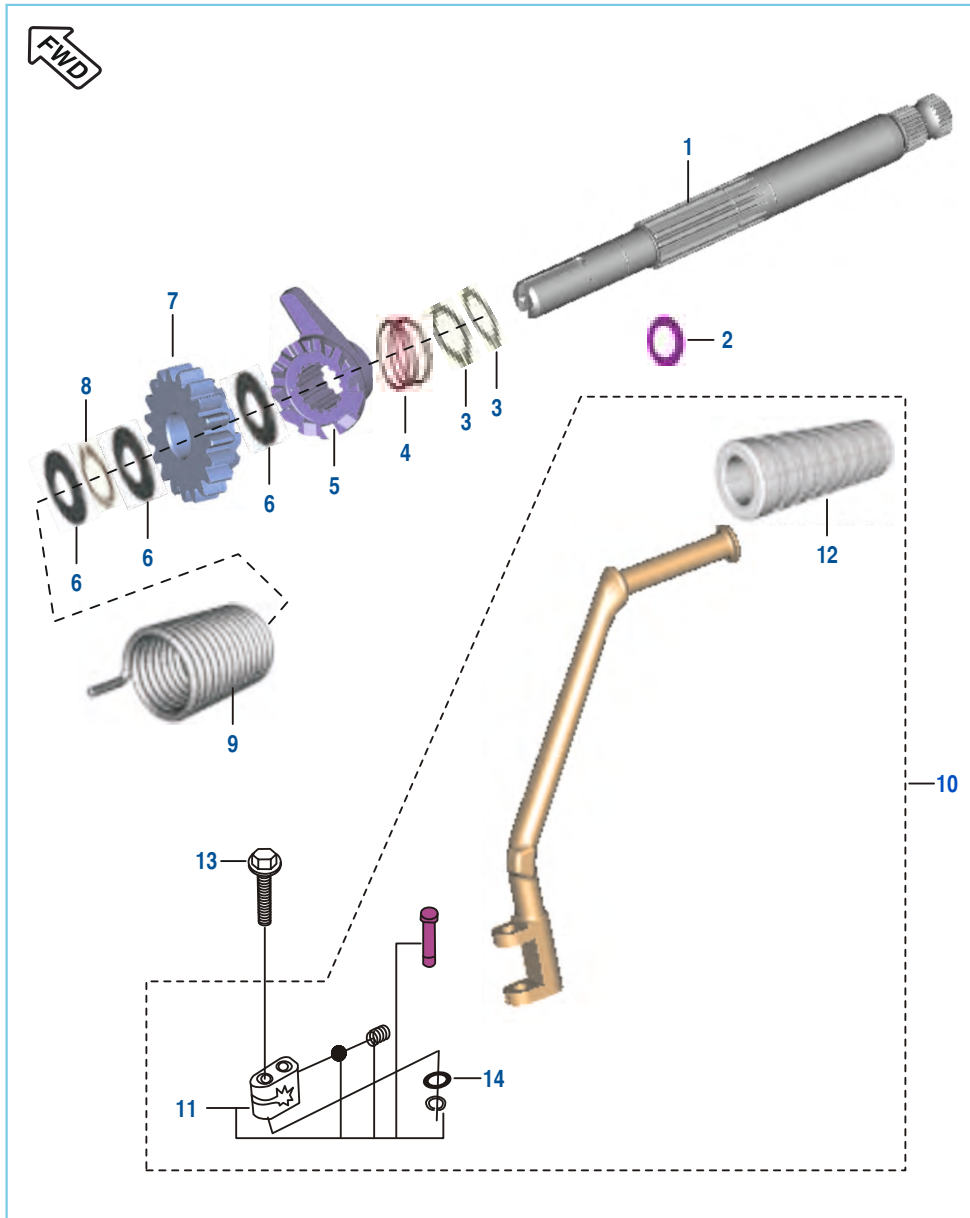
No.	Part No.	Description	Qty.	Remarks
1	36 JZ00 77	Assly C' Case LH	1	
2	59 2000 36	Ball Bearing	1	
3	39 1715 19	Seal - Oil	1	
4	39 2562 20	Bearing - Needle Roller	1	13X19X12
5	JA 5410 05	Bush Bendix	1	
6	39 2190 19	Seal - Oil	1	
7	31 2010 81	Switch - Neutral	1	N.I.
8	DH 1012 64	Neutral Switch AL Washer	1	N.I. N.S
	DH 1017 84	Neutral Switch AL Washer	1	alt for DH 1012 64
9	JA 5410 34	Stopper Gear Starter-	1	
10	39 0747 01	Screw Pan Cross - M6	1	
11	39 0999 06	Pin - Hollow Dowel	4	
11A	59 0400 38	Bolt Flange	6	
12	39 1759 04	Bolt - M6 X 55	1	
13	JG 5710 24	Mesh Oil Filter Assy_G2	1	With 'O' ring
14	LJ A000 04	'O' ring-Strainer	1	
15	JA 5410 21	Cap Strainer	1	
16	59 2100 23	'O' ring Cap Strainer	1	
17	JD 5410 00	Damper	1	N.I

Oil Pump



No.	Part No.	Description	Qty.	Remarks
1	JZ 5710 00	Assembly Oil Pump	1	
2	FD 1010 78	Screw Pan Cross :	3	Pre-Coated
3	JA 5410 16	Gasket Case Oil Pump	1	
4	39 0999 06	Pin Dowel	2	
5	JZ 5710 01	Gear Oil Pump Driven	1	

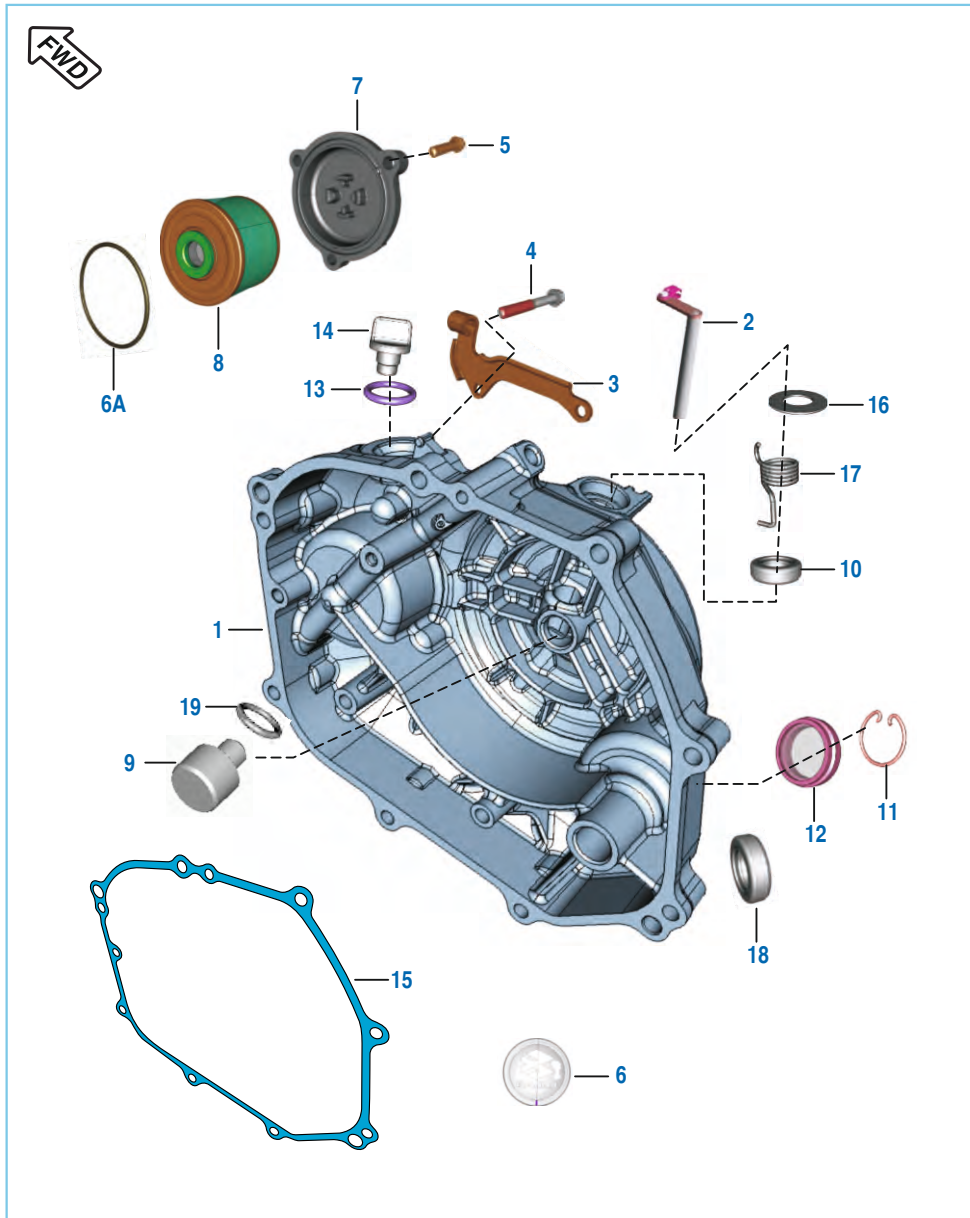
Kick Starter Mechanism



No.	Part No.	Description	Qty.	Remarks
1	JA 6210 01	Kick Shaft	1	
2	JA 6210 06	Washer Thrust	1	
3	39 0738 17	Circlip	2	
4	DS 1011 17	Spring Kick Starter Ratchet	1	
5	JA 6210 02	Ratchet	1	
6	39 0993 11	Washer Plain	3	
7	PA 6210 05	Assly Gear Starter Pinion	1	
8	39 2408 17	External Circlip	1	
9	JE 5410 08	Spring Kick Return	1	
10	JA 6212 01	Assembly Kick Lever	1	
11	36 DU10 07	Kit Boss Kick Lever	1	
12	DD 1010 97	Damper	1	
13	JA 6212 06	Bolt	1	
14	22 1502 41	Plain Washer	1	

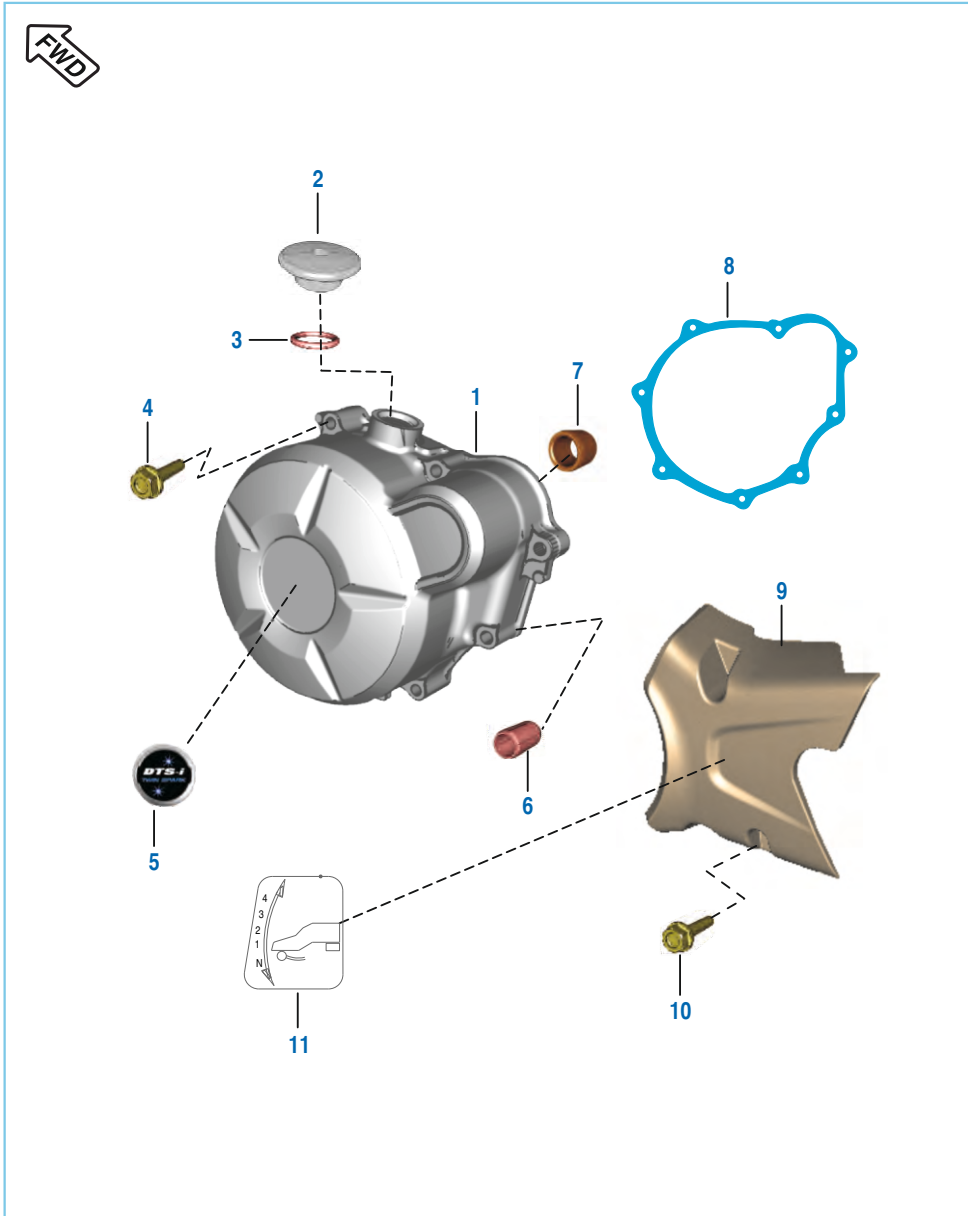


Cover Clutch



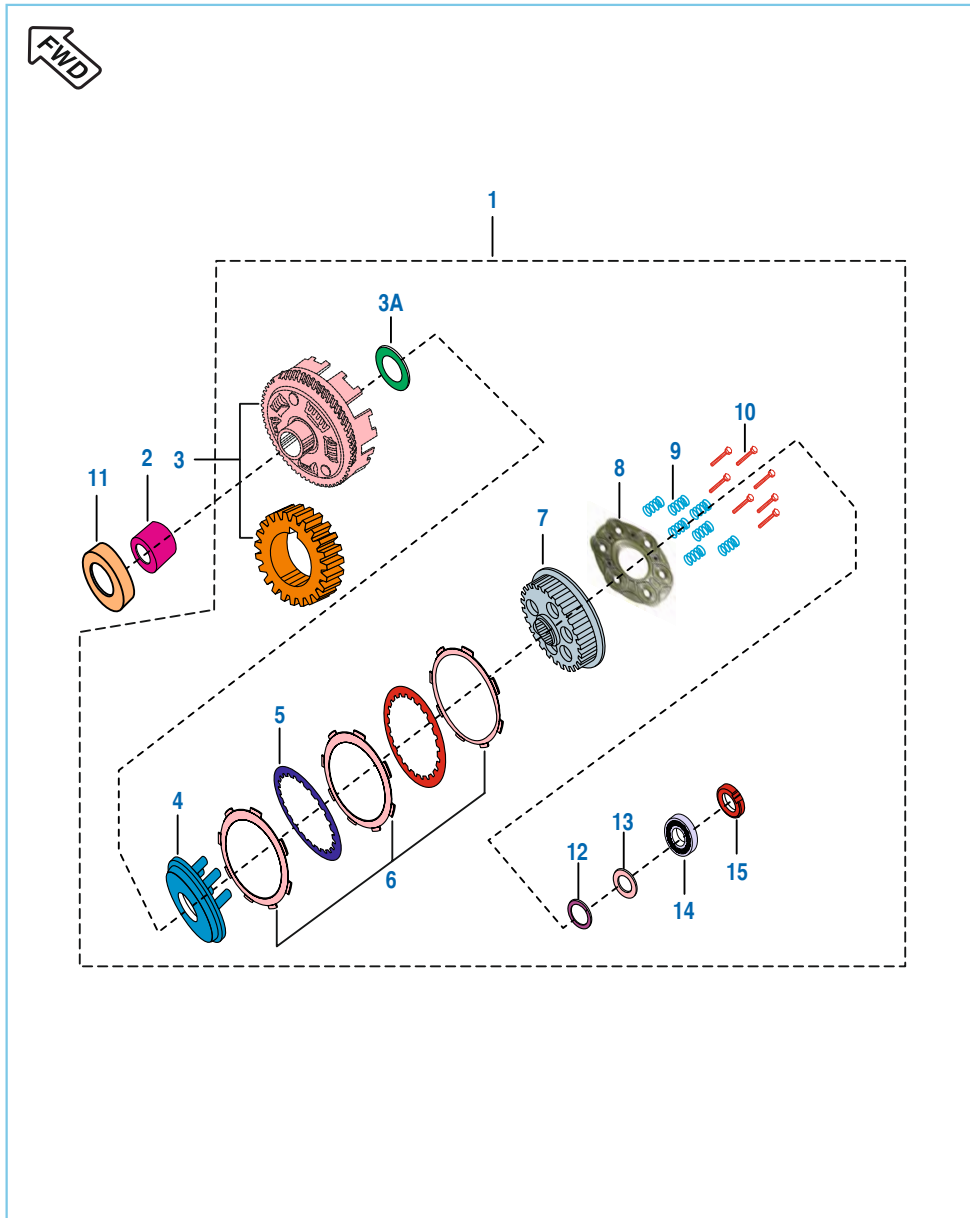
No.	Part No.	Description	Qty.	Remarks
1	36 JZ00 75	Kit Assly Clutch Cover	1	
2	JW 5410 05	Shaft Clutch Release Assly	1	
3	JW 5410 00	Bracket Clutch Cable	1	
4	59 0400 38	Bolt - Flange : M5	8	
5	JA 5210 19	Bolt	3	N.S
	39 1673 04	Bolt	3	alt for JA 5210 19
6	JE 5412 31	Decal Clutch Cover	1	
6A	39 1671 21	Ring - 'O'	1	
7	JZ 5412 14	Cap Filter	1	
8	DD 1211 81	Element Oil Filter	1	
9	PA 5514 05	Rod-Push	1	
10	39 1041 19	Seal - Oil	1	
11	DS 1012 15	Clip - Wire	1	
12	DG 1014 18	Gauge	1	
13	JA 5412 25	O Ring Cap Oil Filler	1	
14	JA 5412 11	Cap Oil Filler	1	
15	JA 5412 12	Gasket Clutch Cover	1	
16	JA 5412 36	Plain Washer (12.5X24X0.8)	1	
17	JA 5412 37	Spring Torsion Cl. Cover	1	
18	30 1011 42	Seal - Oil (Kick Shaft)	1	
19	39 1561 21	Ring 'O'	1	

Cover Magneto



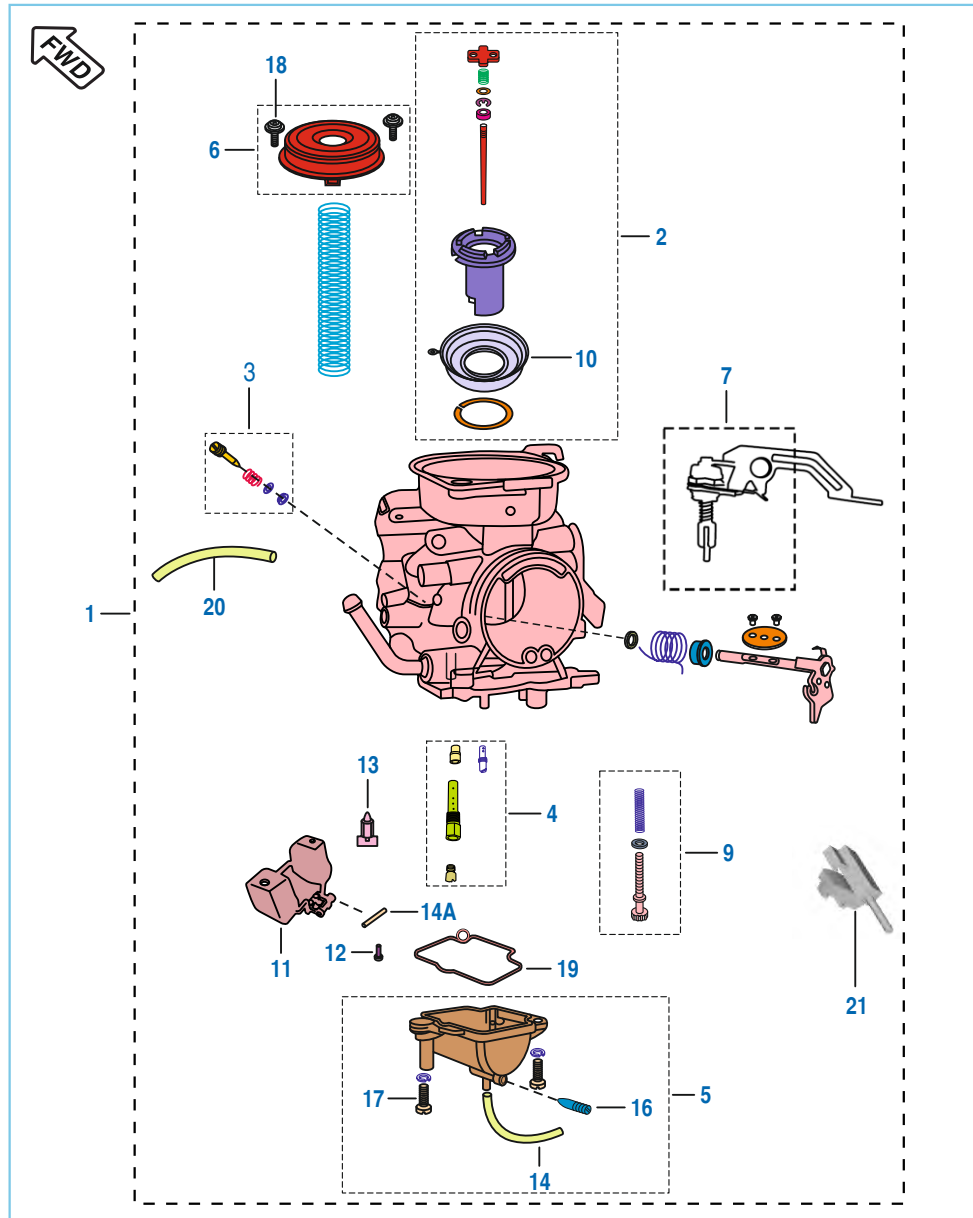
No.	Part No.	Description	Qty.	Remarks
1	JE 5412 33	Assly Cover Magneto	1	
2	JA 5412 33	Cap TDC finder	1	
3	30 1011 95	'O' ring	1	
4	JA 5410 44	Bolt - Flanged : Small	8	
5	JE 5412 30	Label Mag Cover	1	
6	39 0999 06	Dowl	2	
7	JA 5410 05	Bush Bendix	1	
8	JA 5412 05	Gasket Magneto Cover	1	
9	PA 5412 17	Cover RR assly	1	With GearShift Label
10	59 0400 38	Flange bolt	2	
11	PA 5412 13	Gear Shift Label	1	

Clutch Assly



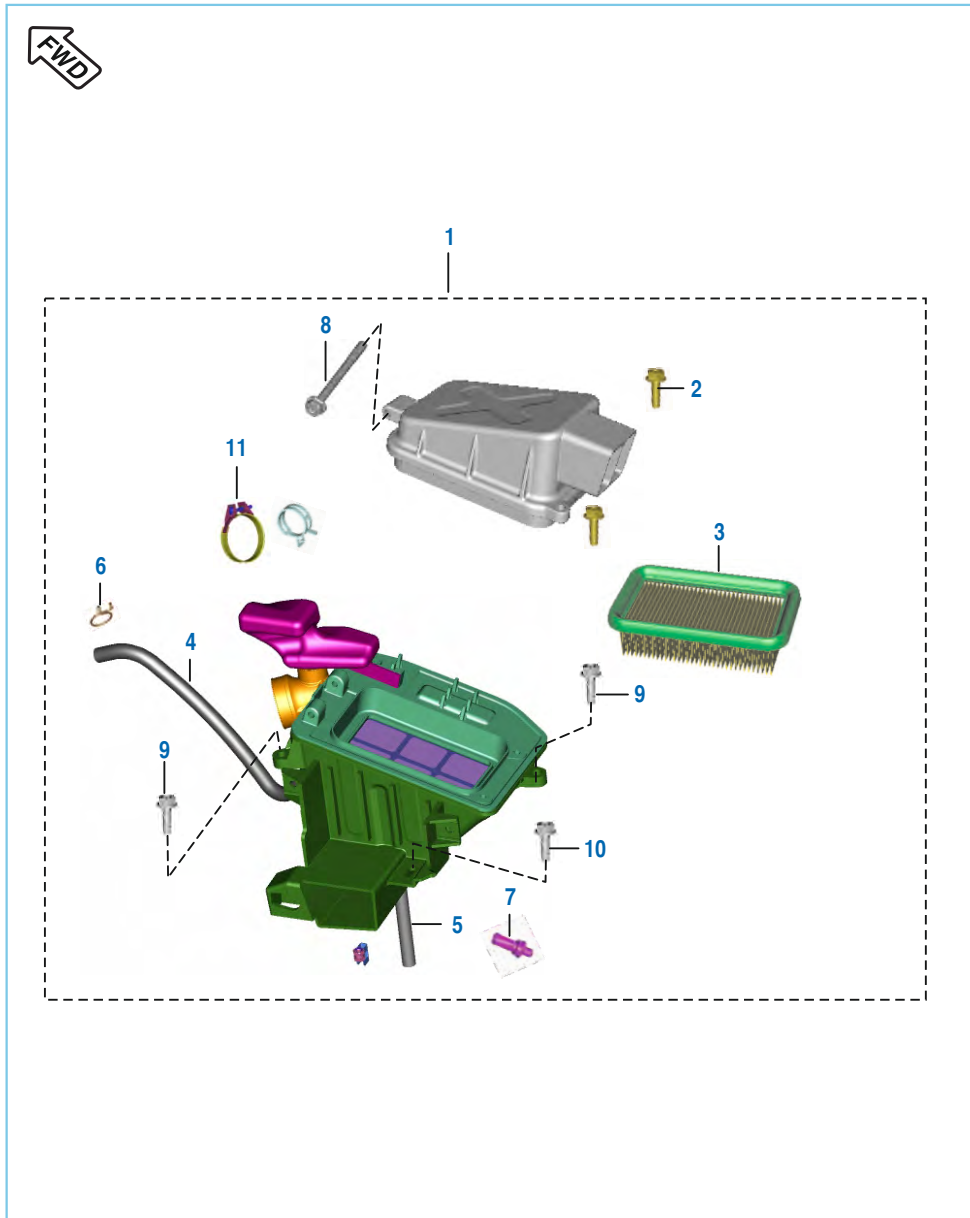
No.	Part No.	Description	Qty.	Remarks
1	JZ 5514 13	Assembly Clutch	1	
2	JA 5514 06	Collar Clutch	1	
3	36 JZ00 23	Kit Primary Drive & Driven	1	
3A	39 2600 11	Washer - Plain	1	
4	JB 5514 08	Wheel Clutch	1	
5	30 1010 96	Plate Cutch	4	
6	36 JE00 24	Kit Friction Plate	1	
7	JB 5514 11	Hub Clutch	1	
8	JB 5514 12	Clutch Holder	1	
	JB 5514 06	Clutch Holder	1	alt for JB 5514 12
9	JZ 5514 15	Compression Spring	6	
10	39 0980 04	Flange Bolt	1	
11	JD 5514 00	Spacer Clutch Assembly	1	
12	JA 5514 20	Washer Plain	1	
13	JE 5514 09	Washer Belleville	1	
14	39 1001 20	Bearing - Ball	1	
15	JA 5310 07	Nut Crankshaft M14	1	N.S
	52 JA00 28	Nut Crankshaft M14	1	alt for JA 5310 07

Carburetor Assembly (125M)



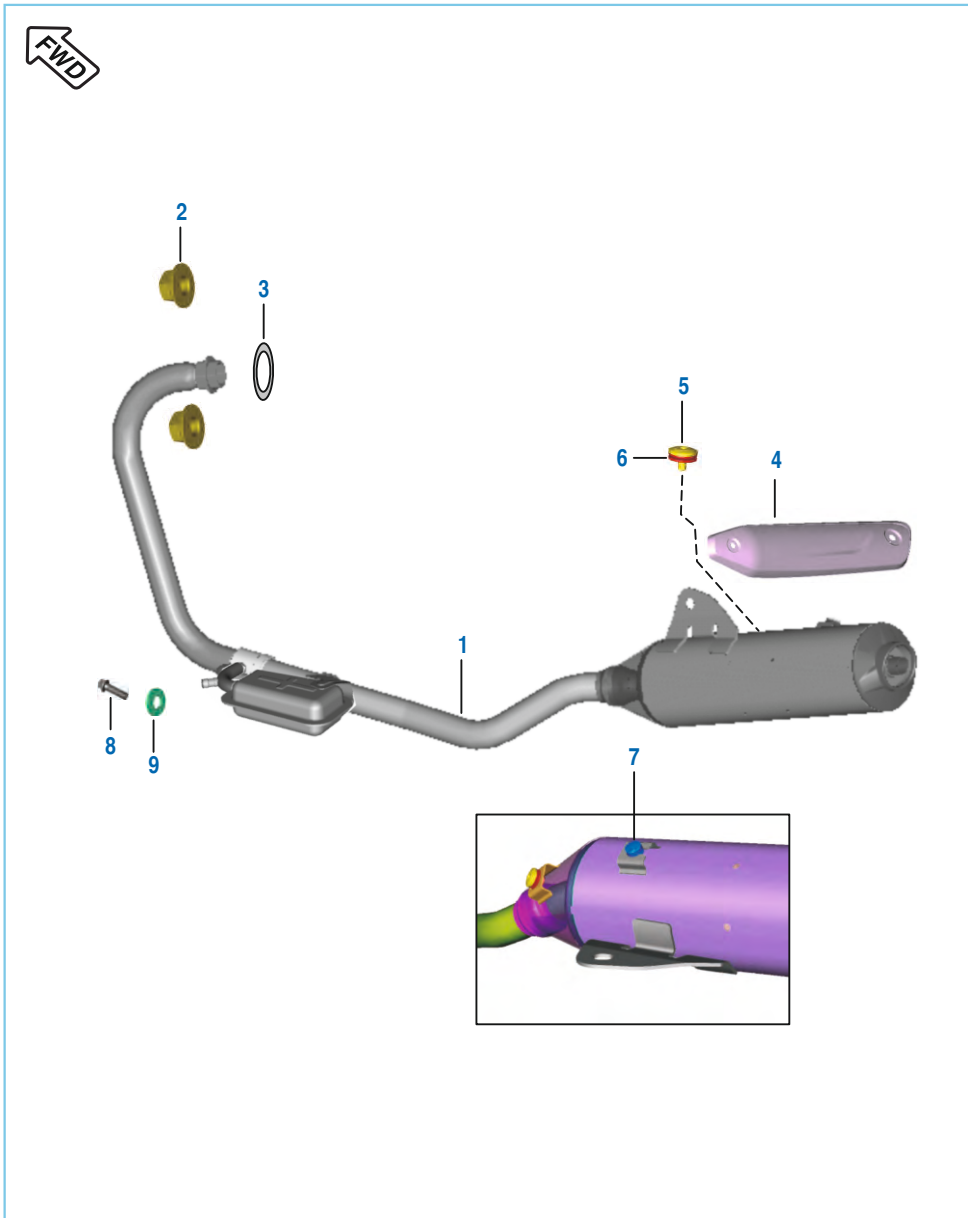
No.	Part No.	Description	Qty.	Remarks
1	PA 5812 26	Assly Carburetor-125 M	1	
2	36 PA01 54	Kit Piston Valve	1	
3	36 PA01 55	Kit Pilot Screw	1	
4	36 PA01 56	Kit Jet-125 M	1	
5	36 JE00 19	Kit Float Chamber Body	1	
6	36 JE00 20	Kit Top Cap	1	
7	36 JE00 21	Kit Plunger Assly	1	
8	36 JE00 22	Kit O Ring & Gasket	1	
9	DK 1210 41	Kit VC Screw	1	
10	JE 5812 13	Diaphragm	1	
11	DH 1210 59	Float Assly	1	
12	DH 1210 64	Screw Needle Shaft	1	
13	DH 1210 93	Needle Assly	1	
14	JE 5812 23	Pipe Overflow	1	
14A	DH 1210 63	Pin	1	
15	DH 1210 41	Clip Drain Hose	1	N.I.
16	JE 5812 18	Drain Screw	1	
17	DP 1210 67	Screw Float Body	4	N.S
18	DH 1211 76	Screw Diaphragm Cover	2	N.S
19	DP 1210 59	Gasket Float Chamber	1	
20	DP 1210 18	Clamp	1	Towards Air Filter N.S
21	PA 5812 27	TPS Reed Switch	1	

Air Cleaner Complete



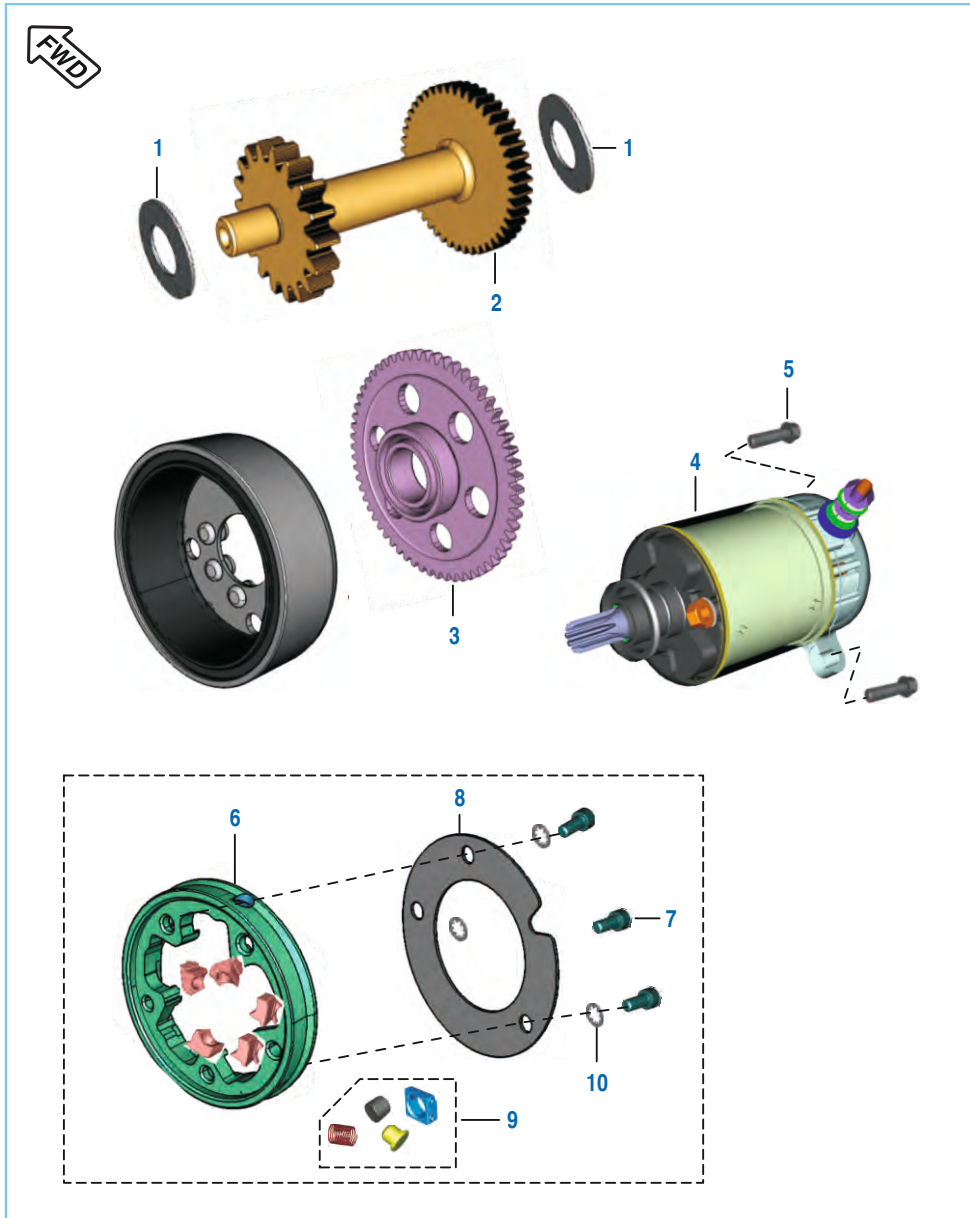
No.	Part No.	Description	Qty.	Remarks
1	PA 5810 42	Assembly Air Filter D105C	1	
2	KA DA06 18	Bolt Flange	2	
3	PA 5810 29	Element Air Filter	1	
4	PA 5810 34	Hose Breather	1	
5	JZ 5810 25	Drain Tube	1	
6	DG 1210 25	Clip	2	N.S
7	DS 1211 26	Pug	1	
8	KA DD06 70	Bolt Flange M6 X 70	1	
9	LA D000 70	Bolt Stepped	2	
10	LA D000 53	Bolt Flange	1	
11	DH 1210 38	Clamp	1	

Silencer Assembly



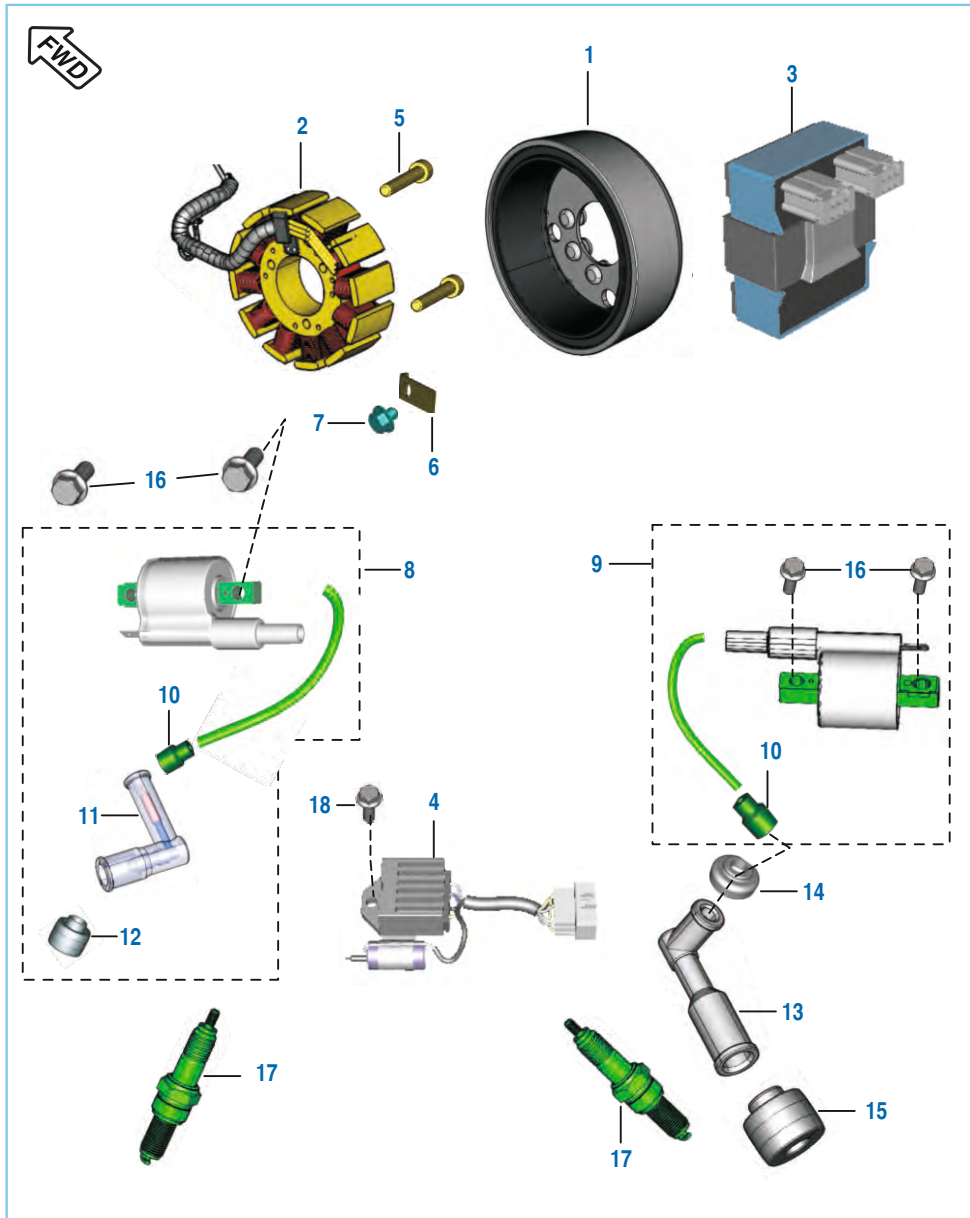
No.	Part No.	Description	Qty.	Remarks
1	YP A150 01	Silencer W/O Shields	1	
2	JA 5910 40	Nut - U	2	
	39 2295 15	Nut - U	2	alt for JA 5910 40
3	JE 5910 02	Gasket Exhaust	1	
4	PA 5911 20	Shield Muffler	1	
5	DH 1013 95	Truss Screw	2	N.S
6	DH 1013 01	Seal Shield Muffler	2	
7	JW 5910 30	Grommet Shield	1	
8	DK 1016 10	Bolt M5	1	
9	39 2492 11	Plain Washer	1	

Starter Assembly



No.	Part No.	Description	Qty.	Remarks
1	JA 6214 02	Washer (Thk 0.4)	2	
2	JA 6214 06	Drive Assly.	1	
3	JA 6214 10	Gear Starter Clutch	1	
4	JA 3516 00	Starter Motor Assly.	1	
5	LA D000 11	Bolt Flange	2	
6	JA 6214 14	Body starter Clutch	1	
7	DH 1013 82	Bolt	3	N.S
	39 0972 04	Bolt	3	alt for DH 1013 82
8	DH 1017 81	Plate Roller Clutch	1	
9	36 JZ00 08	Starter Clutch Repair Kit	1	
10	39 0849 14	Washer	3	

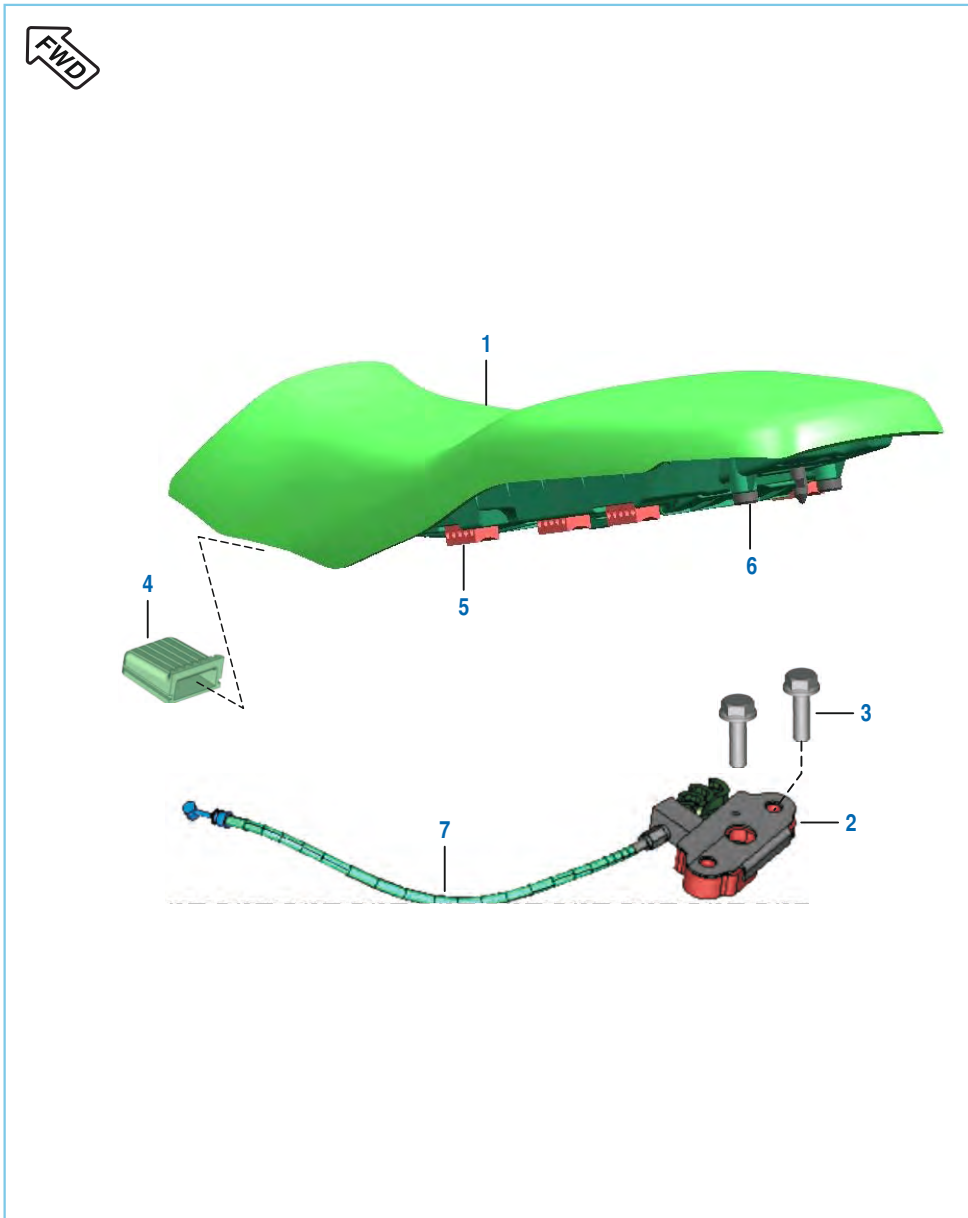
Magneto, CDI & H.T. Coil



No.	Part No.	Description	Qty.	Remarks
1	JE 3510 04	Rotor Assly - DC	1	
2	JE 3510 05	Stator assly- DC	1	
3	PA 3512 14	CDI	1	
4	JF 4020 00	RR Unit With Capacitor - DC	1	
5	39 1675 04	Flange bolt	2	N.S
	39 1674 04	Flange bolt	2	alt for 39 1675 04
6	JA 5410 28	Lock Plate	1	
7	DH 1013 80	Pan Head Screw	3	
8	PA 3512 10	Coil HT LH	1	
9	PA 3512 12	Coil HT RH	1	
10	DD 1110 12	Grommet HT coil	2	
11	DD 1110 48	Spark Plug Cap LH	1	
12	DD 1110 11	Grommet Spark Plug Cap LH	1	
13	DH 1110 15	Cap Spark Plug RH	1	
14	JD 3512 06	Grommet Sleeve Plug Cap RH	1	
15	DH 1110 13	Grommet Spark Plug Cap RH	1	
16	59 0400 14	Bolt Flanged M6X1	4	
17	CF 1110 19	Plug - Spark BOSCH :	2	UR4AC Or
	DD 1110 18	Plug - Spark Champion	2	PRZ9HC
18	KA DD06 14	Bolt Flange	1	Alt. no. 39 1940 04
19	KA DF06 20	Bolt-Regulator Mtg	2	

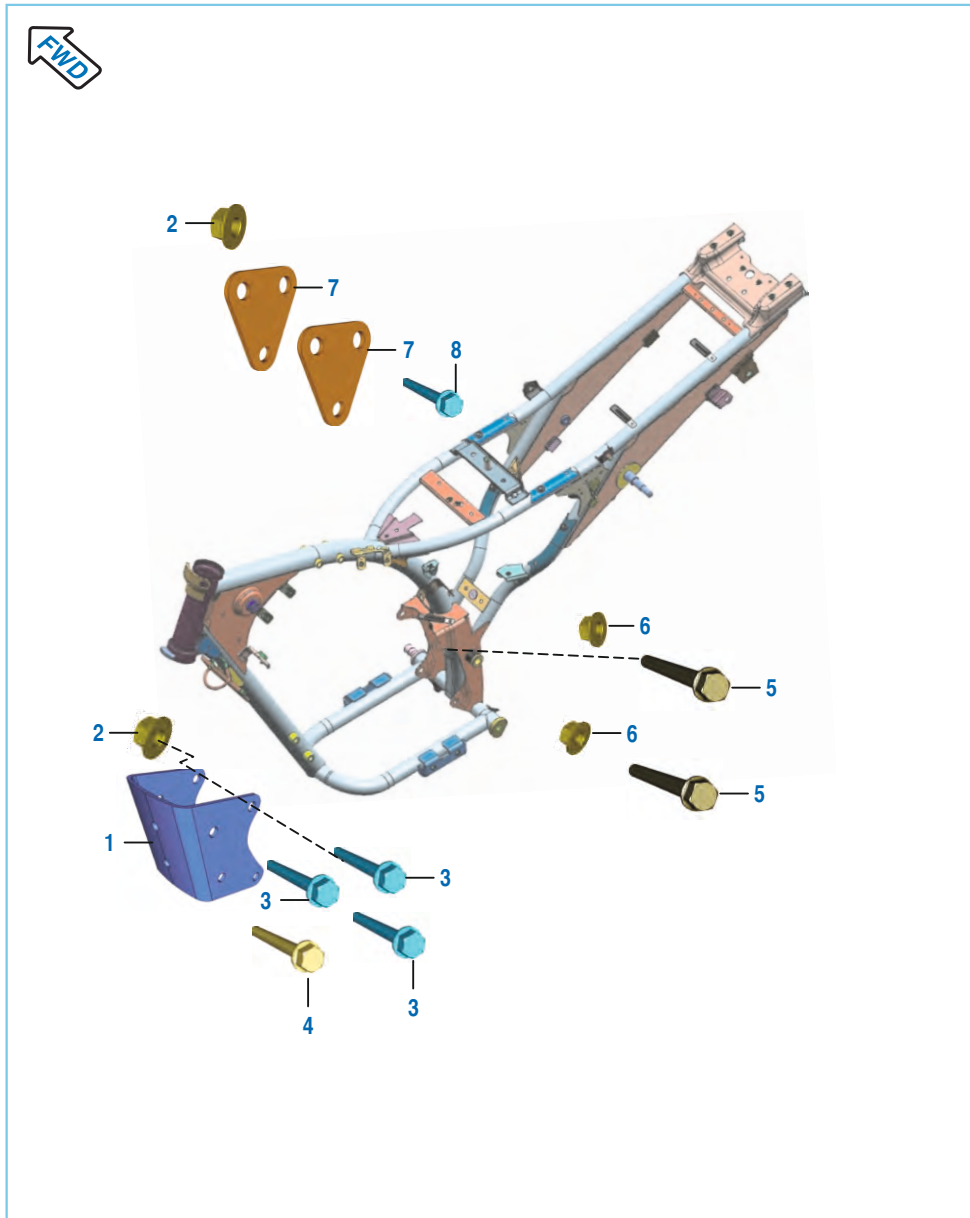


Seat Assembly / Seat Lock



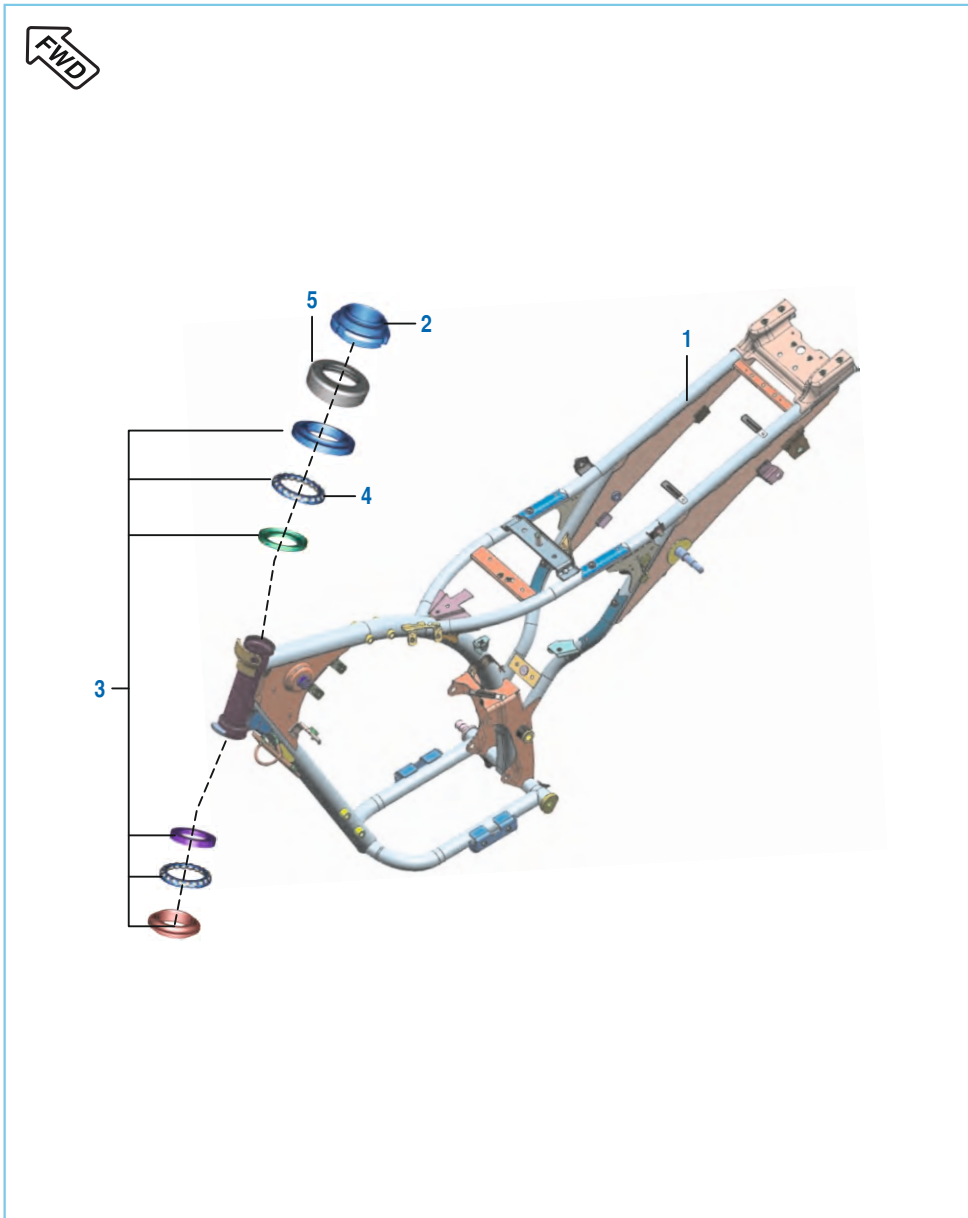
No.	Part No.	Description	Qty.	Remarks
1	PA 1910 05	Seat Assly. Comp	1	
2	PA 1612 11	Lock Assy. Seat	1	
3	39 1902 04	Bolt - Flanged : M6	2	
4	PA 1910 10	Damper Front	2	
5	JZ 1910 10	Damper For Seat	8	
6	JD 1910 06	Damper Rear For Seat	2	
7	PA 1612 07	Cable Seat Lock	1	

Engine Mountings



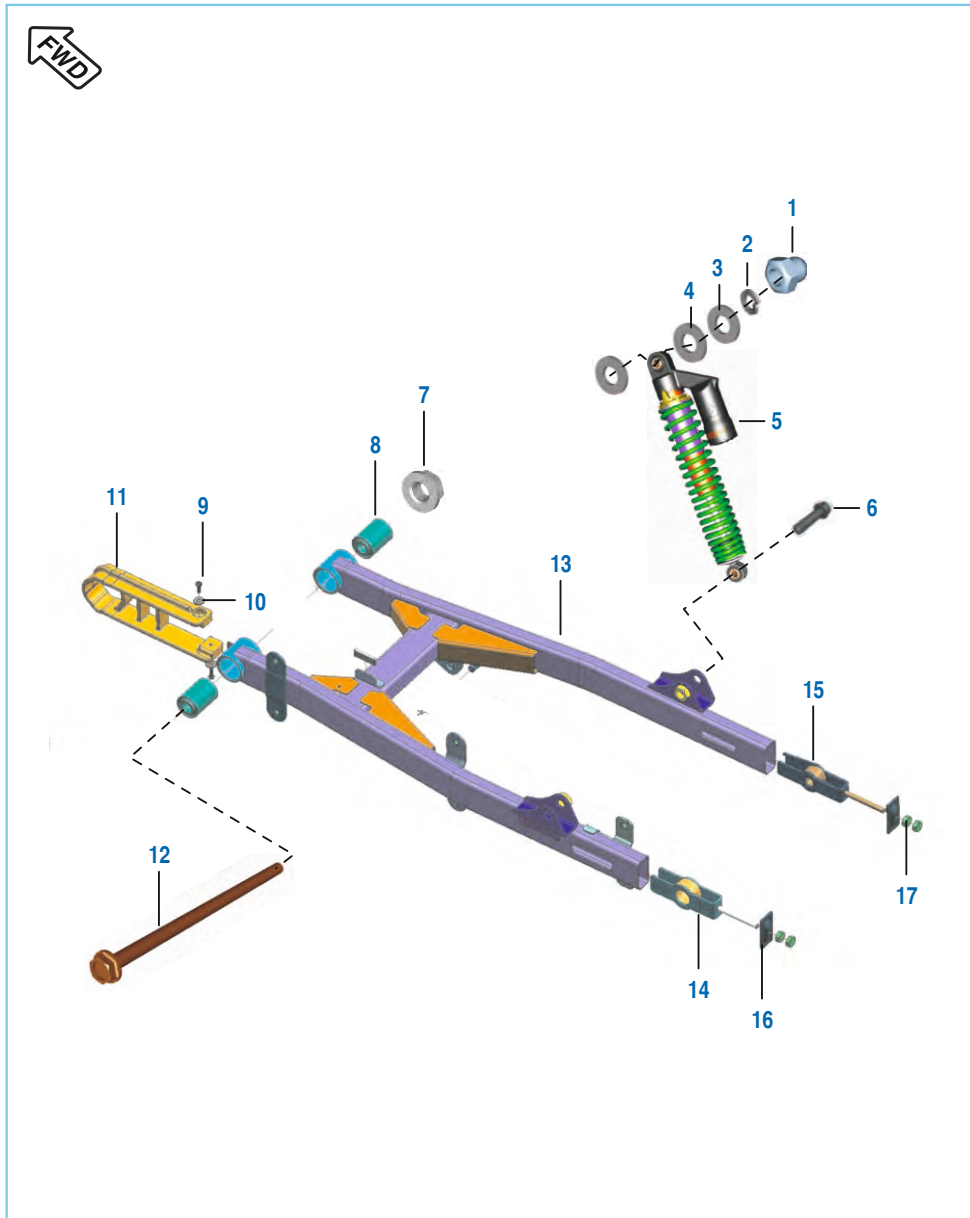
No.	Part No.	Description	Qty.	Remarks
1	PA 1134 10	Bracket Eng Mtg Front	1	
2	LC G000 01	Nut - Hex With Flange	5	
3	LA D000 02	Bolt Flange M8 L75	3	
4	LA D000 01	Bolt Flanged	1	
5	JA 1134 03	Flanged Bolt M10X110	2	
6	39 2723 15	Nut Flanged M10 Olive	2	
7	PA 1134 14	Bracket Engine Mtg Top D125 C	2	
8	LA D000 48	Bolt Flanged	3	M8 X 1.25P X 65 L

Frame and Frame Fittings



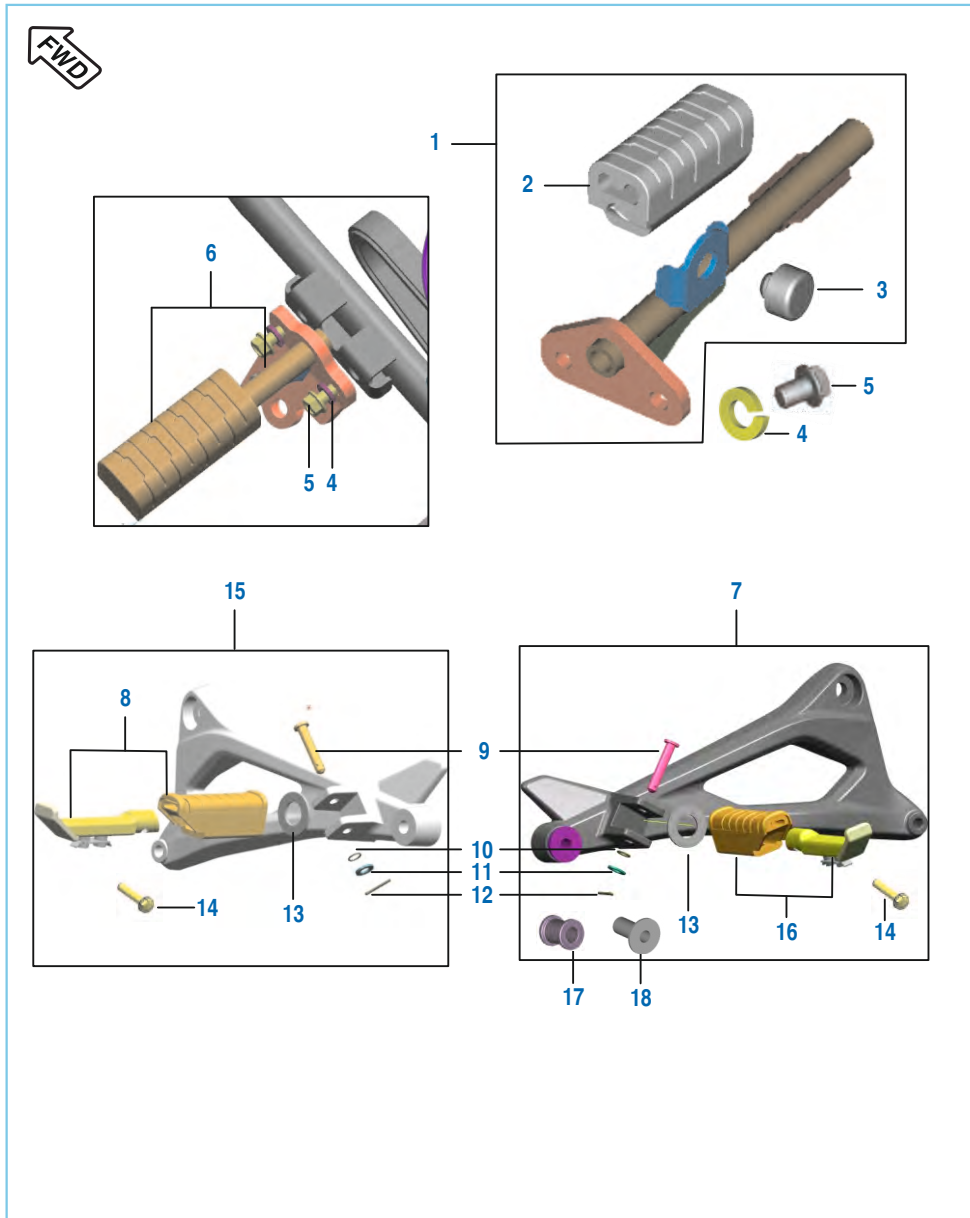
No.	Part No.	Description	Qty.	Remarks
1	PA 1112 40	Frame Assembly	1	
2	JZ 1510 84	Nut Steering	1	
3	36 PA01 44	Kit-Brg Race+Cone	1	
4	DJ 1811 15	Cage Bearing - Steering	2	
5	JZ 1510 83	Cap Steering	1	
6	DK 2010 49	Clamp Harness Wiring	1	N.I.
7	36 0010 52	Grease Lithon RR3-10gm	1	N.I.

Swing Arm / Rear Shock Absorber



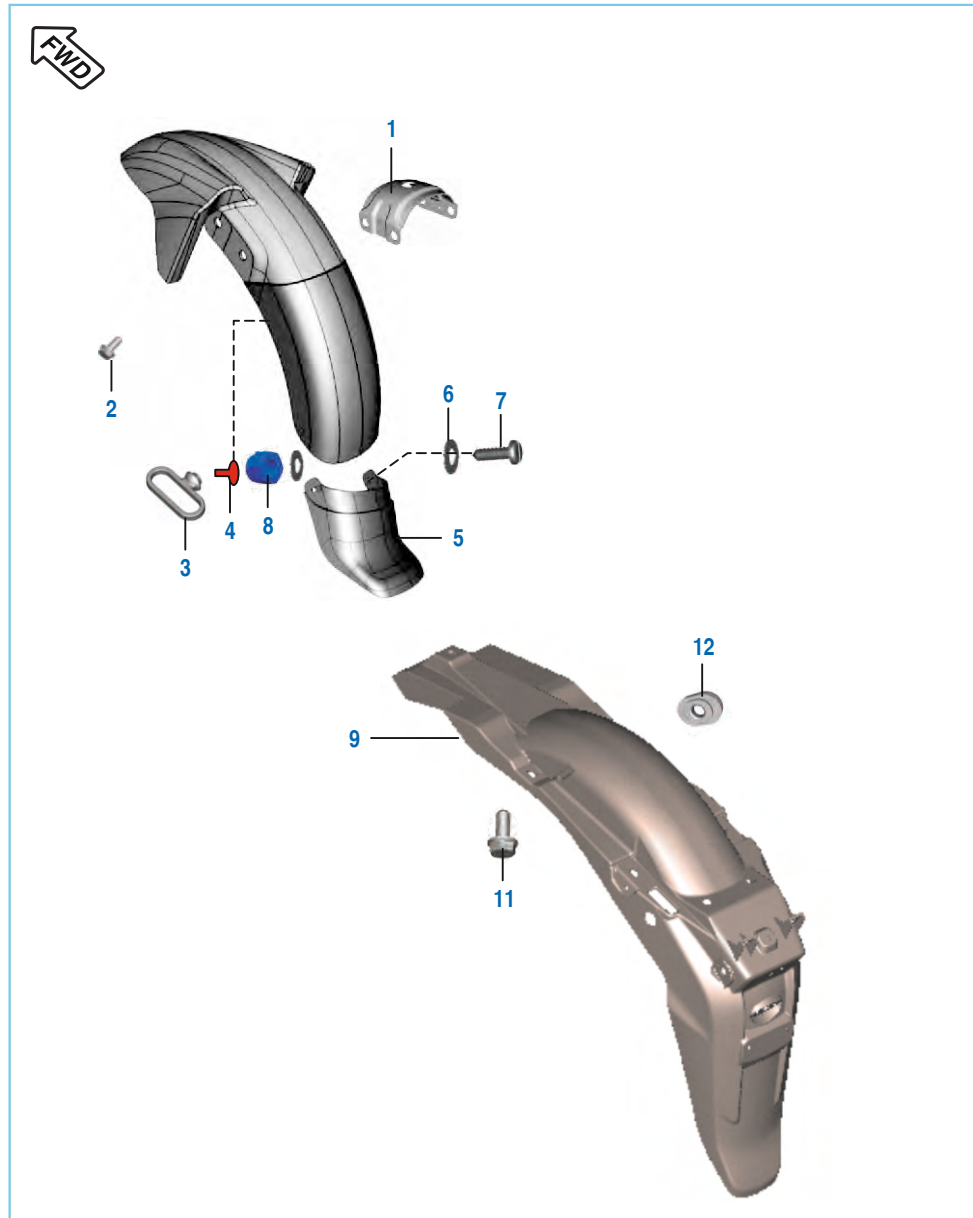
No.	Part No.	Description	Qty.	Remarks
1	JB 1220 09	Domed Cap Nut	2	
2	39 2726 12	Spring Washer	2	
3	JB 1220 11	Plain Washer	2	
4	JB 1220 10	Plain Washer	4	
5	PA 1220 26	Rear Shock Absorber	2	
6	JB 1220 16	Hex Bolt / Flange - M10	2	
7	39 1358 15	Flanged Nut	1	
8	DP 1710 06	Bush	2	
9	39 0553 02	Screw	2	
10	39 0454 11	Plain Washer	2	
11	PA 1220 29	Chain Slider	1	
12	JD 1210 02	Shaft Swing Arm	1	
13	PA 1220 34	Assembly Swing Arm	1	
14	PA 1220 23	Adjuster Chain LH	1	
15	PF 1220 16	Adjuster Chain RH	1	
16	PA 1220 21	Plate Chain Adjuster	2	
17	39 0292 15	Hexagon Nut	4	

Rider Foot Rest



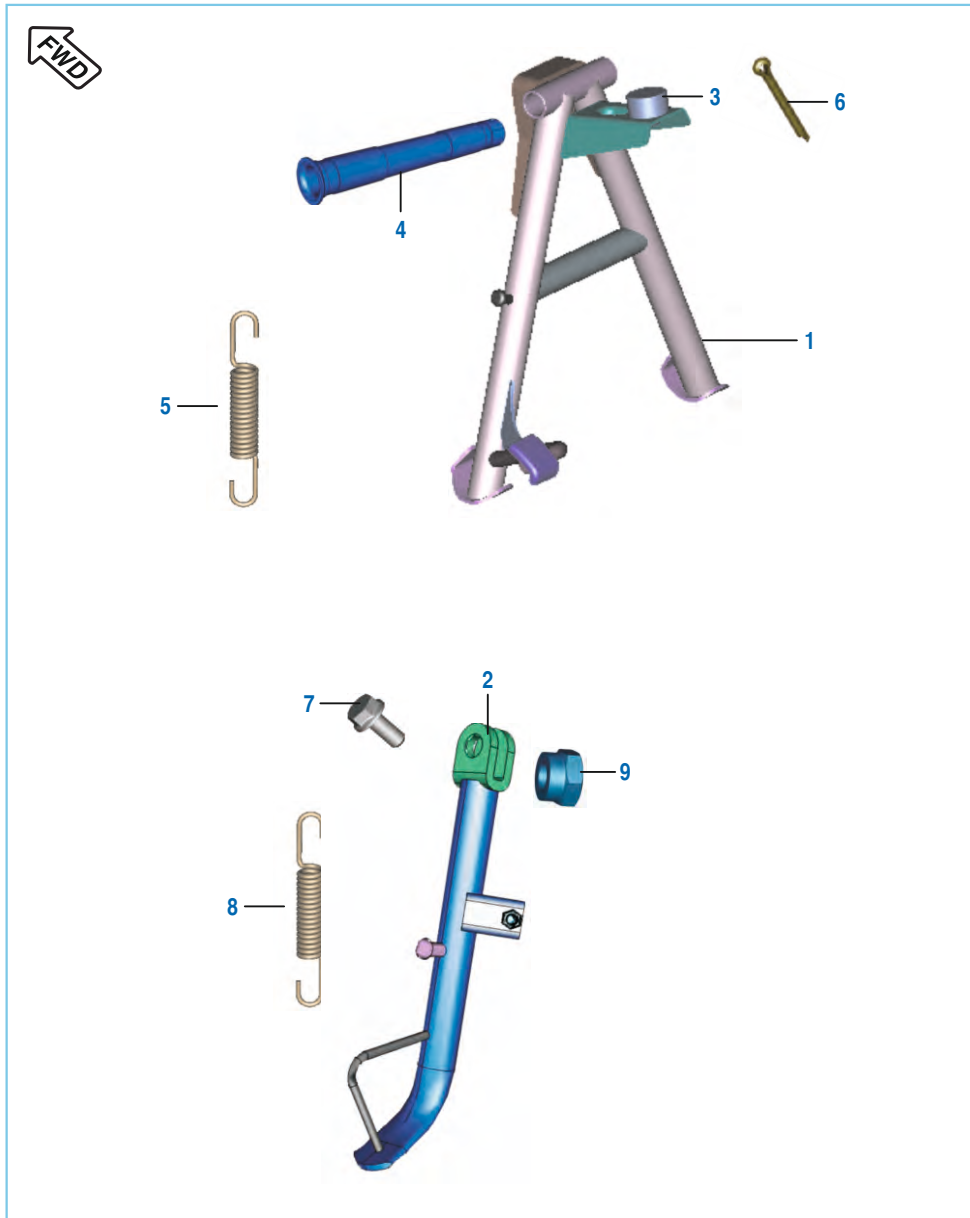
No.	Part No.	Description	Qty.	Remarks
1	PA 1130 24	Assly Main Step RH	1	
2	PA 1130 08	Rubber	2	
3	DG 1612 24	Damper	1	
4	KD CB08 16	Washer Spring	4	
5	KA DD08 22	Flange Bolt	4	
6	PA 1130 22	Assly Main Step LH	1	
7	PA 1130 59	Holder Step RH Soft Mtg	1	
8	PA 1130 41	Assly Pillion Step LH	1	
9	DH 1610 61	Pin	2	
10	30 1410 31	'O' Ring	2	
11	39 1040 11	Washer Plain	2	
12	39 0784 08	Pin Split	2	
13	DJ 1611 86	Washer	2	
14	39 1714 04	Bolt	2	N.S
	39 2582 04	Bolt	2	alt for 39 1714 04
15	PA 1130 35	Holder Step LH Assly.	1	
16	PA 1130 40	Assly Pillion Step RH	1	
17	JZ 1130 42	Damper Silencer	1	
18	DJ 1612 78	Tube Silencer Mounting	1	

Mudguard - Front & Rear



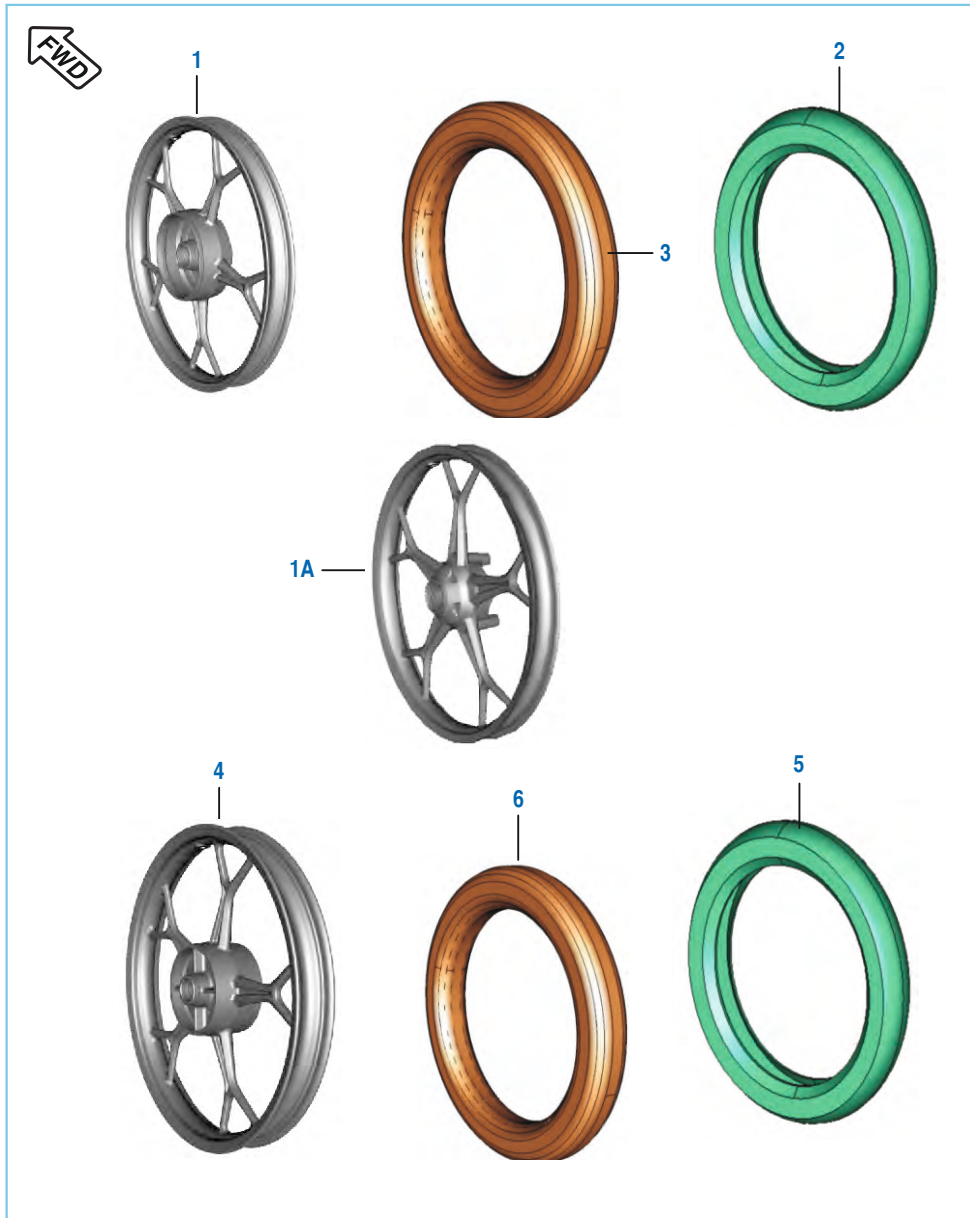
No.	Part No.	Description	Qty.	Remarks
1	PA 1814 05	Fender Brace	1	Drum Brake
	JZ 1814 15	Fender Brace	1	Disc Brake
2	59 0400 19	Bolt Hex With Flange - M8x1.25	4	
	39 1556 04	Bolt Hex With Flange - M8x1.25	4	alt for 59 0400 19
3	DS 1611 25	Guide - Cable	1	
4	DJ 1610 69	Nail - Cable Guide	1	
5	JZ 1814 16	Flap Front Fender	1	
6	39 0242 11	Washer - Plain	6	
7	39 2420 01	Screw - Pan Head : M5	3	
	39 1698 01	Screw - Pan Head : M5	3	alt for 39 2420 01
8	39 0326 15	Nut - Nyloc :- M5 X 0.8	3	
9	PA 1814 08	Fender Rear RR	1	
10	DJ 2011 73	Grommet	3	
11	LA E000 22	Bolt Flanged	7	Rear Fender Mtg.
12	DJ 2011 73	Grommet	2	

Stand Assembly



No.	Part No.	Description	Qty.	Remarks
1	PA 1132 07	Stand Center	1	
2	PA 1132 08	Stand Side	1	
3	PA 1132 04	Damper Center Stand	1	
4	JZ 1132 07	Shaft Center Stand	1	
5	DH 1611 21	Spring Main Stand	1	
6	39 0797 08	Pin - Cotter	1	
7	DF 1611 02	Bolt For Side Stand Mtg.	1	
8	DH 1610 66	Spring Side Stand	1	
9	39 0422 15	Nut - Nyloc :- M10	1	

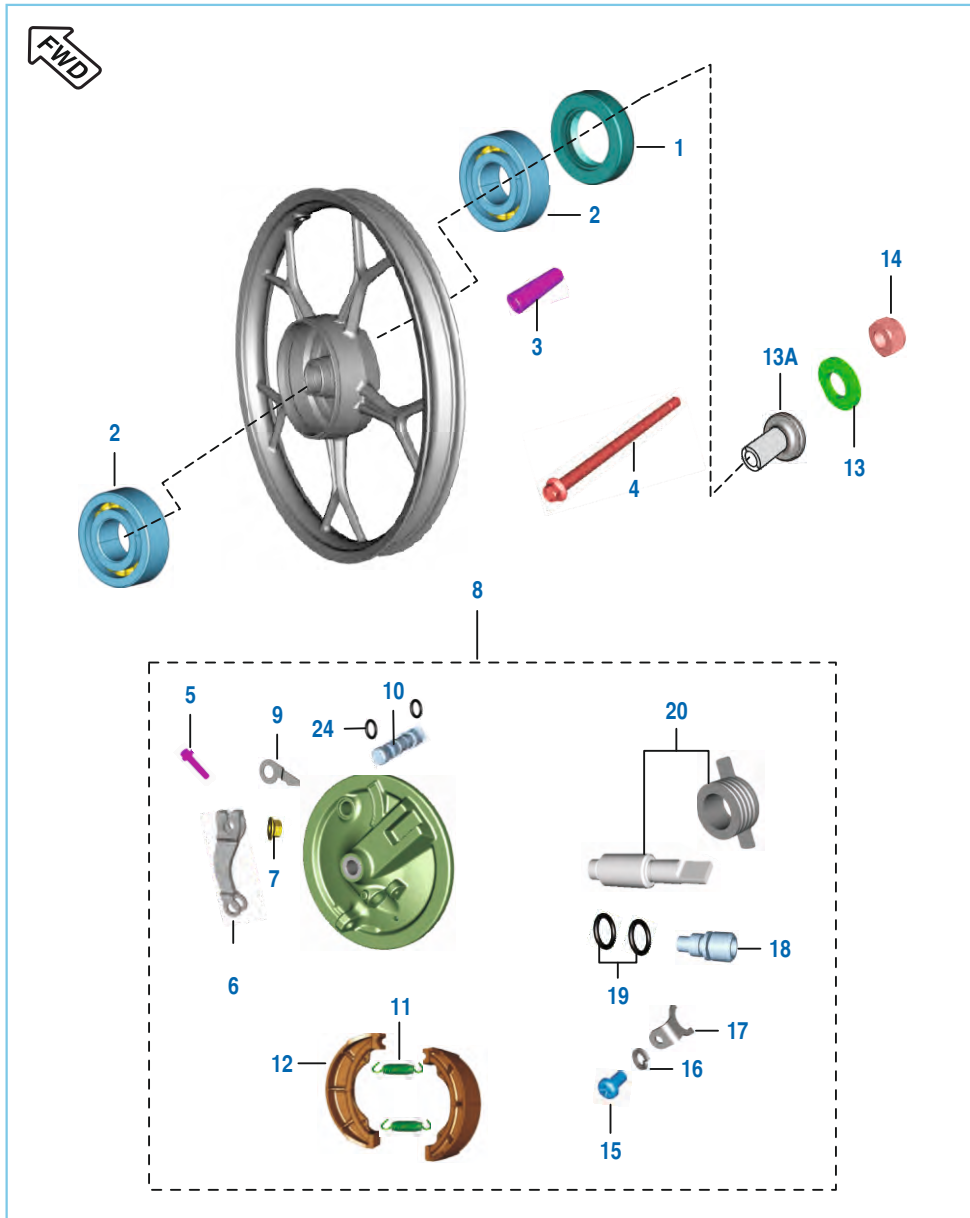
Tube / Tyre / Rim



No.	Part No.	Description	Qty.	Remarks
1	PA 1310 19	Wheel Front 1.4X17	1	Drum Brake
1A	PA 1310 21	Wheel Front 1.4X17	1	Disc Brake
2	DS 1510 48	Tyre 2.75 X 17	1	Not Serviceable in Spare
3	DS 1510 49	Tube - 2.75 X 17	1	Not Serviceable in Spare
4	PA 1312 41	Wheel 1.6X17 130 Rear	1	Drum Brake
5	DS 1510 52	Tyre 3 X 17	1	Not Serviceable in Spare
6	DS 1510 53	Tube - 3 X 17	1	Not Serviceable in Spare
7	DS 1510 47	Tyre with Tube Front	1	
8	DS 1510 51	Tyre with Tube Rear	1	

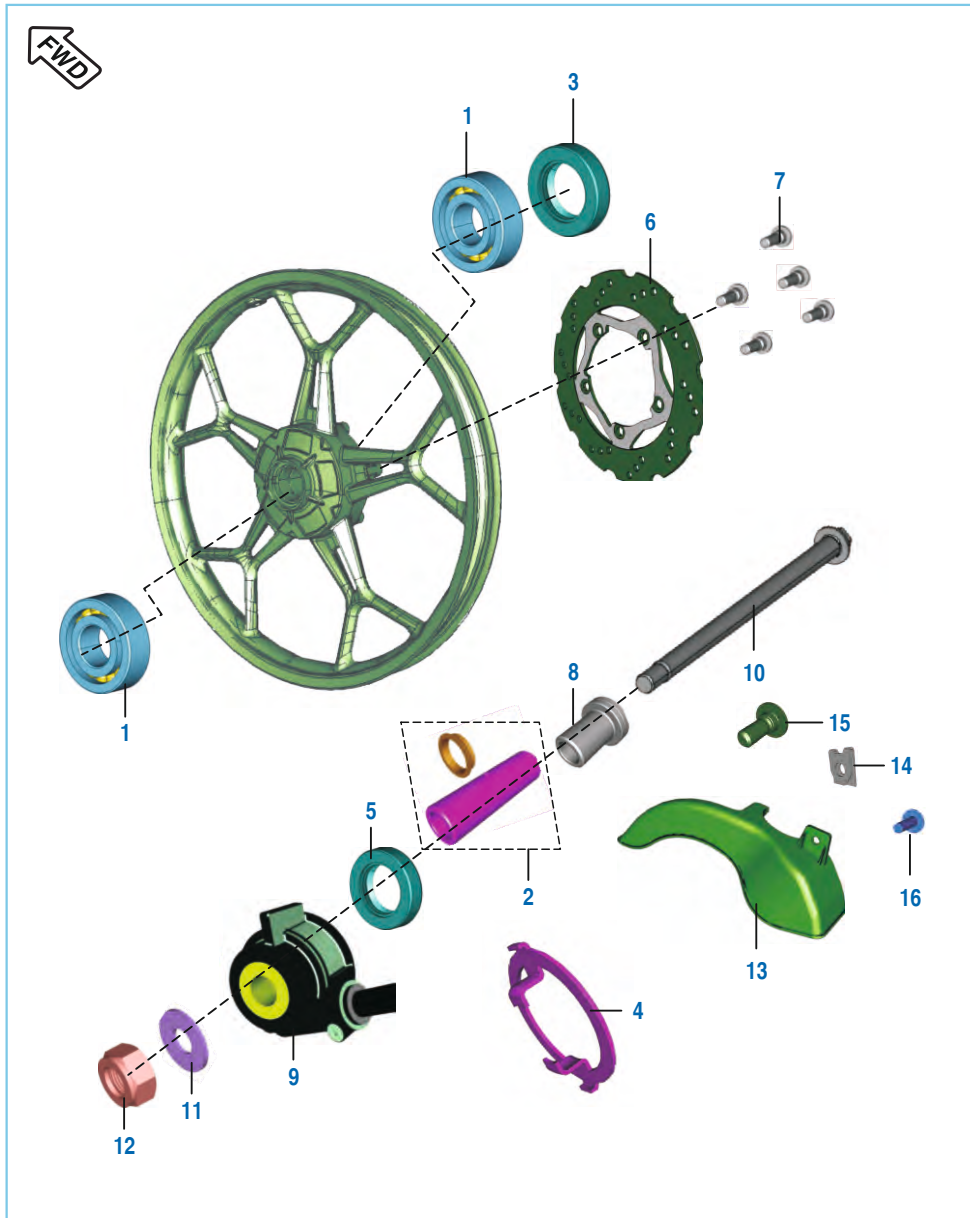


Front Hub (Drum Brake)



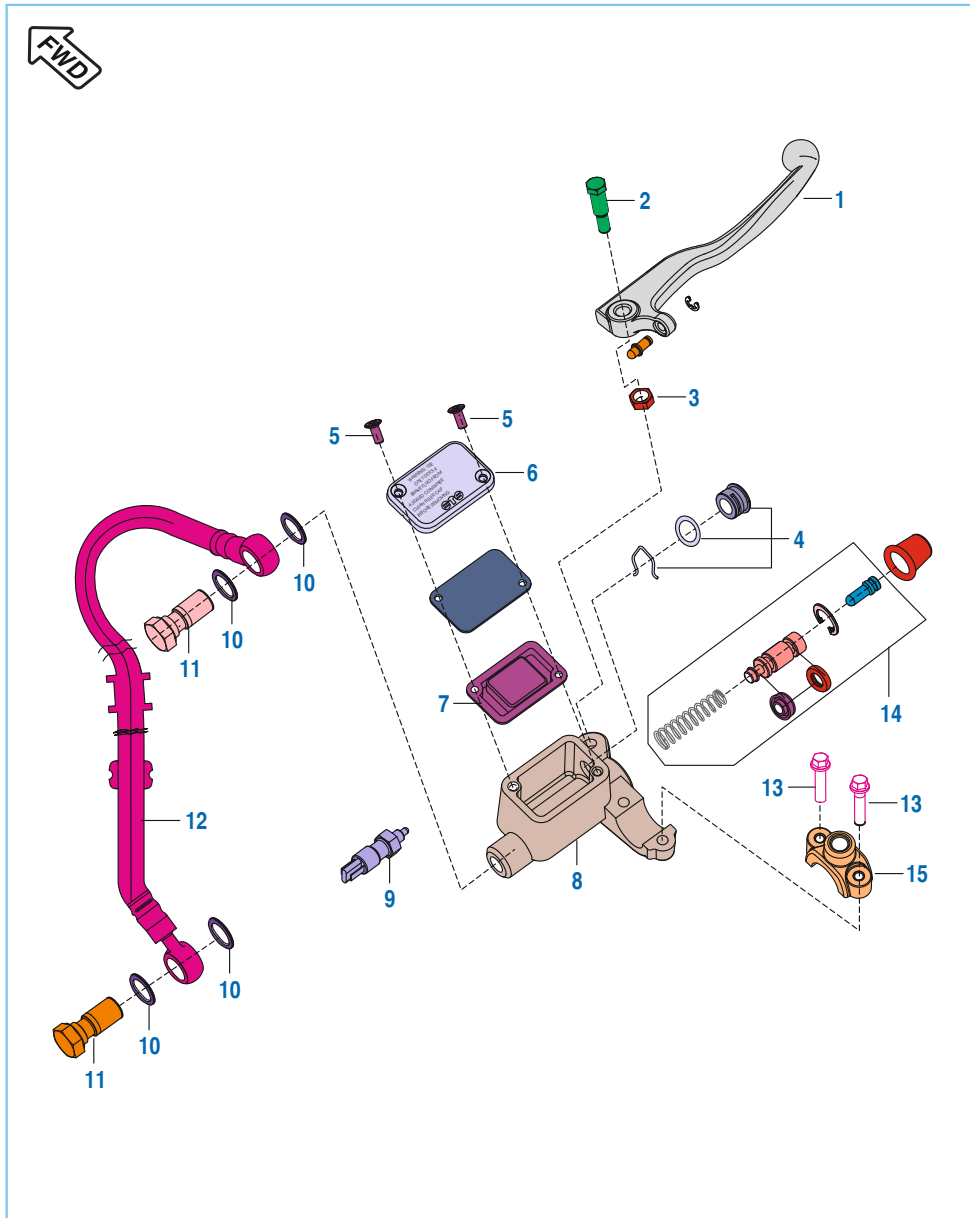
No.	Part No.	Description	Qty.	Remarks
1	30 1510 33	Oil Seal	1	
2	KP BB63 01	Bearing Ball	2	
3	30 1510 32	Collar Bearing	1	
4	JB 1310 17	Axle Front Wheel	1	
5	DS 1510 95	Bolt	1	N.S
6	DS 1510 92	Lever Brake Cam	1	
7	DS 1510 94	Nut	1	
8	DS 1510 87	Panel Assly Front Brake	1	
9	DS 1510 91	Indicator	1	
10	DS 1510 89	Cam Brake Assly.	1	
11	30 1510 69	Spring	2	
12	30 1510 68	Shoe Brake	2	N.S
	30 1511 05	Shoe Brake	2	alt for 30 1510 68
13	JB 1310 18	Plain Washer	1	
13A	JB 1310 22	Spacer + Dust Seal	1	
14	JB 1310 19	U Nut (M12)	1	N.S
	59 1500 03	U Nut (M12)	1	alt for JB 1310 19
15	39 0840 01	Pan Headed Screw	1	
16	39 0900 12	Washer Spring	1	
17	30 1511 18	Stopper for Bushing	1	
18	JA 1316 06	Bushing Speedo Gear	1	
19	39 1013 21	'O' Ring	2	Speedo Cable
20	36 DS 15 02	Speedometer Gear Kit	1	
21	30 1510 35	Seal Oil	1	N.I.
22	30 1510 42	Washer Plain	2	Gear Meter Screw
	39 0242 11	Washer Plain	2	alt for 30 1510 42
23	39 0840 01	Screw	1	To Secure
24	30 1510 38	Ring 'O'	2	

Front Hub (Disc brake)



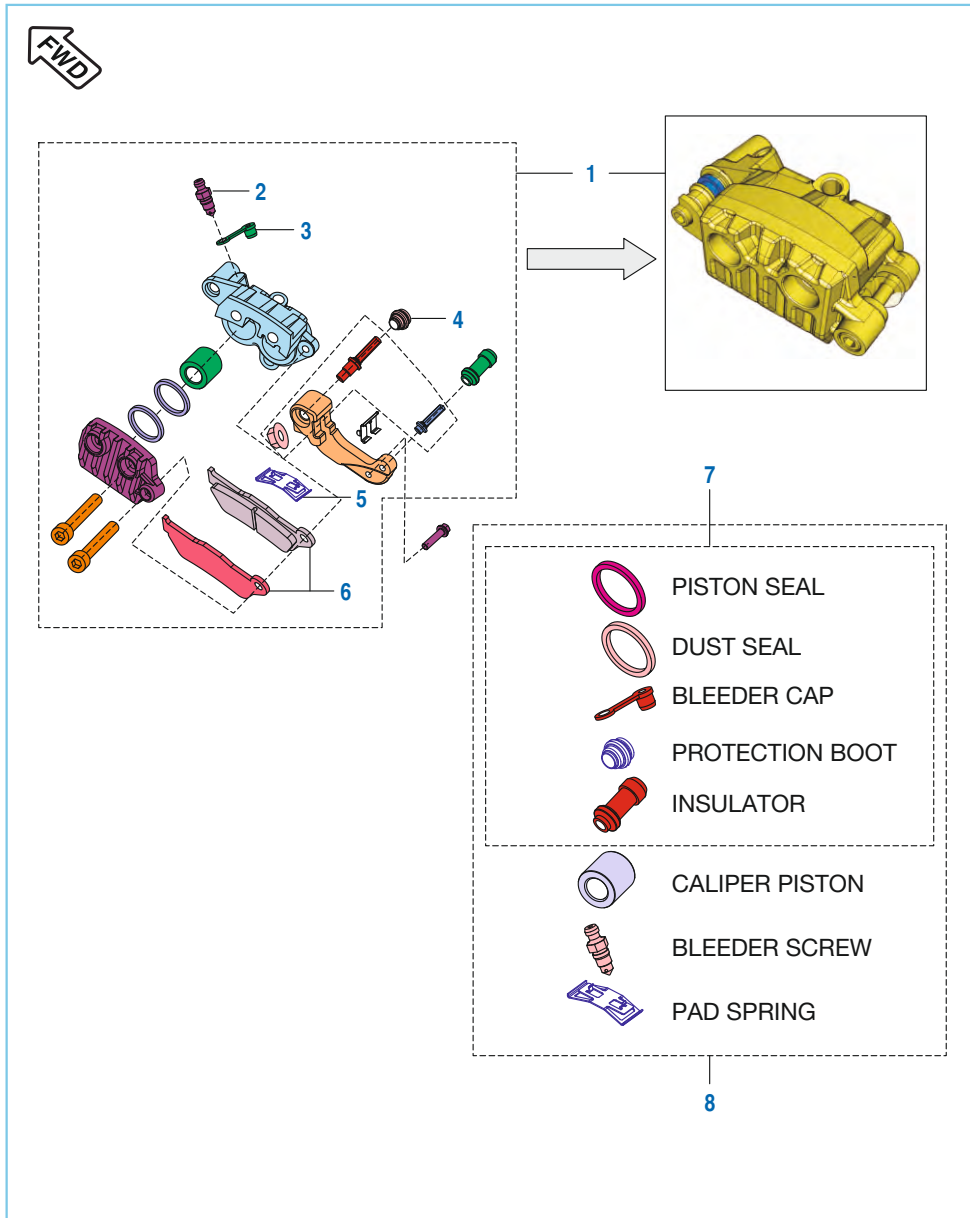
No.	Part No.	Description	Qty.	Remarks
1	KP BB63 01	Bearing - Ball 6301 RS1/C3	2	(12X37X12)
2	DE 1510 06	Spacer Assembly	1	
3	30 1510 33	Seal - Oil	1	
4	DE 1510 12	Plate - Drive For	1	Speedometer Gear
5	DE 1510 08	Seal - Oil	1	
6	JZ 1318 18	Disc Brake - 200 Mm	1	
7	LA C000 02	Socket Head Bolt M-6, 10.9	5	
8	JN 1310 03	Spacer	1	N.S
	DS 1510 58	Spacer	1	alt for JN 1310 03
9	JZ 1316 01	Case Meter Assy - Gear	1	
10	JB 1310 17	Axle Front	1	
11	JB 1310 18	Plain Washer	1	
12	59 1500 03	U Nut M12	1	
13	JW 1812 41	Cover Disc	1	
14	JN 1812 11	Clip Nut - M6	1	Disc Cover Mtg.
15	LB U000 04	Step Bolt - M5x12L- 4.8	1	Disc Cover Mtg.
16	LB U000 05	Screw Truss- M6x35 L,4.8	1	Disc Cover Mtg.

Front Master Cylinder (Disc brake)



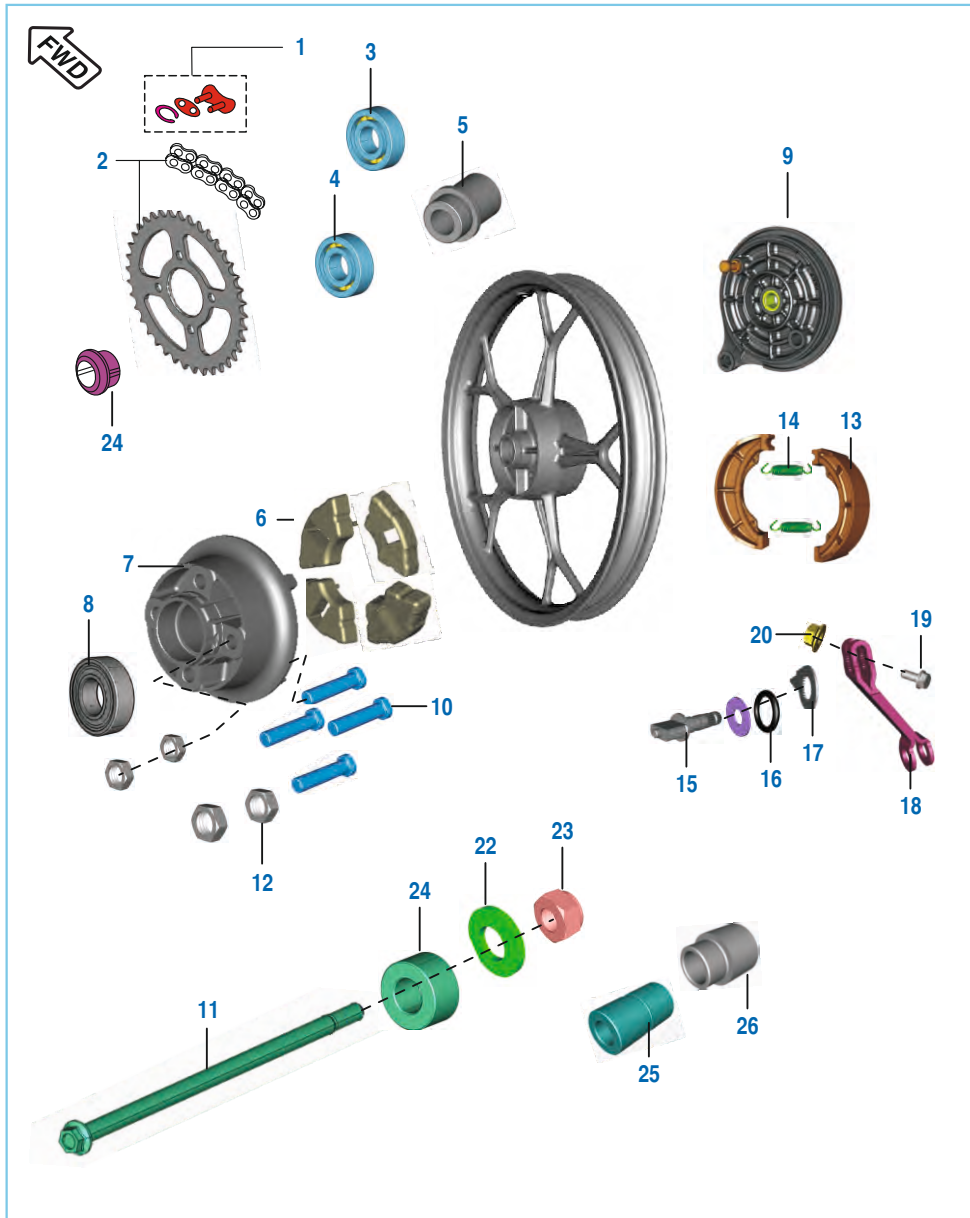
No.	Part No.	Description	Qty.	Remarks
1	DJ 1910 59	Lever Front Brake	1	
2	DJ 1910 29	Bolt Front Lever	1	
3	DJ 1910 30	Nut	1	
4	DE 1910 35	Oil Window Kit	1	
5	DJ 1910 31	Screw	2	
6	DJ 1910 34	Cover - Reservoir	1	
7	DJ 1910 35	Diaphragm	1	
8	DJ 1910 58	Master Cylinder with lever	1	
9	DJ 2011 09	Switch	1	
10	DJ 1910 25	Washer - Copper	4	
11	DJ 1910 26	Bolt - Banjo	2	
12	PA 1318 44	Hose Assembly	1	
13	LA D000 37	Bolt Flanged M8X1X50	2	
14	36 DJ40 31	Major Kit Major Master Cyl	1	
15	DJ 1910 27	Clamp - Holder : RH	1	

Front Caliper Assembly (Disc brake)



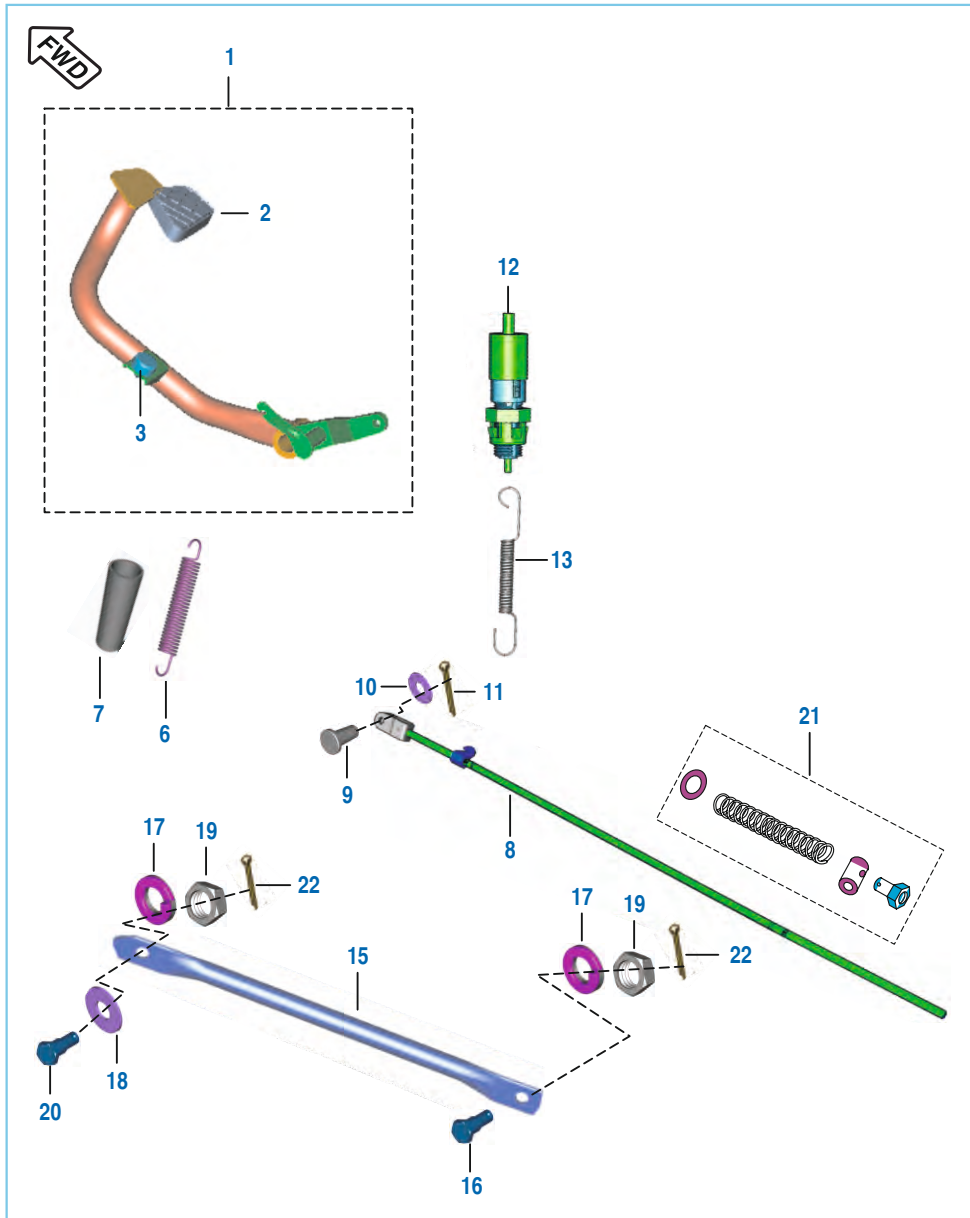
No.	Part No.	Description	Qty.	Remarks
1	JW 1318 01	Caliper Assy Brake Front	1	
2	DE 1510 46	Screw Bleeder	1	
3	DE 1510 47	Bleeder Cap	1	
4	JL 1318 07	Boot	1	
5	DE 1510 48	Spring	1	
6	JW 1318 07	Brake Pad Set	1	
7	36 DJ40 32	Minor Kit	1	
8	36 DJ40 33	Major Kit	1	

Rear Hub



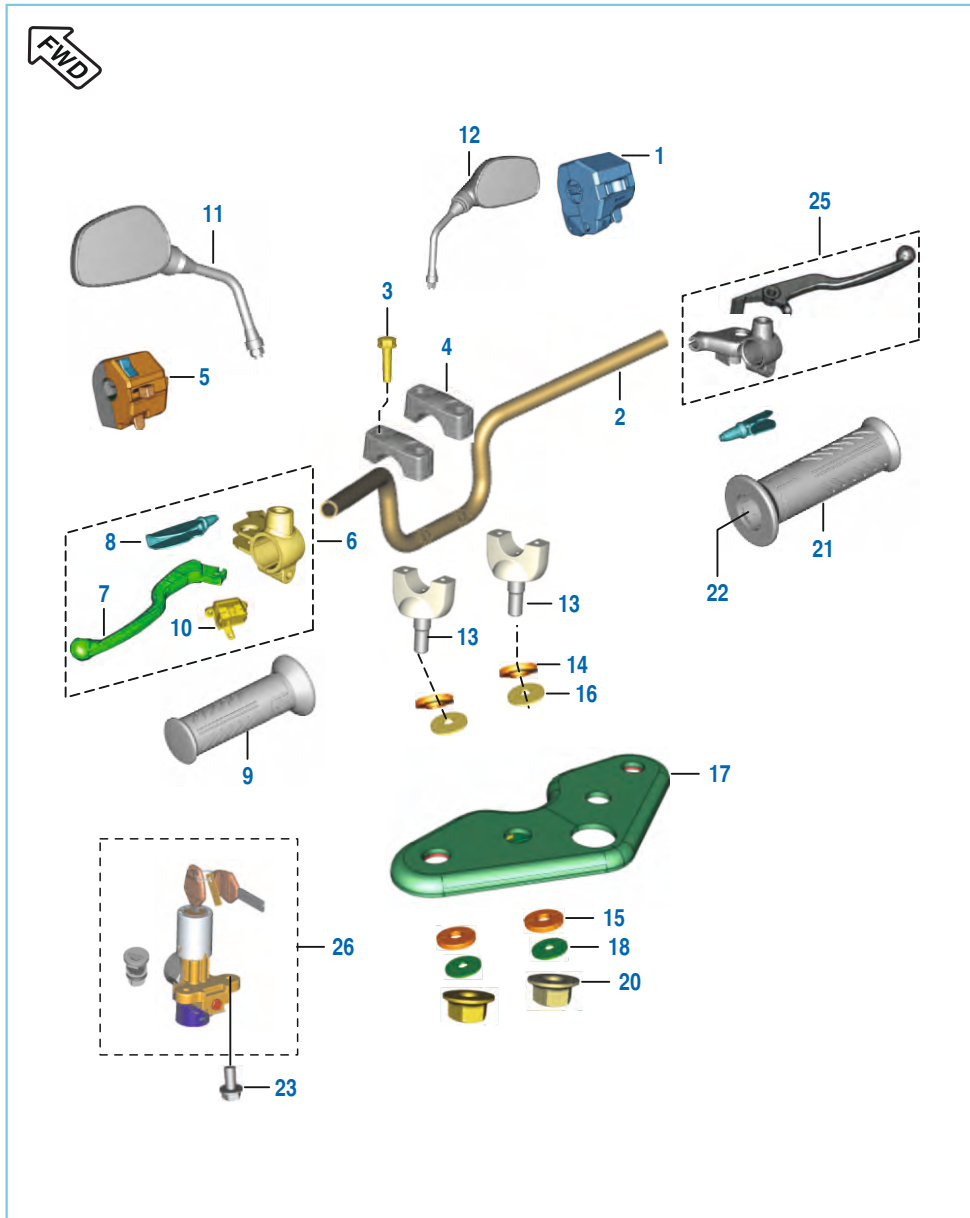
No.	Part No.	Description	Qty.	Remarks
1	JD 1410 03	Drive Chain Lock	1	
2	36 Jz00 07	Kit Chain Sprocket	1	
3	KP BB62 02	Bearing ball C3 Clearance	1	
4	KP BB63 02	Bearing ball C3 Clearance	1	
5	31 1510 18	Collar-Bearing	1	
6	PA 1312 63	Coupling Rubber	1	
7	DS 1510 68	Coupling	1	
8	KP BC60 04	Ball Bearing	1	
9	JA 1312 05	Panel Rear Brake	1	
10	PA 1312 61	D Bolt	4	
11	JN 1312 11	Axle Rear	1	
12	LC L000 03	Nut U Flange	4	
13	31 1510 07	Shoe Brake	2	N.S
14	30 1510 69	Spring	2	
15	JB 1312 23	Cam Brake Assly.	1	
16	30 1510 38	'O' Ring	1	
17	DS 1510 90	Wear Indicator	1	
18	PA 1318 35	Lever Cam Brake	1	
19	JB 1312 24	Hex Bolt with Flange	1	N.S
20	DS 1510 94	Flange Nut	1	
21	JB 1312 25	Hex Nut M18	1	N.S
	39 0988 15	Hex Nut M18	1	alt for JB 1312 25
22	DX 1510 18	Washer Plain	1	
23	DH 1710 19	Nut - U M12	1	
24	PA 1312 17	Collar Assy	1	
25	PF 1312 27	Collar	1	
26	PF 1312 25	Sleeve	1	
27	DX 1510 15	Plain Washer	1	
28	LC A000 01	Nut Hex M20X1X12	1	N.S
	39 0801 15	Nut Hex M20X1X12	1	alt for LC A000 01

Rear Brake Pedal



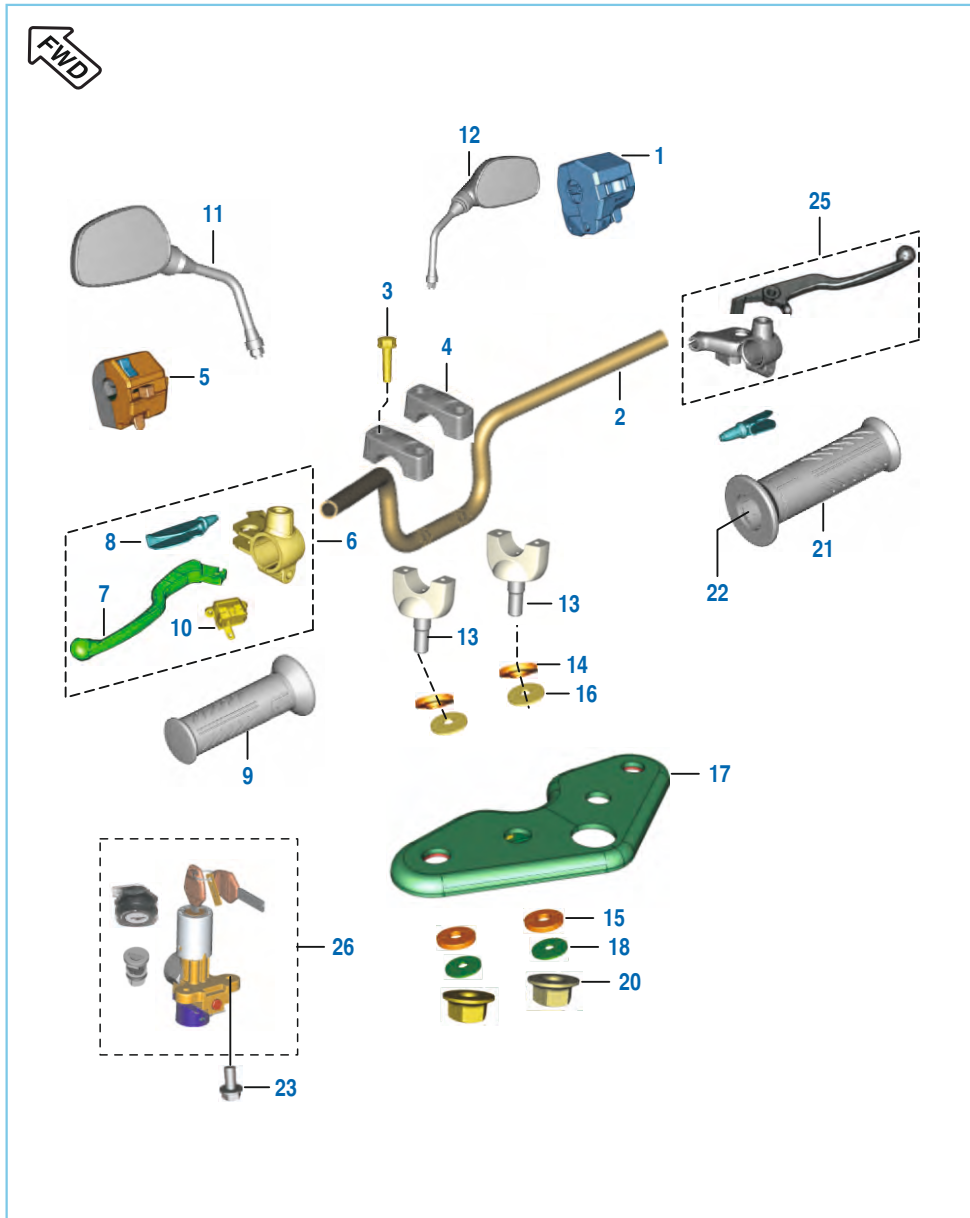
No.	Part No.	Description	Qty.	Remarks
1	PA 1610 06	Assly Brake Pedal	1	
2	JZ 1610 19	Pad Brake Pedal	1	
3	DD 1610 78	Damper	1	
6	JD 1610 02	Spring Brake Pedal	1	
7	JD 1610 06	Sleeve Brake Return Spring	1	
8	PA 1318 50	Brake Rod D105C	1	
9	JZ 1318 75	Pin Brake Rod	1	
10	39 0198 11	Washer - Plain	1	
11	39 0808 08	Pin - Split	1	
12	31 2010 79	Rear Brake Switch	1	
13	PA 1610 04	Spring Brake Switch	1	
15	PF 1220 19	Rod - Torque	1	
16	DH 1510 29	Bolt - Step :- Torque Rod	1	
17	39 0789 12	Washer - Spring	2	
18	39 1540 11	Washer - Plain	1	
19	39 0694 15	Nut - Hexagon Lock	2	M8 X 1.25
20	30 1510 96	Bolt - Hexagon	1	
21	36 DK00 17	Kit Hardware Br Rod	1	
22	39 0807 08	Pin - Split	2	

Handle Bar Assly



No.	Part No.	Description	Qty.	Remarks
1	PA 4014 05	Control Switch RH	1	
2	PA 1510 20	Handle Bar	1	
3	39 1074 04	Bolt - Flanged	4	
4	FD 1810 30	Holder Handle Upper	2	
5	JB 4014 00	Control Switch LH	1	
6	JZ 1610 23	Lever & Support Holder LH	1	
7	DJ 1910 83	Lever Grip Left	1	
8	DS 1910 52	Lever Boot LH For	1	
9	PA 1510 13	Hand Grip LH	1	
10	JZ 4014 03	Clutch Switch	1	
11	PA 2316 00	Mirror LH	1	
12	PA 2316 01	Mirror RH	1	
13	FD 1810 31	Holder Handle Lower	2	
14	FD 1810 20	Washer Plain	2	N.S
15	FD 1810 19	Washer	2	
16	DF 1810 91	Damper Upper	2	
17	PA 1510 11	Holder Fork Upper	1	
18	DF 1810 92	Damper Lower	2	
19	DD 2011 70	Front Brake Switch With Lever	1	N.I.
	PA 4014 03	Front Brake Switch With Lever	1	N.I. N.S
20	39 2249 15	Nut	2	N.S
21	PA 1510 14	Hand Grip RH	1	
22	DX 1910 01	Pipe Throttle	1	
23	39 1912 04	Bolt Flange	2	
	39 2453 04	Bolt Flange	2	Alt for 39191204

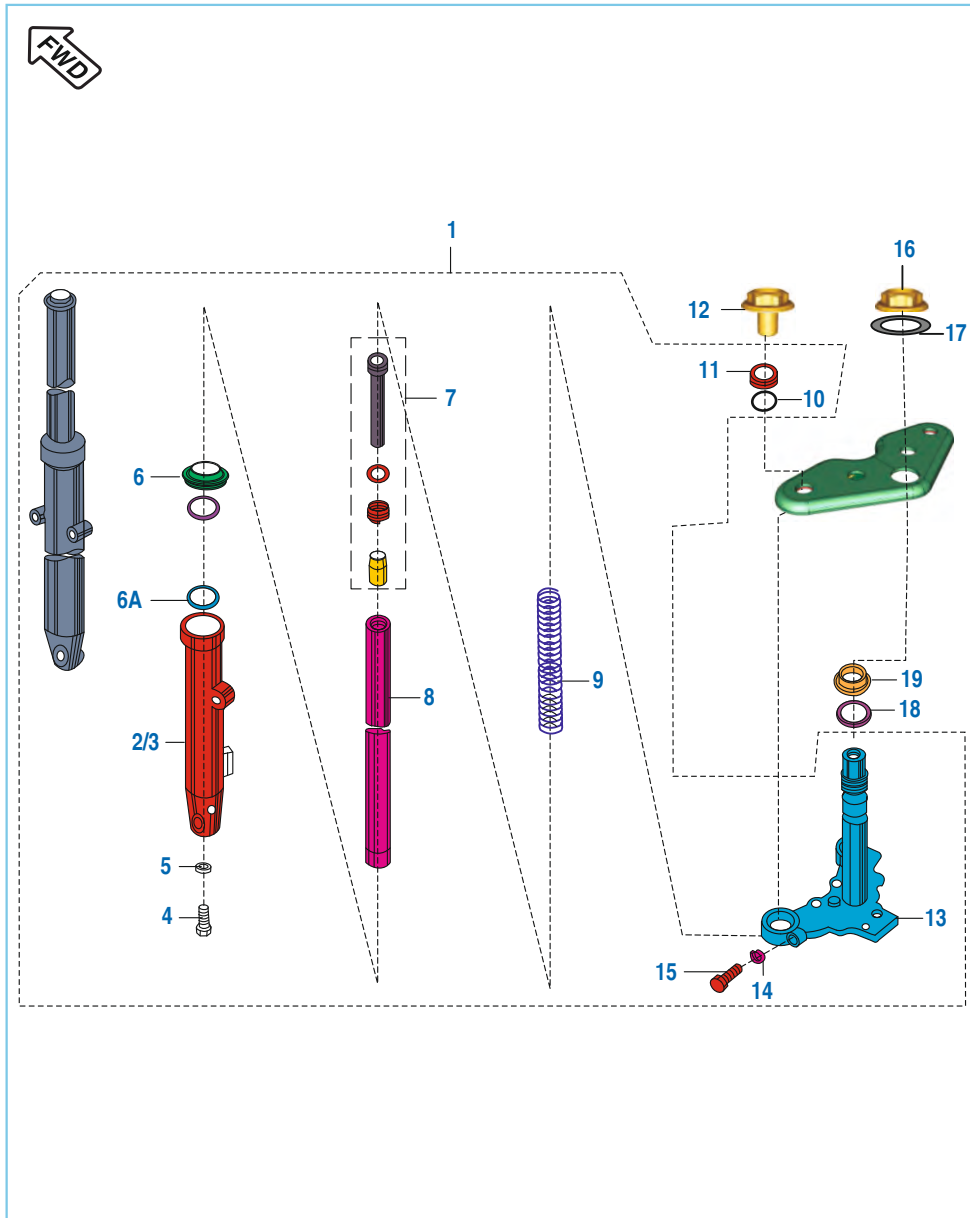
Handle Bar Assly



No.	Part No.	Description	Qty.	Remarks
24	30 1910 48	Band	2	N.I.
25	DX 1910 09	Lever Assembly RH	1	
26	YP A130 01	Lock Set - D100M	1	
	YP A130 14	Lock Set - D100M	1	
27	PA 4014 09	Ignition Switch	1	N.S
	YP A130 01	Ignition Switch	1	alt for PA 4014 09
	JZ 4014 00	Ignition Switch	1	

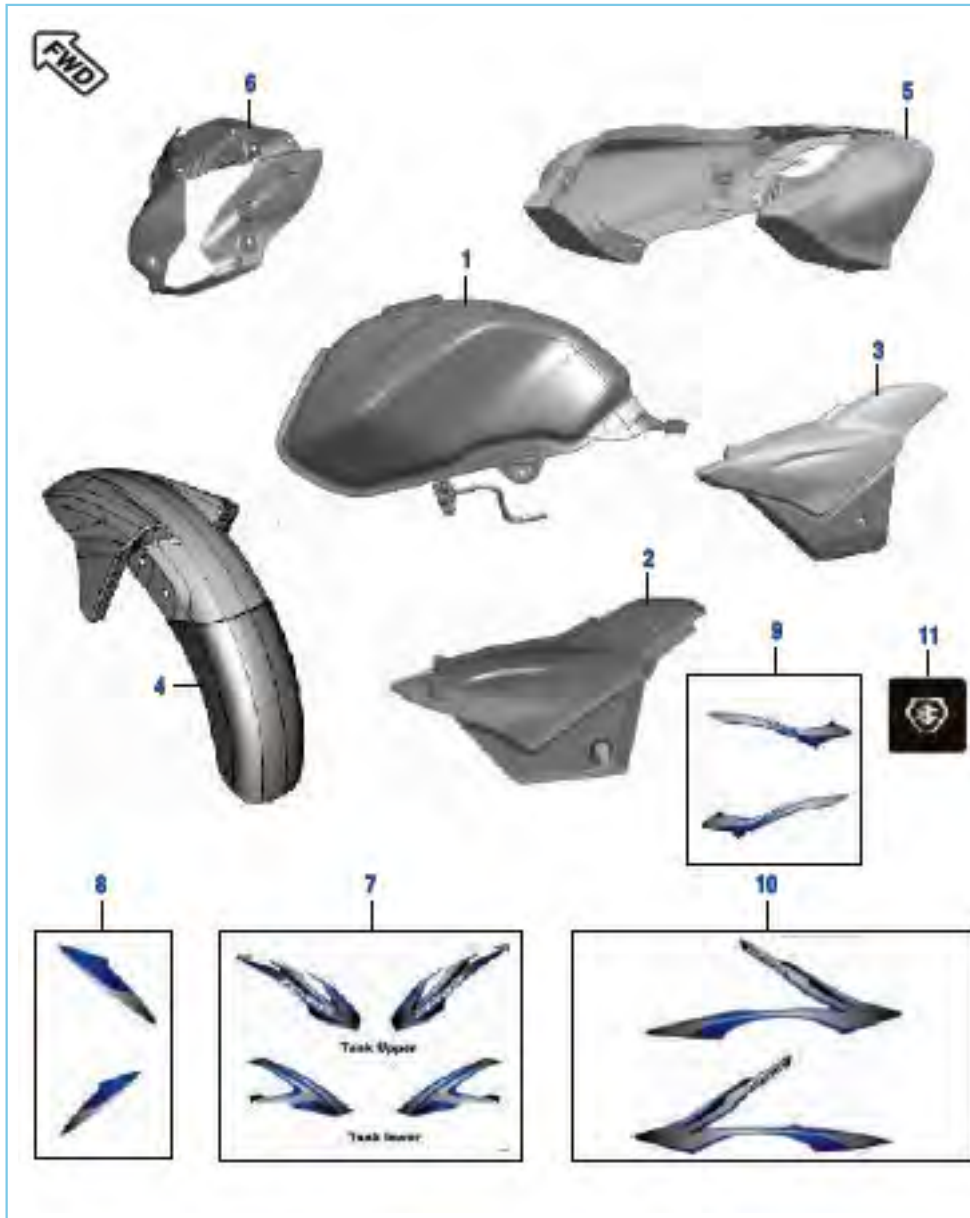


Front Fork



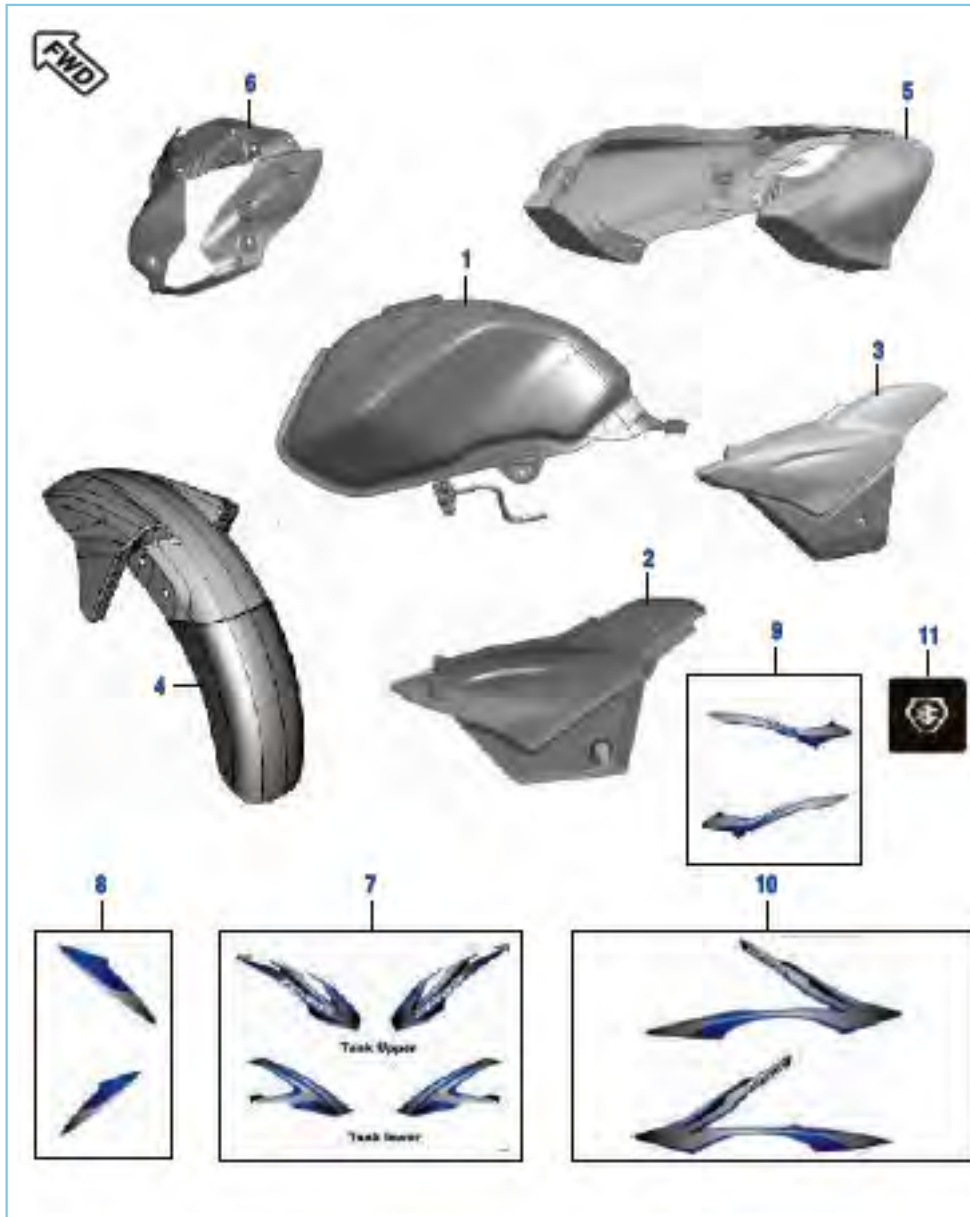
No.	Part No.	Description	Qty.	Remarks
1	PA 1210 30	Assly Front Fork	1	Drum Brake
	PA 1210 36	Assly Front Fork	1	Disc Brake
2	PA 1210 34	Tube Outer LH	1	Drum Brake
	PA 1210 39	Tube Outer LH	1	Disc Brake
3	PA 1210 35	Tube Outer RH	1	Drum Brake
	PA 1210 40	Tube Outer RH	1	Disc Brake
4	30 1810 25	Socket Head Bolt	2	
5	30 1810 26	Gasket	2	
6	DD 1810 32	Seal Dust	2	
6A	DL 1810 80	Seal Oil	2	
7	36 PA01 21	Kit Cylinder Fork	2	
8	PA 1210 42	Fork Pipe Spinning	2	
9	PA 1210 17	Spring Main	2	
10	30 1810 29	'O' Ring	2	
11	DS 1810 12	Bolt Fork	2	
12	59 0400 06	Hex Bolt	2	
13	PA 1210 46	Assembly Under Bracket	1	Drum Brake
	JZ 1210 15	Assembly Under Bracket	1	Disc Brake
14	39 0789 12	Washer Spring	2	
15	39 1181 01	Bolt Hexagon Head M8X40	2	
16	DS 1810 15	Cap Nut Fork	1	
17	DS 1810 16	Plain Washer	1	
18	JZ 1510 81	Washer Head Pipe Bottom	1	
19	JZ 1510 91	Seal Dust	1	

Painted Parts and Decals



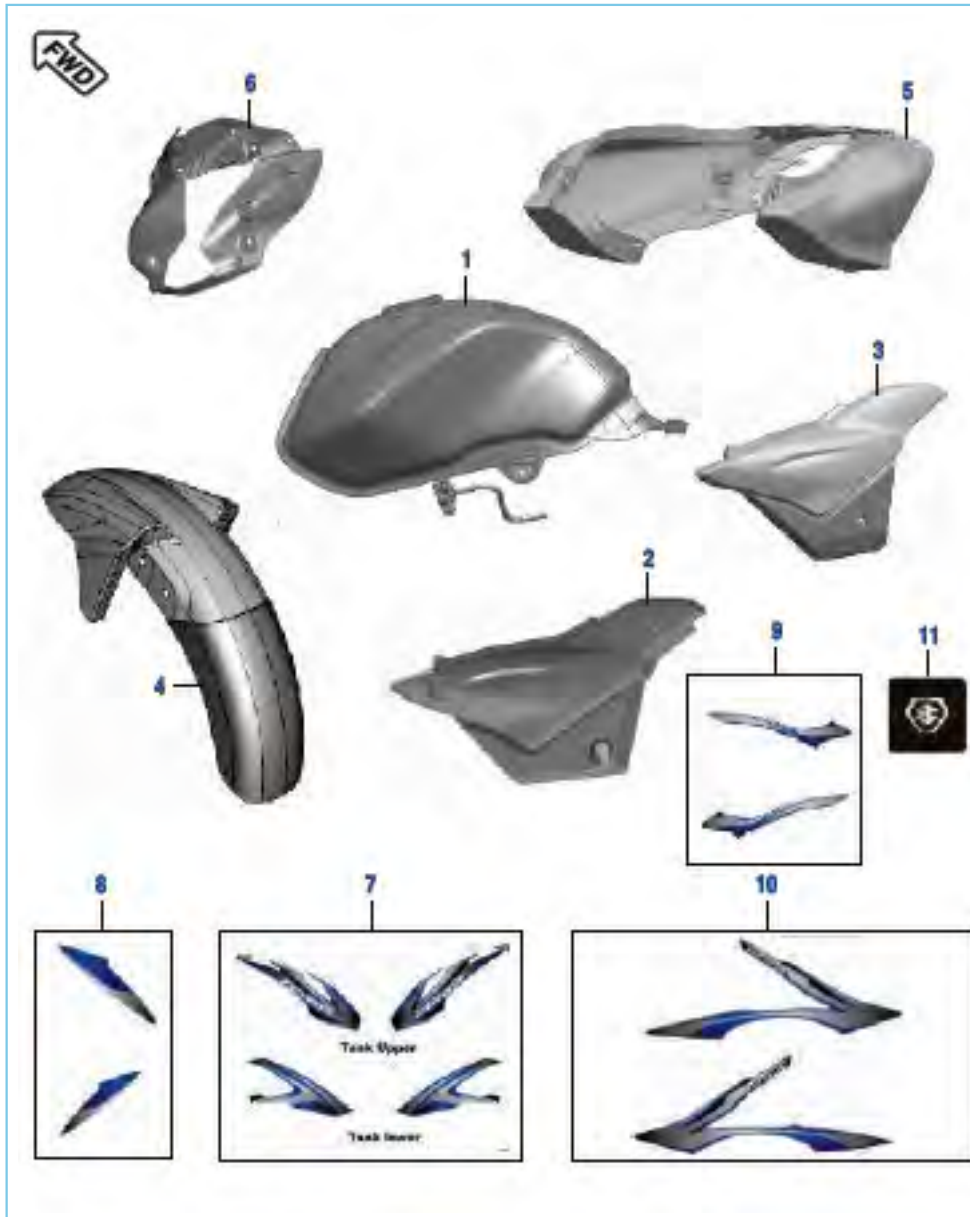
No.	Part No.	Description	Qty.	Remarks
1	52 PA05 24	Fuel Tank El. Blue Wh Decal	1	
	52 PA05 25	Fuel Tank Wine Red Wh Decal	1	
	52 PA05 38	Fuel Tank C Black Dcl (MGN SIL)	1	
	52 PA05 39	Fuel Tank C Black Dcl (GR SIL)	1	
	52 PA05 72	Fule Tank PL Sil Gold Black Dcl	1	
	52 PA05 71	Fule Tank PL Sil Ice Blue Dcl	1	
	PA 7104 5V	Fuel Tank Olive Yellow Dcl	1	
	PA 7104 5W	Fuel Tank Cerulean Blue Dcl	1	
	PA 7104 3C	Fuel Tank Mn Red Dcl	1	
	2	52 PA05 16	Side Cover LH El. Blue Wh Dcl	1
52 PA05 17		Side Cover LH Wine Red Wh Dcl	1	
52 PA05 28		S Cover LH C Blk Dcl (MG SIL.)	1	
52 PA05 29		S Cover LH C Blk Dcl (GR. SIL)	1	
52 PA05 63		S Cover LH PL Blue Dcl	1	
52 PA05 65		S Cover LH PL Sil Gold Blk Dcl	1	
PA 7403 5V		Side Panel LH Olive Yellow Dcl	1	
PA 7403 5W		Side Panel LH Cerulean Blue Dcl	1	
PA 7403 3C		Side Panel LH Black Red Dcl	1	
3		52 PA05 19	Side Cover RH Wine Red Wh Dcl	1
	52 PA05 18	Side Cover RH El. Blue Wh Dcl	1	
	52 PA05 30	S Cover RH C Blk Dcl (MGN SIL)	1	
	52 PA05 31	S Cover RH C Blk Dcl (GR SIL)	1	
	52 PA05 68	S Cover RH Pla sil wh blue dcl	1	
	52 PA05 69	S Cover RH PI Sil Wh Gold Dcl	1	
	PA 7404 5V	Side Panel RH Olive Yellow Dcl	1	
	PA 7404 5W	Side Panel RH Cerulean Blue Dcl	1	
	PA 7404 3C	Side Panel RH Black Red Dcl	1	

Painted Parts and Decals



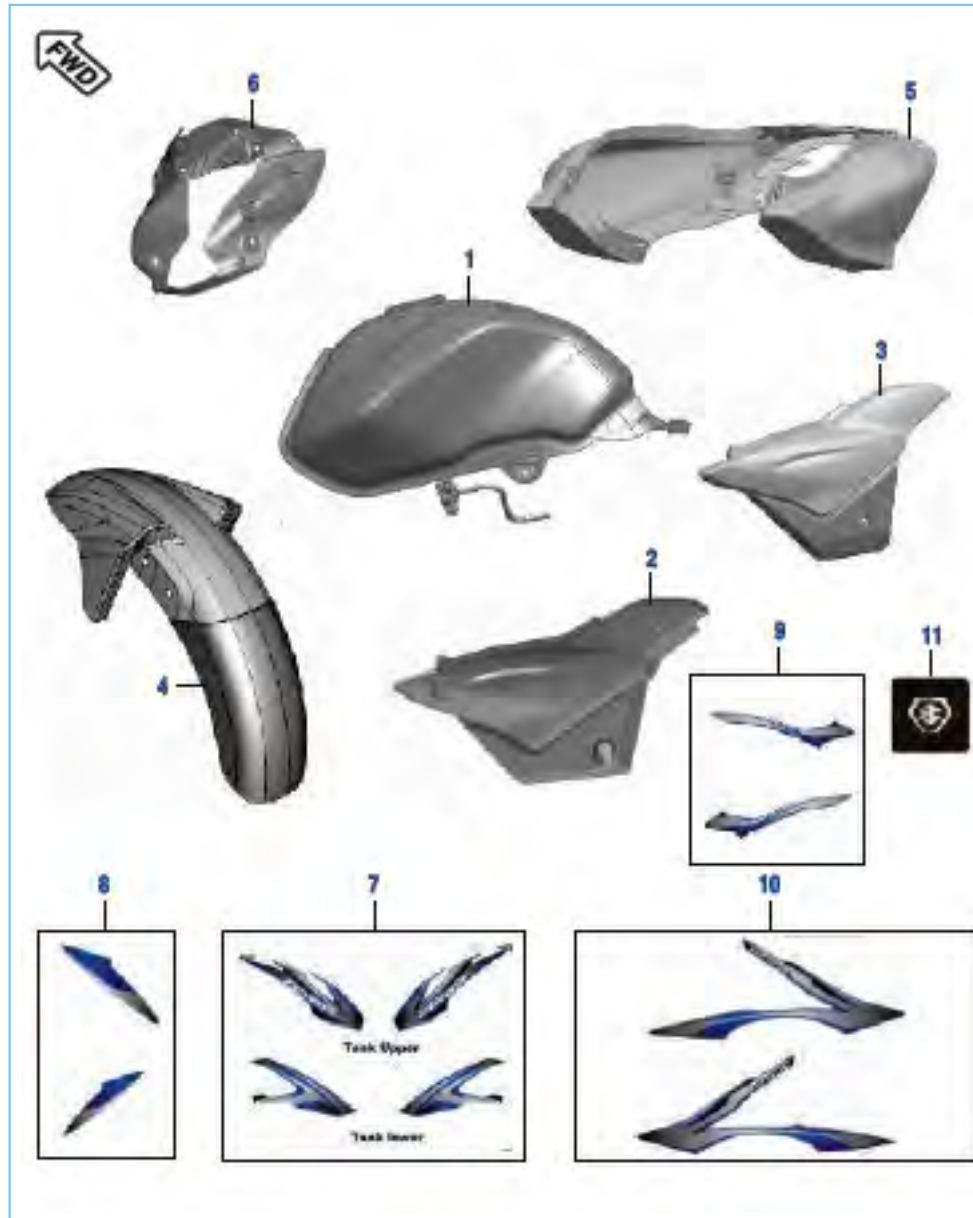
No.	Part No.	Description	Qty.	Remarks
4	56 Pa05 3E	Fr. Fender Electron	1	
	56 PA05 6C	Fr. Fender Wine Red	1	
	56 PA05 6D	Fr. Fender Charcoal	1	
	56 PA05 6E	Fr. Fender Platinum	1	
5	52 PA05 20	S Cowl El. Blue Wh Dcl	1	
	52 PA05 21	S Cowl Wine Red Wh Dcl	1	
	52 PA05 32	S Cowl C Blk Dcl (MGN SIL)	1	
	52 PA05 33	S Cowl C Blk Dcl (GR SIL)	1	
	52 PA05 61	S Cowl PI Sil Wh Gold Dcl	1	
	52 PA05 60	S Cowl PI Sil Wh Dcl	1	
	52 PA07 03	S Cowl S/a Eb. Blk Wh Olive Yellow	1	
	52 PA07 01	S Cowl S/a Eb. Blk Wh Red	1	
6	52 PA05 22	Fairing El. Blue Wh Decal	1	
	52 PA05 23	Fairing Wine Red Wh Decal	1	
	52 PA05 36	Fairing C Blk Dcl (MGN SIL)	1	
	52 PA05 37	Cowling C Blk Dcl (GR SIL)	1	
	52 PA05 55	Cowling PI Sil Wh Gold Black	1	
	52 PA05 54	Cowling PI Silver Ice Blue Black	1	
	PA 7405 5V	Fairing Black Olive Yellow Dcl	1	
	PA 7405 5W	Fairing Black Cerulean blue Dcl	1	
	PA 7405 3C	Fairing Black Red Dc	1	

Painted Parts and Decals



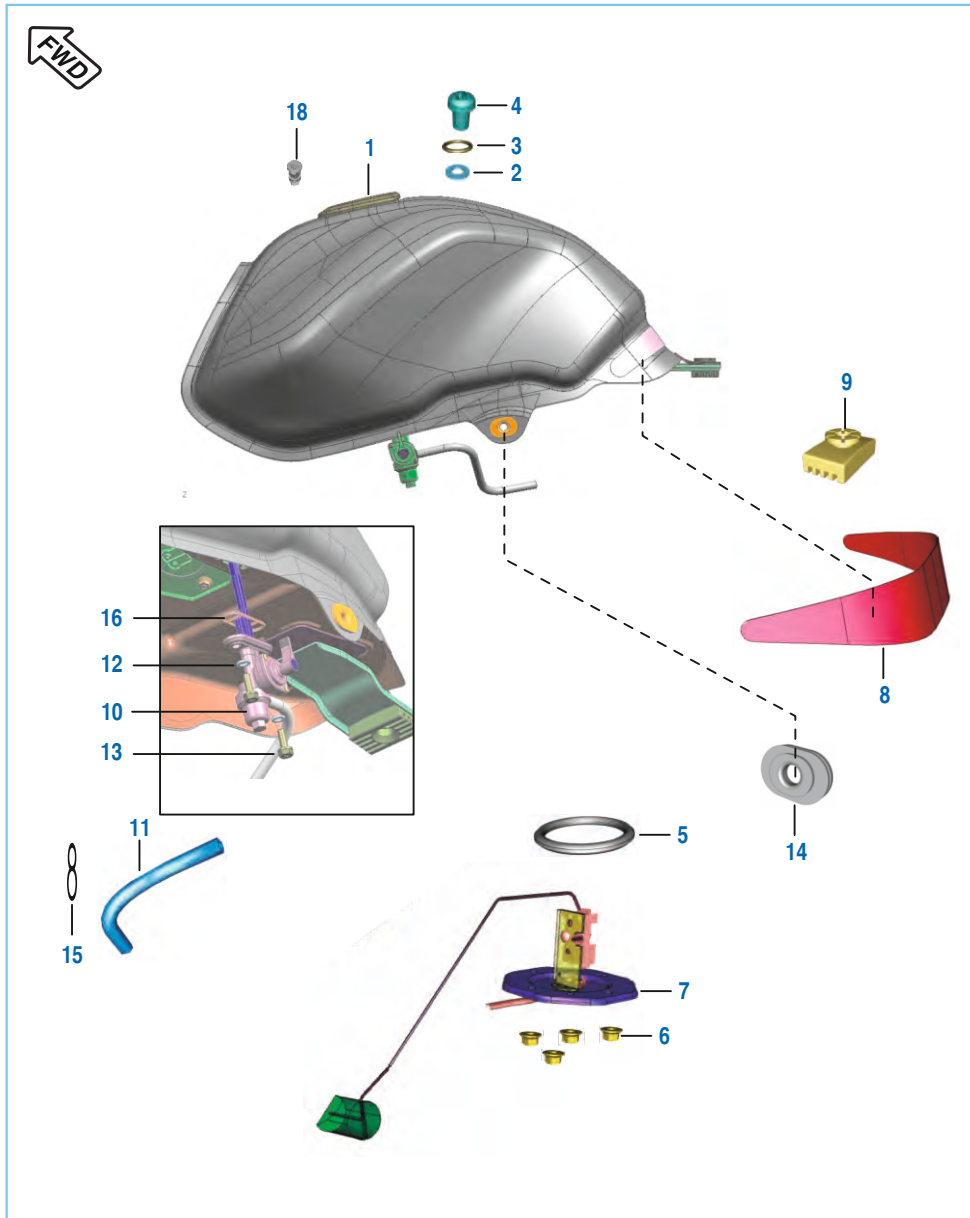
No.	Part No.	Description	Qty.	Remarks
7	PA 2332 47	Tank Dcl-Blue	1	
	PA 2332 59	Tank Dcl-Red	1	
	PA 2332 71	Tank Dcl-Magenta	1	
	PA 2332 83	Tank Dcl-Green	1	
	JZ 2332 01	Kit Tank Dcl-p Silver Blue	1	
	JZ 2332 13	Kit Tank Dcl-p Gold Black	1	
	PA 2332 27	Kit Tank Dcl Olive Yellow	1	
	PA 2331 38	Kit Tank Dcl Black Cerulean Blue	1	
	PA 2331 26	Kit Tank Dcl Black Red	1	
8	36 PA01 60	Kit Fairing Dcl-Blue	1	
	36 PA01 69	Kit Fairing Dcl-Green	1	
	36 PA01 66	Kit Fairing Dcl-Magenta	1	
	36 PA01 63	Kit Fairing Dcl-Red	1	
	36 PA01 72	Kit Fairing Dcl-P Sil Ice Blue	1	
	36 PA01 75	Kit Fairing Dcl-P Sil Gold Black	1	
	36 PA01 28	Kit Fairing Dcl Olive Yellow	1	
	36 PA01 29	Kit Fairing Dcl Cerulean Blue	1	
	36 PA01 30	Kit Fairing Dcl Black Red	1	
	9	36 PA01 61	Kit Side Cover Dcl-Blue	1
36 PA01 64		Kit Side Cover Dcl-Red	1	
36 PA01 70		Kit Side Cover Dcl-Green	1	
36 PA01 67		Kit Side Cover Dcl-Magenta	1	
36 PA01 73		Kit Side Cover Dcl-P Sil Blue	1	
36 PA01 76		Kit Side Cover Dcl-P Sil Gold	1	
36 PA01 33		Kit Side Dcl Cover Olive Yellow	1	
36 PA01 34		Kit Side Dcl Black Cerulean Blue	1	
36 PA01 35		Kit Side Dcl Black Red	1	

Painted Parts and Decals



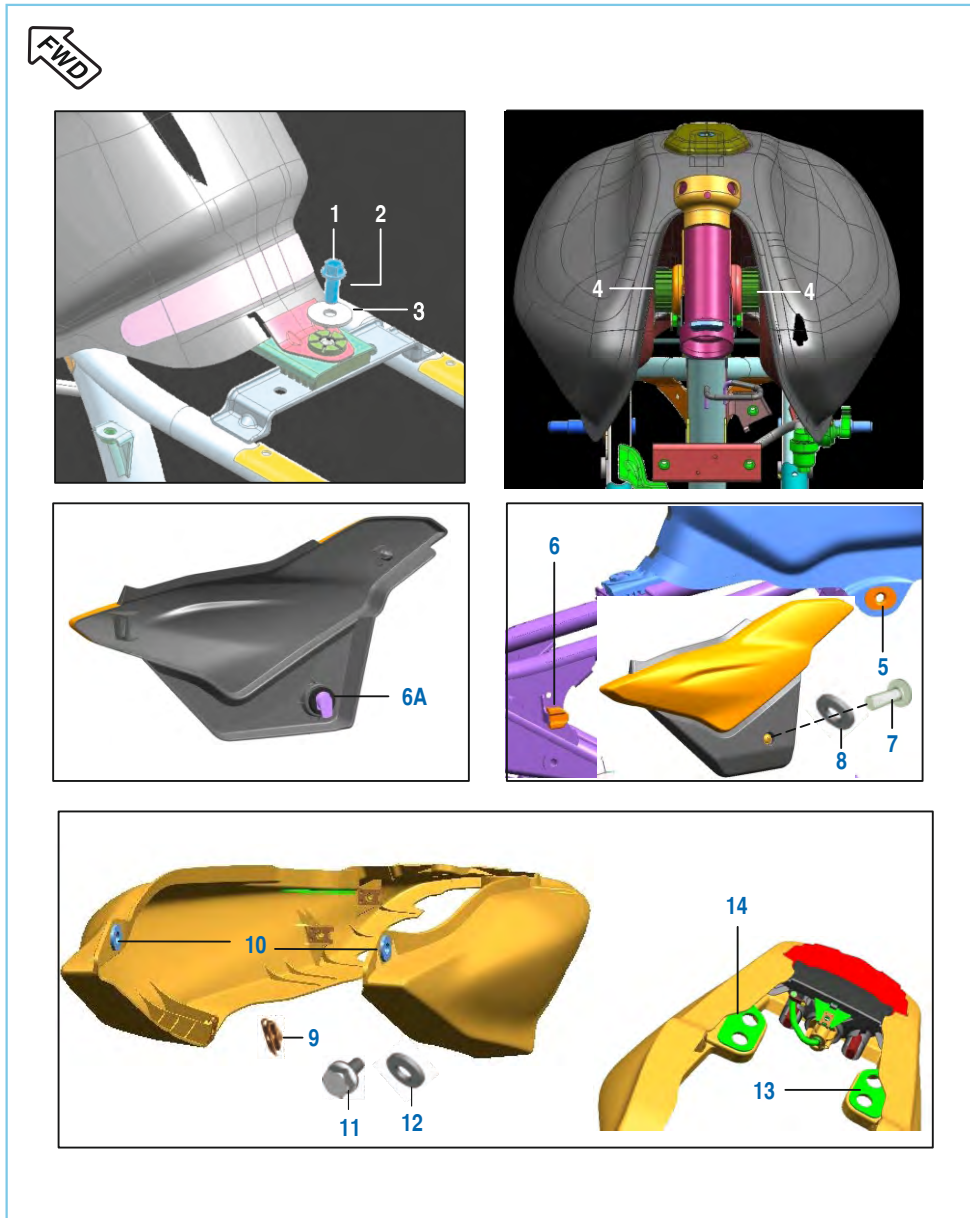
No.	Part No.	Description	Qty.	Remarks
10	36 PA01 68	Kit S Cowl Dcl-magenta	1	
	36 PA01 71	Kit S Cowl Dcl-green	1	
	36 PA01 62	Kit S Cowl Dcl-blue	1	
	36 PA01 65	Kit S Cowl Dcl-red	1	
	36 PA01 74	Kit S Cowl Dcl-p Sil Ice Blue	1	
	36 PA01 77	Kit S Cowl Dcl-p Sil Gold Blk	1	
	36 PA01 82	Kit S Cowl Dcl-Blk Cerulean Blue	1	
	36 PA01 83	Kit S Cowl Dcl-Olive Yellow	1	
	36 PA01 81	Kit S Cowl Dcl-Black Red	1	
11	JZ 2331 77	Fairing Decal B Logo	1	

Petrol Tank, Cap Tank and Gauge Fuel



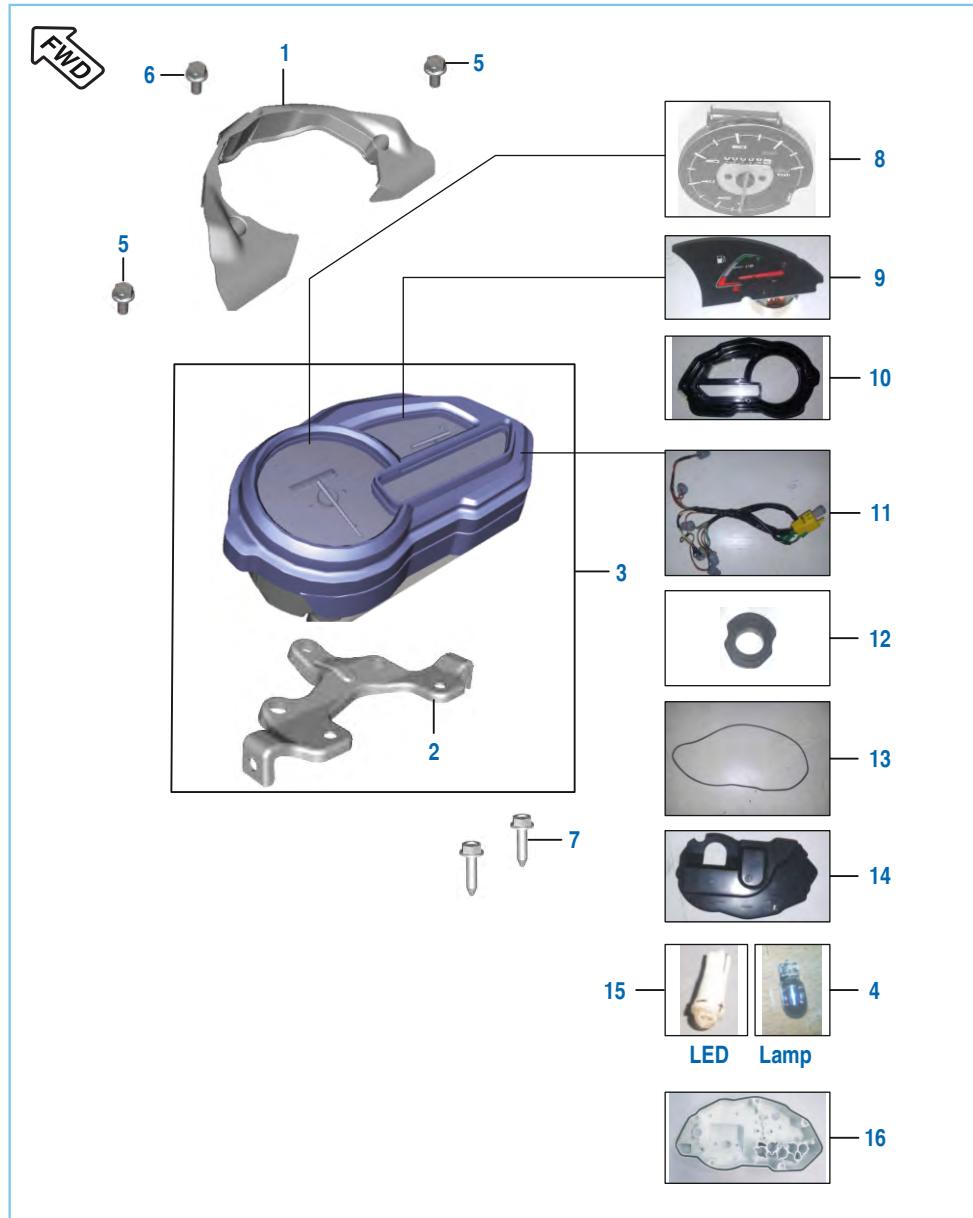
No.	Part No.	Description	Qty.	Remarks
1	JZ 1710 04	Cap Fuel Tank	1	
2	39 2179 24	Washer	2	
3	30 1410 31	Ring - 'O'	2	
4	39 0761 01	Screw Pan Cross - M5	2	
5	39 2758 21	Ring - O I.D. 40 X 5	1	N.S
	DK 1410 28	Ring - O I.D. 40 X 5	1	alt for 39 2758 21
6	39 2484 15	Nut - Flange :- M5	4	
7	PA 4026 01	Gauge Fuel Tank	1	
8	PA 1710 17	Tape Seat	1	
9	JD 1110 52	Grommet Tank mtg	1	
10	JZ 1718 09	Fuel Tap	1	
11	JZ 1718 22	Pipe Fuel	1	
12	39 0740 11	Washer (Non-Metallic)	2	
13	DD 1412 27	Bolt - Flanged	2	
14	DS 1410 12	Grommet Side Cover	2	
15	DK 1410 41	Pipe Clip	2	
16	30 1410 39	Packing	1	
17	DZ 1410 75	4 Valve Washer	1	N.I.
18	DH 1410 48	Rotor - Cap Lock	1	

Fittings - Petrol Tank Cover, Side Covers & Cover Seat



No.	Part No.	Description	Qty.	Remarks
1	39 1951 04	Bolt Flange	1	
	39 1956 04	Bolt Flange	1	alt for 39 1951 04
2	39 2424 11	Plain Washer	1	
3	JD 1110 52	Grommet Tank Mtg	1	
4	DJ 1410 08	Damper - Front	2	
5	DS 1410 12	Grommet- Side Cover: Fr	2	
6	JZ 1813 22	Grommet Side / C Rear	2	
6A	DU 1611 02	Damper For Lock	1	
7	DG 1611 21	Screw	1	
8	39 1789 24	Washer - Nylon	1	
9	DJ 1612 29	Clip Nut M5	2	
10	JL 1812 19	Grommet -1 Seat Cowl	2	
11	KA DD06 14	Bolt M6 X 12	2	
12	39 0722 11	Plain Washer	2	
13	PA 1812 95	Foam Seat Cowl LH	1	
14	PA 1812 96	Foam Seat Cowl RH	1	
15	LB U000 07	Screw Struss	2	
16	DH 1612 31	Lock With Key Side Cover	1	

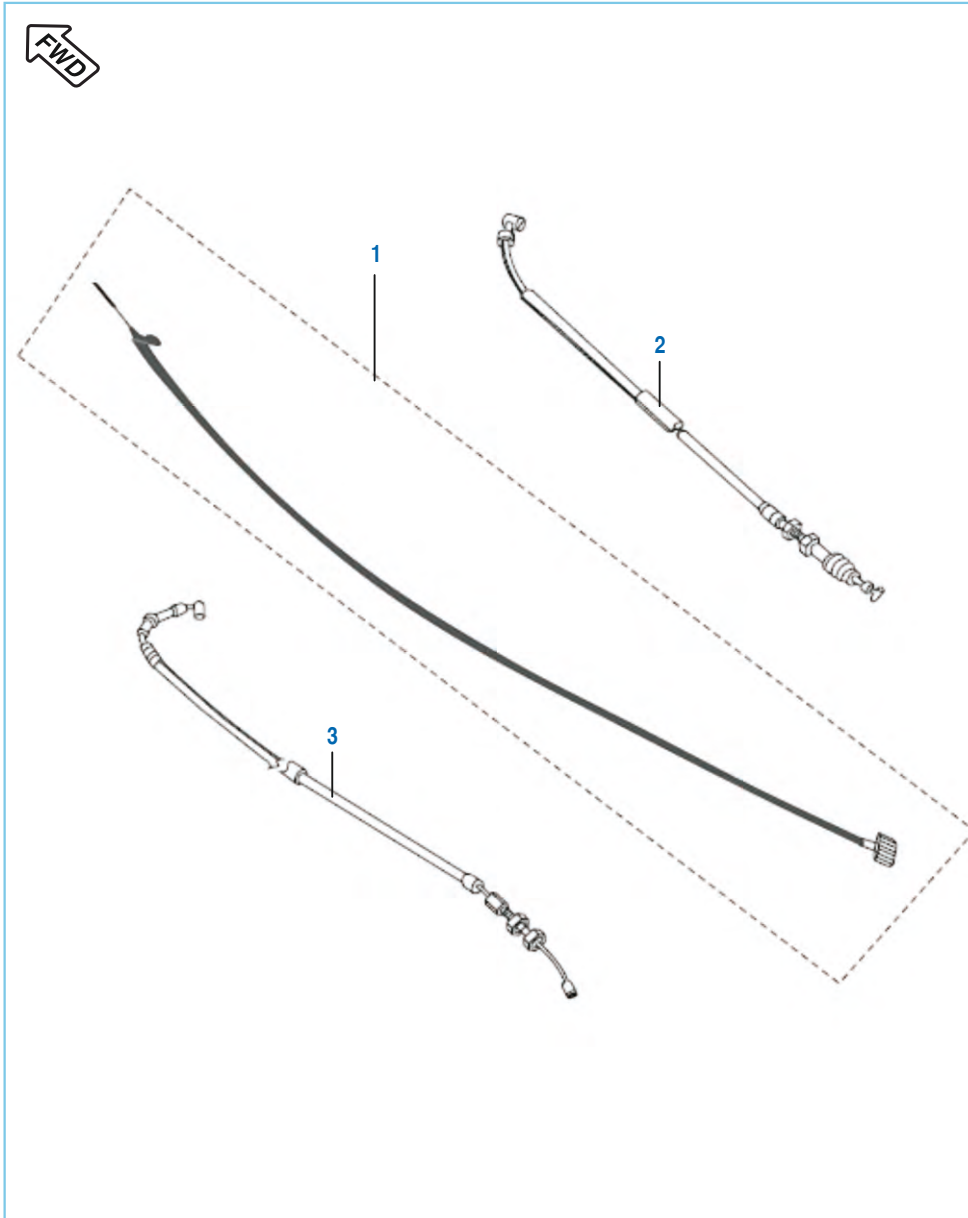
Meter Assembly



No.	Part No.	Description	Qty.	Remarks
1	PA 1812 80	Speedo Flap	1	
2	PA 1812 83	Bracket Upper Pivot Mounting	1	
3	PA 4024 40	Speedometer Assembly		
4	CM 2010 54	Lamp 12V,2W	4	For Minda Speedometer
	CM 2010 54	Lamp 12V,2W	5	For JNS Speedometer
5	LA D000 95	Bolt Flange M5	2	Flap Mounting
6	KA DB05 16	Bolt Flanged	1	Flap Mounting
7	DS 1612 87	Bolt Flange	2	
8	YP A150 02	SPD MTR With Dail-Minda-D125M	1	
	YP A130 15	SPD MTR With Dail-JNS D100M	1	
9	YP A130 05	Fuel Gauge With Dail Minda	1	
	YP A130 16	Fuel Gauge With Dail JNS	1	
10	YP A130 06	SPD MTR Top Cover Minda	1	
	YP A130 17	SPD MTR Top Cover JNS	1	
11	YP A150 03	SPD MTR Harness Minda D125M	1	
	YP A130 18	SPD MTR Harness JNS D100M	1	
12	YP A130 08	Sealing Ring Meter Minda D100M	1	
13	YP A130 09	Sealing Ring Top Cover Minda	1	
	YP A130 19	Sealing Ring Top Cover JNS	1	
14	YP A130 10	SPD MTR Back Cover Minda	1	
	YP A130 20	SPD MTR Back Cover JNS	1	
15	PA 4010 18	LED Bajaj Logo - Minda	1	
16	YP A130 21	SPD Housing - Minda - D100M	1	
	YP A130 22	SPD Housing - JNS - D100M	1	

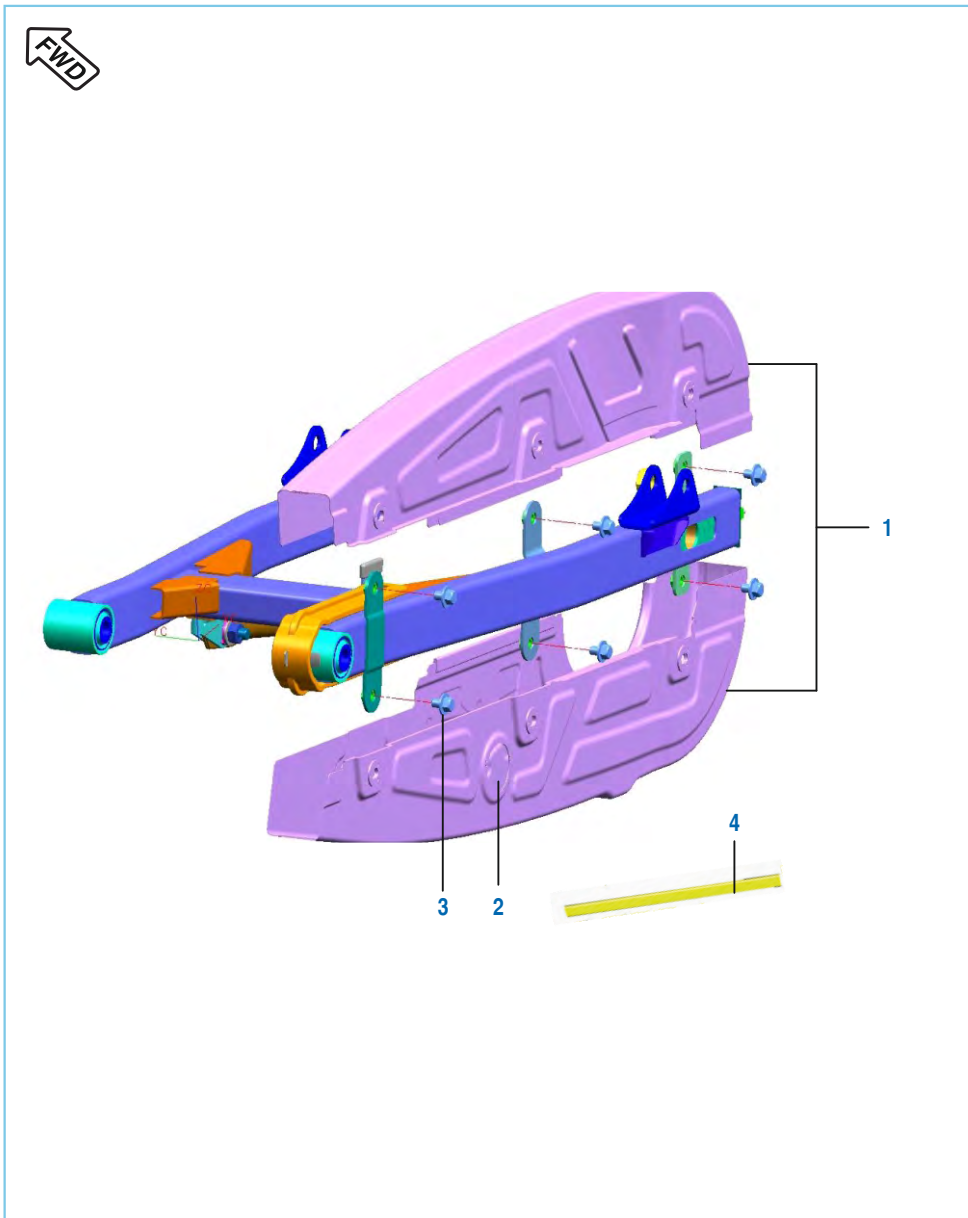


Control Cables



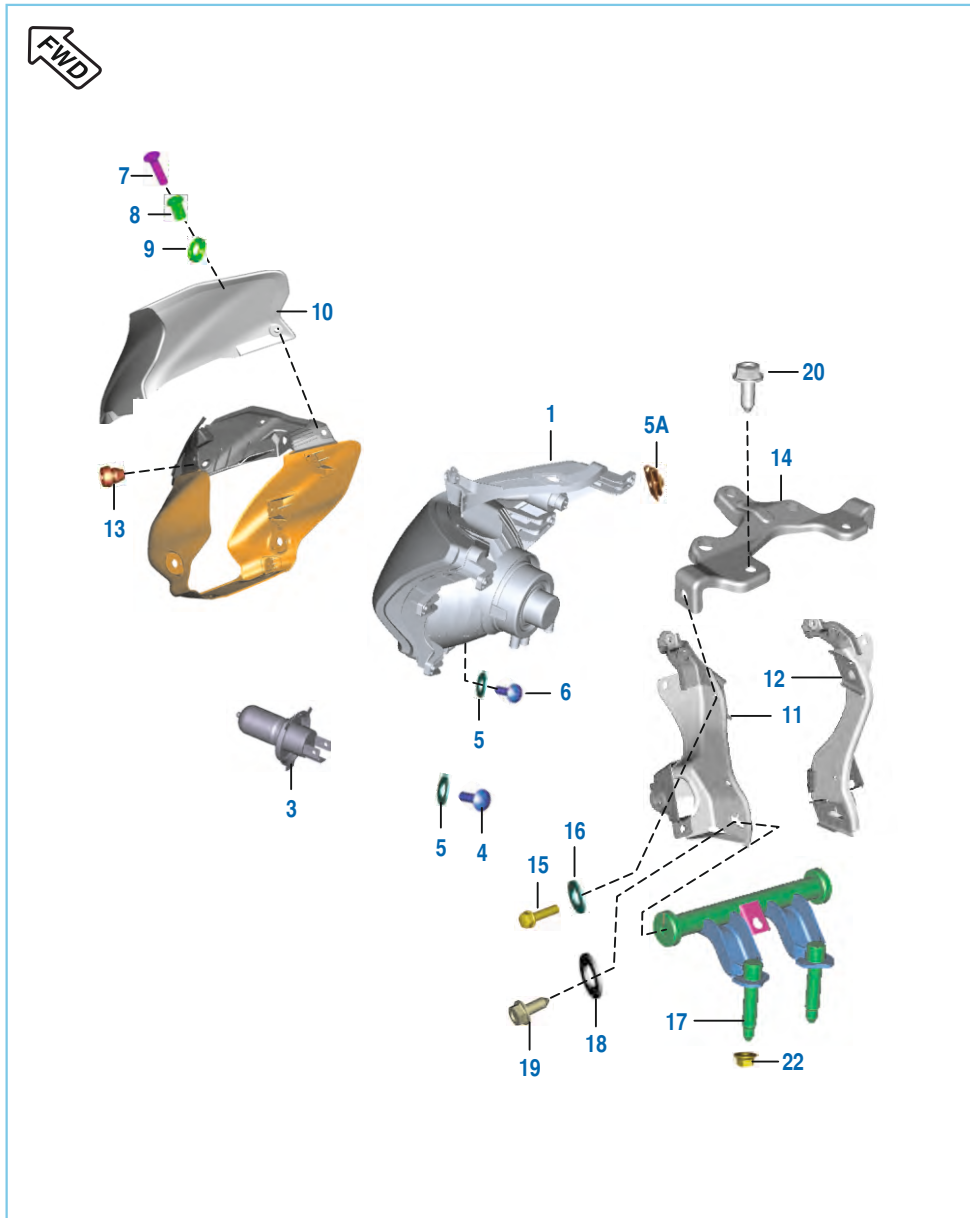
No.	Part No.	Description	Qty.	Remarks
1	JZ 1612 10	Cable Speedometer	1	
2	PA 1612 15	Cable Accelerator	1	
3	PA 1612 09	Cable Clutch	1	
4	PA 1612 08	Cable Brake	1	N.I.

Chain Case



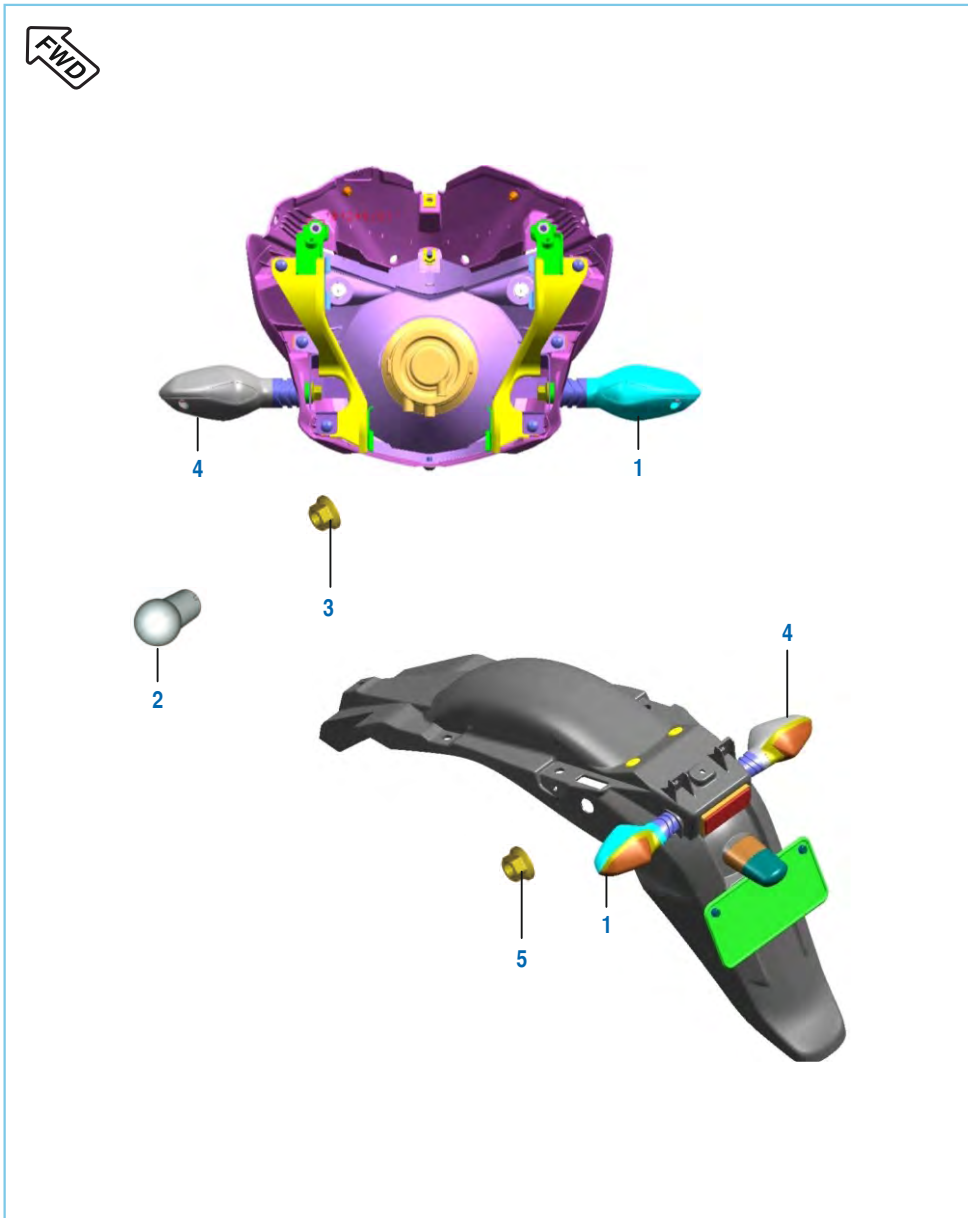
No.	Part No.	Description	Qty.	Remarks
1	36 PA01 57	Kit Chain Case	1	
2	15 1610 69	Rubber Cap	1	
3	LA E000 07	Bolt	6	
	LA D000 53	Bolt	6	Alt for LAE0007
4	DX 1610 52	Beading Chain Case	1	

Head Lamp & Fairing



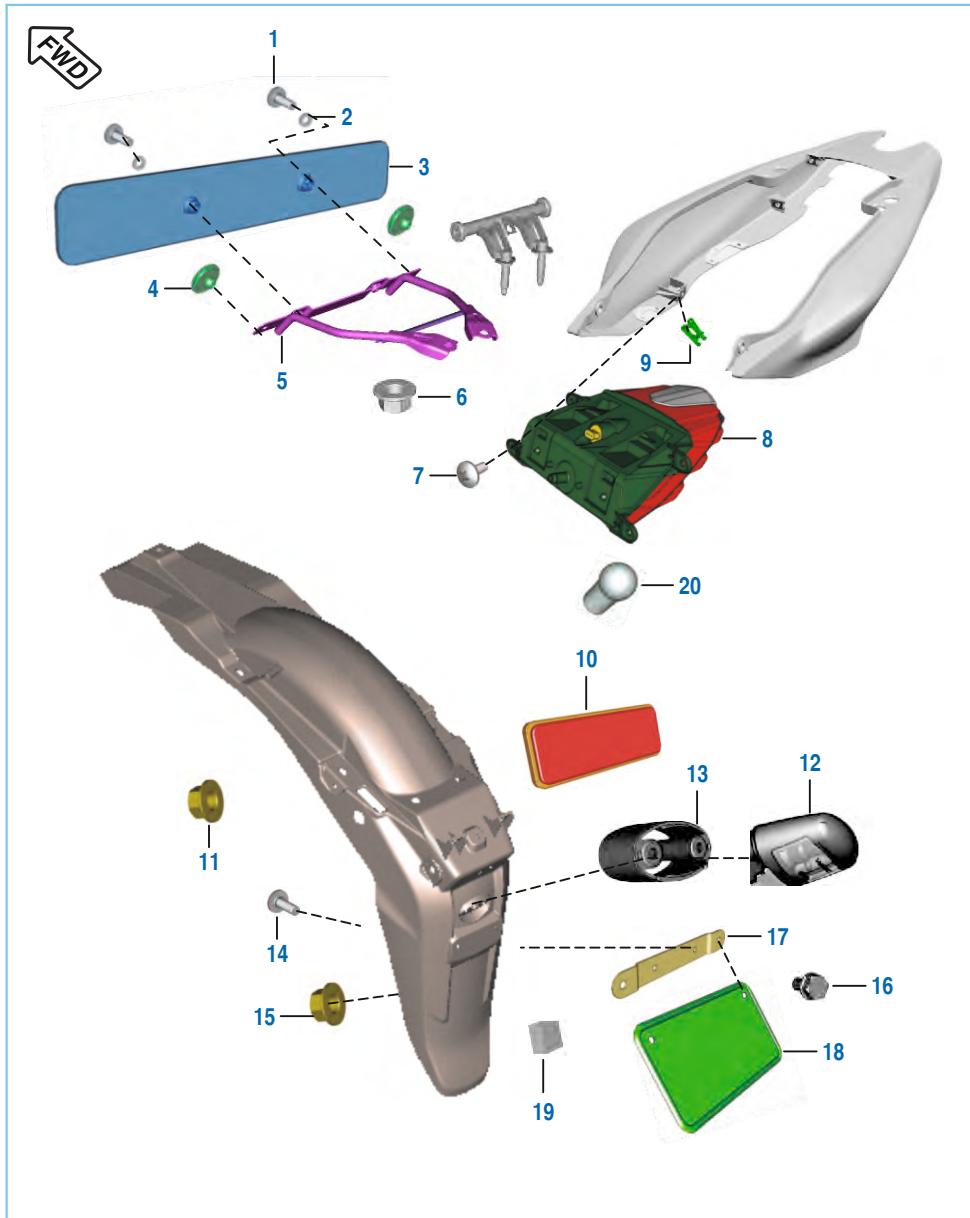
No.	Part No.	Description	Qty.	Remarks
1	YP A130 02	Headlamp W/O Bulb - D100M	1	
2	JZ 4010 29	Wiring Harness Head Lamp	1	N.I.
3	CL 2010 23	Bulb (12V HS1 35/35W)	1	
4	KB UB05 20	Screw - Tapping : 4 X 14	6	
5	KD BA05 12	Washer - Plain	8	
5A	DJ 1612 29	Clip Nut	8	
6	KB UB05 10	Screw Truss	1	
7	39 1766 01	Screw - Pan Cross : M5	4	
8	JG 1812 36	Nut Well - M5X0.8	4	
9	39 2141 24	Washer	4	
10	PA 1812 81	Windshield	1	
11	PA 1812 76	Fairing Structure LH	1	
12	PA 1812 77	Fairing Structure RH	1	
13	PA 1813 01	Damper Fairing	2	
14	PA 1812 83	Bracket Upper Pivot Mounting	1	
15	KA DE06 14	Bolt Flanged	2	Bracket Pivot Mtg
16	39 0722 11	Washer Plain	2	Bracket Pivot Mtg
17	PA 1812 78	Bracket Lower Hinge Mounting	1	
18	PA 1813 05	Washer Special	2	
19	LA D000 91	Bolt - Flange M6	2	
20	DS 1910 78	Bolt - Flange M6	2	NS
21	DL 1910 20	Lamp 12V 3W	2	
	DH 1910 37	Lamp 12V 3W	2	alt for DL 1910 20
22	39 1970 15	Hex Nut M8	2	

Indicator Light Assembly



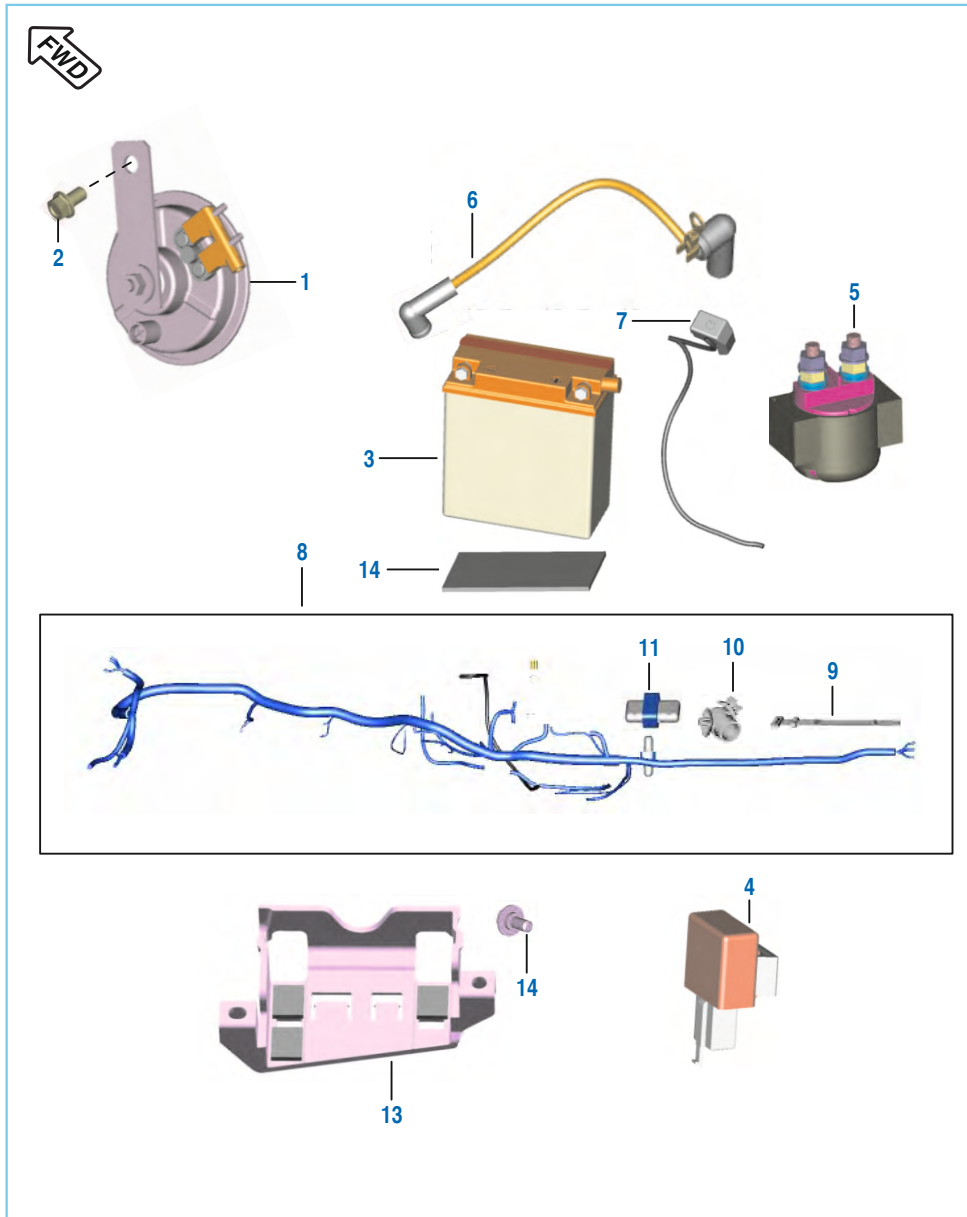
No.	Part No.	Description	Qty.	Remarks
1	JZ 4010 38	Indicator Fr RH / Rr LH	2	
2	GH 2010 12	Lamp 12V-10W	4	
3	LC A000 05	Nut Hex M10X1.25	2	
4	JZ 4010 39	Indicator Fr LH / Rr RH	2	
5	39 1225 15	Nut - Hexagon With Flange	2	

Tail Lamp Assly / Front Number Plate



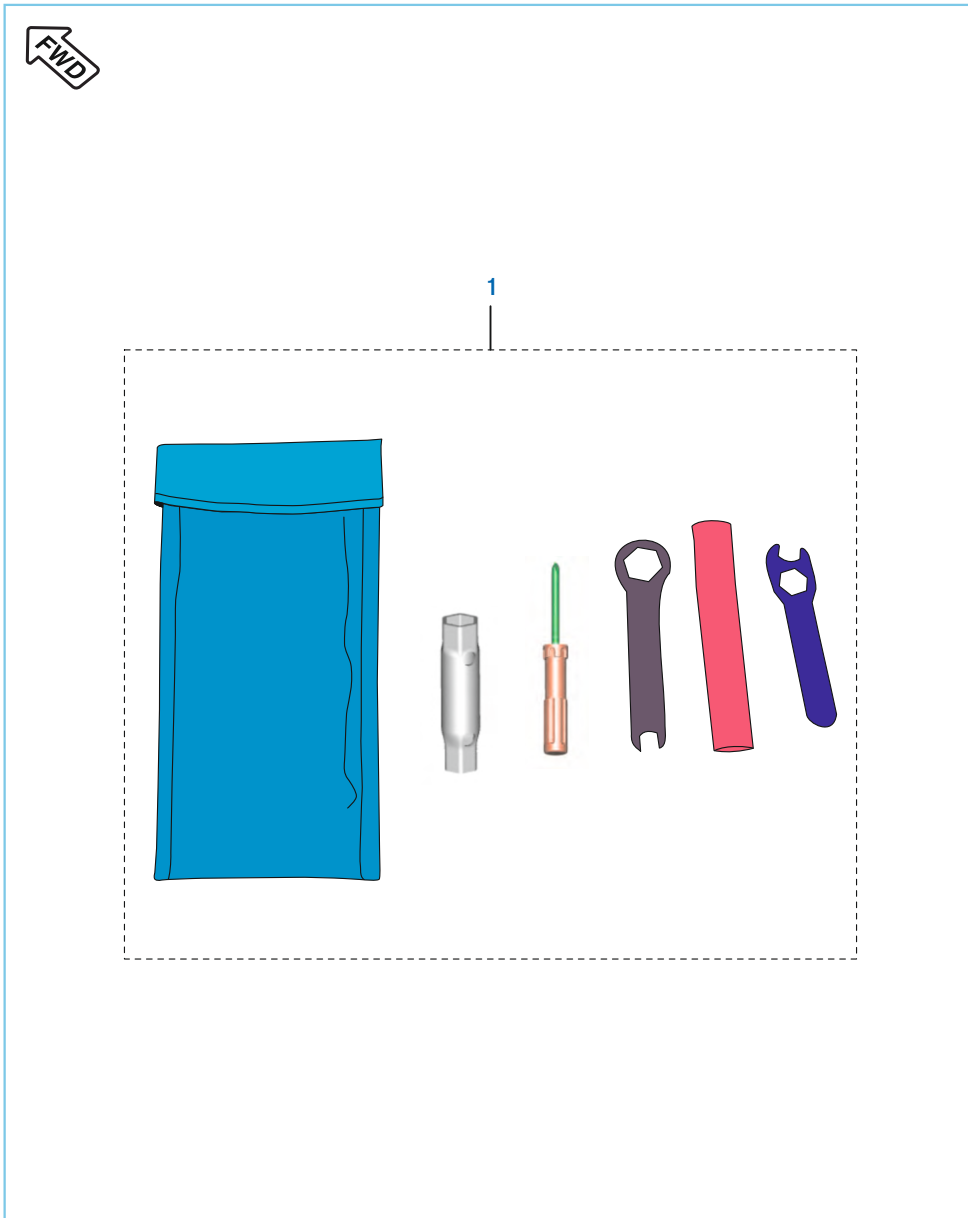
No.	Part No.	Description	Qty.	Remarks
1	39 0044 01	Screw Round Head	2	
2	39 1501 11	Washer Plain	2	
3	JU 2328 00	Front Number Plate	1	
4	JZ 2328 14	Foam	2	
5	PA 1812 79	Bracket Number Plate Front	1	Drum Brake
	JZ 1812 99	Bracket Number Plate Front	1	Disc Brake
6	39 1970 15	Nut	2	
7	39 1907 01	Screw M5	4	
8	YP A130 03	Tail Lamp W/O Bulb - D100M	1	
9	DJ 1612 29	Clip Nut M5	4	
10	DD 2010 02	Reflector - Reflex	1	
11	39 2484 15	Nut - Flange : M5	1	
12	JD 4010 07	Rear Number Plate Lamp	1	
13	JZ 4010 42	Spacer Illumination Lamp	1	
14	KB UA05 45	Screw Trus	2	
15	39 2124 15	Nut - Hexagon With Flange	2	
16	39 2476 04	Bolt - Hexagon Head	2	
17	DJ 1610 72	Bracket-Rear Number Plate	1	
18	DP 1611 45	Plate -No.:Rr	1	
19	JZ 2328 05	Foam Rear Number Plate	1	
20	30 2010 06	Bulb 21/5W	1	

Electrical Equipments



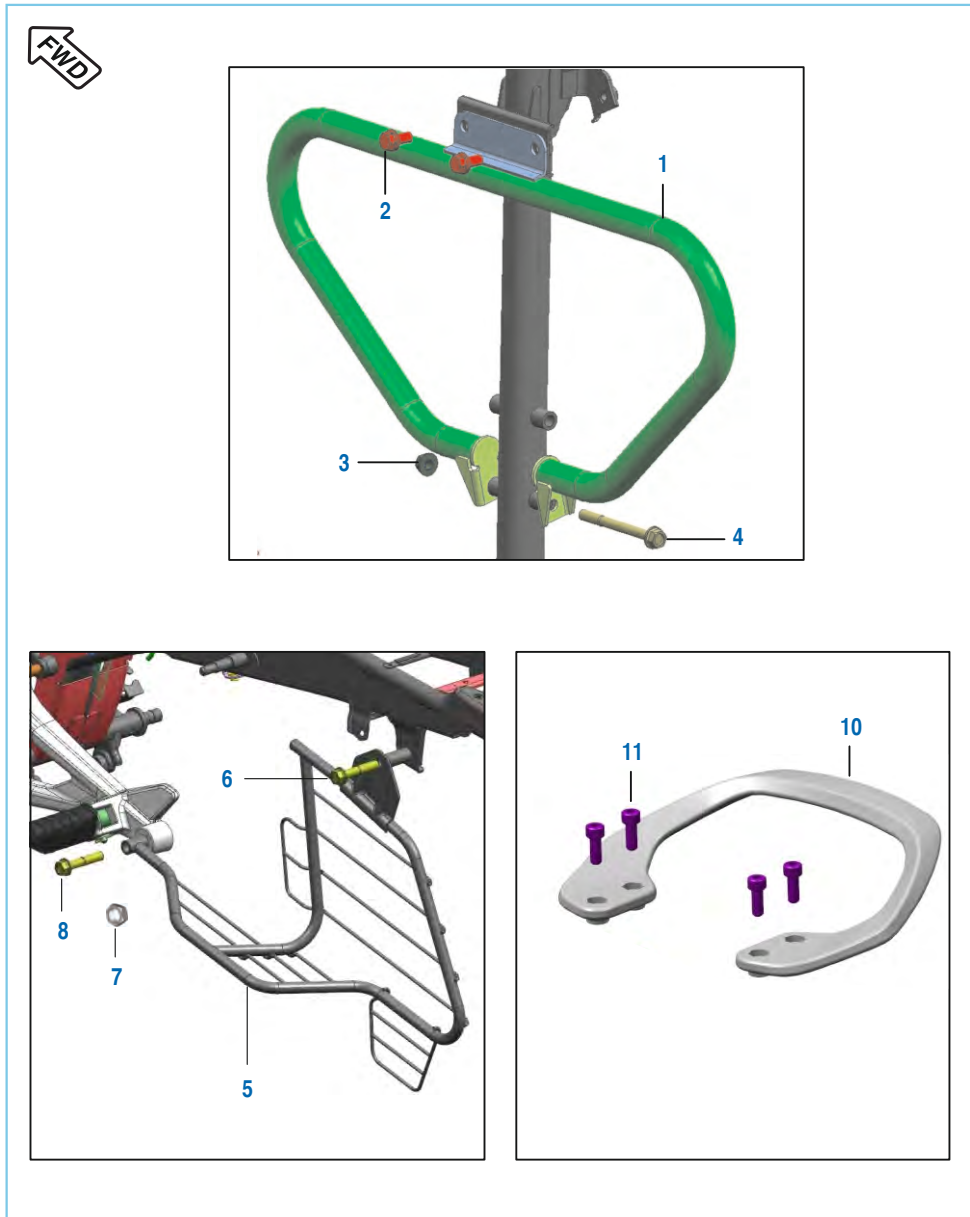
No.	Part No.	Description	Qty.	Remarks
1	JL 4016 02	Horn	1	Alternate
	JG 4016 01	Horn	1	
2	KA DD08 14	Bolt Flanged	2	
3	DS 2010 81	Battery MF 5Ah	1	Not Serviceable
4	DS 2010 25	Flasher - D. C.	1	
5	JN 3516 04	Starter Relay-with Grommet	1	
6	PA 4022 27	Cable Assy St Relay-Motor	1	
7	PA 4022 25	Cable Assy Battery-Earth	1	
8	PA 4022 38	Harness Wiring - DC	1	
9	30 2010 64	Band	4	
10	60 1114 17	Clip Positive Lock	1	
11	DJ 2012 19	Fuse Box Assly.	1	
12	PA 4018 09	Foam Battery	1	
13	PA 4018 08	Cap Battery	1	Includes Foam NS
14	LA D001 06	Bolt Flanged Stepped	2	

Tool Kit



No.	Part No.	Description	Qty.	Remarks
1	PA 2310 00	Tool Kit	1	Not Serviceable in Spare alt for PA 2310 00
	PA 2310 02	Tool Kit	1	

Accessories / Grab Handle



No.	Part No.	Description	Qty.	Remarks
1	PA 2312 06	Leg Guard	1	
2	39 2553 04	Bolt Flange M8	2	N.S
	39 1556 04	Bolt Flange M8	2	alt for 39 2553 04
3	39 1970 15	Flange Hex Nut M8	2	
4	KA DD08 80	Bolt Flange M8	1	
5	PA 2312 07	Guard Saree	1	
6	KA DD08 55	Bolt Flange	1	
7	39 0296 15	Hexagon Nut	1	
8	KA DF10 50	Bolt	1	
9	KA CB10 40	Bolt Socket	1	
10	PA 2314 03	Assly Grab Handle	1	
11	KA CA08 20	Bolt-Socket	4	



## Kit List

*DISCOVER* 125M

Sr No	Kit Part No.	Kit Description	Consisting of Following Parts		
			Part No.	Description	Qty/Kit
1.	36PA0096	Kit Cylinder Head Assly	39262921	O Ring	1
			39128321	Ring O	1
2.	36PA0153	Kit Valve Repair-D100 4V	39201719	Seal - Oil	2
			DG101029	Collet	4
3.	36PA0099	Kit Assly Cover Clutch	JB541207	Cover Clutch	1
			31101064	Plug	2
			JB541201	Jet Clutch Cover	1
			39104119	Seal Oil	1
			30101142	Seal Oil	1
4.	JE541233	Assembly Cover Magneto	JA541005	Bush Bendix	1
			30101195	Ring - O	1
			JA541233	Cap TDC Finder	1
			JE541230	Label Magneto Cover	1
5.	36PA0145	Assly Crankcase RH	PF541018	Bushing Drum	1
			JA541011	Needle Roller Bearing Hk1212	1
			52JA0027	Stud (JA541015) Pre-coated	1
			59200036	Bearing - Ball 6203 Hn3 C3	1
			JA541014	Bolt Shift Change	1
6.	36PA0144	Kit Bearing Cone	DJ181115	Cage Bearing Steering	2
			36001052	Grease Lethon RR-3 - 10GM	1

## Kit List

*DISCOVER* 125M

Sr No	Kit Part No.	Kit Description	Consisting of Following Parts		
			Part No.	Description	Qty/Kit
7	36PA0146	Assly C'case LH	39256220	Bearing - NRB	1
			39171519	Seal Oil	1
			59200036	Bearing Ball	1
			JA541005	Bush Bendix	1
			39219019	Seal Oil	1
8.	36DK0017	Kit Hardware Brake Rod	39080808	Split Pin	1
9.	36JZ0007	Kit Chain Sproket	DX151023	Sprocket 42 T 4 Rubber	1
			JZ551004	Sprocket Output 14t Disco-H	1
			DS151082	Chain 120link Solid Bush(hd-lgb)	1
10.	36PA0154	Kit Piston Valve-D125M	JE581213	Diaphragm	1
			JE581214	Spring	1
			Je581217	E-Ring	1
			24121370	Ring Shim	1
			DP121052	Washer	1
11.	36JZ0079	Kit Assly Cly Head	39128321	O Ring	1
			39262921	O-Ring	1
12.	36JE0001	Kit Valve Repair	39201719	Seal - Oil	1
			DG101029	Collet	1
13.	36JE0019	Kit Float Chamber	DP121059	O-Ring	1
			JE581218	Drain Screw	1
			DP121067	Screw	1

# Kit List



Sr No	Kit Part No.	Kit Description	Consisting of Following Parts		
			Part No.	Description	Qty/Kit
14.	36JE0020	Kit Top Cap	DH121176	Screw	1
15.	36JZ0077	Kit Assly C Case LH	JA541005	Bush Bendix	1
16.	PA541026	Assly C Case RH	JA541010 DH101380 JA541011 PF541018 JA541012 52JA0027	Stopper Plate Input Bearing Screw - Pan :- Pr-Ecoated Needle Roller Bearing Hk1212 Bushing Drum Guide Kick Stud (JA541015) Pre-coated	1 1 1 1 1 1
17.	36PA0157	Kit Chain Case-d125M	PA181308 PA181310	Chain Case Upper Assembly Chain Case Lower Assembly	1 1
18.	36PA0158	Kit Chain Sprocket-d125M	DX151023 JZ551004 DS151082	Sprocket 42 T 4 Rubber Sprocket Output 14t Disco-H Chain 120link Solid Bush(hd-lgb)	1 1 1
19.	36PA0154	Kit Piston Valve-D125M	JE581213 ----- ----- ----- JE581214 Je581217 24121370 DP121052 -----	Diaphragm Piston Valve Assembly Spring Holder Spring E-Ring Ring Shim Washer Jet Needle	1 1 1 1 1 1 1 1 1

# Kit List



Sr No	Kit Part No.	Kit Description	Consisting of Following Parts		
			Part No.	Description	Qty/Kit
20.	36PA0155	Kit Pilot Screw-D125M	----- JE581208 24121063 JE581209 DH121130	Pilot Screw Spring Adjuster Washer O Ring O Ring	1 1 1 1 1
21.	36PA0156	Kit Jet D-125M	----- JZ581219 ----- -----	Jet Needle Jet Holder Main Jet Pilot Jet	1 1 1 1

# Kit List



Sr No	Kit Part No.	Kit Description	Consisting of Following Parts		
			Part No.	Description	Qty/Kit

# Kit List



Sr No	Kit Part No.	Kit Description	Consisting of Following Parts		
			Part No.	Description	Qty/Kit

## Amendment Sheet

*DISCOVER* 125M

Page no.	Fig. no.	Old part no.	New part no.	Description	Updation date	Remarks
68	7	Dx151008	Ds151068	Coupling	27-03-15	Correction
102	8	PA402237	PA402238	Wiring Harness	30-03-15	Updation

## Amendment Sheet

*DISCOVER* 125M

Page no.	Fig. no.	Old part no.	New part no.	Description	Updation date	Remarks

# Parts Index



Part Number	Figure No.	Page No.
15161069	2	94
22150241	14	26
30101096	5	32
30101142	18	28
30101195	3	30
30141031	10	52
30141031	3	86
30141039	16	86
30151032	3	60
30151033	1	60
30151033	3	62
30151035	21	60
30151038	24	60
30151038	16	68
30151042	22	60
30151068	12	60
30151069	11	60
30151069	14	68
30151096	20	70
30151105	12	60
30151118	17	60
30181025	4	76
30181026	5	76
30181029	10	76
30191048	24	74
30201006	20	100
30201064	9	102
31101173	6	12
31151007	13	68
31151018	5	68
31201079	12	70
31201081	7	22
36001052	7	48

Part Number	Figure No.	Page No.
39004401	1	100
39019811	10	70
39024211	6	54
39024211	22	60
39029215	17	50
39029615	7	106
39032615	8	54
39042215	9	56
39045411	10	50
39055302	9	50
39059417	2	8
39069415	19	70
39072211	12	88
39072211	16	96
39073817	3	26
39074011	12	86
39074701	10	22
39076101	4	86
39078408	12	52
39078912	17	70
39078912	14	76
39079708	6	56
39080115	28	68
39080708	22	70
39080808	11	70
39081715	4	18
39084001	15	60
39084001	23	60
39084914	10	40
39090012	16	60
39097204	7	40
39098004	10	32
39098717	4	14

# Parts Index



Part Number	Figure No.	Page No.
39098815	21	68
39099206	7	16
39099311	6	26
39099906	11	22
39099906	4	24
39099906	6	30
39100006	2	10
39100120	14	32
39101321	19	60
39104011	11	52
39104119	10	28
39107404	3	72
39118101	15	76
39122515	5	98
39128321	4	4
39135815	7	50
39150111	2	100
39154011	18	70
39155604	2	54
39155604	2	106
39156121	19	28
39167121	6A	28
39167304	13	8
39167304	5	28
39167404	5	42
39167504	5	42
39169801	7	54
39171404	14	52
39171519	3	22
39175904	12	22
39176601	7	96
39178924	8	88
39190204	9	18

Part Number	Figure No.	Page No.
39190204	3	44
39190701	7	100
39191204	23	72
39195104	1	88
39195604	1	88
39196404	9	20
39197015	22	96
39197015	6	100
39197015	3	106
39198104	20	14
39201719	3	6
39212415	15	100
39214124	9	96
39217924	2	86
39219019	6	22
39224915	20	72
39229515	2	38
39240817	8	26
39242001	7	54
39242411	2	88
39245304	9	18
39245304	23	72
39247604	16	100
39248415	6	86
39248415	11	100
39249211	9	38
39253921	4	4
39255304	2	106
39256220	4	22
39258204	14	52
39260011	3A	32
39260801	3	4
39262921	5	4

# Parts Index

Part Number	Figure No.	Page No.	Part Number	Figure No.	Page No.
39266921	14	8	36JE0021	7	34
39270411	5	18	36JE0022	8	34
39272315	6	46	36JE0024	6	32
39272612	2	50	36Jz0007	2	68
39275821	5	86	36JZ0008	9	40
59040006	12	76	36JZ0023	3	32
59040014	16	42	36JZ0074	1	10
59040019	2	54	36JZ0075	1	28
59040031	7	8	36JZ0077	1	22
59040038	2	2	36JZ0079	1	4
59040038	11A	22	36JZ0102	2	6
59040038	4	28	36PA0115	9	8
59040038	10	30	36PA0121	7	76
59110008	4	12	36PA0128	8	82
59120003	3	12	36PA0129	8	82
59150003	14	60	36PA0130	8	82
59150003	12	62	36PA0133	9	82
59150014	2	12	36PA0134	9	82
59200036	4	20	36PA0135	9	82
59200036	2	22	36PA0144	3	48
59210023	16	22	36PA0154	2	34
59210024	17	14	36PA0155	3	34
60111417	10	102	36PA0156	4	34
36DJ4031	14	64	36PA0157	1	94
36DJ4032	7	66	36PA0160	8	82
36DJ4033	8	66	36PA0161	9	82
36DK0017	21	70	36PA0162	10	84
36DS1502	20	60	36PA0163	8	82
36DU1007	11	26	36PA0164	9	82
36JE0001	7	6	36PA0165	10	84
36JE0002	5	10	36PA0166	8	82
36JE0019	5	34	36PA0167	9	82
36JE0020	6	34	36PA0168	10	84

# Parts Index



Part Number	Figure No.	Page No.	Part Number	Figure No.	Page No.
36PA0169	8	82	52PA0555	6	80
36PA0170	9	82	52PA0560	5	80
36PA0171	10	84	52PA0561	5	80
36PA0172	8	82	52PA0563	2	78
36PA0173	9	82	52PA0565	2	78
36PA0174	10	84	52PA0568	3	78
36PA0175	8	82	52PA0569	3	78
36PA0176	9	82	52PA0571	1	78
36PA0177	10	84	52PA0572	1	78
52JA0027	10	20	52PA0701	5	80
52JA0028	15	32	52PA0702	5	80
52Ja0029	7	20	52PA0703	5	80
52PA0516	2	78	56Pa053E	4	80
52PA0517	2	78	56PA056C	4	80
52PA0518	3	78	56PA056D	4	80
52PA0519	3	78	56PA056E	4	80
52PA0520	5	80	AA121071	11	4
52PA0521	5	80	CF111019	17	42
52PA0522	6	80	CL201023	3	96
52PA0523	6	80	CM201054	4	90
52PA0524	1	78	CM201054	4	90
52PA0525	1	78	CS101128	11	8
52PA0528	2	78	DD101062	3	8
52PA0529	2	78	DD101097	12	26
52PA0530	3	78	DD111011	12	42
52PA0531	3	78	DD111012	10	42
52PA0532	5	80	DD111018	17	42
52PA0533	5	80	DD111048	11	42
52PA0536	6	80	DD121181	8	28
52PA0537	6	80	DD141227	13	86
52PA0538	1	78	DD161078	3	70
52PA0539	1	78	DD181032	6	76
52PA0554	6	80	DD201002	10	100

# Parts Index



Part Number	Figure No.	Page No.	Part Number	Figure No.	Page No.
DD201170	19	72	DH121059	11	34
DE151006	2	62	DH121063	14A	34
DE151008	5	62	DH121064	12	34
DE151012	4	62	DH121093	13	34
DE151046	2	66	DH121176	18	34
DE151047	3	66	DH141048	18	86
DE151048	5	66	DH151029	16	70
DE191035	4	64	DH161061	9	52
DF161102	7	56	DH161066	8	56
DF181091	16	72	DH161121	5	56
DF181092	18	72	DH161231	16	88
DG101029	4	6	DH171019	23	68
DG101339	12	18	DH191037	21	96
DG101418	12	28	DJ141008	4	88
DG121025	8	2	DJ161069	4	54
DG121025	6	36	DJ161072	17	100
DG161121	7	88	DJ161186	13	52
DG161224	3	52	DJ161229	9	88
DH101048	6	8	DJ161229	5A	96
DH101264	8	22	DJ161229	9	100
DH101301	6	38	DJ161278	18	52
DH101380	6	20	DJ181115	4	48
DH101380	7	42	DJ191025	10	64
DH101382	7	40	DJ191026	11	64
DH101392	10	8	DJ191027	15	64
DH101395	5	38	DJ191029	2	64
DH101509	11	18	DJ191030	3	64
DH101781	8	40	DJ191031	5	64
DH101784	8	22	DJ191034	6	64
DH111013	15	42	DJ191035	7	64
DH111015	13	42	DJ191058	8	64
DH121038	11	36	DJ191059	1	64
DH121041	15	34	DJ191083	7	72

# Parts Index



Part Number	Figure No.	Page No.	Part Number	Figure No.	Page No.
DJ201109	9	64	DS151087	8	60
DJ201173	10	54	DS151089	10	60
DJ201173	12	54	DS151090	17	68
DJ201219	11	102	DS151091	9	60
DK101386	7	8	DS151092	6	60
DK101610	8	38	DS151094	7	60
DK121041	9	34	DS151094	20	68
DK141028	5	86	DS151095	5	60
DK141041	15	86	DS161125	3	54
DK201049	6	48	DS161287	7	90
DL181080	6A	76	DS161287	20	96
DL191020	21	96	DS181012	11	76
DP101165	6	10	DS181015	16	76
DP121018	20	34	DS181016	17	76
DP121059	19	34	DS191052	8	72
DP121067	17	34	DS201025	4	102
DP161145	18	100	DS201081	3	102
DP171006	8	50	DU101213	19	14
DS101117	4	26	DU161102	6A	88
DS101154	7	12	DX151015	27	68
DS101215	11	28	DX151018	22	68
DS101276	5	8	DX161052	4	94
DS121126	7	36	DX191001	22	72
DS141012	14	86	DX191009	25	74
DS141012	5	88	DZ141075	17	86
DS151047	7	58	FD101078	2	24
DS151048	2	58	FD181019	15	72
DS151049	3	58	FD181020	14	72
DS151051	8	58	FD181030	4	72
DS151052	5	58	FD181031	13	72
DS151053	6	58	GH201012	2	98
DS151058	8	62	JA113403	5	46
DS151068	7	68	JA131205	9	68

# Parts Index



Part Number	Figure No.	Page No.	Part Number	Figure No.	Page No.
JA131606	18	60	JA551009	16	14
JA351600	4	40	JA551406	2	32
JA511008	5	2	JA551420	12	32
JA511028	6	4	JA561002	5	16
JA511216	4	8	JA561207	6	18
JA521018	3	8	JA561208	8	18
JA521019	13	8	JA561209	7	18
JA521019	5	28	JA581406	9	4
JA531007	15	32	JA591040	2	38
JA531012	8	12	JA621001	1	26
JA531015	5	12	JA621002	5	26
JA541005	5	22	JA621006	2	26
JA541005	7	30	JA621201	10	26
JA541010	5	20	JA621206	13	26
JA541011	3	20	JA621402	1	40
JA541012	8	20	JA621406	2	40
JA541014	7	20	JA621410	3	40
JA541016	3	24	JA621414	6	40
JA541021	15	22	JB122009	1	50
JA541028	6	42	JB122010	4	50
JA541034	9	22	JB122011	3	50
JA541044	4	30	JB122016	6	50
JA541205	8	30	JB131017	4	60
JA541211	14	28	JB131017	10	62
JA541212	15	28	JB131018	13	60
JA541225	13	28	JB131018	11	62
JA541233	2	30	JB131019	14	60
JA541235	11	20	JB131022	13A	60
JA541236	16	28	JB131223	15	68
JA541237	17	28	JB131224	19	68
JA551002	3	14	JB131225	21	68
JA551004	7	14	JB401400	5	72
JA551008	15	14	JB402202	7	10

# Parts Index



Part Number	Figure No.	Page No.	Part Number	Figure No.	Page No.
JB531021	9	12	JE541230	5	30
JB551406	8	32	JE541231	6	28
JB551408	4	32	JE541233	1	30
JB551411	7	32	JE551409	13	32
JB551412	8	32	JE581213	10	34
JD111052	9	86	JE581218	16	34
JD111052	3	88	JE581223	14	34
JD121002	12	50	JE591002	3	38
JD141003	1	68	JF402000	4	42
JD161002	6	70	JG181236	8	96
JD161006	7	70	JG401601	1	102
JD191006	6	44	JG571024	13	22
JD351206	14	42	JL131807	4	66
JD401007	12	100	JL181219	10	88
JD511004	2	4	JL401602	1	102
JD511008	7	4	JN131003	8	62
JD511010	3	2	JN131211	11	68
JD511209	6	6	JN181211	14	62
JD521002	3	10	JN351604	5	102
JD541000	17	22	JU232800	3	100
JD551400	11	32	JW131801	1	66
JD561004	3	16	JW131807	6	66
JD561011	6	16	JW181241	13	62
JE351004	1	42	JW351400	4	10
JE351005	2	42	JW541000	3	28
JE511049	15	8	JW541005	2	28
JE511200	1	6	JW561206	2	18
JE511201	2	6	JW561208	3	18
JE511204	5	6	JW591030	7	38
JE511230	8	8	JZ113042	17	52
JE521016	12	8	JZ113207	4	56
JE531001	2A	12	JZ121015	13	76
JE541008	9	26	JZ131601	9	62



# Parts Index



Part Number	Figure No.	Page No.	Part Number	Figure No.	Page No.
JZ131818	6	62	JZ551415	9	32
JZ131875	9	70	JZ561002	4	16
JZ151081	18	76	JZ571000	1	24
JZ151083	5	48	JZ571001	5	24
JZ151084	2	48	JZ581025	5	36
JZ151091	19	76	KACA0820	11	106
JZ161019	2	70	KACB1040	9	106
JZ161023	6	72	KADA0618	2	36
JZ161210	1	92	KADB0516	6	90
JZ171004	1	86	KADD0614	18	42
JZ171809	10	86	KADD0614	11	88
JZ171822	11	86	KADD0670	8	36
JZ181299	5	100	KADD0814	2	102
JZ181322	6	88	KADD0822	5	52
JZ181415	1	54	KADD0855	6	106
JZ181416	5	54	KADD0880	4	106
JZ191010	5	44	KADE0614	15	96
JZ232805	19	100	KADF0620	19	42
JZ232814	4	100	KADF1050	8	106
JZ233177	11	84	KBUA0545	14	100
JZ233201	7	82	KBUB0510	6	96
JZ233213	7	82	KBUB0520	4	96
JZ401029	2	96	KDBA0512	5	96
JZ401038	1	98	KDCB0816	4	52
JZ401039	4	98	KPBB6202	3	68
JZ401042	13	100	KPBB6301	2	60
JZ401400	27	74	KPBB6301	1	62
JZ401403	10	72	KPBB6302	4	68
JZ511021	1	2	KPBC6004	8	68
JZ541214	7	28	LAC00002	7	62
JZ551004	18	14	LAD00001	4	46
JZ551205	13	14	LAD00002	3	46
JZ551413	1	32	LAD00011	5	40

# Parts Index



Part Number	Figure No.	Page No.	Part Number	Figure No.	Page No.
LAD00037	13	64	PA121034	2	76
LAD00048	8	46	PA121035	3	76
LAD00053	10	36	PA121036	1	76
LAD00053	3	94	PA121039	2	76
LAD00070	9	36	PA121040	3	76
LAD00091	19	96	PA121042	8	76
LAD00095	5	90	PA121046	13	76
LAD00106	14	102	PA122021	16	50
LAE00007	3	94	PA122023	14	50
LAE00022	11	54	PA122026	5	50
LBU00004	15	62	PA122029	11	50
LBU00005	16	62	PA122034	13	50
LBU00007	15	88	PA131019	1	58
LCA00001	28	68	PA131021	1A	58
LCA00005	3	98	PA131217	24	68
LCG00001	2	46	PA131241	4	58
LCL00003	12	68	PA131261	10	68
LJA00004	14	22	PA131263	6	68
PA111240	1	48	PA131835	18	68
PA113008	2	52	PA131844	12	64
PA113022	6	52	PA131850	8	70
PA113024	1	52	PA151011	17	72
PA113035	15	52	PA151013	9	72
PA113040	16	52	PA151014	21	72
PA113041	8	52	PA151020	2	72
PA113059	7	52	PA161004	13	70
PA113204	3	56	PA161006	1	70
PA113207	1	56	PA161207	7	44
PA113208	2	56	PA161208	4	92
PA113410	1	46	PA161209	3	92
PA113414	7	46	PA161211	2	44
PA121017	9	76	PA161215	2	92
PA121030	1	76	PA171017	8	86

# Parts Index



Part Number	Figure No.	Page No.
PA181276	11	96
PA181277	12	96
PA181278	17	96
PA181279	5	100
PA181280	1	90
PA181281	10	96
PA181283	2	90
PA181283	14	96
PA181295	13	88
PA181296	14	88
PA181301	13	96
PA181305	18	96
PA181405	1	54
PA181408	9	54
PA191005	1	44
PA191010	4	44
PA231000	1	104
PA231002	1	104
PA231206	1	106
PA231207	5	106
PA231403	10	106
PA231600	11	72
PA231601	12	72
PA233126	7	82
PA233138	7	82
PA233227	7	82
PA233247	7	82
PA233259	7	82
PA233271	7	82
PA233283	7	82
PA351210	8	42
PA351212	9	42
PA351214	3	42

Part Number	Figure No.	Page No.
PA401018	15	90
PA401403	19	72
PA401405	1	72
PA401409	27	74
PA401808	13	102
PA401809	12	102
PA402225	7	102
PA402227	6	102
PA402238	8	102
PA402440	3	90
PA402601	7	86
PA501011	1	20
PA511039	4	2
PA511246	1	8
PA531029	1	12
PA541026	1A	20
PA541213	11	30
PA541217	9	30
PA551002	1	14
PA551205	14	14
PA551206	12	14
PA551207	2	14
PA551405	9	28
PA561005	1	16
PA561207	7	18
PA561402	10	18
PA581029	3	36
PA581034	7	2
PA581034	4	36
PA581042	1	36
PA581225	10	4
PA581226	1	34
PA581227	21	34

# Parts Index



Part Number	Figure No.	Page No.
PA581409	8	4
PA591120	4	38
PA621005	7	26
PA71043C	1	78
PA71045V	1	78
PA71045W	1	78
PA74033C	2	78
PA74035V	2	78
PA74035W	2	78
PA74043C	3	78
PA74045V	3	78
PA74045W	3	78
PA74053C	6	80
PA74055V	6	80
PA74055W	6	80
PF122016	15	50
PF122019	15	70
PF131225	26	68
PF131227	25	68
PF511021	6	2
PF541018	2	20
PF551003	8	14
PF551200	6	14
PF551201	5	14
PF551203	9	14
PF551204	11	14
PF551206	10	14
PF561002	2	16
PF561200	1	18
YPA13001	26	74
YPA13001	27	74
YPA13002	1	96
YPA13003	8	100

Part Number	Figure No.	Page No.
YPA13005	9	90
YPA13006	10	90
YPA13008	12	90
YPA13009	13	90
YPA13010	14	90
YPA13014	26	74
YPA13015	8	90
YPA13016	9	90
YPA13017	10	90
YPA13018	11	90
YPA13019	13	90
YPA13020	14	90
YPA13021	16	90
YPA13022	16	90
YPA15001	1	38
YPA15002	8	90
YPA15003	11	90

# Parts Index

*DISCOVER* 125M

Part Number	Figure No.	Page No.

Part Number	Figure No.	Page No.

# Parts Index

*DISCOVER* 125M

Part Number	Figure No.	Page No.

Part Number	Figure No.	Page No.

# Parts Index

*DISCOVER* 125M

Part Number	Figure No.	Page No.

Part Number	Figure No.	Page No.

# Parts Index

*DISCOVER* 125M

Part Number	Figure No.	Page No.

Part Number	Figure No.	Page No.