

Discover 125 | Discover 150



Discover 125 | Discover 150

Bajaj Auto Limited
Akurdi Pune 411 035 India
Tel +91 20 27472851
Fax +91 20 27407385
www.bajajauto.com

Spare Parts Catalogue

(Export)



Notice

All information contained in this manual is based on the latest product information at the time of publication. Bajaj Auto Limited accepts no liability for any inaccuracies or omissions in this publication, although every possible care has been taken to make it as complete and accurate as possible. All procedures and specifications subject to change without prior notice. The right is reserved to make such changes at any time without prior notice and without incurring an obligation to make such changes to product manufactured previously. Contact your authorized Bajaj Dealer for the latest information on product improvements incorporated after this manual was issued.

DOC. NO.: XXXXXXXX

REV. 03, AUG. 16

Foreword

We have pleasure in presenting the Spare Parts Catalogue for 'Discover 125 / 150' Motorcycle. This catalogue has been specially designed to assist you in selecting the correct parts for procurement to maintain 100% availability.

The Bajaj spares are subjected to the stringent quality control standards to ensure longer life of the vehicle. It is therefore necessary that only the Genuine Bajaj Spares are used.

In a continual effort to improve Performance and Efficiency of the vehicles, Specifications, Diagrams, Illustrations and Part Numbers can change without notice. Consequently, the description in this Spare Parts Catalogue cannot therefore be final and binding on us.

The modifications / alterations which are carried out after the issue of this catalogue, will be conveyed to you through our Service Circulars. You are requested to make necessary corrections in the Parts Catalogue as per the circulars so as to keep your catalogue up-to-date. This will ensure the appropriate and speedy delivery of the Spare Parts as the order placed will bear the latest part numbers.

In case, if you need any technical assistance contact the concerned Regional Office or write to us on the following address :

Bajaj Auto Limited
Export Service Department
 Akurdi, Pune 411 035 India
 Phone : 020-27406557
 Fax : 020-27407385

Instructions

- 1. How to Read the Catalogue :** Open the catalogue and from the pictorial index locate the group in which the part you want to find is present. Turn over to the concerned page number (as given by pictorial index). Now find out the figure of the part you wish to order. Write down the part number against that particular figure number from the text.

In case, if you have the part number and you need the other details, the part index can be used. The part index (at the end of the catalogue) will give you the figure and page number of the part you wish to order.

- 2. How to Order Spare Parts :** The part number and the description of the part required should be invariably mentioned in the order as per the catalogue text.

The latest part number as conveyed through our service circulars should only appear on the order. In case of ordering painted components, colour shade of the components should be mentioned.

The quantity shown against the part number is the quantity per vehicle for that group so that particular quantity should be multiplied by the number of sets required.

- 3. Part Number System :** We have used 8 digit system for part numbers. The model or hardware item is indicated by first two digits or alphanumeric, the next two or four digits indicate main group and the last four or two digits indicate serial number in main group or serial number or subgroup of fastener respectively. Thus the part numbers will be indicated by 2-2-4 or 2-4-2 digit system. Understanding this system will enable you to identify the spare parts easily.

- 4. Abbreviations :** The following abbreviations are used in this catalogue.

Assly	Assembly	V	Volts
N.I.	Not illustrated	W	Watts
C'case	Crankcase	Accl.	Accelerator
Cyl	Cylinder	Comp.	Complete
O/s	Over size	Fr.	Front
Rr.	Rear	Std.	Standard
L	Length	A/t.	Alternate
R.H.	Right hand	L.H.	Left hand
Hex.	Hexagonal	AR	As required

Index

Plate No.	Description	Page No.
1	Cover Cylinder Head	2
2	Cylinder Head	4
3	Valve	6
4	Camshaft / Tensioner	8
5	Cylinder & Piston	10
6	Crankshaft	12
7	Transmission	14
8	Change Drum / Shift Fork	16
9	Gear Change Mechanism	18
10	Engine Assly & Crankcase RH	20
11	Crankcase LH	22
12	Cover RH	24
13	Cover Magneto	26
14	Clutch	28
15	Kick Starter Mechanism	30
16	Carburettor	32
17	Air Cleaner Complete	34
18	Silencer Assly	36
19	Oil Pump	38
20	Starter Assly	40
21	Magneto / C.D.I. / H.T. Coil	42
22	Seat Assly / Seat Lock	44
23	Engine Mountings	46
24	Frame & Frame Fitting	48
25	Swing Arm / Rear Shock Absorber	50
26	Rider Foot Rest	52

Index

Plate No.	Description	Page No.
27	Pillion Foot Rest / Holder	54
28	Mudguard Front & Rear	56
29	Stand Assembly	58
30	Tyre / Tube / Rim	60
31	Front Hub (Disc Brake)	62
32	Front Master Cylinder	64
33	Front Disc Brake Caliper Assembly	66
34	Front Hub (Drum Brake)	68, 70
35	Rear Hub	72, 74
36	Rear Brake Pedal	76
37	Handle Bar	78, 80
38	Front Fork	82
39	Painted Parts & Decals	84, 86
40	Painted Parts & Decals Disc 125 Re-introduced	88
41	Petrol Tank, Cap Tank & Gauge Fuel	90
42	Fittings - Petrol Tank, Side Cover & Cover Seat	92
43	Meter Assembly	94
44	Control Cables	96
45	Chain Case	98
46	Head Lamp & Fairing	98, 102
47	Indicator Light Assembly	104
48	Tail Lamp Assembly / Front Number Plate	106
49	Electrical Equipments	108
50	Tool Kit	110
51	Accessories / Grab Handle	112
	Kits List For Discover 150	113
	Part Index	130

Pictorial Index

PLATE NO. : 1 COVER CYLINDER HEAD	PAGE NO. 2

PLATE NO. : 2 CYLINDER HEAD	PAGE NO. 4

PLATE NO. : 3 VALVE	PAGE NO. 6

PLATE NO. : 4 CAMSHAFT / TENSIONER	PAGE NO. 8

Pictorial Index

PLATE NO. : 5 CYLINDER & PISTON	PAGE NO. 10

PLATE NO. : 6 CRANKSHAFT	PAGE NO. 12

PLATE NO. : 7 TRANSMISSION	PAGE NO. 14

PLATE NO. : 8 CHANGE DRUM / SHIFT FORK	PAGE NO. 16

Pictorial Index

PLATE NO. : 9 GEAR CHANGE MECHANISM	PAGE NO. 18

PLATE NO. : 10 ENGINE ASSLY & CRANKCASE RH	PAGE NO. 20

PLATE NO. : 11 CRANKCASE LH	PAGE NO. 22

PLATE NO. : 12 COVER RH	PAGE NO. 24

Pictorial Index

PLATE NO. : 13 COVER MAGNETO	PAGE NO. 26

PLATE NO. : 14 CLUTCH	PAGE NO. 28

PLATE NO. : 15 KICK STARTER MECHANISM	PAGE NO. 30

PLATE NO. : 16 CARBURETOR	PAGE NO. 32

Pictorial Index

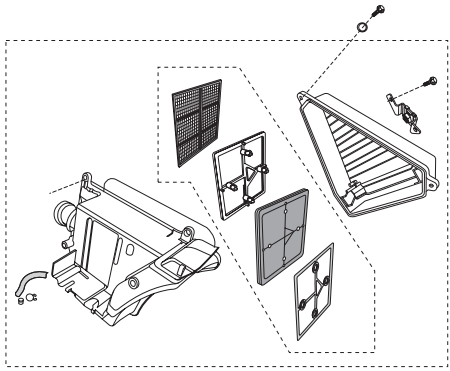
PLATE NO. : 17 AIR CLEANER COMPLETE	PAGE NO. 34
	

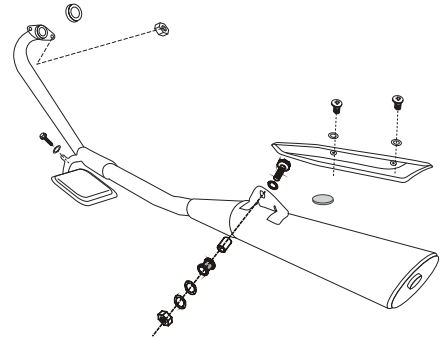
PLATE NO. : 18 SILENCER ASSLY	PAGE NO. 36
	

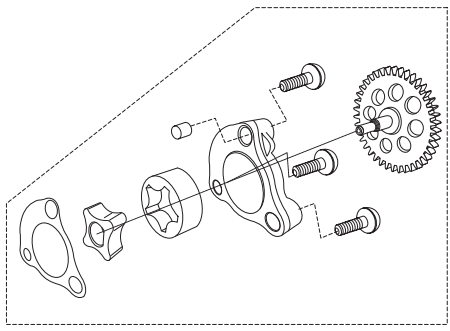
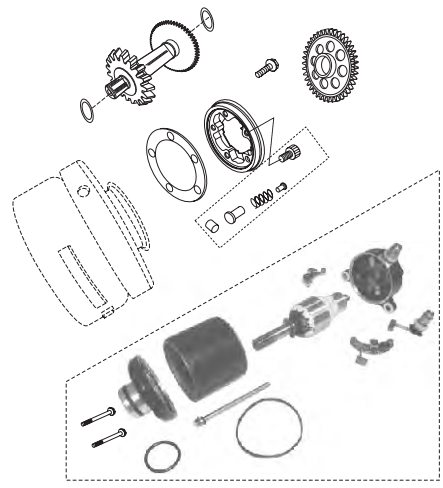
PLATE NO. : 19 OIL PUMP	PAGE NO. 38
	

PLATE NO. : 20 STARTER ASSLY	PAGE NO. 40
	

Pictorial Index

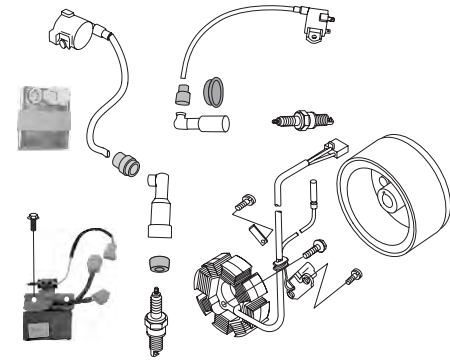
PLATE NO. : 21 MAGNETO / C.D.I. / H.T. COIL	PAGE NO. 42
	

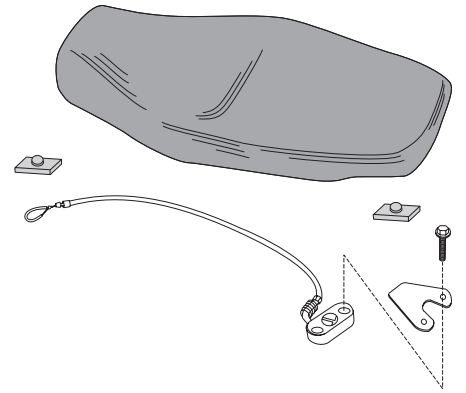
PLATE NO. : 22 SEAT ASSLY / SEAT LOCK	PAGE NO. 44
	

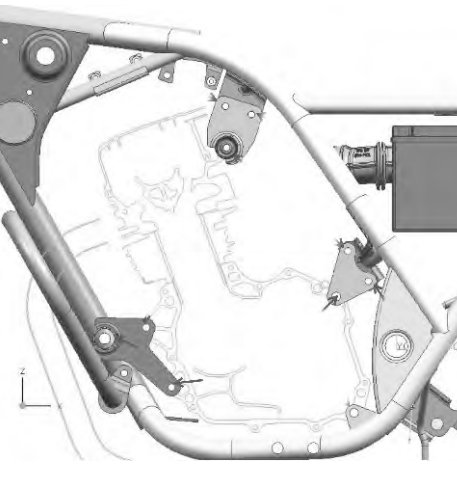
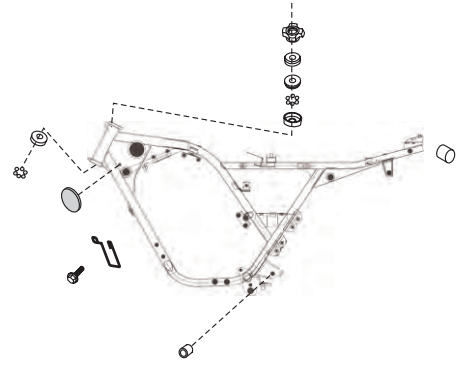
PLATE NO. : 23 ENGINE MOUNTINGS	PAGE NO. 46
	

PLATE NO. : 24 FRAME & FRAME FITTINGS	PAGE NO. 48
	

Pictorial Index

PLATE NO. : 25 SWING ARM / RR. SHOCK ABSORBER	PAGE NO. 50

PLATE NO. : 26 RIDER FOOT REST	PAGE NO. 52

PLATE NO. : 27 PILLION FOOT REST / HOLDER	PAGE NO. 54

PLATE NO. : 28 MUDGUARD FRONT & REAR	PAGE NO. 56

Pictorial Index

PLATE NO. : 29 STAND ASSLY	PAGE NO. 58

PLATE NO. : 30 TYRE / TUBE / RIM	PAGE NO. 60

PLATE NO. : 31 FRONT HUB	PAGE NO. 62, 64

PLATE NO. : 32 FRONT MASTER CYLINDER	PAGE NO. 66, 68

Pictorial Index

PLATE NO. : 33 FRONT DISC BRAKE CALIPER ASSLY	PAGE NO. 70
--	----------------

PLATE NO. : 34 REAR HUB	PAGE NO. 72, 74
----------------------------	--------------------

PLATE NO. : 35 REAR HUB	PAGE NO. 72, 74
----------------------------	--------------------

PLATE NO. : 36 REAR BRAKE PEDAL	PAGE NO. 76, 78
------------------------------------	--------------------

Pictorial Index

PLATE NO. : 37 HANDLE BAR	PAGE NO. 80,82,84
------------------------------	----------------------

PLATE NO. : 38 FRONT FORK	PAGE NO. 86
------------------------------	----------------

PLATE NO. : 39 PAINTED PARTS AND DECALS	PAGE NO. 88
--	----------------

PLATE NO. : 40 PETROL TANK, CAP TANK AND GAUGE FUEL	PAGE NO. 90
--	----------------

Pictorial Index

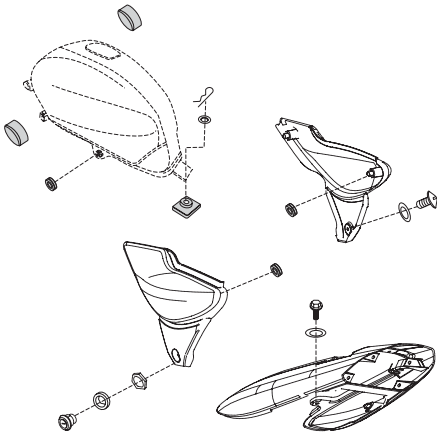
PLATE NO. : 41 FITTINGS - PETROL TANK, SIDE COVERS & COVER SEAT	PAGE NO. 92
	

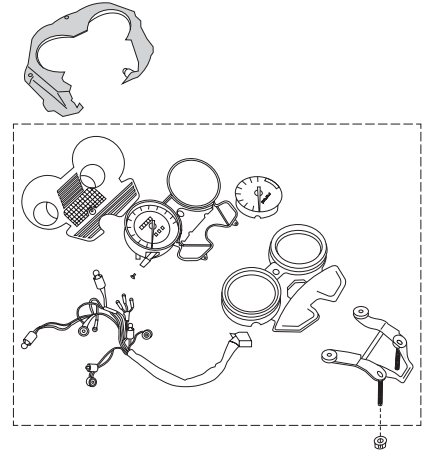
PLATE NO. : 42 METER ASSEMBLY	PAGE NO. 94
	

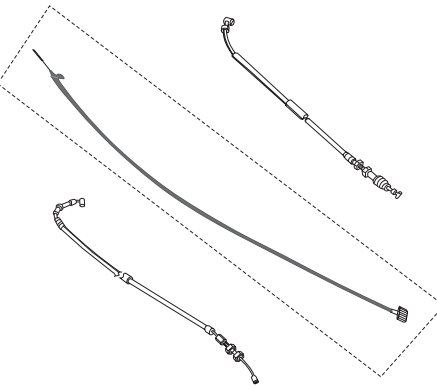
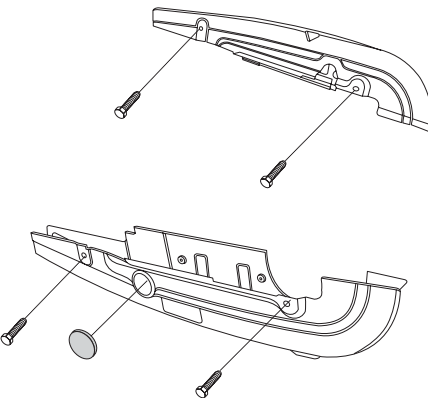
PLATE NO. : 43 CONTROL CABLES	PAGE NO. 96,98,100
	

PLATE NO. : 44 CHAIN CASE	PAGE NO. 102
	

Pictorial Index

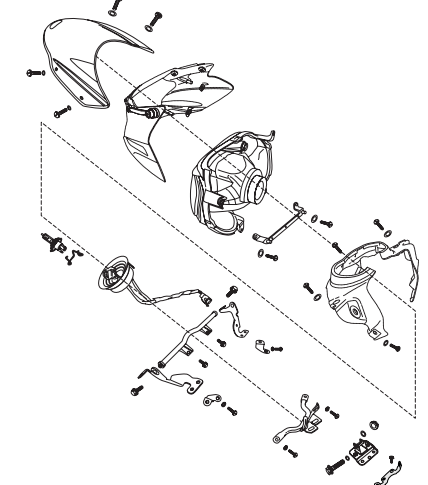
PLATE NO. : 45 HEAD LAMP & FAIRING	PAGE NO. 104
	

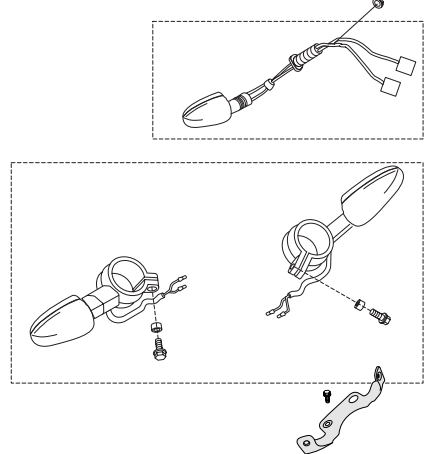
PLATE NO. : 46 INDICATOR LIGHT ASSEMBLY	PAGE NO. 106, 108
	

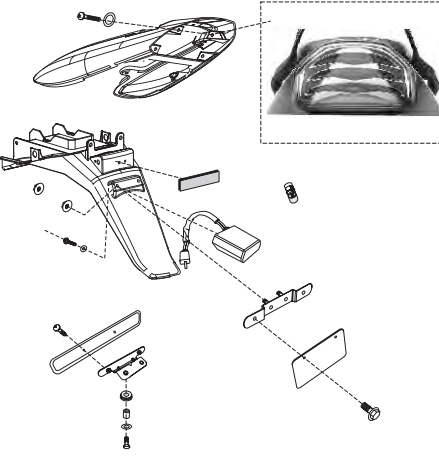
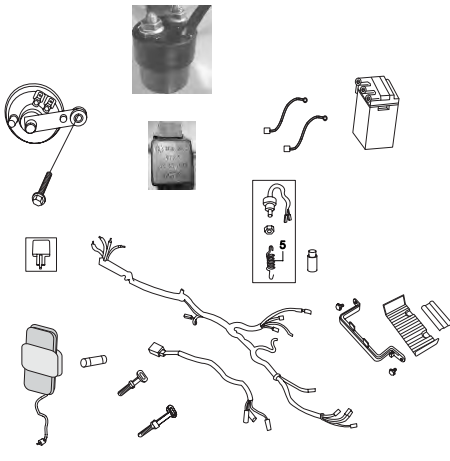
PLATE NO. : 47 TAIL LAMP ASSLY / FRONT NUMBER PLATE	PAGE NO. 110
	

PLATE NO. : 48 ELECTRICAL EQUIPMENTS	PAGE NO. 112
	

Pictorial Index

PLATE NO. : 49
TOOL KIT

PAGE NO.
112

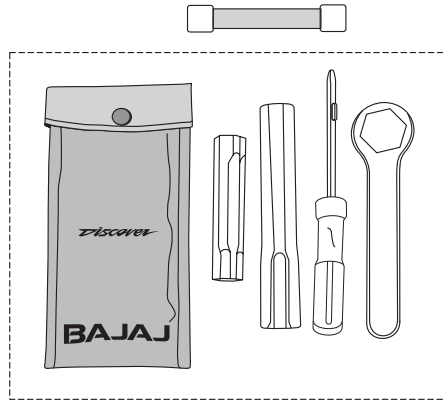
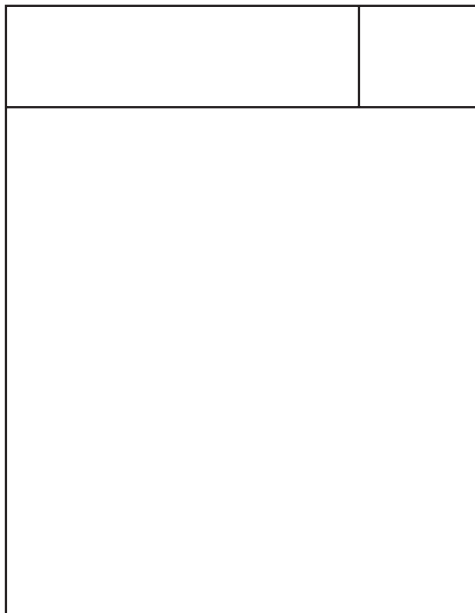
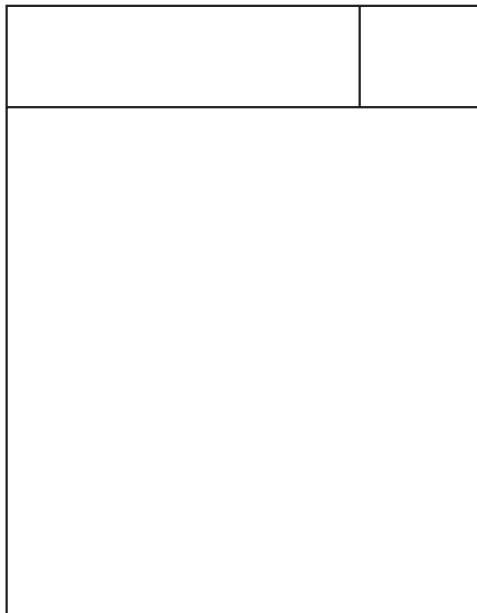
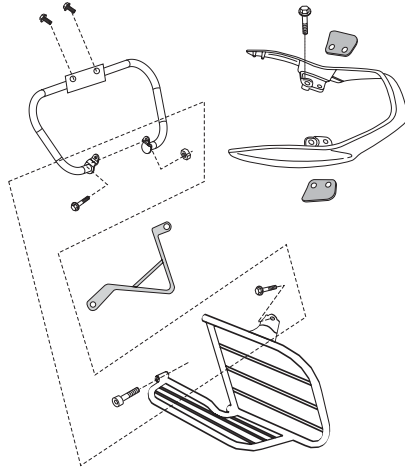
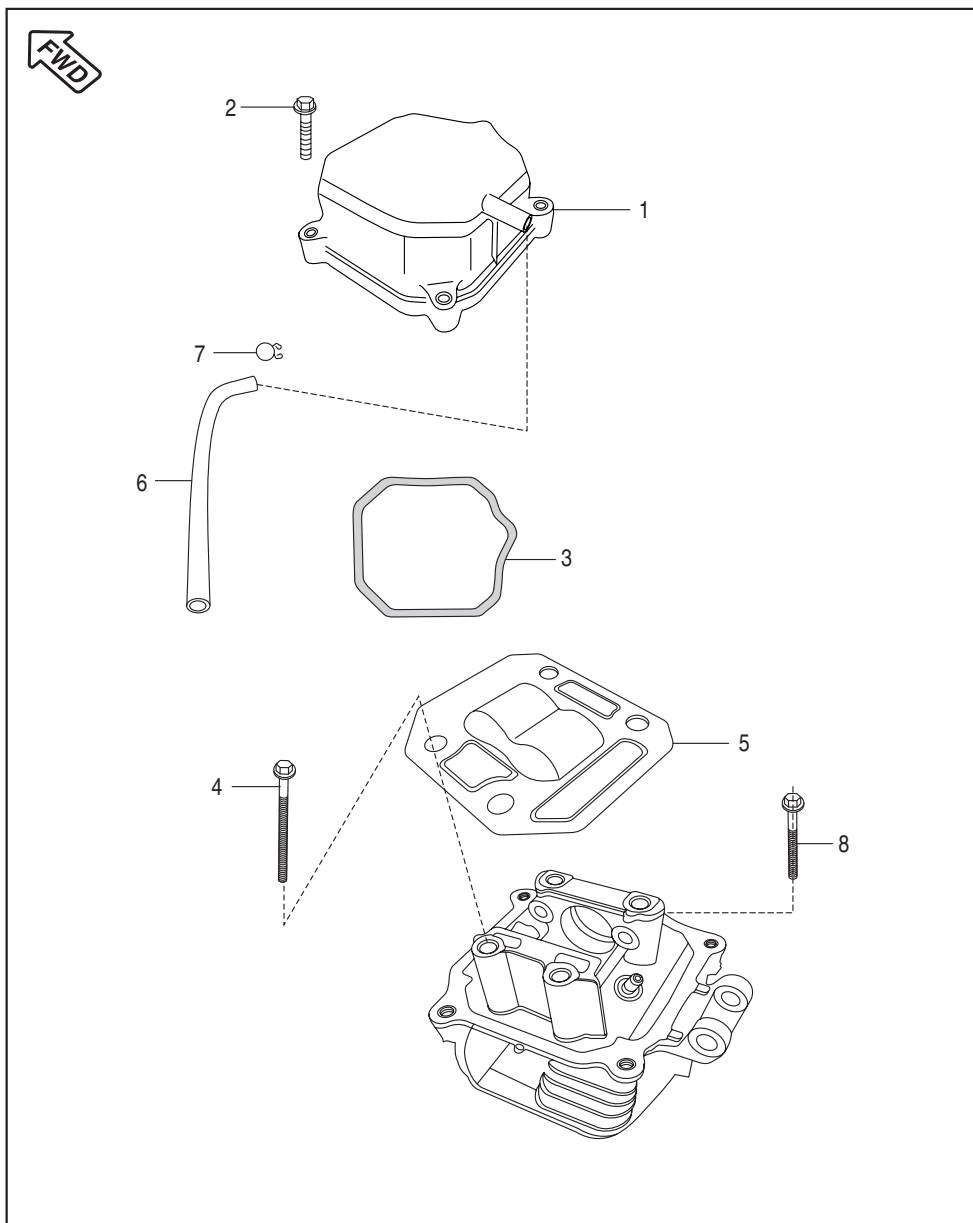


PLATE NO. : 50
ACCESSORIES / GRAB HANDLE

PAGE NO.
94

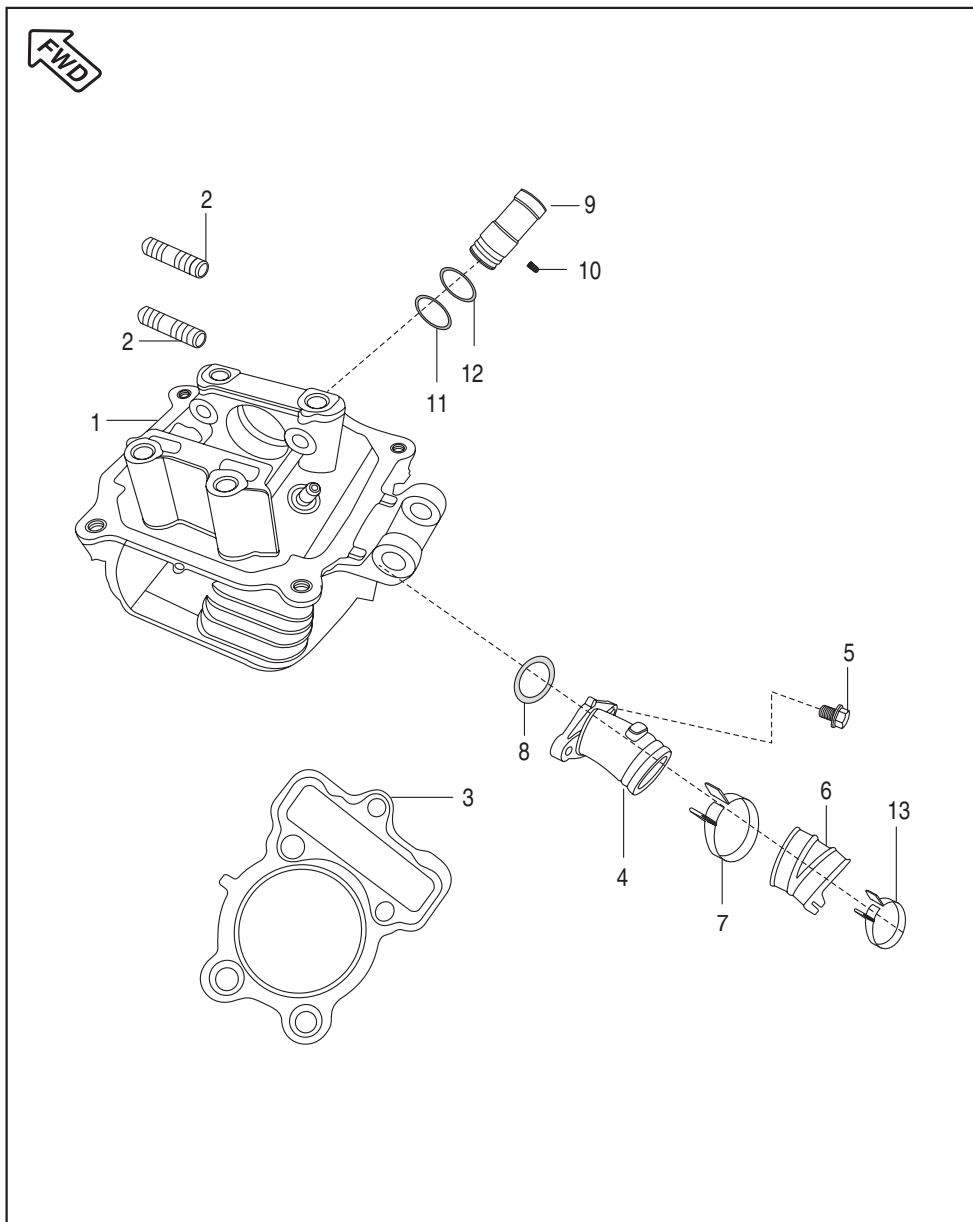


Cover Cylinder Head



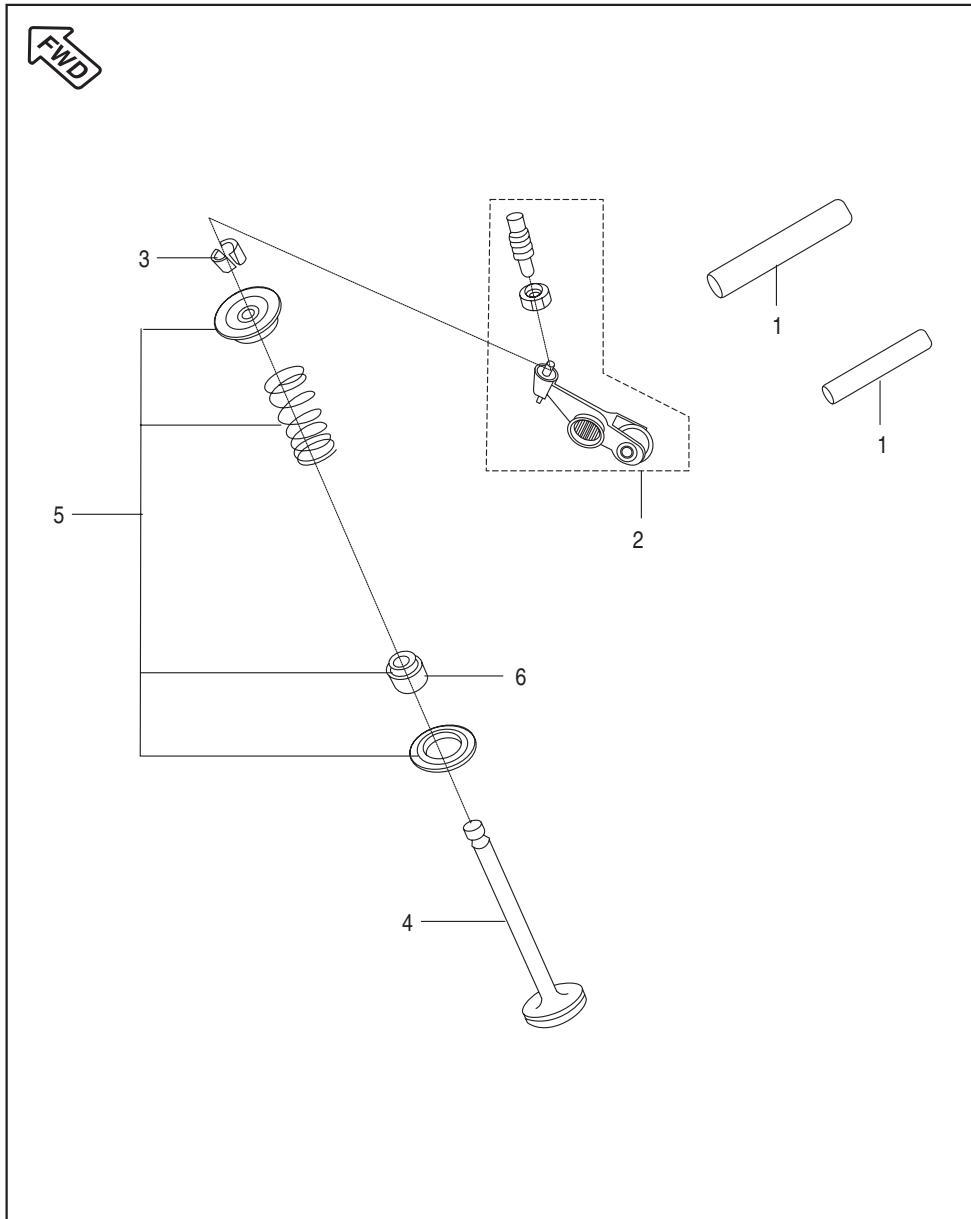
No.	Part No.	Description	DIS 125 DRUM	DIS 125 DISC	DIS 150 DISC	Remarks
1	JZ 5110 21	Cover Cylinder Head	1	1	1	
	JZ 5110 29	Cover Cylinder Head	1	1	-	Re-introduced
2	59 0400 38	Bolt Flange	4	4	4	
3	JD 5110 10	Gasket Head Cover	1	1	1	
4	JA 5110 08	Bolt Head Mounting	4	4	4	
5	PA 5110 39	Plate Cylinder Head	1	1	1	
6	JZ 5810 04	Hose C' case Breather	1	1	1	
7	JA 5110 29	Clamp	2	2	2	
8	59 0400 50	Flange Bolt	1	1	1	For Head Mtg.

Cylinder Head



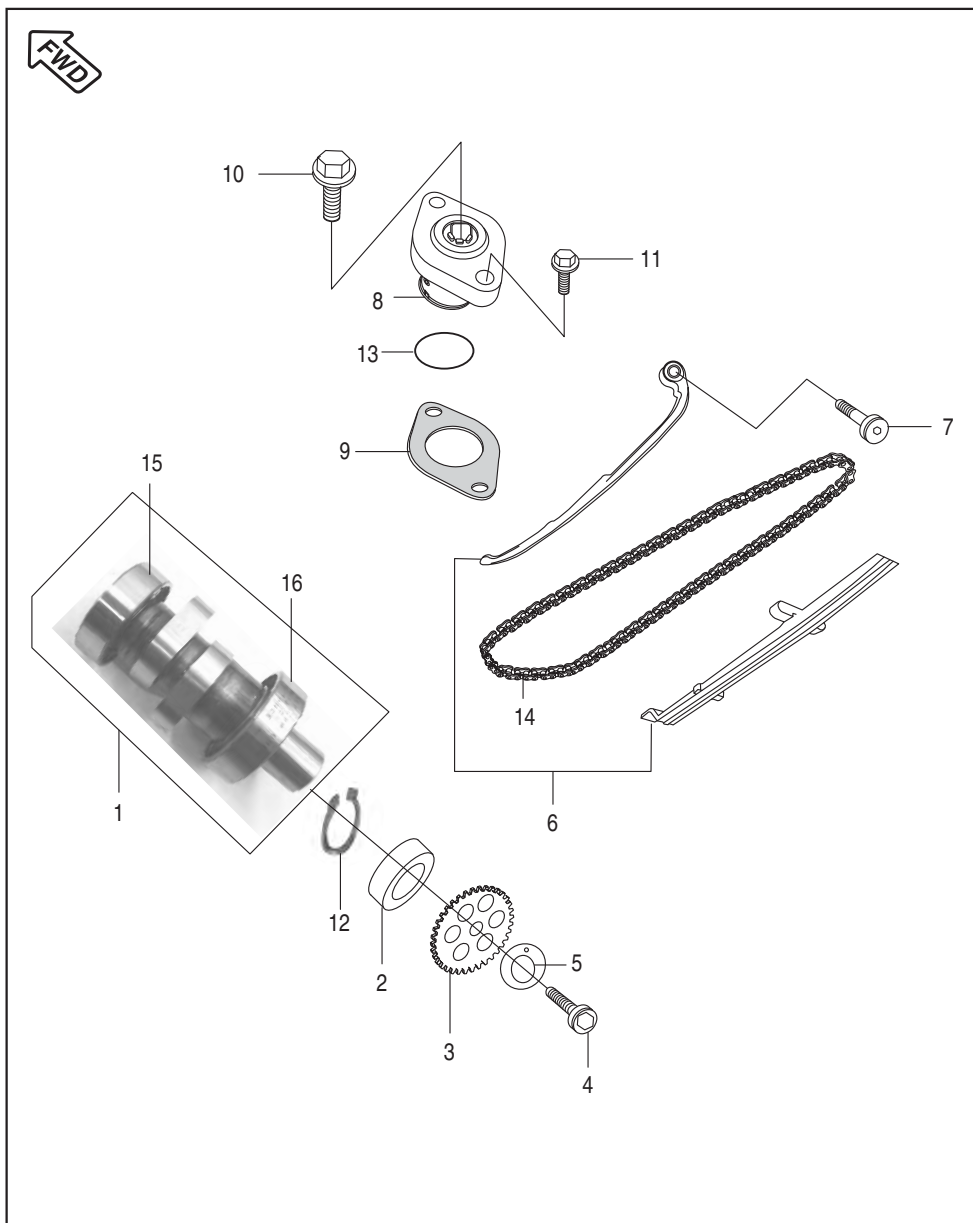
No.	Part No.	Description	DIS 125 DRUM	DIS 125 DISC	DIS 150 DISC	Remarks
1	36 JZ00 10	Head Cylinder Complete	--	--	1	With studs & Valve Guide
	36 JZ00 27	Head Cylinder Complete	1	1	--	
	36 JZ01 65	Head Cylinder Complete	1	1	--	
2	JA 5110 28	Stud	2	2	2	
3	JZ 5110 16	Gasket Cylinder Head	--	--	1	
	JD 5110 08	Gasket Cylinder Head	1	1	--	
4	JZ 5814 02	Intake Manifold	1	1	1	
5	JA 5814 06	Bolt Flange	2	2	2	
6	JZ 5812 10	Sleeve (Carb - Duct Rubber)	1	1	1	
7	DP 1011 98	Clamp (39mm)	1	1	1	
8	39 1283 21	'O' Ring (Intake Pipe)	1	1	1	
9	JB 5110 18	Sleeve Spark Plug R.H	1	1	1	
10	39 2608 01	Grub Screw	1	1	1	
11	39 2629 21	'O' Ring Sleeve	1	1	1	
12	39 1283 21	'O' Ring Sleeve	1	1	1	
13	AA 1210 45	Clamp	1	1	1	

Valve

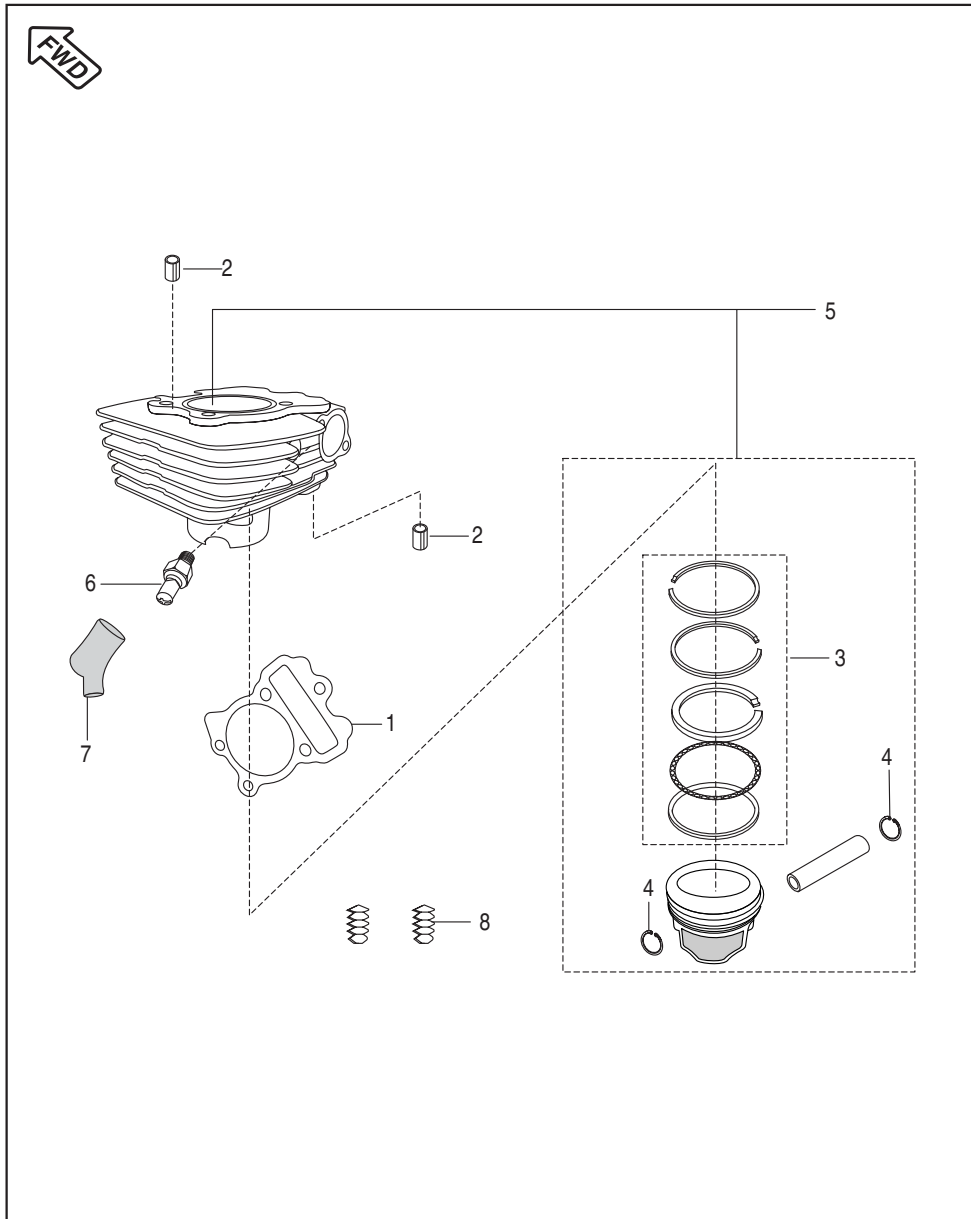


No.	Part No.	Description	DIS 125 DRUM	DIS 125 DISC	DIS 150 DISC	Remarks
1	JA 5112 11	Shaft Rocker Arm Exhaust	2	2	2	
2	JZ 5112 03	Rocker Arm with Roller	2	2	2	
3	DG 1010 29	Cotter Valve (Collet)	4	4	4	
4	36 JZ00 01	Valve Kit	1	1	1	Refer Page No. 120
5	36 JZ00 04	Valve Repair Kit	1	1	1	Refer Page No. 120
6	39 2017 19	Seal Valve Stem	2	2	2	

Camshaft / Tensioner



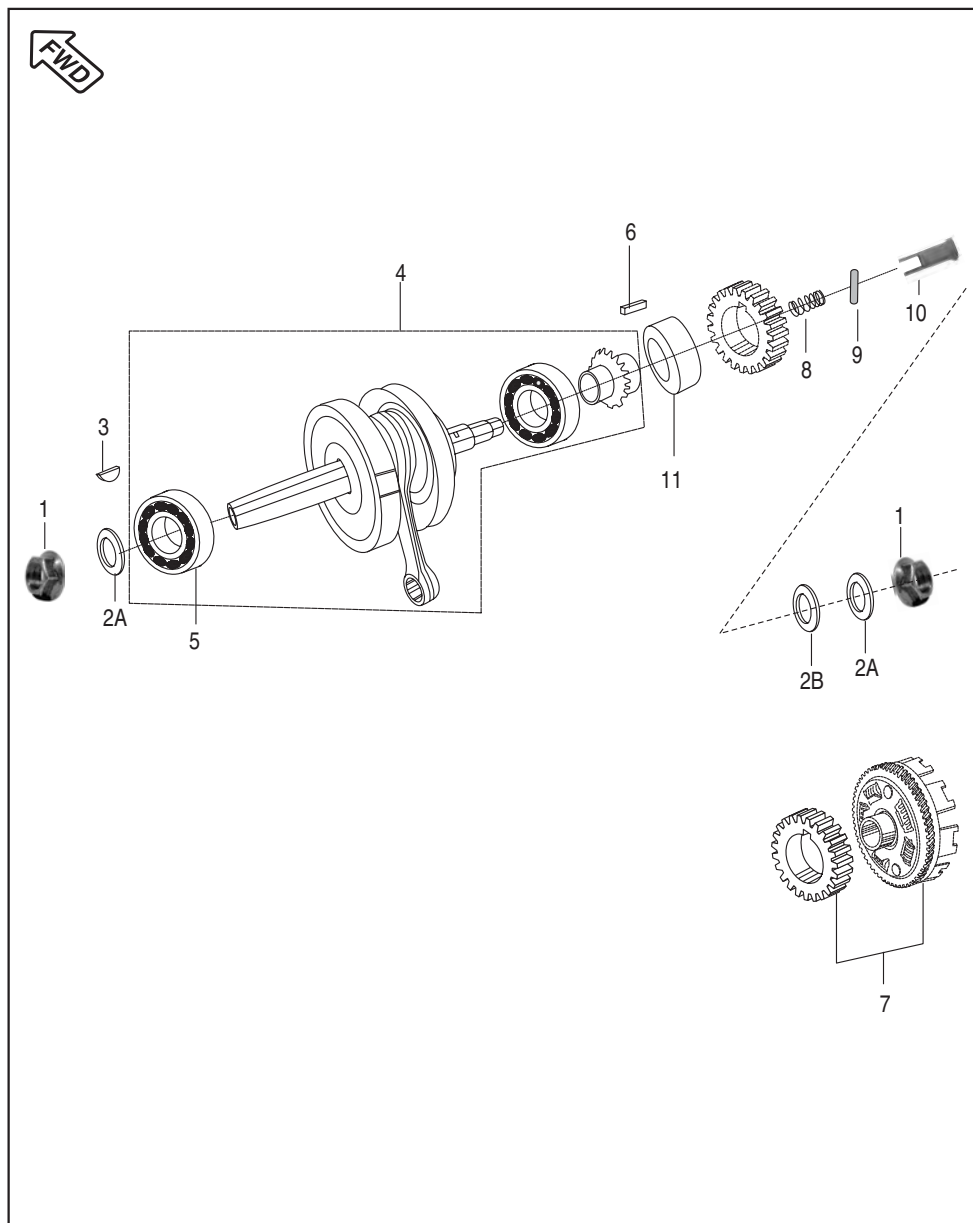
No.	Part No.	Description	DIS 125 DRUM	DIS 125 DISC	DIS 150 DISC	Remarks
1	JZ 5110 04	Camshaft Complete	1	1	1	
2	JA 5112 16	Spacer Cam Sprocket	1	1	1	
3	DS 1012 76	Sprocket Cam Shaft	1	1	1	
4	DH 1013 87	Bolt Allen Bolt	1	1	1	
5	DH 1010 48	Special Washer ('O' Washer)	1	1	1	
6	36 JE00 03	Guide Chain Kit	1	1	1	Refer Page No. 120
7	DH 1013 92	Bolt Special	1	1	1	
8	JA 5210 17	Adjuster Assly Chain	1	1	1	
	JV 5210 03	Adjuster Assly Chain	1	1	-	Re-introduced
9	CS 1011 28	Gasket	1	1	1	
10	DD 1010 62	Bolt	1	1	1	
11	39 1673 04	Flange Bolt	2	2	2	Re-introduced
12	39 0594 17	Circlip for Camshaft	1	1	1	
13	39 2669 21	'O' Ring (Tensioner)	1	1	1	
14	DS 1099 05	Cam Chain (94 Link)	1	1	1	
15	39 2683 20	Bearing Ball	1	1	1	
	JE 5110 49	Bearing Ball	1	1	-	Ref. Cir. IB-221
16	39 1880 20	Bearing Ball	1	1	1	



Cylinder and Piston

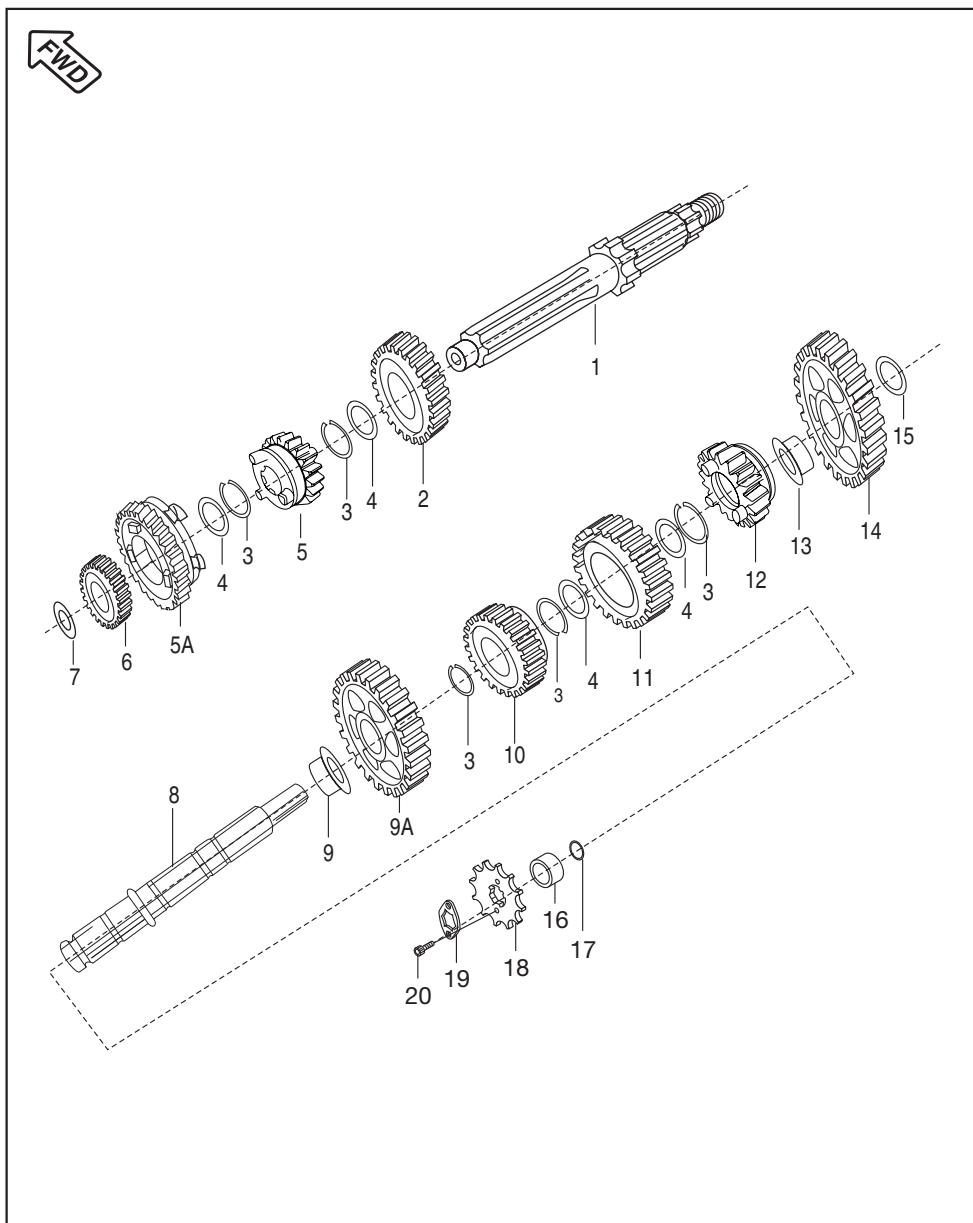
No.	Part No.	Description	DIS 125 DRUM	DIS 125 DISC	DIS 150 DISC	Remarks
1	JD 5210 02	Gasket Cylinder	1	1	1	
2	39 1000 06	Dowel Pin	4	4	4	
3	36 JZ00 05	Piston Ring Set	--	--	1	Ref Page No. 120
	36 JE00 02	Piston Ring Set	1	1	--	Ref Page No. 119
4	DP 1011 65	Wire Circlip	2	2	2	
5	36 JZ00 02	Cylinder Block / Piston Assly.	--	--	1	Molycoat Piston
	36 JZ00 24	Cylinder Block / Piston Assly.	1	1	-	
	36 JZ01 66	Cylinder Block / Piston Assly.	1	1	-	Re-introduced
6	JW 3514 00	Thermal Sensor	1	1	1	
7	JB 4022 02	Grommet for Thermal Sensor	1	1	1	
8	JA 5210 15	Damper	3	3	3	

Crankshaft

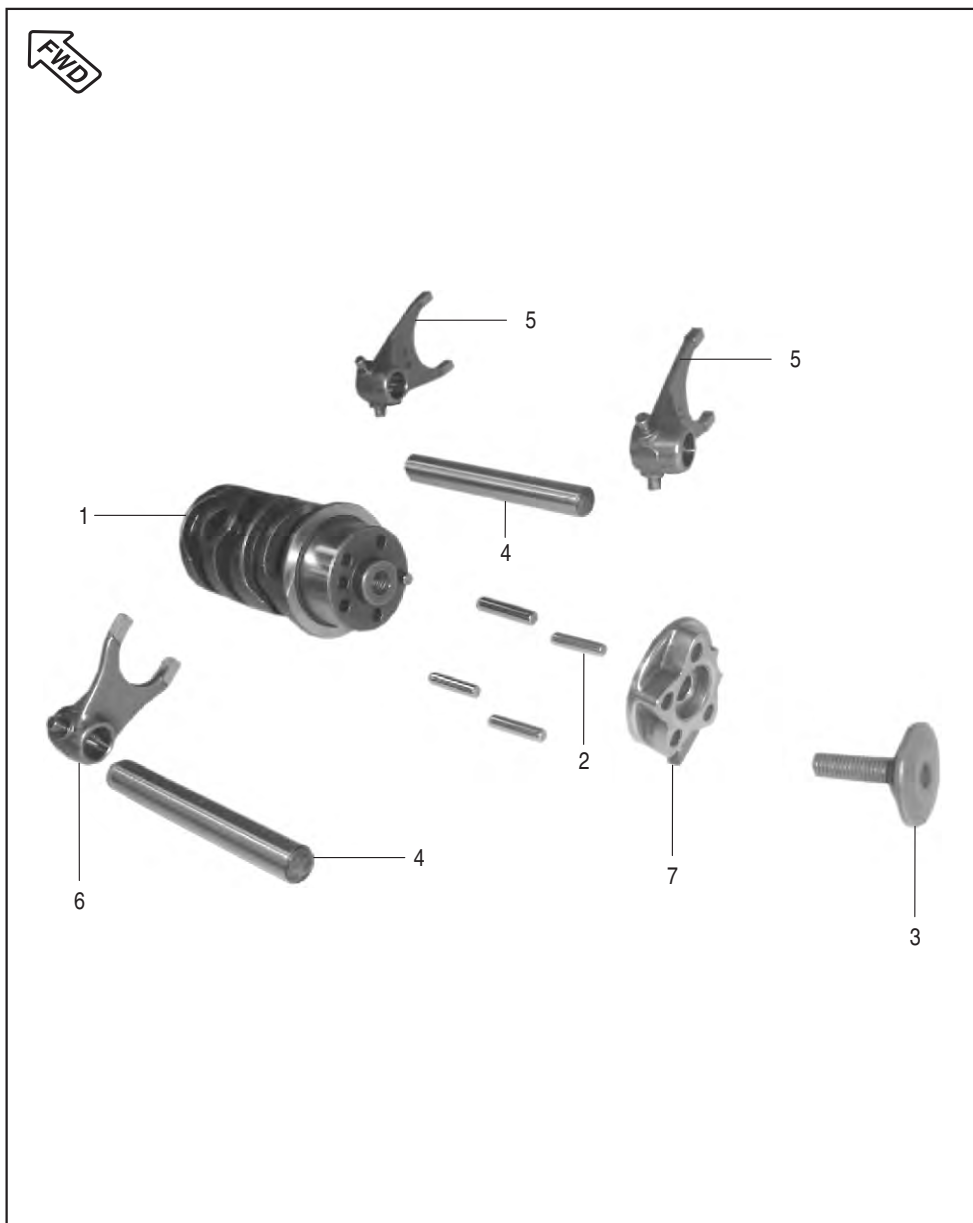


No.	Part No.	Description	DIS 125 DRUM	DIS 125 DISC	DIS 150 DISC	Remarks
1	59 1500 14	Flange Nut	2	2	2	
2A	59 1200 03	Belleville Washer	2	2	2	
2B	59 1100 08	Plain Washer	1	1	1	
3	31 1011 73	Woodruff Key	1	1	1	
4	JZ 5310 07	Crank Shaft Assly	1	1	---	
	JE 5310 00	Crank Shaft Assly	---	---	1	
5	JE 5310 01	Ball Bearing	--	--	2	
	39 1864 20	Ball Bearing	1	1	---	
6	DS 1011 54	Parallel Key	1	1	1	
7	36 JZ00 14	Set Primary Drive / Driven	--	--	1	Refer page no.122
	36 JZ00 23	Set Primary Drive / Driven	1	1	-	Refer page no.119
8	JA 531012	Spring	1	1	1	
9	JA 5310 15	Parallel Pin	1	1	1	
10	JB 5310 21	Plunger Oil	1	1	1	
11	JD 5310 04	Spacer Crankshaft Clutch Side	1	1	1	

Transmission



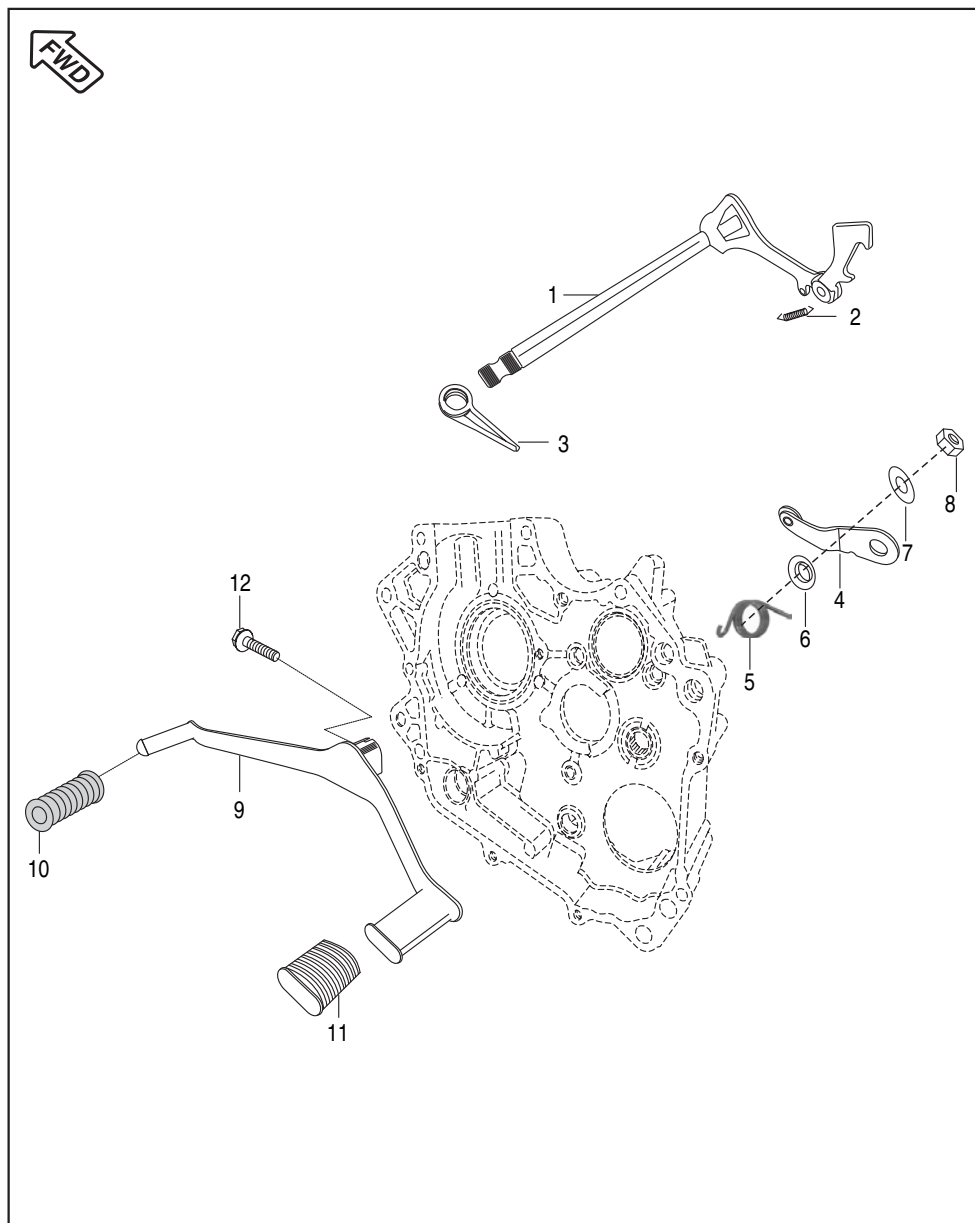
No.	Part No.	Description	DIS 125 DRUM	DIS 125 DISC	DIS 150 DISC	Remarks
1	JZ 5510 01	Shaft I/P Transmission	--	--	1	
	JZ 5510 06	Shaft I/P Transmission-Forged	--	--	1	From 21.11.2010
	JZ 5510 10	Shaft I/P Gun hole	1	1	--	
2	JZ 5512 02	Gear 4th Drive	1	1	1	
3	39 0987 17	Ring Snap	1	1	5	
4	JA 5510 02	Spline Washer	1	1	4	
5	JZ 5512 01	Gear 3rd Drive	1	1	1	
	JE 5512 01	Gear 3rd Drive	1	1	1	from Eng no. JZMBVA55392
5A	JZ 5512 03	Gear 5th Drive	--	--	1	Upto 21.11.2010
	JZ 5512 13	Gear 5th Drive	1	1	1	
6	JZ 5512 00	Gear 2nd Drive	1	1	1	
7	JA 5510 04	Washer Thrust 2nd Drive	1	1	1	
8	JZ 5510 03	Shaft Output Transmission	--	--	1	Upto 21.11.2010
	JZ 5510 08	Shaft O/P Transmission-Forged	1	1	1	
9	JZ 5512 10	Bush 2nd Driven	1	1	1	
9A	JZ 5512 06	Gear 2nd Driven	1	1	1	
10	JZ 5512 09	Gear 5th Driven	--	--	1	Upto 21.11.2010
	JZ 5512 11	Gear 5th Driven	1	1	1	
	JE 5512 06	Gear 3rd Driven	1	1	--	Re-introduced
11	JZ 5512 07	Gear 3rd Driven	--	--	1	Upto 21.11.2010
	JZ 5512 12	Gear 3rd Driven	1	1	1	
	JE 5512 06	Gear 3rd Driven	1	1	1	from Eng no. JZMBVA55392
12	JZ 5512 08	Gear 4th Driven	1	1	1	
13	JZ 5512 05	Bush 1st Driven	1	1	1	
14	JZ 5512 04	Gear 1st Driven	1	1	1	
15	JA 5510 08	Washer Thrust 1st Driven	1	1	1	
16	JA 5510 09	Collar Sprocket Drive	1	1	1	
17	59 2100 24	'O' Ring Collar Sprocket	1	1	1	
18	JZ 5510 04	Sprocket Drive	1	1	1	
19	DU 1012 13	Plate Lock Sprocket	1	1	1	
20	39 1981 04	Socket Head Bolt	2	2	2	



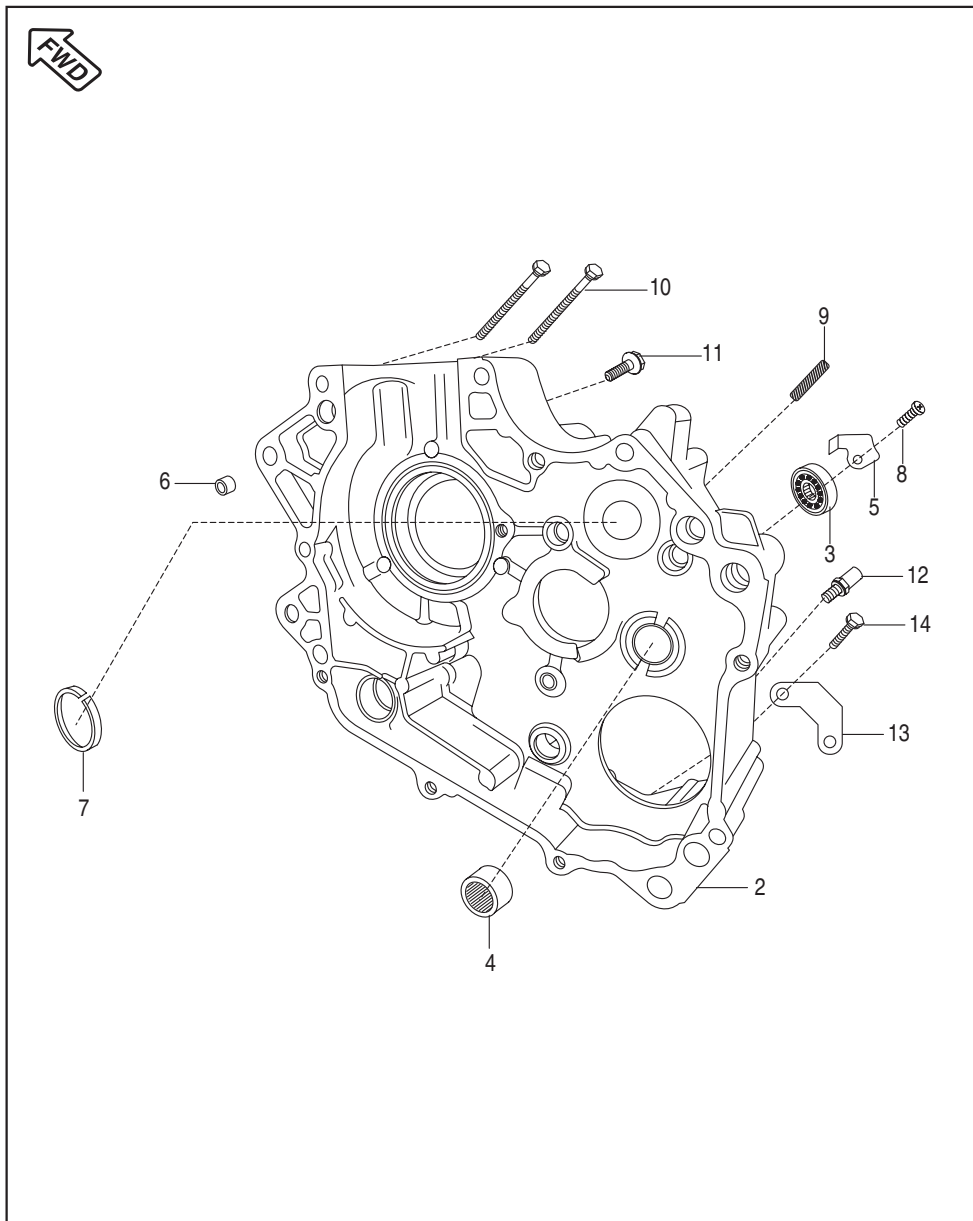
Change Drum / Shift Fork

No.	Part No.	Description	DIS 125 DRUM	DIS 125 DISC	DIS 150 DISC	Remarks
1	JZ 5610 00	Drum Complete Gear Shift	1	1	1	Re-introduced
	PA 5610 00	Drum Complete Gear Shift	1	1	-	
2	39 0992 06	Dowel (Pin Drum Change)	4	4	4	
3	JD 5610 11	Special Bolt	1	1	1	
4	JD 5610 06	Shaft Gear Shift Fork	2	2	2	
5	JD 5610 04	Fork Gear Shift Output	2	2	2	
6	JZ 5610 02	Fork Gear Shift Input	1	1	1	
7	JE 5610 05	Cam Drum Change	1	1	1	Ref. Ci. IB-186

Gear Change Mechanism



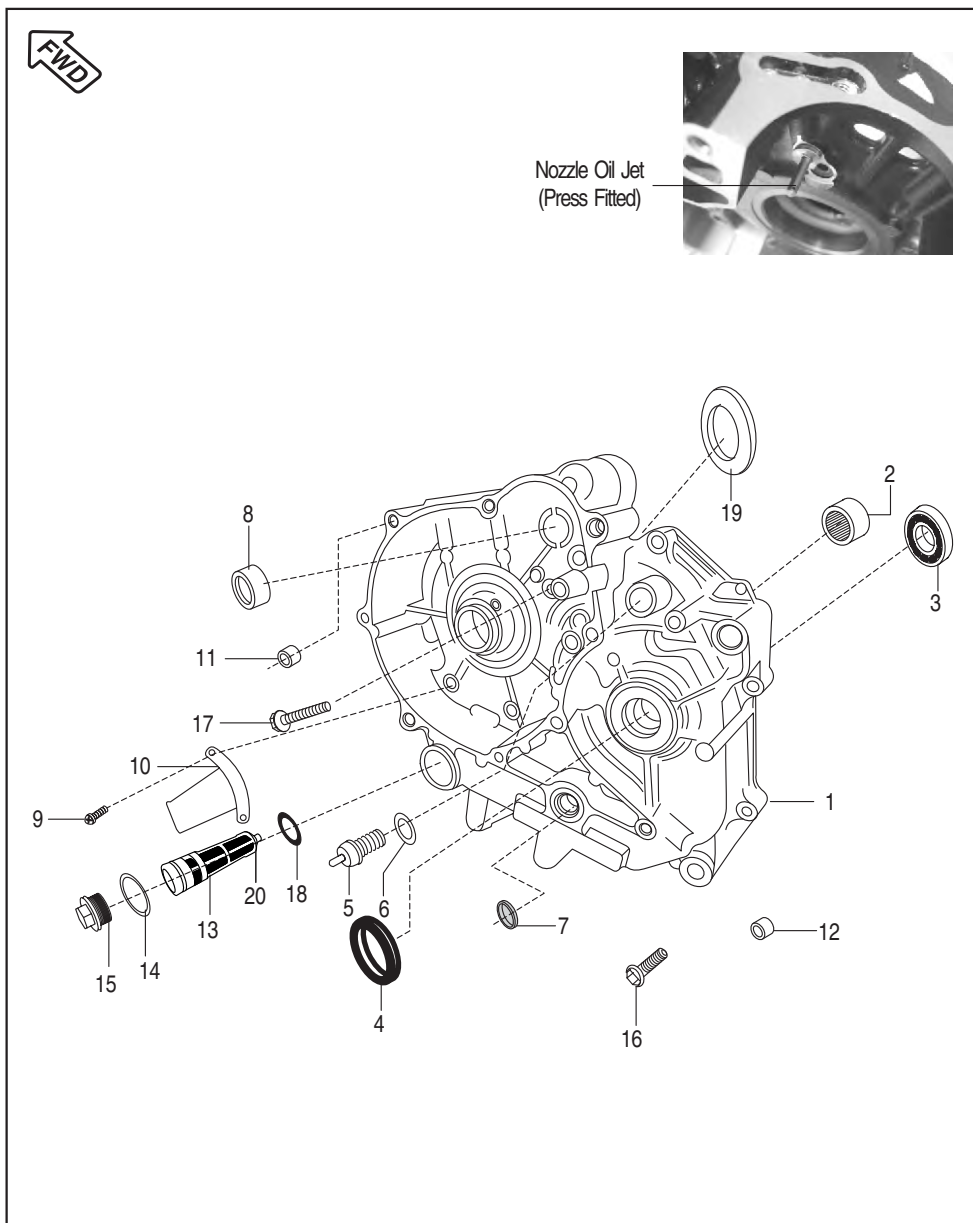
No.	Part No.	Description	DIS 125 DRUM	DIS 125 DISC	DIS 150 DISC	Remarks
1	52 Jz02 64	Lever Complete Gear Shift	1	1	1	Re-introduced
2	JW 5612 06	Extension Spring	1	1	1	
3	JW 5612 08	Spring Gear Shift Return	1	1	1	
4	JD 5612 03	Inhibitor Complete Gear Shift	-	-	1	
	PA 5612 09	Inhibitor Complete	1	1	-	Re-introduced
5	JD 5612 04	Spring Inhibitor	1	1	1	
6	JA 5612 09	Step Washer (Collar)	-	-	1	
	BF 5612 19	Bolt Detent Lever	1	1	-	Re-introduced
7	39 2704 11	Plain Washer	-	-	1	
	LD B000 44	Washer Plain	1	1	-	Re-introduced
8	39 0817 15	Nut	-	-	1	
9	JZ 5614 15	Lever Complete Gear Shifter	1	1	1	
10	DH 1015 09	Damper	1	1	1	
11	JH 5614 04	Damper	1	1	1	
12	39 1902 04	Flange Bolt	1	1	1	



Engine Assembly / Crankcase RH

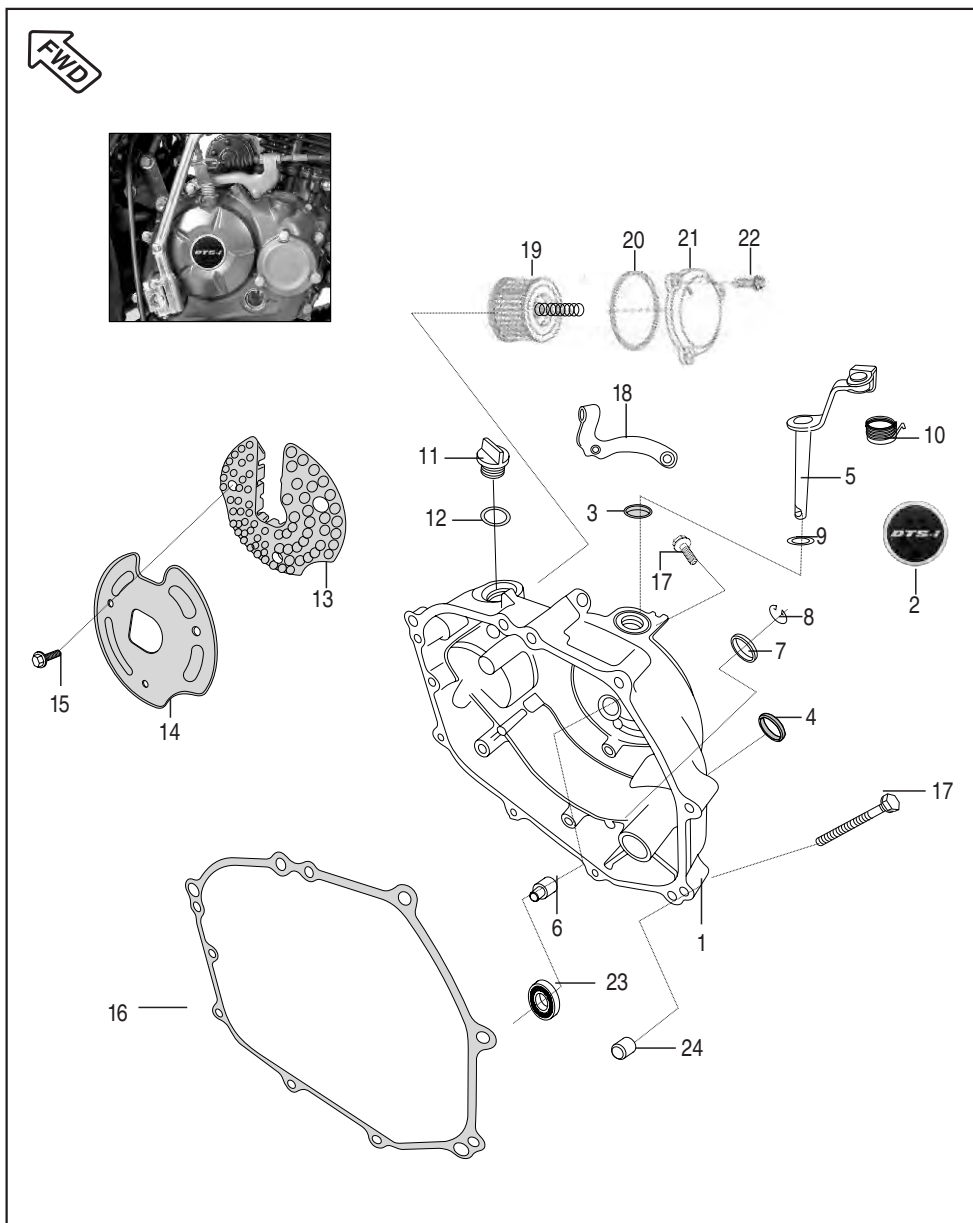
No.	Part No.	Description	DIS 125 DRUM	DIS 125 DISC	DIS 150 DISC	Remarks
1	JZ 5010 01	Engine Assly	1	1	--	N.I. N.S
	JZ 5010 00	Engine Assly	--	--	1	N.I. N.S
	JZ 5010 09	Engine Assly	1	1	--	N.I. Re-introduced
2	PA 5410 11	Crankcase Clutch Side	1	1	--	NRB + Bush + Stud
	36 JZ00 09	Crankcase Clutch Side	--	--	1	NRB + Bush + Stud
	36 JZ01 68	C'case Clutch Side NRB + Bush	1	1	--	Re-introduced
3	59 2000 36	Bearing Ball	1	1	1	For I/P Shaft.
4	JA 5410 11	Needle Roller Bearing	1	1	1	For O/P Shaft.
5	JA 5410 10	Stopper Plate	1	1	1	
6	39 1000 06	Dowel Pin	2	2	2	
7	DU 1010 85	Bushing	1	1	1	
8	DH 1013 80	Screw	1	1	1	
9	52 JA00 27	Stud Inhibitor Mounting	1	1	1	
10	JA 5412 35	Bolt	2	2	2	Crankcase Mtg.
	39 1740 04	Bolt	2	2	--	Re-introduced
11	59 0400 38	Bolt Flange	1	1	1	Crankcase Mtg.
12	52 JA00 29	Bolt Shift Change	1	1	1	Alt. For JA541014
13	JA 5410 12	Guide Kick	1	1	1	
14	39 1964 04	Hexagon Bolt	2	2	2	

Crankcase LH

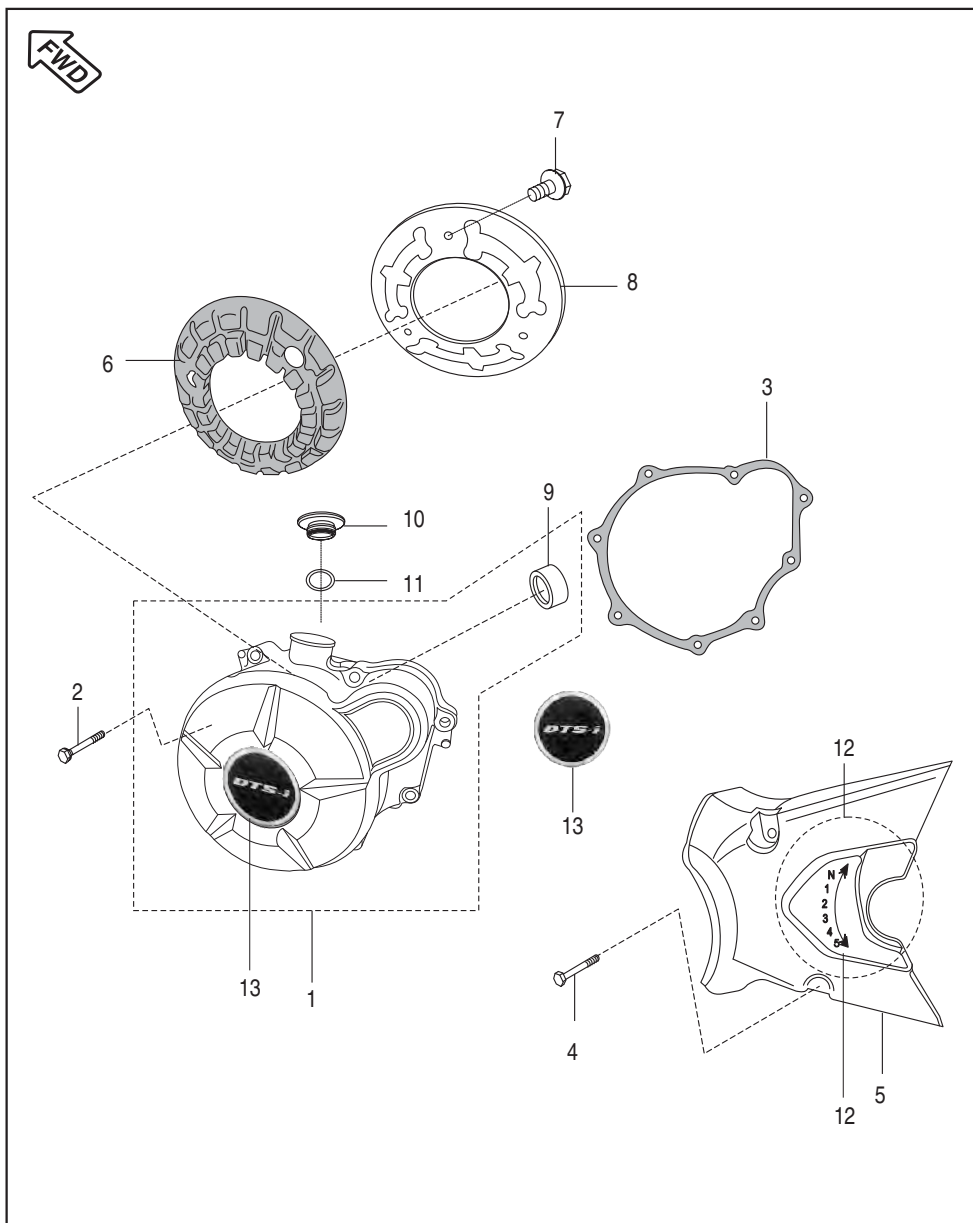


No.	Part No.	Description	DIS 125 DRUM	DIS 125 DISC	DIS 150 DISC	Remarks
1	36 JZ00 11	Crankcase Magneto Side	--	--	1	NRB + Bush
	36 JZ00 28	Crankcase Magneto Side	1	1	--	NRB + Bush
	36 JZ01 67	C'case Mag Side NRB + Bush	1	1	--	Re-introduced
2	39 2562 20	Needle Roller Bearing	1	1	1	
3	59 2000 36	Ball Bearing	1	1	1	
4	39 1715 19	Seal Oil	1	1	1	Output Shaft
5	31 2010 81	Neutral Switch	1	1	1	
6	DH 1017 84	Gasket Neutral Switch	1	1	1	
7	39 2190 19	Oil Seal	1	1	1	Shifter Shaft
8	JA 5410 05	Bush Starter Clutch	1	1	1	Starter Clutch
9	39 0747 01	Pan Head Screw	2	2	2	
10	JA 5410 34	Stopper Gear Starter Clutch	1	1	1	
11	39 1000 06	Hollow Dowel Pin	4	4	4	
12	39 0999 06	Hollow Dowel Pin	4	4	4	
13	JA 5410 19	Mesh Filter Oil strainer	1	1	1	
14	59 2100 23	'O' Ring Cap Strainer	1	1	1	
15	JA 5410 21	Cap Strainer	1	1	1	
	JV 5410 06	Cap Strainer	1	1	--	Re-introduced
16	59 0400 38	Bolt Flange	6	6	6	Crankcase Mtg.
17	39 1759 04	Bolt	1	1	1	Crankcase Mtg.
18	JA 5410 20	'O' Ring Mesh Filter Oil Strainer	1	1	1	
	59 2100 23	O' Ring	1	1	--	Re-introduced
19	JD 5410 00	Damper Crankshaft	--	--	1	
	JA 5410 27	Damper Crankshaft	1	1	--	
20	JA 5410 19	Strainer Assly.	1	1	1	
	JG 5710 24	Strainer Assly.	1	1	--	Re-introduced

Cover RH



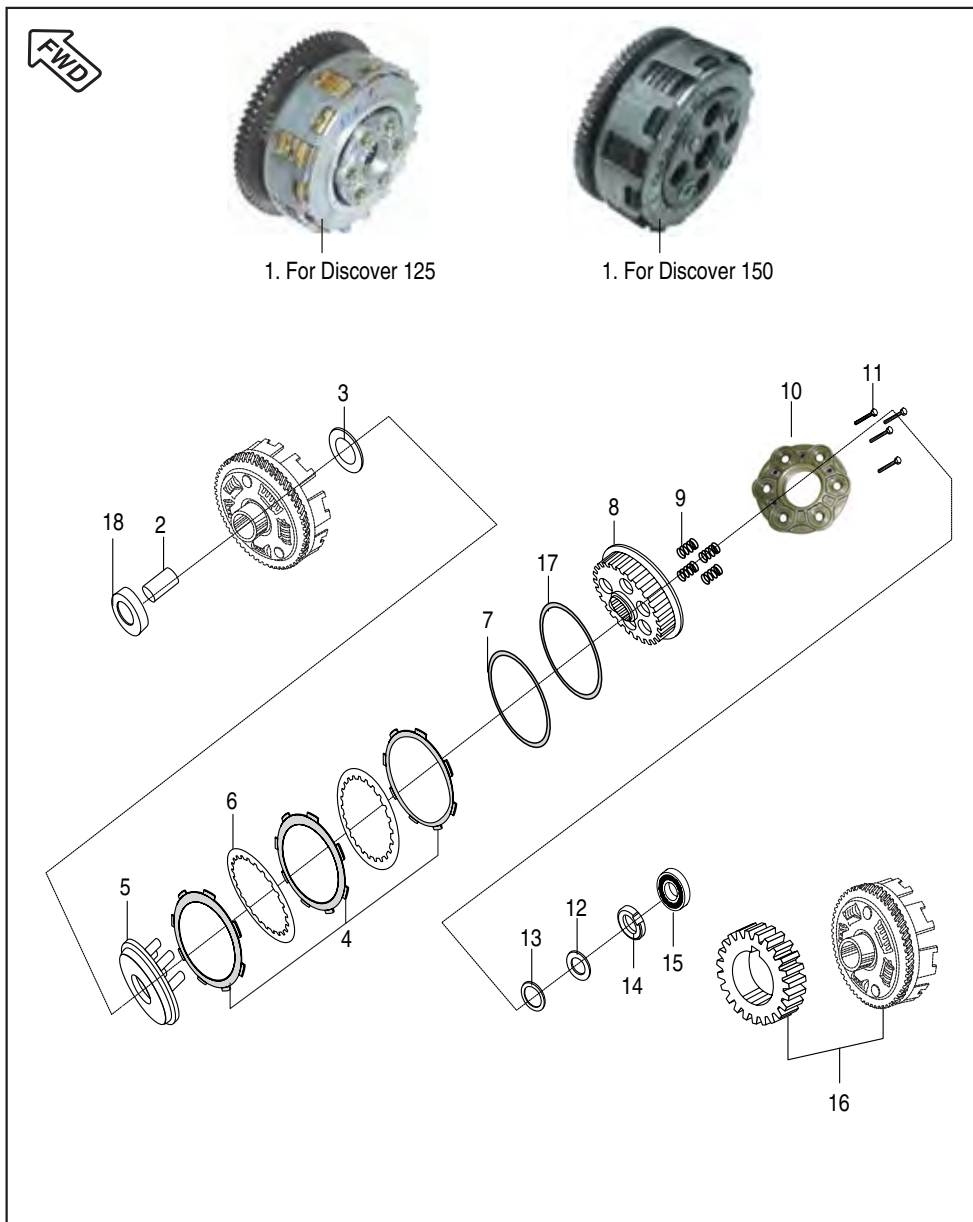
No.	Part No.	Description	DIS 125 DRUM	DIS 125 DISC	DIS 150 DISC	Remarks
1	36 JZ00 25	Clutch Cover	1	1	1	Gauge + Circlip
	52 JE00 18	Clutch Cover	1	1	-	Re-introduced
2	JE 5412 11	Decal Clutch Cover	1	1	1	
3	39 1041 19	Oil Seal Clutch Lever	1	1	1	
4	30 1011 42	Oil Seal (Kick Shaft)	1	1	1	
5	JW 5410 05	Shaft Clutch Release	1	1	1	
	JV 5412 08	Shaft Clutch Release	1	1	-	Re-introduced
6	JE 5514 01	Rod Push	--	--	1	
	DP 1012 69	Rod Push	1	1	--	
7	DG 1014 18	Gauge	1	1	1	Oil Level Check
8	DS 1012 15	Wire Circlip	1	1	1	
9	JA 5412 36	Plain Washer	1	1	1	
	39 2443 11	Plain Washer	1	1	-	Re-introduced
10	JA 5412 37	Spring Torsion Clutch Lever	1	1	1	
	JE 5412 14	Spring Torsion Clutch Lever	1	1	-	Re-introduced
11	JA 5412 11	Cap Oil Filler	1	1	1	
12	JA 5412 25	'O' Ring Cap Oil Filler	1	1	1	
13	JE 5412 09	Damper	1	1	1	
14	JA 5412 16	Plate Damper	1	1	1	
15	39 2208 04	Bolt Flange	3	3	3	Not Applicable to Discover 125
16	JA 5412 12	Gasket Clutch Cover	1	1	1	
17	59 0400 38	Bolt Clutch	8	8	8	Re-introduced
	39 1673 04	Bolt Flange	8	8	-	Re-introduced
18	JW 5410 00	Bracket Clutch Cable	1	1	1	
	JV 5412 09	Bracket Clutch Cable	1	1	-	Re-introduced
19	DD 1211 81	Oil Filter Element	1	1	1	
20	39 1671 21	'O' Ring	1	1	1	
21	JZ 5412 14	Cap Filter	1	1	1	
	JA 5412 11	Cap Filter	1	1	-	Re-introduced
22	39 1673 04	Bolt Flange	3	3	3	
23	14 1510 33	Bearing Push Rod	1	1	1	
24	39 0999 06	Pin Hollow Dowel	2	2	2	



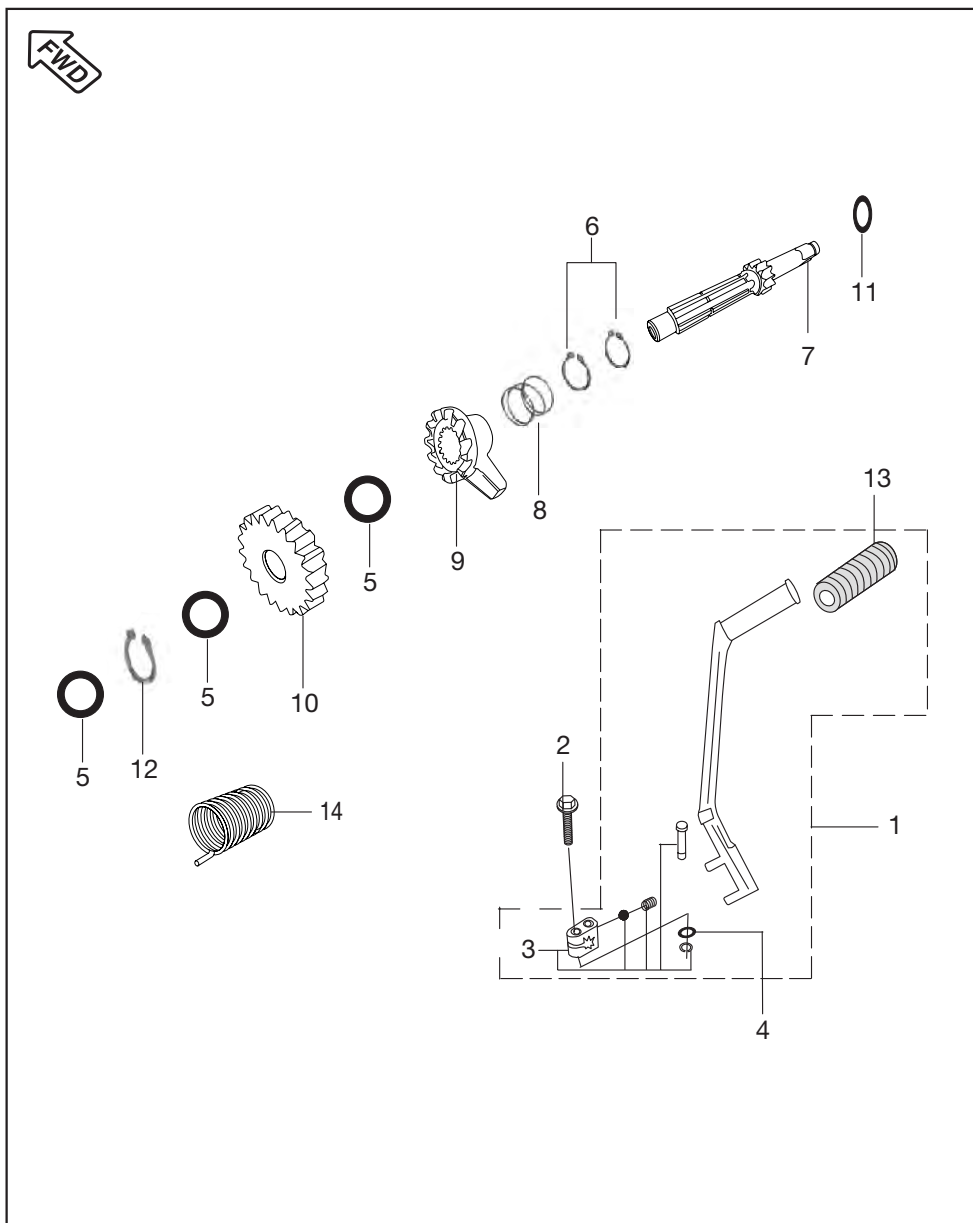
Cover Magneto

No.	Part No.	Description	DIS 125 DRUM	DIS 125 DISC	DIS 150 DISC	Remarks
1	36 JZ00 15	Cover Magneto	1	1	1	With Bush
	52 JE00 17	Cover Magneto	1	1	-	Re-introduced
2	JA 5410 44	Bolt Flange	8	8	8	
	39 1065 04	Bolt Flange	8	8	-	Re-introduced
3	JA 5412 05	Gasket Magneto Cover	1	1	1	
4	59 0400 38	Bolt	2	2	2	
5	JZ 5412 02	Cover LH Rear Complete	1	1	1	Without label
	JZ 5412 35	Cover LH Rear Complete	1	1	-	Re-introduced
6	JE 5412 10	Damper Cover LH	1	1	1	
7	DH 1013 88	Flanged Bolt	3	3	3	
8	JA 5412 21	Plate Damper Cover LH	1	1	1	Not Applicable to Re-introduced Discover 125
9	JA 5410 05	Bush	1	1	1	
10	JA 5412 33	Threaded Cap TDC Finder	1	1	1	
11	30 1011 95	'O' Ring	1	1	1	
12	JW 2330 00	Sticker Gear Shifting	1	1	1	N.S
12A	JZ 5412 37	Sticker Gear Shifting	1	1	-	
13	JE 5412 12	Decal Magneto Cover	1	1	1	
	JZ 5412 37	Decal Magneto Cover	1	1	-	Re-introduced
	JA 5412 33	Decal Magneto Cover	1	1	-	alt for JZ 5412 37

Clutch



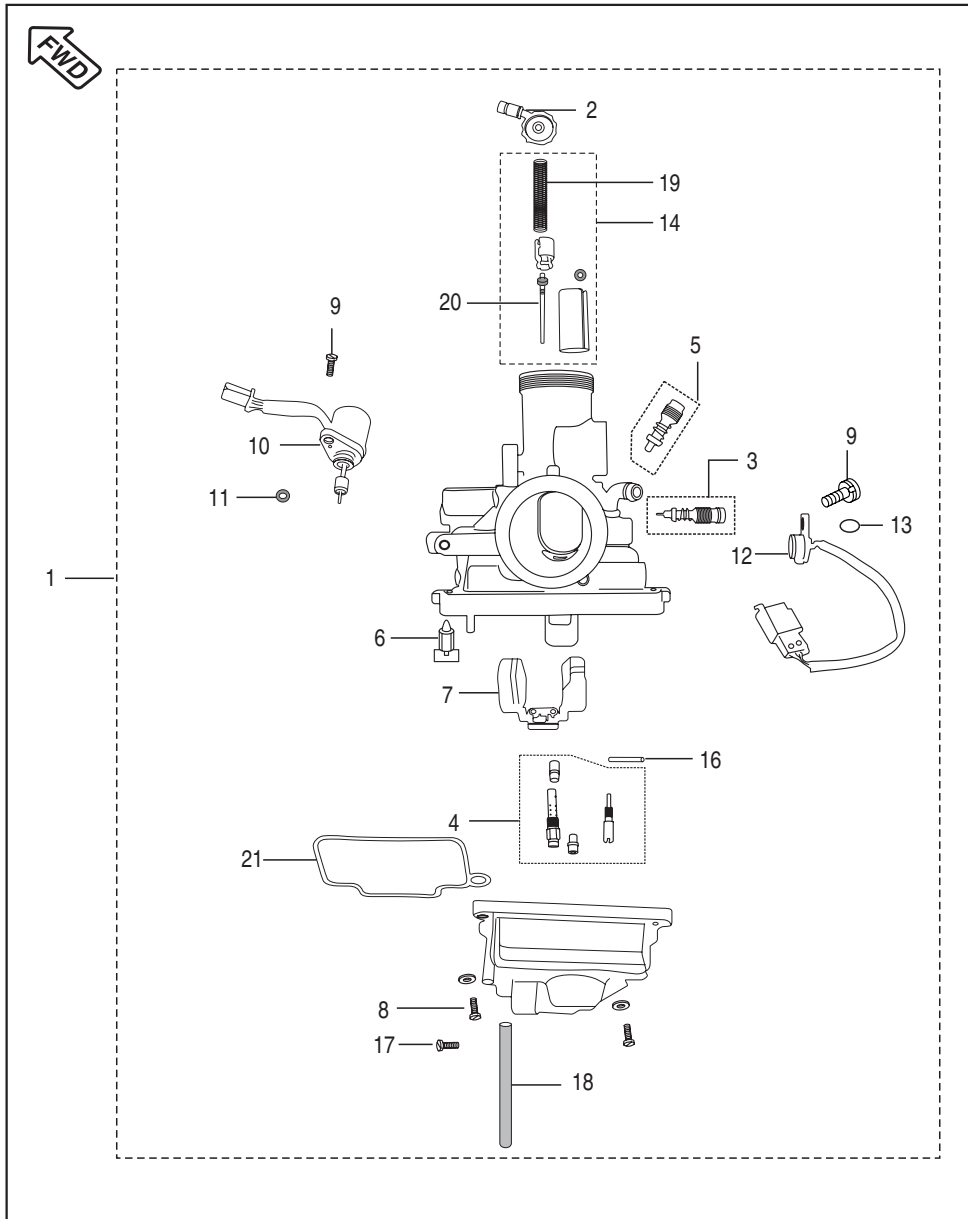
No.	Part No.	Description	DIS 125 DRUM	DIS 125 DISC	DIS 150 DISC	Remarks
1	JZ 5514 13	Clutch Complete	1	1	—	
	JZ 5514 09	Clutch Complete	---	---	1	
2	JA 5514 06	Collar Clutch	1	1	1	
3	39 2600 11	Washer	1	1	1	
4	36 JE00 05	Friction Plate Kit	--	--	1	Ref. Page No.122
	36 JZ00 37	Friction Plate	1	1	—	Ref. Page No.119
5	DP 1011 07	Wheel Clutch	--	--	1	
	JB 5514 08	Wheel Clutch	1	1	---	
6	DP 1011 11	Plate Clutch	--	--	4	N.S
	30 1010 96	Plate Clutch	4	4	---	
7	DP 1012 43	Plate Judder Spring	---	---	1	
8	JE 5514 03	Hub Clutch	--	--	1	
	JB 5514 11	Hub Clutch	1	1	---	
9	JZ 5514 12	Compression Spring	--	--	4	
	JZ 5514 15	Compression Spring	6	6	---	
10	JE 5514 05	Holder Clutch	--	--	1	4 Hole N.S
	JB 5514 06	Holder Clutch	1	1	—	6 Hole
11	39 1553 04	Bolt Flange	---	---	4	
	39 0980 04	Bolt Flange	6	6	---	
12	39 2200 11	Belleville Washer	---	---	1	
	JA 5514 16	Belleville Washer	1	1	---	
13	39 0240 11	Plain Washer	--	--	1	
	JA 5514 20	Plain Washer	1	1	---	
14	DH 1016 48	Nut Special	--	--	1	L.H. Threads
	52 JA00 28	Nut Special	1	1	--	
15	14 1510 33	Bearing Clutch Lifter	--	--	1	
	39 1001 20	Bearing Clutch Lifter	1	1	---	
16	36 JZ00 14	Set Primary Drive & Driven	--	--	1	Refer Page 118
	36 JZ00 23	Set Primary Drive & Driven	1	1	—	Refer Page 115
17	DP 1011 14	Spring Anti Judder	---	---	1	
18	JD 5514 00	Spacer Clutch Assly	1	1	1	'JD' Mark for ID



Kick Starter Mechanism

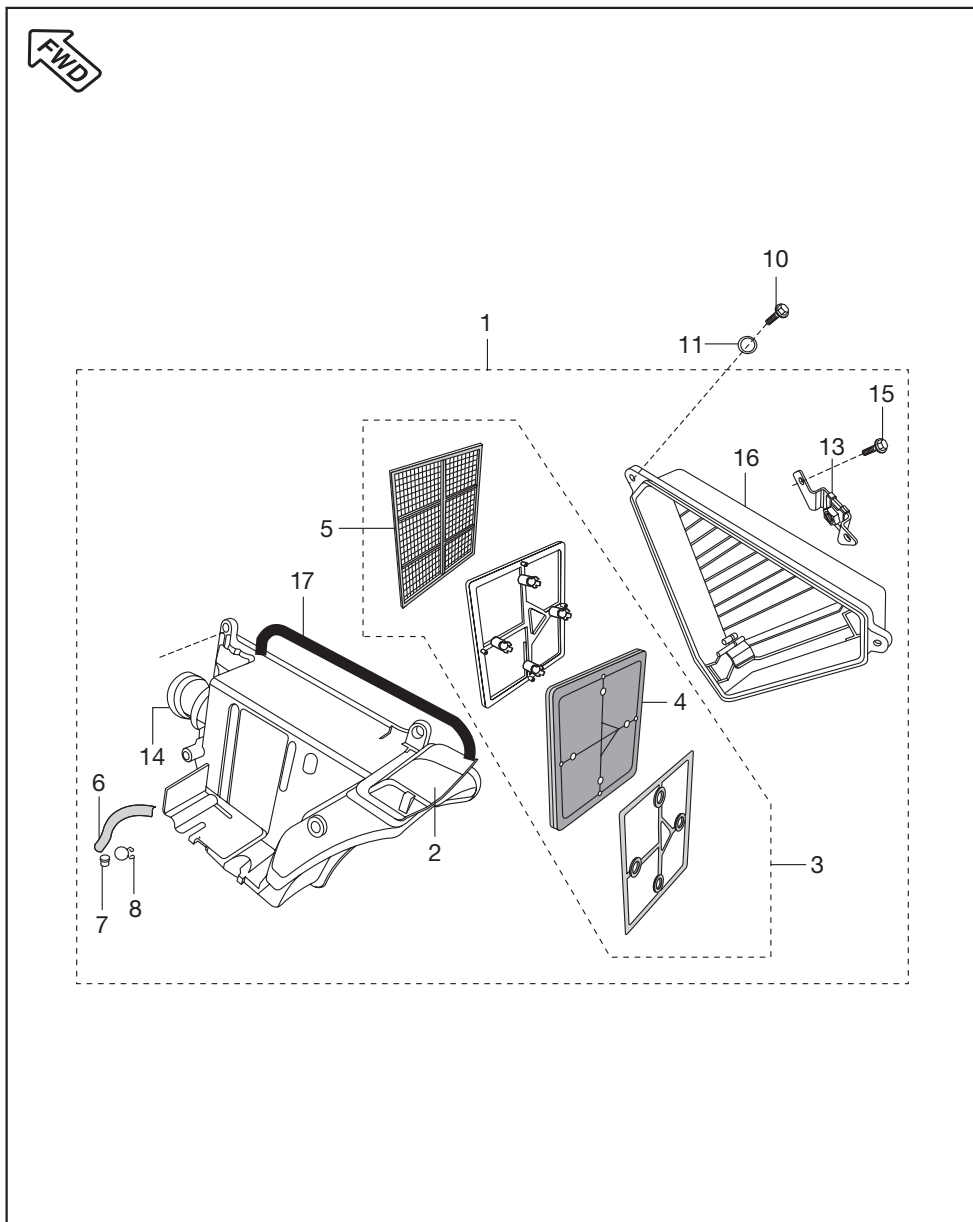
No.	Part No.	Description	DIS 125 DRUM	DIS 125 DISC	DIS 150 DISC	Remarks
1	JA 6212 01	Lever Assly Kick	1	1	1	
2	JA 6212 06	Bolt Special	1	1	1	
3	36 DU10 07	Boss Kick Set	1	1	1	
4	22 1502 41	Plain Washer	1	1	1	
5	39 0993 11	Plain Washer Small	3	3	3	
6	39 0738 17	Circlip Shaft	2	2	2	
7	JD 6210 01	Shaft Kick	1	1	1	
8	DS 1011 17	Spring Kick Starter	1	1	1	
9	JA 6210 02	Ratchet	1	1	1	
10	JZ 6210 00	Gear Spur Kick Starter	1	1	1	
11	JA 6210 06	Washer Thrust	1	1	1	
12	39 2408 17	Circlip	1	1	1	
13	DD 1010 97	Kick Rubber	1	1	1	
14	DH 1011 25	Spring Kick Starter Return	1	1	1	
	JE 5410 08	Spring Kick Starter Return	1	1	-	Re-introduced

Carburettor



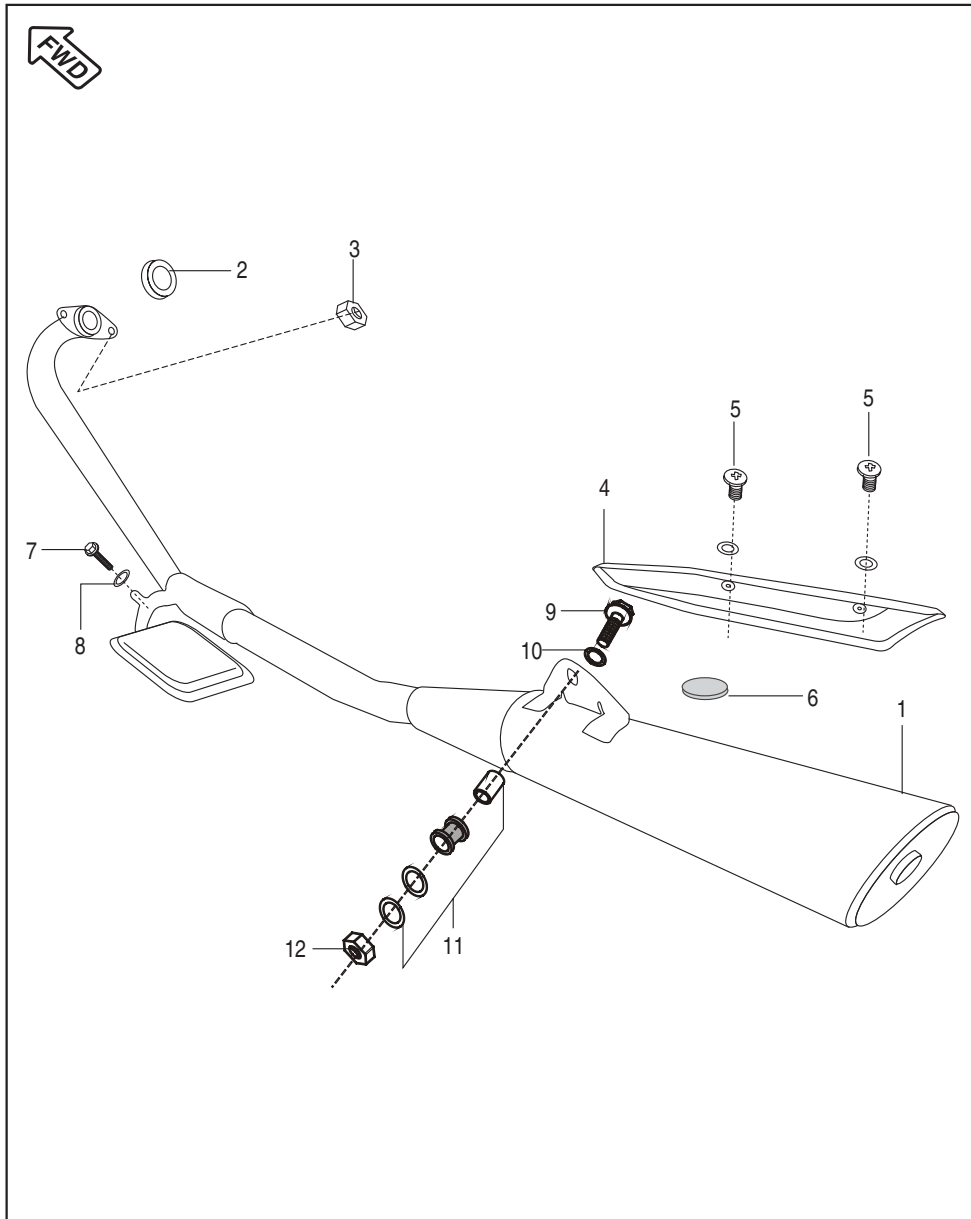
No.	Part No.	Description	DIS 125 DRUM	DIS 125 DISC	DIS 150 DISC	Remarks
1	JZ 5812 09	Carburettor Assly	--	--	1	Ref. Cir. IB-226
	JZ 5812 27	Carburettor Assly	1	1	--	
	JZ 5812 40	Carburettor Assly	1	1	--	
2	36 JZ00 20	Adjuster Throttle Cable Kit	1	1	1	
3	DH 1211 69	Pilot Screw Kit	1	1	1	
4	36 JZ00 17	Jet Kit	--	--	1	
	36 JZ00 31	Jet Kit	1	1	--	
5	36 JZ00 16	Idling Screw Kit	1	1	1	
6	JA 5812 21	Valve Complete Float	1	1	1	
7	24 1213 65	Float Complete	1	1	1	
8	CB 1210 42	Screw Washers Bowl M4x14	--	--	2	
	CB 1210 39	Screw with Spring Washer	2	2	--	
9	JA 5812 33	Screw TPS & Solenoid Choke	2	2	2	
10	JA 5812 39	Solenoid Choke Assly	1	1	1	
11	JA 5812 40	"O" Ring Solenoid Choke	1	1	1	
12	JB 5812 02	Throttle Position Sensor	1	1	1	
13	JB 5812 04	"O" Ring (TPS)	1	1	1	
14	36 JZ00 19	Throttle Valve Kit	--	--	1	
	36 JZ00 32	Throttle Valve Kit	1	1	--	
15	36 JZ00 21	Carburetor Gasket 'O' Ring	1	1	1	
16	24 1210 69	Arm Pin Float	1	1	1	
17	JA 5813 14	Drain Screw	1	1	1	
18	JZ 5812 20	Hose Drain	1	1	1	
19	JZ 5812 16	Spring	1	1	1	
20	JZ 5812 22	Jet Needle	--	--	1	
21	JA 5812 32	O Ring(FCB)	1	1	1	

Air Cleaner Complete



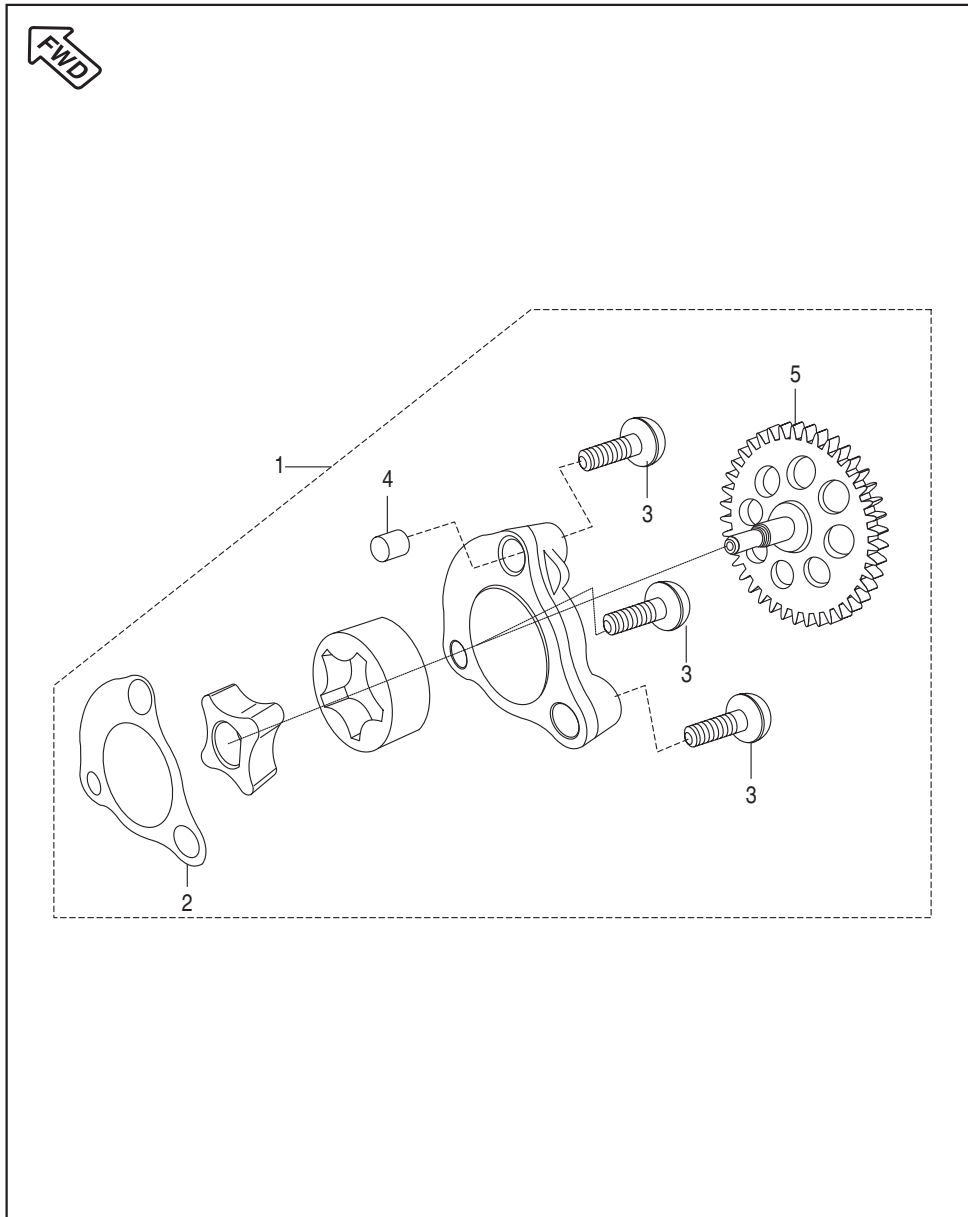
No.	Part No.	Description	DIS 125 DRUM	DIS 125 DISC	DIS 150 DISC	Remarks
1	JZ 5810 07	Air Filter Assly	1	1	1	
2	DS 1211 16	Air Filter Duct	1	1	1	Intake
3	JZ 5810 10	Assly Catridge Air filter	1	1	1	
4	JZ 5810 11	Element Air Filter	1	1	1	
5	DX 1210 11	Flame Arrester	1	1	1	
6	JZ 5810 12	Tube Drain	1	1	1	
	DS 1211 17	Tube Drain	1	1	-	Re-introduced
7	DS 1211 26	Plug	1	1	1	
8	DG 1210 02	Clamp	1	1	1	
9	JZ 5810 04	Hose Breather	1	1	1	N.I.
10	39 1797 01	Hex Head Screw	3	3	3	N.S
	39 0071 04	Hex Head Screw	3	3	-	Re-introduced
11	39 1765 11	Washer	3	3	3	
12	DH 1210 38	Clamp	1	1	1	N.I.
13	DS 1610 69	Bracket Side Cover Mtg.	1	1	1	
14	JZ 5810 06	Connecting Tube	1	1	1	
15	39 1779 02	Self Tapping Screw	2	2	2	
16	JZ 5810 09	Filter Air Cover	1	1	1	
17	JZ 5810 29	'O' Ring	--	--	1	
	JZ 5810 29	'O' Ring	1	1	1	
18	39 1673 04	Flange Bolt	2	2	2	
19	39 1677 04	Flange Bolt	1	1	1	For Filter Mtg

Silencer Assembly

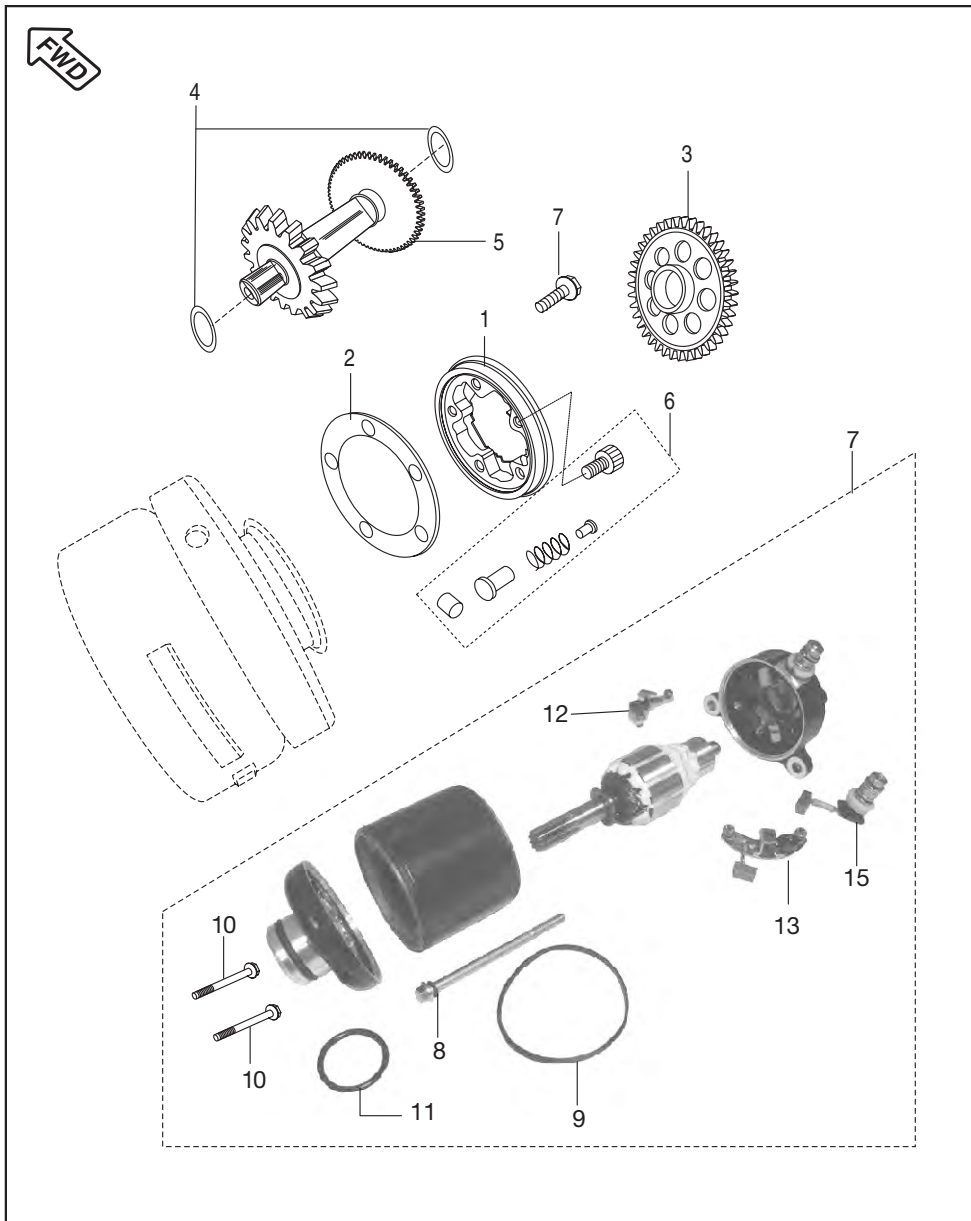


No.	Part No.	Description	DIS 125 DRUM	DIS 125 DISC	DIS 150 DISC	Remarks
1	36 JZ00 12	Silencer Assly without Shield	--	---	1	
	36 JZ00 30	Silencer Assly without Shield	1	1	---	
2	CB 1011 14	Gasket Exhaust Mounting	1	1	1	
	JE 5910 02	Gasket Exhaust Mounting	1	1	--	Re-introduced
3	39 2295 15	Flange Nut	2	2	2	
4	JZ 5910 43	Shield Silencer	1	1	1	
5	JW 5910 28	Truss Screw	2	2	2	
6	JB 5910 59	Grommet Shield	2	2	2	
7	39 2754 04	Bolt Hex with Flange M5	1	1	1	
8	39 2492 11	Plain Washer	1	1	1	
9	39 2722 04	Bolt M10 x 1.25	1	1	1	
10	JB 1130 05	Washer	2	2	2	
11	36 DK00 09	Hardware Kit	1	1	1	
12	DD 1610 71	U Nut M10 x 1.25	1	1	1	

Oil Pump



No.	Part No.	Description	DIS 125 DRUM	DIS 125 DISC	DIS 150 DISC	Remarks
1	JZ 5710 00	Oil Pump Assly	1	1	1	
2	JA 5410 16	Gasket Case Oil Pump	1	1	1	
3	39 0753 01	Pan Head Screw	3	3	3	
	FD 1010 78	Pan Head Screw	3	3	-	Re-introduced
4	39 0999 06	Dowel	2	2	2	
5	JZ 5710 01	Gear Driven + Shaft	1	1	1	

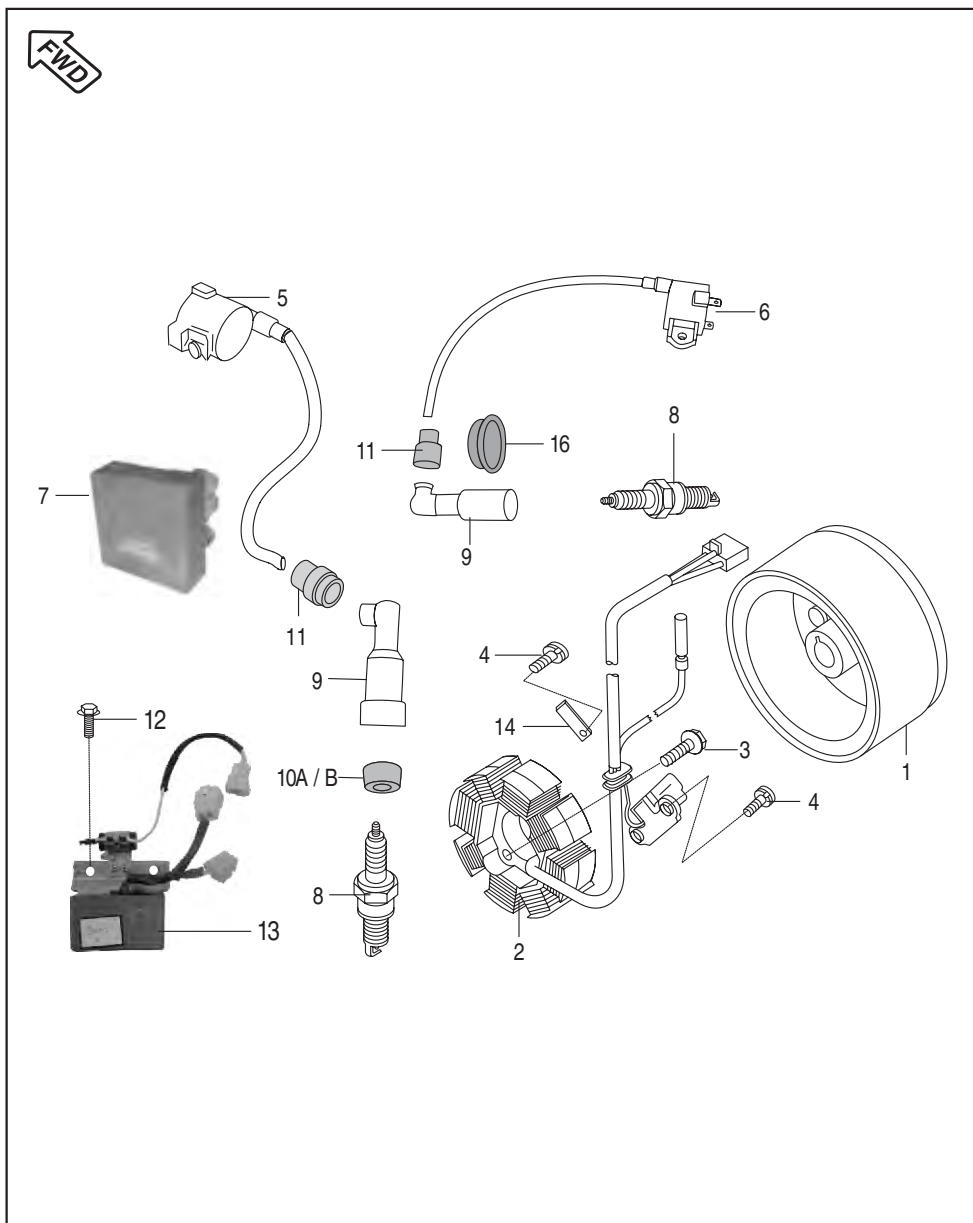


 Front Wheel Direction

Starter Assembly

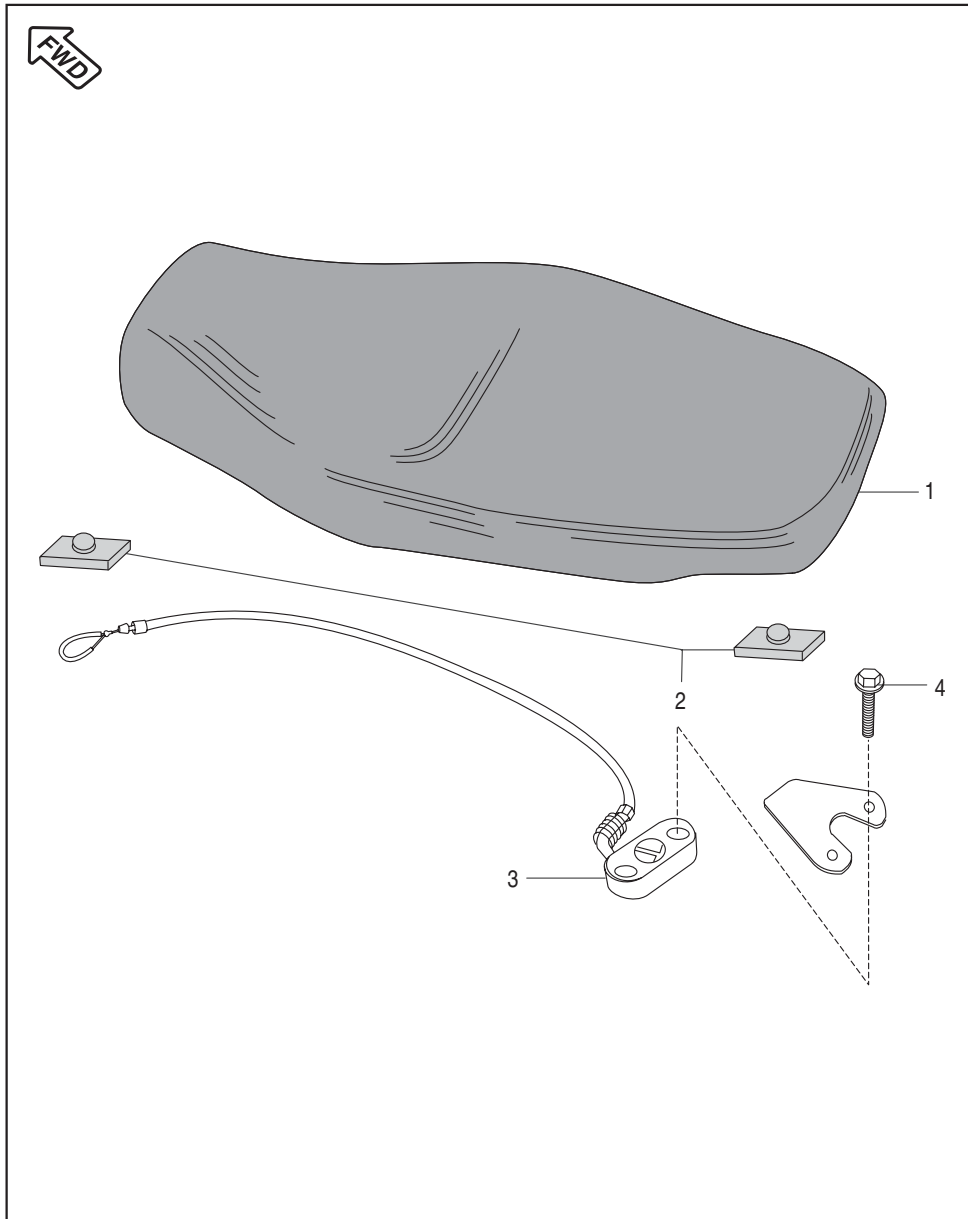
No.	Part No.	Description	DIS 125 DRUM	DIS 125 DISC	DIS 150 DISC	Remarks
1	JA 6214 14	Body Complete Starter Clutch	1	1	1	
2	DH 1017 81	Plate Roller Clutch	1	1	1	
3	JA 6214 10	Gear Starter Clutch	1	1	1	
4	JA 6214 02	Washer	2	2	2	
5	JA 6214 06	Drive Assly	1	1	1	
6	36 JZ00 08	Starter Clutch Repair Kit	1	1	1	
7	JA 3516 00	Motor Assly	1	1	1	
	JV 3516 00	Motor Assly	1	1	-	Re-introduced
8	JA 3516 24	Brush Spring (Lucas-TVS)	1	1	1	N.I.
9	JA 3516 06	Sealing Ring (Flash)	1	1	1	
	JA 3516 26	Sealing Ring (Lucas-TVS)	1	1	1	
10	LA D000 11	Hange Bolt	2	2	2	Motor Mounting
	39 1673 04	Flange Bolt	2	2	-	Re-introduced
11	JA 3516 02	'O' Ring for Spigot (Flash)	1	1	1	
	JA 3516 27	'O' Ring for Spigot (Lucas-TVS)	1	1	1	
12	JA 3516 08	+ve Brush Holder Assly (Flash)	1	1	1	
13	JA 3516 09	-ve Brush Holder Assly (Flash)	1	1	1	
14	JA 3516 18	Brush & Earth Plate Assly	1	1	1	N.I. (Lucas-TVS)
15	JA 3516 19	Terminal Assly (Lucas-TVS)	1	1	1	

Magneto, CDI & H.T. Coil

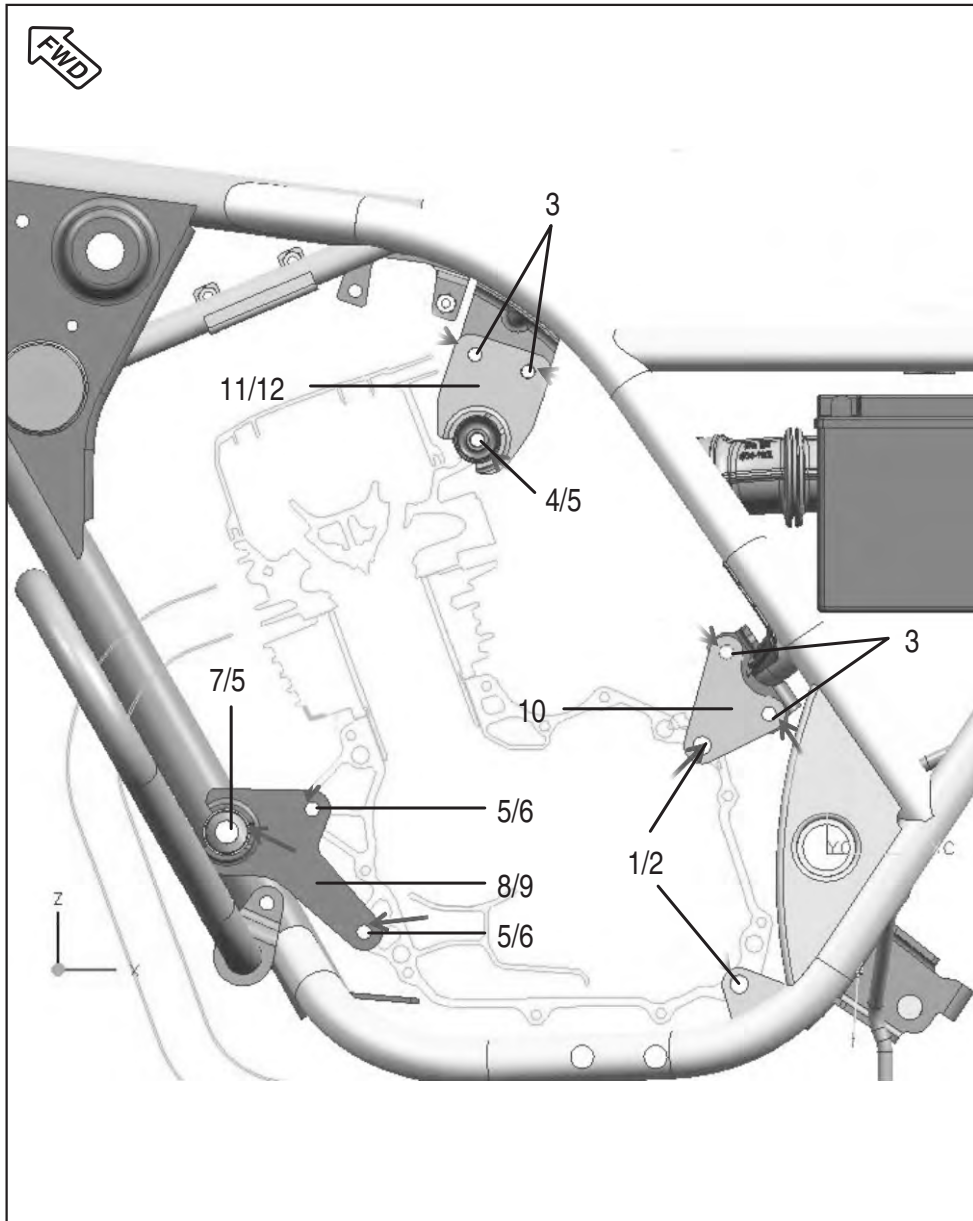


No.	Part No.	Description	DIS 125 DRUM	DIS 125 DISC	DIS 150 DISC	Remarks
1	JE 3510 02	Rotor Assly	---	---	1	
	JZ 3510 01	Rotor Assly	1	1	---	
2	JP 3510 07	Stater Assly Complete	1	1	1	
3	39 1674 04	Bolt Flange	2	2	2	
4	39 0746 01	Pan Head Screw	--	--	3	For Lock Plate &
5	JE 3512 03	H. T. Coil LH	--	--	1	
	PA 3512 01	H. T. Coil LH	1	1	---	
6	JE 3512 04	H. T. Coil RH	--	--	1	
	PA 3512 02	H. T. Coil RH	1	1	---	
7	JZ 3512 05	C.D.I. Assly	--	--	1	Red Colour
	JZ 3512 06	C.D.I. Assly	1	1	-	
	JZ 3512 14	C.D.I. Assly	1	1	-	Ref. Cir. IB-226
8	DD 1110 18	Spark Plug PRZ9 HC	2	2	2	
9	DD 1110 48	Spark Plug Cap LH	1	1	1	
	DH 1110 15	Spark Plug Cap RH	1	1	1	
10A	DD 1110 11	Grommet Spark Plug Cap LH	1	1	1	
10B	DH 1110 13	Grommet Spark - Plug Cap RH	1	1	1	
11	DD 1110 12	Grommet for HT Cable	2	2	2	
12	39 1943 04	Bolt Flange	2	2	2	
13	JK 4020 00	DC Regulator With Capacitor	1	1	1	
14	JA 5410 28	Lock Plate	1	1	1	
15	59 0400 14	Bolt Flange (N.I.)	4	4	4	For HT Coil Mtg
16	JD 3512 06	Grommet Sleeve Spark Plug	1	1	1	

Seat Assembly / Seat Lock



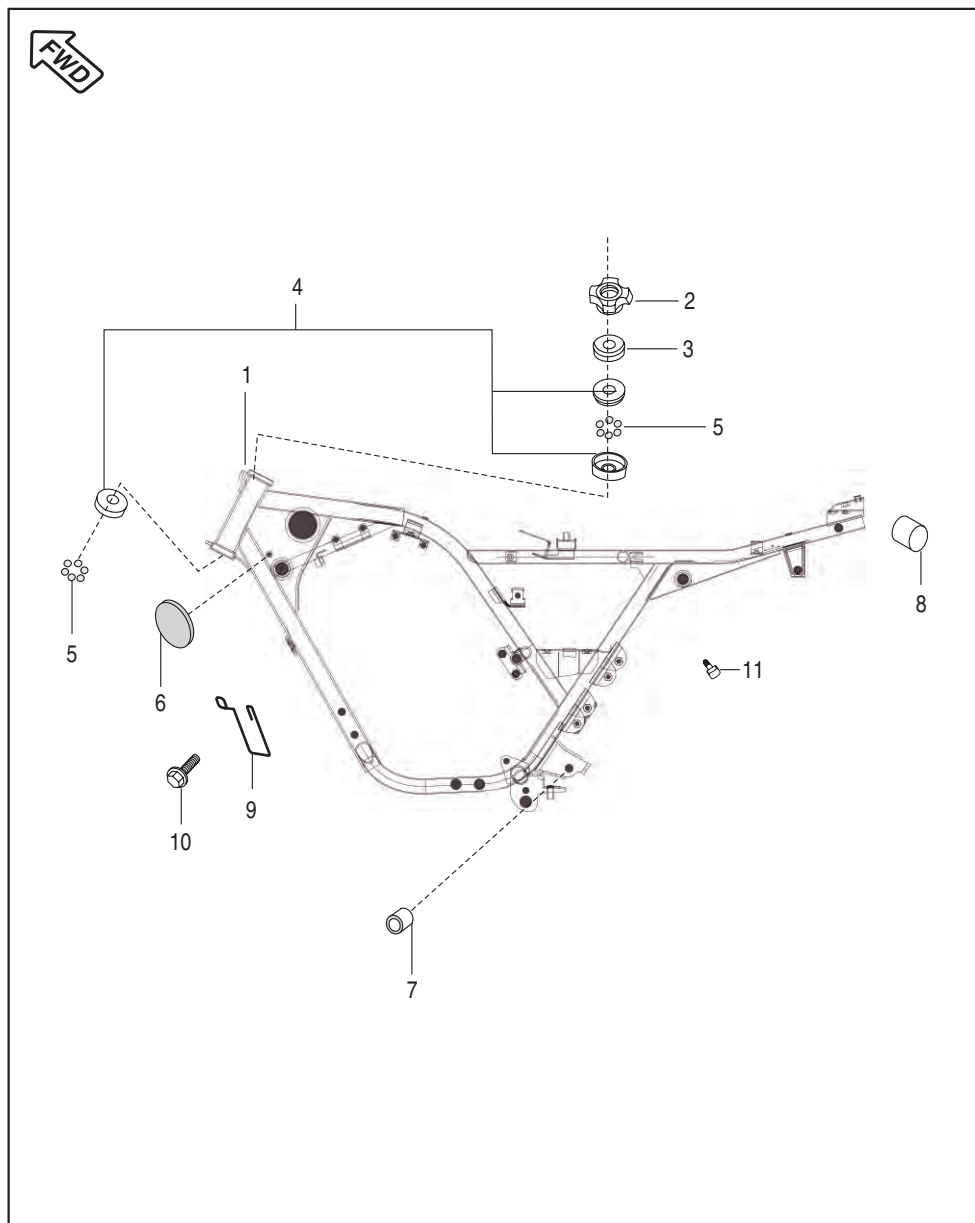
No.	Part No.	Description	DIS 125 DRUM	DIS 125 DISC	DIS 150 DISC	Remarks
1	JN 1910 00	Seat Assly Comp	--	--	1	Up to 10.03.2011
	JZ 1910 06	Seat Assly Comp	1	1	1	
2	36 DS21 01	Seat Damper Kit	1	1	1	
3	DS 2110 06	Lock Assly Seat	1	1	1	
4	39 1902 04	Flanged Bolt	2	2	2	



Engine Mountings

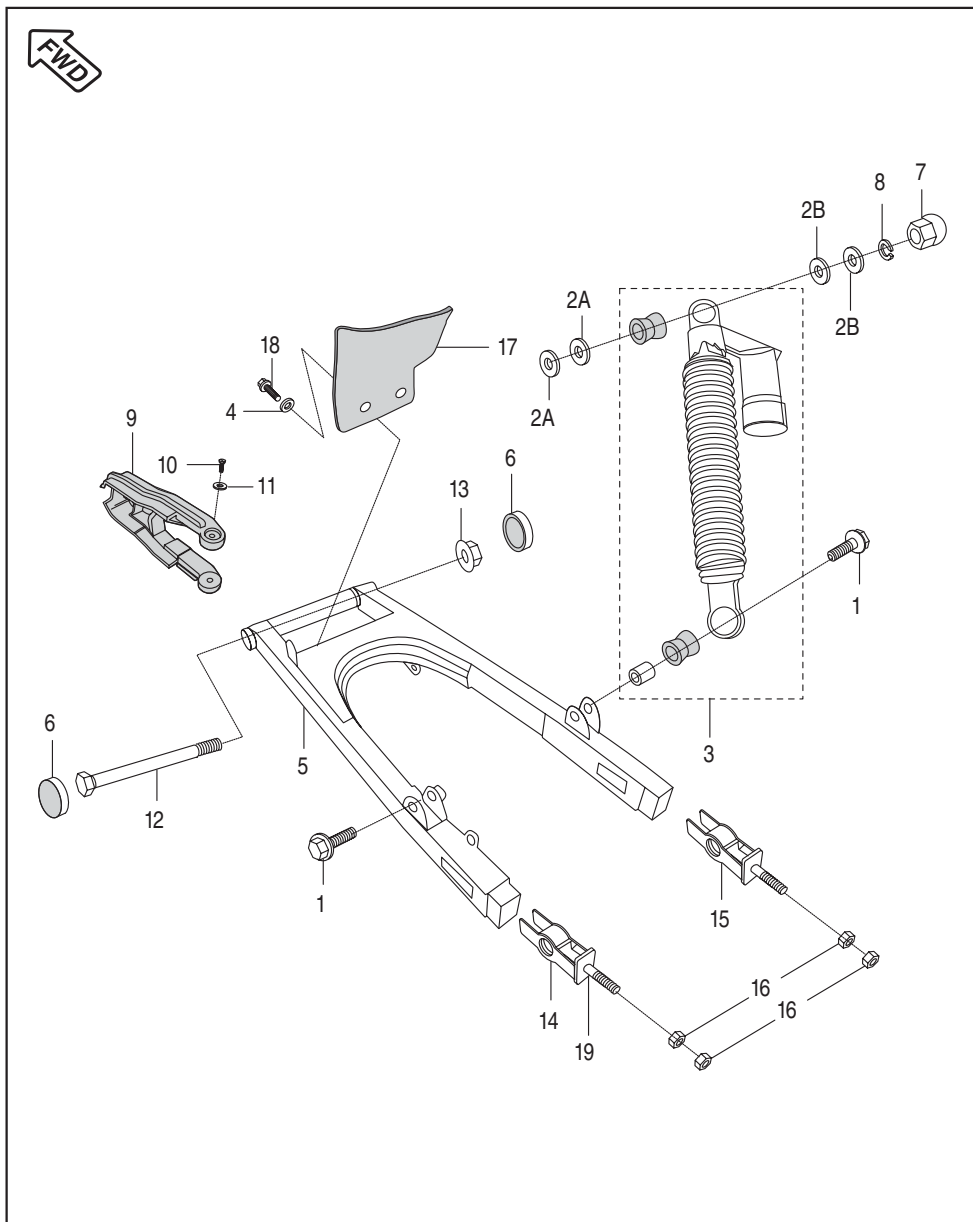
No.	Part No.	Description	DIS 125 DRUM	DIS 125 DISC	DIS 150 DISC	Remarks
1	JA 1134 03	Flange Bolt M10 x 110	2	2	2	
2	39 2723 15	Flanged Nut	2	2	2	
3	39 1556 04	Bolt Flanged	8	8	8	
4	LA D000 52	Bolt Flange	1	1	1	
5	39 1970 15	Nut Flanged	4	4	4	
6	JA 1134 02	Bolt Flanged	2	2	2	
7	LA D000 41	Bolt Flanged	1	1	1	
8	JZ 1134 00	BKT Comp LH Engine Front	1	1	1	
9	JZ 1134 03	BKT Comp RH Engine Front	1	1	1	
10	JZ 1134 02	Engine Mtg. BKT Rear Top	2	2	2	
11	JZ 1134 05	Bracket Comp LH Top	1	1	1	
12	JZ 1134 07	Bracket Comp RH Top	1	1	1	

Frame and Frame Fittings



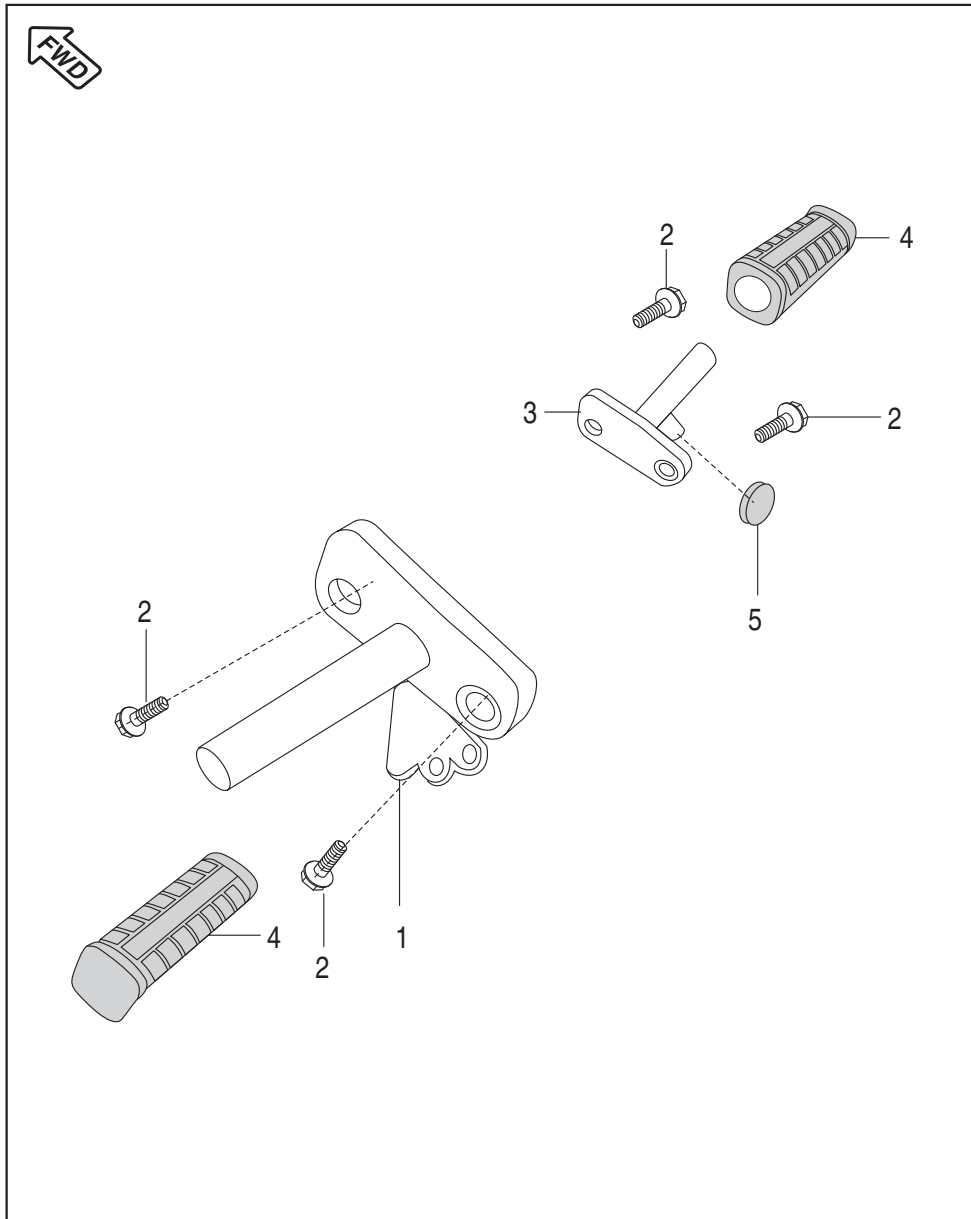
No.	Part No.	Description	DIS 125 DRUM	DIS 125 DISC	DIS 150 DISC	Remarks
1	JZ 1110 29	Frame Assly Complete	1	1	1	
	JZ 1113 10	Frame Assly Complete	1	1	-	Re-introduced
2	DS 1810 18	Nut Fork	1	1	1	
3	DH 1810 14	Cup - Steering	1	1	1	
4	36 DS18 02	Bearing Cone Kit	1	1	1	
5	36 3140 02	Ball Steel Kit	1	1	1	
6	PA 4010 00	Side Reflector	2	2	2	NA Re-introduced
7	DP 1710 06	Silent Bush	2	2	2	
8	DP 1612 60	End Cap	2	2	2	
9	PA 1138 00	Hook Clutch Cable	1	1	1	
10	39 2060 04	Bolt M5	1	1	1	
11	59 0400 34	Bolt D Head M6	1	1	1	

Swing Arm / Rear Shock Absorber

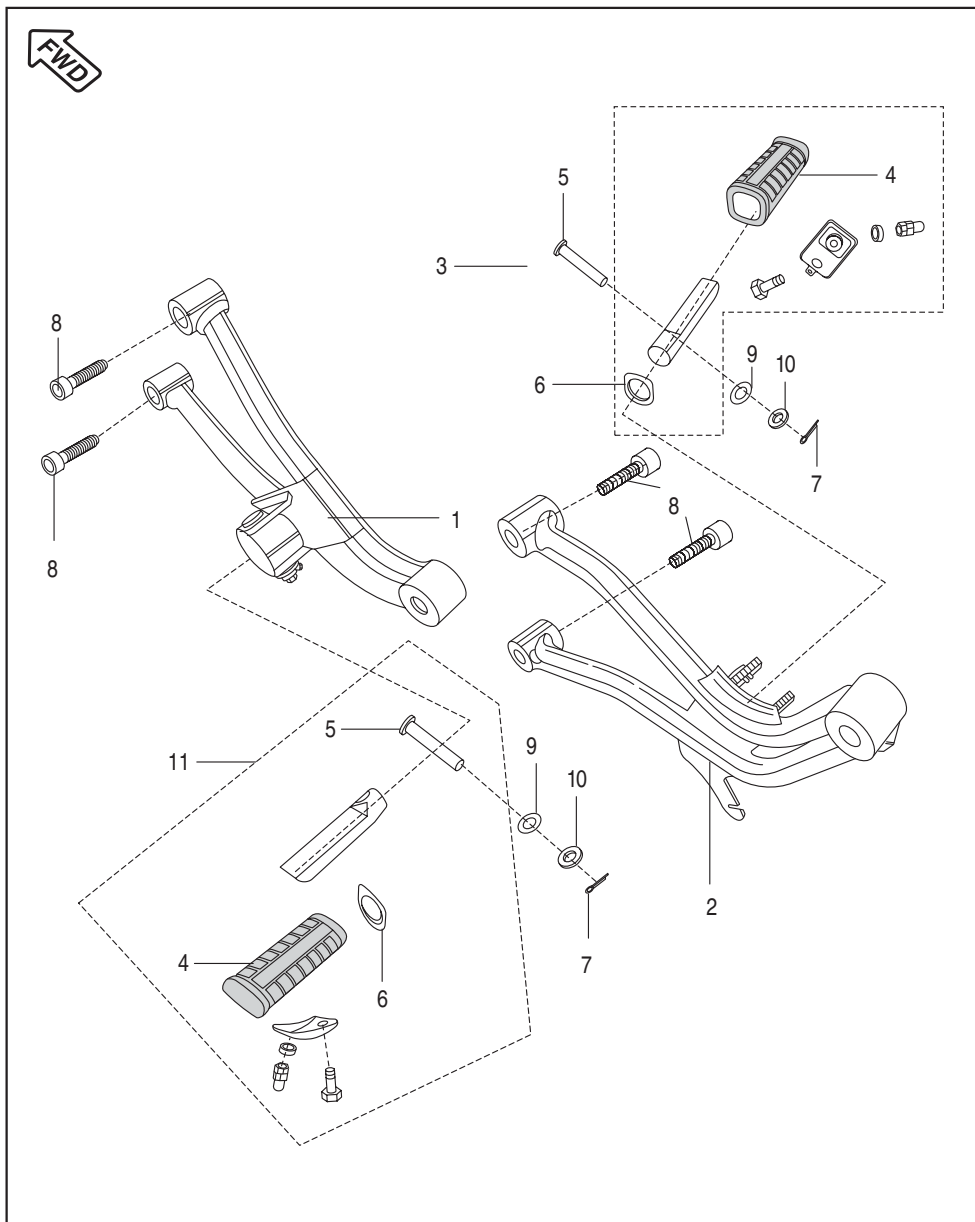


No.	Part No.	Description	DIS 125 DRUM	DIS 125 DISC	DIS 150 DISC	Remarks
1	JB 1220 16	Hex Bolt / Flange - M10	2	2	2	For RSA
2A	JB 1220 11	Plain Washer	4	4	4	For RSA
2B	JB 1220 10	Plain Washer	4	4	4	
3	JN 1220 00	Rear Shock Absorber	2	2	2	
4	39 0258 11	Plain Washer	2	2	2	For Mud Flap
5	JN 1220 06	Swing Arm Assly	1	1	1	
6	DS 1710 15	Cap Swing Arm	2	2	2	
7	JB 1220 09	Domed Cap Nut	2	2	2	
8	39 2726 12	Spring Washer	2	2	2	
9	DS 1710 07	Chain Slider	1	1	1	
10	39 0553 02	Screw	2	2	2	For Chain Sider
11	39 0454 11	Plain Washer	2	2	2	For Chain Sider
12	DS 1710 13	Shaft Swing Arm	1	1	1	
13	39 1358 15	Flanged Nut	1	1	1	
14	DJ 1510 36	Adjuster Chain LH	1	1	1	
15	DJ 1510 37	Adjuster Chain RH	1	1	1	
16	39 0292 15	Hexagon Nut	4	4	4	
17	DS 1710 14	Mud Flap	1	1	1	
18	39 2060 04	Flange Bolt	2	2	2	For Mud Flap
19	DJ 1510 47	Plate Chain Adjuster	2	2	2	
20	DJ 1710 34	Nitrox Chamber Screw Assly	1	1	1	N.I.
21	DP 1710 06	Bushing Rubber	2	2	2	N.I.

Rider Foot Rest



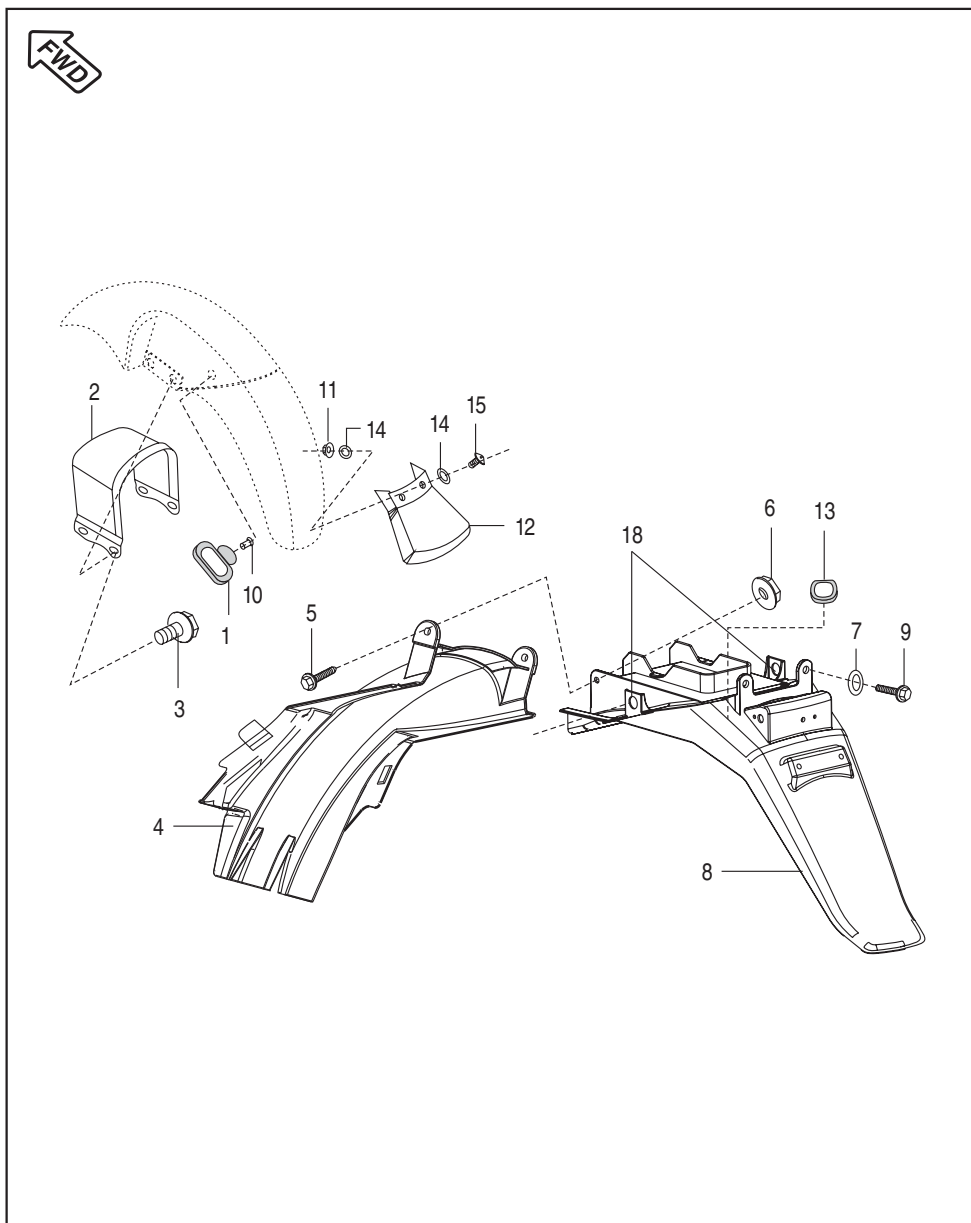
No.	Part No.	Description	DIS 125 DRUM	DIS 125 DISC	DIS 150 DISC	Remarks
1	JZ 1130 01	Main Step LH	1	1	1	
2	39 2310 04	Flange Bolt	4	4	4	
	LA D001 26	Flange Bolt	4	4	-	Re-introduced
3	JZ 1130 11	Main Step RH	1	1	1	
4	DF 1614 13	Rubber Main Step	2	2	2	
5	DH 1611 94	Damper	1	1	1	For Kick stopper



Pillion Foot Rest / Holder

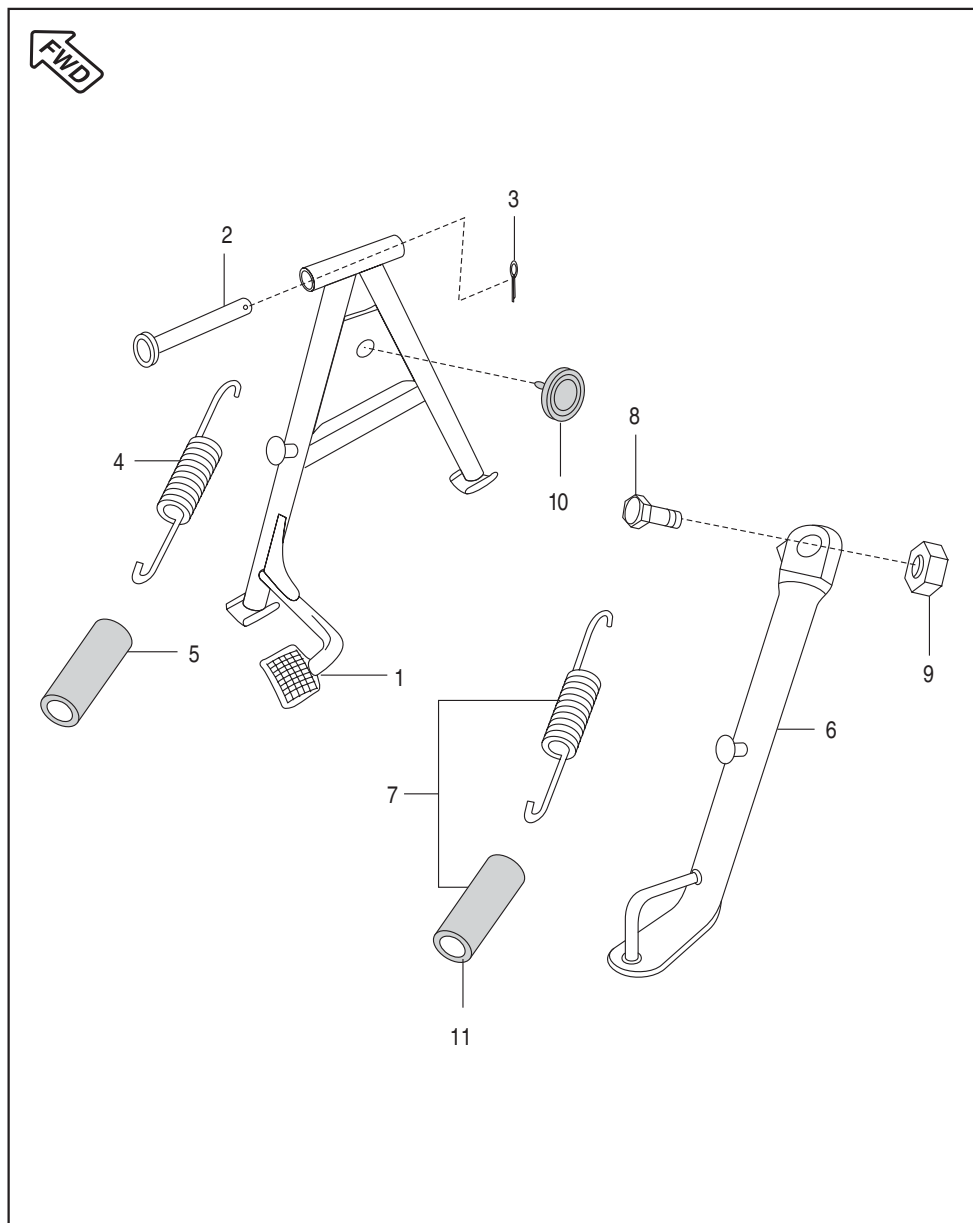
No.	Part No.	Description	DIS 125 DRUM	DIS 125 DISC	DIS 150 DISC	Remarks
1	JZ 1130 15	Holder LH Step	1	1	1	
2	JZ 1130 17	Holder RH Step	1	1	1	
3	DJ 1611 29	Step Assembly RH	1	1	1	
4	DJ 1611 22	Rubber Pillion Step	2	2	2	
5	DD 1613 81	Pin Pillion Step	2	2	2	
6	DH 1611 00	Spacer	2	2	2	For Rear Footrest
7	39 0784 08	Split Pin	2	2	2	
8	39 2722 04	Soc. Head Bolt	4	4	4	
9	30 1410 31	'O' Ring	2	2	2	
10	39 1040 11	Washer Plain	2	2	2	
11	DJ 1611 28	Step Assembly LH	1	1	1	

Mudguard - Front & Rear



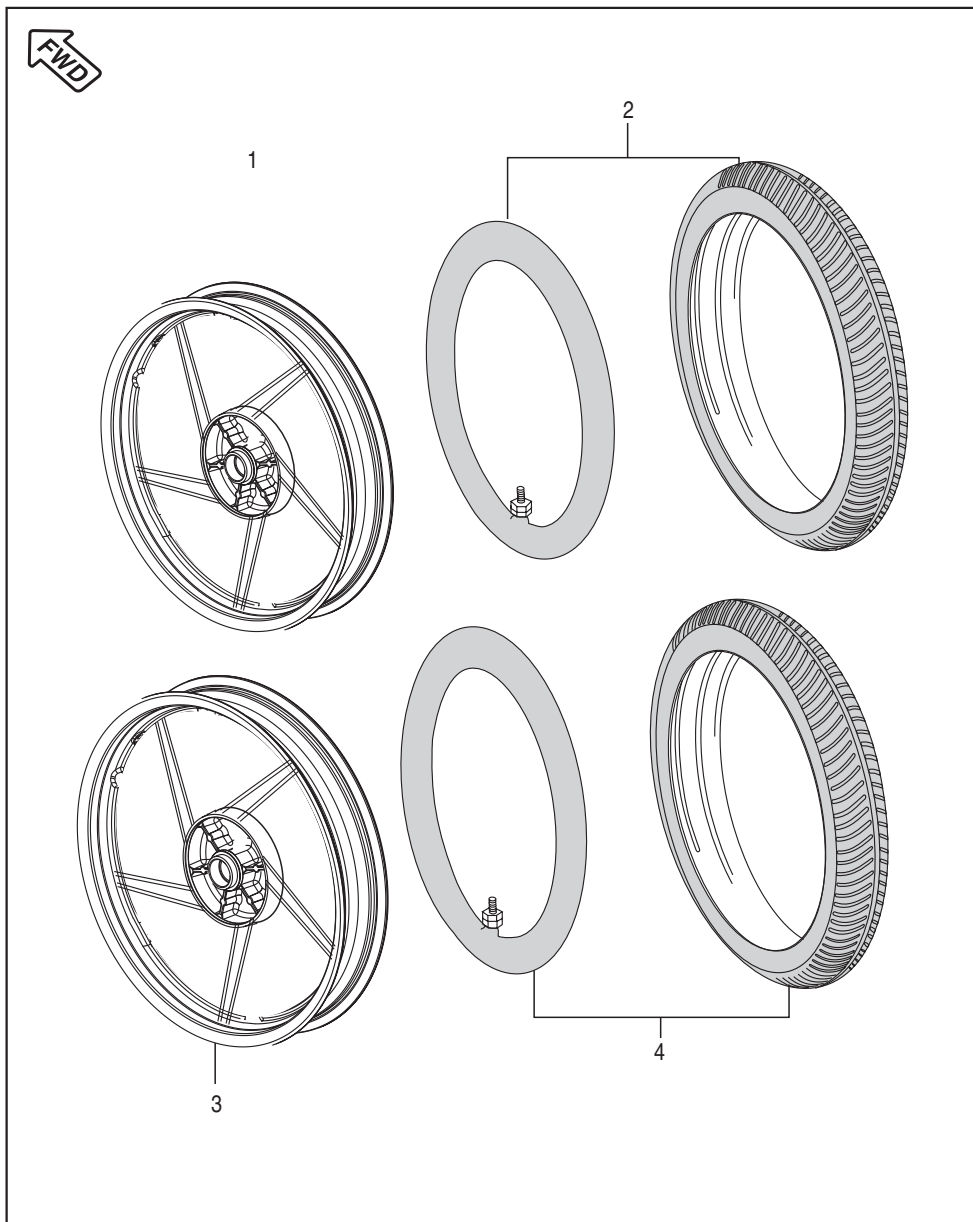
No.	Part No.	Description	DIS 125 DRUM	DIS 125 DISC	DIS 150 DISC	Remarks
1	DS 1611 25	Cable Guide	1	1	1	
2	JB 1814 21	Brace Fender	--	1	1	
	JB 1814 16	Brace Fender	1	--	--	
3	39 1075 04	Flange Bolt	4	4	4	
4	JZ 1814 02	Fender Rear Front	1	1	1	
5	DS1612 87	Flange Bolt	2	2	2	
6	39 0798 15	Flange Nut	2	2	2	
7	39 0211 11	Plain Washer	2	2	2	
8	JZ 1814 01	Fender Rear	1	1	1	
9	39 1943 04	Flange Bolt	2	2	2	
10	DJ 1610 69	Nail for Cable Guide	1	1	1	
11	39 0326 15	Nyloc Nut	3	3	3	
12	JB 1814 03	Flap Front Fender	1	1	1	
13	JZ 1814 06	Grommet Saree Guard	1	1	1	
14	39 0242 11	Washer	6	6	6	
15	39 1698 01	Screw	3	3	3	

Stand Assembly



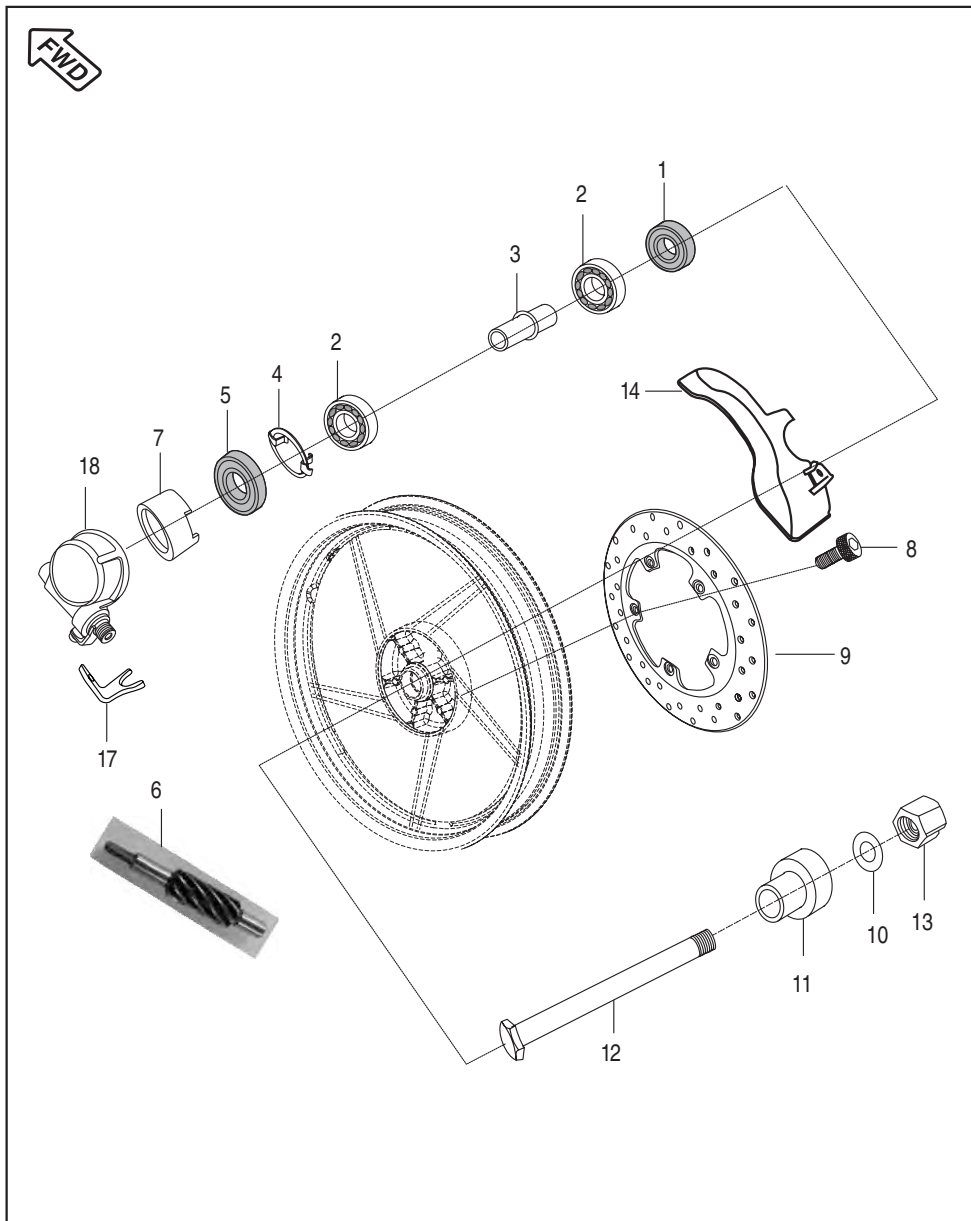
No.	Part No.	Description	DIS 125 DRUM	DIS 125 DISC	DIS 150 DISC	Remarks
1	DS 1611 13	Center Stand	1	1	1	
2	DS 1611 12	Shaft Stand	1	1	1	
3	39 0797 08	Pin Cotter	1	1	1	
4	DH 1611 21	Spring Main Stand	1	1	1	
5	DH 1611 45	Cover Spring Main Stand	1	1	1	
6	DS 1610 77	Stand Side	1	1	1	
7	DH 1612 40	Spring Side Stand with Cover	1	1	1	
8	DF 1611 02	Bolt	1	1	1	
9	39 0422 15	Nut	1	1	1	
10	JN 1132 00	Damper Main Stand	1	1	1	
11	DH 1611 46	Cover Side Stand Spring	1	1	1	

Tube / Tyre / Rim



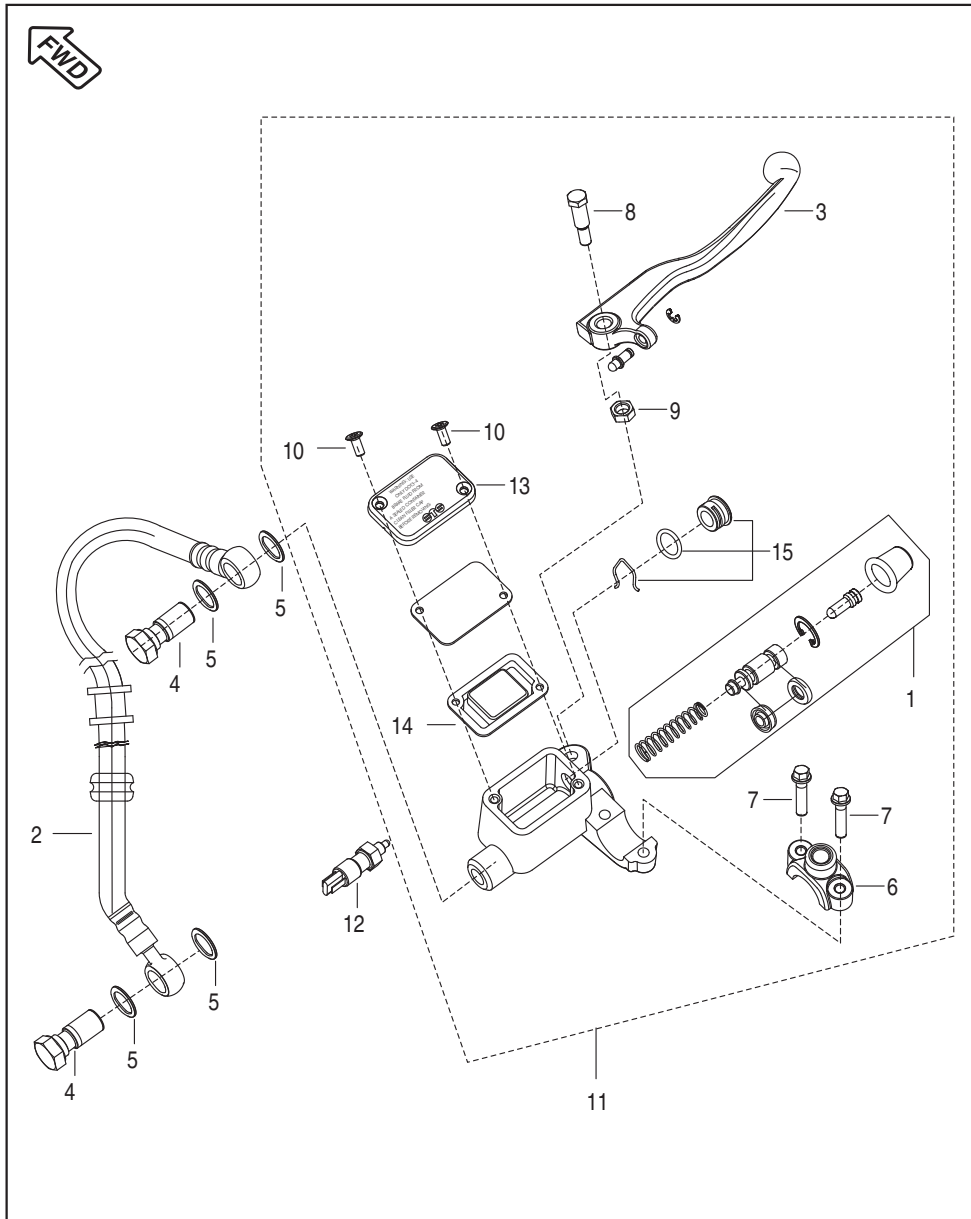
No.	Part No.	Description	DIS 125 DRUM	DIS 125 DISC	DIS 150 DISC	Remarks	
1	JZ 1310 12	Wheel Rim Front	--	--	1	w.e.f. Jan 2013	
	JZ 1310 14	Wheel Rim Front	--	1	--		
	JZ 1310 11	Wheel Rim Front	1	--	--		
	JZ 1310 41	Wheel Rim Front	--	1	--		Re-introduced
	PA 1310 21	Wheel Rim Front	--	1	--		Ref. Cir. IB- 254
	JZ 1310 42	Wheel Rim Front	1	--	--		Re-introduced
	PA 1310 19	Wheel Rim Front	1	--	--		Ref. Cir. IB- 254
	DS 1510 47	Tyre with Tube Front	1	1	1		
3	JZ 1312 06	Wheel Rim Rear	--	--	1	Re-introduced	
	JZ 1312 13	Wheel Rim Rear	1	1	--		
	JZ 1312 65	Wheel Rim Rear	1	--	--		
	PA 1312 41	Wheel Rim Rear	1	--	--		Ref. Cir. IB- 254
	PF 1312 22	Wheel Rim Rear	--	1	--		Re-introduced
	PA 1312 74	Wheel Rim Rear	--	1	--		Ref. Cir. IB- 254
4	DS 1510 30	Tyre with Tube Rear	--	--	1		
	DS 1510 51	Tyre with Tube Rear	1	1	--		

Front Hub (Disc Brake)



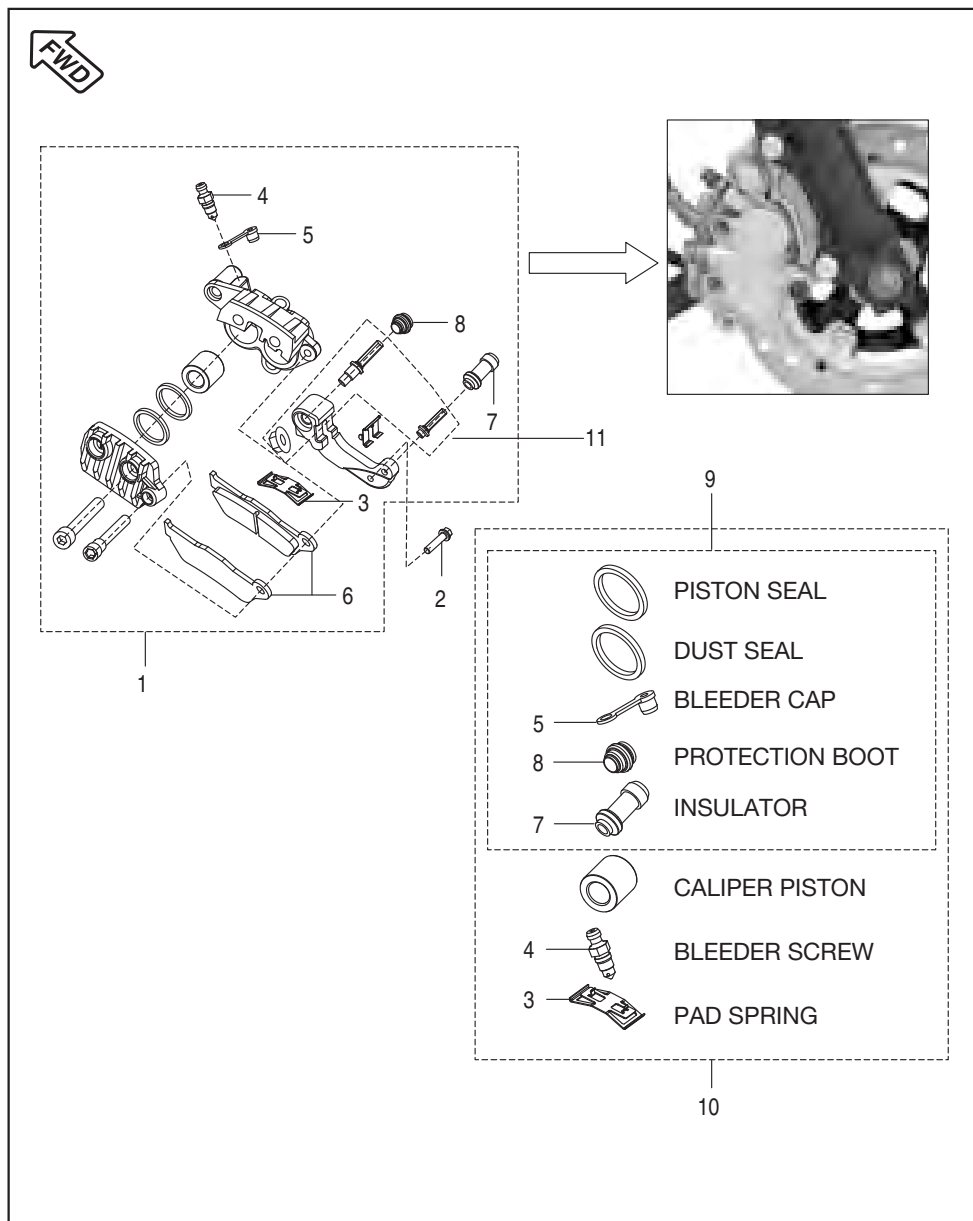
No.	Part No.	Description	DIS 125 DRUM	DIS 125 DISC	DIS 150 DISC	Remarks
1	30 1510 33	Seal Oil	--	1	1	
2	39 2688 20	Bearing Ball	--	2	2	
3	DE 1510 06	Spacer Assly	--	1	1	
4	DE 1510 12	Plate Drive	--	1	1	
5	DE 1510 08	Seal Oil	--	1	1	
6	30 1510 41	Meter Gear	--	1	1	
7	DS 1510 38	Speedo Gear	--	1	1	
8	JD 1318 11	Hex. Soc. Head Bolt	---	---	5	
	LA C000 02	Hex. Soc. Head Bolt	--	1	---	
9	JD 1318 10	Disc (240 mm Dia)	---	---	1	
	JW 1318 06	Disc (200 mm Dia)	--	1	---	
10	JB 1310 18	Plain Washer	--	1	1	
11	DS 1510 58	Spacer	--	1	1	
12	JB 1310 17	Axle	--	1	1	
13	59 1500 03	'U' Nut	--	1	1	
14	JN 1812 06	Cover Disc	---	---	1	
	JW 1812 41	Cover Disc	--	1	---	
15	JN 1812 11	Clip Nut (Cover Disc Mtg)	--	1	1	N.I.
16	LB U000 06	Truss Screw (Cover Disc Mtg)	--	--	1	N.I.
	LB U000 05	Truss Screw (Cover Disc Mtg)	--	1	--	N.I.
17	36 DU15 04	Front Hub Bushing Kit	--	1	1	
18	DJ 151057	Case Meter Assly	--	--	1	Up to 30.11.2010
	JZ 1316 01	Case Meter Assly- Screw Mtg	--	1	1	
	JZ 1316 11	Case Meter Assly- Screw Mtg	--	1	--	Re-introduced
19	LB U000 04	Step Bolt	--	1	1	Cover Disc Mtg N.I.

Front Master Cylinder



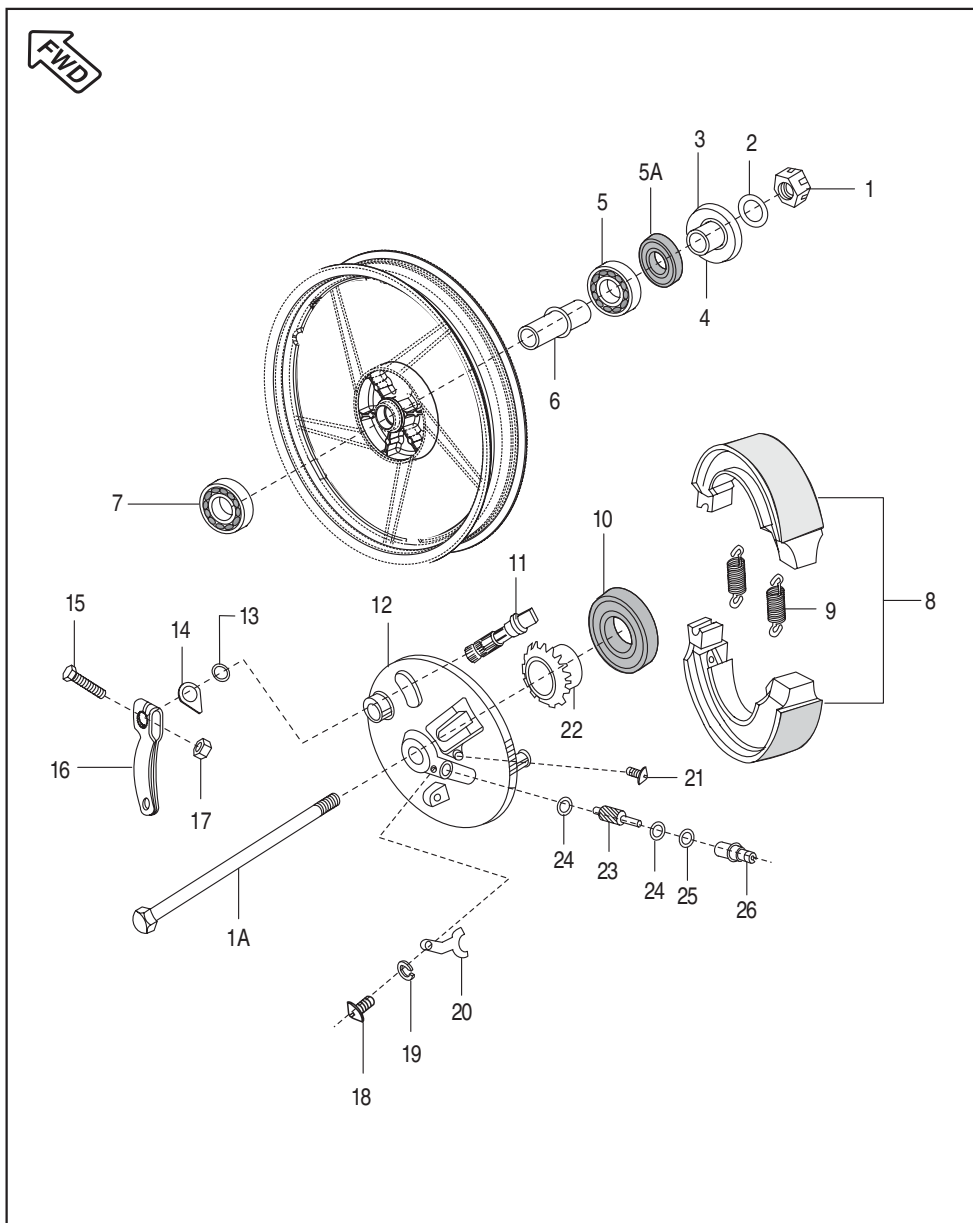
No.	Part No.	Description	DIS 125 DRUM	DIS 125 DISC	DIS 150 DISC	Remarks
1	DJ 1910 23	Major Kit - Master Cylinder	--	1	1	
2	JN 1318 00	Hose Brake Front	--	---	1	
	JW 1318 05	Hose Brake Front	--	1	---	
3	DD 1911 42	Lever Grip RH	--	1	1	
4	DK 1015 69	Banjo Bolt	--	2	2	
5	DE 1910 10	Washer Copper	--	4	4	
6	DE 1910 33	Clamp Holder RH	--	1	1	
7	DE 1910 34	Bolt	--	2	2	
8	DE 1910 31	Bolt Front Brake Lever	--	1	1	
9	DE 1910 32	Nut Flanged	--	1	1	
10	DE 1910 30	Screw	--	2	2	
11	DE 1510 15	Cylinder Master with Lever	--	1	1	
12	DJ 2011 00	Front Brake Switch	--	1	1	
13	DE 1910 29	Reservoir Cover	--	1	1	
14	DE 1910 28	Diaphragm	--	1	1	
15	DE 1910 36	'O' Ring Master Cylinder Kit	--	1	1	
16	DJ 2011 08	Cable Assly for Switch	--	1	1	N.I.
17	JN 1318 04	Clamp Hose Pipe - Upper	--	1	1	N.I.

Front Disc Brake Caliper Assly



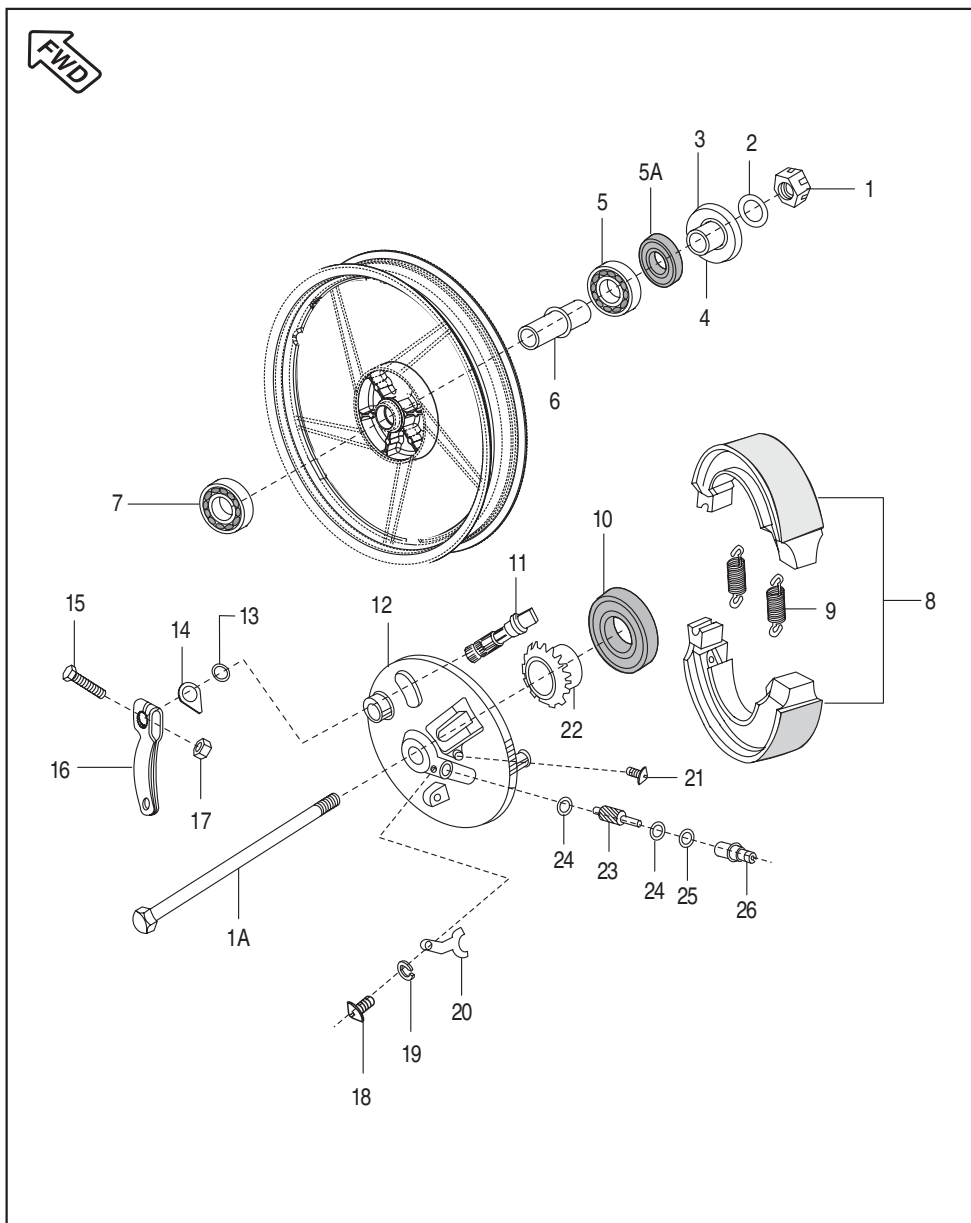
No.	Part No.	Description	DIS 125 DRUM	DIS 125 DISC	DIS 150 DISC	Remarks
1	JD 1318 13	Caliper Assly Front	--	--	1	
	JW 1318 01	Caliper Assly Front	--	1	---	
2	DH 1510 39	Bolt Flanged Caliper Mounting	--	2	2	
3	DE 1510 48	Spring Pad	--	1	1	
4	DE 1510 46	Bleeder Screw	--	1	1	
5	DE 1510 47	Bleeder Cap	--	1	1	
6	DE 1510 37	Disc Pad Set	--	--	1	
	JW 1318 07	Disc Pad Set	--	1	---	
7	DJ 1510 72	Insulator	--	---	1	
	DE 1510 43	Insulator	--	1	---	
8	DJ 1510 73	Protection Boot	--	--	1	
	DE 1510 45	Protection Boot	--	1	---	
9	DJ 1510 74	Minor Kit - Caliper	--	--	1	
	JW 1318 09	Minor Kit - Caliper	--	1	---	
10	DJ 1510 75	Major Kit - Caliper	--	1	1	
11	JW 1318 10	Anchor Pin Kit	--	1	1	

Front Hub (Drum Brake)



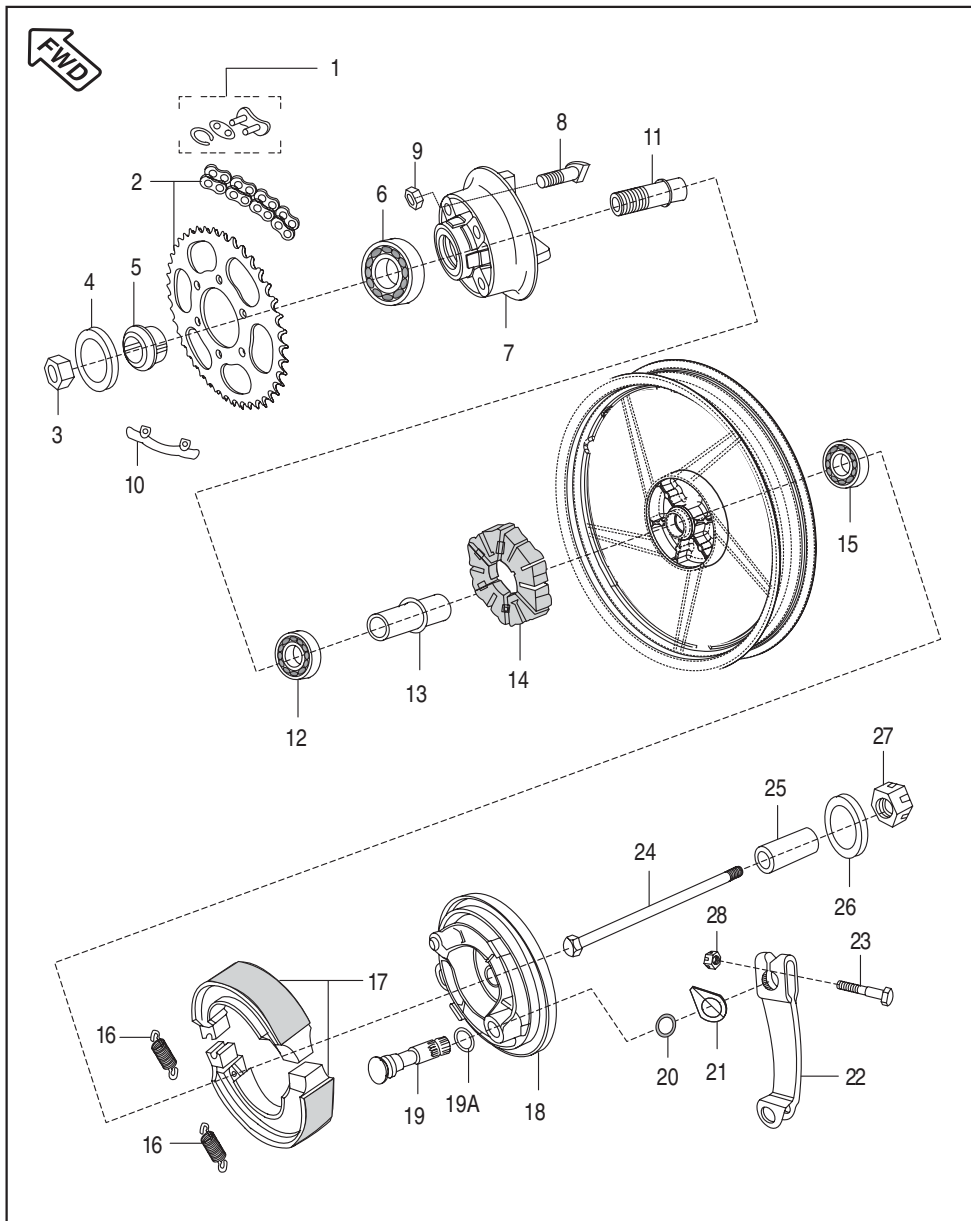
No.	Part No.	Description	DIS 125 DRUM	DIS 125 DISC	DIS 150 DISC	Remarks
1	59 1500 03	U Nut (M12)	1	---	---	
1A	JB 1310 17	Axle Front Wheel	1	---	---	
2	JB 1310 18	Plain Washer	1	---	---	
3	DS 1510 56	Dust Seal	1	--	--	N.S. (N.I.)
4	JB 1310 22	Spacer + Dust Seal (Assembly)	1	--	--	
5	39 2680 20	Bearing Ball	1	---	---	
5A	PA 1310 03	Oil Seal	1	---	---	
6	PA 1316 00	Collar Bearing	1	---	---	
7	39 2681 20	Ball Bearing	1	---	---	
8	30 1511 05	Shoe Brake	2	---	---	
	JN 1318 12	Shoe Brake Assly	1	---	---	(Non Asbestos)
9	30 1510 69	Spring	2	---	---	
10	14 1510 21	Oil Seal	1	---	---	
11	DS 1510 89	Cam Brake Assly.	1	---	---	
	30 1510 11	Cam Brake Assly.	1	-	-	Re-introduced
12	DS 1510 87	Panel Front Brake	1	---	---	
	DS 1510 69	Panel Front Brake	1	-	-	Re-introduced
13	30 1510 38	Ring 'O'	1	---	---	
14	DS 1510 91	Indicator	1	---	---	
	30 1510 05	Indicator	1	-	-	Re-introduced
15	39 0775 04	Bolt	1	---	---	
	39 2447 04	Bolt	1	--	--	Re-introduced
16	DS 1510 92	Lever Brake Cam	1	---	---	
	JZ 1318 91	Lever Brake Cam	1	-	-	Re-introduced
17	DS 1510 94	Nut	1	---	---	
	39 0798 15	Nut	1	-	-	Re-introduced
18	39 0840 01	Pan Headed Screw	1	---	---	

Front Hub (Drum Brake)



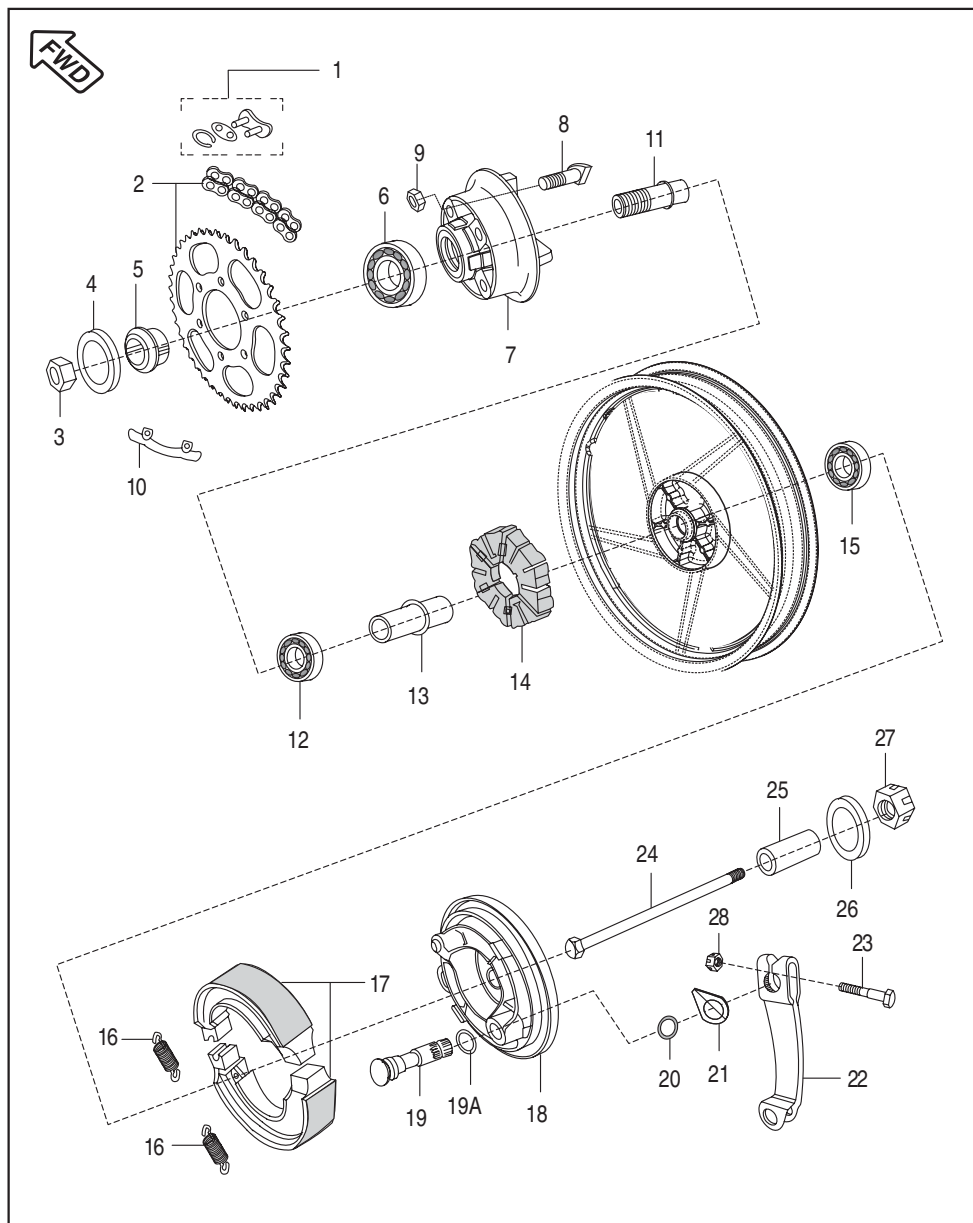
No.	Part No.	Description	DIS 125 DRUM	DIS 125 DISC	DIS 150 DISC	Remarks
19	39 0732 12	Washer Spring	1	---	---	
20	30 1511 18	Stopper for Bushing	1	---	---	
21	LB D000 01	Screw	1	--	--	To Secure SpeedoCable
22	36 DS 15 02	Speedometer Gear Kit	1	--	---	
23	30 1510 35	Seal Oil	1	--	---	
24	39 0242 11	Washer Plain	2	---	---	
25	39 1013 21	'O' Ring	1	--	---	
26	JA 1316 06	Bushing Speedo Gear	1	--	---	

Rear Hub



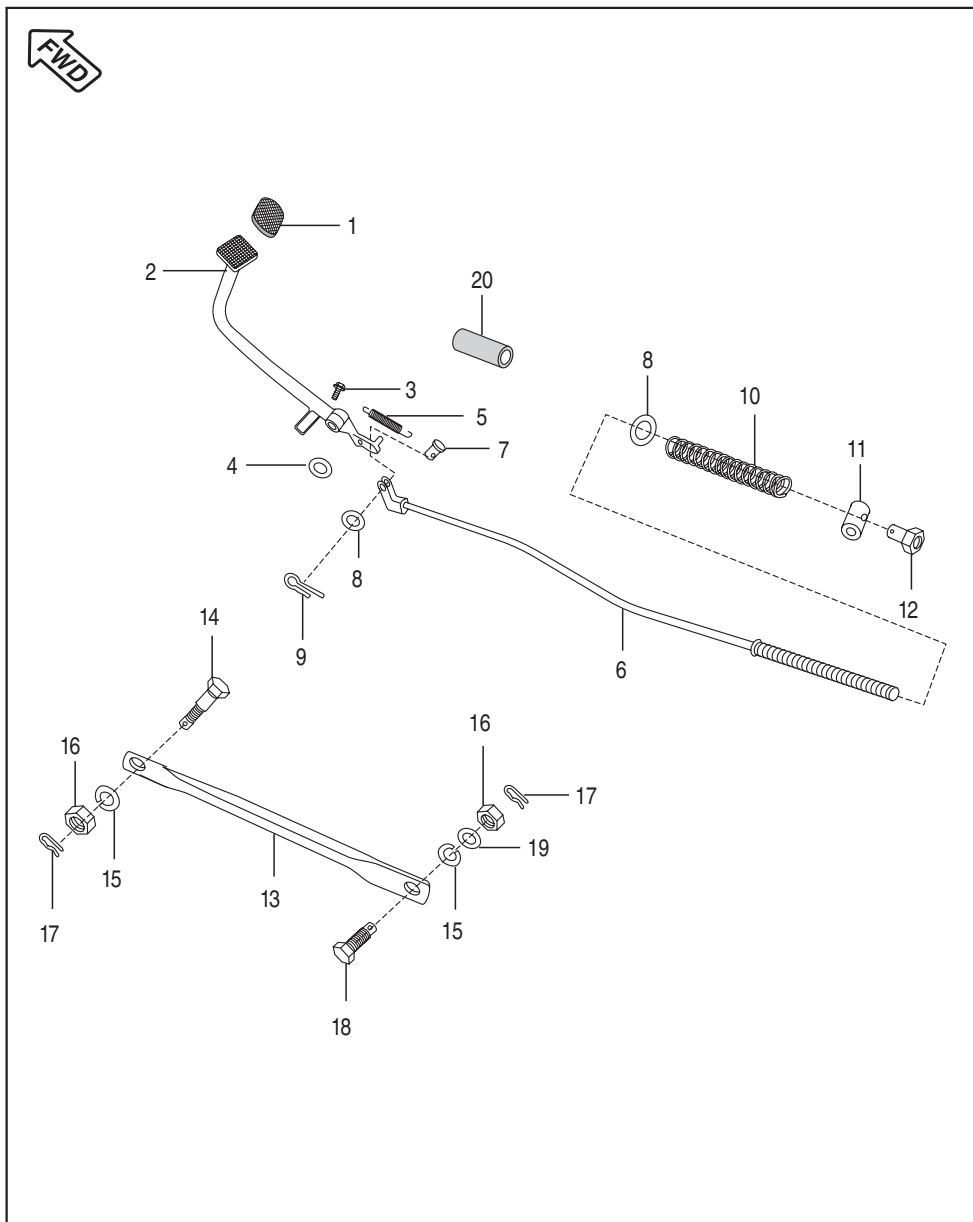
No.	Part No.	Description	DIS 125 DRUM	DIS 125 DISC	DIS 150 DISC	Remarks
1	DJ 1510 53	Drive Chain Lock	-	-	1	
	DX 1510 81	Drive Chain Lock	1	1	-	
2	36 JZ00 07	Chain Sprocket Kit	---	---	1	
	36 JZ00 26	Chain Sprocket Kit	1	1	---	
3	39 0801 15	Nut	1	1	1	
4	39 2567 11	Plain Washer	1	1	1	
5	DJ 1510 35	Collar Assly	1	1	1	
6	39 2240 20	Bearing Ball	1	1	1	
7	DS 1510 68	Coupling	1	1	1	
8	DS 1510 73	'D' Bolt	4	4	4	
9	39 0794 15	Hex Lock Nut	4	4	4	
10	DS 1510 74	Washer	2	2	2	
11	DJ 1510 33	Sleeve	1	1	1	
12	39 2686 20	Bearing Ball	1	1	1	
13	30 1510 75	Collar Bearing	1	1	1	
14	DJ 1510 88	Damper	1	1	1	
	DK 1510 94	Damper	1	1	1	Re-introduced
15	39 2687 20	Bearing Ball	1	1	1	
16	30 1510 69	Spring	2	2	2	
17	30 1511 05	Shoe Brake Assly	1	1	1	
	JN 1318 12	Shoe Brake Assly	1	1	1	(Non Asbestos)
18	DJ 1510 92	Panel Rear Brake	1	1	1	
	DS 1510 69	Panel Rear Brake	1	1	-	Re-introduced

Rear Hub



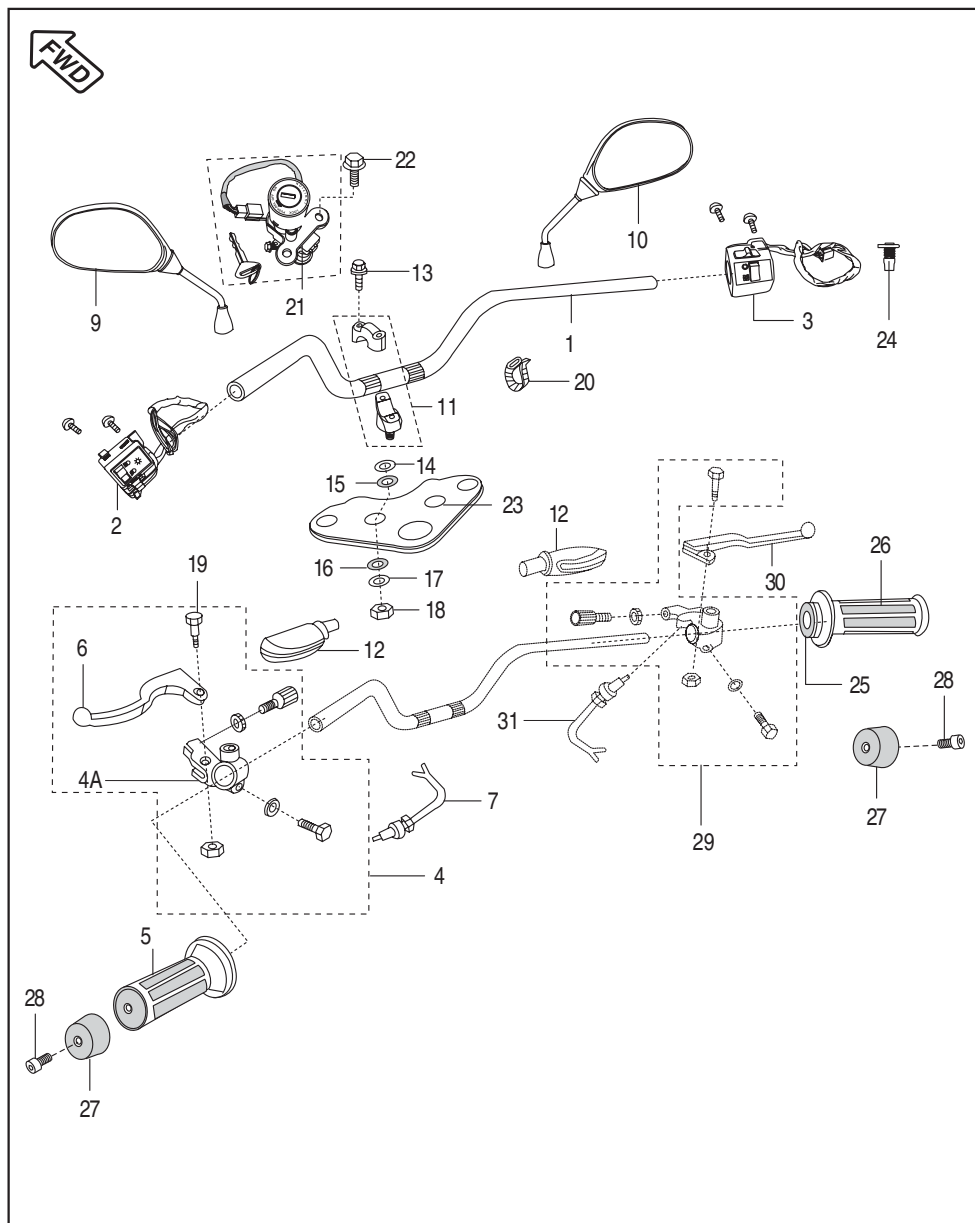
No.	Part No.	Description	DIS 125 DRUM	DIS 125 DISC	DIS 150 DISC	Remarks
19	30 1510 11	Cam Brake	1	1	1	
19A	39 0722 11	Plain Washer	1	1	1	
20	30 1510 38	Ring 'O'	1	1	1	
21	DS 1510 90	Indicator	1	1	1	
	30 1510 05	Indicator	1	1	-	Re-introduced
22	JZ 1318 03	Lever Brake	1	1	1	
	JZ 1318 91	Lever Brake	1	1	-	Re-introduced
23	JB 1312 24	Bolt	1	1	1	N.S
	39 2447 04	Bolt	1	1	-	Re-introduced
24	JN 1312 11	Axle	1	1	1	
25	DX 1510 22	Collar	1	1	1	
26	LD B000 01	Plain Washer	1	1	1	
27	DJ 1710 33	'U' Nut	1	1	1	
28	DS 1510 94	Nut M6	1	1	1	
	39 0798 15	Nut M6	1	1	-	Re-introduced

Rear Brake Pedal



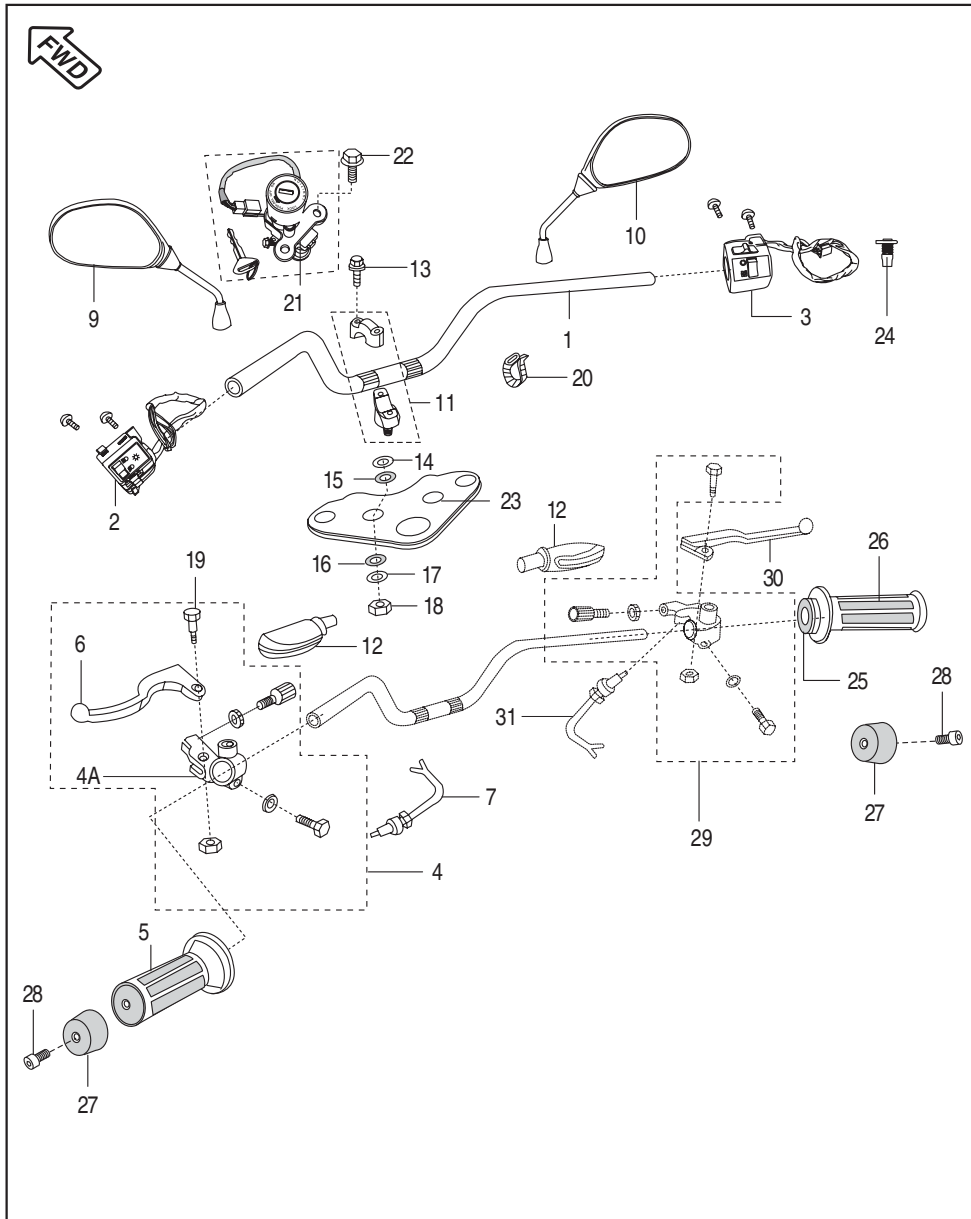
No.	Part No.	Description	DIS 125 DRUM	DIS 125 DISC	DIS 150 DISC	Remarks
1	JA 1610 03	Pad Lever Brake	1	1	1	
2	JZ 1610 02	Brake Pedal	1	1	1	
	PA 1610 12	Brake Pedal	1	1	-	Re-introduced
3	39 1680 04	Hex. Bolt	1	1	1	
4	DG 1910 45	Washer	1	1	1	
5	DS 1910 11	Brake Pedal Spring	1	1	1	
6	JZ 1610 04	Rod Brake	1	1	1	
7	30 1910 38	Pin	1	1	1	
8	39 0198 11	Plain Washer	2	2	2	
9	39 0808 08	Split Pin	1	1	1	
10	30 1910 35	Spring	1	1	1	
11	15 1910 26	Pin	1	1	1	
12	30 1910 36	Brake Adjuster Nut	1	1	1	
13	DS 1510 25	Rod Torque	1	1	1	
14	DH 1510 29	Step Bolt	1	1	1	
15	39 0789 12	Spring Washer	2	2	2	
16	39 0694 15	Nut Hex. Lock	2	2	2	
17	39 0807 08	Pin Snap	2	2	2	
18	30 1510 96	Hex. Bolt	1	1	1	
19	39 1540 11	Plain Washer	1	1	1	
20	JZ 1610 06	Sleeve Brake Return Spring	1	1	1	
21	39 1672 04	Bolt M - 6	1	1	1	For Brake Pedal Adjuster
22	39 0292 15	Hex Nut M-6	1	1	1	For Brake Pedal Adjuster
23	36 DH40 14	Brake Adjusting Kit	1	1	1	Include Sr. No. 7 to 11

Handle Bar



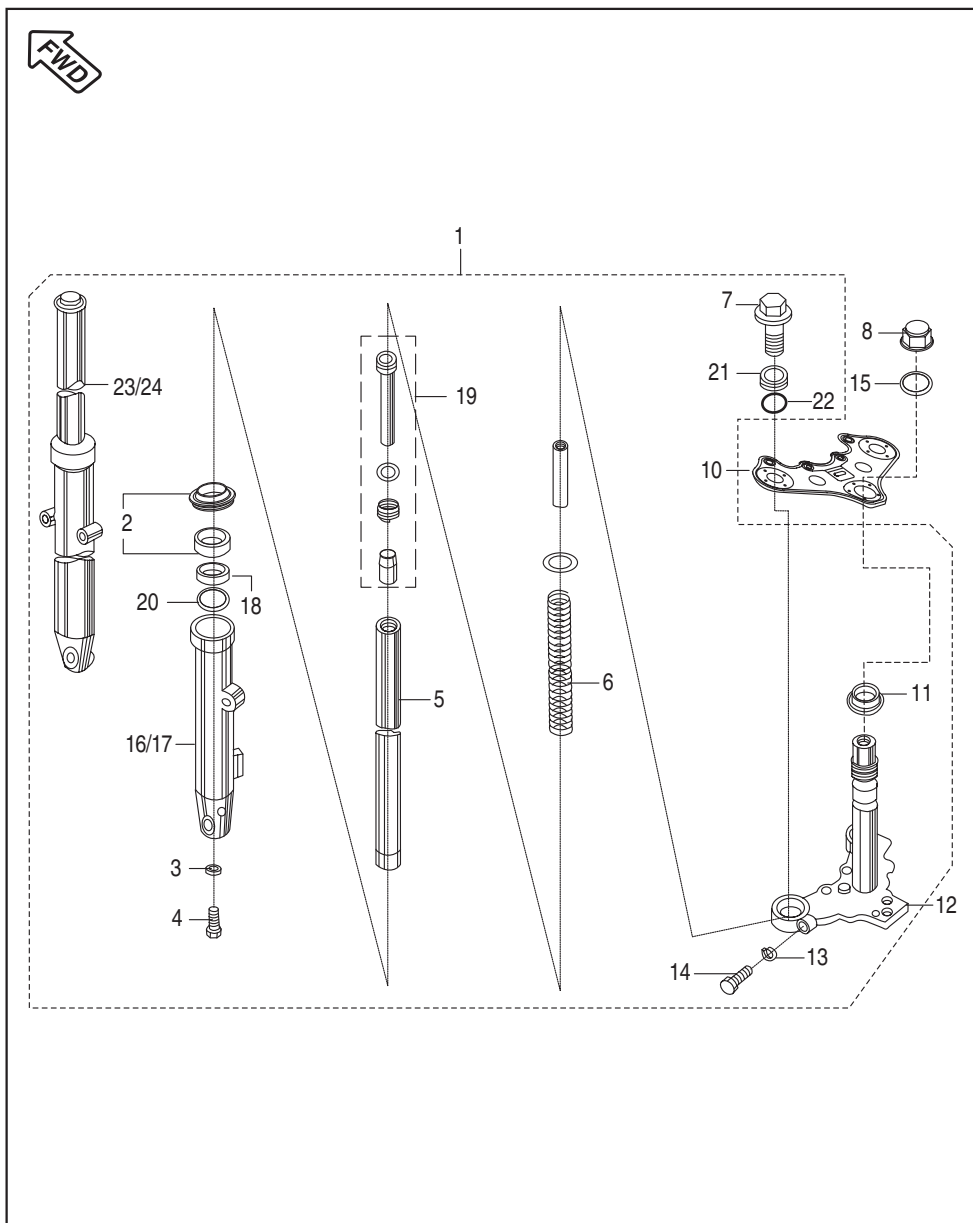
No.	Part No.	Description	DIS 125 DRUM	DIS 125 DISC	DIS 150 DISC	Remarks
1	DS 1810 44	Handle Bar	1	1	1	
2	JB 4014 00	Control Switch LH	1	1	1	
3	JB 4014 01	Control Switch RH	1	1	-	
	PA 4014 05	Control Switch RH	-	-	1	
4	PA 4014 00	Lever & Holder Assly	1	1	-	
	JZ 1610 23	Lever & Holder Assly	-	-	1	
4A	DJ 1910 54	Holder LH	1	1	-	
	DJ 1910 81	Holder LH	-	-	1	
5	DS 1910 15	Grip LH	1	1	1	
6	DJ 1910 55	Lever LH	1	1	-	
	DJ 1910 83	Lever Grip Left	-	-	1	
7	PA 4014 01	Clutch Switch	1	1	-	with Sealed Coupler
	JZ 4014 03	Clutch Switch	-	-	1	with Vertical Base
8	DS 1910 52	Boot for Lever LH	1	1	1	
9	DJ 2210 03	Mirror Assly. LH	1	1	1	
10	DJ 2210 04	Mirror Assly. RH	1	1	1	
11	36 DS18 01	Kit Holder Handle	2	2	2	
12	DS 1910 18	Boot for Lever RH	1	1	1	
13	39 2582 04	Flange Bolt	4	4	4	
14	DS 1810 07	Washer Handle Upper	2	2	2	
15	DS 1810 08	Damper Handle Upper	2	2	2	
16	DS 1810 09	Damper Handle Lower	2	2	2	
17	DS 1810 10	Washer Handle Lower	2	2	2	
18	39 0422 15	Nylock Nut	2	2	2	
19	DL 1910 14	Stud LH (R.H)	1	1	1	

Handle Bar



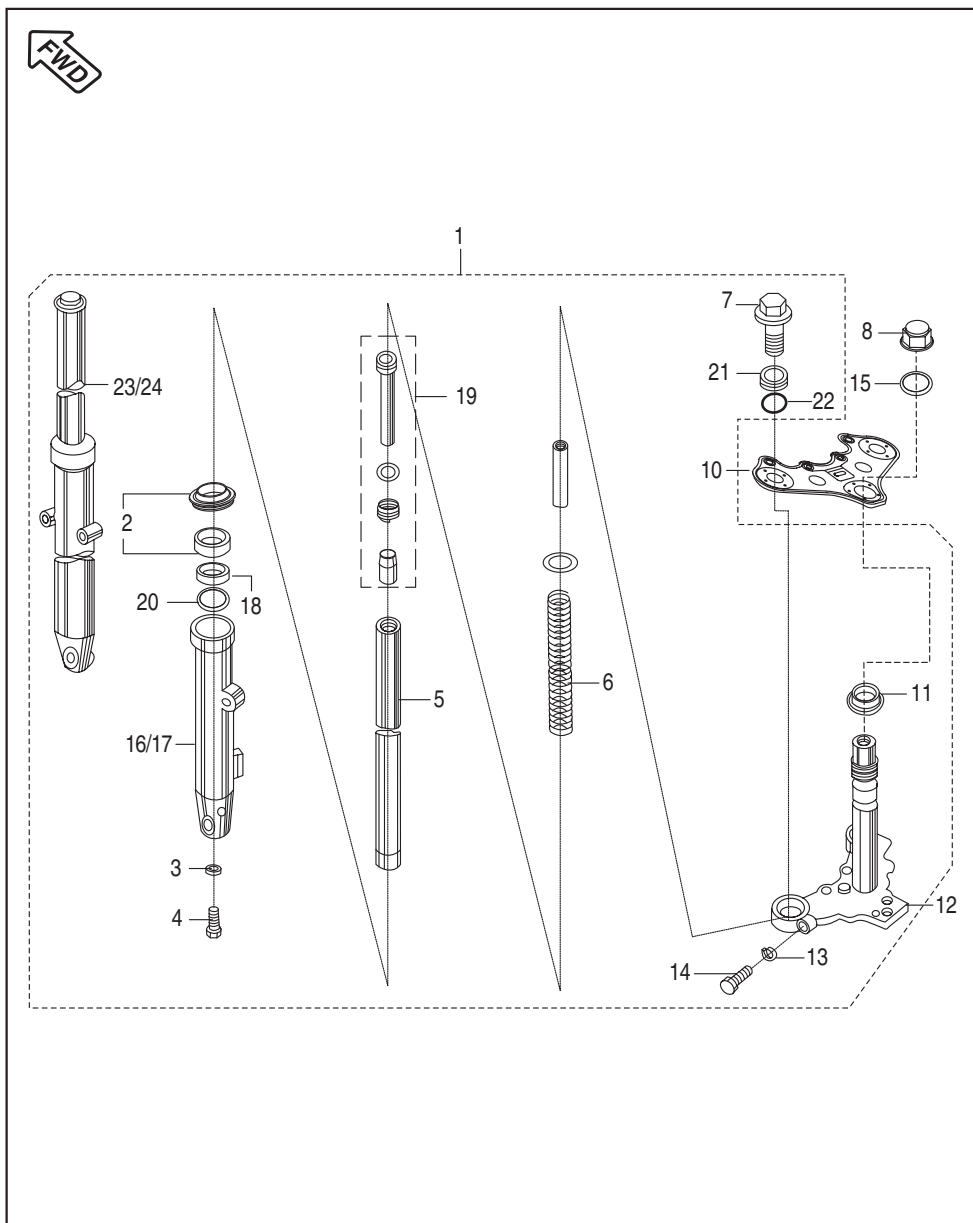
No.	Part No.	Description	DIS 125 DRUM	DIS 125 DISC	DIS 150 DISC	Remarks
20	30 1910 48	Band	2	2	2	
21	JZ 2326 00	3 in One Lock Set	1	1	1	
22	39 1902 04	Flange Bolt	2	2	2	
23	JZ 1510 23	Holder Fork Upper	1	1	1	
24	DU 2010 46	Plunger With Spring	1	1	1	
25	DX 1910 01	Throttle Pipe	1	1	1	
26	DS 1910 16	Hand Grip RH	1	1	1	
27	DH 1810 22	Handel Bar Weight	2	2	2	
28	39 2427 04	Socket Bolt	2	2	2	
29	DS 1910 38	Holder Assly RH	1	--	---	
30	DD 1911 42	Lever RH	1	--	---	
31	DD 2011 70	Front Brake Switch	1	-	---	

Front Fork



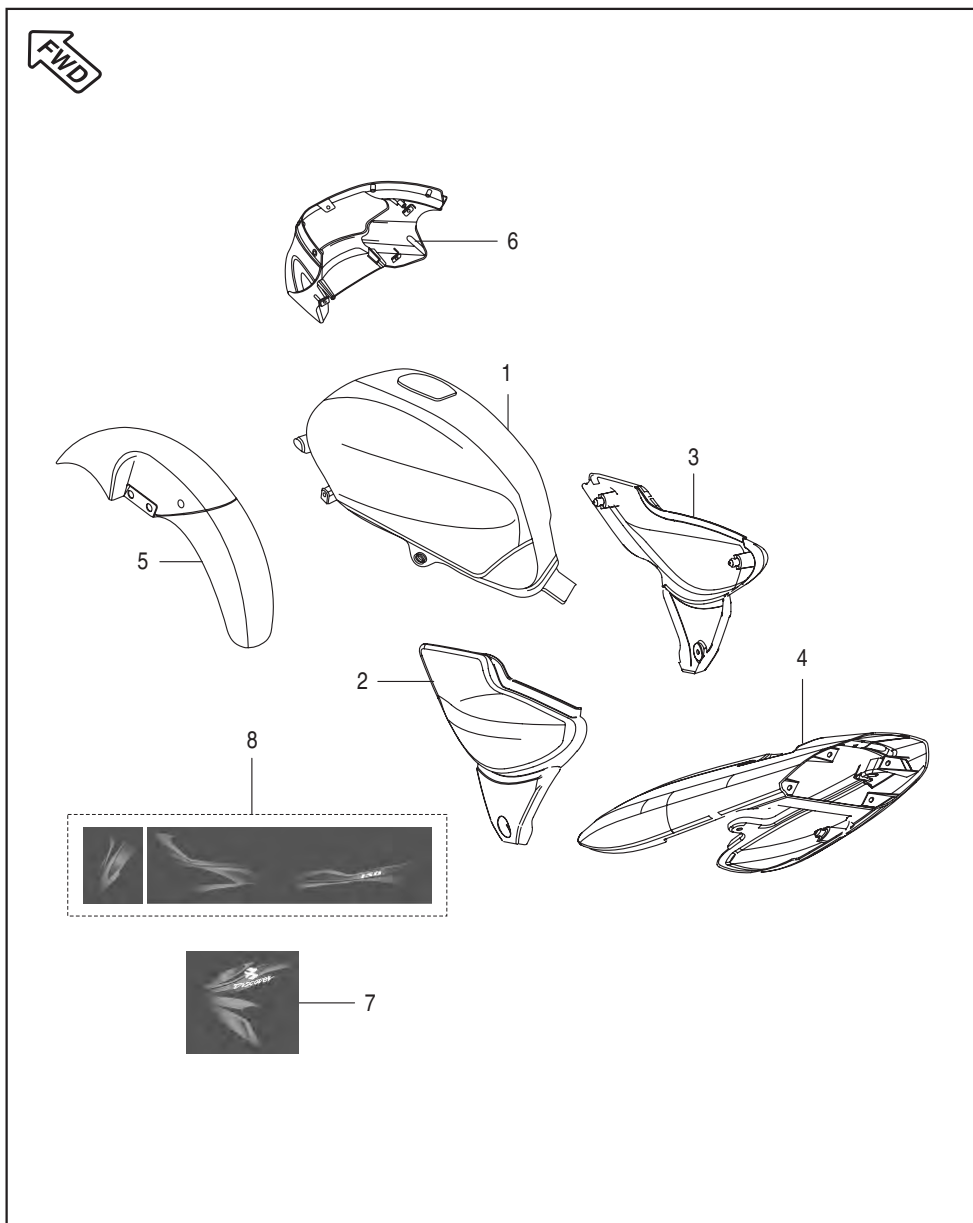
No.	Part No.	Description	DIS 125 DRUM	DIS 125 DISC	DIS 150 DISC	Remarks
1	JZ 1510 00	Fork Front	--	--	1	
	JZ 1510 43	Fork Front	1	-	-	
	JZ 1510 57	Fork Front	--	1	---	
	JZ 1510 73	Fork Front	--	1	1	For Colombia
	JZ 1210 55	Fork Front	-	1	--	Re-introduced
	JZ 1210 56	Fork Front	1	-	-	Re-introduced
2	36 Dz00 20	Front Fork Seal Kit	1	1	1	
3	30 1810 26	Gasket	2	2	2	
4	30 1810 25	Bolt	2	2	2	
5	JA 1510 13	Fork Pipe Inner	2	2	2	
6	DJ 1811 04	Spring Front Fork	2	2	2	
7	59 0400 06	Bolt Fork	2	2	2	With Washer
8	DS 1810 15	Cap Nut Fork	1	1	1	
9	DS 1810 16	Plain Washer	1	1	1	For Cap Nut
10	JZ 1510 23	Holder Fork upper	1	1	1	
11	30 1810 09	Bearing Cone	1	1	1	
12	JZ 1510 36	Under Bracket Fork	1	1	1	
13	39 0789 12	Spring Washer	2	2	2	
14	39 1181 01	Bolt	2	2	2	
15	DS 1810 16	Washer	2	2	2	
16	JZ 1510 04	Outer Tube LH	--	--	1	
	JZ 1510 61	Outer Tube LH	--	1	---	
	JW 1510 05	Outer Tube LH	1	---	---	
	JZ 1210 59	Outer Tube LH	-	1	-	Re-introduced
	JZ 1210 63	Outer Tube LH	1	-	-	Re-introduced
	JZ 1510 06	Outer Tube RH	--	--	1	
	JZ 1510 59	Outer Tube RH	--	1	---	
	JW 1510 07	Outer Tube RH	1	---	---	
17	JZ 1210 60	Outer Tube RH	--	1	-	Re-introduced
	JZ 1210 64	Outer Tube RH	1	-	-	Re-introduced
	JK 1210 07	Anti Friction Bush	2	2	2	
	JW 1510 23	Cylinder Complete Fork	2	2	2	
20	JK 1210 09	Washer Anti Friction Bush	2	2	2	
21	DS 1810 12	Bolt Fork	2	2	2	
22	31 1811 02	'O' Ring	2	2	2	

Front Fork



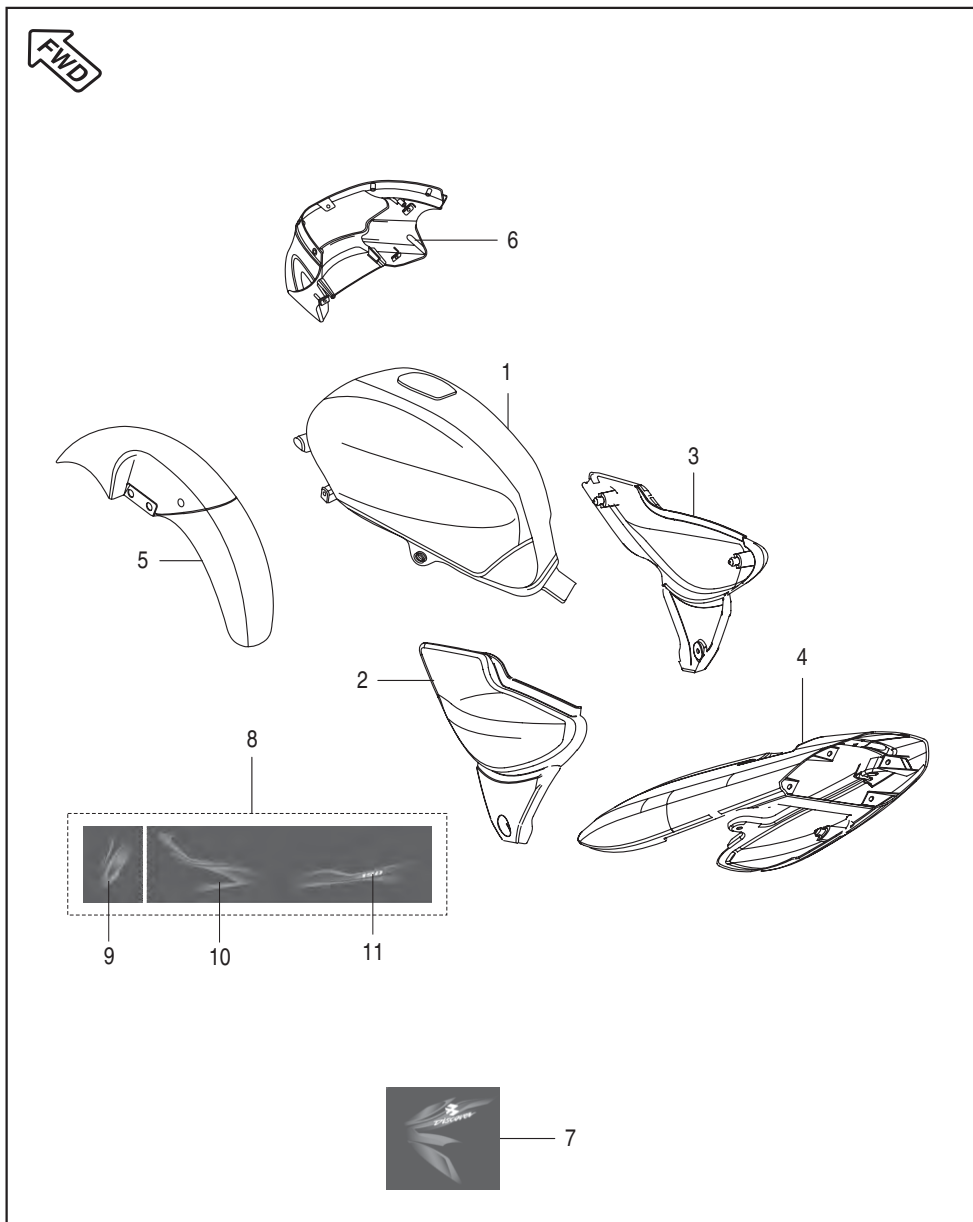
No.	Part No.	Description	DIS 125 DRUM	DIS 125 DISC	DIS 150 DISC	Remarks
23	JZ 1210 57	Leg Assembly LH	-	1	-	Re-introduced
	JZ 1210 61	Leg Assembly LH	1	-	-	Re-introduced
24	JZ 1210 58	Leg Assembly RH	-	1	-	Re-introduced
	JZ 1210 62	Leg Assembly RH	1	-	-	Re-introduced

Painted Parts and Decals



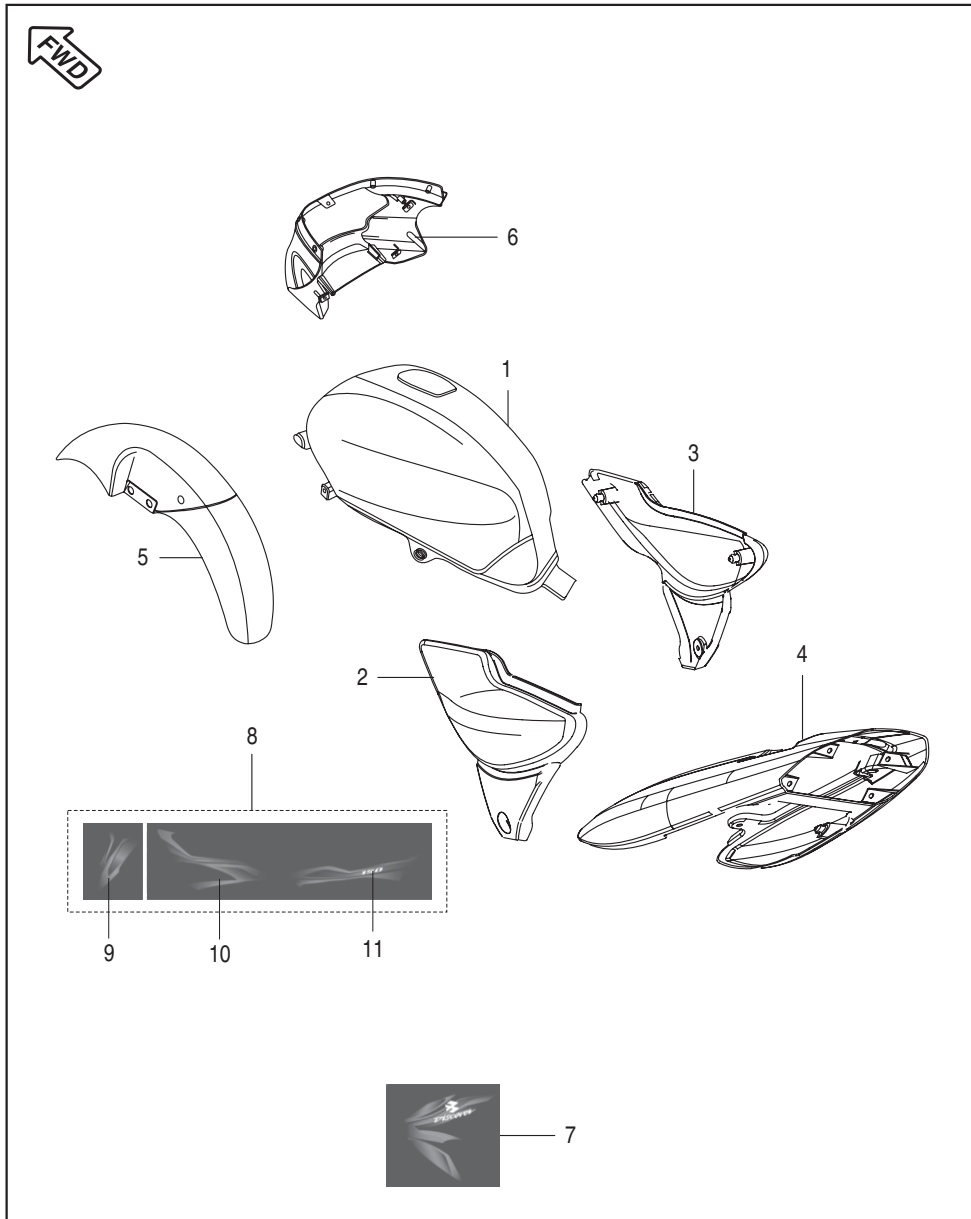
No.	Part No.	Description	DIS 125 DRUM	DIS 125 DISC	DIS 150 DISC	Remarks
1	JZ 7101 3B	Fuel Tank Black with Decal	--	--	1	Blue Decals N.S
	JZ 7101 3C	Fuel Tank Black with Decal	--	--	1	Red Decals N.S
	JZ 7101 5A	Fuel Tank Black with Decal	1	1	1	Blue2 Decals
	JZ 7101 5B	Fuel Tank Black with Decal	1	1	1	Red2 Decals
	JZ 7101 5D	Fuel Tank Black with Decal	1	1	1	Green / Gold
	JZ 7101 5E	Fuel Tank Black with Decal	1	1	1	Magenta Red
	JZ 7101 3F	Fuel Tank Black with Decal	1	1	1	Flame Red/Gold N.S
2	52 JZ00 20	Side Cover Black LH	--	--	1	Blue Decals N.S
	52 JZ00 14	Side Cover Black LH	--	--	1	Red Decals
	52 JZ00 51	Side Cover Black LH	1	1	1	Blue2 Decals
	52 JZ00 53	Side Cover Black LH	1	1	1	Red2 Decals N.S
	52 JZ00 97	Side Cover Black LH	1	1	1	Green / Gold N.S
	52 JZ01 15	Side Cover Black LH	1	1	1	Magenta Red N.S
	52 JZ02 36	Side Cover Black LH	1	1	1	Flame Red/Gold N.S
	3	52 JZ00 21	Side Cover Black RH	--	--	1
52 JZ00 15		Side Cover Black RH	--	--	1	Red Decals
52 JZ00 50		Side Cover Black RH	1	1	1	Blue2 Decals
52 Jz00 52		Side Cover Black RH	1	1	1	Red2 Decals
52 JZ00 98		Side Cover Black RH	1	1	1	Green / Gold
52 JZ01 16		Side Cover Black RH	1	1	1	Magenta Red
52 JZ02 37		Side Cover Black RH	1	1	1	Flame Red/Gold
4		JZ 7303 3B	S Cowl Black Blue Decals	--	--	1
	JZ 7303 3C	S Black Red Decals	--	--	1	
	JZ 7303 5A	S Cowl Black Blue2 Decals	--	--	1	
	JZ 7303 5B	S Cowl Black Red2 Decals	--	--	1	
	52 JZ00 99	S Cowl Black Green / Gold	--	--	1	
	JZ 7303 5E	S Cowl Black Magenta Red	--	--	1	
	JZ 7303 3F	S Cowl Red Flame Red/Gold	--	--	1	
	JZ 7304 5D	S Cowl Black Green / Gold	1	1	--	
	JZ 7304 5E	S Cowl Black Magenta Red	1	1	--	
	JZ 7304 5A	S Cowl Black Blue Decals	1	1	--	
JZ 7304 5B	S Cowl Black Red Decal	1	1	--		

Painted Parts and Decals



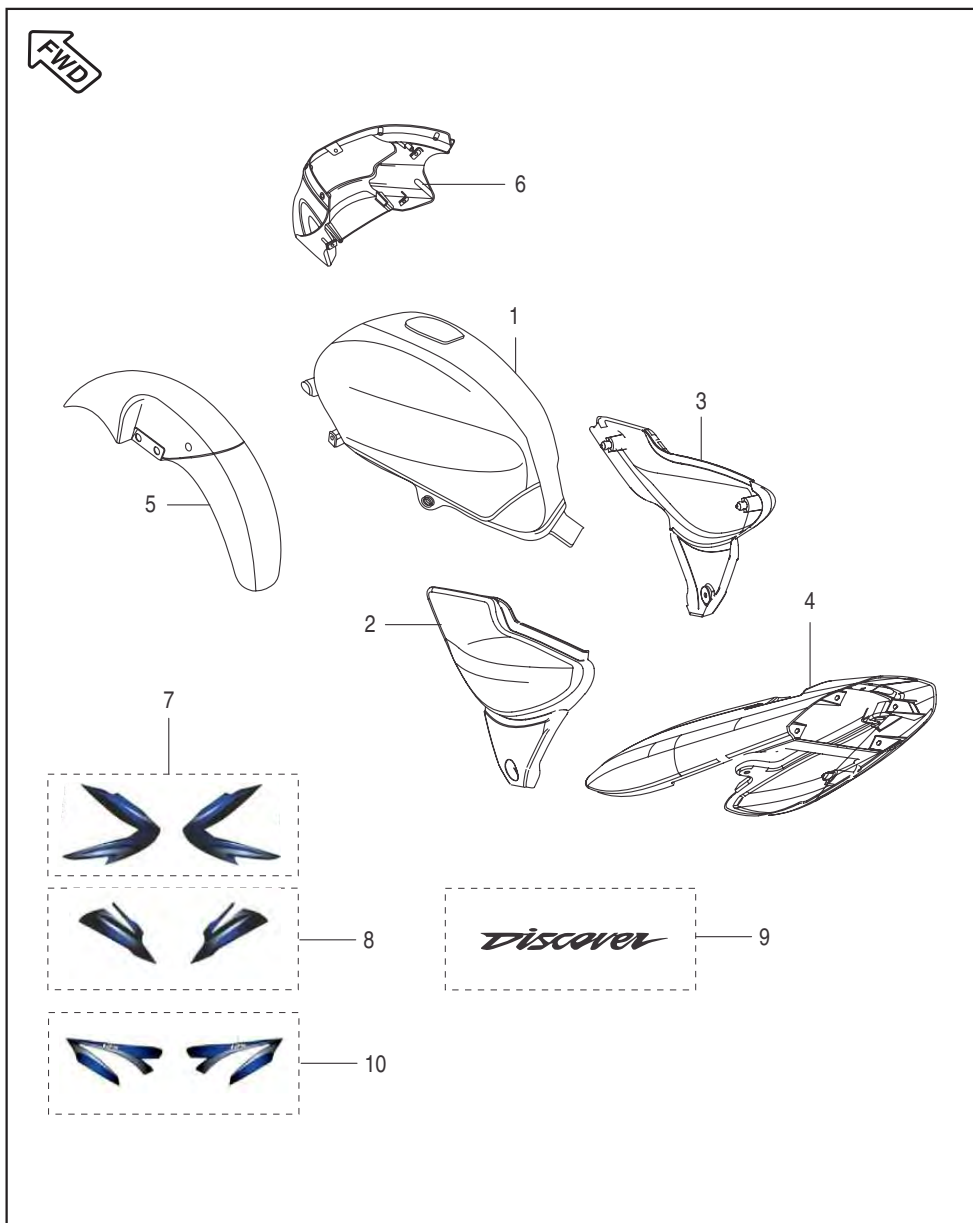
No.	Part No.	Description	DIS 125 DRUM	DIS 125 DISC	DIS 150 DISC	Remarks
	JZ 7304 3F	S Cowl Red Flame Red/Gold	1	1	--	JZ181202
5	JZ 7304 3B	Fender Front Black	1	1	1	
6	52 JZ00 23	Head Lamp Black Cowling	--	--	1	Blue Decals
	52 JZ00 18	Head Lamp Black Cowling	--	--	1	Red Decals
	52 JZ00 54	Head Lamp Black Cowling	1	1	1	Blue2 Decals
	52 JZ00 55	Head Lamp Black Cowling	1	1	1	Red2 Decals N.S
	52 JZ01 00	Head Lamp Black Cowling	1	1	1	Green / Gold
	52 JZ01 18	Head Lamp Black Cowling	1	1	1	Magenta Red
	52 Jz00 18	Head Lamp Black Cowling	1	1	1	Alt For 52JZ0118
	52 JZ02 41	Head Lamp Red Cowling	1	1	1	Flame Red/Gold N.S
7	JZ 2330 00	Tank Decal Set	--	--	1	Blue Decals
	JZ 2330 12	Tank Decal Set	--	--	1	Red Decals
	JZ 2330 24	Tank Decal Set	1	1	1	Blue2 Decals
	JZ 2330 36	Tank Decal Set	1	1	1	Red2 Decals
	JZ 2330 70	Tank Decal Set	1	1	1	Green / Gold
	JZ 2330 86	Tank Decal Set	1	1	1	Magenta Red
	36 JZ00 84	Tank Decal Set	1	1	1	Flame Red/Gold
8	36 JZ00 51	Kit Fairing Decal bl Blue1	--	--	1	
	36 JZ00 52	Kit Fairing Decal bl Red1	--	--	1	
	36 JZ00 57	Kit Fairing Decal bl Red	1	1	1	
	36 JZ00 59	Kit Fairing Decal bl Blue	1	1	1	
	36 JZ00 60	Kit Fairing Decal bl Gold	1	1	1	
	36 JZ00 61	Kit Fairing Decal bl Mag Red	1	1	1	
	36 JZ00 86	Kit Fairing Decal bl FI Red	1	1	1	
9	36 JZ00 41	Kit Cover Side Decal bl Blue	--	--	1	
	36 JZ00 42	Kit Cover Side Decal bl Red	--	--	1	
	36 JZ00 47	Kit Cover Side Decal bl Blue2	1	1	1	
	36 JZ00 48	Kit Cover Side Decal bl Red2	1	1		
	36 JZ00 49	Kit Cover Side Decal Gold	1	1	1	

Painted Parts and Decals



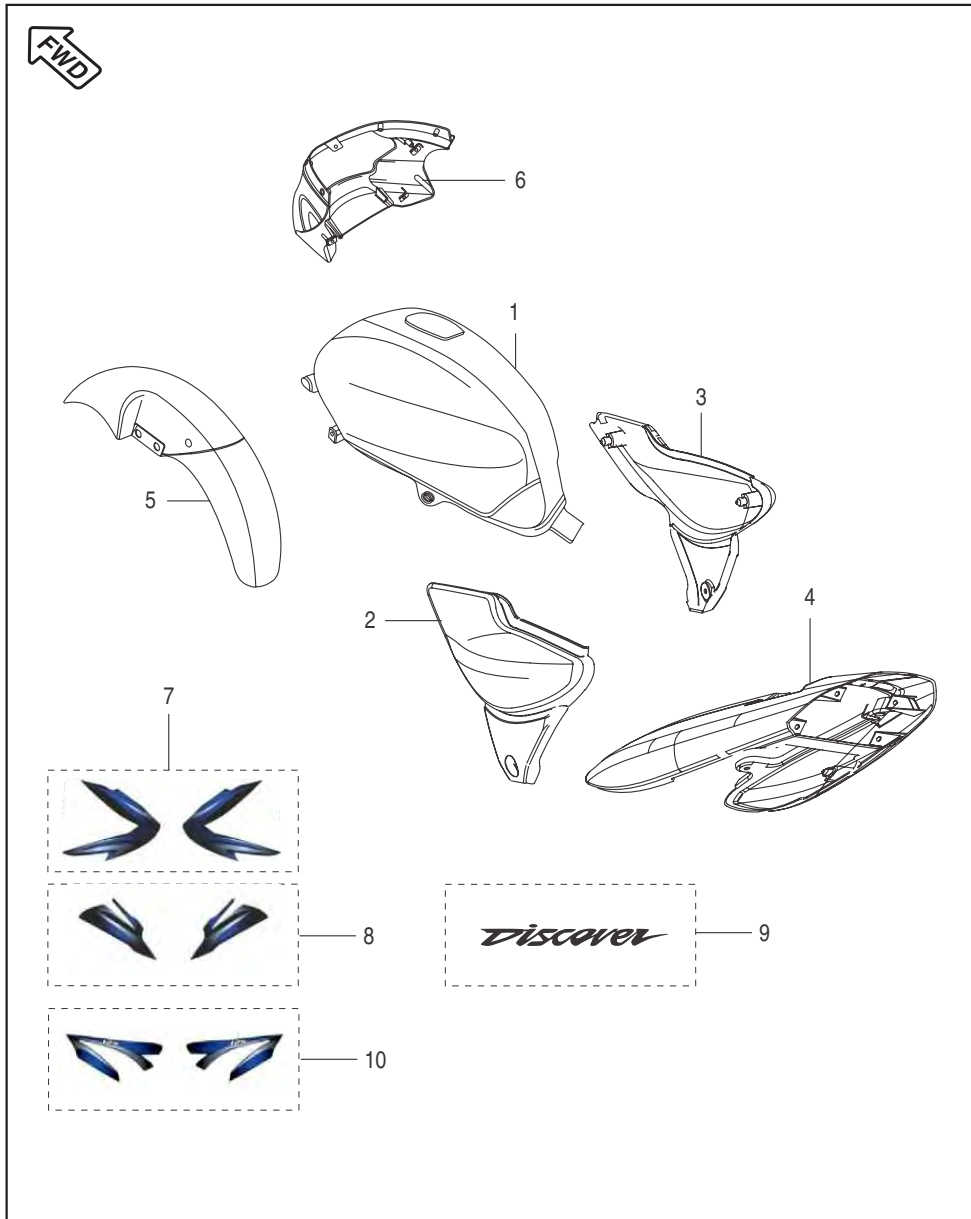
No.	Part No.	Description	DIS 125 DRUM	DIS 125 DISC	DIS 150 DISC	Remarks
	36 JZ00 50	Kit Cover Side Decal Mag Red	1	1	1	
	36 JZ00 85	Kit Cover Side Decal FI Red	1	1	1	
10	36 JZ00 62	Kit Seat Cowl Decal Blue1 D50	---	---	1	
	36 JZ00 63	Kit Seat Cowl Decal Red1 D50	---	---	1	
	36 JZ00 64	Kit Seat Cowl Decal Blue D50	---	---	1	
	36 JZ00 65	Kit Seat Cowl Decal Red D50	---	---	1	
	36 JZ00 66	Kit Seat Cowl Decal Gold D50	---	---	1	
	36 JZ00 67	Kit Seat Cowl Decal M Red D50	---	---	1	
	36 JZ00 88	Kit Seat Cowl Decal M Red D50	---	---	1	
	36 JZ00 68	Kit Seat Cowl Decal Red D125	1	1	---	
	36 JZ00 69	Kit Seat Cowl Decal Blue D125	1	1	---	
	36 JZ00 70	Kit Seat Cowl Decal Gold D125	1	1	---	
	36 JZ00 69	Kit Seat Cowl Decal M Red D125	1	1	-	
	36 JZ00 87	Kit Seat Cowl Decal M Red D125	1	1	-	
11	36 JZ00 87	Kit Side Cover Decal	1	1	--	Flame Red/Gold
	36 JZ00 88	Kit Side Cover Decal	--	--	1	Flame Red/Gold

Painted Parts and Decals- (Discover 125 Re-introduced)



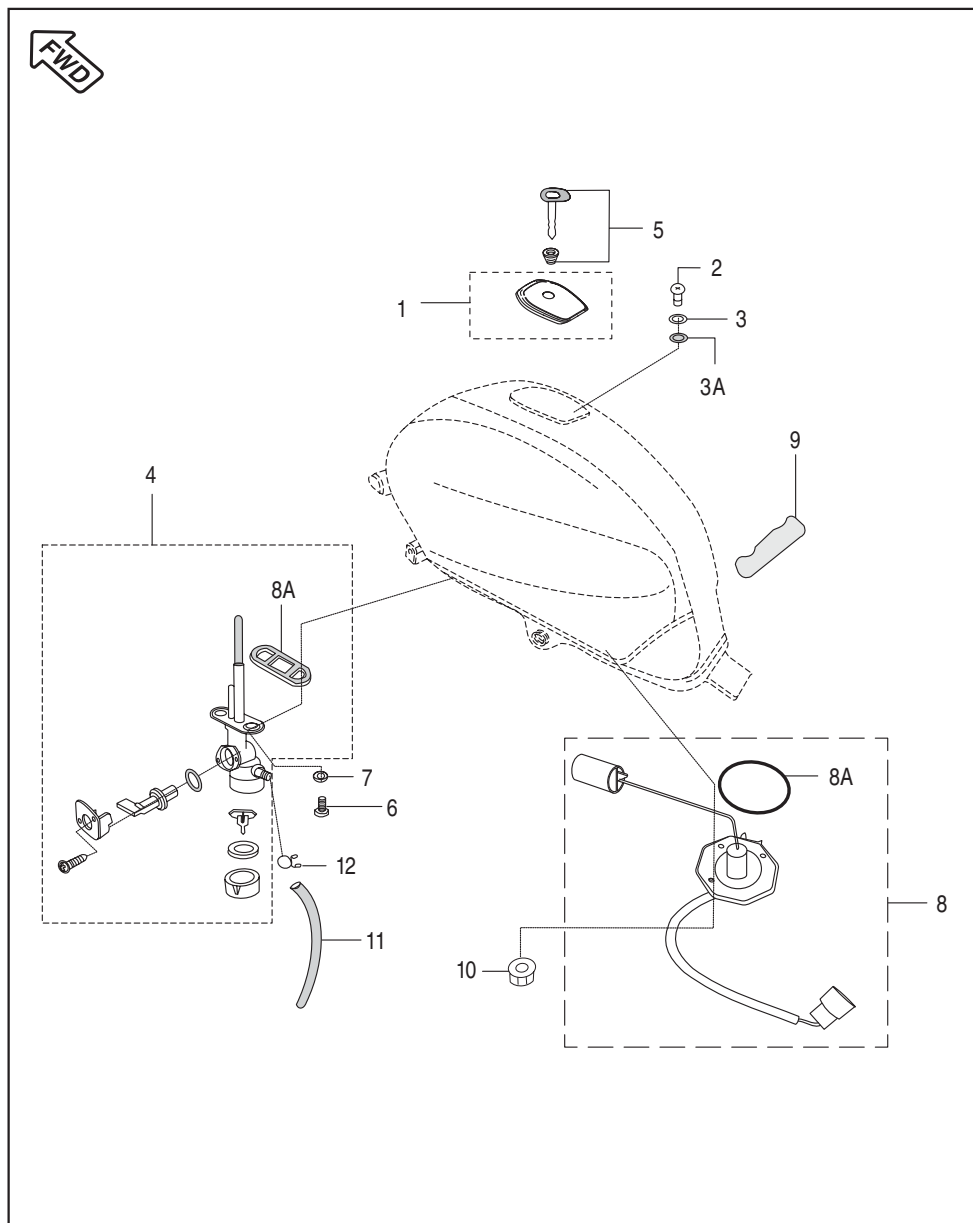
No.	Part No.	Description	DIS 125 DRUM	DIS 125 DISC	DIS 150 DISC	Remarks
1	52 JZ09 22	F Tank Eb black Wh Blue Dcl	1	1	-	
	52 JZ09 23	F Tank Eb black Wh Red Dcl	1	1	-	
	52 JZ09 25	F Tank Fl red Wh Red Dcl	1	1	-	
	52 JZ09 24	F Tank El blue Wh Blue Dcl	1	1	-	
2	52 JZ09 46	Sd.covr Lh Eb bl Wh Blue Dcl	1	1	-	
	52 JZ09 47	Sd.covr Lh Eb bl Wh Red Dcl	1	1	-	
	52 JZ09 49	Sd.covr Lh Fl red Wh Red Dcl	1	1	-	
	52 JZ09 48	Sd.covr Lh El blue Wh Blu Dcl	1	1	-	
3	52 JZ09 50	Sd.covr Rh Eb blk Wh Blue Dcl	1	1	-	
	52 JZ09 51	Sd.covr Rh Eb blk Wh Red Dcl	1	1	-	
	52 JZ09 53	Sd.covr Rh Fl red Wh Red Dcl	1	1	-	
	52 JZ09 52	Sd.covr Rh El blue Wh Blu Dcl	1	1	-	
4	52 JZ09 38	S cwl Eb.black Wh Blue Dcl	1	1	-	
	52 JZ09 39	S cwl Eb.black Wh Red Dcl	1	1	-	
	52 JZ09 41	S cwl Fl.red Wh Red Dcl	1	1	-	
	52 JZ09 40	S cwl El.blue Wh Blue Dcl	1	1	-	
5	JZ 7304 3B	Front Fender E Black	1	1	-	
	PA 7201 3F	Flame Red	1	1	-	
	56 JZ05 3E	Front Fender El Blue	1	1	-	
6	52 JZ09 26	Cowling Eb black Wh Blue Dcl	1	1	-	
	52 JZ09 27	Cowling Eb black Wh Red Dcl	1	1	-	
	52 JZ09 29	Cowling Fl red Wh Red Dcl	1	1	-	
	52 JZ09 28	Cowling El blue Wh Blue Dcl	1	1	-	
7	36 JZ01 47	Kit Dcl T Bl Blue	1	1	-	
	36 JZ01 48	Kit Dcl T Bl Red	1	1	-	
	36 JZ01 50	Kit Dcl T F Red Red	1	1	-	
	36 JZ01 49	Kit Dcl T E Blu Blue	1	1	-	

Painted Parts and Decals- (Discover 125 Re-introduced)



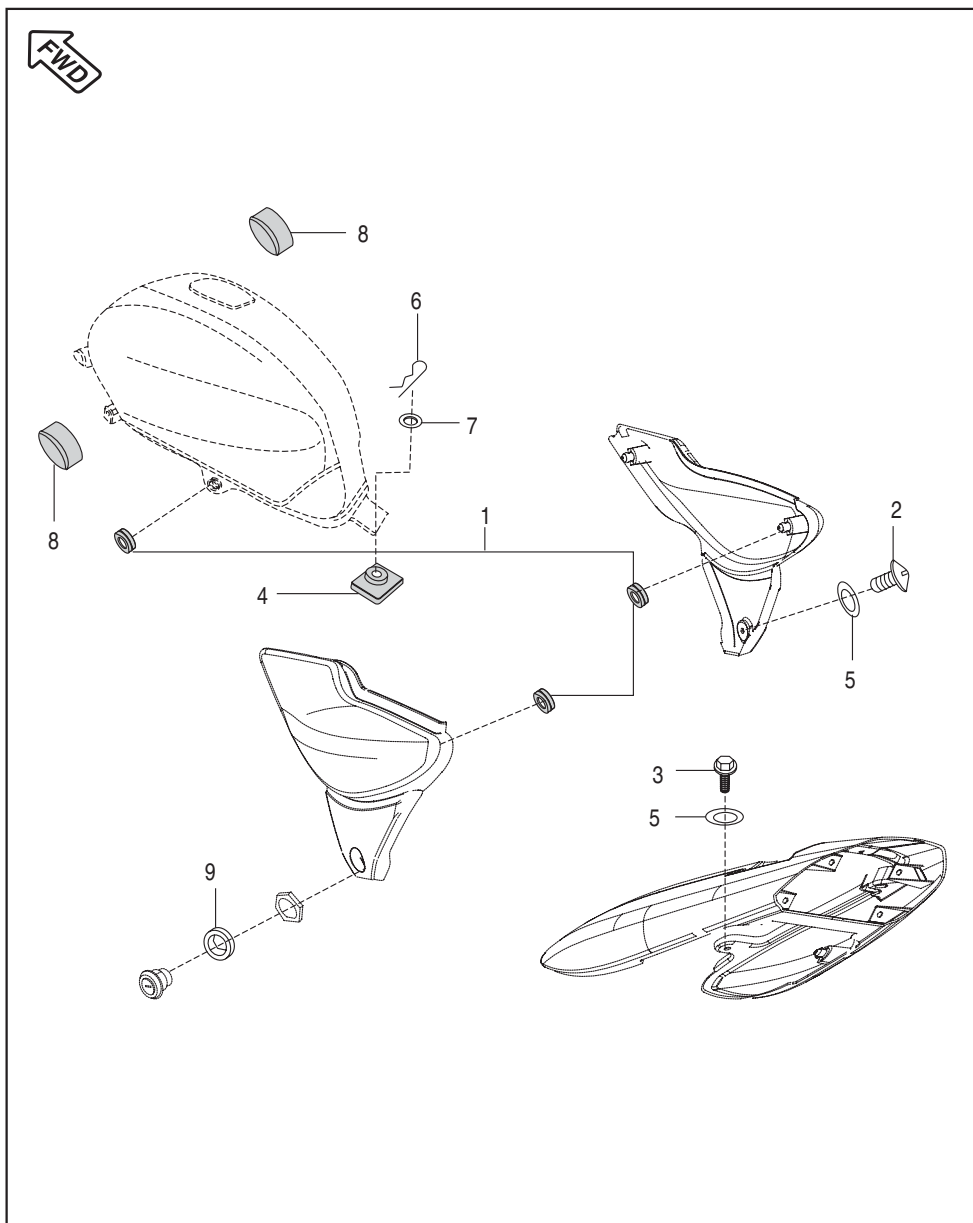
No.	Part No.	Description	DIS 125 DRUM	DIS 125 DISC	DIS 150 DISC	Remarks
8	36 JZ01 52	Kit Dcl Fairing BI Blue	1	1	-	Ref. Cir. IB-245
	36 JZ01 53	Kit Dcl Fairing BI Red	1	1	-	
	36 JZ01 55	Kit Dcl Fairing Red Red	1	1	-	
	36 JZ01 54	Kit Dcl Fairing Blue Blue	1	1	-	
9	36 JZ01 51	Kit Dcl Tank	1	1	-	
	JZ 2334 95	Tank 3D Decal	1	1	-	
10	36 JZ01 56	Kit Dcl S Cowl BI Blue	1	1	-	
	36 JZ01 57	Kit Dcl S Cowl BI Red	1	1	-	
	36 JZ01 59	Kit Dcl S Cowl Red Red	1	1	-	
	36 JZ01 58	Kit Dcl S Cowl Blue Blue	1	1	-	
11	36 JZ01 60	Kit Dcl S Cvr BI Blue	1	1	-	
	36 JZ01 61	Kit Dcl S Cvr BI Red	1	1	-	
	36 JZ01 63	Kit Dcl S Cvr Red Re	1	1	-	
	36 JZ01 62	Kit Dcl S Cvr Blue Blue	1	1	-	

Petrol Tank Cap and Gauge Fuel



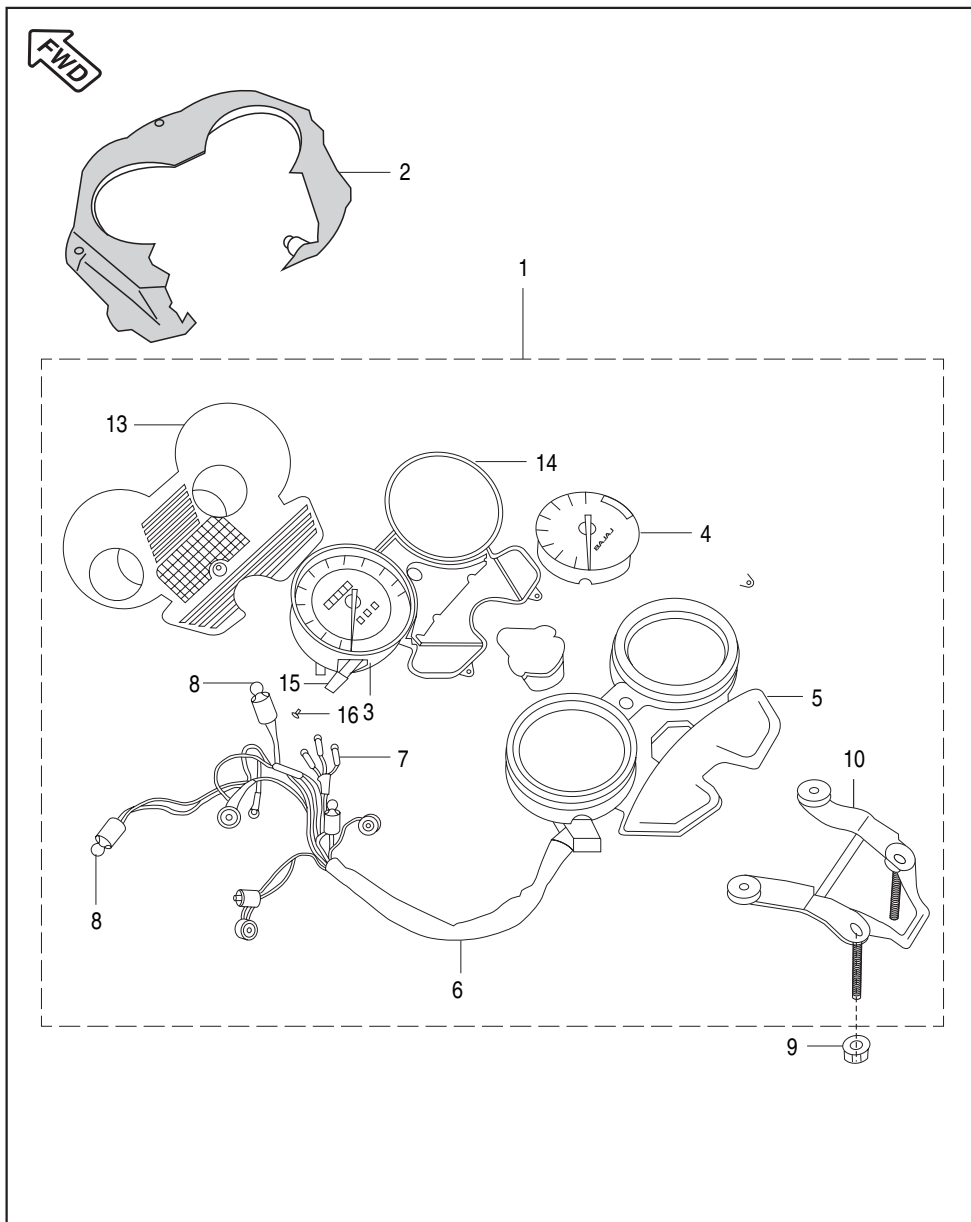
No.	Part No.	Description	DIS 125 DRUM	DIS 125 DISC	DIS 150 DISC	Remarks
1	DS 1410 09	Cap Assly. Tank	1	1	1	
2	39 0761 01	Screw Pan Cross	2	2	2	
3	39 2179 24	Washer	2	2	2	
3A	30 1410 31	'O' Ring	2	2	2	
4	JZ 1718 09	Fuel Tap Assly	1	1	1	
5	JZ 2326 00	3 In 1 Lock Set with Key	1	1	1	
6	DD 1412 27	Bolt Flanged	2	2	2	
7	39 0740 11	Washer (Non-Metallic)	2	2	2	For Petrol Cock
8	DS 2010 79	Fuel Gauge - Tank Unit	1	1	1	With 'O' Ring
8A	DK 1410 28	'O' Ring	1	1	1	
9	DS 1410 13	Seat Tape	1	1	1	Pasted on Tank
10	39 2484 15	Flanged Nut	4	4	4	
11	JB 1718 02	Tube Fuel	1	1	1	Cock to Carburettor
	JZ 1718 22	Tube Fuel	1	1	-	Re-introduced
12	DK 1410 41	Pipe Clip	2	2	2	
13	DZ 1410 75	4 Hole Washer	1	1	1	For Pavna make Fuel Cock
14	36 Jz00 22	Kit fuel cock seal -Advik	1	1	1	For Advik makel Fuel Cock

Fittings - Petrol Tank, Side Covers & Cover Seat



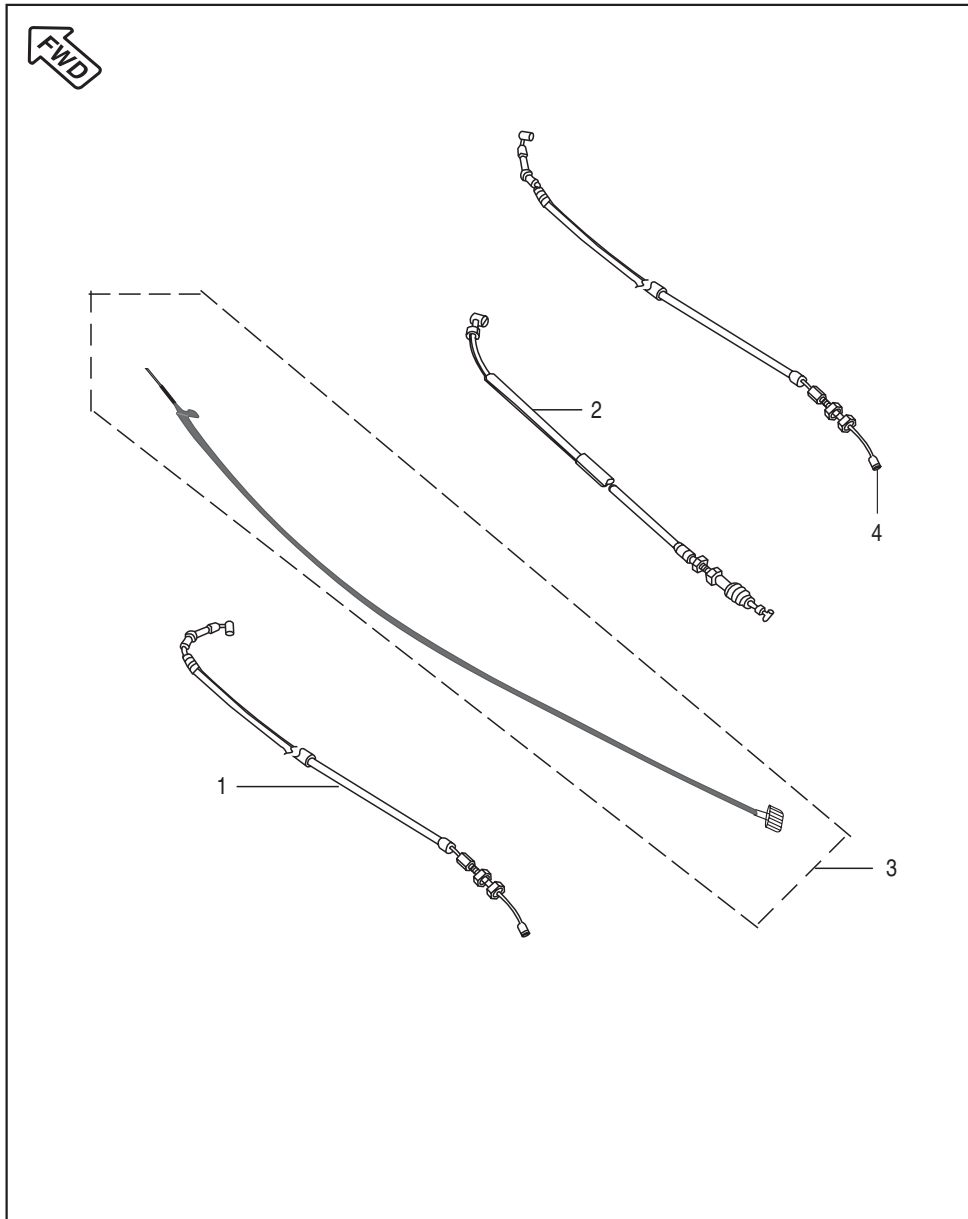
No.	Part No.	Description	DIS 125 DRUM	DIS 125 DISC	DIS 150 DISC	Remarks
1	36 DS14 01	Grommet Kit for Side Cover	1	1	1	
2	DG 1611 21	Screw	1	1	1	
3	39 1943 04	Flanged Bolt	2	2	2	
4	JN 1710 00	Damper Rear	1	1	1	For Tank
5	39 1789 24	Washer Nylon	3	3	3	
6	39 0983 08	Pin Snap	1	1	1	
7	39 1054 11	Plain Washer	1	1	1	
8	DJ 1410 08	Damper Front	2	2	2	For Tank Mtg
9	31 1610 18	Damper	1	1	1	

Meter Assembly



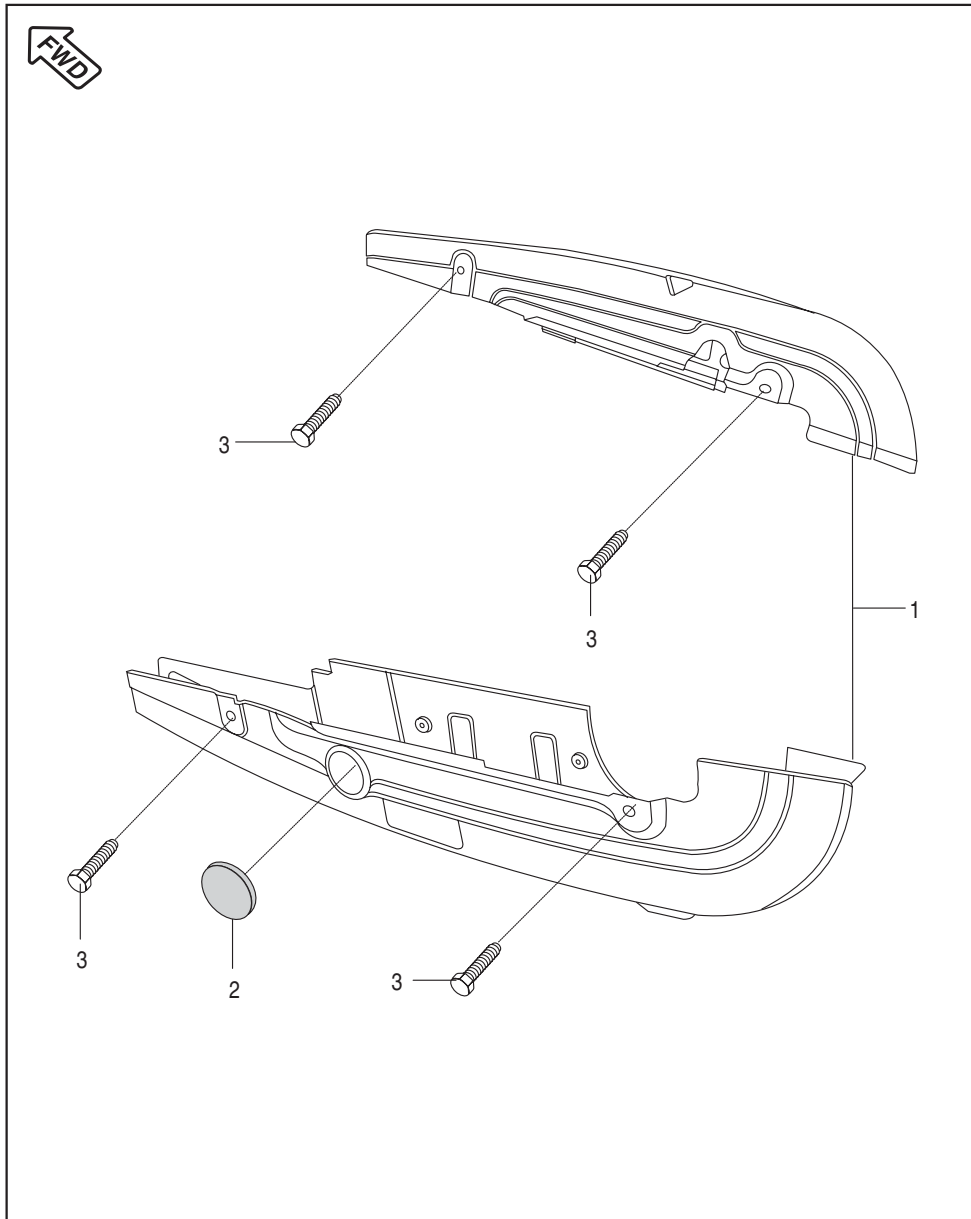
No.	Part No.	Description	DIS 125 DRUM	DIS 125 DISC	DIS 150 DISC	Remarks
1	PA 4024 00	Speedometer Assly.	--	--	1	Up to 10.03.2011
	JZ 4024 03	Speedometer Assly.	1	1	1	
2	JZ 1812 00	Flap Cowling	1	1	1	
3	PA 4024 01	Speedo Machine with Dial Pricol	--	--	1	Up to 10.03.2011
	PA 4024 21	Speedo Machine with Dial Minda	--	--	1	Up to 10.03.2011
	JZ 4024 06	Speedo Machine with Dial Minda	1	1	1	Minda
	36 JZ00 39	Speedo Machine with Dial Pricol	1	1	1	Pricol
4	PA 4024 02	Fuelgauge Machine with Pricol	--	--	1	Up to 10.03.2011
	PA 4024 20	Fuelgauge Machine with Minda	--	--	1	Up to 10.03.2011
	JZ 4024 07	Fuelgauge Machine with Minda	1	1	1	
	36 JZ00 38	Fuelgauge Machine with Minda	1	1	1	
5	PA 4024 03	Speedo meter Top Cover	1	1	1	PA402419-Minda
6	PA 4024 04	Speedometer wiring harness	1	1	1	PA402420-Minda
7	CL 2010 42	Bulb 12V - 1.2 W	4	4	4	
8	DH 1910 37	Bulb 12V - 3 W	2	2	2	
9	39 0798 15	Flanged Nut	2	2	2	
10	PA 4024 05	Speedometer Bracket	1	1	1	
11	JN 1810 14	Foam Speedo Flap	2	2	2	N.I.
12	JN 1814 06	Beading Speedo Flap	4	4	4	N.I.
13	PA 4024 10	Cover Speedo Black	1	1	1	PA402414-Minda
14	PA 4024 11	Assly Speedo Case	1	1	1	PA402415-Minda
15	PA 4024 12	Trip Meter Knob	1	1	1	PA402416-Minda
16	PA 4024 13	Screw Trip Meter Knob	1	1	1	PA402417-Minda

Control Cables



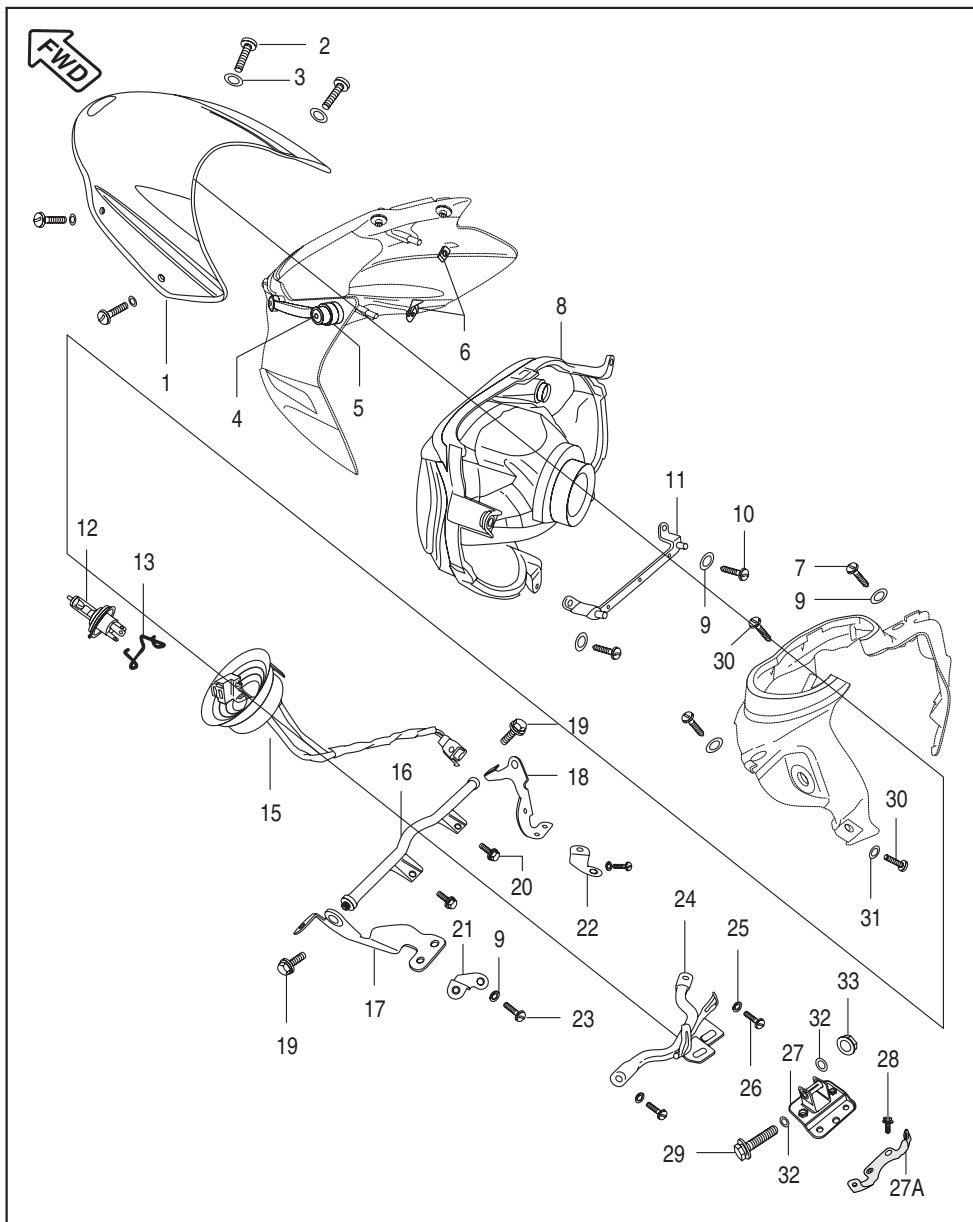
No.	Part No.	Description	DIS 125 DRUM	DIS 125 DISC	DIS 150 DISC	Remarks
1	JZ 1612 02	Cable Accelerator	1	1	1	From 01.12.2010
	JZ 1612 21	Cable Accelerator	1	1	1	
2	JZ 1612 03	Cable Clutch	1	1	1	
3	JZ 1612 04	Cable Speedometer-Screw Mtg	--	--	1	
	JZ 1612 10	Cable Speedometer-Screw Mtg	--	1	1	
4	DS 1910 53	Speedo Cable	1	--	--	
	DS 1910 54	Brake Cable	1	--	--	

Chain Case



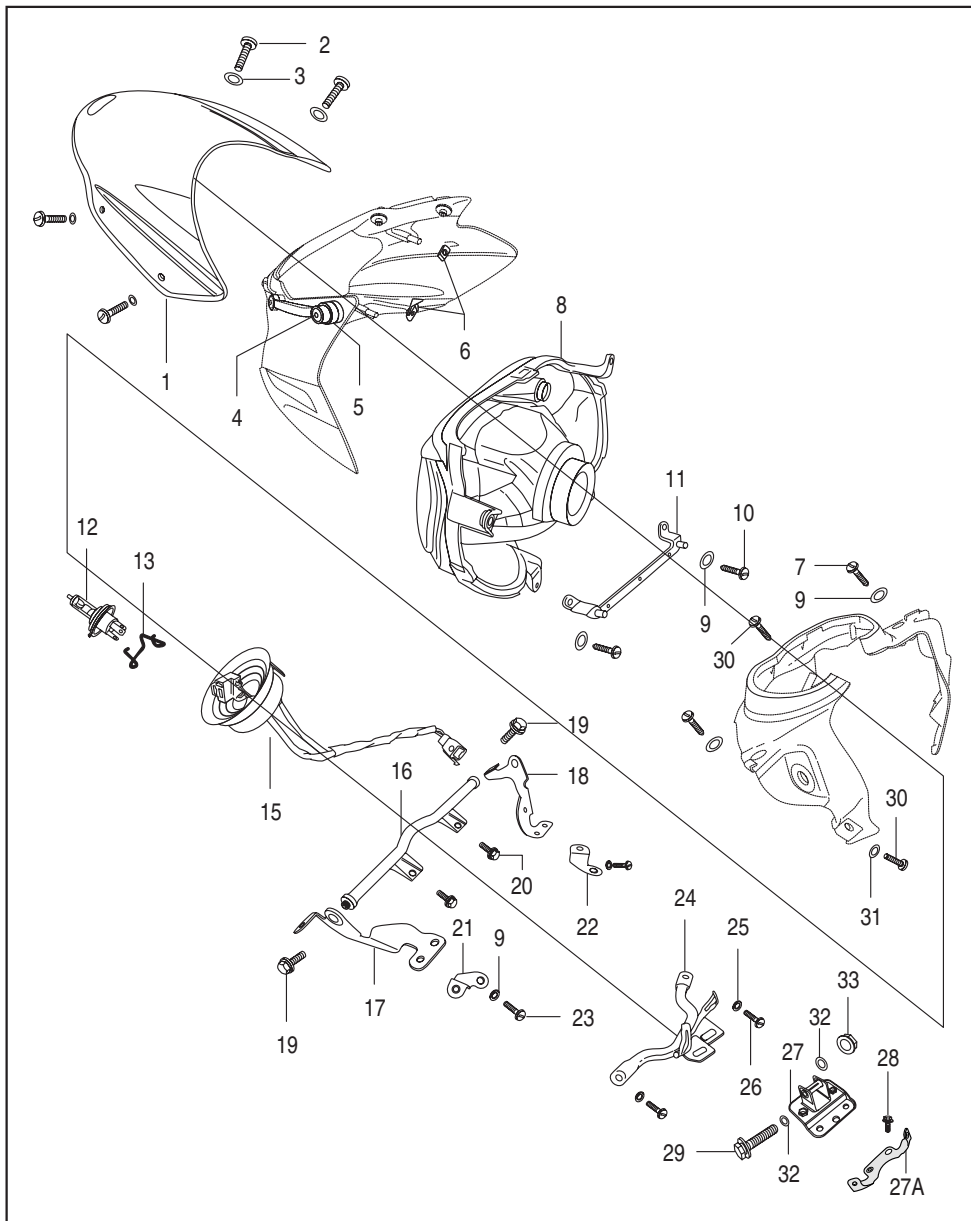
No.	Part No.	Description	DIS 125 DRUM	DIS 125 DISC	DIS 150 DISC	Remarks
1	36 DS40 20	Chain Case Assly Kit	1	1	1	
	52 JZ09 60	Chain Case Assly Kit	1	1	-	Re-introduced
2	15 1610 69	Rubber Cap	1	1	1	
3	DH 1612 83	Bolt	4	4	4	
4	DX 1610 52	Beading Chain Case	1	1	1	N.I.

Head Lamp & Fairing



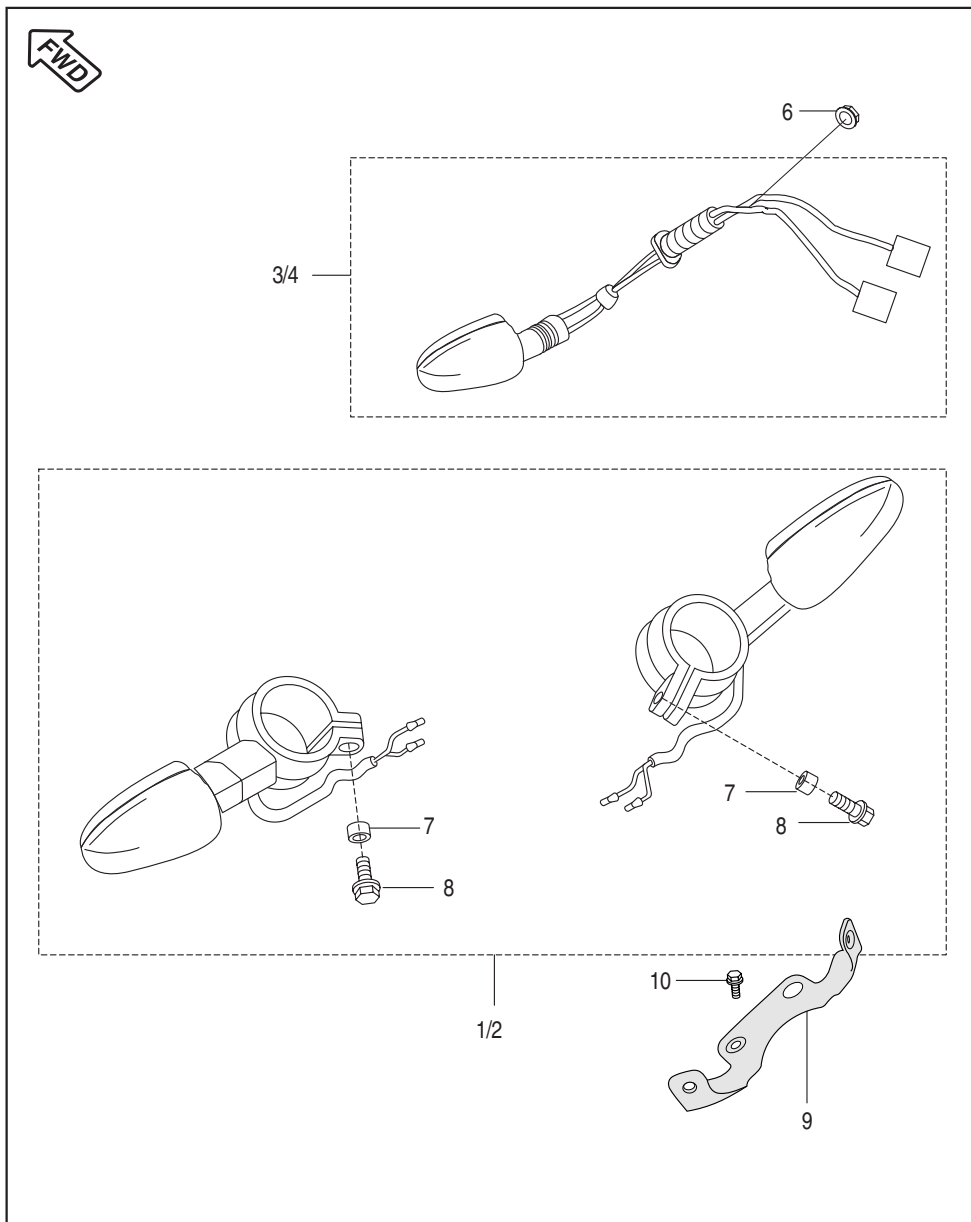
No.	Part No.	Description	DIS 125 DRUM	DIS 125 DISC	DIS 150 DISC	Remarks
1	JN 1810 01	Wind Shield	1	1	1	
2	JZ 1812 06	Screw S.S.	4	4	4	
3	39 2141 24	Non Metallic Washer	4	4	4	
4	JZ 1810 03	Well Nut	4	4	4	
5	JN 1810 10	Bush-1 for Well Nut	2	2	2	
	JN 1810 11	Bush-2 for Well Nut	2	2	2	
6	35 1610 60	Clip Nut	5	5	5	
7	39 2238 01	Screw M.S.	2	2	2	
8	JZ 4010 12	Head Lamp Assly	1	1	1	Without Bulb
9	39 0454 11	Washer Metallic	6	6	6	
10	39 1778 02	Screw Tapping	2	2	2	
11	JN 1810 05	Bracket Head Lamp Mounting	1	1	1	
12	CL 2010 23	Lamp 12V 35/35W-HS1	1	1	1	
13	DS 2010 36	Head Lamp Bulb Clip	1	1	1	
14	JN 1810 19	Foam	1	1	1	
15	JZ 4010 15	Head Lamp Harness Branch	1	1	1	
16	JN 1810 03	Bracket Fairing Top	1	1	1	
17	JN 1810 17	Bracket Flap Support LH	1	1	1	
18	JN 1810 18	Bracket Flap Support RH	1	1	1	
19	JN 1810 21	Bolt Flange	2	2	2	Fairing Top
20	39 1943 04	Bolt Flange	2	2	2	

Head Lamp & Fairing



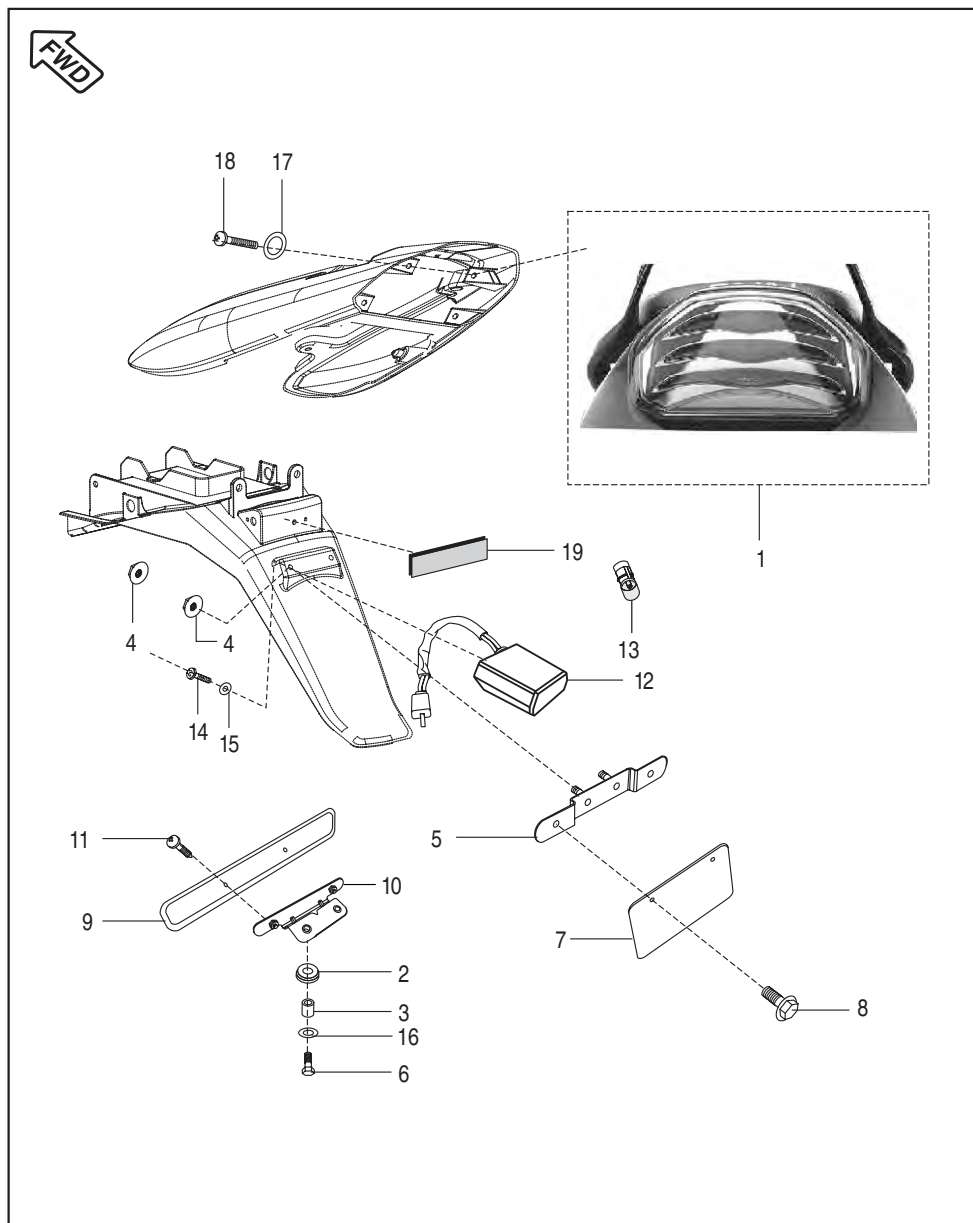
No.	Part No.	Description	DIS 125 DRUM	DIS 125 DISC	DIS 150 DISC	Remarks
21	JN 1810 23	Bracket H/L Mtg Lower LH	1	1	1	
22	JN 1810 24	Bracket H/L Mtg Lower RH	1	1	1	
23	59 0100 05	Screw Mushroom Head	2	2	2	
24	JN 1810 04	Bracket Cowling	1	1	1	
25	39 0219 11	Washer	2	2	2	
26	39 2060 04	Bolt Hex	2	2	2	
27	JZ 1812 08	Bracket Cowling Lower	1	1	1	
28	39 1943 04	Bolt Flange	2	2	2	
29	39 1961 04	Bolt Hex Flange	1	1	1	
30	39 1907 01	Mushroom Head Screw	4	4	4	
31	39 2141 24	Washer Non-Metallic	4	4	4	
32	39 1508 11	Washer for H/L Adjustment Bolt	2	2	2	N.S
33	39 0798 15	Hex Flange Nut	1	1	1	
34	JZ 1810 06	Damper Assly (N.I.)	1	1	1	
35	39 1508 11	Washer for H/L Adjustment Bolt	2	2	2	N.I. N.S
36	JN 1810 19	Foam (N.I.)	1	1	1	
37	JZ 1810 04	Foam on Head Lamp	5	5	5	N.I.

Indicator Light Assembly



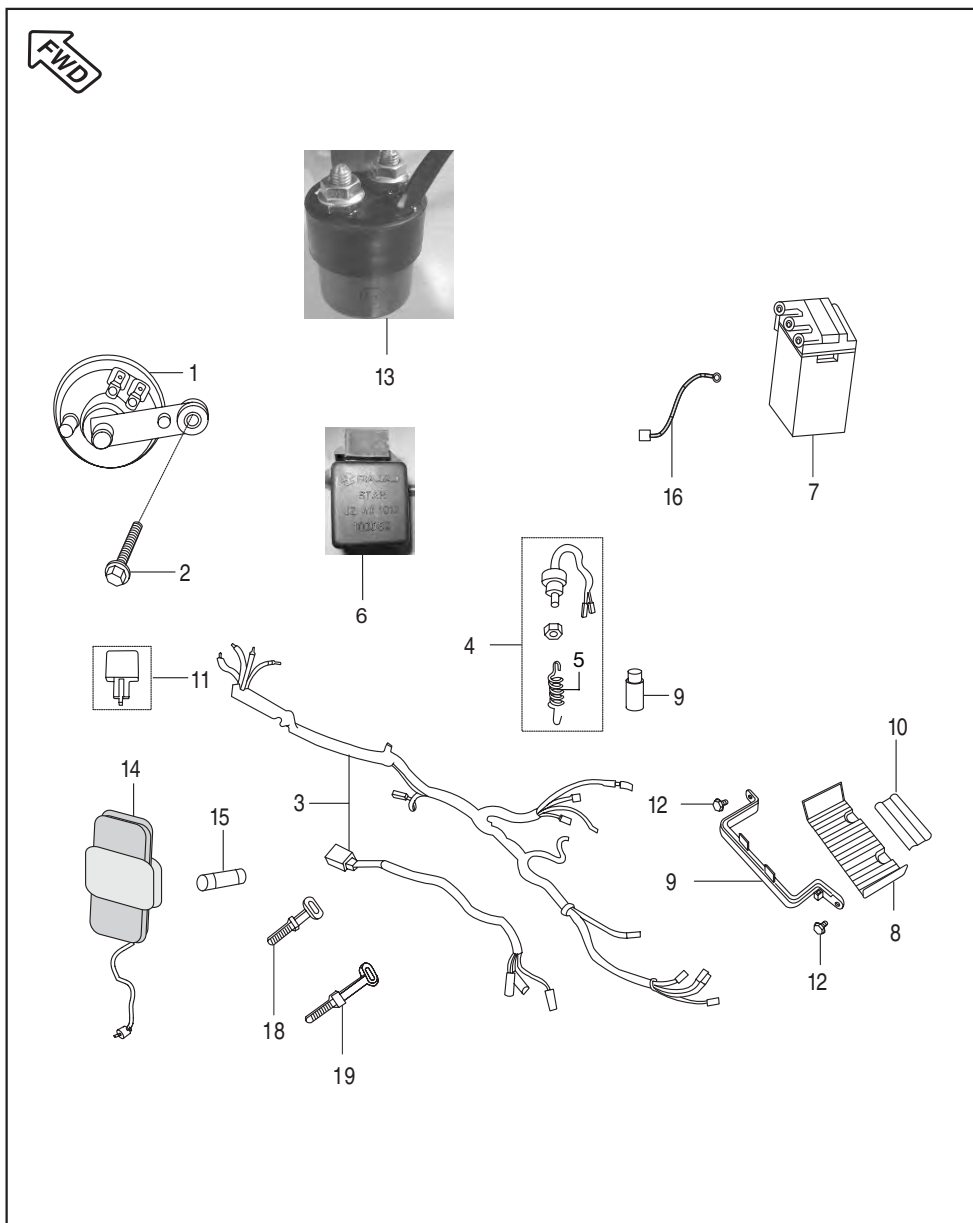
No.	Part No.	Description	DIS 125 DRUM	DIS 125 DISC	DIS 150 DISC	Remarks
1	JZ 4010 00	Indicator Assly Front LH	1	1	1	
2	JZ 4010 01	Indicator Assly Front RH	1	1	1	
3	DJ 2012 06	Indicator Assly Rear LH	1	1	1	
4	DJ 2012 07	Indicator Assly Rear RH	1	1	1	
5	GH 2010 12	Lamp 12 V - 10W	4	4	4	N.I.
6	39 1225 15	Hex Nut with Flange	2	2	2	N.I.
7	31 2010 01	Collar	2	2	2	
8	LA D000 26	Bolt Flange	2	2	2	
9	JZ 1510 24	Blinker Mounting Bracket	1	1	1	
10	39 1943 04	Flange Bolts	2	2	2	

Tail Lamp Assly / Front Number Plate



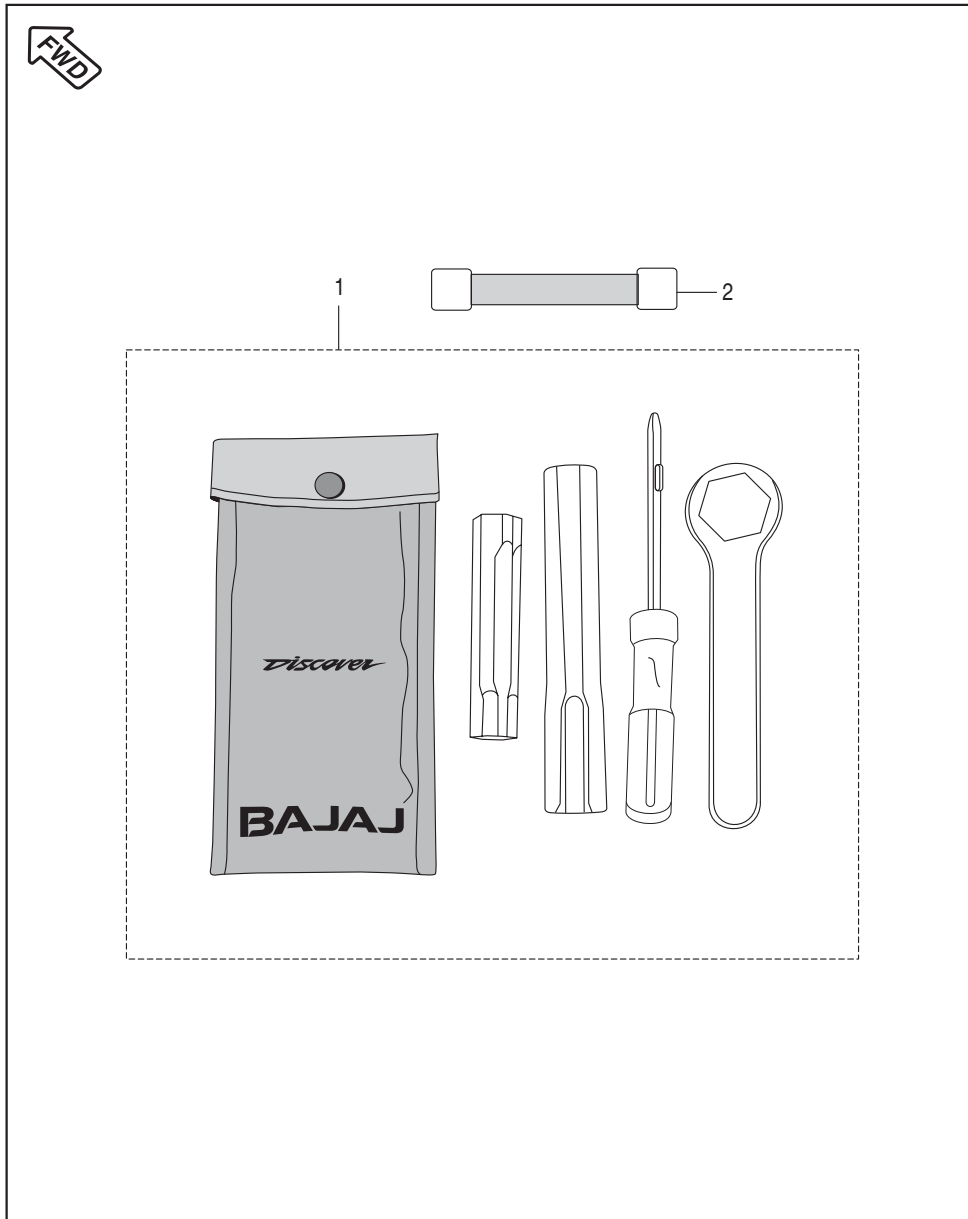
No.	Part No.	Description	DIS 125 DRUM	DIS 125 DISC	DIS 150 DISC	Remarks
1	JZ 4010 06	LED Tail Lamp	1	1	1	
	JZ 4010 45	Tail Lamp with Bulb	1	1	1	from Chs. no. VWB33928 (Cir. A-20)
2	DD 2010 11	Damper	2	2	2	
3	31 2010 01	Collar	2	2	2	
4	39 2124 15	Flange Nut	1	1	1	
5	DJ 1610 72	Bracket Rear No. Plate	1	1	1	
6	39 1553 04	Bolt Flange	2	2	2	
7	DP 1611 45	Number Plate Rear	1	1	1	
8	39 2476 04	Hex Flanged Bolt	2	2	2	
9	DP 1611 44	Number Plate Front	1	1	1	
10	JN 2328 01	Front No. Plate Mtg Bracket	1	1	1	
11	39 1783 01	Truss Screw Front No. Plate	2	2	2	
12	JW 4010 11	No. Plate Lamp with	1	1	1	2 Point Coupler
13	DJ 2010 72	Bulb 12V/ 5W	1	1	1	E Marked
	20 2010 29	Bulb	1	1	1	
14	39 0705 01	Screw	2	2	2	
15	39 0711 11	Plain Washer	2	2	2	
16	39 1211 11	Washer	2	2	2	
17	39 0740 11	Washer (Non Metallic)	4	4	4	
18	39 0746 01	Screw For LED Tail Lamp	4	4	4	
	39 0817 15	Hex Nut	4	4	-	
19	JZ 1810 04	Foam Strip	1	1	1	

Electrical Equipments



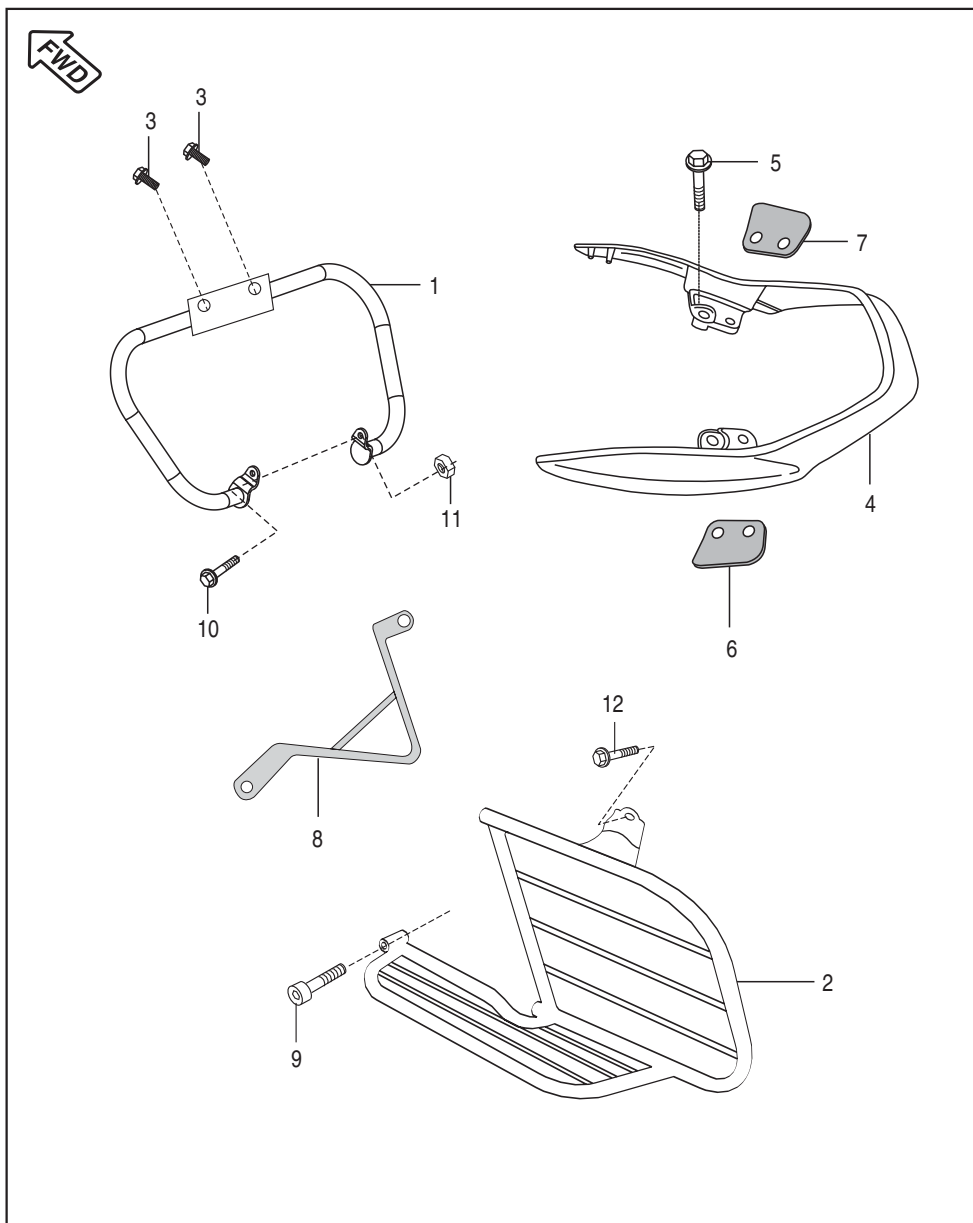
No.	Part No.	Description	DIS 125 DRUM	DIS 125 DISC	DIS 150 DISC	Remarks
1	JZ 4016 00	Horn LH with Stay	1	1	1	
2	39 1945 04	Flange Bolt	1	1	1	N.S
3	JZ 4022 00	Wiring Harness	-	-	1	
	JZ 4022 09	Wiring Harness	1	1	-	
	PA 4022 20	Wiring Harness	1	1	--	Re-introduced
	JZ 4022 60	Wiring Harness	1	1	--	Ref. Cir. IB-226
4	31 2010 79	Rear Brake Switch	1	1	1	
5	DS 1910 07	Spring Brake Switch	1	1	1	
6	JZ 4010 13	Head Lamp Control Unit	1	1	1	
7	DS 2010 82	Battery MF Dry Charged 5 AH	1	1	---	
	JZ 4018 02	Battery MF Dry Charged 7 AH	--	--	1	
8	JZ 4018 00	Base Battery	1	1	1	
	DX 1610 32	Base Battery	1	1	--	Re-introduced
9	JZ 4018 01	Band Battery	1	1	1	
10	DX 1610 45	Battery Arrester	1	1	1	N.S
11	DS 2010 25	Assly DC Flasher	1	1	1	
12	39 2208 04	Bolt Flange	2	2	2	
13	DK 2010 78	Starter Relay	1	1	1	With Grommet
	JK 3516 00	Starter Relay	1	1	--	Re-introduced
14	30 2011 04	Fuse Box Assly	2	2	2	
15	GF 2010 53	Fuse	2	2	2	
16	PA 4022 03	Starter Relay to Motor Relay	1	1	1	
	JK 4022 05	Cable St Relay to Motor	1	1	--	Re-introduced
17	JZ 4022 02	Cable Assly. (Battery to Earth)	--	--	1	N.I.
	JV 4022 05	Cable Assly. (Battery to Earth)	1	1	--	N.I.
18	30 1910 48	Band (Harness)	5	5	5	Length 123 mm
19	30 2010 64	Band (Harness)	3	3	3	Length 149 mm
20	JD 4018 03	Adapter Vent Tube	1	1	1	N.I.
21	39 1942 04	Bolt Flanged	1	1	1	N.I.
22	60 1114 15	Cable Tie Lock	1	1	1	N.I. (Fairing Mtg BKT)
23	60 1114 17	Clip Positive Lock	1	1	1	N.I. (Frame)

Tool Kit



No.	Part No.	Description	DIS 125 DRUM	DIS 125 DISC	DIS 150 DISC	Remarks
1	DJ 2210 19	Tool Kit	1	1	1	
2	DP 2210 11	Band Tool Kit	1	1	1	Re-introduced

Accessories / Grab Handle



No.	Part No.	Description	DIS 125 DRUM	DIS 125 DISC	DIS 150 DISC	Remarks
1	JZ 2312 01	Leg Guard	1	1	1	
2	JZ 2312 02	Saree Guard	1	1	1	
3	39 1556 04	Bolt Flange	2	2	2	
4	DS 1611 88	Grab Handle with Foam	1	1	1	
5	39 1681 04	Flange Bolt	4	4	4	For Mtg Grab Handle
6	DJ 1610 79	Foam LH	1	1	1	
7	DJ 1610 80	Foam RH	1	1	1	
8	JZ 2312 04	Small Saree Guard	1	1	1	
9	39 2495 04	Socket Head Bolt	1	1	1	
10	JA 1134 04	Flange Bolt	1	1	1	
11	39 197015	Hex Nut	1	1	1	
12	39 2731 04	Bolt Flange	1	1	1	

Kit List Discover 125

Sr No	Kit Part No.	Kit Description	Consisting of Following Parts		
			Part No.	Description	Qty/Kit
1	36JE0002	Piston Ring Set	JE521202	Ring Piston Top	1
			JE521203	Ring Piston Second	1
			JE521204	Ring Piston Oil	1
2	36JZ0031	Jet Kit	JZ581234	Needle Jet	1
			JZ581230	Holder Needle Jet	1
			JZ581231	Jet Main	1
			JZ581233	Jet Pilot	1
3	36JZ0032	Throttle Valve Kit Disco 125	JZ581232	Valve Piston	1
			DD121054	E-Ring	1
			JZ581211	Holder	1
			DD121055	Spring Compression	1
			JZ581223	Packing	1
			JZ581222	Jet Needle	1
			24121370	Ring	1
4	36JZ0026	Chain Sprocket Kit Disco 125	DJ151086	Sprocket Hub (43T)	1
			JZ551004	Sprocket Drive (14T)	1
			JZ141003	Chain 120 Link - 420 Series	1
5	36JZ0037	Kit Friction Plate Disco 125	Jz551416	Plate Friction	5

Kit List Discover 150

Sr No	Kit Part No.	Kit Description	Consisting of Following Parts		
			Part No.	Description	Qty/Kit
1	36JZ0001	Valve Kit	JZ511200	Valve Intake	1
			JZ511201	Valve Exhaust	1
2	36JZ0004	Valve Repair Kit	39201719	Seat Valve Stem	2
			DG101029	Cotter Valve	2
			JA511203	Retainer Valve Spring	2
			28101129	Seat Valve Spring	2
			JZ511202	Spring Washer	2
3	36JE0003	Kit Guide Cam Chain	JW541012	Guide Cam Chain (Slack Side)	1
			JA521002	Guide Cam Chain (Tight Side)	1
4	36JZ0005	Piston Ring Set	JZ521204	Ring Piston Top	1
			JZ521205	Ring Piston Second	1
			JZ521206	Ring Piston Oil	1
5	36DU1007	Boss Kick Set	30101233	Boss Kit	1
			30101234	Spring	1
			30101236	Ball Steel	1
			30101235	Pin	1
			39085517	E - Type Clip	1
6	36JZ0017	Jet Kit	Jz581213	Needle Jet	1
			JZ581219	Holder Needle Jet	1
			JZ581218	Jet Main	1
			JZ 581214	Jet Pilot	1
7	DH121169	Pilot Screw Kit	DH121131	Screw Adjuster	1
			DH121130	'O' - Ring	1
			DH121186	Spring Compr Coil	1
			DH121187	Plain Washer	1
			DH121188	'O' - Ring	1

Kit List Discover 150

Sr No	Kit Part No.	Kit Description	Consisting of Following Parts		
			Part No.	Description	Qty/Kit
8	36JZ0016	Idling Screw Kit	JZ581217	Screw Stop	1
			DH121130	'O' - Ring	1
			CB121044	Spring Compression	
9	36DS2101	Seat Damper Kit	DS211004	Damper Seat - I	7
			DS211005	Damper Seat - II	2
10	36DS1802	Bearing Cone Kit	DH181025	Bearing cone	1
			DH181026	Bearing race	1
			DH181024	Upper bearing race	1
			DS211004	Seat Damper	1
11	36DS1801	Holder Handle Set	DS181019	Holder Handle	2
			DS181006	Holder Handle	2
12	36DS1401	Grommet Kit - Side Cover	DS141012	Grommet Side Cover Front	2
			DS161082	Grommet Side Cover Rear	2
14	36DS4020	Case Chain Kit	DS161269	Case Chain Upper Assly.	1
			DS161270	Case Chain Lower Assly.	1
15	36JZ0019	Throttle Valve Kit	JZ581221	Valve Piston	1
			DD121054	E-Ring	1
			JZ581222	Holder	1
			DD121055	Spring Compression	1
			JZ581215	Packing	1
			JZ581222	Jet Needle	1
			24121370	Ring	1
16	36JZ0021	Carb. Gasket- 'O' Ring Kit	JA581232	Gasket Float Chamber	1
			DH121130	'O' - Ring Idling Screw	2
			JA581240	'O' - Ring Auto Choke	1
			DH121118	'O' Ring Drain screw	1
			JA581238	'O' Ring TPS	1

Kit List Discover 150

Sr No	Kit Part No.	Kit Description	Consisting of Following Parts		
			Part No.	Description	Qty/Kit
17	36JZ0007	Chain Sprocket Kit Disco 125	DJ151086	Sprocket Hub (43T)	1
			JZ551004	Sprocket Drive (14T)	1
			DS151082	Chain 120 Link - 420 Series	1
18	36JZ0014	Set Primary Drive & Driven	JZ551410	Housing Complete Clutch	1
			JZ531006	Gear Primary Drive	1
19	36JZ0008	Starter Clutch Repair Kit	JA621411	Bush Spring Starter Clutch	5
			DH101163	Roller Clutch	5
			DH101164	Spring	5
			DJ101109	Bush For Spring Starter Clutch	5
20	36JZ0020	Cable Adjuster Kit	JA581315	Nut	1
			JA581261	Cable Adjuster	1
			JZ531215	Mixing Cap Assembly	1
21	36JE0005	Friction Plate Kit	DP101110	Plate Friction	4
			DP101109	Plate Friction	1

SPC Updation Details

Page no.	Fig. no.	Old part no.	New part no.	Description	Updation date	Remarks
106	3	JZ402200	PA402211	WIRING HARNESS	13.02.12	RATIONALIZATION OF WIRING HARNESS
106	3	JZ402209	PA402211	WIRING HARNESS	13.02.12	-----"DO"-----
106	23	-----	60111415	GUIDE TIE LOCK	13.02.12	-----"DO"-----
106	24	-----	60111417	CLIP POSITIVE LOCK	13.02.12	-----"DO"-----
80	23	JZ151023	PA151007	HOLDER FORK UPPER	27.08.13	ALTERNATE
82	10	JZ151023	PA151007	HOLDER FORK UPPER	27.08.13	ALTERNATE
8	11	JA521019	39167304	FLANGE BOLT	25.03.14	ALTERNATE
8	10	JA521018	DD101062	BOLT	25.03.14	ALTERNATE
8	4	39219804	DH101387	BOLT ALLEN BOLT	25.03.14	ALTERNATE
12	4	JZ531003	JE531000	CRANKSHAFT ASSLY	25.03.14	ALTERNATE
14	18	JZ551004	36JZ0007	SPROCKET DRIVE	25.03.14	ALTERNATE
18	12	JA561211	39190204	FLANGE BOLT	25.03.14	ALTERNATE
18	1	JW561205	52JZ0264	LEVER COMPLETE GEARSHIFT	25.03.14	ALTERNATE
20	12	JA541014	52JA0029	BOLT SHIFT CHANGE	25.03.14	ALTERNATE
22	20	JA541032	JA541019	STRAINER ASSLY.	25.03.14	ALTERNATE
24	22	JA521019	39167304	BOLT FLANGE	25.03.14	ALTERNATE
24	1	36JZ0013	36JZ0025	CLUTCH COVER	25.03.14	ALTERNATE
28	11	DP101116	39155304	BOLT FLANGE	25.03.14	ALTERNATE
28	14	JA531007	52JA0028	NUTS SPECIAL	25.03.14	ALTERNATE
28	10	JB551412	JB551406	HOLDER CLUTCH	25.03.14	ALTERNATE
34	18	JA521019	39167304	FLANGE BOLT	25.03.14	ALTERNATE
34	17	DX121006	JZ581029	O'RING	25.03.14	ALTERNATE
36	3	JA591040	39229515	FLANGE NUT	25.03.14	ALTERNATE
42	3	39167504	39167404	BOLT FLANGE	25.03.14	ALTERNATE
42	4	DH101360	DH101432	PAN HEAD SCREW	25.03.14	ALTERNATE
56	3	JB181412	39107504	FLANGE BOLT	25.03.14	ALTERNATE
56	16	39242001	39169801	SCREW	25.03.14	ALTERNATE
60	1	JD131002	JD131000	WHEEL RIM FRONT	25.03.14	ALTERNATE
60	4	JW131210	JW131205	WHEEL RIM REAR	25.03.14	ALTERNATE
62	13	JB131019	59150003	U'NUT	25.03.14	ALTERNATE
62	11	JN131003	DS151058	SPACER	25.03.14	ALTERNATE
64	12	DE201016	DJ201100	FRONT BRAKE SWITCH	25.03.14	ALTERNATE
66	2	DJ161280	DH151039	BOLT CALIPER MTG	25.03.14	ALTERNATE
68	19	39026312	39073212	WASHER SPRING	25.03.14	ALTERNATE
68	1	JB131019	59150003	UNUT (M12)	25.03.14	ALTERNATE
70	24	30151042	39024211	WASHER PLAIN	25.03.14	ALTERNATE
72	19	30151012	30151011	CAMBRAKE	25.03.14	ALTERNATE
72	3	LCA00001	39080115	NUT	25.03.14	ALTERNATE
72	4	LDB00002	39256711	PLAIN WASHER	25.03.14	ALTERNATE
78	13	39171404	39258204	FLANGE BOLT	25.03.14	ALTERNATE
80	22	39191204	39245304	FLANGE BOLT	25.03.14	ALTERNATE
82	11	DH181023	30181009	BEARING CONE	25.03.14	ALTERNATE
86	6	52JZ0055	52JZ0018	HEADLAMP BLACK COWLING	25.03.14	ALTERNATE
88	6	DD141022	DD141227	BOLT FLANGED	25.03.14	ALTERNATE
88	8A	39275821	DK141028	O'RING	25.03.14	ALTERNATE
88	12	30141015	DK141041	PIPE CLIP	25.03.14	ALTERNATE
88	4	DS141018	JZ171809	FUEL TAP ASSLY	25.03.14	ALTERNATE
92	8	DL191020	DH191037	BULB 12V-3W	25.03.14	ALTERNATE
96	3	JB181239	DH161283	BOLT	25.03.14	ALTERNATE
100	34	JZ181002	JZ181006	DAMPER ASSLY (N.I.)	25.03.14	ALTERNATE
106	4	DS201029	31201079	REAR BRAKE SWITCH	25.03.14	ALTERNATE
106	6	JB401013	JZ401013	HEADLAMP CONTROL UNIT	25.03.14	ALTERNATE
108	1	JN231000	DJ221019	TOOLKIT	25.03.14	ALTERNATE
108	2	DP221024	DP221011	BAND TOOLKIT	25.03.14	ALTERNATE

Page no.	Fig. no.	Old part no.	New part no.	Description	Updation date	Remarks
82	1	N/A	JZ151073	FRONT FORK	05.06.14	UPDATION
RE-INTRODUCED DISCOVER 125 SERVICEABLE PARTS ADDED WITH REFERENCE TO EC NO. U15JZCHA1180						
16	7	JD561002	JE561005	CAM DRUM CHANGE	02.11.15	REF. CIR. NO. IB-186
8	15	39268320	JE511049	BEARING BALL	27.04.16	REF. CIR. NO. IB-221
114	3	PA402220	JZ402260	WIRING HARNESS	06.05.16	IB-226
32	1	JZ581227	JZ581240	MANUAL CHOKE CARBURETOR	06.05.16	IB-226
42	7	JZ351206	JZ351214	CDI MANUAL CHOKE	06.05.16	IB-226
94	9	36JZ0151	JZ233495	TANK 3D DECAL	26.08.16	REF. CIR. IB-245
60	3	PF131222	PA131274	WHEEL RE SILVER (5 SP)	03.10.2016	REF. CIR. IB-256
60	3	JZ131265	PA131241	WHEEL DRUM	03.10.2016	REF. CIR. IB-256
60	1	JZ131041	PA131021	WHEEL FR SILVER	03.10.2016	REF. CIR. IB-256
60	1	JZ131042	PA131019	WHEEL FR WHEEL DRUM	03.10.2016	REF. CIR. IB-256

Parts Index

Part Number	Figure No.	Page No.	Part Number	Figure No.	Page No.
14151021	10	68	30191035	10	76
14151033	23	24	30191036	12	76
14151033	15	28	30191038	7	76
15161069	2	104	30191048	20	80
15191026	11	76	30191048	18	114
20201029	13	112	30201064	19	114
22150241	4	30	30201104	14	114
24121069	16	32	31101173	3	12
24121365	7	32	31161018	9	98
30101096	6	28	31181102	22	82
30101142	4	24	31201001	7	110
30101195	11	26	31201001	3	112
30141031	9	54	31201079	4	114
30141031	3A	96	31201081	5	22
30151005	14	68	35161060	6	106
30151005	21	74	36314002	5	48
30151011	11	68	39007104	10	34
30151011	19	74	39019811	8	76
30151033	1	62	39021111	7	56
30151035	23	70	39021911	25	108
30151038	13	68	39024011	13	28
30151038	20	74	39024211	14	56
30151041	6	62	39024211	24	70
30151069	9	68	39025811	4	50
30151069	16	72	39029215	16	50
30151075	13	72	39029215	22	76
30151096	18	76	39032615	11	56
30151105	8	68	39042215	9	58
30151105	17	72	39042215	18	78
30151118	20	70	39045411	11	50
30181009	11	82	39045411	9	106
30181025	4	82	39055302	10	50
30181026	3	82	39059417	12	8

Parts Index

Part Number	Figure No.	Page No.	Part Number	Figure No.	Page No.
39069415	16	76	39099206	2	16
39070501	14	112	39099311	5	30
39071111	15	112	39099906	12	22
39072211	19A	74	39099906	24	24
39073212	19	70	39099906	4	38
39073817	6	30	39100006	2	10
39074011	7	96	39100006	6	20
39074011	17	112	39100006	11	22
39074601	4	42	39100120	15	28
39074601	18	112	39101321	25	70
39074701	9	22	39104011	10	54
39075301	3	38	39104119	3	24
39076101	2	96	39105411	7	98
39077504	15	68	39106504	2	26
39078408	7	54	39107504	3	56
39078912	15	76	39118101	14	82
39078912	13	82	39121111	16	112
39079415	9	72	39122515	6	110
39079708	3	58	39128321	8	4
39079815	6	56	39128321	12	4
39079815	17	68	39135815	13	50
39079815	28	74	39150811	32	108
39079815	9	100	39150811	35	108
39079815	33	108	39154011	19	76
39080115	3	72	39155304	11	28
39080708	17	76	39155304	6	112
39080808	9	76	39155604	3	46
39081715	8	18	39155604	3	118
39081715	18	112	39167121	20	24
39084001	18	68	39167204	21	76
39098004	11	28	39167304	11	8
39098308	6	98	39167304	17	24
39098717	3	14	39167304	22	24

Parts Index

Part Number	Figure No.	Page No.	Part Number	Figure No.	Page No.
39167304	18	34	39197015	11	118
39167304	10	40	39198104	20	14
39167404	3	42	39201719	6	6
39167704	19	34	39206004	10	48
39168004	3	76	39206004	18	50
39168104	5	118	39206004	26	108
39169801	15	56	39212415	4	112
39171519	4	22	39214124	3	106
39174004	10	20	39214124	31	108
39175904	17	22	39217924	3	96
39176511	11	34	39219019	7	22
39177802	10	106	39220011	12	28
39177902	15	34	39220804	15	24
39178301	11	112	39220804	12	114
39178924	5	98	39223801	7	106
39179701	10	34	39224020	6	72
39186420	5	12	39229515	3	36
39188020	16	8	39231004	2	52
39190204	12	18	39240817	12	30
39190204	4	44	39242704	28	80
39190204	22	80	39244311	9	24
39190701	30	108	39244704	15	68
39194204	21	114	39244704	23	74
39194304	12	42	39247604	8	112
39194304	9	56	39248415	10	96
39194304	3	98	39249211	8	36
39194304	20	106	39249504	9	118
39194304	28	108	39256220	2	22
39194304	10	110	39256711	4	72
39194504	2	114	39258204	13	78
39196104	29	108	39260011	3	28
39196404	14	20	39260801	10	4
39197015	5	46	39262921	11	4

Parts Index

Part Number	Figure No.	Page No.	Part Number	Figure No.	Page No.
39266921	13	8	59210024	17	14
39268020	5	68	60111415	22	114
39268120	7	68	60111417	23	114
39268320	15	8	36DH4014	23	76
39268620	12	72	36DK0009	11	36
39268720	15	72	36DS1401	1	98
39268820	2	62	36DS1502	22	70
39270411	7	18	36DS1801	11	78
39272204	9	36	36DS1802	4	48
39272204	8	54	36DS2101	2	44
39272315	2	46	36DS4020	1	104
39272612	8	50	36DU1007	3	30
39273104	12	118	36DU1504	17	62
39275404	7	36	36Dz0020	2	82
59010005	23	108	36JE0002	3	10
59040006	7	82	36JE0003	6	8
59040014	15	42	36JE0005	4	28
59040034	11	48	36JZ0001	4	6
59040038	2	2	36JZ0002	5	10
59040038	11	20	36JZ0004	5	6
59040038	16	22	36JZ0005	3	10
59040038	17	24	36JZ0007	2	72
59040038	4	26	36JZ0008	6	40
59040050	8	2	36JZ0009	2	20
59110008	2B	12	36JZ0010	1	4
59120003	2A	12	36JZ0011	1	22
59150003	13	62	36JZ0012	1	36
59150003	1	68	36JZ0014	7	12
59150014	1	12	36JZ0014	16	28
59200036	3	20	36JZ0015	1	26
59200036	3	22	36JZ0016	5	32
59210023	14	22	36JZ0017	4	32
59210023	18	22	36JZ0019	14	32

Parts Index

Part Number	Figure No.	Page No.	Part Number	Figure No.	Page No.
36JZ0020	2	32	36JZ0067	10	90
36JZ0021	15	32	36JZ0068	10	90
36Jz0022	14	96	36JZ0069	10	90
36JZ0023	7	12	36JZ0069	10	90
36JZ0023	16	28	36JZ0070	10	90
36JZ0024	5	10	36JZ0084	7	88
36JZ0025	1	24	36JZ0085	9	90
36JZ0026	2	72	36JZ0086	8	88
36JZ0027	1	4	36JZ0087	10	90
36JZ0028	1	22	36JZ0087	11	90
36JZ0030	1	36	36JZ0088	10	90
36JZ0031	4	32	36JZ0088	11	90
36JZ0032	14	32	36JZ0147	7	92
36JZ0037	4	28	36JZ0148	7	92
36JZ0038	4	100	36JZ0149	7	92
36JZ0039	3	100	36JZ0150	7	92
36JZ0041	9	88	36JZ0151	9	94
36JZ0042	9	88	36JZ0152	8	94
36JZ0047	9	88	36JZ0153	8	94
36JZ0048	9	88	36JZ0154	8	94
36JZ0049	9	88	36JZ0155	8	94
36JZ0050	9	90	36JZ0156	10	94
36JZ0051	8	88	36JZ0157	10	94
36JZ0052	8	88	36JZ0158	10	94
36JZ0057	8	88	36JZ0159	10	94
36JZ0059	8	88	36JZ0160	11	94
36JZ0060	8	88	36JZ0161	11	94
36JZ0061	8	88	36JZ0162	11	94
36JZ0062	10	90	36JZ0163	11	94
36JZ0063	10	90	36JZ0165	1	4
36JZ0064	10	90	36JZ0166	5	10
36JZ0065	10	90	36JZ0167	1	22
36JZ0066	10	90	36JZ0168	2	20

Parts Index

Part Number	Figure No.	Page No.	Part Number	Figure No.	Page No.
52JA0027	9	20	52JZ0926	6	92
52JA0028	14	28	52JZ0927	6	92
52JA0029	12	20	52JZ0928	6	92
52JE0017	1	26	52JZ0929	6	92
52JE0018	1	24	52JZ0938	4	92
52JZ0014	2	86	52JZ0939	4	92
52JZ0015	3	86	52JZ0940	4	92
52JZ0018	6	88	52JZ0941	4	92
52Jz0018	6	88	52JZ0946	2	92
52JZ0020	2	86	52JZ0947	2	92
52JZ0021	3	86	52JZ0948	2	92
52JZ0023	6	88	52JZ0949	2	92
52JZ0050	3	86	52JZ0950	3	92
52JZ0051	2	86	52JZ0951	3	92
52Jz0052	3	86	52JZ0952	3	92
52JZ0053	2	86	52JZ0953	3	92
52JZ0054	6	88	52JZ0960	1	104
52JZ0055	6	88	56JZ053E	5	92
52JZ0097	2	86	AA121045	13	4
52JZ0098	3	86	BF561219	6	18
52JZ0099	4	86	CB101114	2	36
52JZ0100	6	88	CB121039	8	32
52JZ0115	2	86	CB121042	8	32
52JZ0116	3	86	CL201023	12	106
52JZ0118	6	88	CL201042	7	100
52JZ0236	2	86	CS101128	9	8
52JZ0237	3	86	DD101062	10	8
52JZ0241	6	88	DD101097	13	30
52Jz0264	1	18	DD111011	10A	42
52JZ0922	1	92	DD111012	11	42
52JZ0923	1	92	DD111018	8	42
52JZ0924	1	92	DD111048	9	42
52JZ0925	1	92	DD121181	19	24

Parts Index

Part Number	Figure No.	Page No.	Part Number	Figure No.	Page No.
DD141227	6	96	DH101048	5	8
DD161071	12	36	DH101125	14	30
DD161381	5	54	DH101380	8	20
DD191142	3	64	DH101387	4	8
DD191142	30	80	DH101388	7	26
DD201011	2	112	DH101392	7	8
DD201170	31	80	DH101509	10	18
DE151006	3	62	DH101648	14	28
DE151008	5	62	DH101781	2	40
DE151012	4	62	DH101784	6	22
DE151015	11	64	DH111013	10B	42
DE151037	6	66	DH111015	9	42
DE151043	7	66	DH121038	12	34
DE151045	8	66	DH121169	3	32
DE151046	4	66	DH151029	14	76
DE151047	5	66	DH151039	2	66
DE151048	3	66	DH161100	6	54
DE191010	5	64	DH161121	4	58
DE191028	14	64	DH161145	5	58
DE191029	13	64	DH161146	11	58
DE191030	10	64	DH161194	5	52
DE191031	8	64	DH161240	7	58
DE191032	9	64	DH161283	3	104
DE191033	6	64	DH181014	3	48
DE191034	7	64	DH181022	27	80
DE191036	15	64	DH191037	8	100
DF161102	8	58	DJ141008	8	98
DF161413	4	52	DJ151033	11	72
DG101029	3	6	DJ151035	5	72
DG101418	7	24	DJ151036	14	50
DG121002	8	34	DJ151037	15	50
DG161121	2	98	DJ151047	19	50
DG191045	4	76	DJ151053	1	72

Parts Index

Part Number	Figure No.	Page No.	Part Number	Figure No.	Page No.
DJ151057	18	62	DK151094	14	72
DJ151072	7	66	DK201078	13	114
DJ151073	8	66	DL191014	19	78
DJ151074	9	66	DP101107	5	28
DJ151075	10	66	DP101111	6	28
DJ151088	14	72	DP101114	17	28
DJ151092	18	72	DP101165	4	10
DJ161069	10	56	DP101198	7	4
DJ161072	5	112	DP101243	7	28
DJ161079	6	118	DP101269	6	24
DJ161080	7	118	DP161144	9	112
DJ161122	4	54	DP161145	7	112
DJ161128	11	54	DP161260	8	48
DJ161129	3	54	DP171006	7	48
DJ171033	27	74	DP171006	21	50
DJ171034	20	50	DP221011	2	116
DJ181104	6	82	DS101117	8	30
DJ191023	1	64	DS101154	6	12
DJ191054	4A	78	DS101215	8	24
DJ191055	6	78	DS101276	3	8
DJ191081	4A	78	DS109905	14	8
DJ191083	6	78	DS121116	2	34
DJ201072	13	112	DS121117	6	34
DJ201100	12	64	DS121126	7	34
DJ201108	16	64	DS141009	1	96
DJ201206	3	110	DS141013	9	96
DJ201207	4	110	DS151025	13	76
DJ221003	9	78	DS151030	4	60
DJ221004	10	78	DS151038	7	62
DJ221019	1	116	DS151047	2	60
DK101569	4	64	DS151051	4	60
DK141028	8A	96	DS151056	3	68
DK141041	12	96	DS151058	11	62

Parts Index

Part Number	Figure No.	Page No.	Part Number	Figure No.	Page No.
DS151068	7	72	DS191007	5	114
DS151069	12	68	DS191011	5	76
DS151069	18	72	DS191015	5	78
DS151073	8	72	DS191016	26	80
DS151074	10	72	DS191018	12	78
DS151087	12	68	DS191038	29	80
DS151089	11	68	DS191052	8	78
DS151090	21	74	DS191053	3	102
DS151091	14	68	DS191054	4	102
DS151092	16	68	DS201025	11	114
DS151094	17	68	DS201036	13	106
DS151094	28	74	DS201079	8	96
DS161069	13	34	DS201082	7	114
DS161077	6	58	DS211006	3	44
DS161112	2	58	DU101085	7	20
DS161113	1	58	DU101213	19	14
DS161125	1	56	DU201046	24	80
DS161188	4	118	DX121011	5	34
DS161287	5	56	DX151022	25	74
DS171007	9	50	DX151081	1	72
DS171013	12	50	DX161032	8	114
DS171014	17	50	DX161045	10	114
DS171015	6	50	DX161052	4	104
DS181007	14	78	DX191001	25	80
DS181008	15	78	DZ141075	13	96
DS181009	16	78	FD101078	3	38
DS181010	17	78	GF201053	15	114
DS181012	21	82	GH201012	5	110
DS181015	8	82	JA113402	6	46
DS181016	9	82	JA113403	1	46
DS181016	15	82	JA113404	10	118
DS181018	2	48	JA131606	26	70
DS181044	1	78	JA151013	5	82

Parts Index

Part Number	Figure No.	Page No.	Part Number	Figure No.	Page No.
JA161003	1	76	JA541044	2	26
JA351600	7	40	JA541205	3	26
JA351602	11	40	JA541211	11	24
JA351606	9	40	JA541211	21	24
JA351608	12	40	JA541212	16	24
JA351609	13	40	JA541216	14	24
JA351618	14	40	JA541221	8	26
JA351619	15	40	JA541225	12	24
JA351624	8	40	JA541233	10	26
JA351626	9	40	JA541233	13	26
JA351627	11	40	JA541235	10	20
JA511008	4	2	JA541236	9	24
JA511028	2	4	JA541237	10	24
JA511029	7	2	JA551002	4	14
JA511211	1	6	JA551004	7	14
JA511216	2	8	JA551008	15	14
JA521015	8	10	JA551009	16	14
JA521017	8	8	JA551406	2	28
JA531012	8	12	JA551416	12	28
JA531015	9	12	JA551420	13	28
JA541005	8	22	JA561209	6	18
JA541005	9	26	JA581221	6	32
JA541010	5	20	JA581232	21	32
JA541011	4	20	JA581233	9	32
JA541012	13	20	JA581239	10	32
JA541016	2	38	JA581240	11	32
JA541019	13	22	JA581314	17	32
JA541019	20	22	JA581406	5	4
JA541020	18	22	JA621002	9	30
JA541021	15	22	JA621006	11	30
JA541027	19	22	JA621201	1	30
JA541028	14	42	JA621206	2	30
JA541034	10	22	JA621402	4	40

Parts Index

Part Number	Figure No.	Page No.	Part Number	Figure No.	Page No.
JA621406	5	40	JD401803	20	114
JA621410	3	40	JD511008	3	4
JA621414	1	40	JD511010	3	2
JB113005	10	36	JD521002	1	10
JB122009	7	50	JD531004	11	12
JB122010	2B	50	JD541000	19	22
JB122011	2A	50	JD551400	18	28
JB122016	1	50	JD561004	5	16
JB131017	12	62	JD561006	4	16
JB131017	1A	68	JD561011	3	16
JB131018	10	62	JD561203	4	18
JB131018	2	68	JD561204	5	18
JB131022	4	68	JD621001	7	30
JB131224	23	74	JE351002	1	42
JB171802	11	96	JE351203	5	42
JB181403	12	56	JE351204	6	42
JB181416	2	56	JE511049	15	8
JB181421	2	56	JE531000	4	12
JB401400	2	78	JE531001	5	12
JB401401	3	78	JE541008	14	30
JB402202	7	10	JE541209	13	24
JB511018	9	4	JE541210	6	26
JB531021	10	12	JE541211	2	24
JB551406	10	28	JE541212	13	26
JB551408	5	28	JE541214	10	24
JB551411	8	28	JE551201	5	14
JB581202	12	32	JE551206	10	14
JB581204	13	32	JE551206	11	14
JB591059	6	36	JE551401	6	24
JD131810	9	62	JE551403	8	28
JD131811	8	62	JE551405	10	28
JD131813	1	66	JE561005	7	16
JD351206	16	42	JE591002	2	36

Parts Index

Part Number	Figure No.	Page No.	Part Number	Figure No.	Page No.
JG571024	20	22	JN191000	1	44
JH561404	11	18	JN232801	10	112
JK121007	18	82	JP351007	2	42
JK121009	20	82	JV351600	7	40
JK351600	13	114	JV402205	17	114
JK402000	13	42	JV521003	8	8
JK402205	16	114	JV541006	15	22
JN113200	10	58	JV541208	5	24
JN122000	3	50	JV541209	18	24
JN122006	5	50	JW131801	1	66
JN131211	24	74	JW131805	2	64
JN131800	2	64	JW131806	9	62
JN131804	17	64	JW131807	6	66
JN131812	8	68	JW131809	9	66
JN131812	17	72	JW131810	11	66
JN171000	4	98	JW151005	16	82
JN181001	1	106	JW151007	17	82
JN181003	16	106	JW151023	19	82
JN181004	24	108	JW181241	14	62
JN181005	11	106	JW233000	12	26
JN181010	5	106	JW351400	6	10
JN181011	5	106	JW401011	12	112
JN181014	11	100	JW541000	18	24
JN181017	17	106	JW541005	5	24
JN181018	18	106	JW561206	2	18
JN181019	14	106	JW561208	3	18
JN181019	36	108	JW591028	5	36
JN181021	19	106	JZ111029	1	48
JN181023	21	108	JZ111310	1	48
JN181024	22	108	JZ113001	1	52
JN181206	14	62	JZ113011	3	52
JN181211	15	62	JZ113015	1	54
JN181406	12	100	JZ113017	2	54

Parts Index

Part Number	Figure No.	Page No.	Part Number	Figure No.	Page No.
JZ113400	8	46	JZ151024	9	110
JZ113402	10	46	JZ151036	12	82
JZ113403	9	46	JZ151043	1	82
JZ113405	11	46	JZ151057	1	82
JZ113407	12	46	JZ151059	17	82
JZ121055	1	82	JZ151061	16	82
JZ121056	1	82	JZ151073	1	82
JZ121057	23	84	JZ161002	2	76
JZ121058	24	84	JZ161004	6	76
JZ121059	16	82	JZ161006	20	76
JZ121060	17	82	JZ161023	4	78
JZ121061	23	84	JZ161202	1	102
JZ121062	24	84	JZ161203	2	102
JZ121063	16	82	JZ161204	3	102
JZ121064	17	82	JZ161210	3	102
JZ131011	1	60	JZ161221	1	102
JZ131012	1	60	JZ171809	4	96
JZ131014	1	60	JZ171822	11	96
JZ131041	1	60	JZ181003	4	106
JZ131042	1	60	JZ181004	37	108
JZ131206	3	60	JZ181004	19	112
JZ131213	3	60	JZ181006	34	108
JZ131265	3	60	JZ181200	2	100
JZ131601	18	62	JZ181206	2	106
JZ131611	18	62	JZ181208	27	108
JZ131803	22	74	JZ181401	8	56
JZ131891	16	68	JZ181402	4	56
JZ131891	22	74	JZ181406	13	56
JZ151000	1	82	JZ191006	1	44
JZ151004	16	82	JZ231201	1	118
JZ151006	17	82	JZ231202	2	118
JZ151023	23	80	JZ231204	8	118
JZ151023	10	82	JZ232600	21	80

Parts Index

Part Number	Figure No.	Page No.	Part Number	Figure No.	Page No.
JZ232600	5	96	JZ501009	1	20
JZ233000	7	88	JZ511004	1	8
JZ233012	7	88	JZ511016	3	4
JZ233024	7	88	JZ511021	1	2
JZ233036	7	88	JZ511029	1	2
JZ233070	7	88	JZ511203	2	6
JZ233086	7	88	JZ531007	4	12
JZ233495	9	94	JZ541202	5	26
JZ351001	1	42	JZ541214	21	24
JZ351205	7	42	JZ541235	1	26
JZ351206	7	42	JZ541235	5	26
JZ351214	7	42	JZ541237	12A	26
JZ401000	1	110	JZ541237	13	26
JZ401001	2	110	JZ551001	1	14
JZ401006	1	112	JZ551003	8	14
JZ401012	8	106	JZ551004	18	14
JZ401013	6	114	JZ551006	1	14
JZ401015	15	106	JZ551008	8	14
JZ401045	1	112	JZ551010	1	14
JZ401403	7	78	JZ551200	6	14
JZ401600	1	114	JZ551201	5	14
JZ401800	8	114	JZ551202	2	14
JZ401801	9	114	JZ551203	5A	14
JZ401802	7	114	JZ551204	14	14
JZ402200	3	114	JZ551205	13	14
JZ402202	17	114	JZ551206	9A	14
JZ402209	3	114	JZ551207	11	14
JZ402260	3	114	JZ551208	12	14
JZ402403	1	100	JZ551209	10	14
JZ402406	3	100	JZ551210	9	14
JZ402407	4	100	JZ551211	10	14
JZ501000	1	20	JZ551212	11	14
JZ501001	1	20	JZ551213	5A	14

Parts Index

Part Number	Figure No.	Page No.	Part Number	Figure No.	Page No.
JZ551409	1	28	JZ71015B	1	86
JZ551412	9	28	JZ71015D	1	86
JZ551413	1	28	JZ71015E	1	86
JZ551415	9	28	JZ73033B	4	86
JZ561000	1	16	JZ73033C	4	86
JZ561002	6	16	JZ73033F	4	86
JZ561415	9	18	JZ73035A	4	86
JZ571000	1	38	JZ73035B	4	86
JZ571001	5	38	JZ73035E	4	86
JZ581004	6	2	JZ73043B	5	88
JZ581004	9	34	JZ73043B	5	92
JZ581006	14	34	JZ73043F	4	88
JZ581007	1	34	JZ73045A	4	86
JZ581009	16	34	JZ73045B	4	86
JZ581010	3	34	JZ73045D	4	86
JZ581011	4	34	JZ73045E	4	86
JZ581012	6	34	LAC00002	8	62
JZ581029	17	34	LAD00011	10	40
JZ581029	17	34	LAD00026	8	110
JZ581209	1	32	LAD00041	7	46
JZ581210	6	4	LAD00052	4	46
JZ581216	19	32	LAD00126	2	52
JZ581220	18	32	LBD00001	21	70
JZ581222	20	32	LBU00004	19	62
JZ581227	1	32	LBU00005	16	62
JZ581240	1	32	LBU00006	16	62
JZ581402	4	4	LDB00001	26	74
JZ591043	4	36	LDB00044	7	18
JZ621000	10	30	PA113800	9	48
JZ71013B	1	86	PA131003	5A	68
JZ71013C	1	86	PA131019	1	60
JZ71013F	1	86	PA131021	1	60
JZ71015A	1	86	PA131241	3	60

Parts Index

Part Number	Figure No.	Page No.	Part Number	Figure No.	Page No.
PA131274	3	60			
PA131600	6	68			
PA161012	2	76			
PA351201	5	42			
PA351202	6	42			
PA401000	6	48			
PA401400	4	78			
PA401401	7	78			
PA401405	3	78			
PA402203	16	114			
PA402220	3	114			
PA402400	1	100			
PA402401	3	100			
PA402402	4	100			
PA402403	5	100			
PA402404	6	100			
PA402405	10	100			
PA402410	13	100			
PA402411	14	100			
PA402412	15	100			
PA402413	16	100			
PA402420	4	100			
PA402421	3	100			
PA511039	5	2			
PA541011	2	20			
PA561000	1	16			
PA561209	4	18			
PA72013F	5	92			
PF131222	3	60			

Parts Index

Part Number	Figure No.	Page No.	Part Number	Figure No.	Page No.

Parts Index

Part Number	Figure No.	Page No.	Part Number	Figure No.	Page No.