



AS 200



AS 200

Bajaj Auto Limited
Akurdi Pune 411 035 India
Tel +91 20 27472851
Fax +91 20 27407385
www.bajajauto.com

Spare Parts Catalogue



Notice



All information contained in this manual is based on the latest product information at the time of publication. Bajaj Auto Limited accepts no liability for any inaccuracies or omissions in this publication, although every possible care has been taken to make it as complete and accurate as possible. All procedures and specifications subject to change without prior notice. The right is reserved to make such changes at any time without prior notice and without incurring an obligation to make such changes to product manufactured previously. Contact your authorized Bajaj Dealer for the latest information on product improvements incorporated after this manual was issued.

REV. 00, Jun 15

Copy rights : All rights reserved. No part of this publicatin may be reproduced, stored in a retrival system, Or transmitted in any form or by any means, electronic mechanical photocopying, recording or otherwise, without the prior written permission of Bajaj Auto LTD.

Foreword



We have pleasure in presenting the Spare Parts Catalogue for 'Pulsar 200 NS' Motorcycle. This catalogue has been specially designed to assist you in selecting the correct parts for procurement to maintain 100% availability.

The Bajaj spares are subjected to the stringent quality control standards to ensure longer life of the vehicle. It is therefore necessary that only the Genuine Bajaj Spares are used.

In a continual effort to improve Performance and Efficiency of the vehicles, Specifications, Diagrams, Illustrations and Part Numbers can change without notice. Consequently, the description in this Spare Parts Catalogue cannot therefore be final and binding on us.

The modifications / alterations which are carried out after the issue of this catalogue, will be conveyed to you through our Service Circulars. You are requested to make necessary corrections in the Parts Catalogue as per the circulars so as to keep your catalogue up-to-date. This will ensure the appropriate and speedy delivery of the Spare Parts as the order placed will bear the latest part numbers.

In case, if you need any technical assistance contact the concerned Regional Office or write to us on the following address :

Bajaj Auto Limited

Service Department

Akurdi, Pune 411 035 India

Phone : 020-27406557

Fax : 020-27407385

Instructions



- 1. How to Read the Catalogue :** Open the catalogue and from the pictorial index locate the group in which the part you want to find is present. Turn over to the concerned page number (as given by pictorial index). Now find out the figure of the part you wish to order. Write down the part number against that particular figure number from the text.

In case, if you have the part number and you need the other details, the part index can be used. The part index (at the end of the catalogue) will give you the figure and page number of the part you wish to order.

- 2. How to Order Spare Parts :** The part number and the description of the part required should be invariably mentioned in the order as per the catalogue text.

The latest part number as conveyed through our service circulars should only appear on the order. In case of ordering painted components, colour shade of the components should be mentioned.

The quantity shown against the part number is the quantity per vehicle for that group so that particular quantity should be multiplied by the number of sets required.

- 3. Part Number System :** We have used 8 digit system for part numbers. The model or hardware item is indicated by first two digits or alphanumeric, the next two or four digits indicate main group and the last four or two digits indicate serial number in main group or serial number or subgroup of fastener respectively. Thus the part numbers will be indicated by 2-2-4 or 2-4-2 digit system. Understanding this system will enable you to identify the spare parts easily.

- 4. Abbreviations :** The following abbreviations are used in this catalogue.

Assly	Assembly	V	Volts
N.I.	Not illustrated	W	Watts
C'case	Crankcase	Accl.	Accelerator
Cyl	Cylinder	Comp.	Complete
O/s	Over size	Fr.	Front
Rr.	Rear	Std.	Standard
L	Length	A/t.	Alternate
R.H.	Right hand	L.H.	Left hand
Hex.	Hexagonal	AR	As required

Index



AS 200

Plate No.	Description	Page No.
1	Cover Cylinder Head	2
2	Cylinder Head	4
3	Valve	6
4	Camshaft / Tensioner	8
5	Cylinder and Piston	10
6	Crankshaft	12
7	Transmission	14
8	Change Drum / Shift Fork	16
9	Gear Change Mechanism	18
10	Engine Assly / Crankcase RH	20
11	Crankcase LH	22
12	Balancer Idler Gear / Water Pump	24
13	Oil Pump	26
14	Radiator	28
15	Cover Clutch	30
16	Cover Magneto	32
17	Clutch Assly	34
18	Carburettor	36
19	Air Cleaner Complete	38
20	Silencer Assly	40
21	Starter Assly	42
22	Magneto, C.D.I. & H.T. Coil	44
23	Seat Assly / Seat Lock	46
24	Engine Mountings	48
25	Frame and Frame Fitting	50
26	Swing Arm / Rear Shock Absorber	52
27	Pillion Foot Rest / Holder	54
28	Mudguard- Front & Rear	56
29	Stand Assembly	58
30	Tyre/ Tube / Rim	60

Index



AS 200

Plate No.	Description	Page No.
31	Front Hub	62
32	Front Master Cylinder	64
33	Front Disc Brake	66
34	Rear Hub	68
35	Rear Disc Brake System	70
36	Rear Brake Pedal	72
37	Handle Bar Assly	74
38	Front Fork	76, 78
39	Painted Parts & Decals	80, 82
40	Radiator Cover	84
41	Petrol Tank, Cap Tank & Gauge Fuel	86
42	Fittings - Petrol Tank, Side Cover & Cover Seat	88
43	Meter Assly.	90
44	Control Cables	92
45	Chain Case	94
46	Head Lamp & Fairing	96
47	Indicator Light Assly.	98
48	Tail Lamp Assly. / Front No. Plate	100
49	Electrical Equipments	102
50	Tool Kit	104
51	Accessories / Grab Handle	106
	Kits List For Pulsar 135 LS	107, 108
		109
	Amendment Sheet (Parts Added)	111
	Amendment Sheet (Parts Deleted)	112
	Part Index	

Pictorial Index



AS 200

PLATE NO. : 1
COVER CYLINDER HEAD

PAGE NO.
1



PLATE NO. : 2
CYLINDER HEAD

PAGE NO.
3

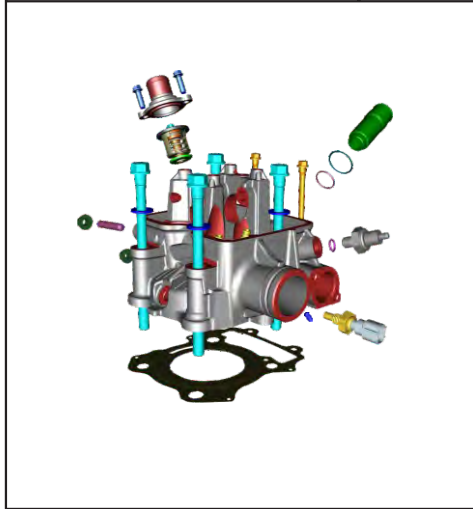


PLATE NO. : 3
VALVE

PAGE NO.
5

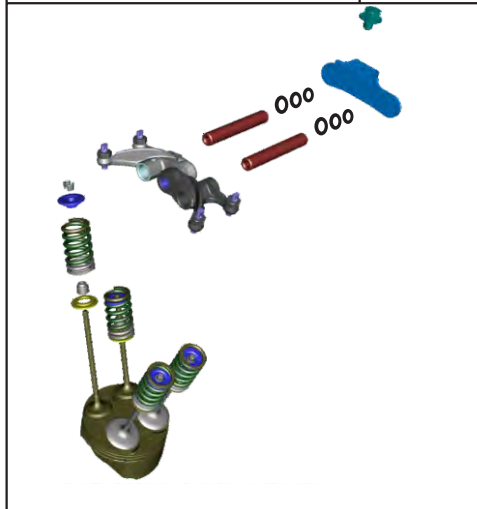
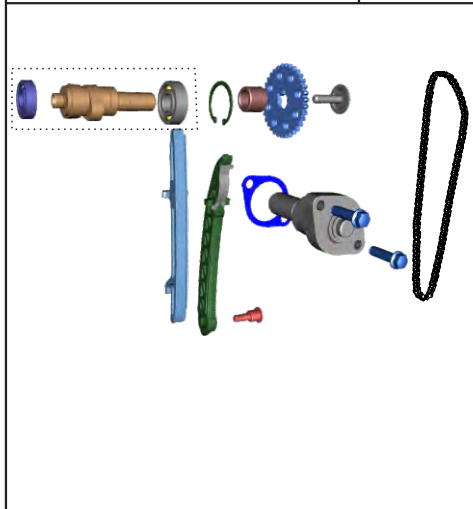


PLATE NO. : 4
CAMSHAFT / TENSIONER

PAGE NO.
7



Pictorial Index



AS 200

PLATE NO. : 5
CYLINDER & PISTON

PAGE NO.
9

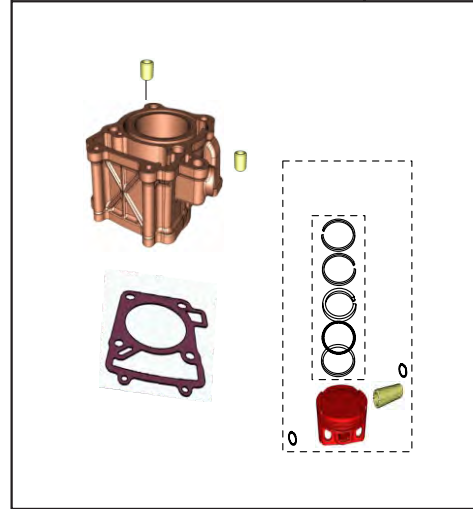


PLATE NO. : 6
CRANKSHAFT

PAGE NO.
11

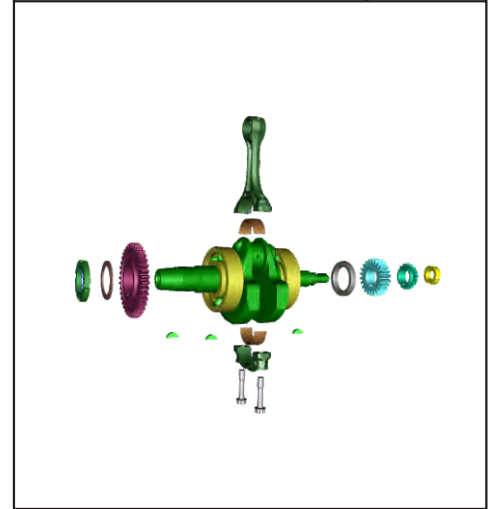


PLATE NO. : 7
TRANSMISSION

PAGE NO.
13

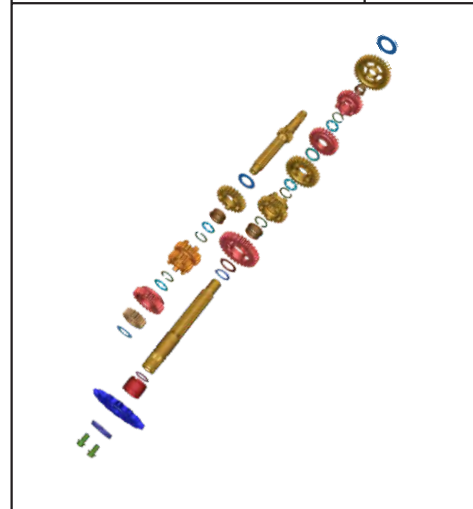


PLATE NO. : 8
CHANGE DRUM / SHIFT FORK

PAGE NO.
15

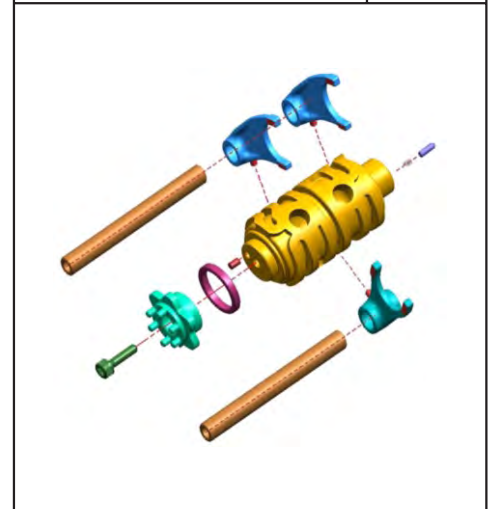


PLATE NO. : 9
GEAR CHANGE MECHANISM

PAGE NO.
17



PLATE NO. : 10
ENGINE ASSLY & CRANKCASE RH

PAGE NO.
19

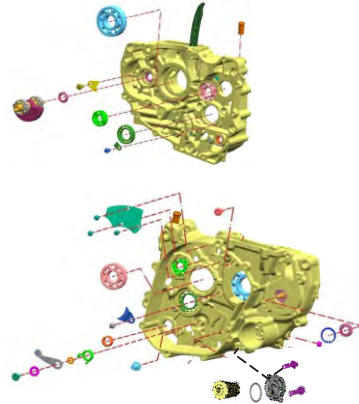


PLATE NO. : 11
CRANKCASE LH

PAGE NO.
21

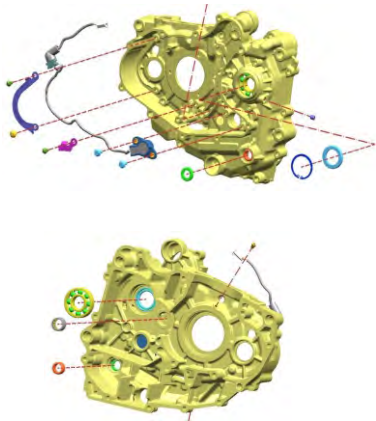


PLATE NO. : 12
BALANCER IDLER GEAR/WATER PUMP

PAGE NO.
23

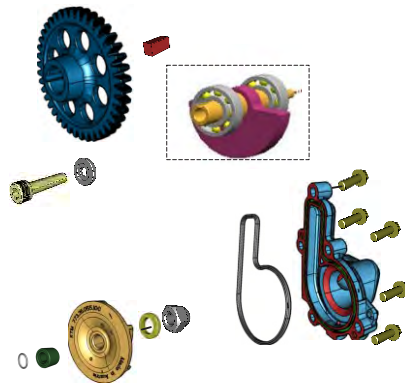


PLATE NO. : 13
OIL PUMP

PAGE NO.
25

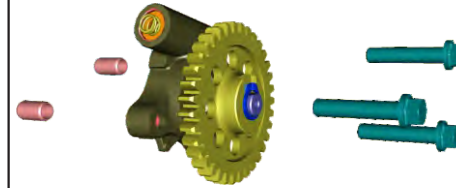


PLATE NO. : 14
RADIATOR

PAGE NO.
27

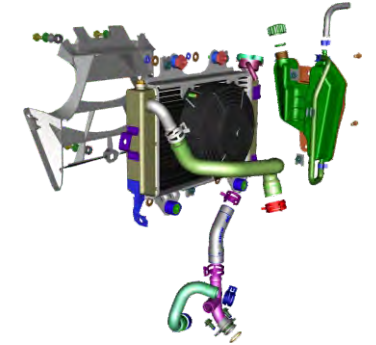


PLATE NO. : 15
COVER CLUTCH

PAGE NO.
29

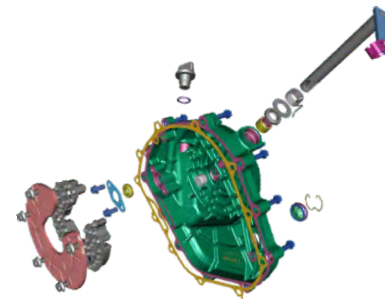


PLATE NO. : 16
COVER MAGNETO

PAGE NO.
31

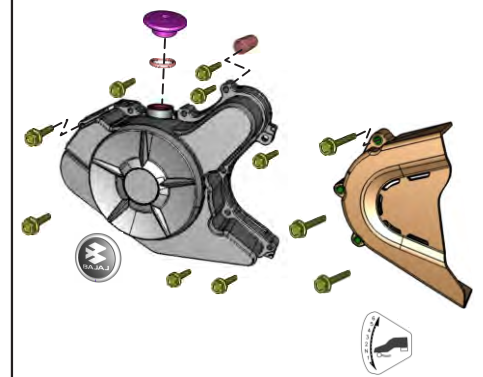


PLATE NO. : 17
CLUTCH ASSEMBLY

PAGE NO.
33

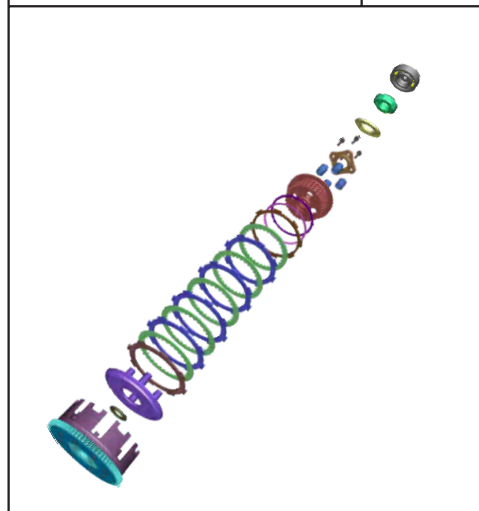


PLATE NO. : 18
CARBURETTOR

PAGE NO.
35

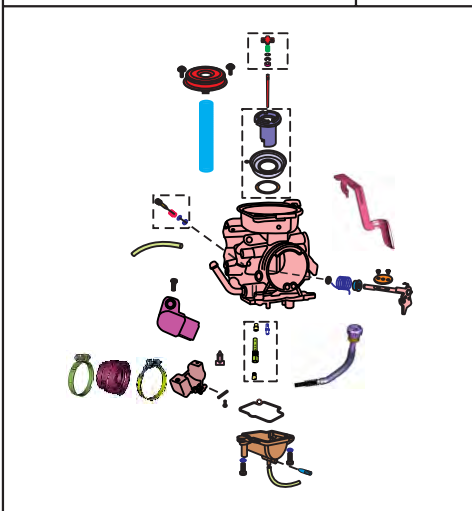


PLATE NO. : 19
AIR CLEANER COMPLETE

PAGE NO.
37



PLATE NO. : 20
SILENCER ASSEMBLY

PAGE NO.
39



PLATE NO. : 21
STARTER ASSEMBLY

PAGE NO.
41

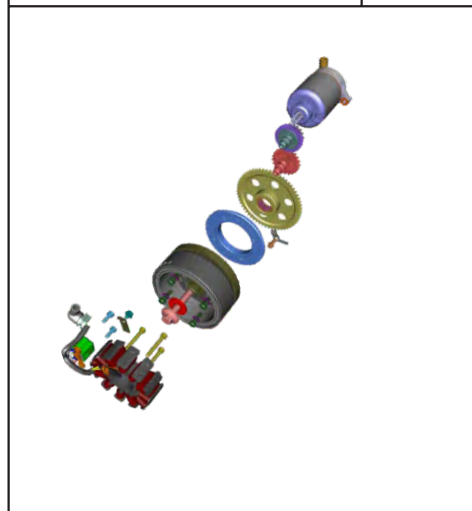


PLATE NO. : 22
MAGNETO, CDI & H.T. COIL

PAGE NO.
43

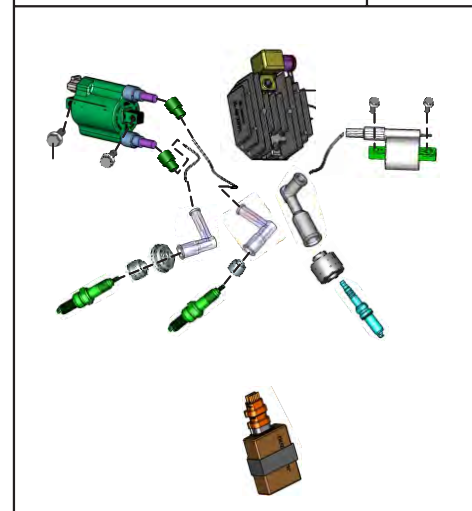


PLATE NO. : 23
SEAT ASSEMBLY / SEAT LOCK

PAGE NO.
45

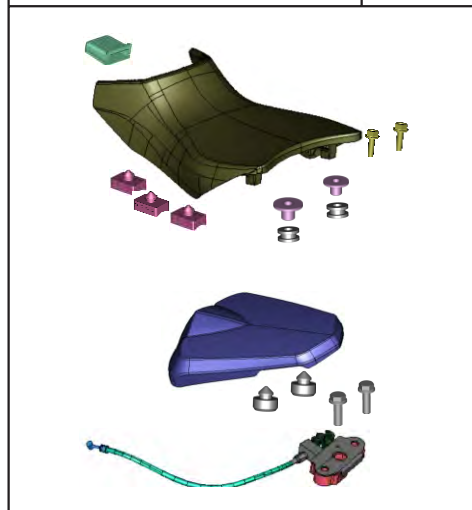
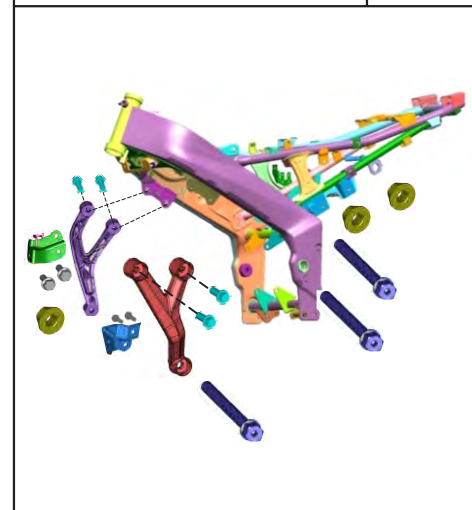


PLATE NO. : 24
ENGINE MOUNTINGS

PAGE NO.
47



Pictorial Index



AS 200

PLATE NO. : 25
FRAME & FITTINGS

PAGE NO.
49

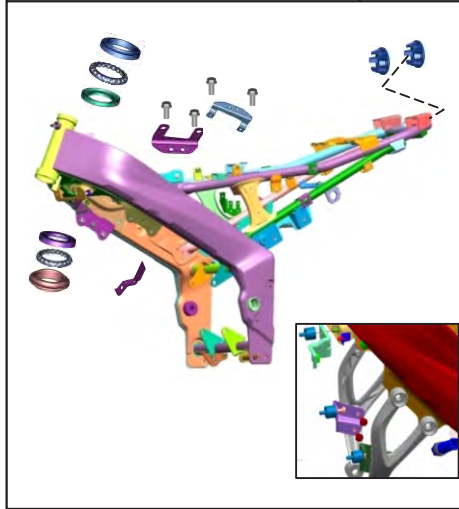


PLATE NO. : 26
SWING ARM/REAR SHOCK ABSORBER

PAGE NO.
51

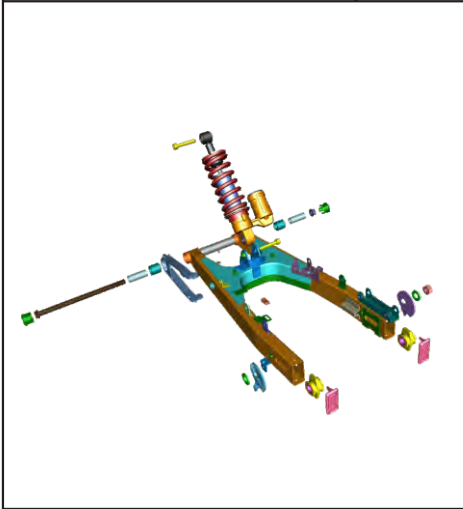


PLATE NO. : 27
PILLION FOOT REST / HOLDER

PAGE NO.
53

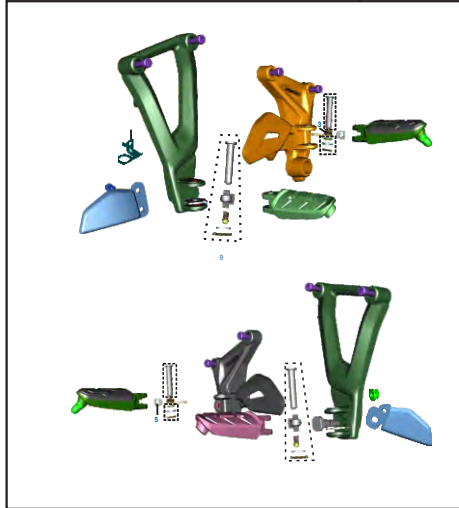
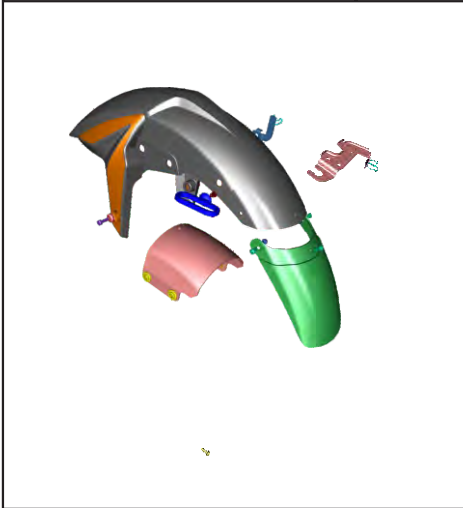


PLATE NO. : 28
MUD GUARD - FRONT & REAR

PAGE NO.
55



Pictorial Index



AS 200

PLATE NO. : 29
STAND ASSEMBLY

PAGE NO.
57

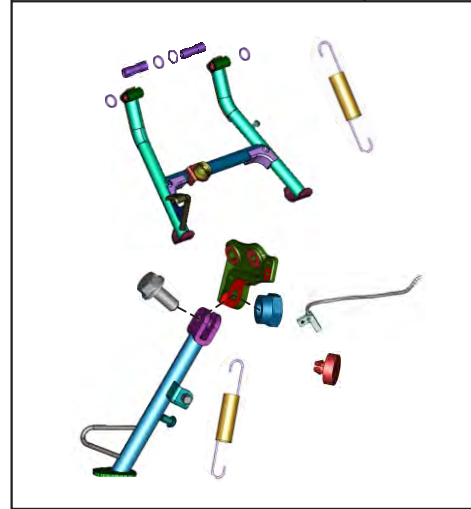


PLATE NO. : 30
TUBE / TYRE / RIM

PAGE NO.
59

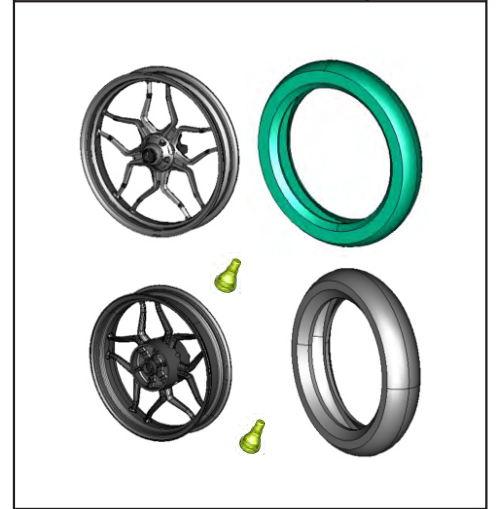


PLATE NO. : 31
FRONT HUB

PAGE NO.
61

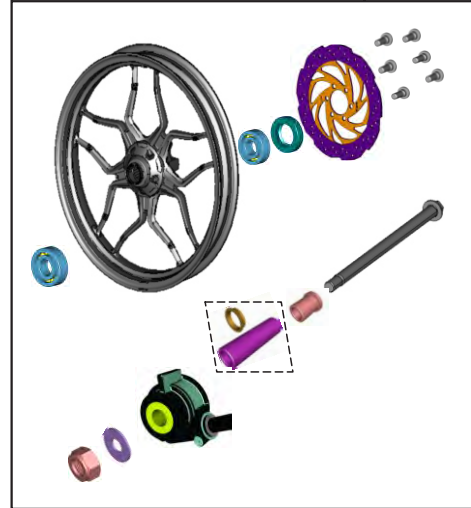
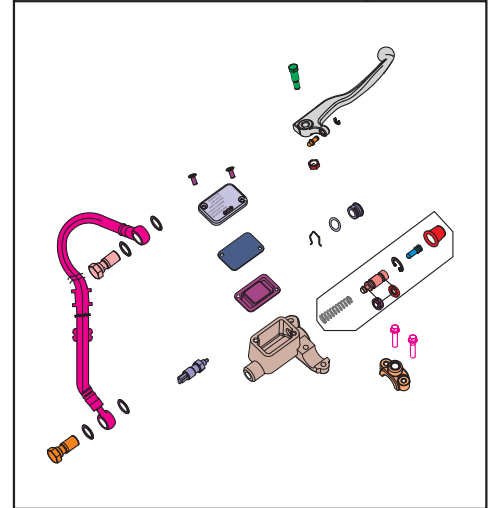


PLATE NO. : 32
FRONT MASTER CYLINDER

PAGE NO.
63



Pictorial Index



AS 200

PLATE NO. : 33
FRONT DISC BRAKE

PAGE NO.
65

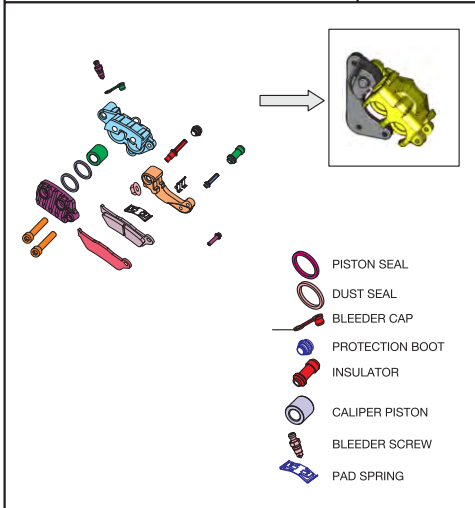


PLATE NO. : 34
REAR HUB

PAGE NO.
67

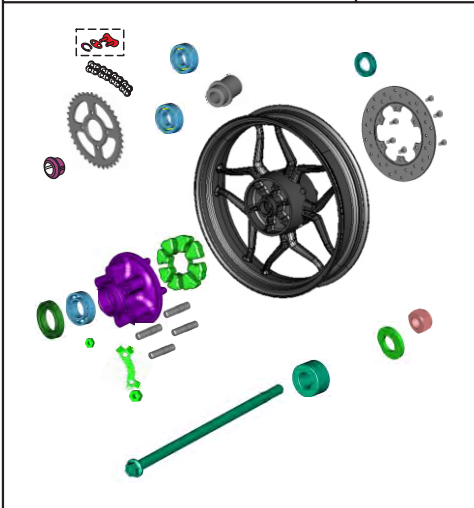


PLATE NO. : 35
REAR DISC BRAKE SYSTEM

PAGE NO.
69

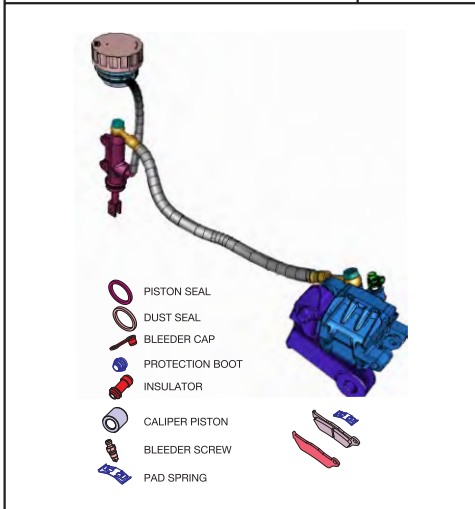


PLATE NO. : 36
REAR BRAKE PEDAL

PAGE NO.
71



Pictorial Index



AS 200

PLATE NO. : 37
HANDLE BAR ASSEMBLY

PAGE NO.
73

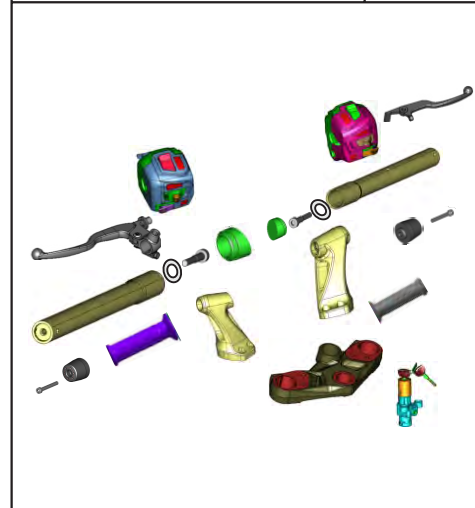


PLATE NO. : 38
FRONT FORK

PAGE NO.
75, 77

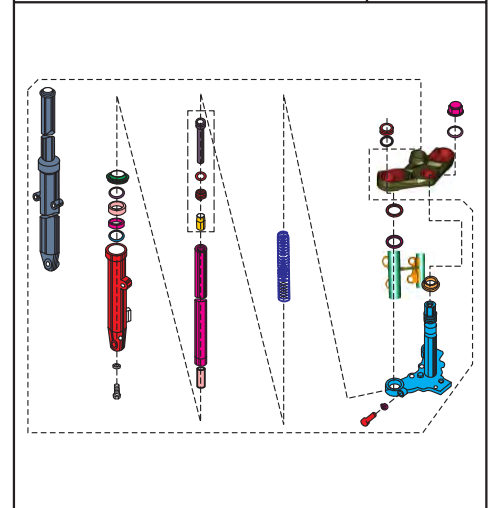


PLATE NO. : 39
PAINTED PARTS & DECALS

PAGE NO.
79, 81

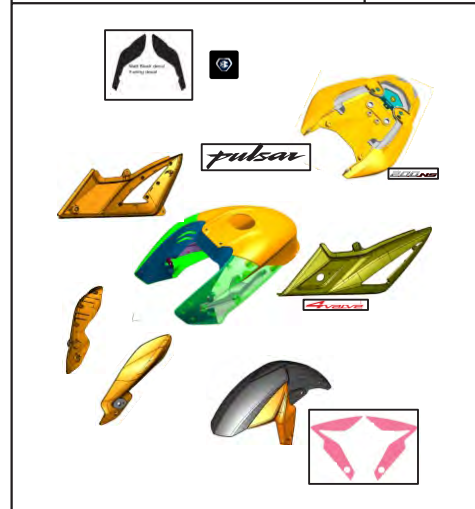
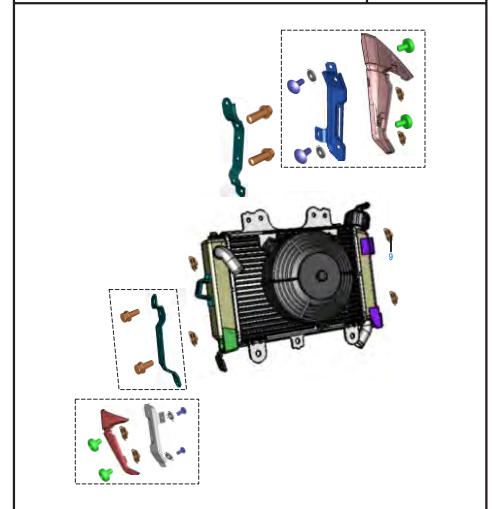


PLATE NO. : 40
RADIATOR COVERS

PAGE NO.
83



Pictorial Index



AS 200

PLATE NO. : 41
PETROL TANK, CAP TANK &
GAUGE FUEL

PAGE NO.
85

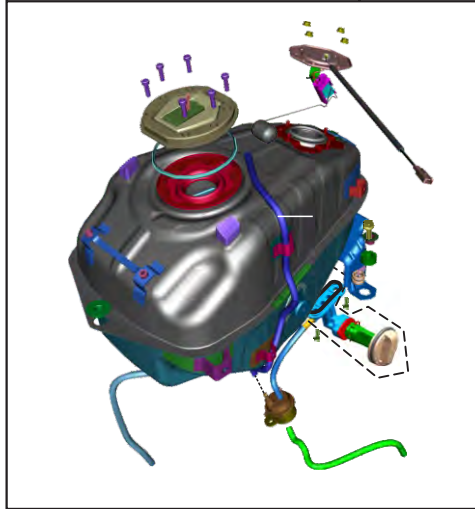


PLATE NO. : 42
FITTING PETROL TANK COVER,
SIDE COVERS & SEAT COVER

PAGE NO.
87

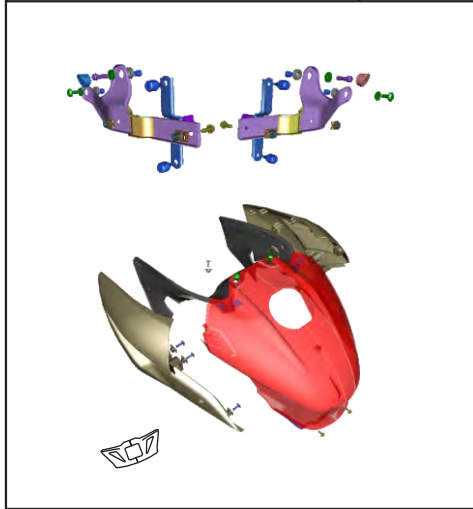


PLATE NO. : 43
FITTING SEAT COVER

PAGE NO.
89

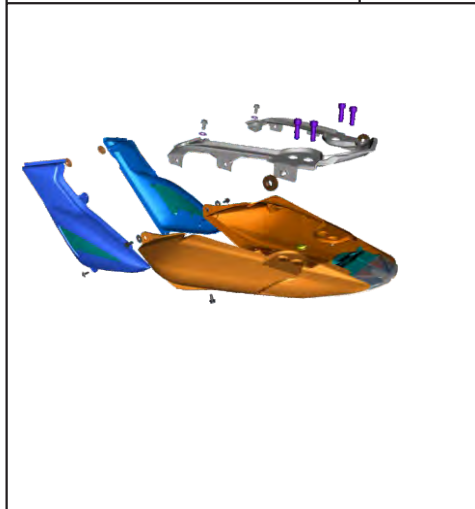
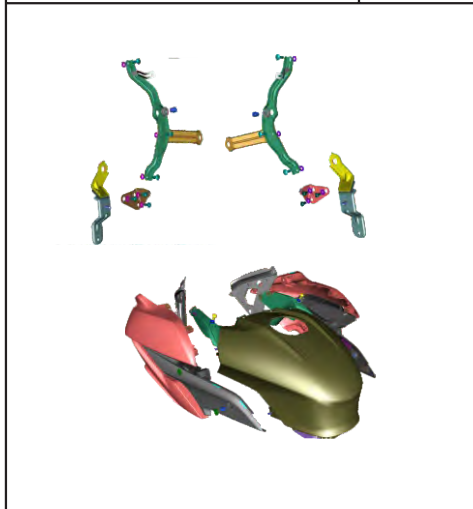


PLATE NO. : 44
FAIRING AND PETROL TANKK COVER

PAGE NO.
91



Pictorial Index



AS 200

PLATE NO. : 45
FITTINGS - SIDE COVER AND
SEAT COVER

PAGE NO.
93

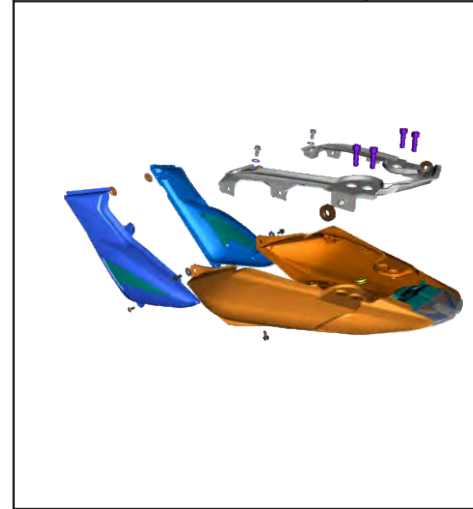


PLATE NO. : 46
METER ASSEMBLY

PAGE NO.
96

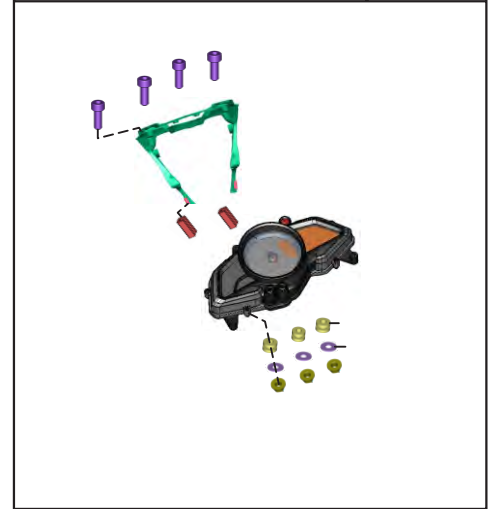


PLATE NO. : 47
CONTROL CABLES

PAGE NO.
97



PLATE NO. : 48
CHAIN COVER AND MUD GUARD

PAGE NO.
99

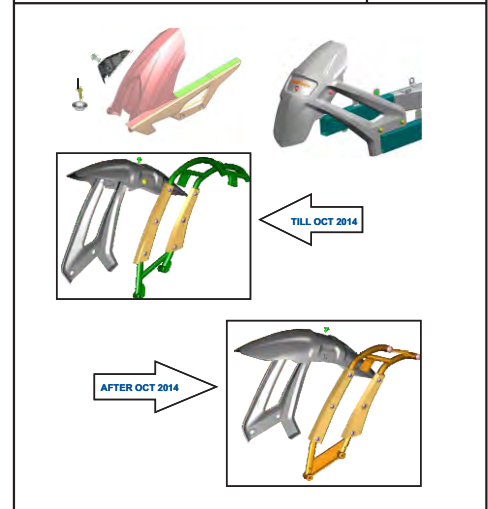


PLATE NO. : 49
HEADLAMP FAIRING - PULSAR 200 NS

PAGE NO.
101

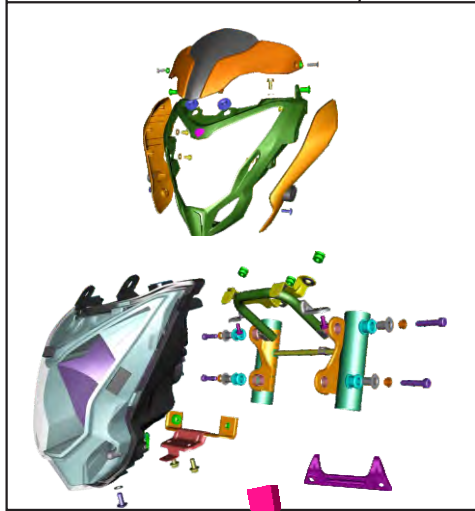


PLATE NO. : 50
HEADLAMP FAIRING - PULSAR 200 AS

PAGE NO.
103

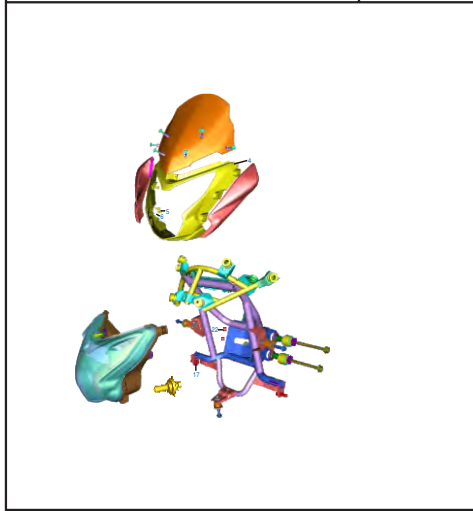


PLATE NO. : 51
INDICATOR LIGHT ASSEMBLY

PAGE NO.
105

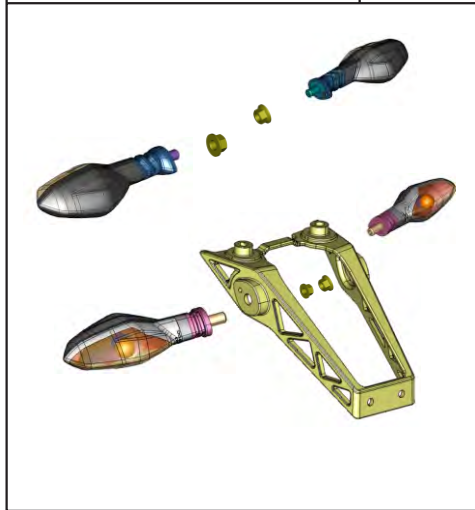


PLATE NO. : 52
TAIL LAMP AND FRONT NUMBER
PLATE - PULSAR 200 NS

PAGE NO.
91



PLATE NO. : 53
TAIL LAMP AND FRONT NUMBER
PLATE - PULSAR 200 AS

PAGE NO.
93

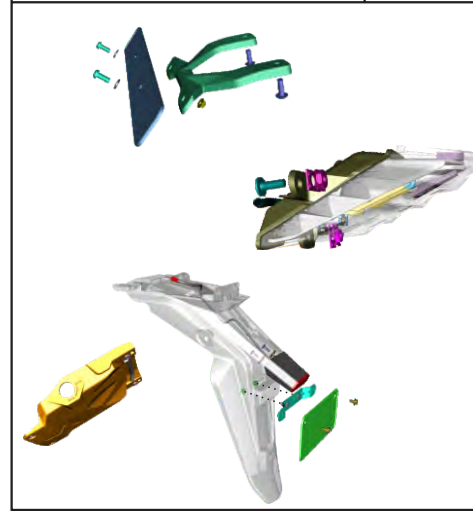


PLATE NO. : 54
ELECTRICAL EQUIPMENTS

PAGE NO.
96

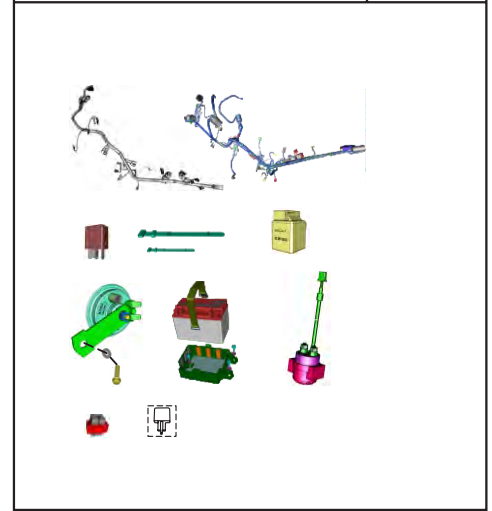


PLATE NO. : 55
TOOL KIT

PAGE NO.
97

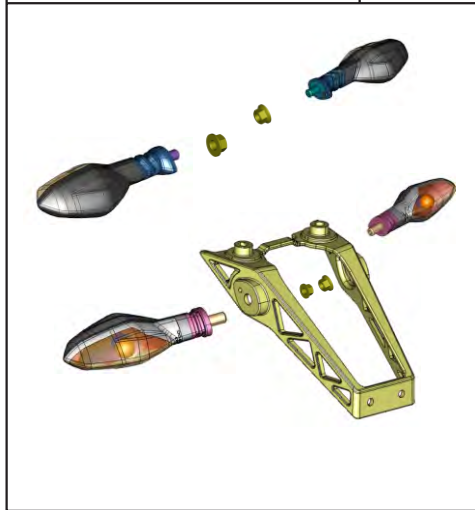
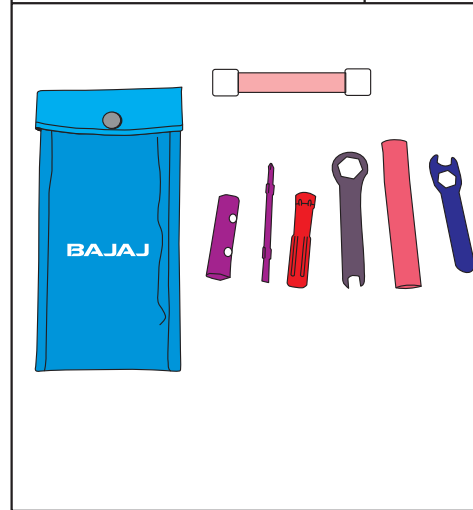


PLATE NO. : 56
GRAB HANDLE AND SAREE GUARD

PAGE NO.
99



Pictorial Index



AS 200

PLATE NO. :57 -62
PAINTED PARTS AND DECALS
PULSAR 200 NS

PAGE NO.
101

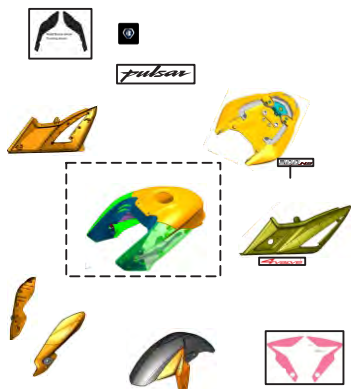


PLATE NO. : 63-64
PAINTED PARTS AND DECALS
PULSAR 200 AS

PAGE NO.
103

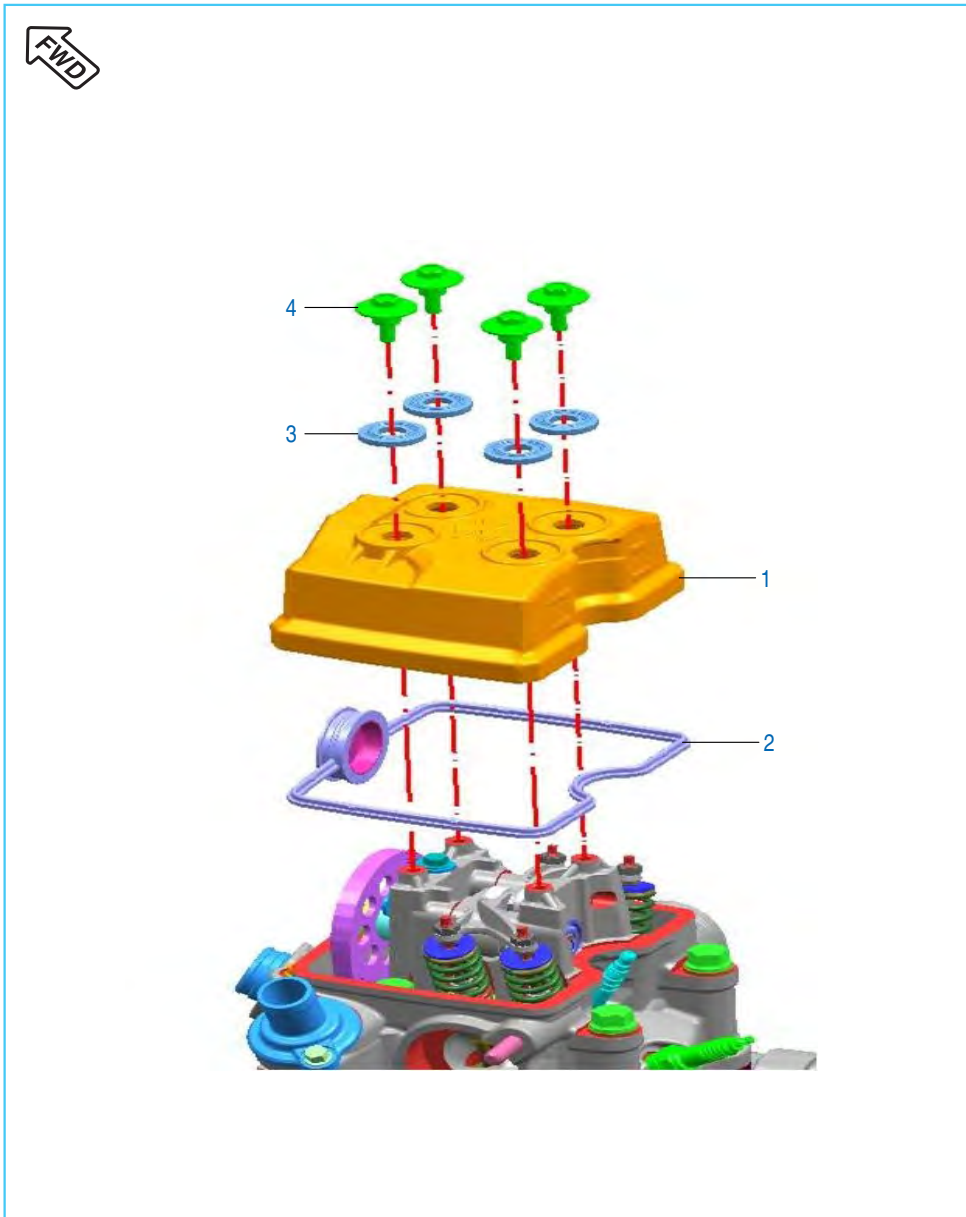


Pictorial Index



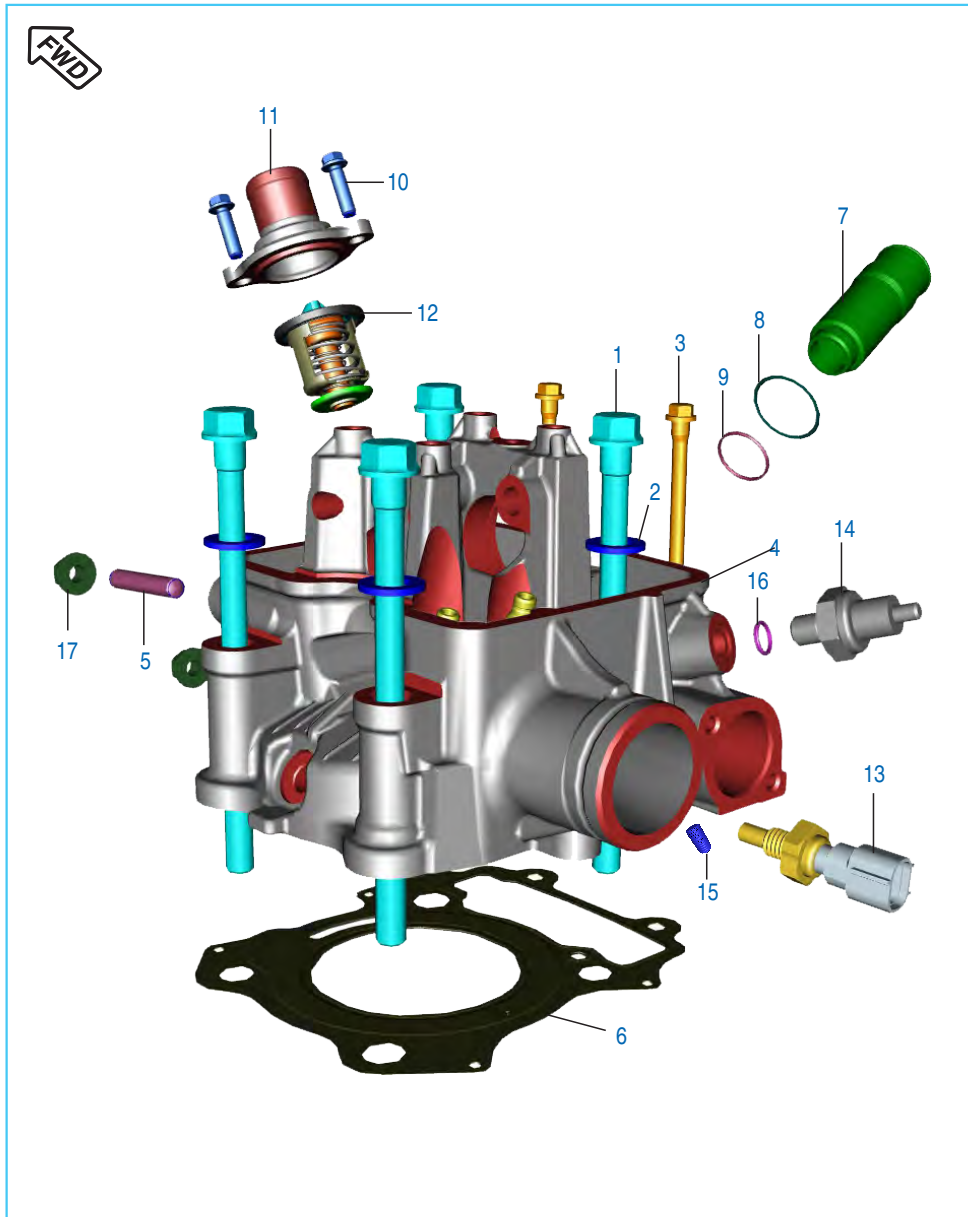
AS 200

Cover Cylinder Head



No.	Part No.	Description	Qty.		Remarks
			200 NS	200 AS	
1	JL 5110 02	Cover Cylinder Head	1	1	
2	JL 5110 01	Gasket Head Cover(Rubber)	1	1	
3	JG 5110 21	Washer	4	4	
4	JG 5110 22	Bolt Special	4	4	

Cylinder Head



No.	Part No.	Description	Qty.		Remarks
			200 NS	200 AS	
1	JG 5410 68	Hex Flange Head Bolt M10	4	4	
2	LD A000 08	Washer 11.2*20*2T	4	4	
3	JL 5110 09	M6 Stud Bolt	2	2	
4	36 JL00 10	Cylinder Head	1	1	
5	JG 5110 46	Stud (M8*1.25)	2	2	
6	JL 5110 22	Gasket Cylinder Head	1	1	
7	JL 5112 19	Sleeve Spark Plug	1	1	
8	39 2629 21	'O' Ring Sleeve	1	1	Top side
9	39 1283 21	'O' Ring Sleeve	1	1	Bottom side
10	39 1673 04	Bolt - Flange :- M6	2	-	
	KA EQ06 20	Bolt	-	2	
11	JL 5110 29	Cover Thermostat	1	1	
12	JL 6012 37	Thermostat Assembly	1	1	
12a	JL 6012 25	Seal Thermostat	1	1	N.I
13	JG 3514 00	Coolant Water Temp Sensor	1	1	
14	DK 1012 25	Switch Oil Pressure	1	1	
15	39 2608 01	Grub Screw	1	1	
16	39 2699 20	O'Ring	1	1	
17	LC G000 06	Nut Hex Flanged	2	2	

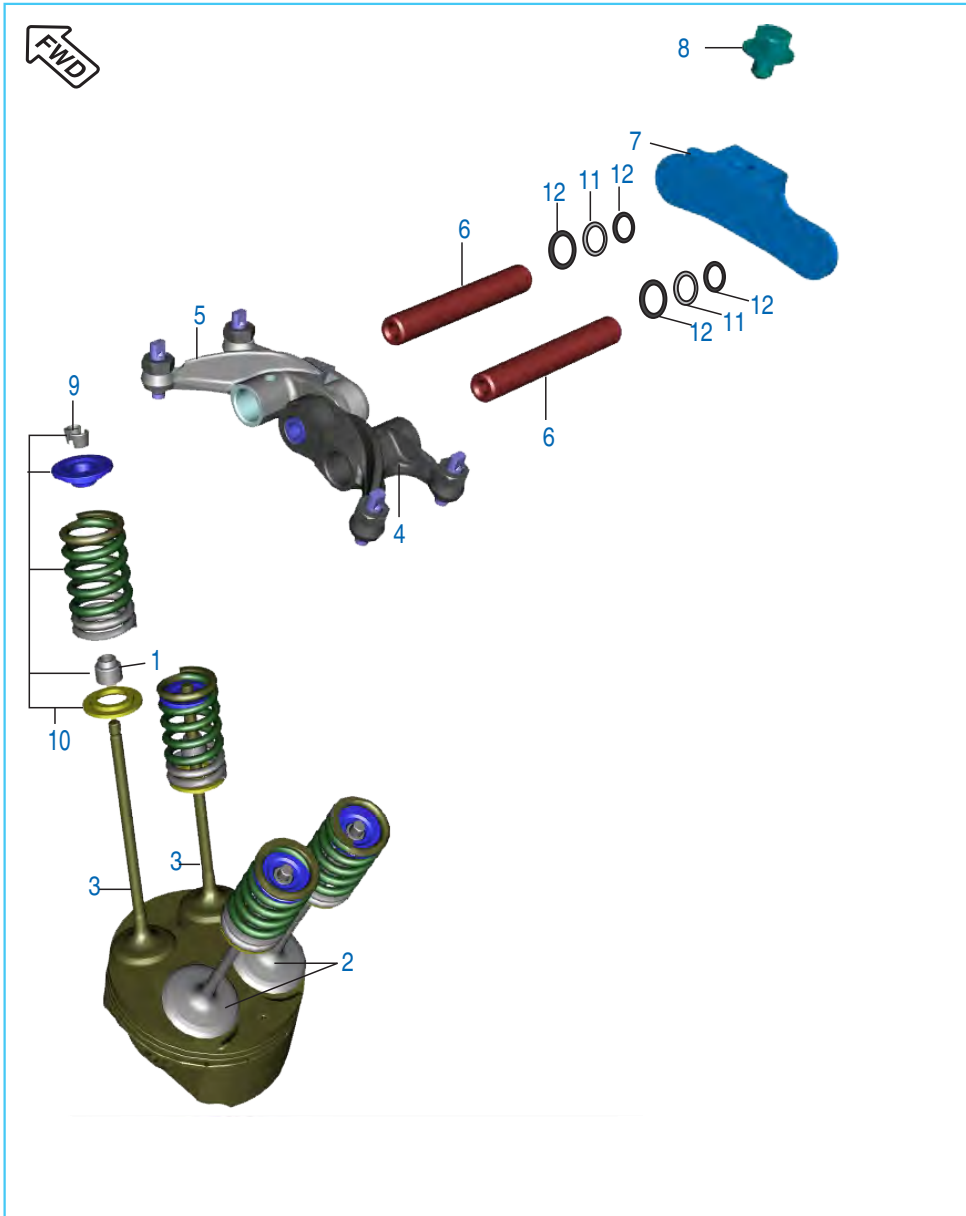
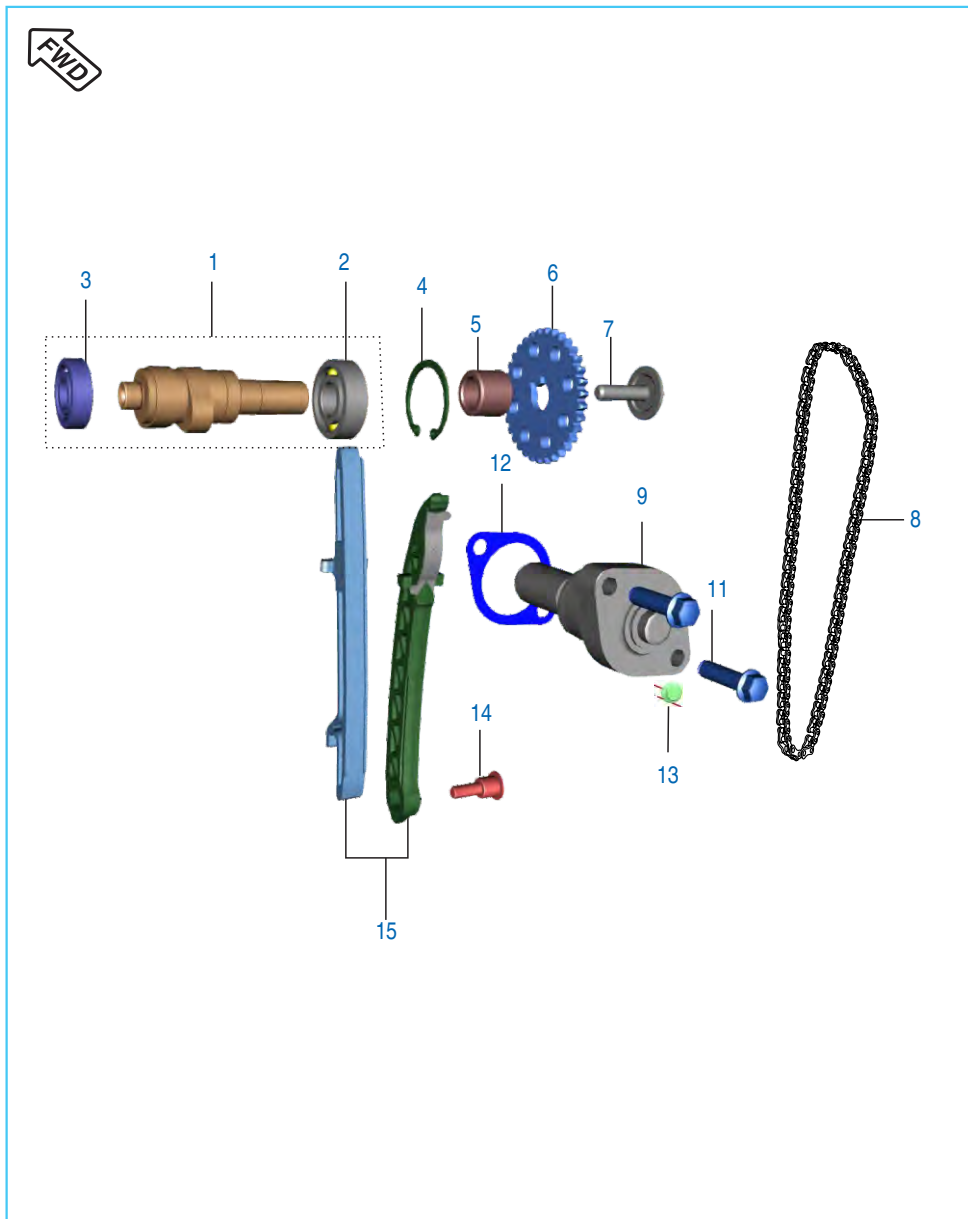


Plate No.: 3

Valve

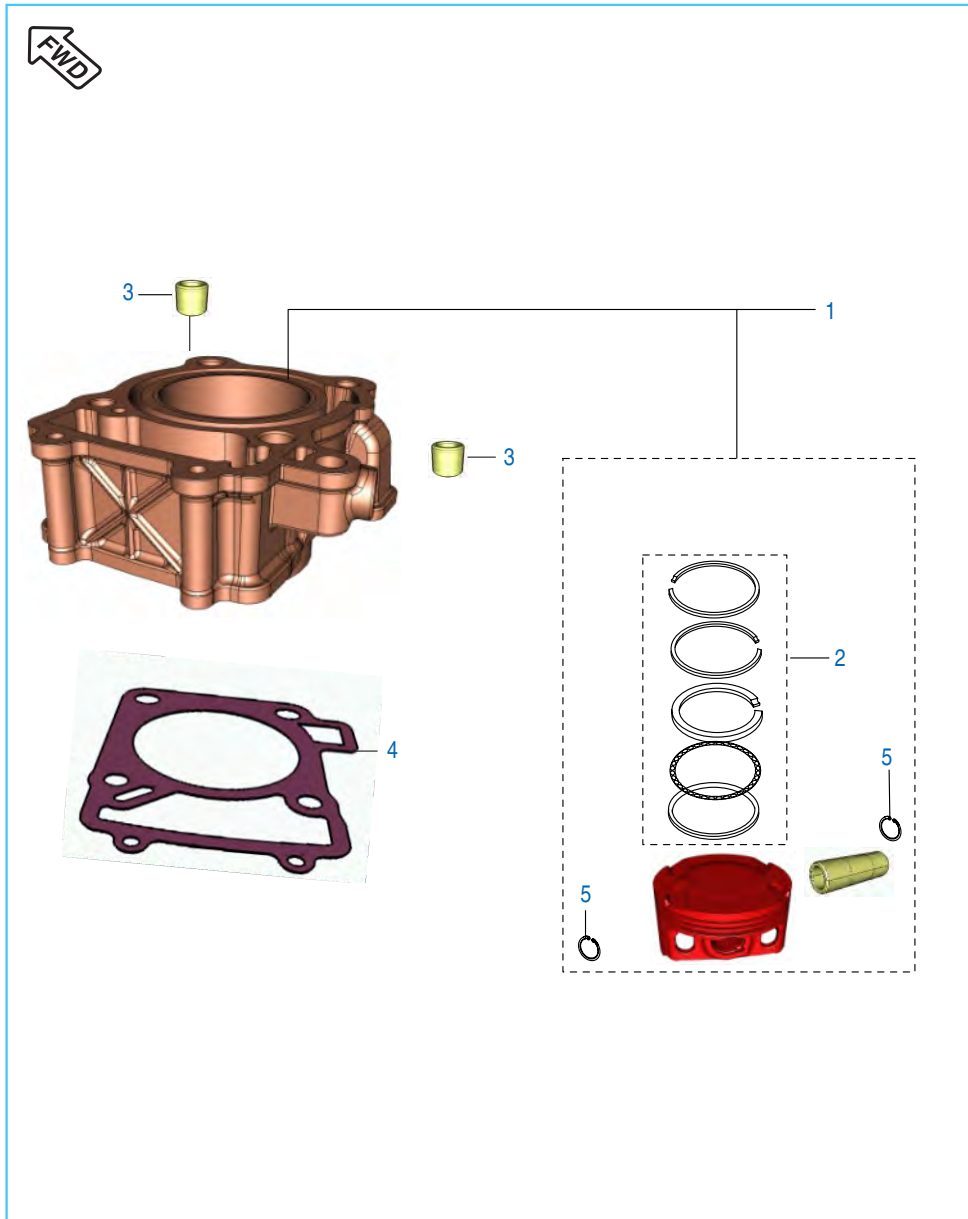
No.	Part No.	Description	Qty.		Remarks
			200 NS	200 AS	
1	39 2017 19	Seal - Oil	4	4	
2	JL 5110 10	Valve Intake	2	2	
3	JL 5110 11	Valve Exhaust	2	2	
4	JL 5110 06	Assembly Rocker Arm Intake	1	-	
	DT 5112 61	Assembly Rocker Arm Intake	-	1	
5	JL 5110 07	Assembly Rocker Arm Exhaust	1	-	
	DT 5112 62	Assembly Rocker Arm Exhaust	-	1	
6	JL 5112 05	Rocker Arm Shaft	2	2	
7	JF 5112 07	Plate Stopper Rocker Arm	1	1	
8	LA E000 16	Bolt Flanged M5X0.8X6L-Precoated	1	1	
9	DG 1010 29	Cotter Valve	8	8	
10	36 JL00 11	Valve Repair Kit	4	4	
11	DH 1012 95	Wave Washer	2	2	
12	39 2440 11	Plain Wahser	4	4	

Camshaft / Tensioner



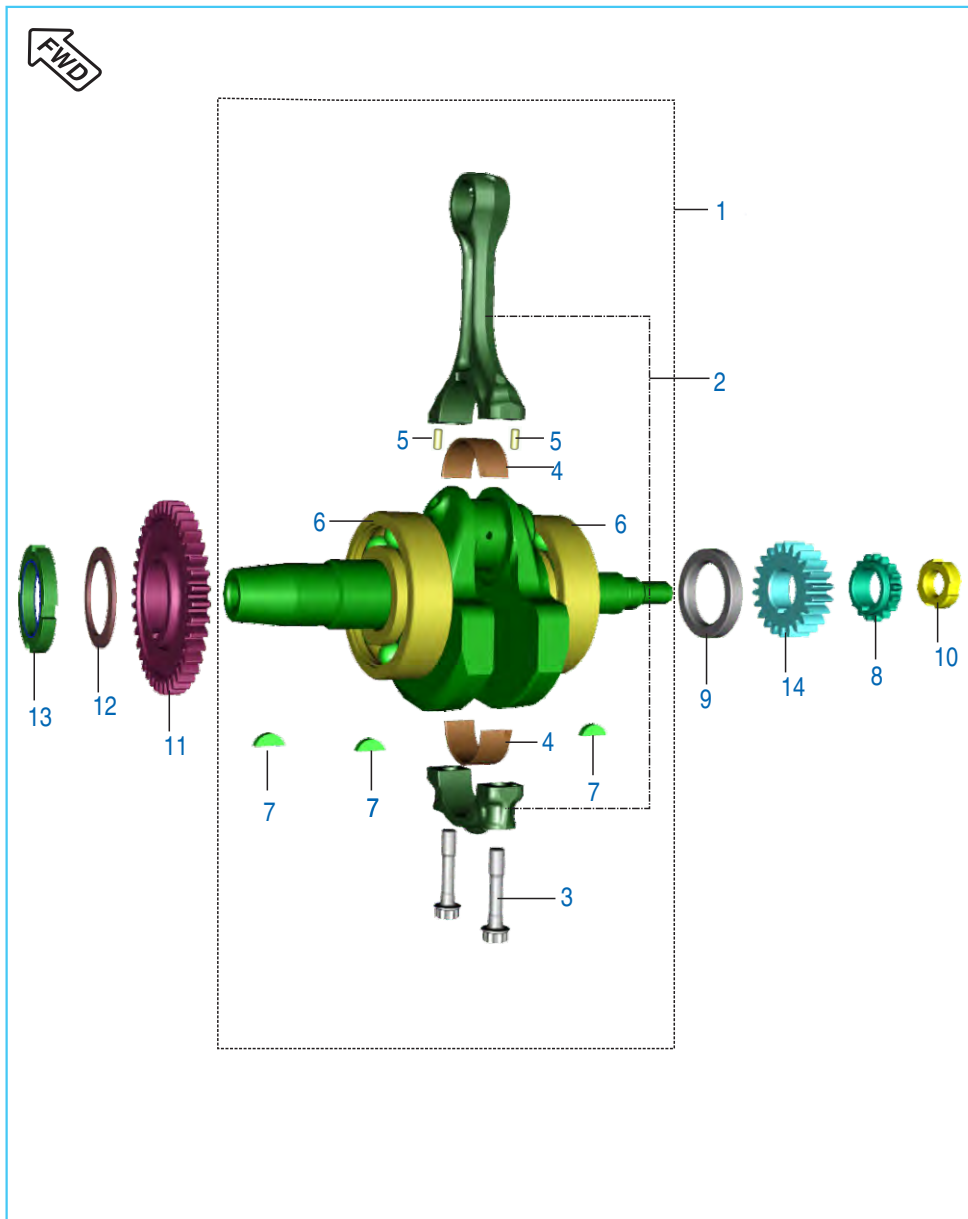
No.	Part No.	Description	Qty.		Remarks
			200 NS	200 AS	
1	JF 5112 28	Assembly Camshaft	1	1	
2	JG 5312 20	Bearing - Ball 6202/HN3	1	1	
3	AP 1012 36	Bearing - Ball :- 12 X 28 X 8	1	1	
4	LE B000 01	Circlip - Internal	1	1	
5	JL 5112 21	Spacer Camshaft	1	1	
6	JL 5112 20	Sprocket Camshaft	1	1	
7	DU 1012 25	Bolt Special Flanged (Camshaft)	1	-	
	JG 5112 69	Bolt Special Flanged	-	1	
8	JL 5112 22	Timing Chain	1	1	
9	JC 1010 34	Tensioner Assembly	1	1	
10	39 2669 21	Ring - O (Tensioner Bolt)	1	1	N.I.
11	KA DQ06 20	Bolt Hexagonal	2	-	
	KA EQ06 20	Bolt Hexagonal	-	2	
12	CS 1011 28	Gasket	1	1	
13	JG 5112 70	Bolt Flanged M6X1X6L-Special	1	1	
14	DH 1013 92	Chain Guide Pivot Bolt	1	1	
15	36 JL00 01	Kit Cam Chain Guide	1	1	

Cylinder and Piston

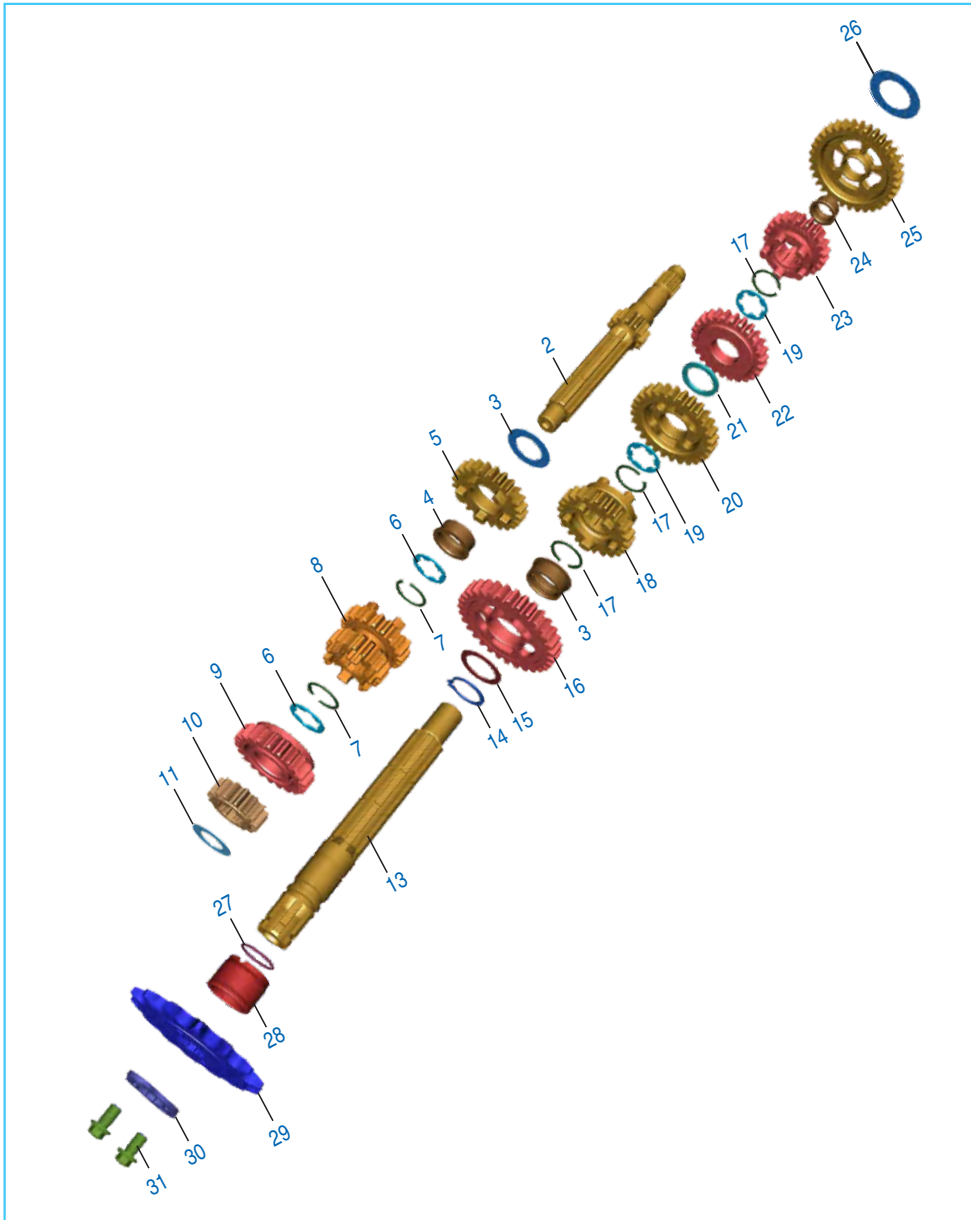


No.	Part No.	Description	Qty.		Remarks
			200 NS	200 AS	
1	36 JL00 07	Kit Asly Block Piston	1	1	
2	36 JU00 01	Kit Piston Ring	1	1	
3	39 2181 06	Pin - Hollow Dowel :- 14 X 20	2	2	
4	JL 5210 02	Gasket Cylinder Block	1	1	
5	39 2132 17	Ring - Snap	2	2	

Crankshaft



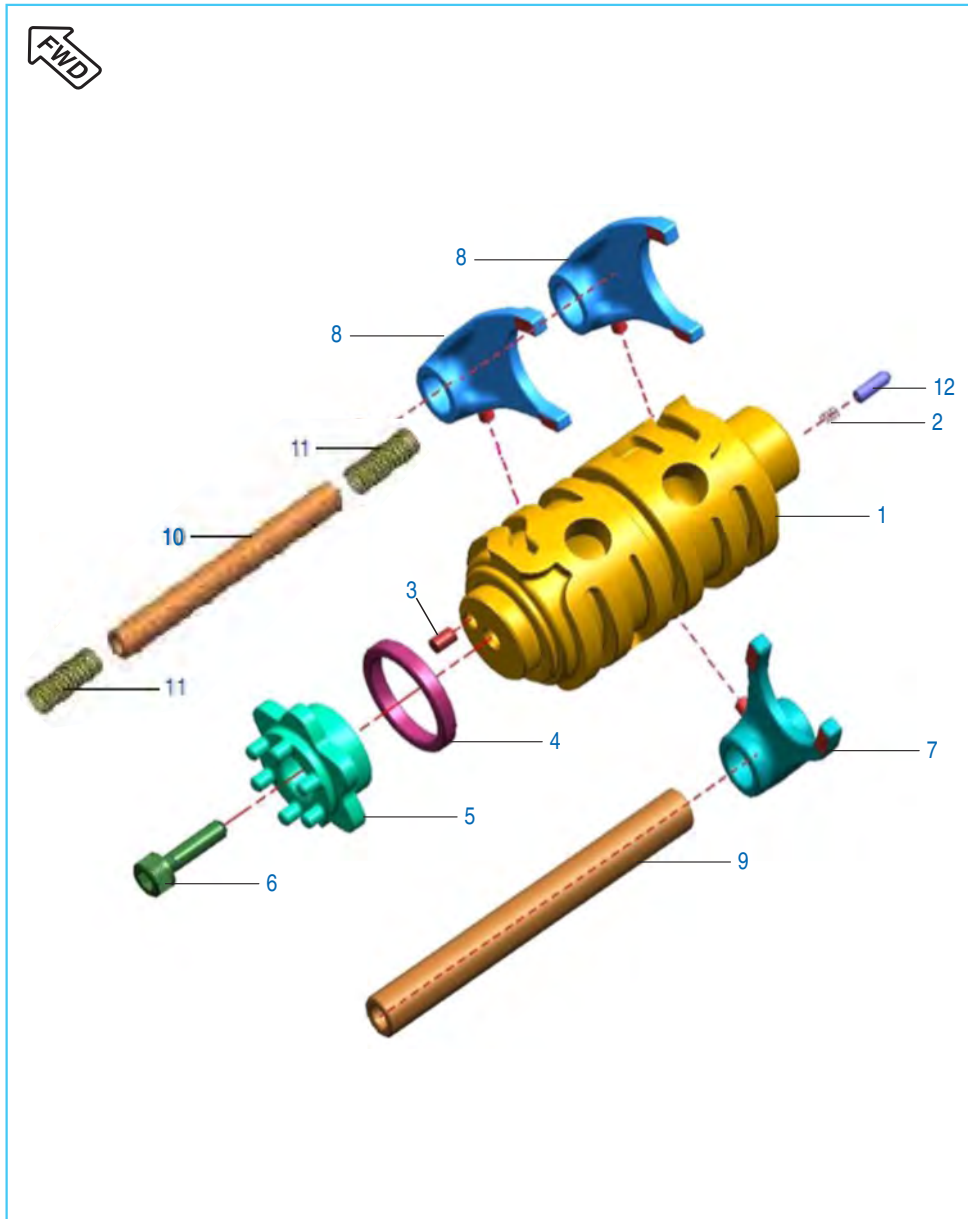
No.	Part No.	Description	Qty.		Remarks
			200 NS	200 AS	
1	36 JU00 36	Kit Crankshaft Assembly	1	1	
2	JF 5310 07	Conrod Assly Compl	1	1	
3	JF 5310 14	Bolt (Jf Con Rod)	2	2	
4	JU 5310 21	Bush Big End	2	2	
5	39 2203 07	Pin - Parallel	2	2	
6	39 1931 20	Bearing - Ball : 28 X 68 X 18	2	2	
7	31 1011 73	Key-Woodruff for Crankshaft Cl. Side	3	3	Not part of assly.
8	JG 5310 27	Sprocket Crankshaft	1	1	
9	JG 5310 31	Spacer Crankshaft	1	1	
10	LC D000 01	Nut Sprocket Drive Lock	1	1	
11	JG 5310 41	Balancer Drive Gear	1	1	
12	JG 5310 39	Beleville Washer	1	-	
	LD H000 02	Beleville Washer	-	1	
13	JG 5310 40	Nut Balancer Drive Lock	1	1	
14	JG 5512 16	Gear Drive	1	1	



Transmission

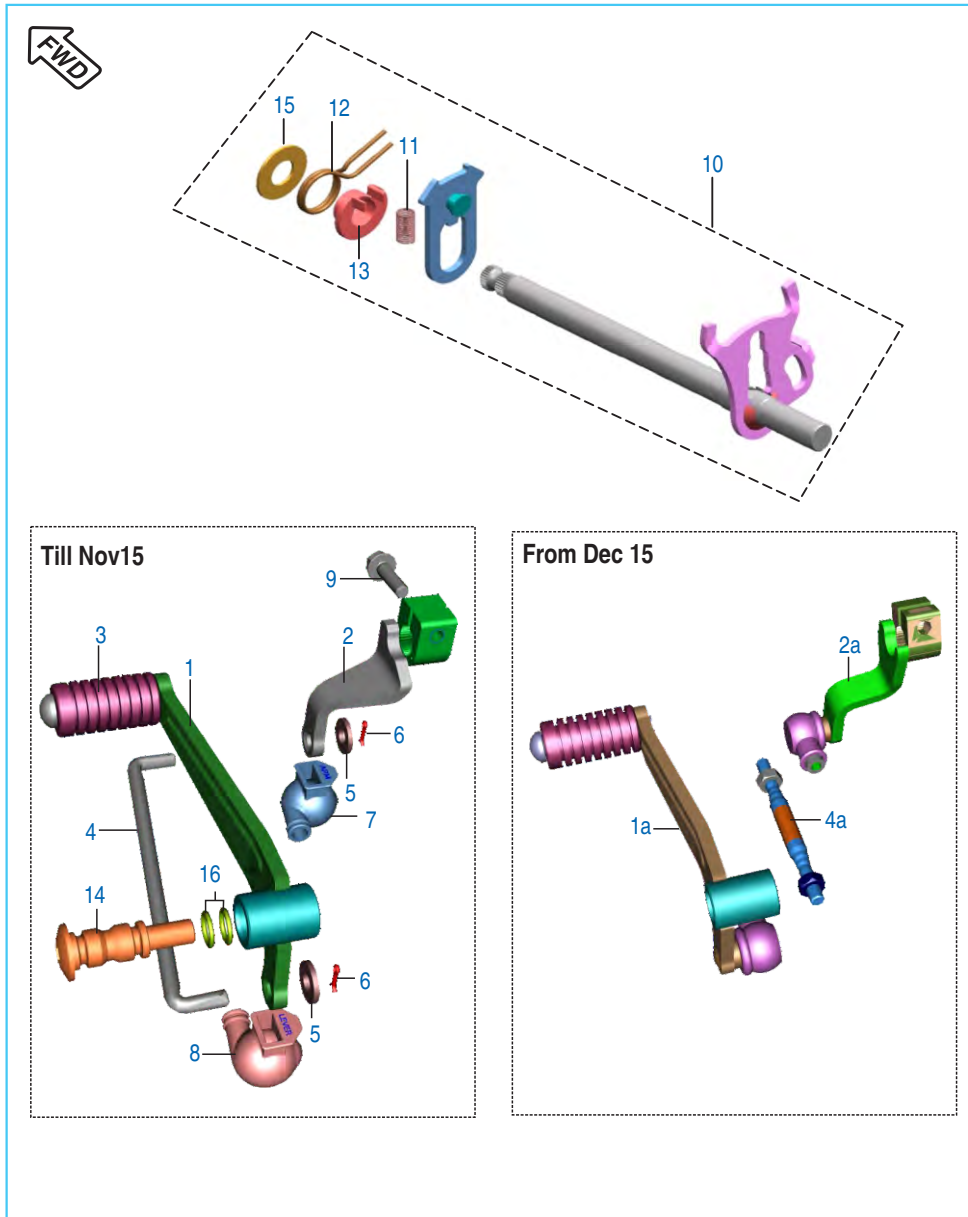
No.	Part No.	Description	Qty.		Remarks
			200 NS	200 AS	
1	JG 5510 28	Shaft Input T/M Assly	1	1	N.I
2	JG 5510 27	Shaft Input T/M Comp	1	1	
3	39 2158 11	Washer - Plain	1	1	
4	JG 5510 13	Bush 6th Drive / Bush 2nd Driven	2	2	
5	JG 5512 13	Gear 6th Drive	1	1	
6	JG 5510 20	Washer Splined	2	2	
7	BF 5510 37	Ring - Snap	2	2	
8	JG 5512 14	Gear Drive Multiple 3&4	1	1	
9	JG 5512 20	Gear 5th Drive	1	1	
10	JG 5512 27	Gear 2nd Drive	1	1	
11	JG 5510 22	Washer - Plain 2ng Gear I/P Shaft	1	1	
12	JG 5510 26	Output Shaft Assy	1	1	N.I
13	JG 5510 25	Output Shaft Assy With Plug	1	1	
14	DH 1012 35	Circlip	1	1	
15	39 2166 11	Washer Special	1	1	
16	JG 5512 28	Gear 2nd Driven	1	1	
17	BF 5510 37	Ring - Snap	2	2	
18	JG 5512 22	Gear 5th Driven	1	1	
19	JG 5510 20	Washer - Plain 2ng Gear I/P Shaft	2	2	
20	JG 5512 23	Gear 3rd Driven	1	1	
21	JG 5510 21	Washer Plain O/P Shaft	1	1	
22	JG 5512 15	Gear 4th Driven	1	1	
23	JG 5512 24	Gear 6th Driven	1	1	
24	JG 5510 00	Bush 1st Driven	1	1	
25	JG 5512 25	Gear 1st Driven	1	1	
26	JG 5510 21	Washer Plain O/P Shaft	1	1	
27	DK 1013 52	O-Ring Sprocket Collar(17.5*1.5)	1	1	
28	JG 5510 10	Collar Sprocket	1	1	
29	DV 1010 48	Sprocket Output (14T)	1	1	
30	DJ 1013 12	Plate Drive Sprocket	1	1	
31	LA E000 17	Bolt Flanged M6X1X10L-Precoated	2	2	

Change Drum / Shift Fork



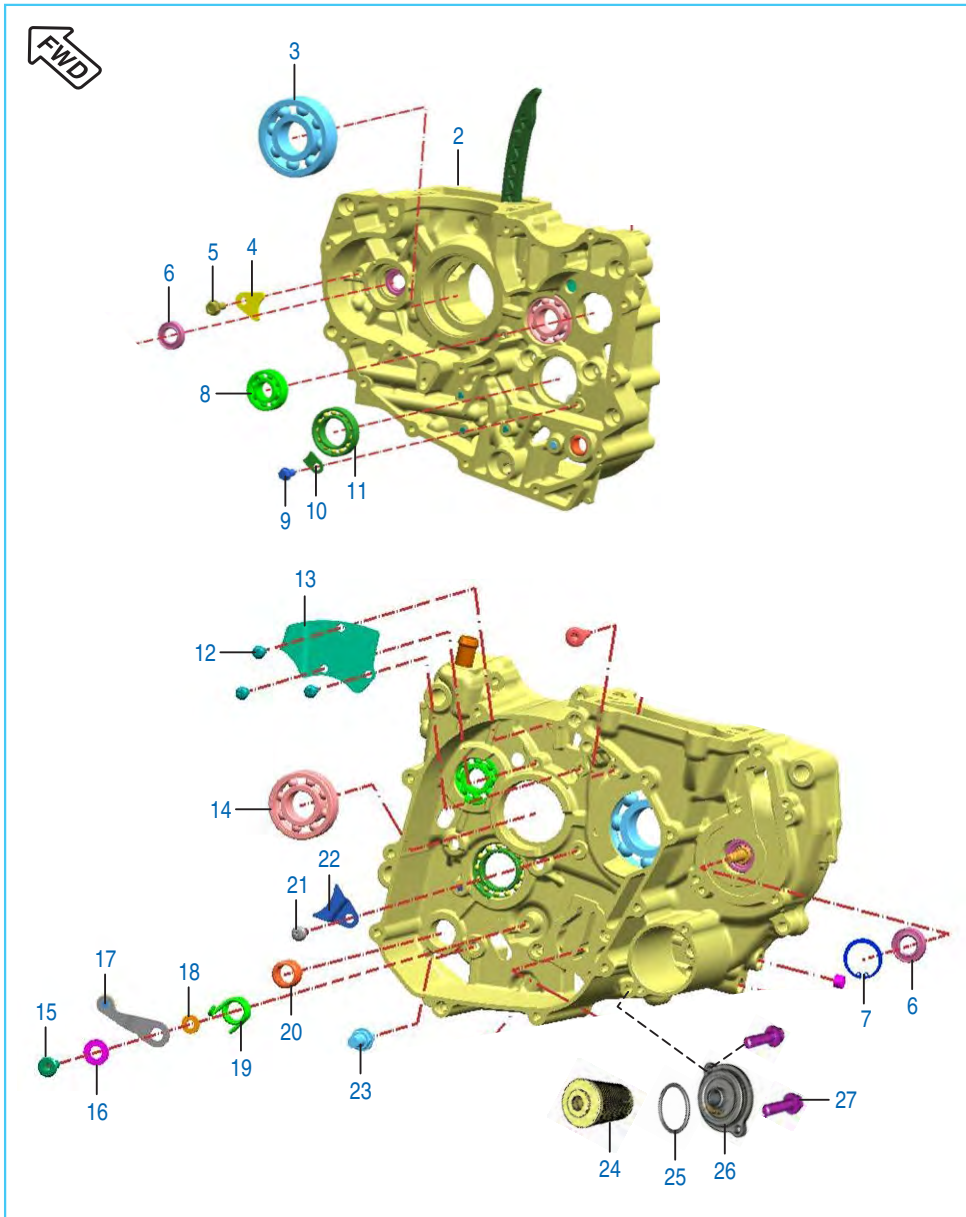
No.	Part No.	Description	Qty.		Remarks
			200 NS	200 AS	
1	JG 5610 11	Drum Complete Gear Shift	1	1	
2	EC 5610 23	Spring Gear Switch Indicator	1	1	
3	39 2606 07	Pin - Parallel	1	1	
4	JG 5610 10	Spacer-Guide Gear Shift	1	1	
5	JG 5612 22	Guide Gear Shift	1	1	
6	LA C000 24	Bolt Socket Head M6X1X20L	1	1	
7	JG 5610 12	Fork Gear Shift Input	1	1	
8	JG 5610 13	Fork Gear Shift Output	2	2	
9	JG 5610 16	Shaft Gear Shift Fork	1	1	
10	JG 5612 25	Shaft Gear Shift Fork Output	1	1	
11	JG 5612 15	Compression Spring	2	2	
12	JG 5610 08	Gear Indicator Pin	1	1	

Gear Change Mechanism



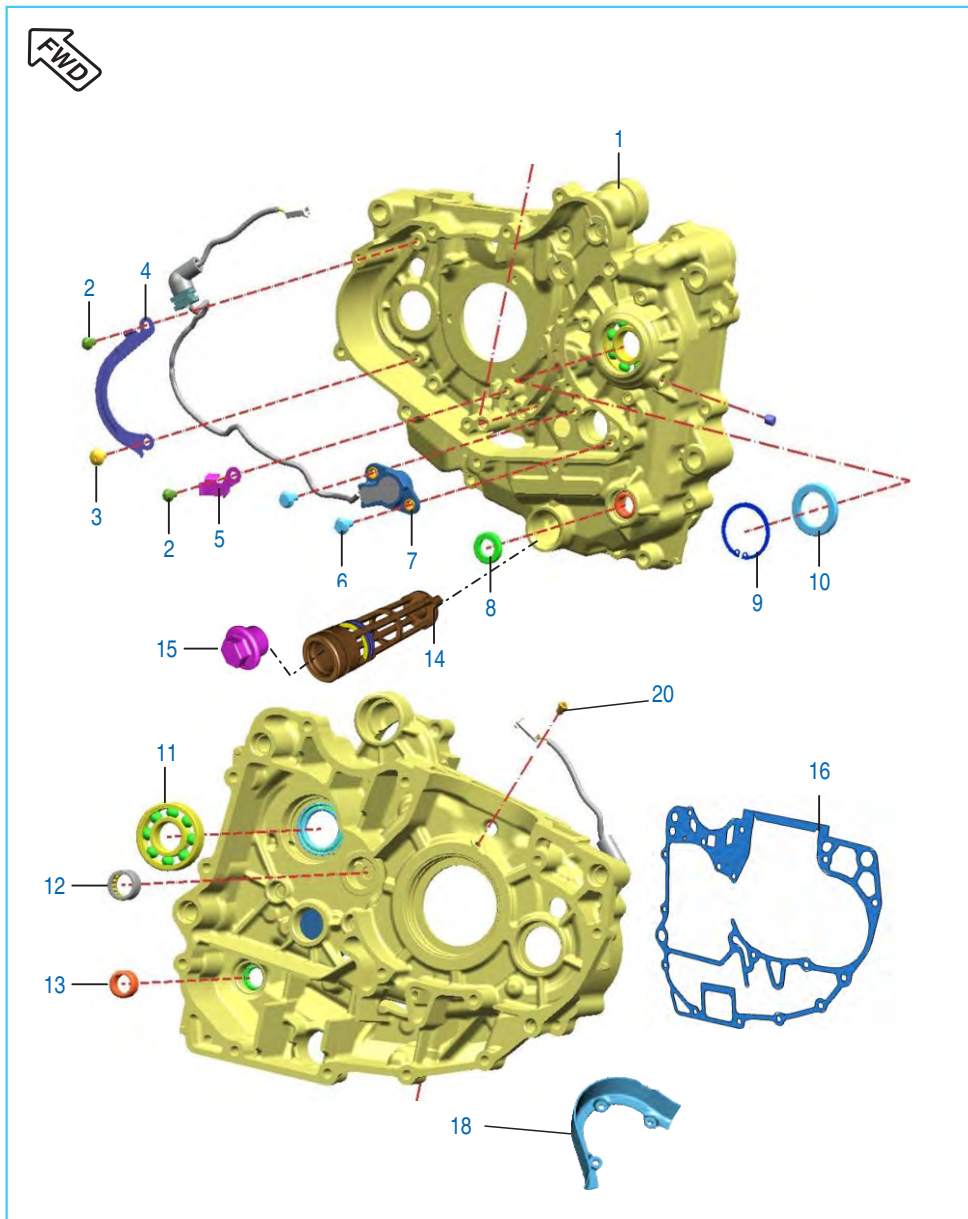
No.	Part No.	Description	Qty.		Remarks
			200 NS	200 AS	
1	JL 5614 01	Assembly Lever Complete Change	1	1	
1a	JL 5612 05	Assembly Shift Lever- Ball Joint	1	1	From Dec'15
2	JL 5614 04	Assembly Lever Change Arm	1	1	
2a	JL 5612 06	Assembly Arm Change Ball Joint	1	1	From Dec'15
3	DH 1015 09	Damper	1	1	
4	JL 5614 05	Rod Tie	1	1	
4a	52 JF00 62	Tie Rod With Nut Assly	1	1	From Dec'15
5	JD 5614 16	Washer - Nylon (Dia6.5Xd15X2.0)	2	2	Till Nov' 15
6	39 0808 08	Pin - Split	2	2	Till Nov' 15
7	JL 5614 07	Boot -Change Arm	1	1	Till Nov' 15
8	JL 5614 08	Boot -Change Lever	1	1	Till Nov' 15
9	39 1902 04	Bolt - Flange :- M6	1	1	
10	JG 5612 00	Lever Gear Shift Assy Comp.	1	-	
	DT 5612 06	Lever Gear Shift Assy Comp.	-	1	
11	JG 5612 15	Compression Spring	1	1	
12	JG 5612 18	Torsion Spring	1	-	
	JG 5612 32	Torsion Spring	-	1	
13	JG 5612 17	Bush-Torsion Spring	1	1	
14	JL 5614 09	Bolt Gear Change Lever	1	1	
15	JL 5614 10	Washer - Steel	1	1	
16	01 1009 05	'O' Ring	2	2	

Engine Assembly / Crankcase RH



No.	Part No.	Description	Qty.		Remarks
			200 NS	200 AS	
1	JL 5010 03	Assembly Engine	1	-	N.I. for Argentina
	JL 5010 14	Assembly Engine	1	-	
	JL 5010 40	Assembly Engine	-	1	
2	36 JL00 04	Kit Asly Crankcase RH	1	1	
3	39 1931 20	Ball Bearing 28 X 68 X 18	1	1	
5	LA D000 77	Bolt Flanged M6x16	1	1	
4	JG 5410 46	Balancer Bearing Stopper	1	1	
6	36 JI00 39	Special Shaft Seal Ring (oil)	2	2	
7	LE B000 01	Circlip Internal	1	1	
8	39 2602 20	Bearing - Ball 6202/HN3	1	1	
9	AA 1014 37	Screw : Pre-coated	1	1	
10	JG 5410 59	Plate Stopper Bearing Drum	1	1	
11	39 2601 20	Bearing - Ball :- 61905 (25 X 42 X 9)	1	1	
12	LB B000 06	Screw Pan head	3	3	
13	JU 5410 05	Breather Plate	1	1	
14	59 2000 28	Bearing Ball RH	1	1	
15	JG 5612 04	Bolt Drum Stopper	1	1	
16	JG 5612 05	Washer	1	1	
17	JG 5610 09	Stopper Drum Complete	1	1	
18	39 2005 11	Washer	1	1	
19	JG 5612 26	Spring	1	1	
20	39 2562 20	Bearing - Needle Roller :- 13X19X12	1	1	
21	39 0746 01	Screw Pan Cross - M6	1	1	
22	JG 5410 45	Input Shaft Bearing Stopper	1	1	
23	DP 1011 91	Bolt Shifter	1	1	
24	JG 5710 14	Oil Filter	1	1	
25	JG 5710 16	O-Ring	1	1	
26	JE 5412 18	Cap Oil Filter (MAGD3)	1	-	Ref. Cir. IB-82
	JL 5412 37	Cap Oil Filter	-	1	
27	KA DP05 16	Hexagonal Flange Bolt	2	2	

Crankcase LH



No.	Part No.	Description	Qty.		Remarks
			200 NS	200 AS	
1	36 JL00 03	Kit Assly. Crankcase LH	1	1	
2	LA E000 14	Bolt Flanged	2	2	
3	DH 1013 81	Pre Coated pan Screw	1	1	
4	JG 5410 63	Bracket Harness Upper	1	1	
5	JG 5410 44	Bracket Harness Lower	1	1	
6	39 1773 04	Bolt M-5 x 16	2	2	
7	JL 3518 00	Neutral Indicator Switch	1	1	
8	39 1043 19	Seal Oil	1	1	Gear Change lever
9	KE BA37 15	Circlip Internal	1	1	Output Shaft
10	DG 1014 56	Seal Oil	1	1	Output Shaft
11	59 2000 06	Bearing Ball	1	1	Output Shaft
12	JG 5410 15	Needle Bearing	1	1	Drum
13	39 2562 20	Needle Bearing	1	1	
14	JG 5710 24	Mesh Oil Filter Assly.	1	-	
	JY 5710 30	Mesh Stainer Assly	-	1	
14a	LJ A000 04	'O' ring Strainer	1	1	N.I.
15	JA 5410 48	Strainer Cap with 'O' Ring	1	1	
16	JG 5410 41	Gasket Crankcase	1	1	
17	36 JL00 14	Kit Engine Gasket	1	1	N.I.
18	JG 5410 58	Chain Guard	1	1	
19	KB BG06 12	Pan Screw Head	3	3	N.I.
20	JG 5410 74	Oil Nozzle	1	1	N.I.
21	KA EQ06 40	Bolt Flange	10	10	
22	LA D000 81	Bolt Flange Pre coated	4	4	
23	39 2181 06	Hollow Pin Dowel	4	4	N.I.

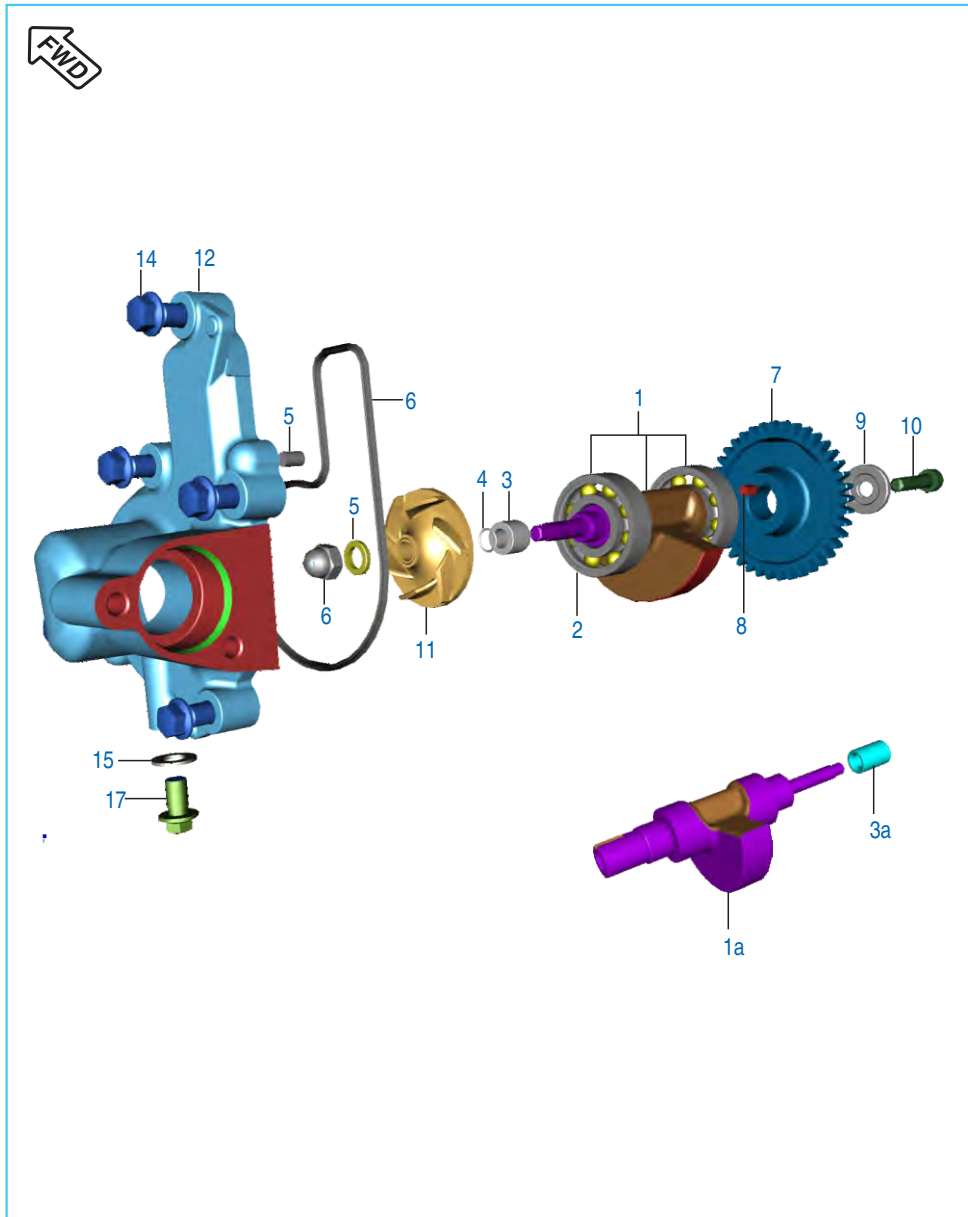
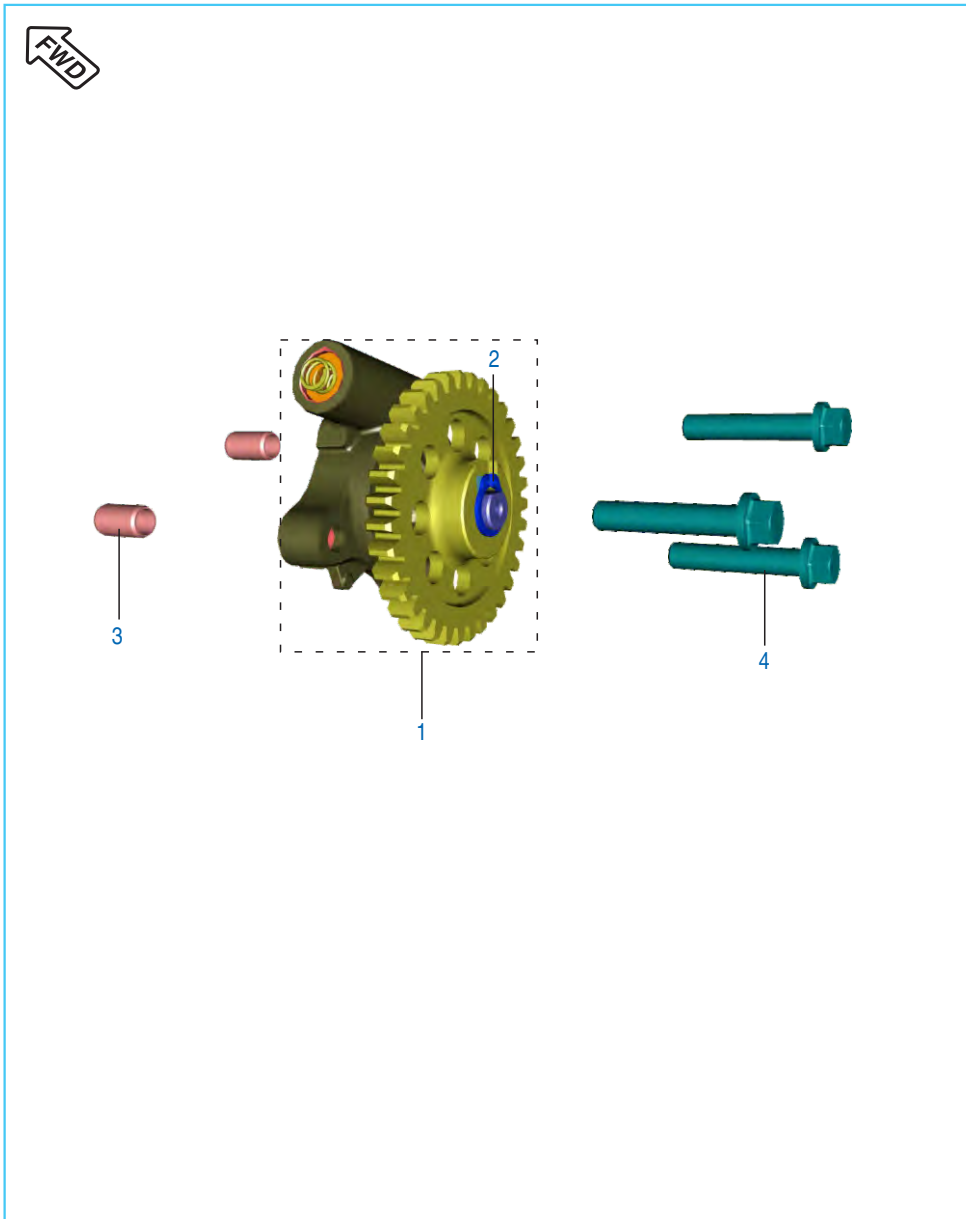


Plate No.: 12

Balancer Idler Gear / Water Pump

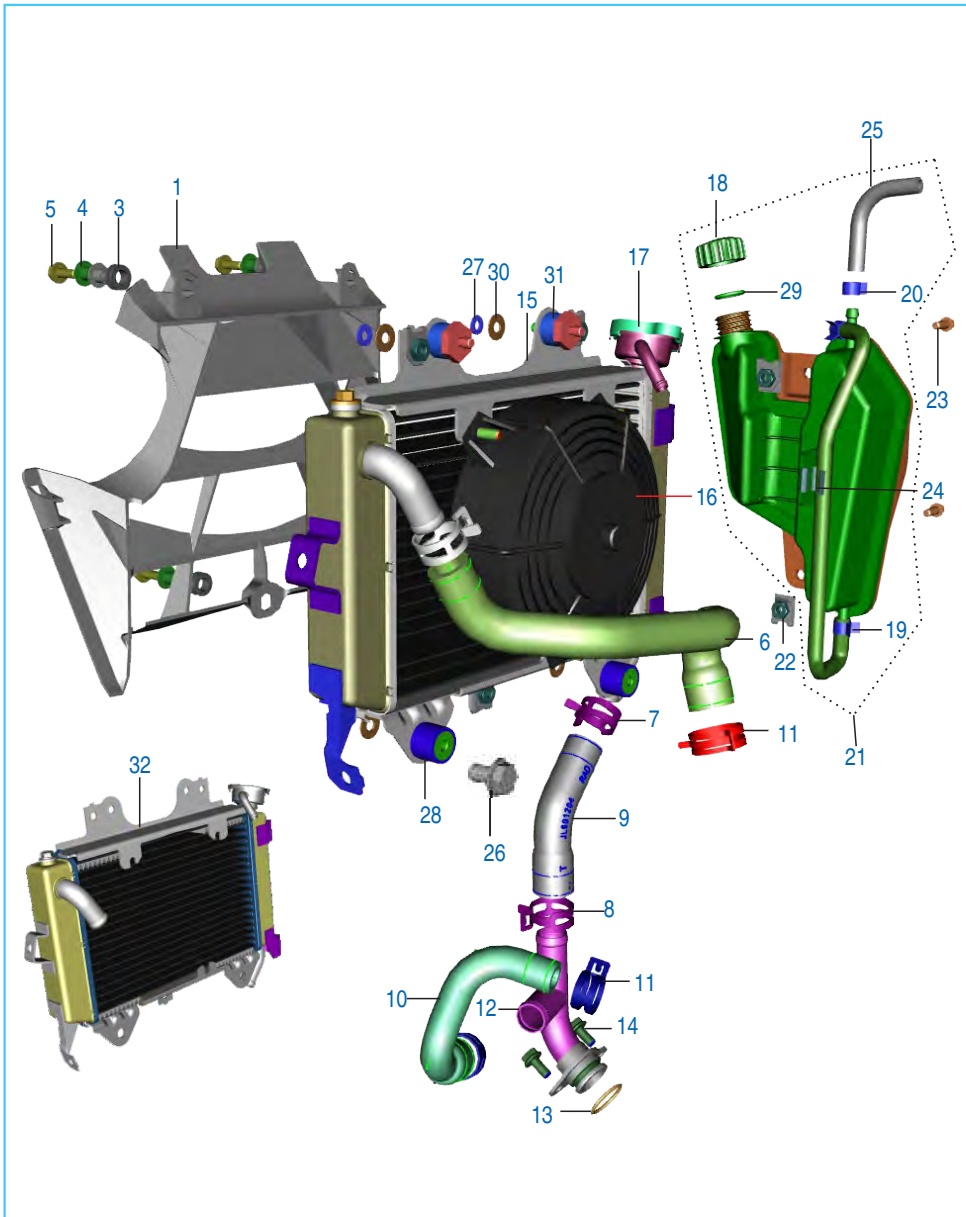
No.	Part No.	Description	Qty.		Remarks
			200 NS	200 AS	
1	JU 5312 13	Balancer Assy	1	-	N.S
	JU 5312 15	Balancer Assy	-	1	
1a	JL 5312 04	Balancer Assy	1	1	Ref. Cir. IB-214
2	59 2000 36	Balancer Bearing (6203/HN3C3D8)	2	2	
3	JG 5312 11	Sleeve Balancer Driven	1	-	
	JG 5312 28	Sleeve Balancer Driven	-	1	w.e.f. Apr. 2013
3a	JL 5312 03	Sleeve Balancer Driven	1	1	Ref. Cir. IB-214
4	JG 5312 12	O Ring Balancer Driven	1	-	
	JG 5312 29	O Ring Balancer Driven	-	1	w.e.f. Apr. 2013
5	JG 5312 15	Washer (2.5MM)	1	1	
6	JG 6010 05	Dome Nut	1	1	
7	JG 5312 07	Gear Balancer Driven	1	1	
8	DS 1011 54	Key	1	1	
9	DH 1010 48	Washer - Special :- Camshaft	1	1	
10	DK 1013 86	Pre-coated Soc Hd Cap Bolt M8X40	1	1	
11	JG 6010 13	Water Pump Rotor	1	1	
12	JL 6010 05	Cover Water Pump	1	1	
13	JG 6010 12	O-Ring (Water Pump Cover)	1	1	
14	KA EQ06 20	Bolt Hexagonal	5	-	
	KA EQ06 20	Bolt Hexagonal	-	5	
15	39 1665 11	Washer - Seal :- 6	1	1	
16	39 2606 07	Pin - Parallel	2	2	N.I
17	KA DQ06 06	Hex Bolt Flange Pre-coated	1	1	

Oil Pump

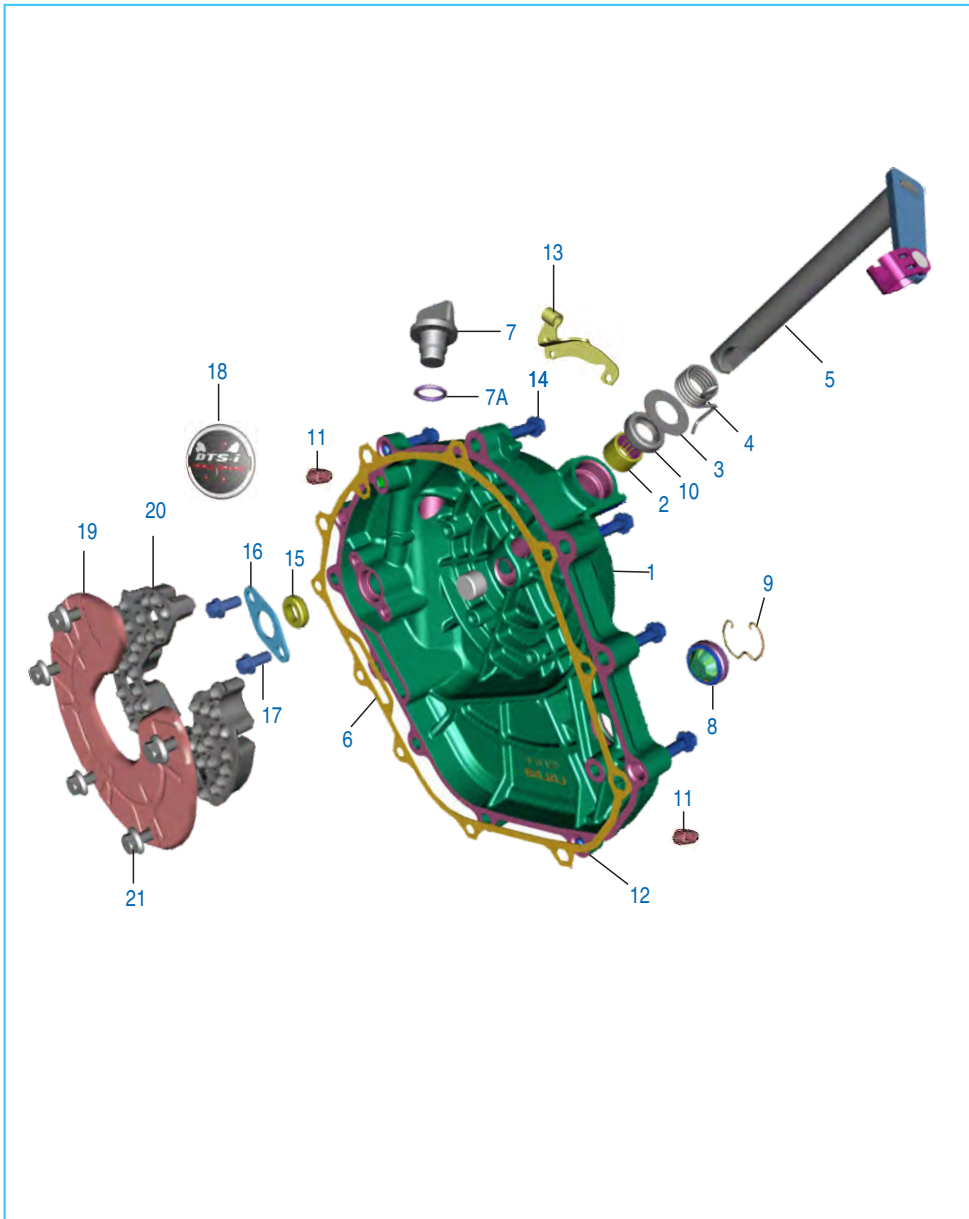


No.	Part No.	Description	Qty.		Remarks
			200 NS	200 AS	
1	JU 5710 00	Oil Pump Assy Comp	1	1	
2	KE AA10 10	Circlip	1	-	
	KE AB10 10	Circlip	-	1	
3	39 0999 06	Pin - Hollow Dowel	2	2	
4	LA E000 18	Bolt Flanged M6X1X30L-Precoated	3	3	

Radiator



No.	Part No.	Description	Qty.		Remarks
			200 NS	200 AS	
1	JL 6012 10	Cowl Radiator	1	1	
2	DJ 1810 65	Nut - Clip :- M6	3	3	
3	JL 1812 56	Grommet For Radiator Cowl	3	3	
4	JL 6012 31	Sleeve Cowl Mounting	3	3	
5	39 1944 04	Bolt-Flange Dia-06 L-12	3	3	
6	JL 6010 00	Hose Thermostat To Radiator	1	1	
7	JG 6012 34	Clamp Radiator Pipe	2	2	
8	JG 6012 09	Clamp Radiator Pipe Dia 19.8	2	2	
9	JL 6012 20	Coolant Hose Radiator To T	1	1	
10	JL 6012 19	Hose By Pass To Pump	1	1	
11	JL 6012 12	Clamp Radiator Dia 19	1	1	
12	JL 6012 28	Coolant Pipe T Assembly	1	1	
13	LJ A000 05	O-Ring Coolant Pipe	1	1	
14	DJ 1013 02	Bolt - Hexagon Head	2	2	alternate
15	JL 6012 00	Radiator Assly	1	1	
16	JG 6012 37	Radiator Fan	1	1	
17	JG 6012 35	Pressure Cap Radiator (Metallic)	1	1	
18	JG 6012 11	Cap Expansion Tank	1	1	
19	JL 6012 15	Clamp -Expansion Tank	2	2	
20	JG 1710 29	Spring Band Clip 10 Mm	3	3	
21	JL 6012 35	Expansion Tank Assly.	1	1	
22	DJ 1810 65	Nut - Clip :- M6	2	2	
23	KA DF06 16	Bolt - Flanged	2	2	
24	JL 6012 27	Hose -Expansion Tank	1	1	
25	JL 6012 14	Hose -Expansion Tank Top	1	1	
26	LA D000 40	Bolt Flange M6 - 6L	3	3	
27	39 2704 11	Washer Spring	4	4	
28	JG 5810 14	Silent Block	4	4	
29	JG 6012 30	O Ring Expansion Tank	1	1	
30	39 2704 11	Plain Washer	4	4	
31	JL 6012 16	Rubber Damper Radiator Mtg,	2	2	
32	JL 6012 34	Radiator Core	1	1	



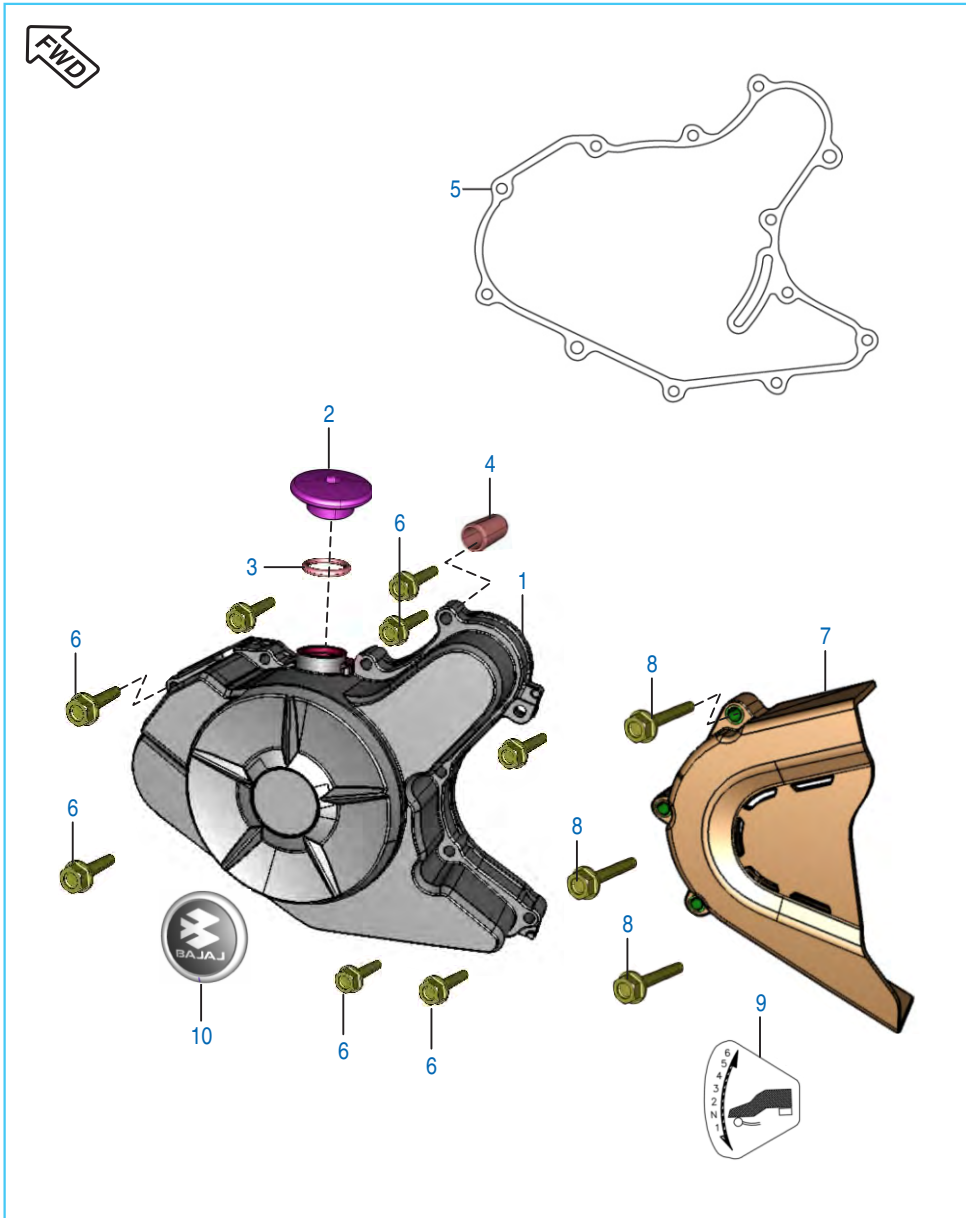
 Front Wheel Direction

Plate No.: 15

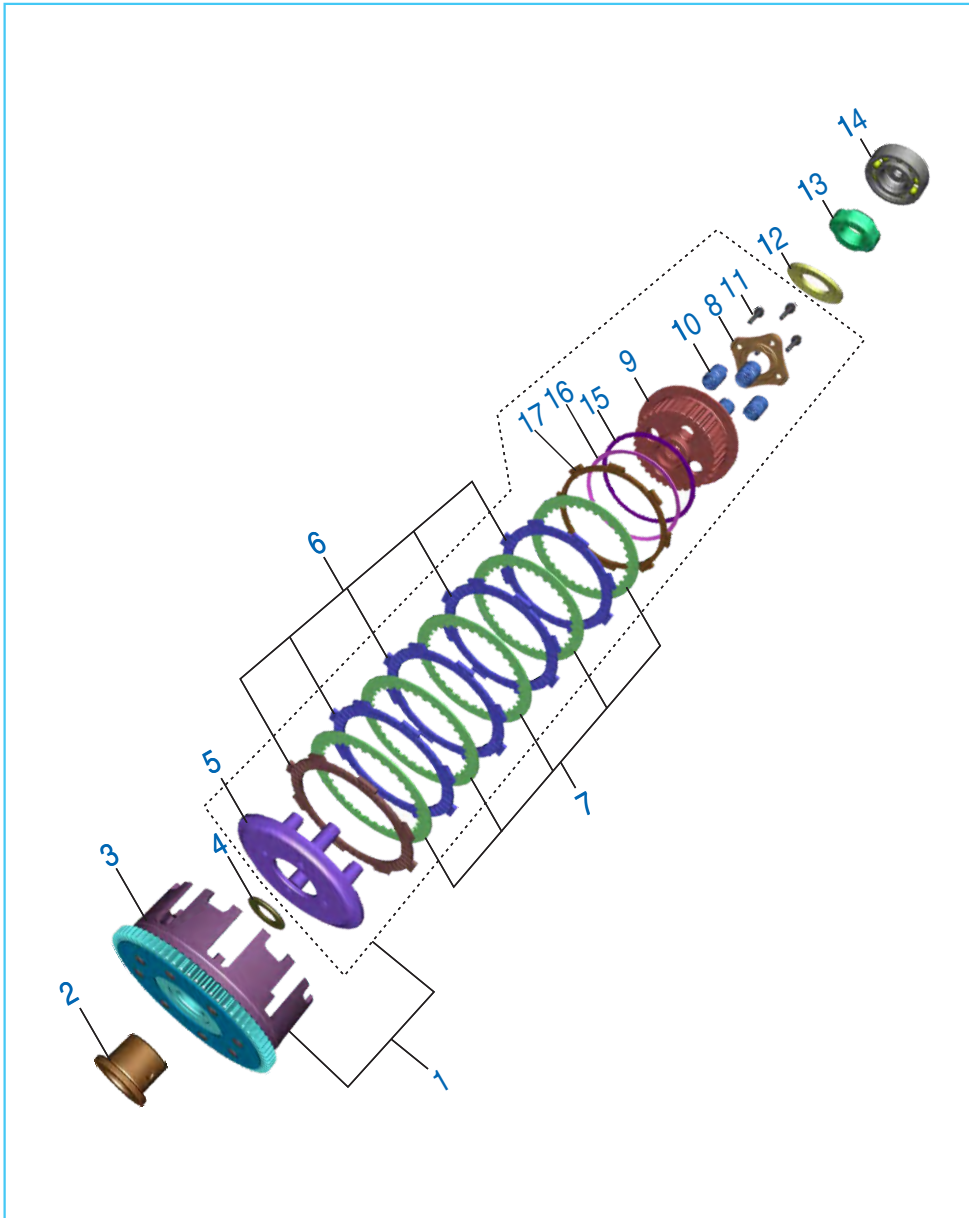
Cover Clutch

No.	Part No.	Description	Qty.		Remarks
			200 NS	200 AS	
1	52 JL00 73	Kit Asly Clutch Cover	1	-	With Nozzle, NRB, Jet Ref. Cir. IB-82
	52 JL01 43	Clutch Cover Assly (Semi Finished MAGD3)	1	-	
	DT 5412 12	Assly CI Cover	-	1	
2	39 1990 20	Bearing - Needle	1	1	
3	LD B000 20	Washer 12.5X24X0.8T	1	1	
4	JG 5510 17	Spring	1	1	
5	JG 5510 15	Shaft Clutch Release Assy	1	-	
	DT 5410 19	Shaft Clutch Release Assy	-	1	
6	JU 5514 01	Rod Push	1	1	
7	JG 5412 30	Cap Oil Filling	1	1	
7A	39 1537 21	Ring 'O'	1	1	
8	DG 1014 18	Gauge	1	-	
	JL 5412 27	Window Oil Gauge	-	1	
9	DS 1012 15	Clip - Wire	1	1	
10	39 1041 19	Seal - Oil	1	1	
11	39 0999 06	Pin - Hollow Dowel	2	2	
12	JL 5412 07	Gasket Clutch Cover	1	1	
13	JL 5412 10	Bracket Clutch Cable	1	-	
	JL 5412 46	Bracket Clutch Cable	-	1	
14	KA DQ06 30	Bolt Flanged	11	-	
	KA EQ06 30	Bolt Flanged	-	11	
15	39 1046 19	Seal - Oil	1	1	
16	JG 5412 31	Plate -position	1	1	
17	AA 1014 37	Bolt M6	2	2	
18	JL 5412 22	Decal Triple Spark	1	1	
19	JL 5412 30	Damper Clutch Cover	1	1	
20	JL 5412 31	Plate Damper Clutch Cover	1	1	
21	DH 1013 88	Bolt M5 X 10	5	5	
22	JL 5412 18	Jet	1	1	

Cover Magneto



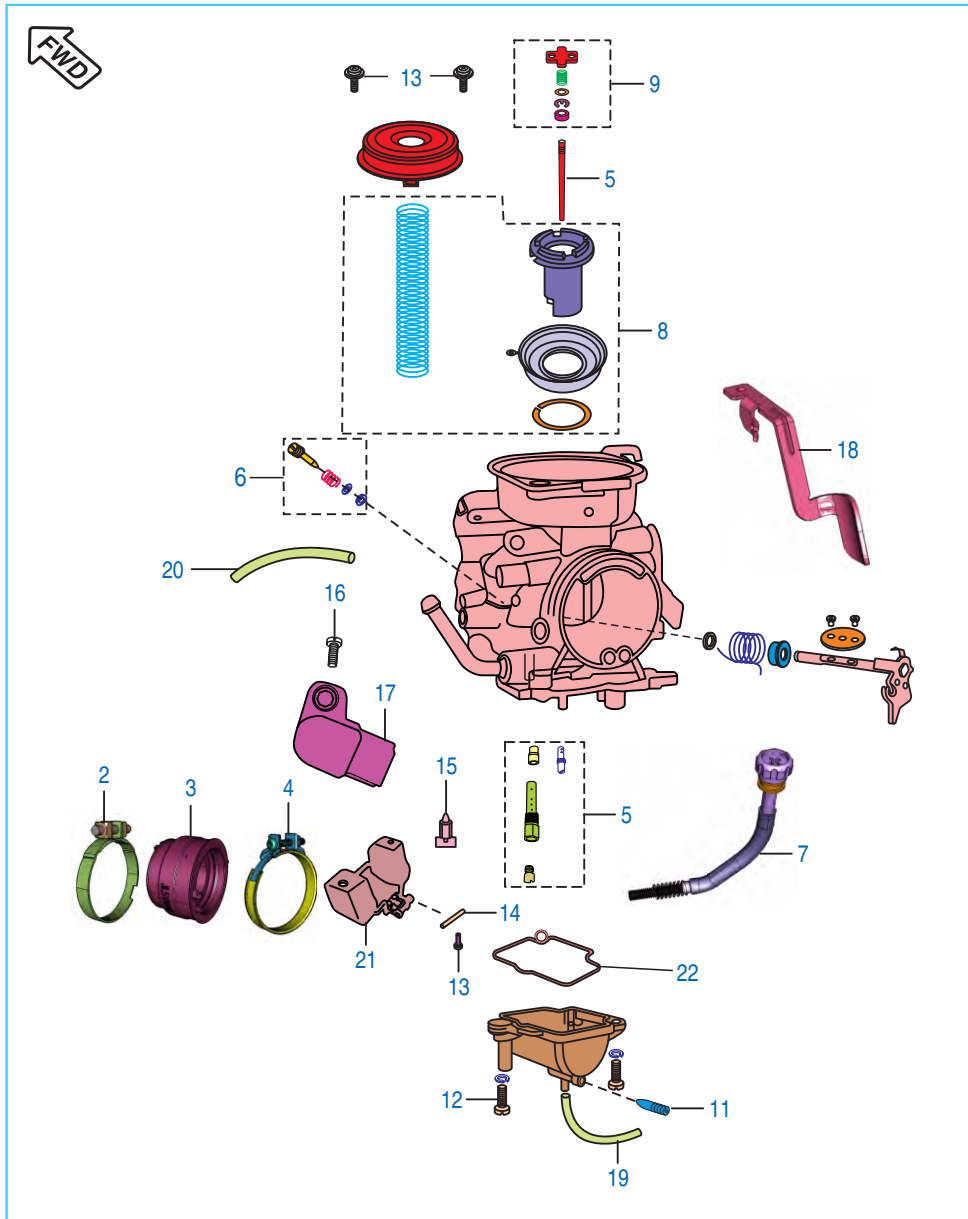
No.	Part No.	Description	Qty.		Remarks
			200 NS	200 AS	
1	JL 5412 20	Cover Magneto	1	-	
	52 JL02 07	Cover Magneto (Semi Finished MAGD3)	1	1	Ref. Cir. IB-82
	JL 5412 44	Cover Magneto	1	-	For Argentina
	JL 5412 43	Magneto Cover Assly	1	1	
2	JL 5412 45	Cap TDC Finder	1	1	
3	30 1011 95	Ring - O	1	1	
4	39 0999 06	Pin - Hollow Dowel	2	2	
5	JL 5412 08	Gasket Magneto Cover	1	1	
6	KA DQ06 30	Bolt Flanged	9	-	
	KA EQ06 30	Bolt Flanged	-	9	
7	JL 5412 03	Cover LH RR	1	1	
8	KA EQ06 45	Hex Headed Bolt Flange	3	3	
9	JL 2330 15	Gear Shift Label-6 Speed	1	1	
10	JL 5412 23	Decal 'Bajaj logo'	1	1	



Clutch Assly

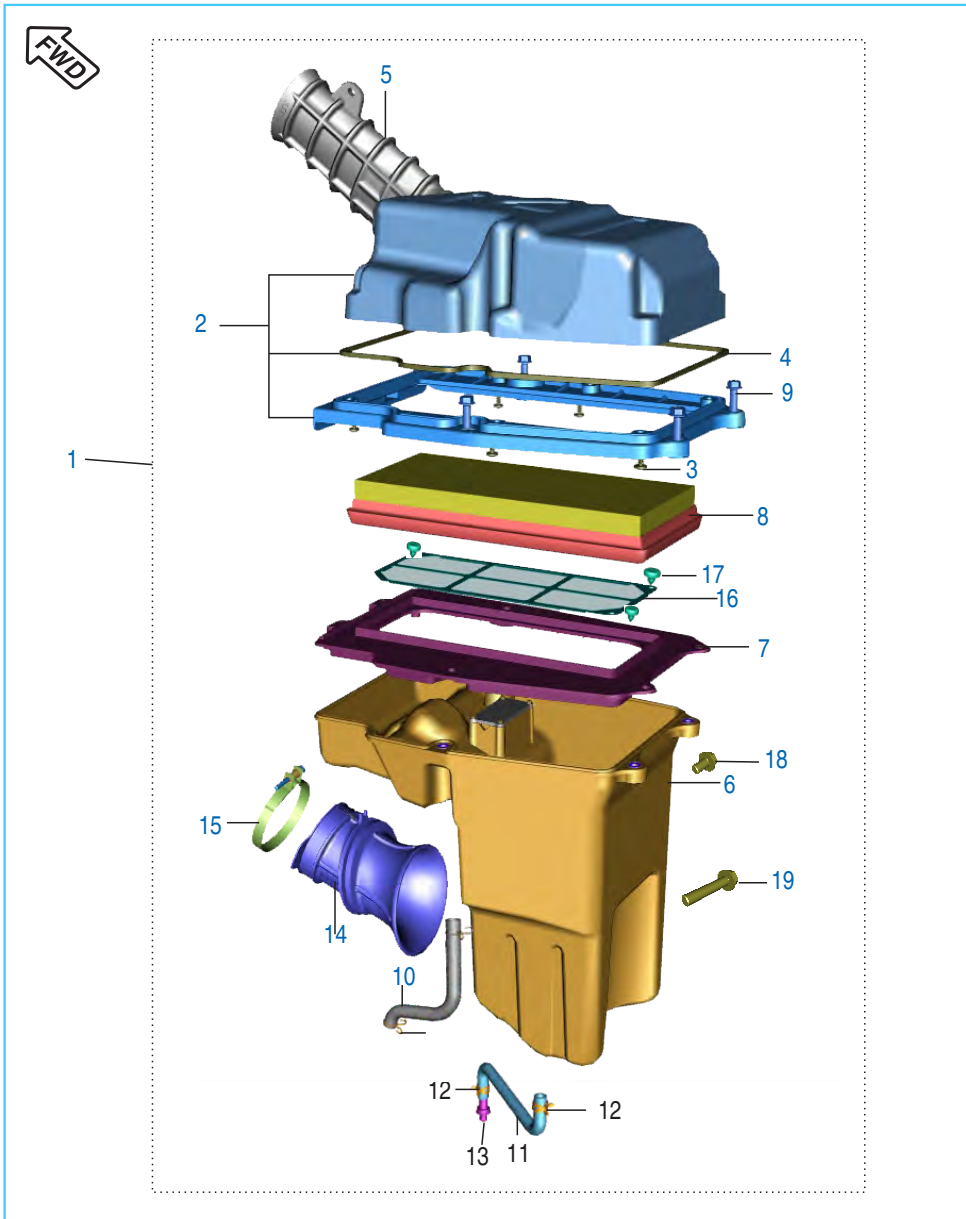
No.	Part No.	Description	Qty.		Remarks
			200 NS	200 AS	
1	JU 5514 04	Clutch Assy Comp	1	-	N.I
	DT 5514 00	Clutch Assy Comp	-	1	
2	JG 5514 27	Collared Bush	1	1	
3	36 JL00 05	Kit Set Primary Drive & Driven Gear	1	1	
4	JG 5514 28	Washer Clutch	1	1	
5	JG 5514 49	Plate (Wheel Clutch)	1	-	
	DT 5514 02	Clutch Pressure Plate	-	1	
6	36 JU00 02	Kit Friction Plate	1	1	
7	JG 5514 47	Pressure Plate	5	5	
8	JG 5514 43	Clutch Holder	1	-	
	DT 5514 01	Clutch Center	-	1	
9	JU 5514 06	Clutch Center_G2	1	1	
10	JU 5514 02	Spring -Clutch	4	-	
	DT 5514 03	Spring -Clutch	-	4	
11	JG 5514 51	Bolt Sh 6*22	4	4	
12	39 2200 11	Washer - Plain (Primary Drive Gear)	1	1	
13	DH 1016 48	Nut Clutch Center Lock (Pre-coated)	1	1	
14	JG 5514 23	Clutch Lifter Bearing	1	1	
15	DP 1012 43	Plate Judder Spring	1	-	
16	DP 1011 14	Spring Anti Judder	1	-	
17	DP 1011 09	Plate Friction Reduced	1	-	

Carburettor



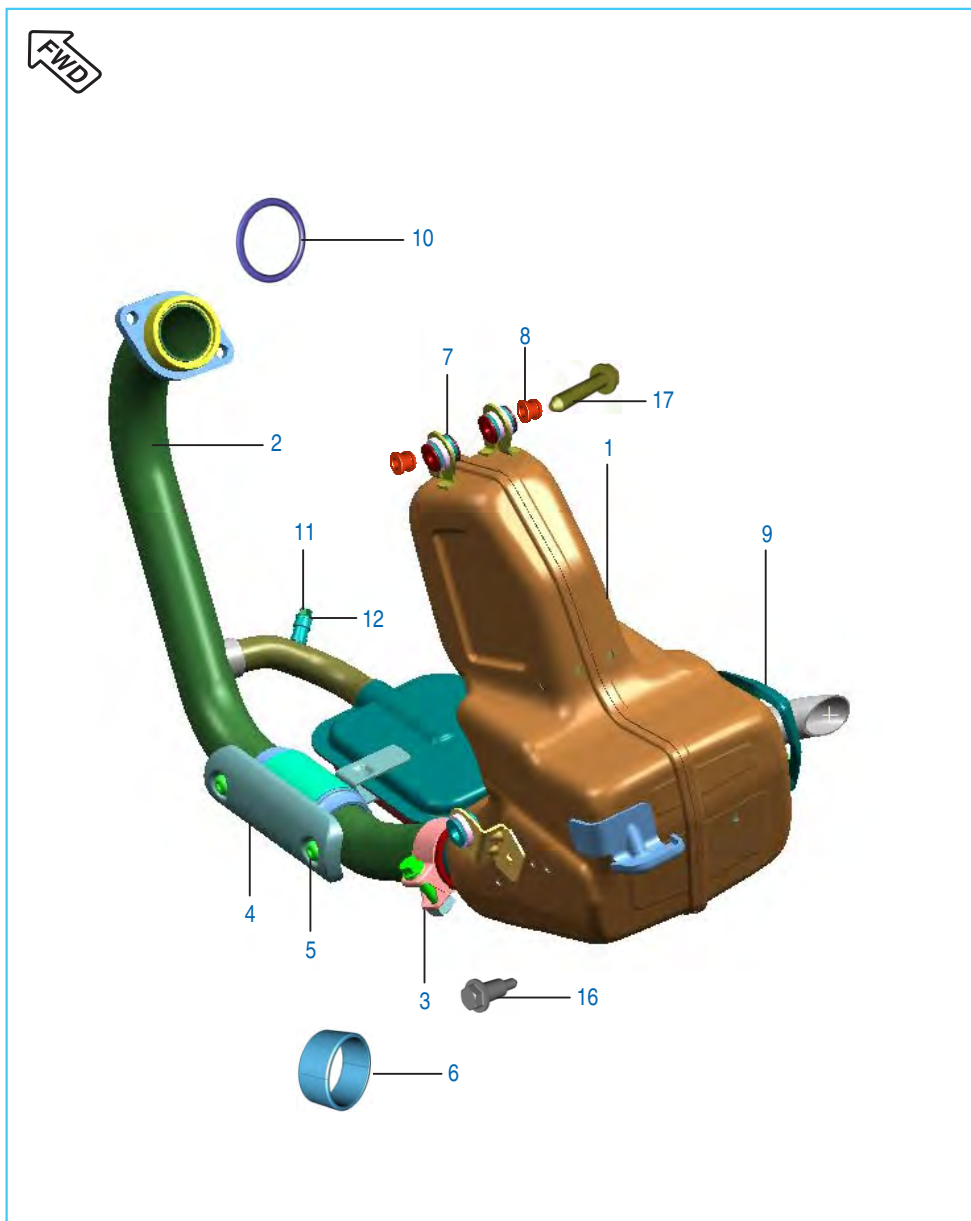
No.	Part No.	Description	Qty.		Remarks
			200 NS	200 AS	
1	JL 5812 01	Carburetor	1	1	
2	JL 5813 00	Clamp (Duct Carburetor)	1	1	
3	JL 5110 16	Insulator Rubber	1	1	
4	JL 5810 27	Clamp	1	1	
5	36 JL00 19	Kit Jet P200	1	1	
6	36 JL00 20	Kit VC Screw P200	1	1	
7	36 JL00 21	Kit Idling Screw	1	1	
8	36 JL00 22	Kit Piston Valve P200	1	1	
9	36 JL00 24	Kit Jet Needle Hardware P200	1	1	
10	36 JL00 23	Kit Gasket / O-ring P200	1	1	
11	JA 5813 14	Drain Screw	1	1	
12	CB 1210 42	Float Chamber Screw	2	2	
13	DH 1210 64	Screw Needle Shaft	3	3	
14	DH 1210 63	Float Needle	1	1	
15	DK 1210 47	Needle Assly.	1	1	
16	39 1780 01	Screw Pan - M5	2	2	
17	JD 3518 00	TPS Assly.	1	1	
18	JL 5812 04	Choke Lever	1	1	
19	JL 5812 05	Tube Drain Carb.	1	1	
20	JL 5812 06	Tube Breather	1	1	
21	DK 1210 45	Float Assembly	1	1	
22	36 JE00 22	Kit O Ring & Gasket	1	1	

Air Cleaner Complete



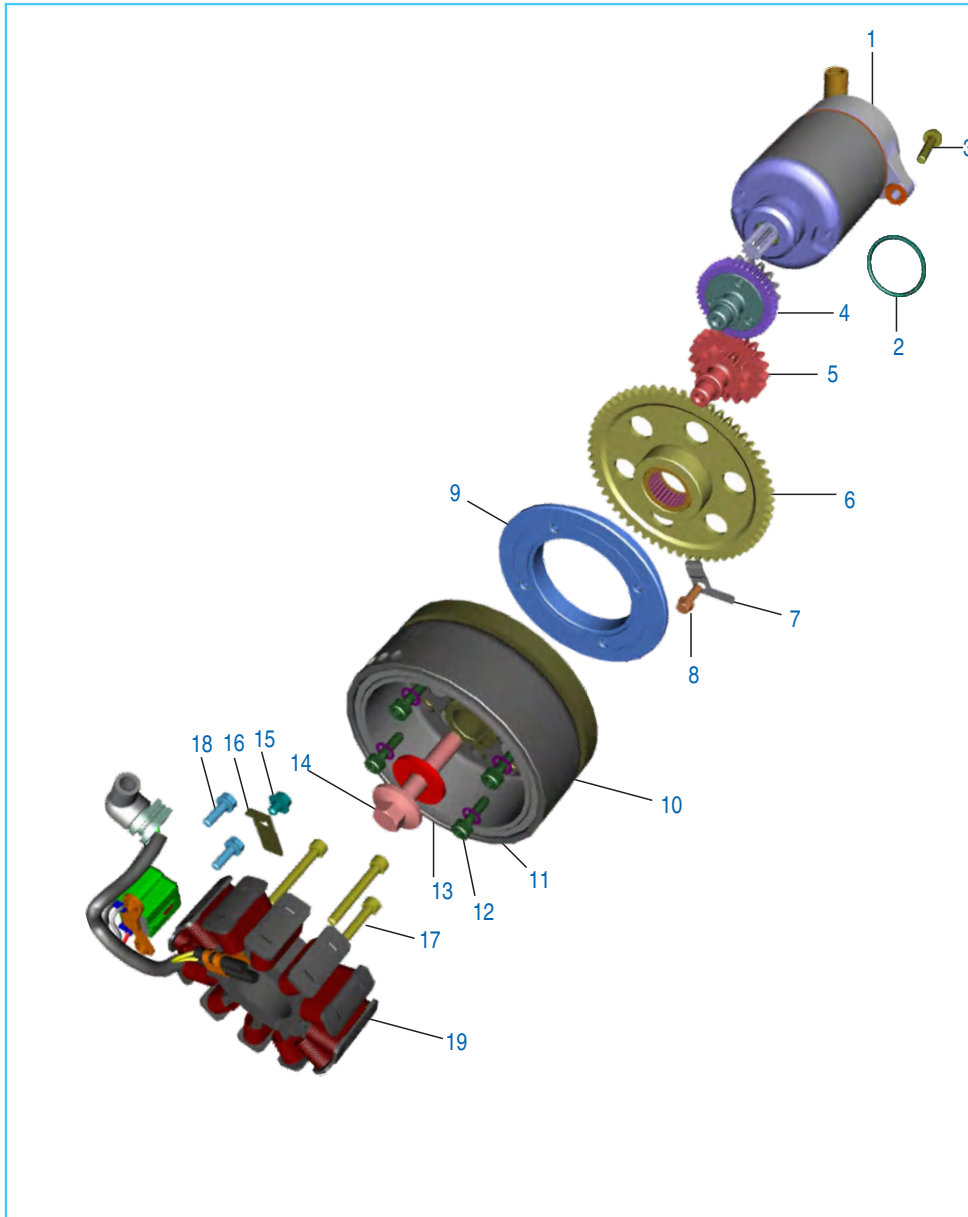
No.	Part No.	Description	Qty.		Remarks
			200 NS	200 AS	
1	JL 5810 50	Air Filter Assembly	1	1	
2	JL 5810 23	Assembly Top Cover	1	1	
3	LB B000 04	Screw Cross Pan Hd Bt6*11L	6	6	
4	JL 5810 25	Seal Top Cover	1	1	
5	JL 5810 07	Entry Duct	1	1	
6	JL 5810 24	Assembly Bottom Cover	1	1	
7	JL 5810 18	Plate Air Filter Mounting	1	1	
8	JL 5810 09	Filter Element	1	1	
9	KA EM06 22	Bolt-Flange	4	4	
10	JL 5810 16	Tube Breather Assly	1	1	
11	JL 5810 15	Tube Drain Assembly	1	1	
12	DG 1210 02	Clamp	2	2	
13	DS 1211 26	Plug	1	1	
14	JL 5810 10	Tube Connecting	1	1	
15	AP 1210 64	Clamp	1	1	
16	JL 5810 04	Flame Arrester	1	1	
17	KB QA35 06	Screw Tapping Pan Slotted	3	3	
18	KA DM06 10	Bolt Flange M6-L10mm	1	1	RH Mounting
19	KA DA06 30	Bolt Flange M6-L33mm	1	1	RH Mounting
20	39 0239 11	Plain Washer	2	-	N.I. RH Mounting
	LD B000 23	Plain Washer	-	2	

Silencer Assembly



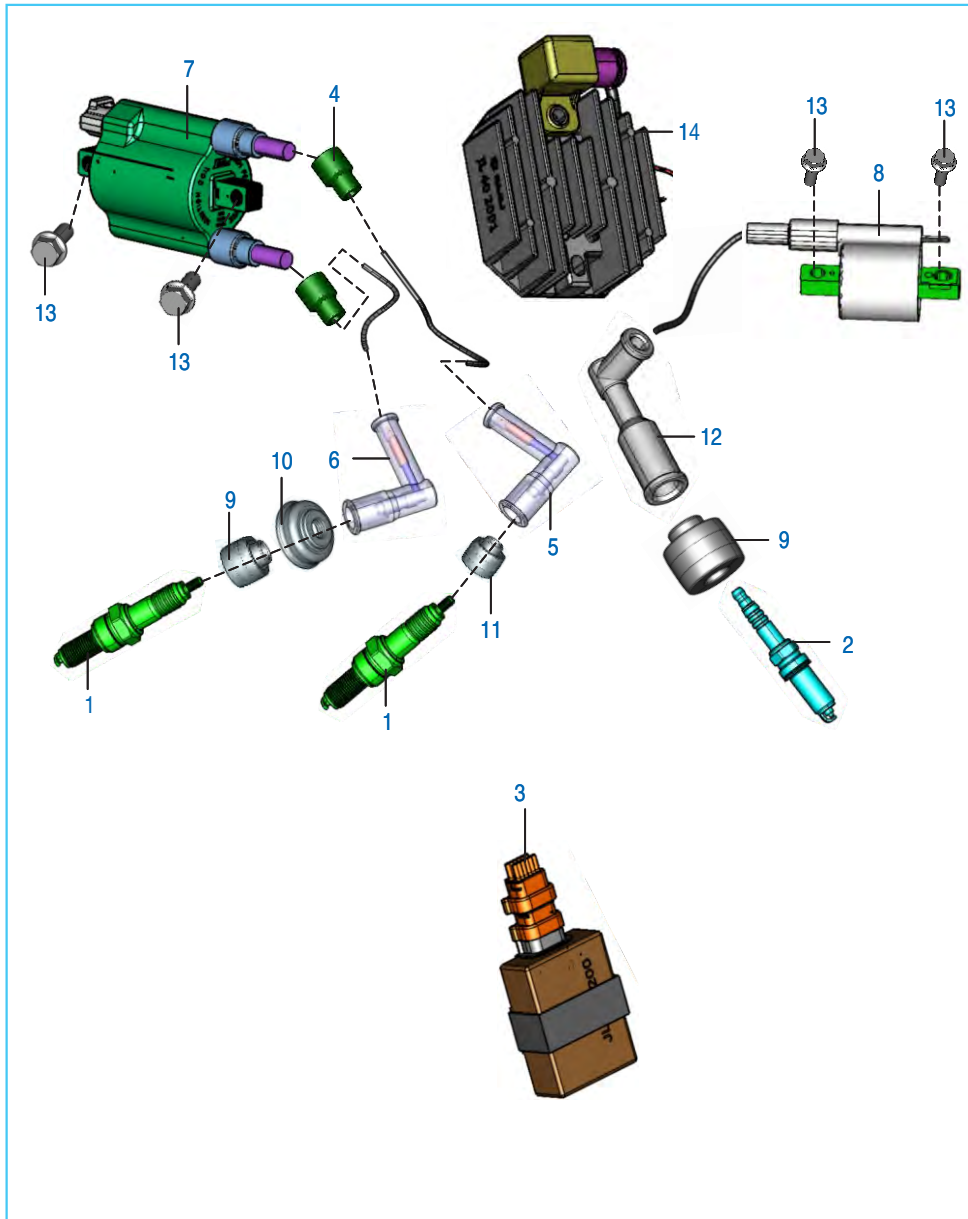
No.	Part No.	Description	Qty.		Remarks
			200 NS	200 AS	
1	JL 5910 52	Assembly Muffler	1	1	
2	JL 5910 48	Pipe Exhaust A Assly	1	1	
3	JG 5910 38	Band Clip	1	1	
4	JL 5911 44	Shield Catalytic Converter	1	1	
5	DH 1016 07	Truss Screw	4	4	
6	JG 5910 39	Gasket Muffler Pipe-A	1	1	
7	JG 5910 96	Bush Silencer Mounting	4	4	
8	JG 5910 97	Damper Silencer Mounting	4	-	
	JL 5911 65	Damper Silencer Mounting	-	4	
9	JL 5910 75	Heat Shield	1	1	
10	JG 5910 70	Gasket Exhaust	1	1	
11	KA DA05 10	Bolt Hex	1	1	
12	39 2492 11	Plain Washer	1	1	N.S
13	JG 5910 53	Damper Silencer Mounting	4	4	
14	KA DQ06 25	Bolt M6	2	2	
15	JG 5910 88	Clip Nut M6	2	2	
16	JL 5910 86	Bolt Stepped	2	2	
17	JL 5911 48	Bolt Hex Flange	2	-	
	KA DA 06 30	Bolte Flanged	-	2	
18	39 2304 04	Bolt	2	2	N.I.
19	JL 5911 57	Sleeve Bottom	2	2	

Starter Assembly



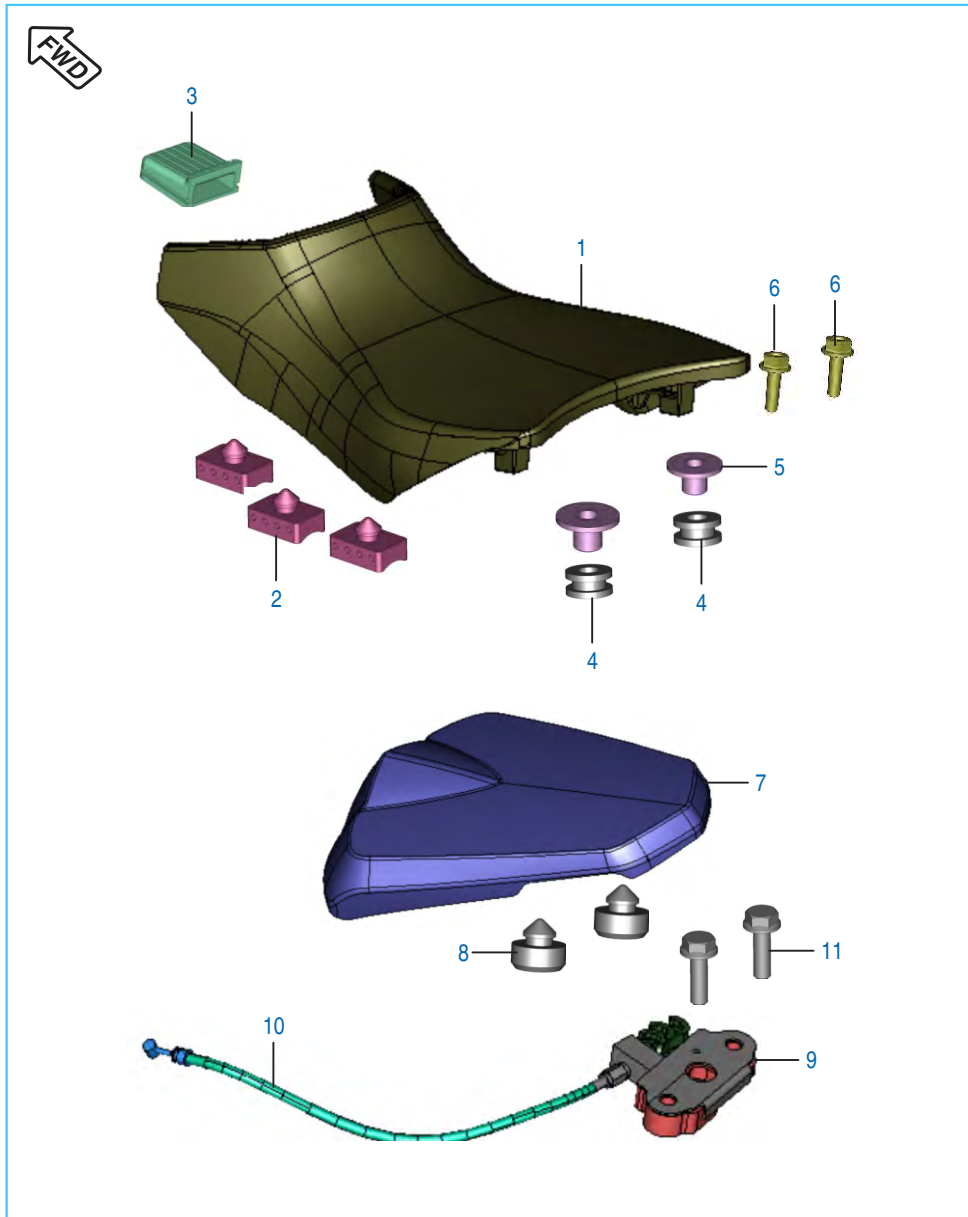
No.	Part No.	Description	Qty.		Remarks
			200 NS	200 AS	
1	JL 3516 00	Starter Motor Assly	1	1	
2	JA 3516 27	'O' Ring Starter motor	1	1	
3	KA Dq06 25	Bolt M6 Moto Mtg.	1	1	
4	JG 6214 13	Gear Starter Counter 2 Assly	1	1	
5	JG 6214 12	Gear Starter Counter 1	1	1	
6	JG 6214 17	Assly Gear Starter Clutch	1	1	
7	JG 5410 43	Retainer Gear Starter	1	1	
8	39 1672 04	Bolt Flanged	1	1	
9	JG 3510 19	Body Complete Starter Clutch	1	1	
10	JL 3510 09	Rotor Assly W/O Clutch	1	1	
11	39 0849 14	Washer - Lock :0 Toothed	4	4	
12	DH 1013 89	Pre-coated Screw	4	4	
13	39 2165 11	Plain Washer	1	-	
	LD B000 10	Plain Washer	-	1	
14	DH 1013 96	Bolt Flanged	1	1	
15	LA E000 16	Bolt Flanged M5 X 13L	1	1	
16	DH 1011 99	Plate Stopper(Wiring Harness)	1	1	
17	DK 1012 84	Hex Socket Head Screw	3	3	
18	LA E000 10	Bolt Flanged M5 X 13 L	2	2	
19	JL 3510 38	Stator Assly Compl.	1	1	
	JL 3510 32	Stator Assly Compl.	1	-	For Argentina

Magneto, CDI & H.T. Coil



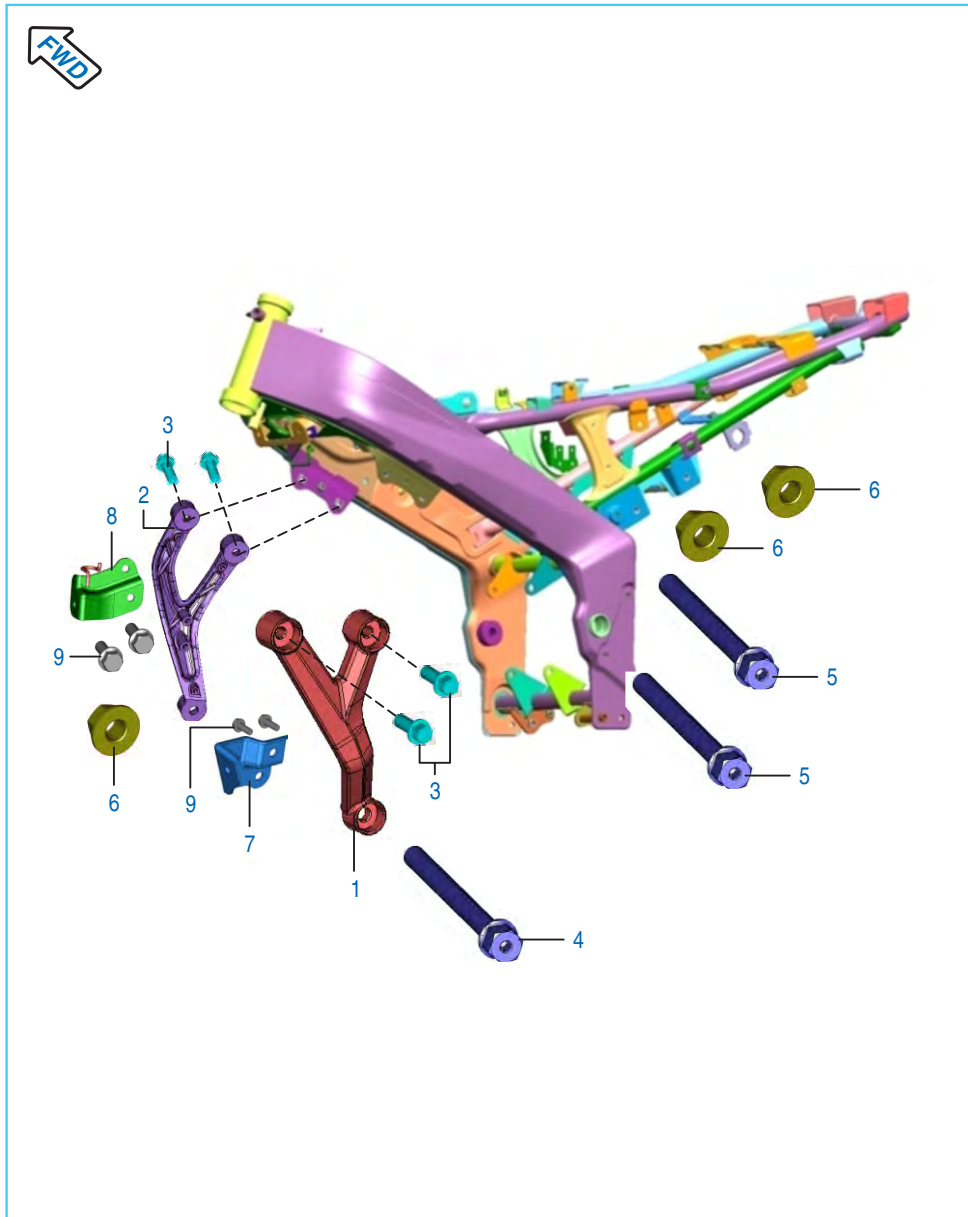
No.	Part No.	Description	Qty.		Remarks
			200 NS	200 AS	
1	DK 1110 28	Spark Plug RG6HC	2	2	
2	JG 3512 09	Ignition Spark Plug	1	1	
3	JL 3512 00	DC CDI With Sealed Coupler	1	-	
	JL 3512 41	DC CDI With Sealed Coupler	-	1	
4	DD 1110 12	Grommet For H. T. Cable	2	2	
5	JD 3512 07	Spark Plug Cap	1	1	
6	AN 1110 15	Spark Plug Cap	1	1	
	JL 3512 01	Ignition Coil with Cable LH	1	-	Twin Output
7	JL 3512 32	Coil HT	-	1	
	JL 3512 02	Ignition Coil with Cable RH	1	-	
8	JL 3512 30	Coil HT	-	1	
	DH 1110 13	Grommet - Spark Plug	2	2	
9	DH 1110 16	Grommet - Sleeve Spark Plug	1	1	
10	DH 1110 16	Grommet - Sleeve Spark Plug	1	1	
11	DD 1110 11	Grommet - Spark Plug Cap	1	1	
12	DK 1110 11	Cap Spark Plug	1	1	
13	39 1944 04	Bolt - Flanged	4	4	
14	JL 4020 01	Regulator Assly	1	1	
	JL 4020 02	Regulator Assly	1	-	For Argentina

Seat Assembly / Seat Lock



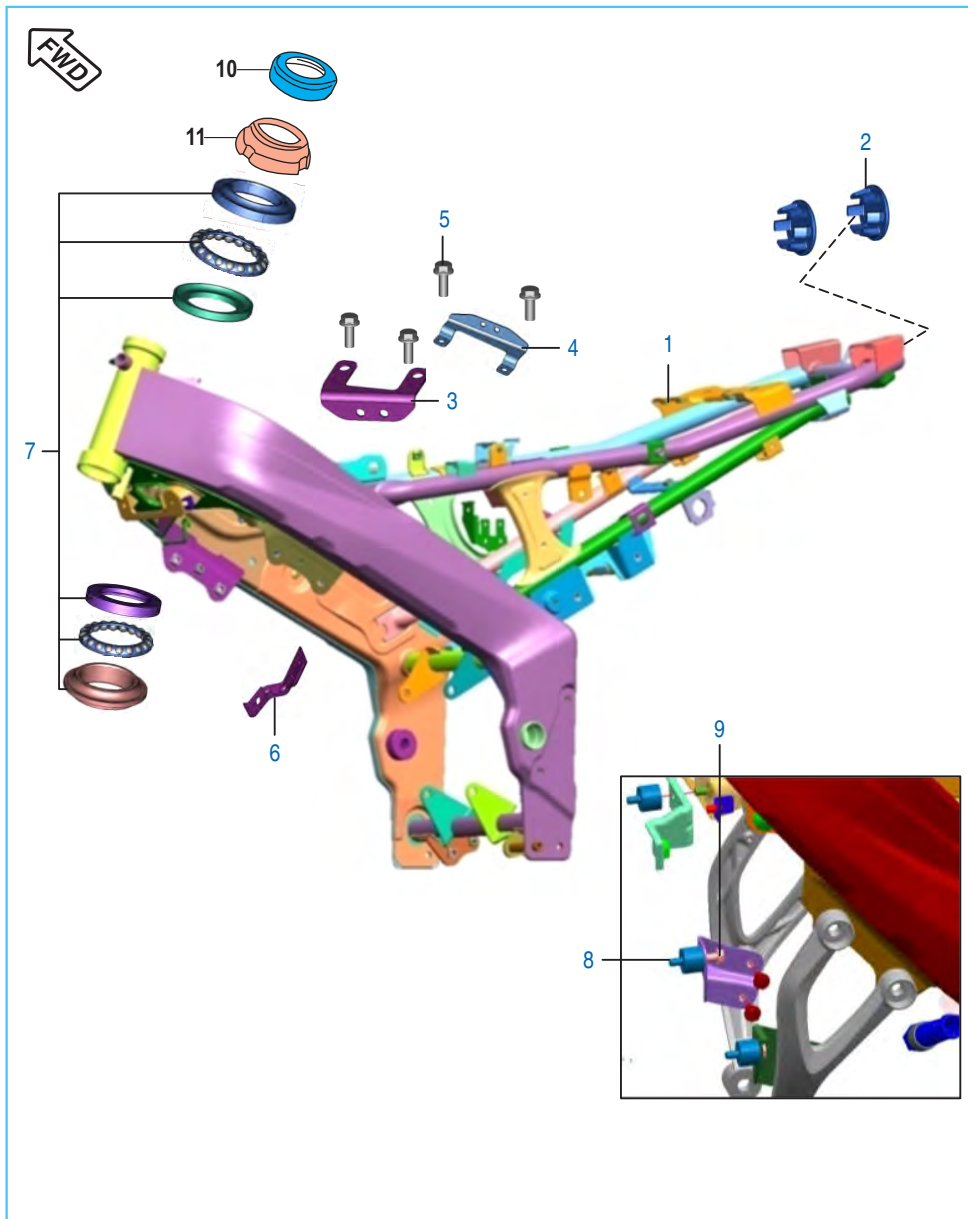
No.	Part No.	Description	Qty.		Remarks
			200 NS	200 AS	
1	JL 1910 01	Seat Assy Comp Front	1	1	
2	36 JL00 13	Kit Damper For Seat	1	1	Refer Page No.107
3	DK 2110 07	Damper Seat Front	1	1	
4	JG 1910 08	Collar -Seat	2	2	
5	FD 2110 06	Grommet - Seat	2	2	
6	DS 1612 87	Flange Bolt - M6	2	2	
7	JL 1910 04	Seat Assy Comp Rear	1	1	
8	JD 1910 06	Damper Round	2	2	
9	JG 2326 01	Lock Assy Seat Rear	1	1	
10	JG 2326 06	Seat Lock Cable	1	1	
11	39 1913 04	Bolt - Flanged	2	-	
	KA DE06 20	Bolt Flanged	2	-	Ref. Cir IB-82
	KA DF06 22	Bolt Flanged	-	2	

Engine Mountings



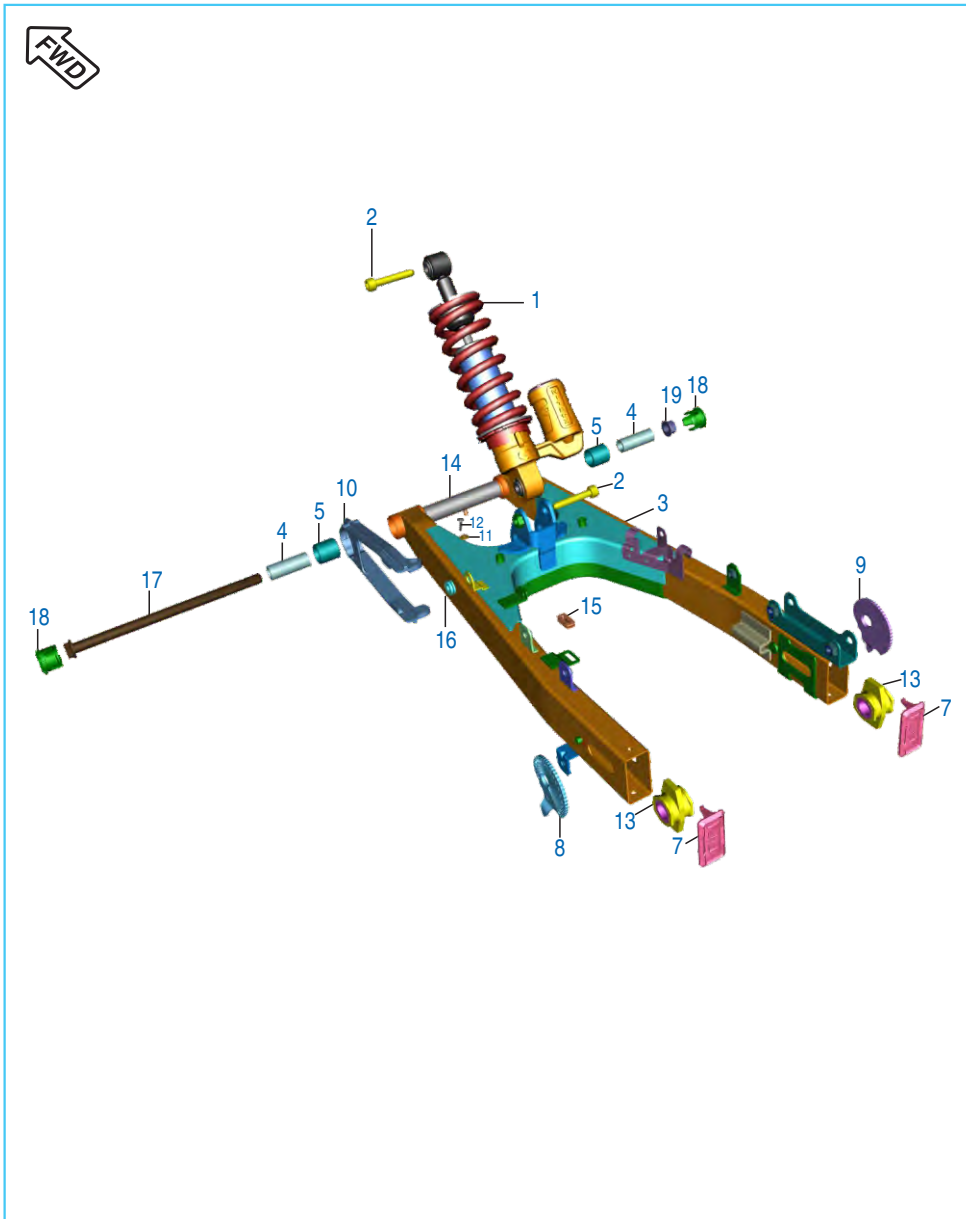
No.	Part No.	Description	Qty.		Remarks
			200 NS	200 AS	
1	56 JL06 01	Engine Stay LH	1	1	
2	56 JL07 01	Engine Stay RH	1	1	
3	39 1956 04	Bolt - Flanged Small	4	4	
4	JL 1110 54	Engine Mtg Bolt Front	1	1	
5	JA 1134 03	Flanged Bolt M10X110	2	2	
6	39 2723 15	Nut Flanged M10	2	2	
7	JL 1110 92	Bkt. Radiator Lower LH	1	1	
8	JL 1110 93	Bkt. Radiator Lower RH	1	1	
9	39 1062 04	Bolt Flanged	4	4	

Frame and Frame Fittings



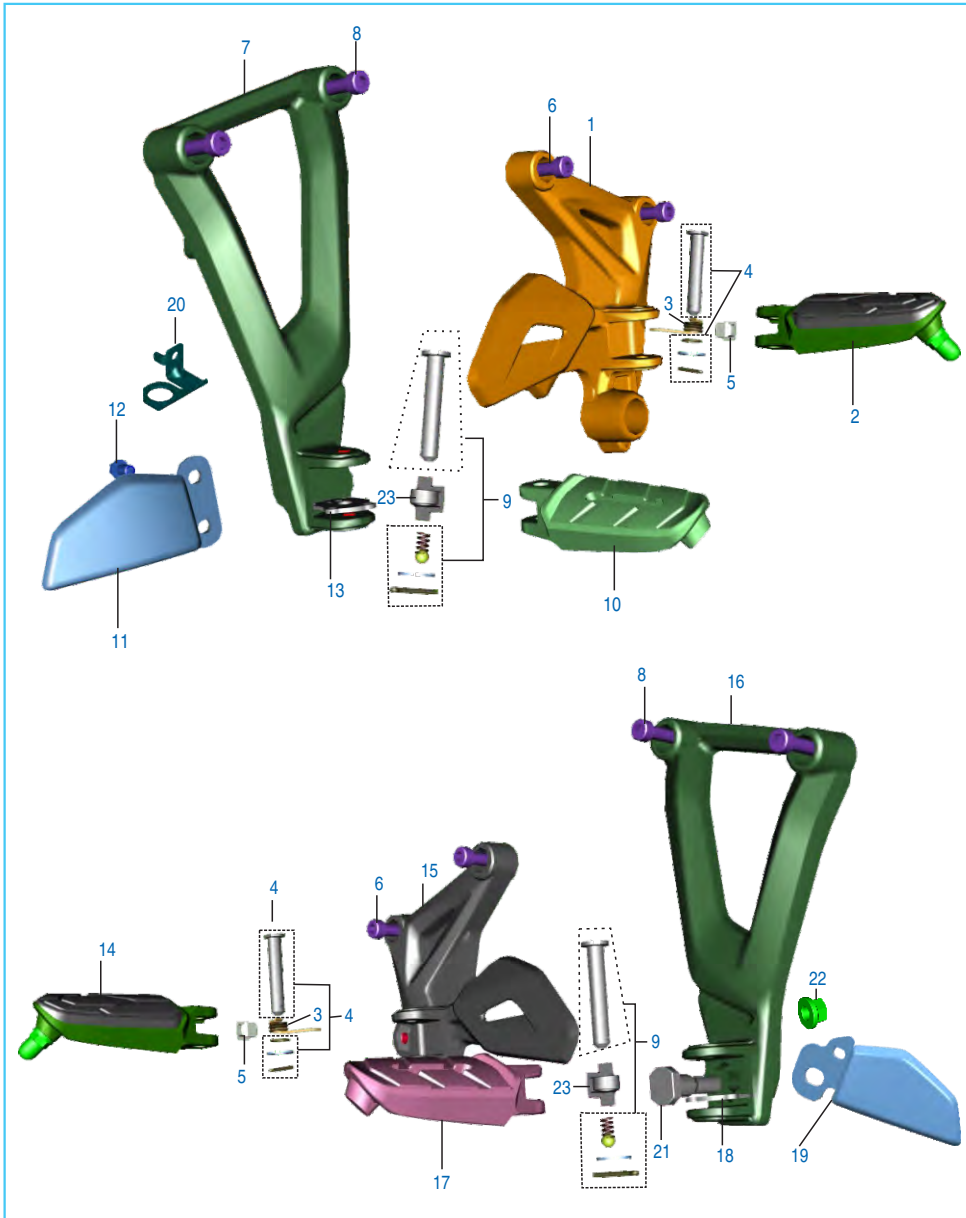
No.	Part No.	Description	Qty.		Remarks
			200 NS	200 AS	
1	JL 1111 06	Frame Assly Complete	1	-	Ref. Cir. IB-140
	JL 1112 01	Frame Assly	1	-	
	JL 1111 83	Frame Assly	-	1	
2	JL 1111 03	Cap Tube End	2	2	
3	JL 1110 81	Bracket Loose H.T. Coil 1	1	1	
4	JL 1110 82	Bracket Loose H.T. Coil 2	1	1	
5	39 1944 04	Bolt - Flanged	4	1	
6	JL 1110 78	Bracket Horn Mtg LH	1	-	
	JL 1138 29	Bracket Horn Mtg LH	-	1	
7	36 JG00 11	Kit Steering head bearing	1	1	
8	JG 5810 14	Silent Block	4	4	
9	LA D000 40	Bolt Flange	2	2	
10	PD 1510 06	Cup Steering	1	1	
11	DK 1810 75	Nut Steering	1	1	

Swing Arm / Rear Shock Absorber



No.	Part No.	Description	Qty.		Remarks
			200 NS	200 AS	
1	JL 1220 06	Shockabsorber Mono	1	1	
2	LA C000 19	Bolt Socket M10 X 1.25 X 55	2	2	
3	JL 1220 13	Assembly Swing Arm Comp	1	1	
4	DG 1710 16	Sleeve	2	2	
5	DG 1710 18	Bearing - Needle	2	2	
6	DG 1710 19	Seal - Oil	4	4	N.I
7	JL 1220 02	Cap Swing Arm Tube	2	2	
8	JL 1220 01	Adjuster Chain Lh	1	1	
9	JL 1220 09	Adjuster Chain Rh	1	1	
10	JL 1220 03	Slider Chain	1	1	
11	39 0454 11	Washer - Plain	2	2	
12	39 0553 02	Screw - Self Tapping	2	2	
13	JL 1220 04	Spacer Chain Adjuster	2	2	
14	JL 1220 08	Spacer Central Swing Arm	2	2	
15	JL 1812 24	Grommet I	1	1	
16	JL 1812 25	Grommet li	1	1	
17	DG 1710 15	Shaft - Swing Arm	1	1	
	JL 1220 26	Shaft - Swing Arm	1	1	Ref. Cir. IB -173
18	JL 1111 09	Cap -Swing Arm Pivot	2	2	
	DT 1138 48	Cap -Swing Arm Pivot	2	2	Ref. Cir. IB - 173
19	39 1053 15	Nut	1	1	

Pillion Foot Rest / Holder



No.	Part No.	Description	Qty.		Remarks
			200 NS	200 AS	
1	JL 1130 02	Holder Step RH	1	1	
2	52 JL01 59	Step Assy Main RH (MTL Color)	1	1	
3	JL 1130 12	Spring Torsion	1	1	
4	36 JI00 41	Kit Main Step Hardware	2	2	
5	JL 1130 36	Rubber Main Step Pillion	2	2	
6	KA CA08 20	Bolt-Socket Dia-08 L-20	4	4	
7	JL 1130 15	Step Holder - Pillion RH	1	1	
8	LA C000 16	Bolt Socket M8X35	4	4	
9	36 JL00 15	Kit Pillion Hardware	2	2	
10	JL 1130 16	Step Pillion Assy Complete RH	1	1	
	56 JL02 01	Step Pillion Assy RH(moon light silver)	1	1	
11	JL 1130 27	Flap Pillion Holder RH	1	1	
12	KA DE06 10	Bolt - Flanged :- Small	4	4	
13	DT 1130 15	Lock Plate RH	1	1	
14	52 JL01 58	Step Assy Main LH(MTL Color)	1	1	
15	JL 1130 34	Holder Step LH	1	1	
16	JL 1130 13	Step Holder Pillion LH	1	1	
17	JL 1130 17	Step Pillion Assy Complete LH	1	1	
	56 JL01 01	Step Pillion Assy LH (moon light silver)	1	1	Ref. Cir IB-82
18	DT 1130 14	Lock Plate LH	1	1	
19	JL 1130 26	Flap Pillion Holder LH	1	1	
20	JL 1130 33	Bracket Rear Brake Switch	1	1	
21	JL 1130 38	Step bolt	1	1	
22	39 1055 15	Nut Hex. with flange- M10	1	1	
23	JZ 1130 61	Rubber Pad Step	2	2	

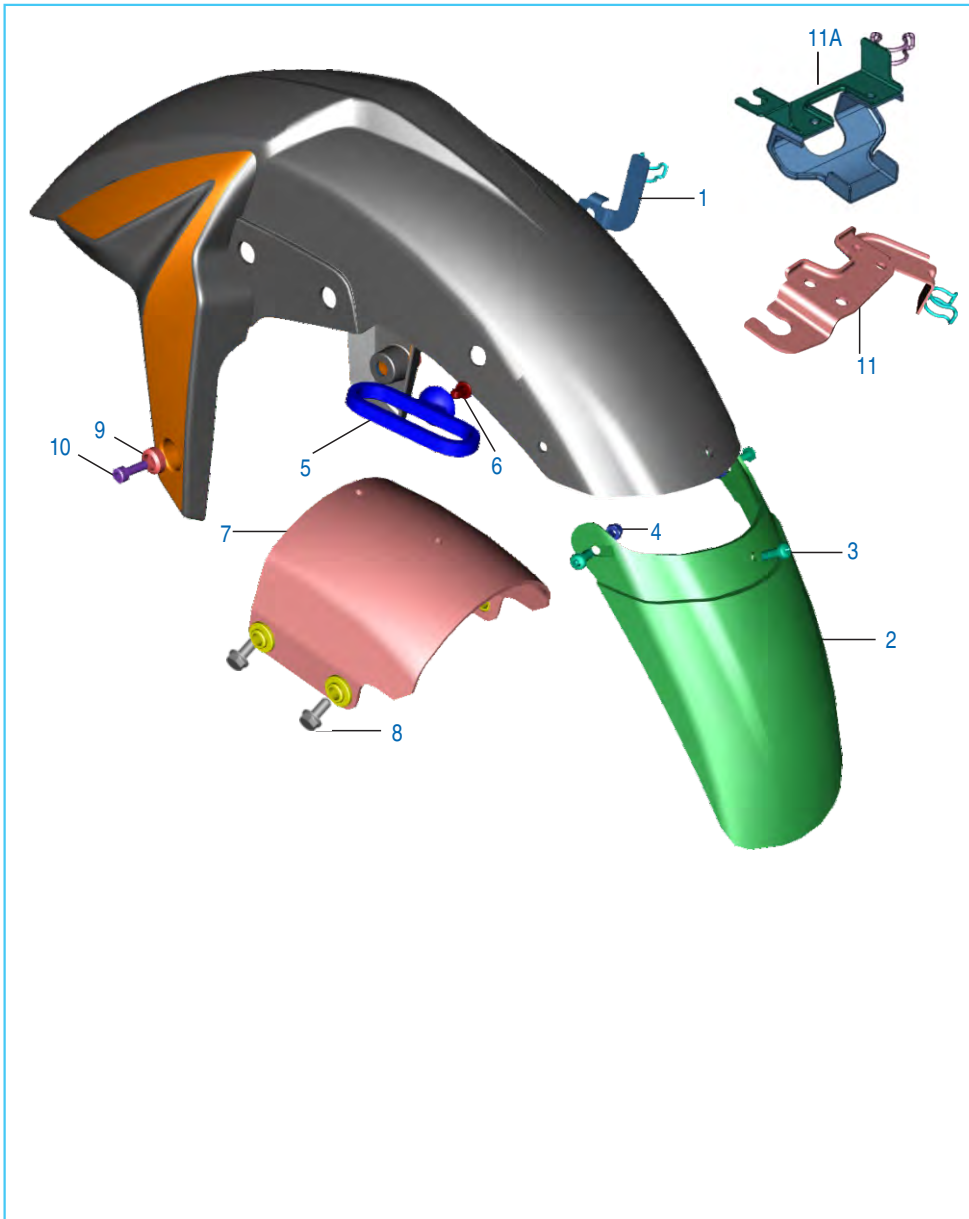
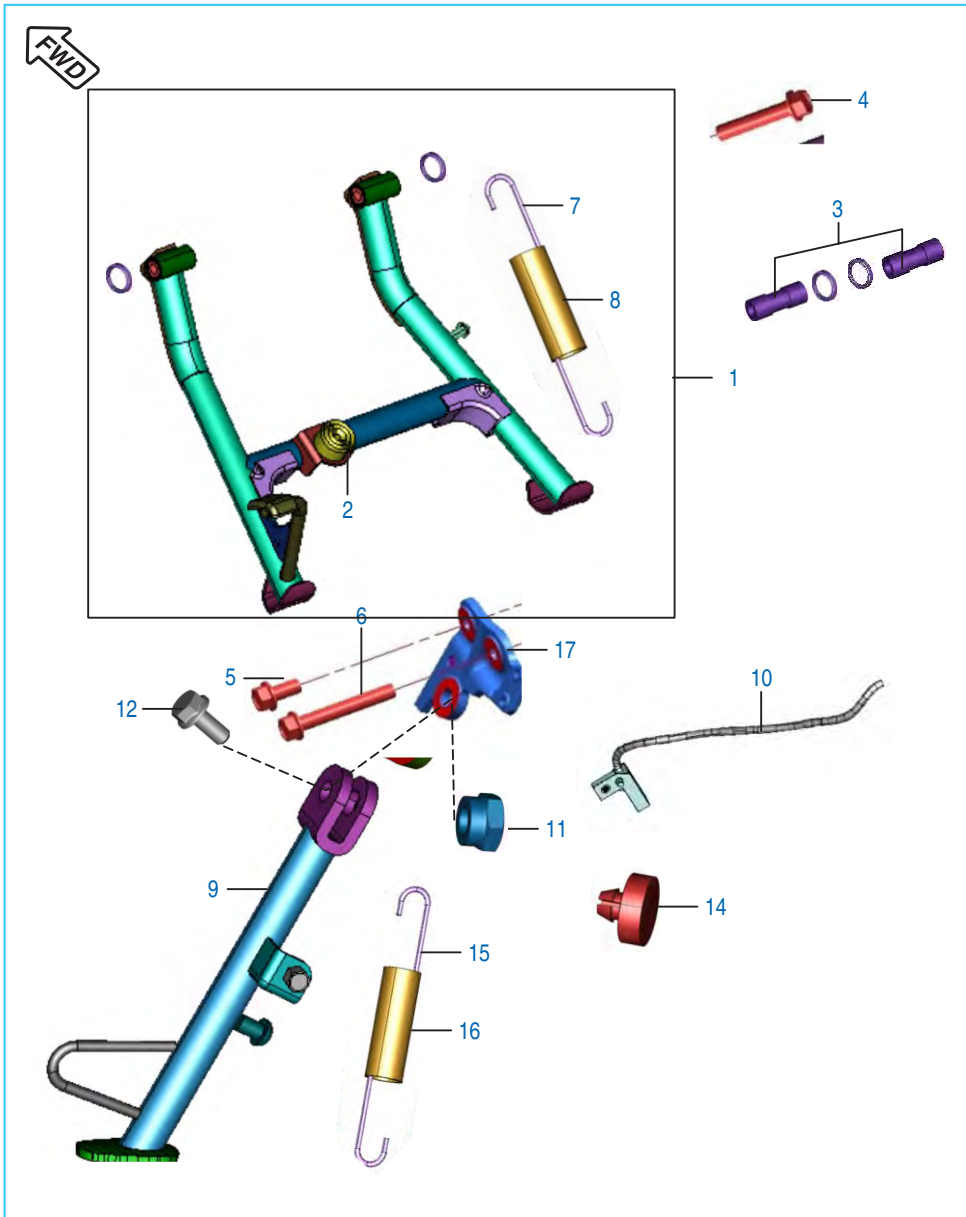


Plate No.: 28

Mudguard - Front & Rear

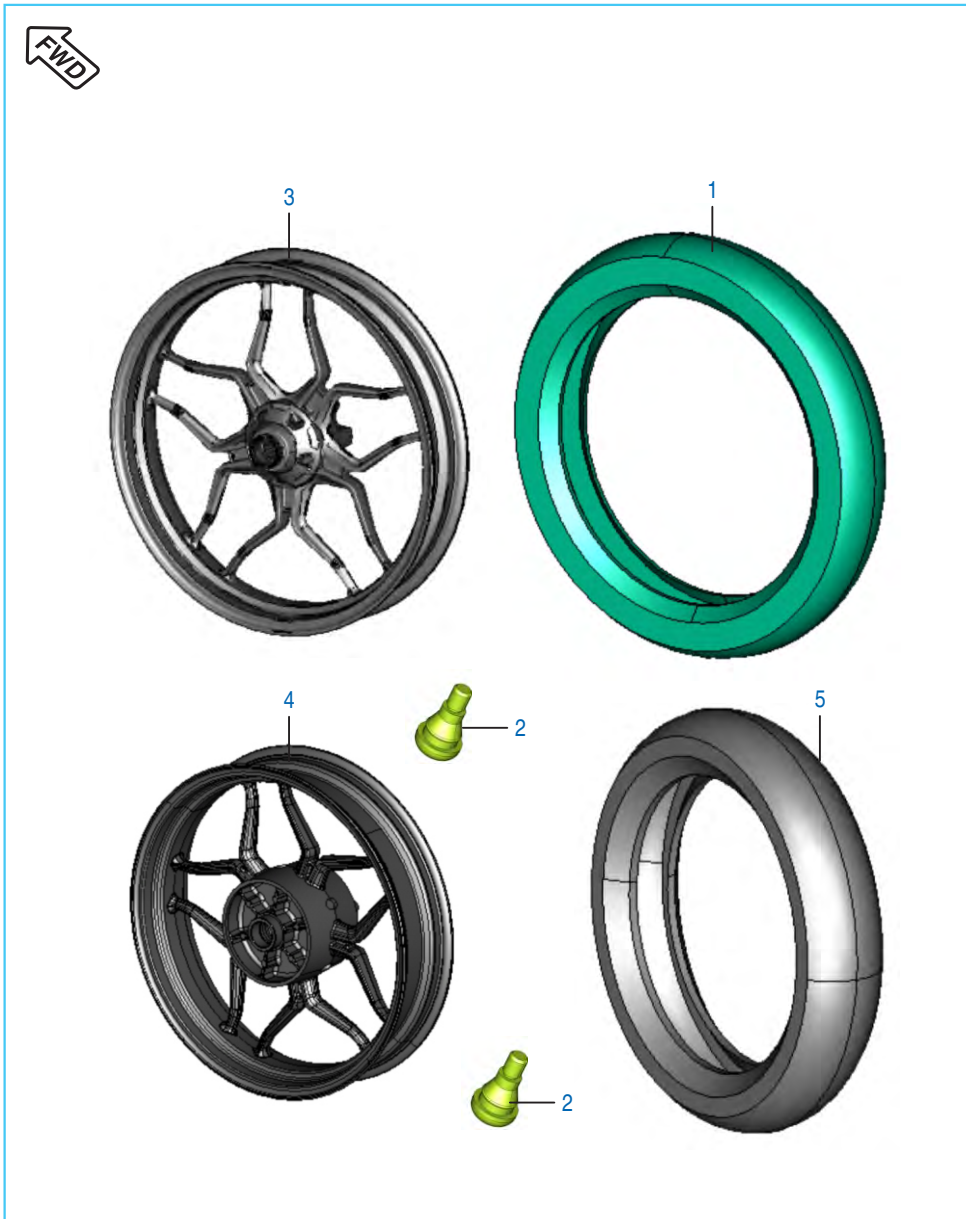
No.	Part No.	Description	Qty.		Remarks
			200 NS	200 AS	
1	JL 1138 34	Bracket Hose Clamp	1	1	
2	JL 1814 05	Mud Flap Front	1	1	
3	KB Ba05 12	Screw Pan Cross	6	6	
4	39 0326 15	Nut Nyloc	6	6	
5	DS 1611 25	Cable Guide	1	1	
6	DS 1610 69	Nail Cable Guide	1	1	
7	JL 1814 02	Bracket Brace Fender	3	3	
8	39 1946 04	Bolt Flanged	4	-	
	KA Df08 20	Bolt Flanged	-	4	
9	JL 1814 11	Cup Washer Front Fender Mtg	-	2	
10	KA Ca06 16	Bolt Socket Head	-	2	
11	JL 131812	Clamp Brake Hose	1	-	
11A	DT 1318 32	Clamp Brake Hose	-	1	
12	39 0242 11	Washer Plain	6	-	N.I
	KD Aa05 10	Washer Plain	-	6	N.I



Stand Assembly

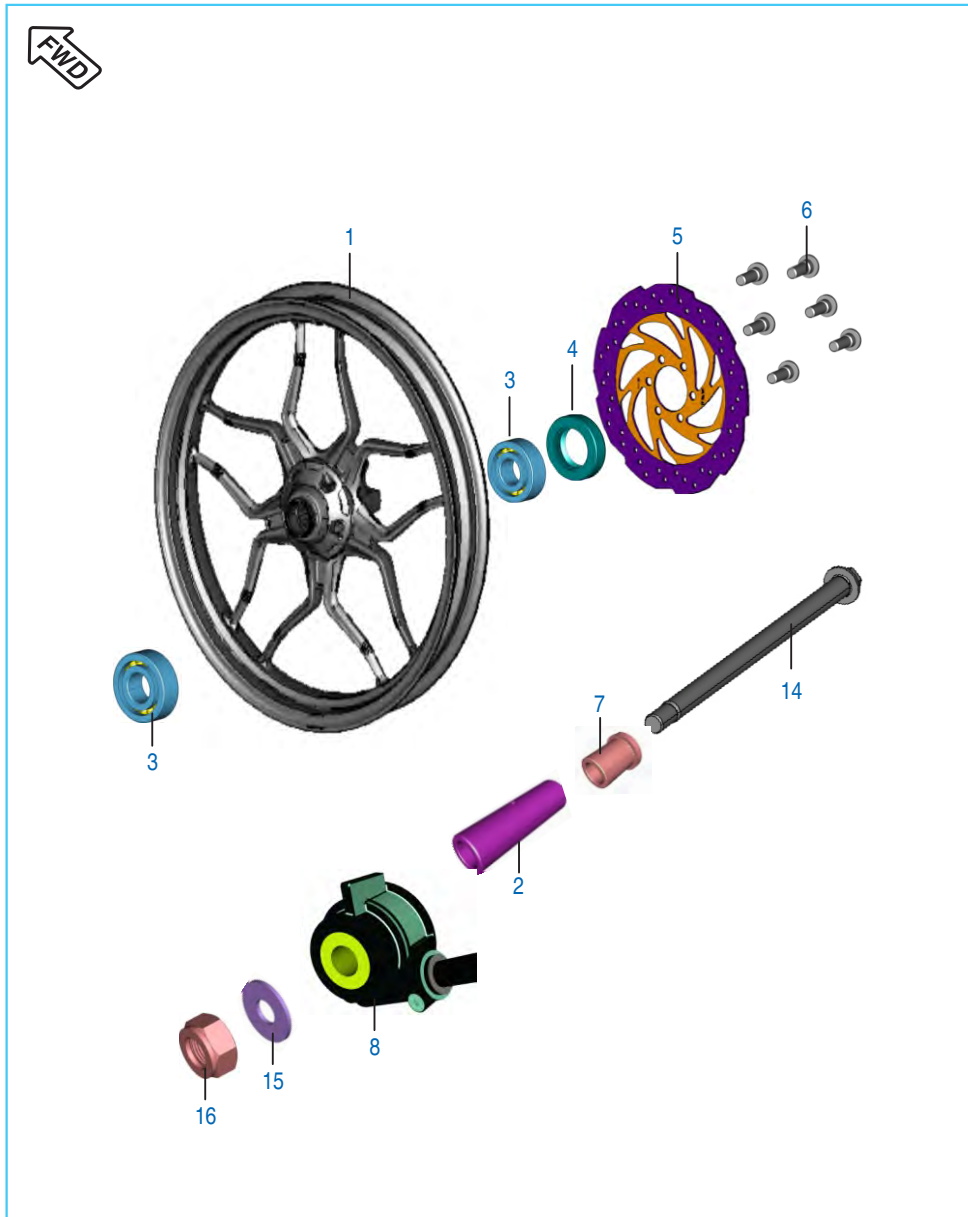
No.	Part No.	Description	Qty.		Remarks
			200 NS	200 AS	
1	36 JL00 25	Kit Center Stand	1	-	As an accessories
2	DG 1611 24	Damper	1	-	
3	JL 1132 10	Bush Main Stand LH	2	-	
4	39 1941 04	Bolt - Flanged M8	1	-	
5	39 1946 04	Bolt - Hexagon M8 X 1.25	1	1	
	39 1689 04	Bolt - Hexagon M8	-	1	
6	39 2469 04	Bolt Flanged	1	-	
	LA D001 35	Bolt Flanged	-	1	
7	JL 1132 07	Spring Main Stand	1	-	
8	JL 1132 12	Cover Spring Main Stand	1	-	
9	JL 1132 01	Assembly Side Stand	1	1	
10	JL 4014 02	Switch Side Stand	1	1	
11	39 0422 15	Nut - Nyloc M10	1	1	
12	DF 1611 02	Bolt For Side Stand Mounting	1	1	
13	39 2060 04	Bolt - Flanged	1	-	
	KA DB05 16	Bolt Flanged	-	1	
14	JL 4036 00	Magnet Assembly	1	1	
15	JL 1132 09	Spring Side Stand	1	1	
16	DH 1611 46	Cover - Spring Side Stand	1	1	
17	52 JL00 72	Bracket Side Stand Mtg	1	1	

Tube / Tyre / Rim



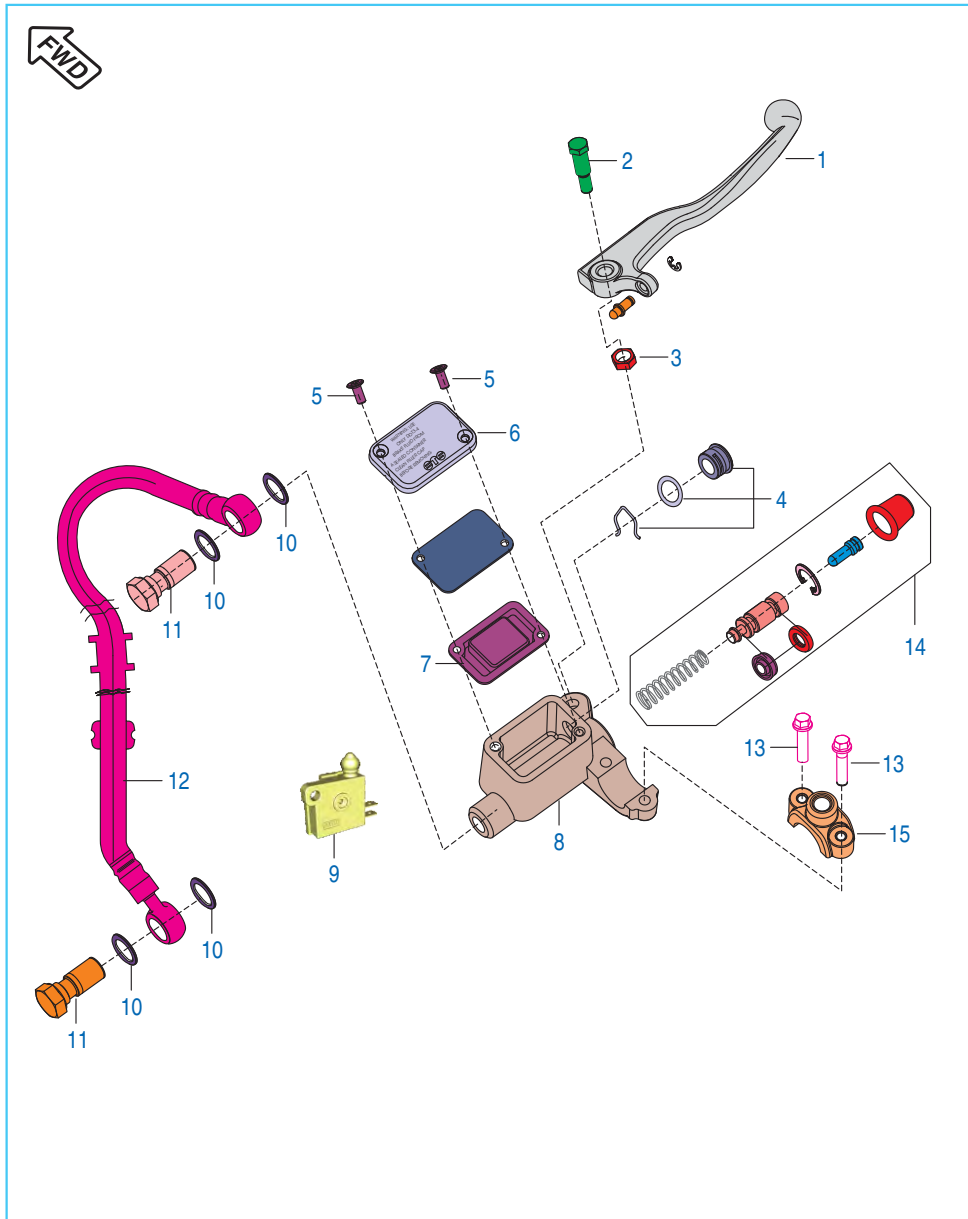
No.	Part No.	Description	Qty.		Remarks
			200 NS	200 AS	
1	DT 1310 18	Tyre Tubeless (Size 100/80-17)	1	1	
2	DK 1510 26	Valve Tubeless Tyre	2	2	
3	JL 1310 04	Wheel Rim 2.5X17	1	1	
4	JL 1312 09	Wheel Rim 3.5X17	1	1	
5	DT 1312 22	Tyre 130/70-17	1	1	

Front Hub



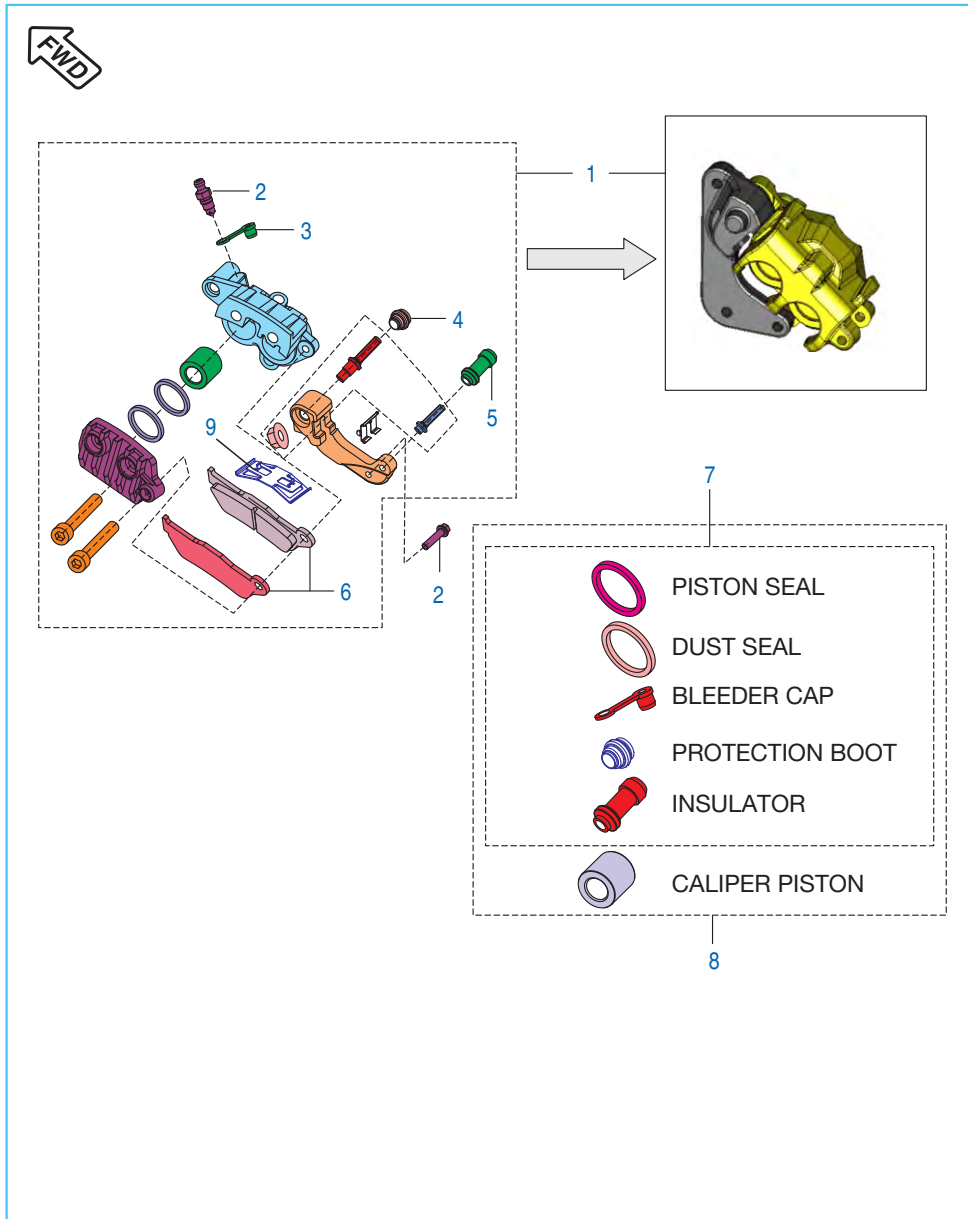
No.	Part No.	Description	Qty.		Remarks
			200 NS	200 AS	
1	JL 1310 04	Wheel Front	1	1	
2	JG 1310 01	Spacer	1	1	
3	39 2241 20	Bearing - Ball	2	-	
	KP BC 62 02	Bearing - Ball	-	2	
4	DG 1510 05	Seal - Oil	1	1	
5	JL 1310 05	Disc Front	1	-	
	52 JL01 41	Disc Front (Black)	1	1	Ref. Cir. IB-82
6	JD 1318 11	Special Bolt M8	6	6	
7	JL 1310 00	Collar	1	1	
8	JC 1510 20	Case Meter Housing(W/O Sensor)	1	1	
10	JC 2010 46	Stopper	1	1	N.I. Sensor Mtg
11	59 2100 19	'O' Ring	1	1	N.I. Sensor
12	39 0900 12	Washer - Spring	1	1	N.I. Sensor Mtg
13	39 0840 01	Screw Pan Cross - M4	1	1	N.I. Sensor Mtg
14	JL 1310 01	Axle	1	1	
15	LD B000 29	Washer	1	1	
16	LC J000 02	Nut - U M14	1	1	

Front Master Cylinder

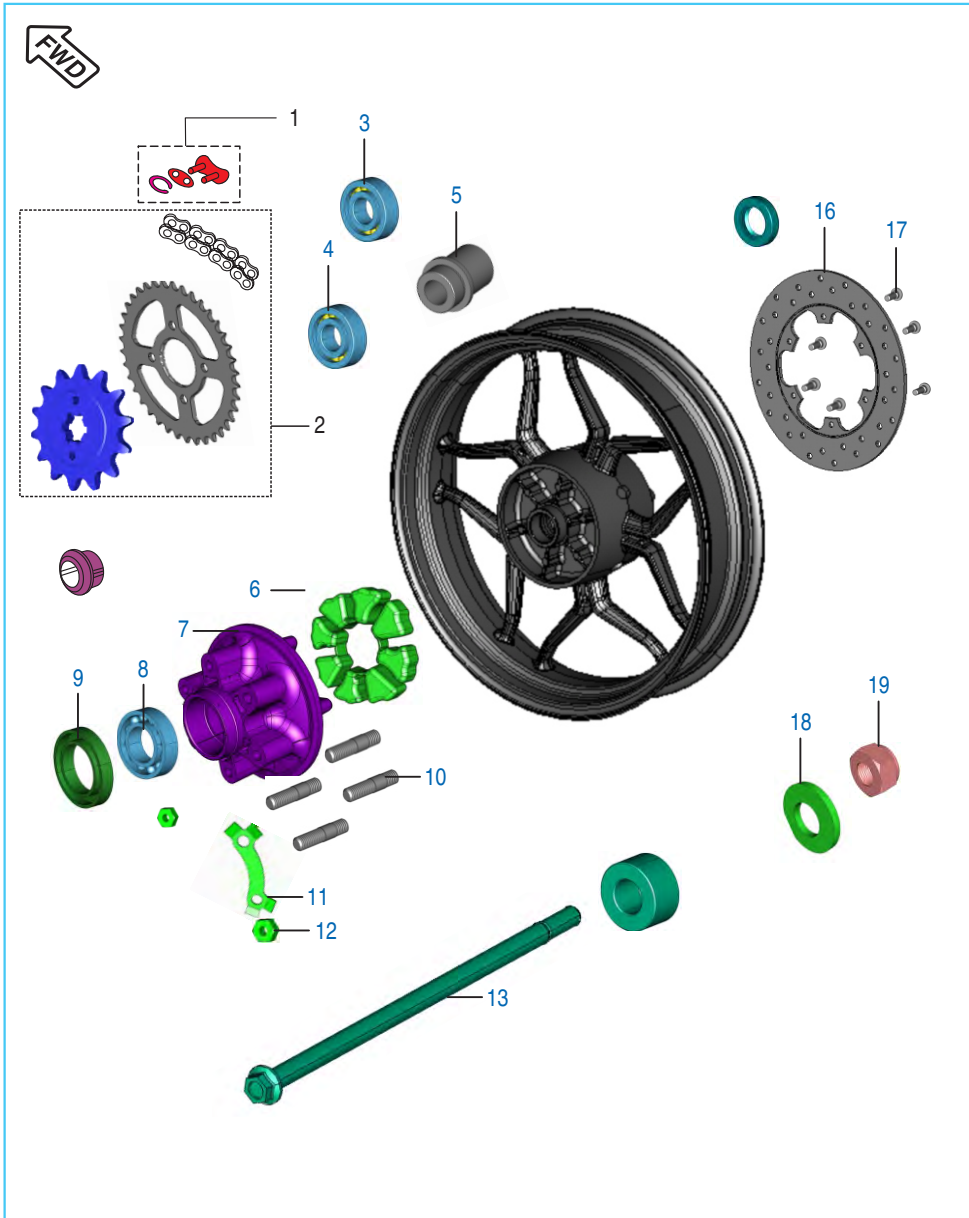


No.	Part No.	Description	Qty.		Remarks
			200 NS	200 AS	
1	DJ 1910 57	Lever Front Brake	1	-	
	JG 1610 10	Lever Front Brake	-	1	
2	DJ 1910 29	Bolt Front Bracket I	1	1	
3	DJ 1910 30	Nut	1	1	
4	36 Dh19 02	Oil Window Kit	1	1	
5	DJ 1910 31	Screw	2	2	
6	DE 1910 29	Cover - Reservoir	1	1	
7	DE 1910 28	Diaphragm	1	1	
8	DJ 1910 56	Master Cylinder with lever	1	-	
	JL 1319 18	Master Cylinder with lever	-	1	
9	DJ 2011 09	Front Brake Switch	1	1	
10	DE 1910 10	Washer - Copper	4	4	
11	DK 1510 69	Bolt - Banjo	2	2	
12	JL 1318 02	Hose Assembly	1	1	
13	LA D000 37	Bolt Flanged M8X1X50	2	2	
14	DJ 1910 23	Major Kit M-1	1	1	
15	DE 1910 33	Clamp - Holder : RH	1	1	

Front Disc Brake



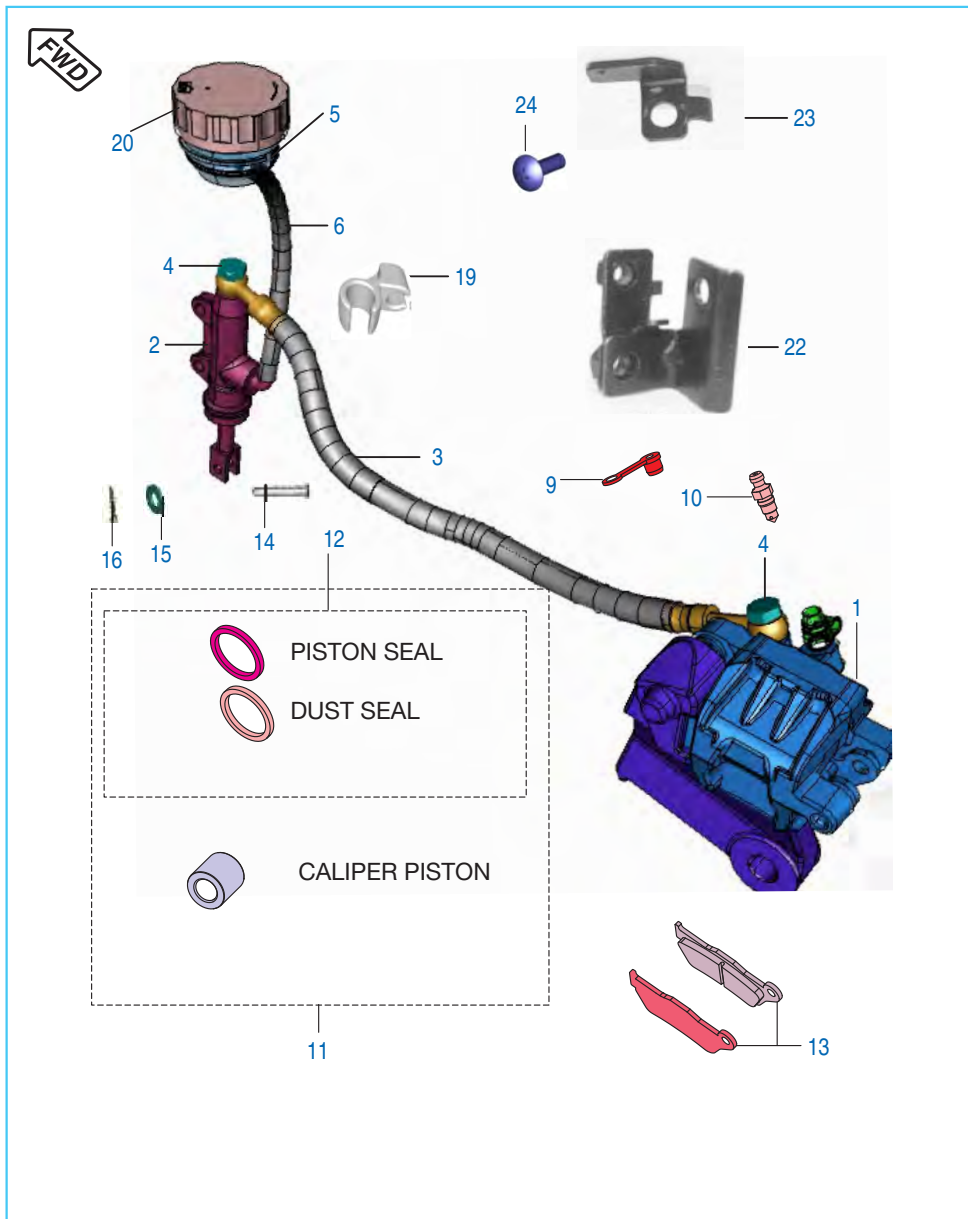
No.	Part No.	Description	Qty.		Remarks
			200 NS	200 AS	
1	JL 1318 04	Caliper Assy Brake Front	1	1	
2	JL 1318 06	Screw Bleeder	1	1	
3	DE 1510 47	Bleeder Cap	1	1	
4	JL 1318 07	Boot	1	1	
5	DE 1910 33	Spring	1	1	
6	JL 1318 05	Pad	1	1	
7	DJ 1510 74	Minor Kit	1	1	
8	DJ 1510 75	Major Kit	1	1	
9	JL 1318 25	Spring Pad	1	1	



Rear Hub

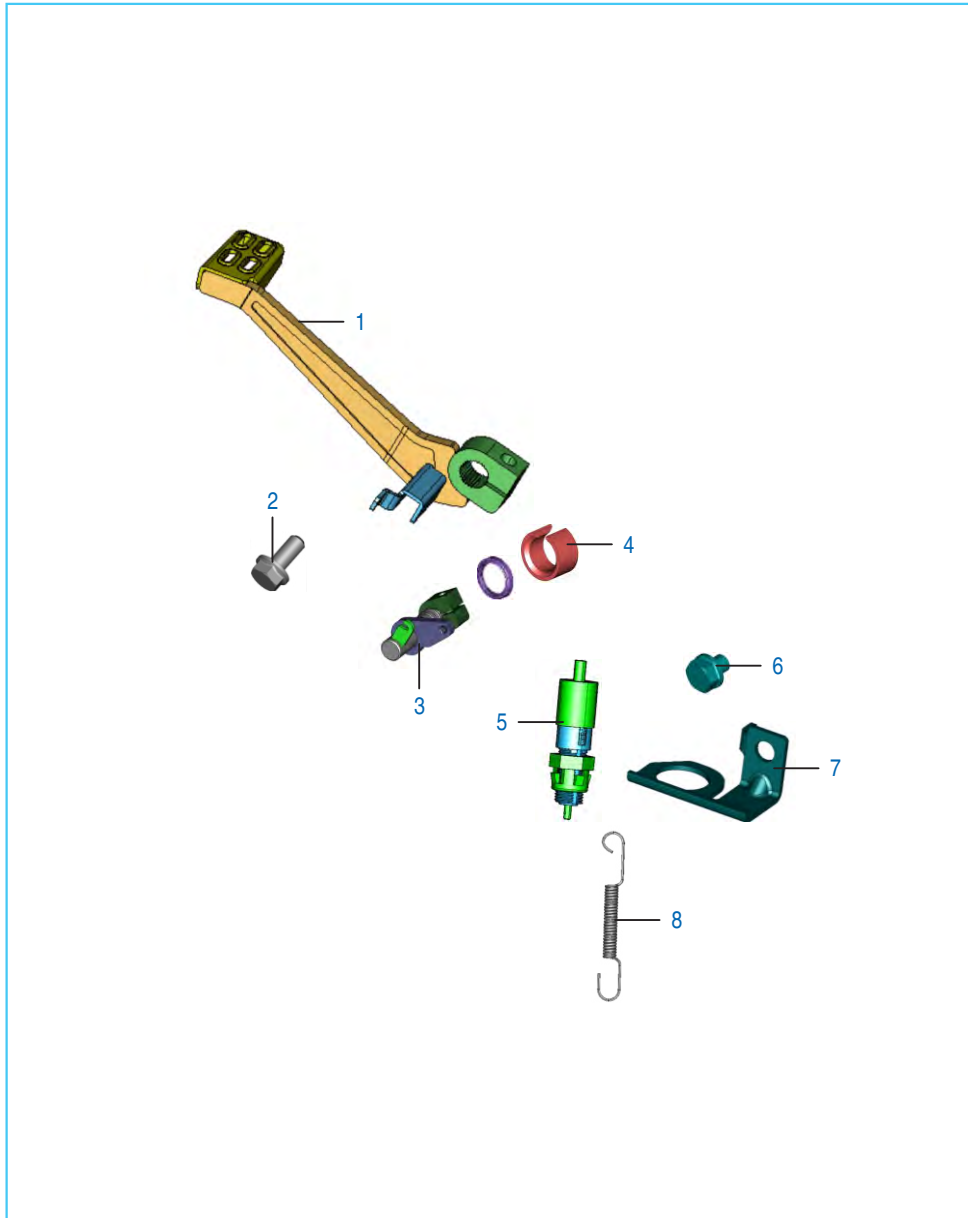
No.	Part No.	Description	Qty.		Remarks
			200 NS	200 AS	
1	DK 1510 36	Lock Set	1	1	
2	36 JL00 09	Kit Chain Sprocket	1	1	
3	39 2241 20	Bearing - Ball	1	-	
	KP BC62 02	Bearing - Ball	-	1	
4	39 2242 20	Bearing - Ball	1	-	
	KP BC63 02	Bearing - Ball	-	1	
5	JL 1312 16	Collar Bearing Assy	1	1	
6	JL 1312 32	Coupling Rubber	1	1	
7	JL 1312 25	Coupling	1	1	
8	DK 1510 13	Bearing Coupling	1	1	
9	DK 1510 12	Oil Seal	2	2	
10	LA A000 19	D Bolt	6	6	
11	JL 1312 26	Washer 6 Rubber	3	3	
12	LC A000 09	Nut	6	6	
13	JL 1312 03	Axle	1	1	
14	DK 1510 15	Sleeve	1	1	
15	JL 1312 11	Spacer for Coupling	1	1	
16	JL 1312 18	Disc Rear	1	-	
	52 JL01 42	Disc Rear (Black)	1	1	Ref. Cir. IB-82
	JL 1319 30	Disc Rear	1	1	From JUL'16
17	39 2038 04	Bolt Hex	6	6	
18	LD B000 29	Washer	2	2	
19	LC J000 02	Nut - U	1	1	
20	DK 1510 81	Spacer I	1	1	
21	DK 1510 82	Spacer II	1	1	

Rear Disc Brake System



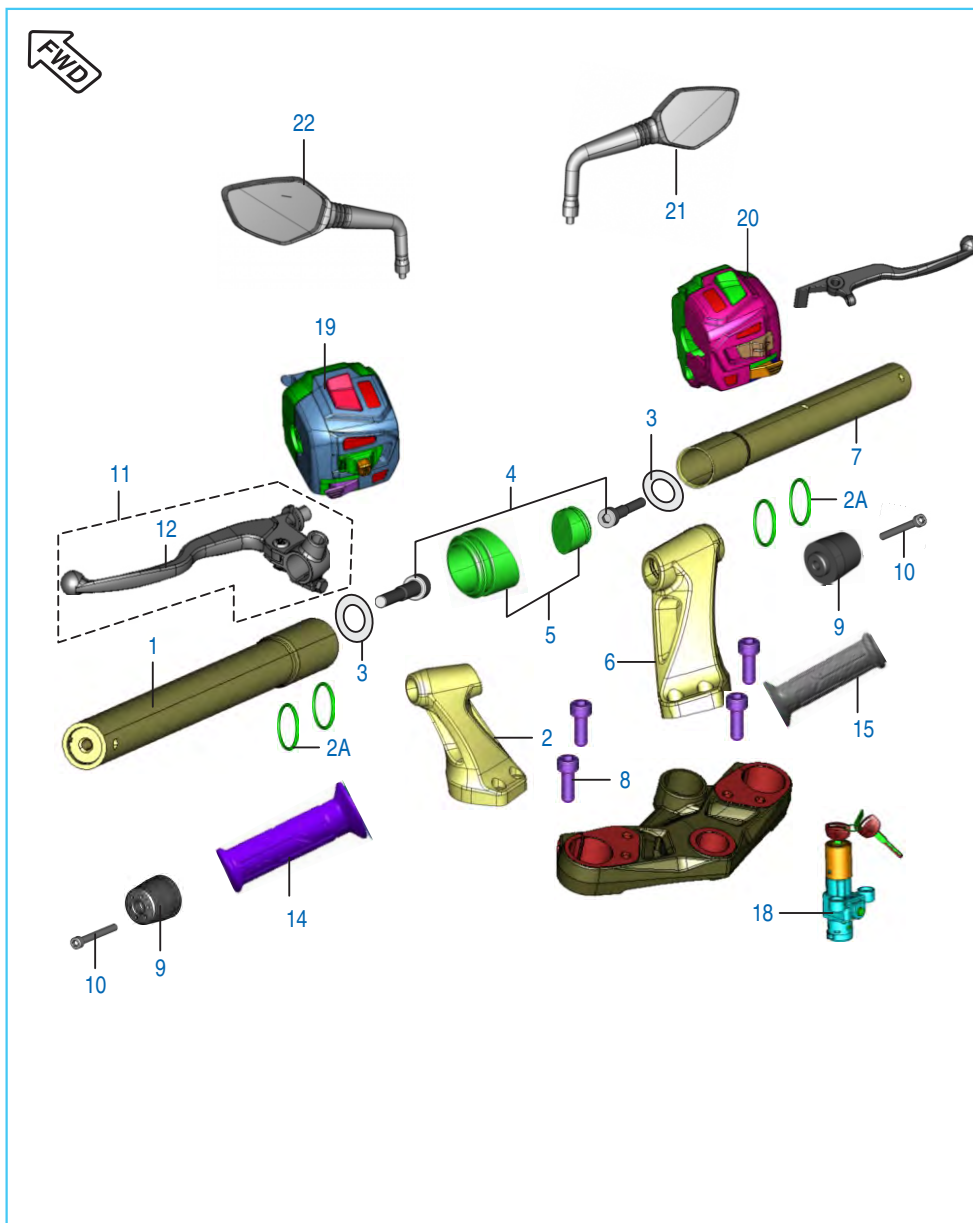
No.	Part No.	Description	Qty.		Remarks
			200 NS	200 AS	
1	DK 1510 83	Assembly Caliper	1	1	
2	DK 1510 31	Assembly Master Cyl. Rear	1	1	
3	JL 1318 03	Hose Disc Brake Rear	1	1	
4	DK 1510 69	Banjo Bolt	2	2	
5	JG 1318 21	Reservoir Rear Brake	1	1	
6	JL 1312 20	Hose - Reservoir	1	1	
7	DK 1510 63	Clip Reservoir	1	1	Cap Reservoir (N.I.)
8	DE 1910 10	Copper Washer	4	4	Banjo Bolt (N.I.)
9	DE 1510 47	Cap Bleeder Screw	1	1	
10	DE 1510 46	Bleeder Screw	1	1	
11	DK 1510 88	Caliper Piston Kit	1	1	
12	DK 1510 89	Caliper Piston Seal Kit	1	1	
13	DK 1510 85	Set Disc Pad	1	1	
14	30 1910 38	Pin	1	1	
15	39 0198 11	Washer Plain	1	1	
16	39 0808 08	Split Pin	1	1	
17	DK 1510 73	Master Cyl. Major kit	1	1	N.I.
18	DK 1510 74	Master Cyl. Minor kit	1	1	N.I.
19	JL 1318 77	Clamp	1	1	
20	DK 1510 45	Cap Reservoir Rear Brake	1	1	
21	36 JG00 18	Reservoir with Cap Rear Brake	1	1	N.I.
22	JL 1318 41	Bracket Reservoir mounting	1	1	
23	JL 1318 78	Bracket Reservoir Cap	1	1	
24	39 1698 01	Screw	1	1	
25	DK 1510 90	Insulator Kit	1	1	N.I.

Rear Brake Pedal



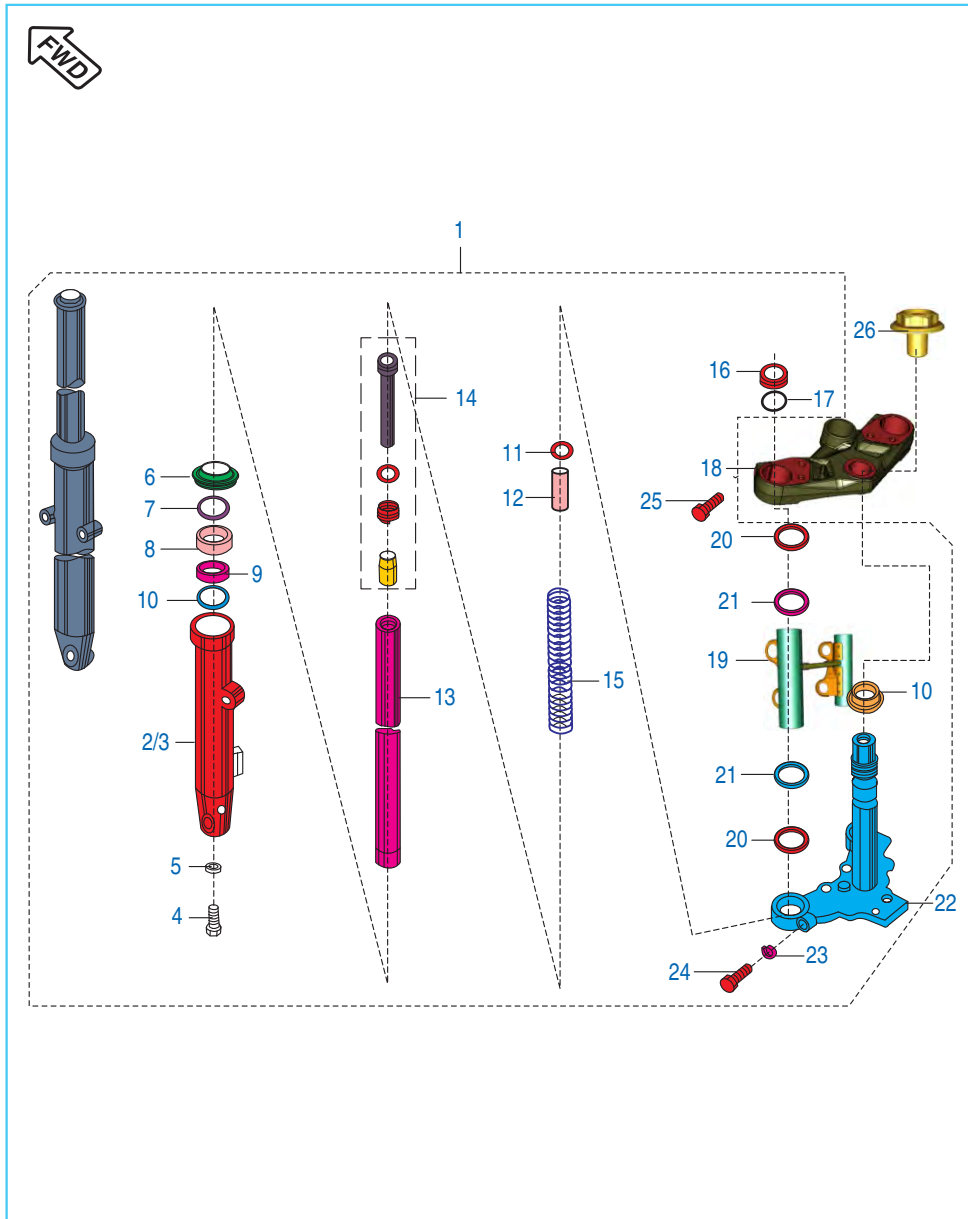
No.	Part No.	Description	Qty.		Remarks
			200 NS	200 AS	
1	JL 1610 01	Brake Pedal	1	1	
2	59 0400 48	Bolt - Flanged : M8	1	1	
3	JL 1610 10	Shaft Assy Brake Lever	1	1	
4	DH 1910 13	Spacer Brake Shaft assly.	1	1	
5	31 2010 79	Switch - Rear Brake	1	-	
	JL 4014 06	Switch - Rear Brake	-	1	
6	39 2475 04	Hex. head bolt	1	-	
	KA EA06 08	Bolt flanged	-	1	
7	JL 1130 33	Bracket Rear brake switch	1	1	
8	JL 1610 06	Spring Rear Brake Switch	1	1	
9	DH 1910 06	Spring - Brake Pedal	1	1	N.I.

Handle Bar Assly



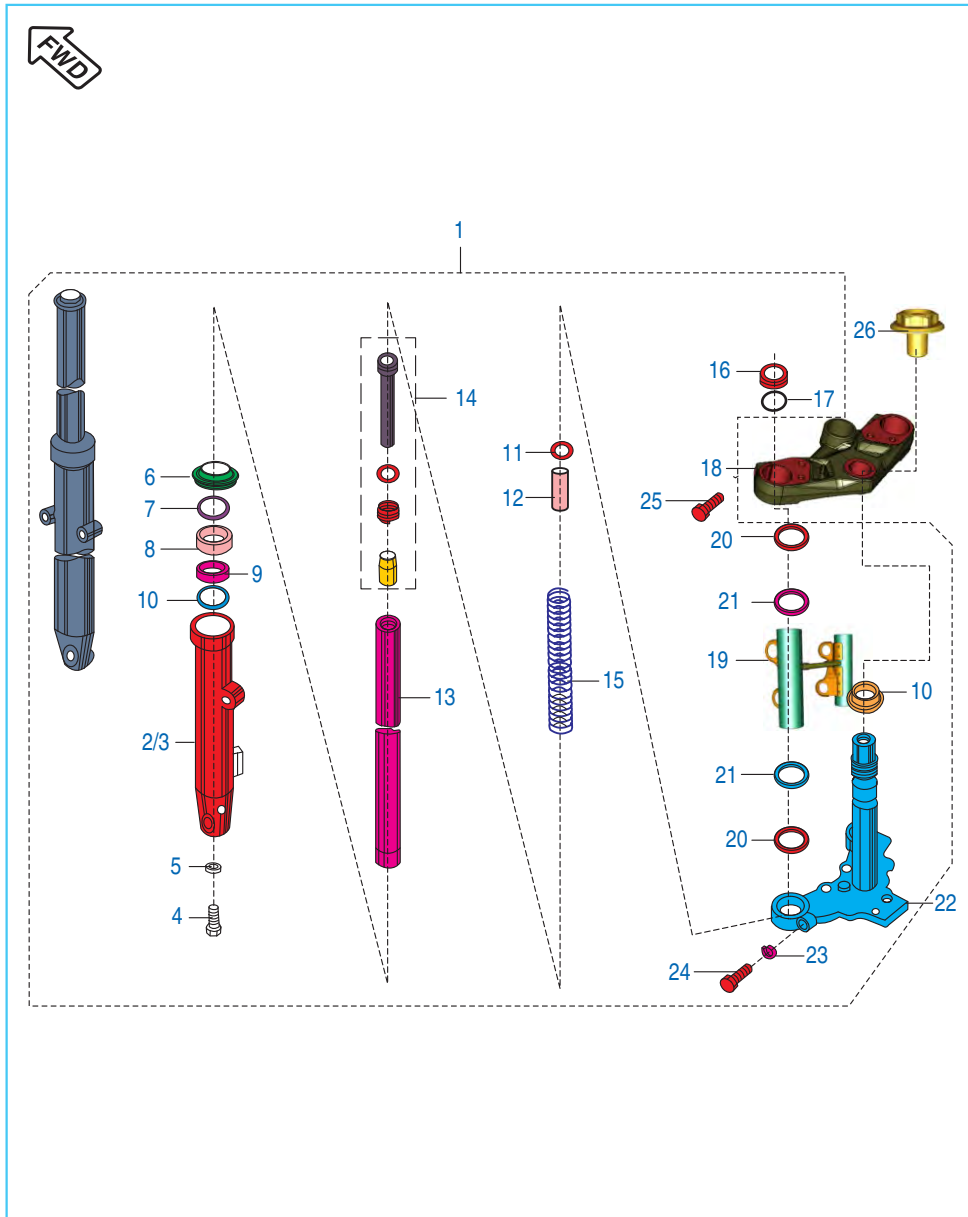
No.	Part No.	Description	Qty.		Remarks
			200 NS	200 AS	
1	JL 1510 21	Handle Bar Tube LH assly.	1	1	
2	JL 1510 26	Holder Handle LH	1	-	
	56 JL31 5X	Holder Handle LH (Stoic Black)	1	1	Ref. Cir. IB-82
2A	JL 1510 38	O ring	4	4	
3	39 1180 11	Washer - Plain	2	-	
	KD BA08 18	Washer - Plain	-	2	
4	LA C000 20	Bolt Socket M8X1.25Px55L	2	2	
5	JL 1510 28	Plug Handle Holder	2	2	
6	JL 1510 30	Holder Handle RH	1	-	
	56 JL32 5X	Holder Handle RH (Stoic Black)	1	1	Ref. Cir. IB-82
7	JL 1510 34	Handlebar Tube Assy RH	1	1	
8	DG 1810 08	Bolt - Socket	4	4	
9	JL 1510 35	Handlebar Weight	2	2	
10	39 2427 04	Bolt - Hexagon Socket Head Cap:M6	2	2	
11	DJ 1910 82	Lever & Support Holder Assly LH	1	-	
	JL 1610 15	Lever & Support Holder Assly LH	-	1	
12	DJ 1910 83	Lever LH For New Clutch Switch	1	-	
	JG 1610 08	Lever LH For New Clutch Switch	-	1	
13	DJ 2012 46	Clutch Switch (6Amp Diode)	1	-	N.I.
	JL 4014 11	Clutch Switch	-	1	
14	JL 1610 03	Handle Grip LH	1	1	
15	JL 1610 08	Grip Hand Assy RH	1	-	
	DT 1610 05	Grip Hand Assy RH	-	1	
16	DH 1910 17	Pipe - Throttle	1	1	N.I.
17	JL 1510 23	Lock Set 3 In 1	1	-	N.I.
	DT 2326 01	Lock Set 3 In 1	-	1	
18	JL 4014 03	Switch Ignition	1	1	
19	JL 4014 00	Switch Control LH	1	-	
	JL 4014 09	Switch Control LH	-	1	
20	JL 4014 01	Switch Control RH	1	-	
	JL 4014 05	Switch Control RH	1	-	For Argentina
	JL 4014 10	Switch Control RH	-	1	
21	JL 2316 01	Mirror Assly RH	1	1	
22	JL 2316 00	Mirror Assly LH	1	1	

Front Fork

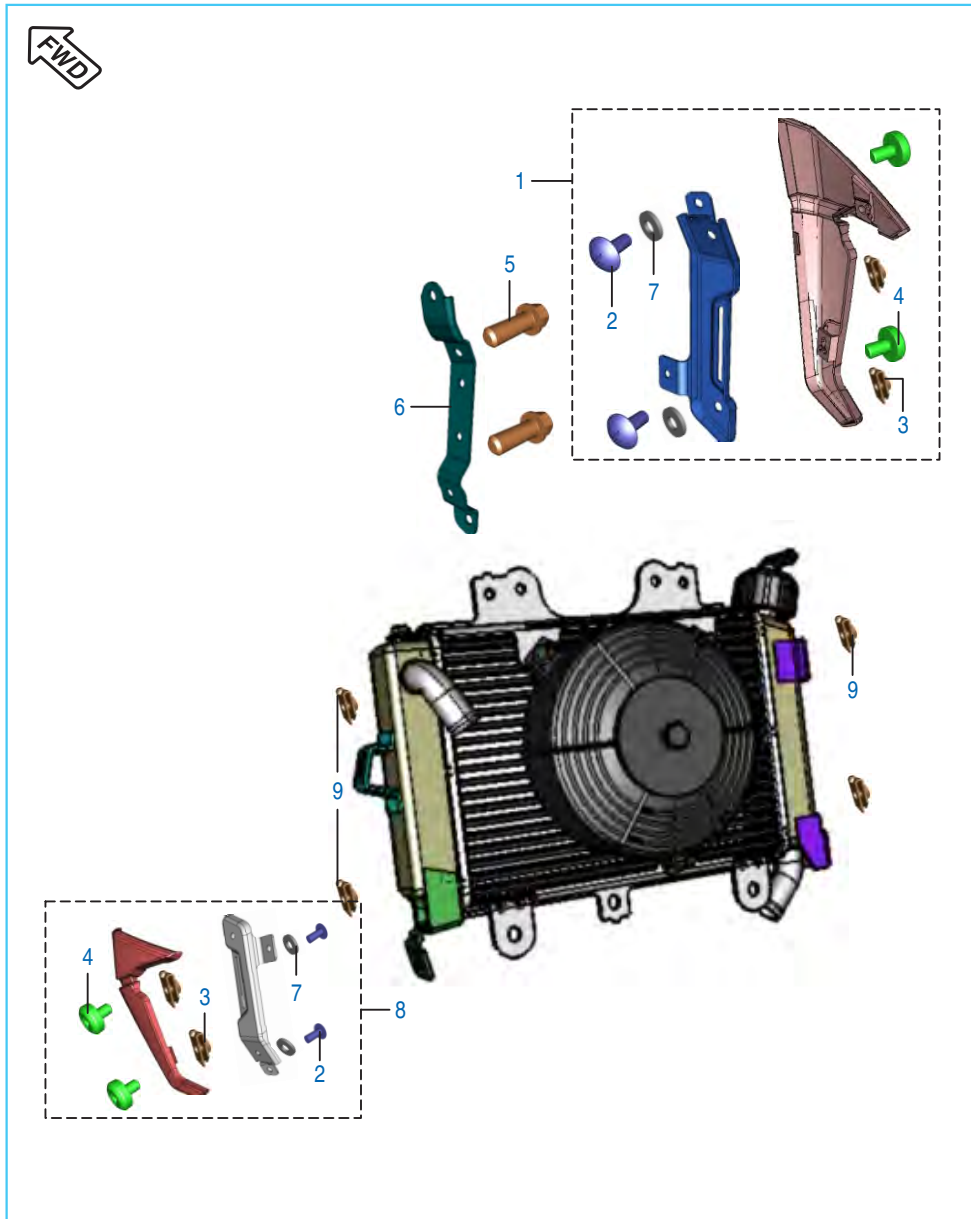


No.	Part No.	Description	Qty.		Remarks
			200 NS	200 AS	
1	JL 1510 24	Fork Assly- Front	1	1	
2	JL 1510 02	Tube Outer LH	1	1	
3	JL 1510 03	Tube Outer RH	1	1	
4	DK 1810 06	Socket Headed Bolt - M10 X1.5X35	2	2	
5	DK 1810 07	Copper Washer	2	2	
6	DK 1810 21	Inner Dust Seal	2	2	
7	DK 1810 18	Washer Seal	2	2	
8	DK 1810 19	Oil Seal	2	2	
9	DK 1810 17	Guide Bush	2	2	
10	DK 1810 20	Oil Seal Stopper	2	2	
11	DK 1810 15	Washer	2	2	
12	JL 1510 12	Spacer Tube	2	2	
13	JL 1510 04	Fork Pipe Spinning	2	2	
14	DK 1810 09	Cap Oil Lock	2	2	
	DK 1810 10	Seat Pipe	2	2	
	DK 1810 12	Piston Ring	2	2	
	DK 1810 13	Rebound Spring	2	2	
15	JL 1210 01	Spring Main Spring	2	2	
16	DK 1810 22	Fork Bolt	2	2	
17	DK 1810 23	O' Ring	2	2	
18	JL 1510 32	Upper Bracket	1	-	
	56 JL33 5X	Upper Bracket (Stoic Black)	1	1	Ref. Cir. IB-82
19	JL 1812 35	Lamp Shade Assy	1	-	
20	JC 1810 23	Cover Cushion	4	-	
21	JC 1810 22	Cove Trail B	4	-	

Front Fork

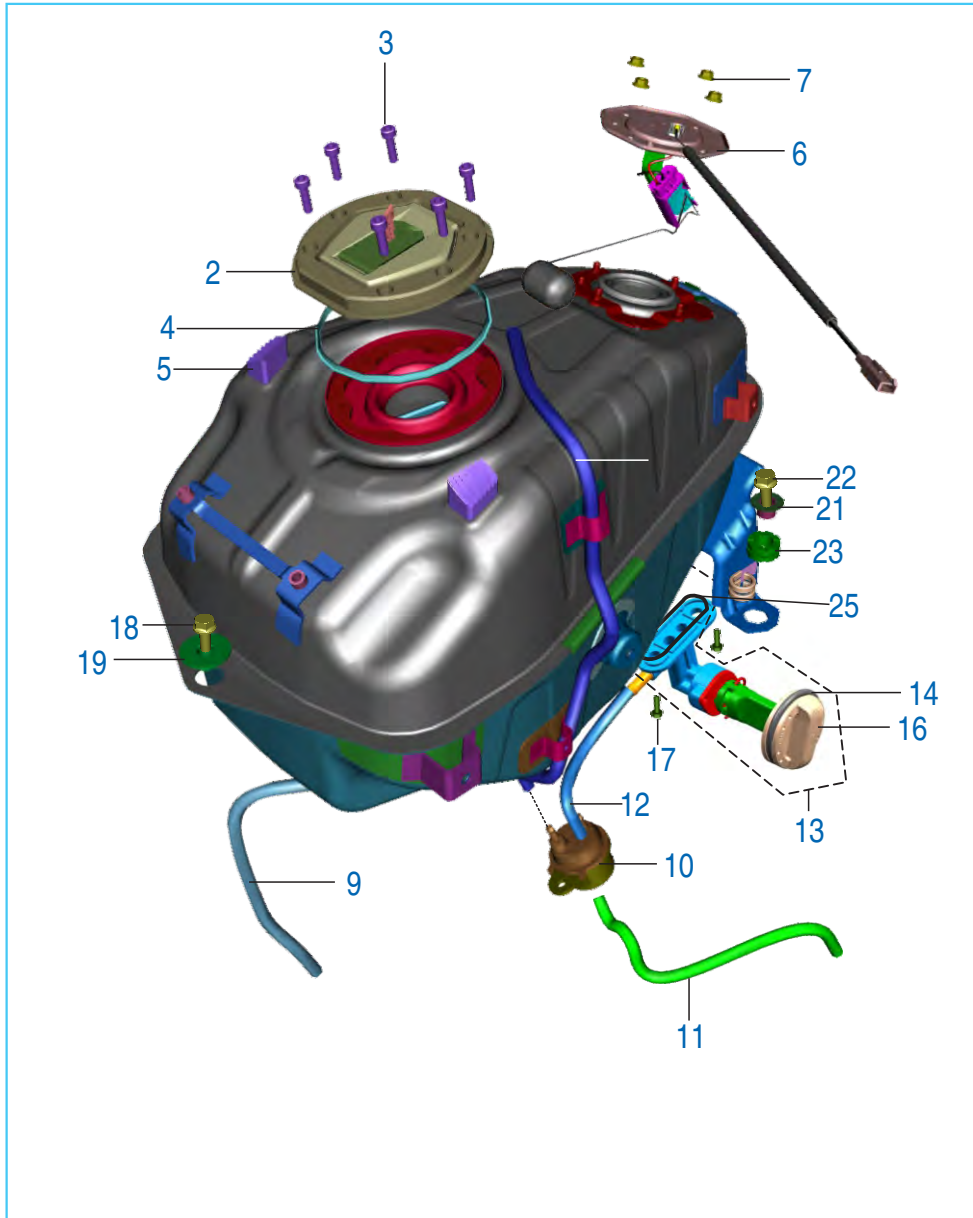


No.	Part No.	Description	Qty.		Remarks
			200 NS	200 AS	
22	JL 1510 37	Under Bkt Assy Complete	1	1	
23	DK 1810 25	Spring Washer	2	2	
24	DK 1810 28	Bolt	2	2	
25	DG 1810 08	Bolt - Socket	2	2	
26	JL 1510 36	Steering Top Bolt	1	-	
	JY 1510 11	Steering Top Bolt	-	1	



Radiator Covers

No.	Part No.	Description	Qty.		Remarks
			200 NS	200 AS	
1	JL 1810 19	Shroud Assy RH	1	1	
2	KB UB05 12	Screw Truss	4	4	
3	JW 1812 36	Clip Nut M5	4	4	
4	KB UA06 12	Screw - Truss	4	4	
5	39 1672 04	Bolt - Flange : M6 X 16	2	2	
6	JL 1812 32	Shroud Mtg Bkt RH	1	1	
7	39 2141 24	Washer (Non Metallic Round Washer)	4	4	
8	JL 1810 17	Shroud Assy LH	1	1	
9	DJ 1810 65	Clip Nut M5	4	4	
10	JB 1812 23	Beading Speedo Flap	2	2	



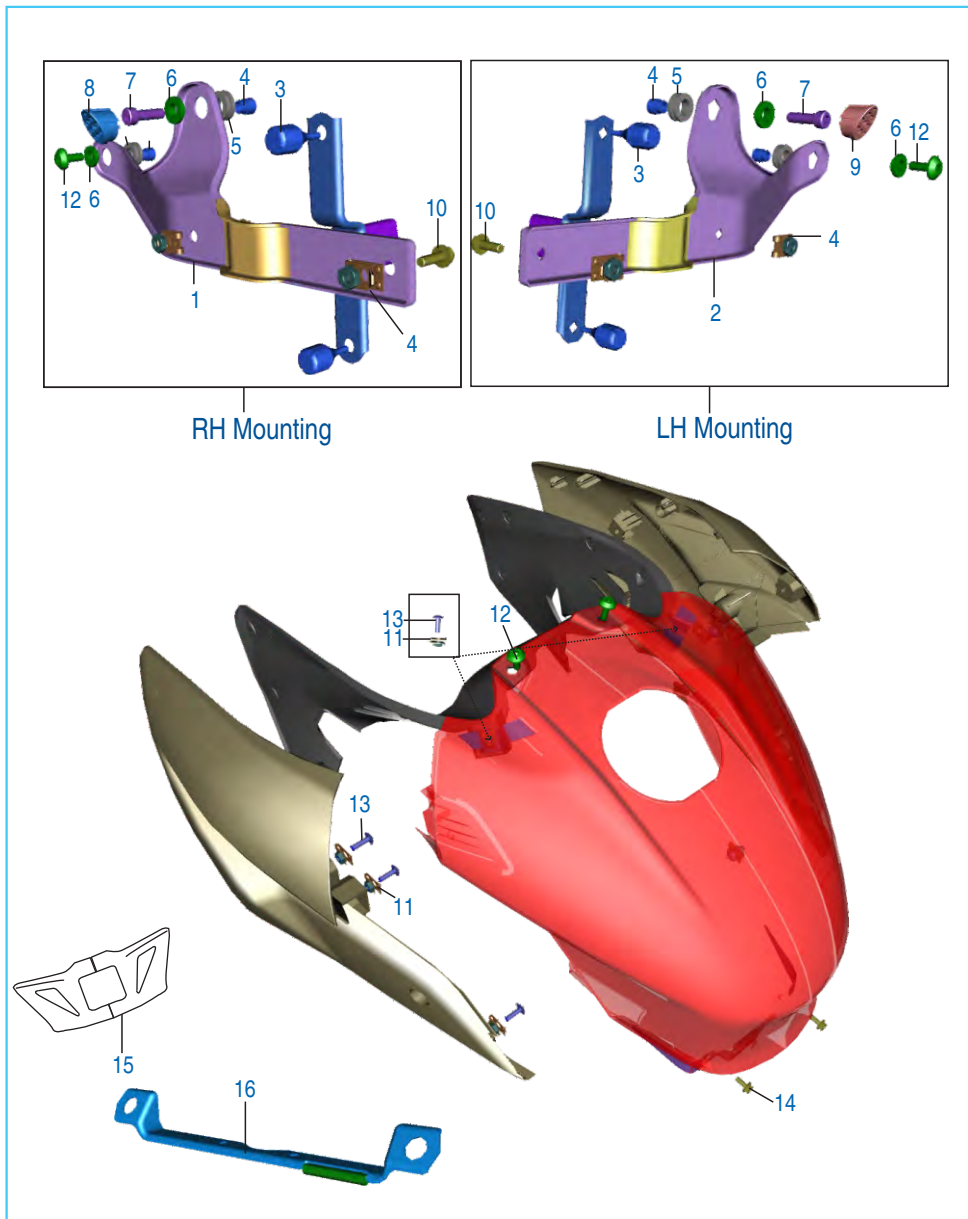
FWD Front Wheel Direction

Plate No.: 41

Petrol Tank, Cap Tank and Gauge Fuel

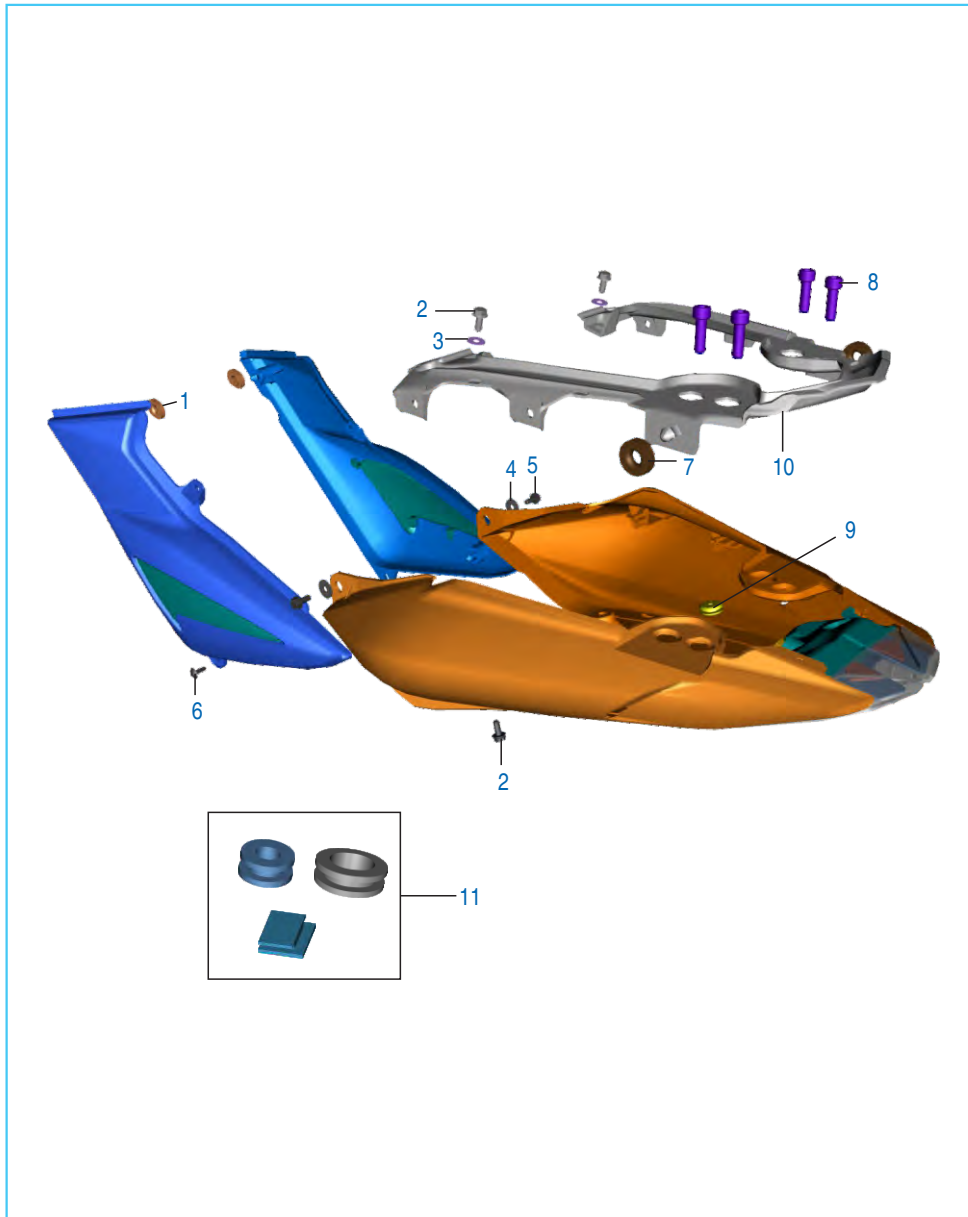
No.	Part No.	Description	Qty.		Remarks
			200 NS	200 AS	
1	52 JL00 47	Tank Assembly	1	-	
	JL 1710 81	Tank Assembly	1	1	from chs. MD2A36FZ2DCD99502
2	JL 1716 00	Cap Tank	1	-	
	56 JL04 01	Cap Tank (Moon Light Silver)	1	1	Ref. Cir. IB-82
3	39 2381 04	Bolt - Hexagon Socket Head Cap:M5	6	-	
	KA Cb05 16	Bolt Master	-	6	
4	JL 1710 49	Damper Ring Tank Cap	1	1	
5	36 JL00 12	Kit Tank Damper	1	1	
6	JL 4026 00	Sensor Fuel Level	1	-	
	JL 4026 02	Sensor Fuel Level	1	1	from chs. MD2A36FZ2DCD99502
6A	DK 1410 28	'O' ring for Fuel Sensor	1	1	
7	39 2484 15	Nut - Flange :- M5	4	-	
	KC GA05 05	Nut - Flange	-	4	
8	JL 1710 37	Breather Tube	1	1	
9	JL 1710 63	Pipe - Drain	1	1	
10	JL 1718 02	Filter Inline	1	1	
11	JL 1710 36	Tube Fuel (Carburettor)	1	1	
12	JL 1710 35	Tube Fuel (Tank)	1	1	
13	JL 1718 00	Tap Fuel Assembly	1	1	
14	JL 1710 60	O Ring-For Knob	1	1	
15	JL 1718 03	Pin Snap For Knob	1	1	
16	JL 1718 01	Knob Fuel Tap	1	1	
17	DD 1412 27	Bolt - Flanged	2	2	
18	39 1946 04	Bolt Tank mtg Front	1	1	
19	JL 1710 19	Sleeve Tank Mtg Front	3	3	
20	JL 1710 18	Grommet Tank Mtg Front	1	1	N.I
21	39 1943 04	Bolt	2	-	
22	39 1054 11	Washer Plain	2	-	
23	JL 1710 20	Grommet Tank Mtg Rear	2	2	
24	JL 1710 85	Spring Fuel Tube	1	1	w.e.f. Mar. 2013
25	JL 1710 96	Sealing Ring Fuel Cock	1	1	
26	JL 1710 73	Damper Tank Cover Resting Cover	1	1	(from chs. MD2A36FZ2DCD99502)

Fittings - Petrol Tank Cover, Side Covers & Cover Seat



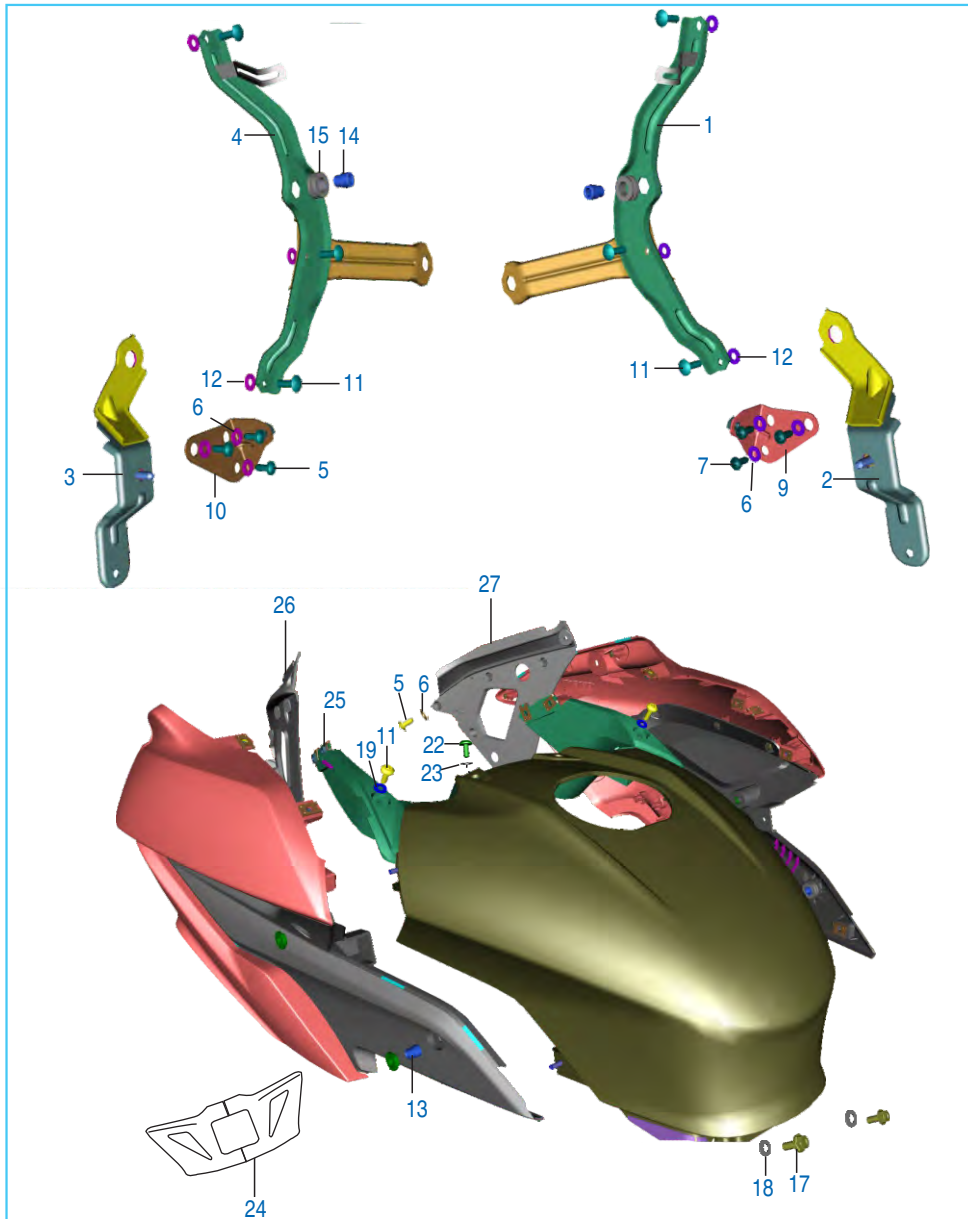
No.	Part No.	Description	Qty.		Remarks
			200 NS	200 AS	
1	JL 1710 99	Bracket Side Cover Mtg Rh	1	-	
2	JL 1710 22	Bracket Side Cover Mtg LH	1	-	
3	JL 1710 57	Damper	4	-	
4	JL 1710 71	Tank Cover Mtg Sleeve	8	-	
5	JL 1710 24	Damper Structure Mtg	2	-	
6	JL 1710 70	Rubber Grommet	8	-	
7	LA C000 63	Bolt - Socket :- M6	2	-	
8	JL 1710 62	Cover Mesh Rh	1	-	
9	JL 1710 61	Cover Mesh LH	1	-	
10	KA DB05 16	Bolt Flanged	2	-	
11	DJ 1612 29	Clip Nut M5	16	-	
12	LA C000 22	Bolt Socket-Special Head	4	-	
13	KB UB05 16	Screw Truss	8	-	
14	KA DA05 12	Screw - Truss Cross : M5	2	-	
15	JL 1710 78	Pad Tank Cover	1	-	
16	JL 1111 02	Bracket Side cover Mtg	1	-	

Fittings - Cover Seat Pulsar 200 NS



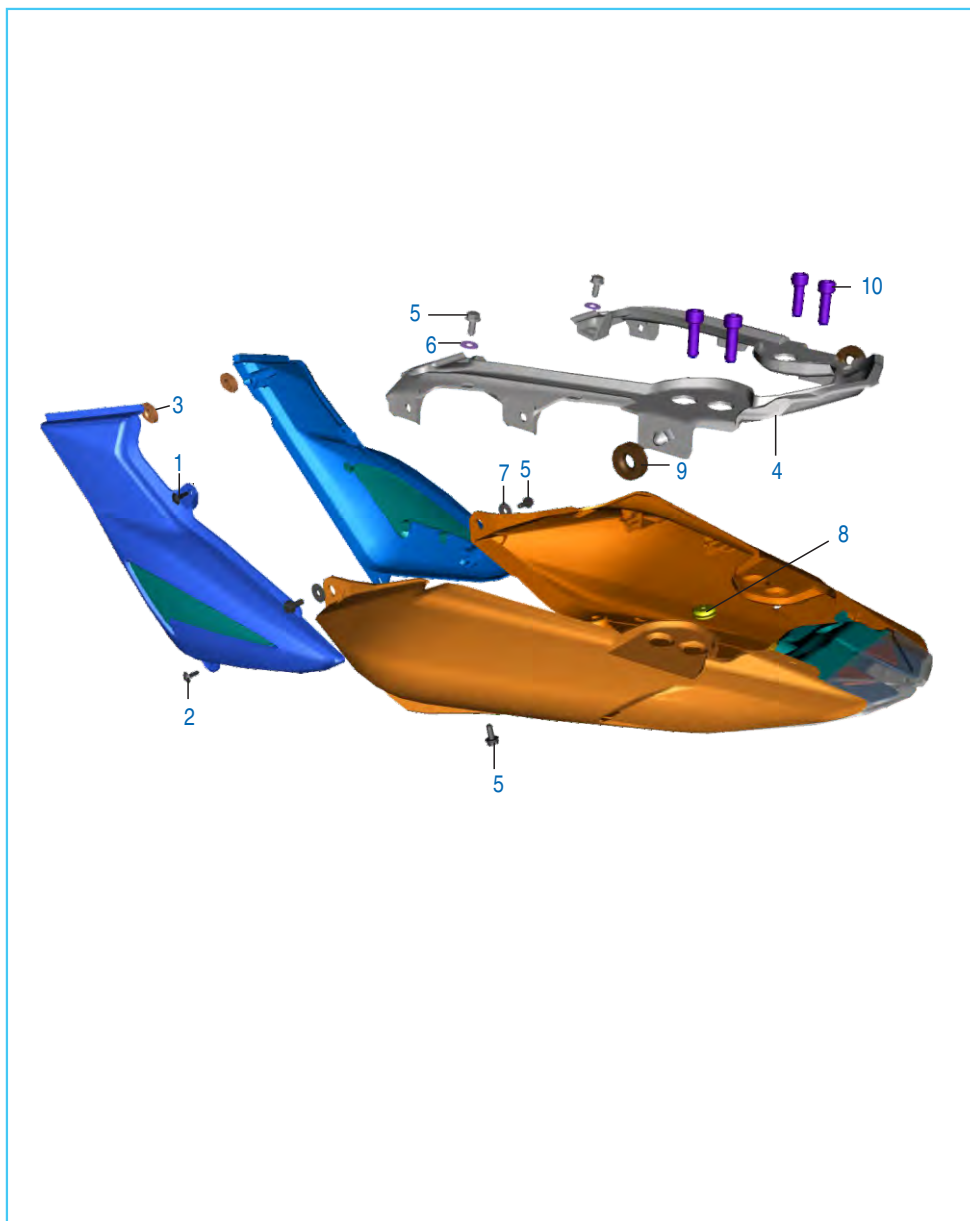
No.	Part No.	Description	Qty.		Remarks
			200 NS	200 AS	
1	DS 1410 12	Grommet Side Cover Front	2	-	
2	39 1943 04	Bolt Flanged	4	-	
3	39 0239 11	Washer - Plain	2	-	
4	39 0722 11	Washer	2	-	
5	KA DE06 14	Bolt Flange	2	-	
6	39 1781 01	Screw Round Head	4	-	
7	DH 1611 58	Grommet- Side cover Rear	2	-	
8	LA C000 35	Bolt Socket	4	-	
9	DJ 2011 73	Grommet for cables- RR Fender	2	-	
10	JL 1812 14	Seat Cowl Central Inner	1	-	
11	36 JL00 16	KIT S COWL GROMMET-P200	1	-	

Fittings - Fairing & Petrol Tank Cover - Pulsar 200 AS



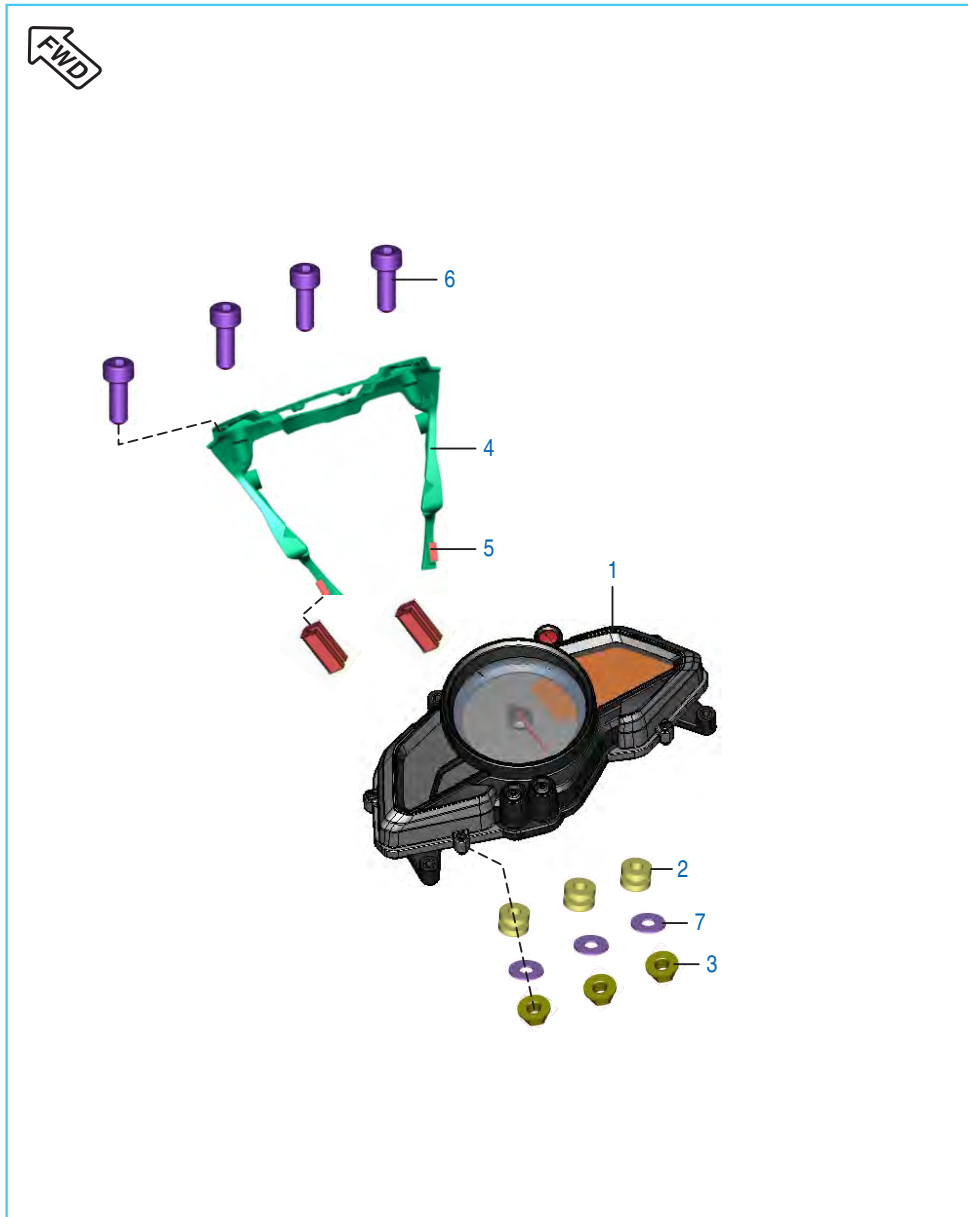
No.	Part No.	Description	Qty.		Remarks
			200 NS	200 AS	
1	JL 1814 49	Bracket Fairing Mounting LH	-	1	
2	JL 1814 47	Bracket Blinker Mounting LH	-	1	
3	JL 1814 48	Bracket Blinker Mounting RH	-	1	
4	JL 1814 50	Bracket Fairing Mounting RH	-	1	
5	39 1778 02	Screw	-	12	
6	KD AA04 08	Washer Plain	-	12	
7	LB R000 02	Screw Self Tapping	-	6	
8	KD BA05 12	Washer Plain	-	6	
9	JL 1814 56	Bracket Side Fairing Mtg LH	-	1	
10	JL 1814 57	Bracket Side Fairing Mtg RH	-	1	
11	LB U000 23	Screw Truss	-	9	
12	KD BA05 12	Washer Plain	-	3	
13	JL 1710 70	Tank Cover Grommet	-	2	
14	JL 1710 71	Tank Cover Mtg Sleeve	-	2	
15	JL 1710 24	Damper	-	4	N.I
16	KA DA06 30	Bolt Flanged	-	2	
17	KA DA05 12	Bolt Flanged	-	4	
18	KD BB05 12	Washer	-	2	
19	LA C000 63	Bolt Socket	-	2	
20	LA C000 34	Bolt M6	-	2	N.I
21	LD B000 23	Washer Plain	-	4	N.I
22	LA C000 22	Bolt Socket Head	-	2	
23	31 1610 78	Washer Nyloc	-	2	
24	JL 1710 78	Pad Tank Cover	-	1	
25	JL 1814 39	Cvr Tank Top Inner	-	1	
26	JL 1814 24	Sub Assly Side Fairing LH	-	1	
27	JL 1814 25	Sub Assly Side Fairing RH	-	1	

Fittings - Side Covers & Cover Seat Pulsar 200 AS



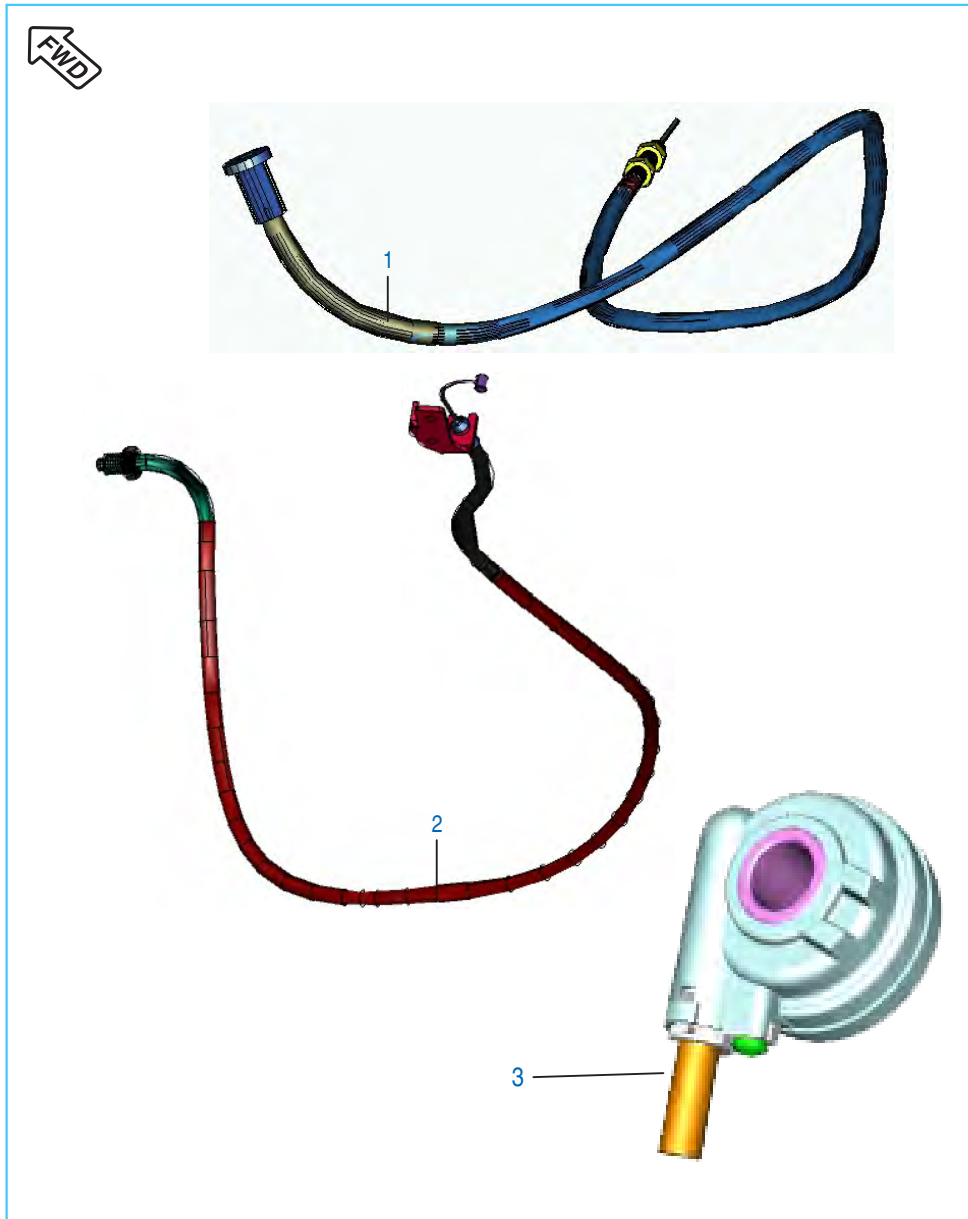
No.	Part No.	Description	Qty.		Remarks
			200 NS	200 AS	
1	JL 1812 88	Step Screw	-	2	
2	KB UA06 12	Screw Truss	-	2	
3	DS 1410 12	Grommet Side Cover	-	4	
4	JL 1812 14	Seal Cowl Inner	-	1	
5	KA Df06 14	Bolt Flanged	-	4	
6	LD B000 23	Washer Plain	-	2	
7	39 0722 11	Washer Plain	-	2	
8	DJ 2011 73	Grommet For Cable RR fender	-	2	
9	DH 1611 58	Grommet Side Cove Rear	-	2	
10	LA C000 35	Bolt Socket	-	4	

Meter Assembly



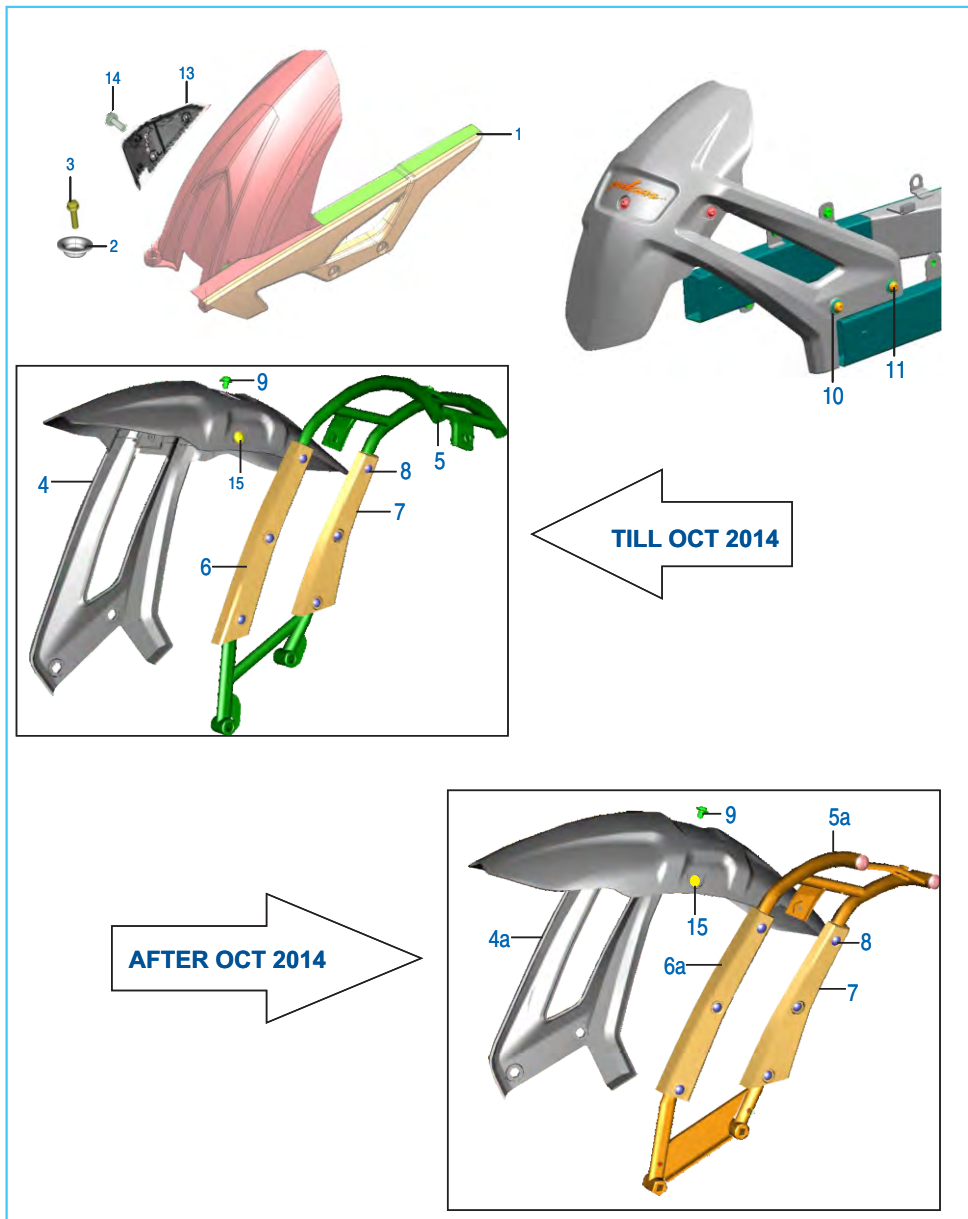
No.	Part No.	Description	Qty.		Remarks
			200 NS	200 AS	
1	JL 4024 00	Speedometer Assembly	1	-	
	JL 4024 05	Speedometer Assembly	1	1	Ref. Cir. IB-74
2	JG 1812 38	Grommet Dashboard	3	3	
3	39 0291 15	Nut - Hexagon :- M5 X 0.8	3	3	
	KC AA05 04	Nut Hex Thick	3	3	
4	JL 1812 41	Assembly Speedo Flap	1	-	
5	JB 1812 23	Beading Speedo Flap	2	2	
6	KA CB05 14	Bolt-Socket-Kac St-B Dia-05 L-14	4	-	
7	LD B000 07	Washer Plain	3	3	
8	JL 4024 03	Speedometer Harness	1	-	N.I. (For JL402400)
9	JL 1810 25	Bolt Socket	-	4	
10	KD Aa05 10	Washer Plain	-	4	
11	JL 1814 37	Speedo Flap	-	1	
12	JG 1812 59	Rivet Snap	-	2	

Control Cables



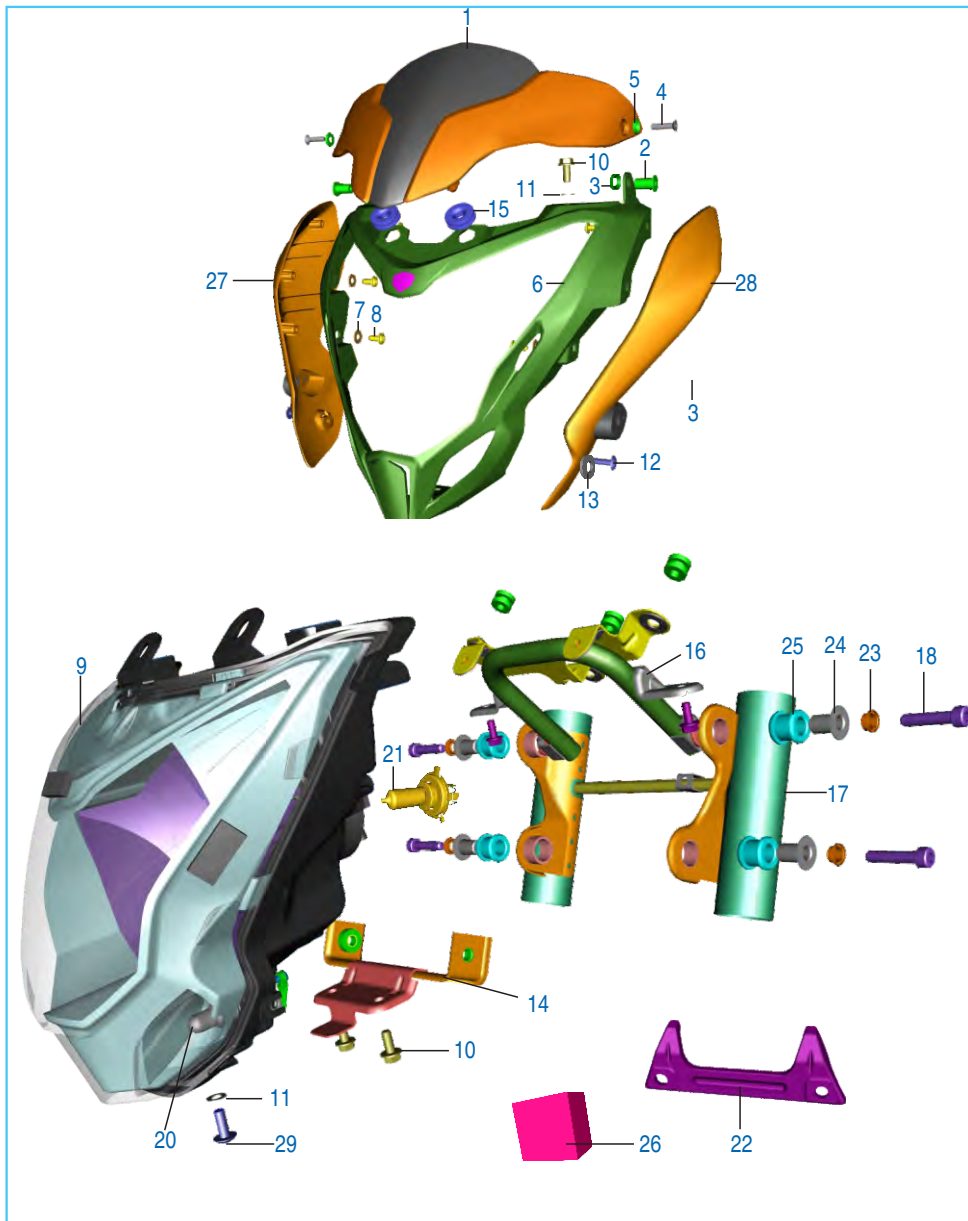
No.	Part No.	Description	Qty.		Remarks
			200 NS	200 AS	
1	JL 1612 01	Cable Throttle	1	-	
	JL 1612 06	Cable Throttle	-	1	
2	JL 1612 00	Cable Clutch	1	1	
3	JC 1510 19	Speed Sensor Assly.	1	1	
4	DK 2010 98	Speedo Sensor	1	1	

Chain Case



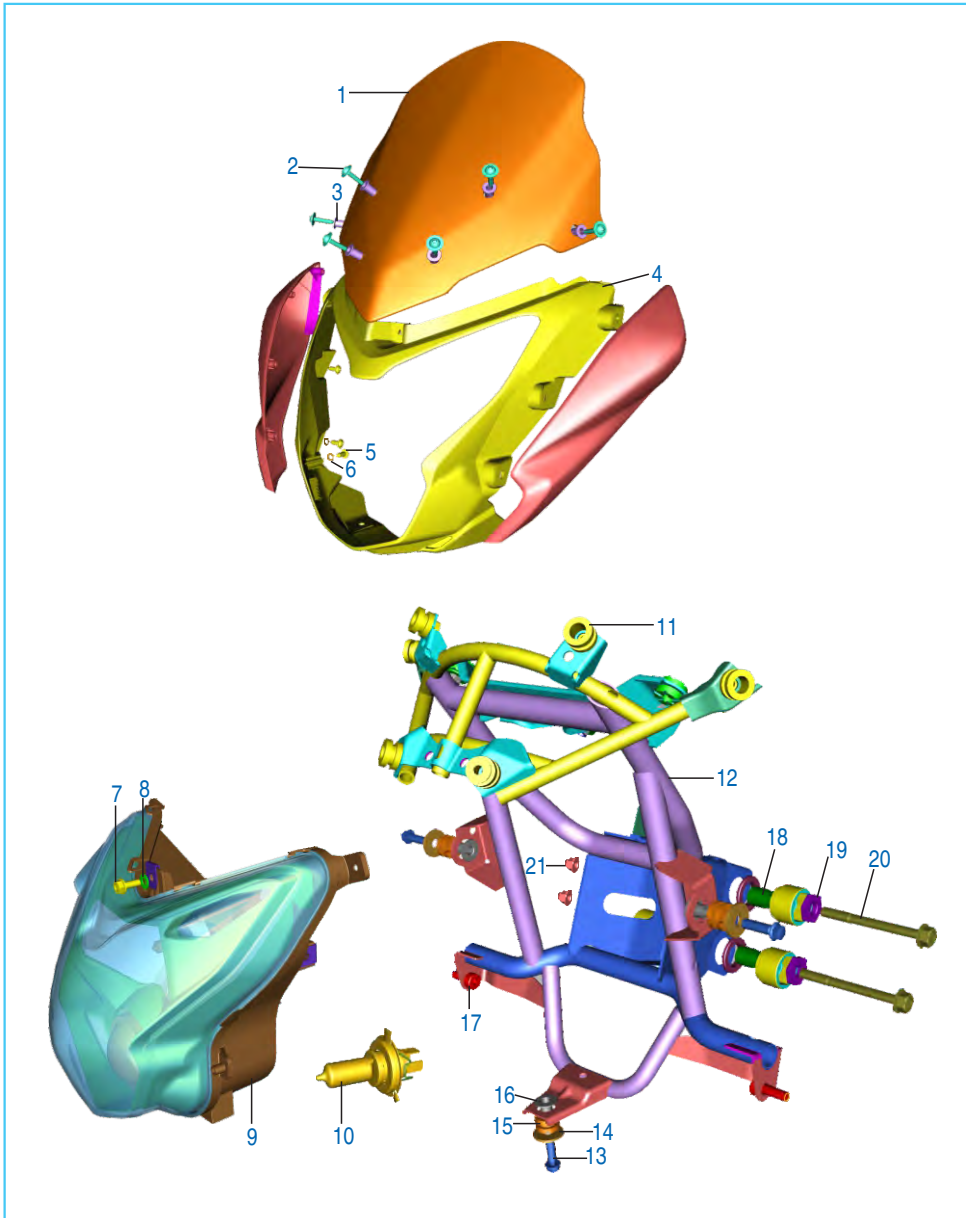
No.	Part No.	Description	Qty.		Remarks
			200 NS	200 AS	
1	JL 1812 05	Cover Assly Chain	1	1	
2	JG 1220 28	Extruded Washer	2	2	
3	39 1791 04	Bolt Flanged M6X8	2	2	
4	JL 1814 09	Asly Hugger Rear	1	-	
4a	DT 1814 14	Asly Hugger Rear	1	-	
5	JL 1810 06	Tube Rear Hugger Mtg	1	-	
5a	DT 1810 00	Tube Rear Hugger Mtg	1	-	
6	JL 1814 07	Cover 1- Hugger Rear	1	-	
6a	DT 1814 15	Cover 1- Hugger Rear	1	-	
7	JL 1814 08	Cover 2- Hugger Rear	1	-	
8	KB UB04 10	Screw	6	-	
9	LA C000 37	Bolt Soc-special Head	3	-	
10	39 0265 12	Spring Washer	2	-	
11	LA C000 54	Bolt Special Socket	2	-	
12	JL1814 10	Collar Hugger Rear	2	-	
13	JL 1812 53	Chain Cover RH Side	1	1	
14	LA C000 08	Bolt Socket Head	2	-	
	LA C000 54	Bolt Socket Head	2	2	

Head Lamp & Fairing - Pulsar 200 NS



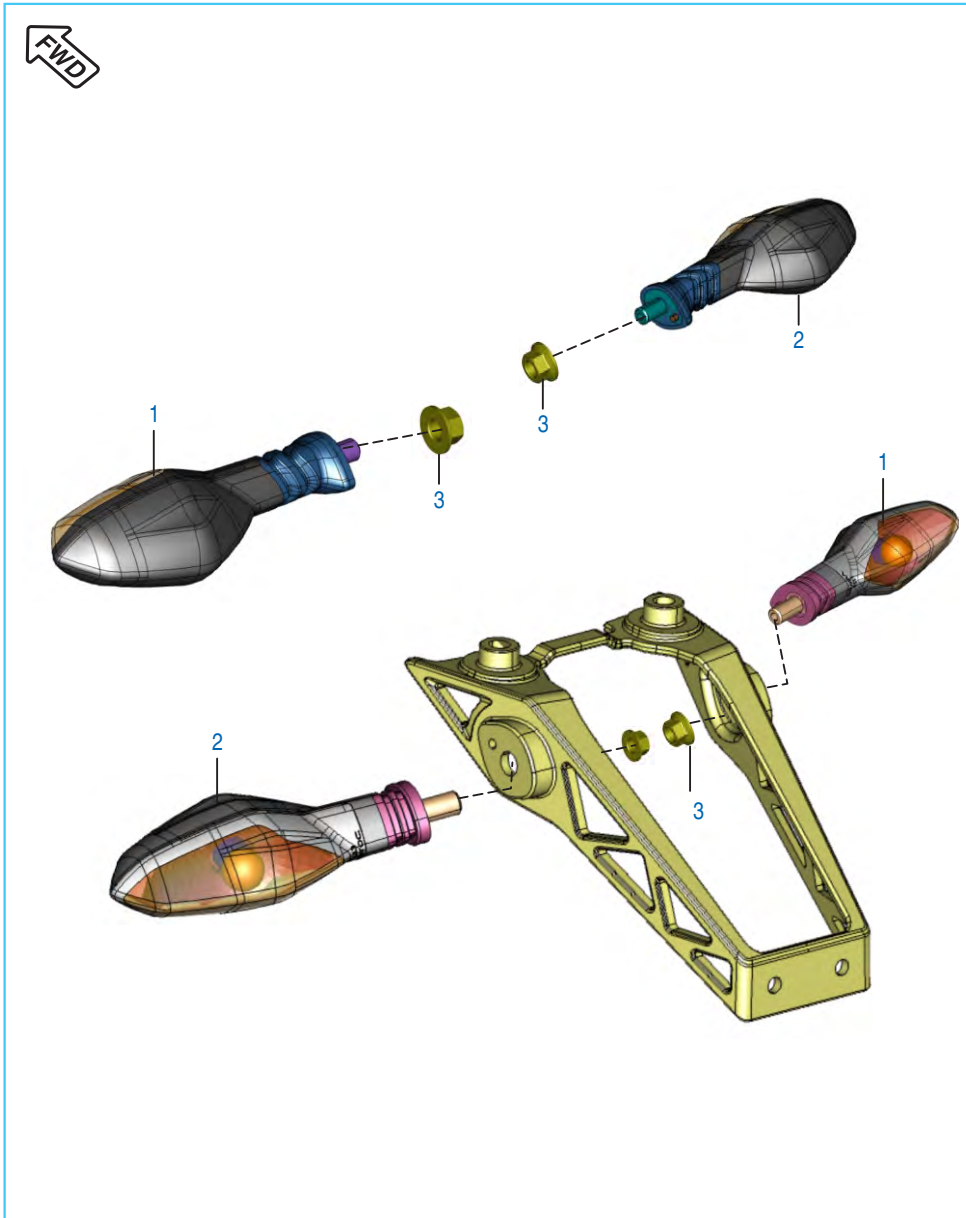
No.	Part No.	Description	Qty.		Remarks
			200 NS	200 AS	
1	JL 1810 08	Windshield Assembly	1	-	
2	JG 1812 36	Well Nut - M5 X 16 L	2	-	
3	JG 1812 35	Washer Special	2	-	
4	LB S000 02	Screw M5X20Lx4.8	2	-	
5	JL 1812 47	Grommet Wind Screen Mounting	2	-	
6	JL 1812 03	Fairing	1	-	
7	KD BA05 12	Washer Plain Small	6	-	
8	LB R000 02	Self Tapping Screw - Dia 5	6	-	
9	JL 4010 12	Head Lamp Assy	1	-	
10	KA DE06 14	Bolt - Flanged	2	-	
11	KD AA06 11	Washer - Plain	3	-	
12	KB UA05 16	Screw - Truss - M5 X 16L, 4.8	2	-	
13	39 2141 24	Washer	2	-	
14	JL 1812 36	Bracket Lower Mtg	1	-	
15	JL 1812 49	Damper Head Lamp	1	-	
16	JL 1812 37	Bracket Upper Mtg	1	-	
17	JL 1812 35	Lamp Shade assly.	1	-	
18	KA CH08 35	Bolt Pivot Mass Carrier	4	-	
19	36 JL00 17	Kit Wind Shield Mtg	1	-	
20	DH 1910 37	Bulb Pilot 12V 3W	2	-	
21	EC 4010 30	Head Lamp Bulb 60/55W (H4)	1	-	
	CL 2010 23	Lamp 12V-35/35W	1	-	E Marked
22	JL 1812 83	Bracket Wind Shield	1	-	
23	JL 1812 57	collar Fairing	4	-	
24	PA 1812 93	Collar Fairing Mtg.	4	-	
25	PA 1812 92	Grommet Fairing Mtg.	4	-	
26	JL 1812 63	Foam Strip	1	-	
27	JL 1812 34	Side Mask RH	1	-	
28	JL 1812 33	Side Mask LH	1	-	
29	KB Ua06 16	Screw Truss	1	-	

Head Lamp & Fairing - Pulsar 200 AS

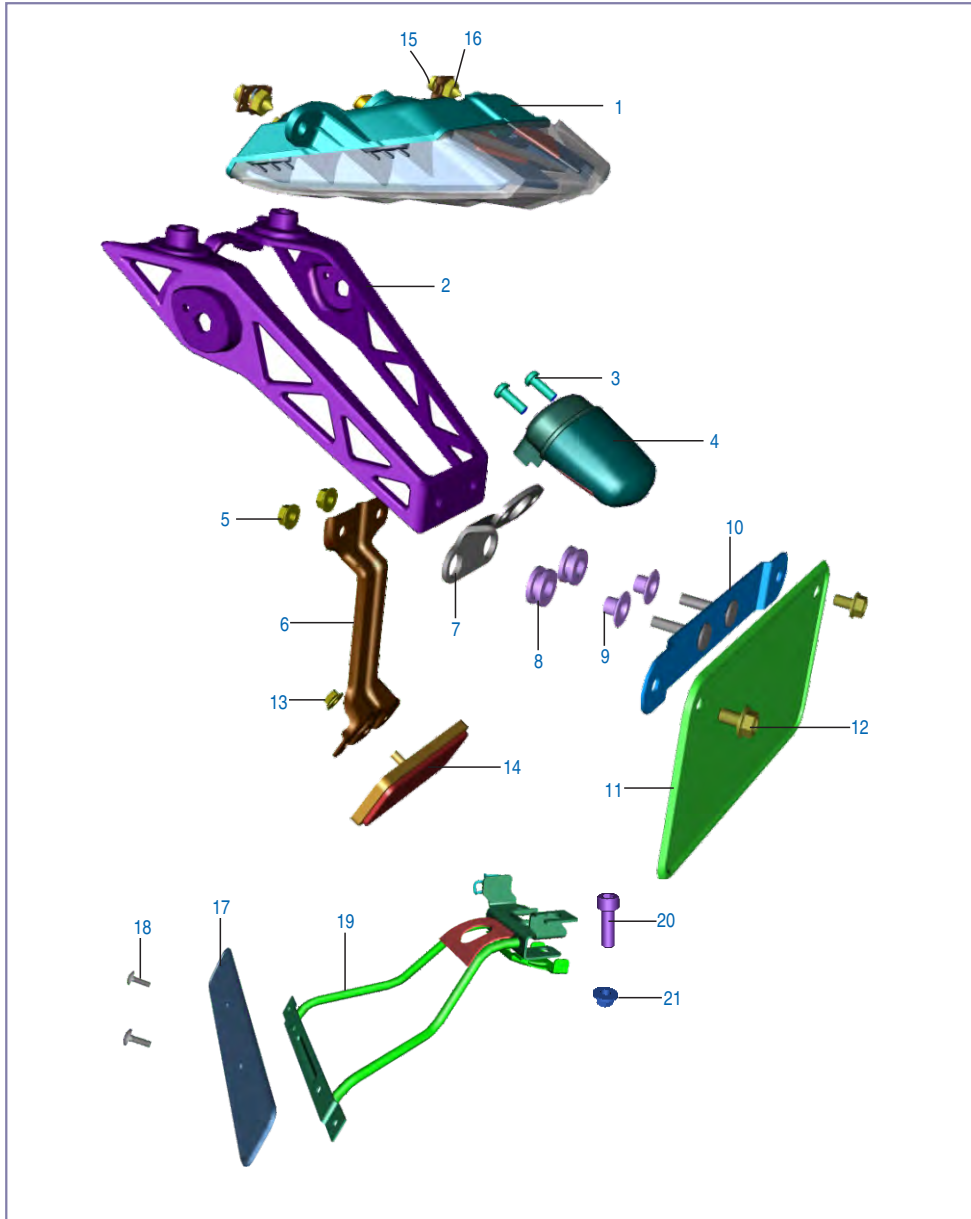


No.	Part No.	Description	Qty.		Remarks
			200 NS	200 AS	
1	JL 1814 26	Wind Shield	-	1	
2	LB U000 30	Screw Truss	-	7	
3	JL 1814 53	Collar Wind Shield	-	7	
4	JL 1814 17	Mask	-	1	
5	LB R000 02	Self Tapping Screw	-	10	
6	KD Ba05 12	Washer Plain	-	10	
7	KA DC06 16	Bolt Flanged	-	1	
8	KD Ba06 13	Washer Plain	-	1	
9	JL 4010 17	Headlamp Assly	-	1	
10	DK 2010 43	Headlamp Bulb 55 W	-	1	
11	JL 1812 45	Grommet	-	6	
12	JL 1814 16	Fairing Structure	-	1	
13	KA EG06 20	Bolt Flange	-	3	
14	39 0211 11	Washer Plain	-	3	
15	DJ 1810 64	Grommet Fairing Mtg	-	3	
16	DJ 1810 29	Collar Fairing Mtg	-	3	
17	JD 1718 01	Socket Head Bolt	-	2	
18	DT 1813 11	Spacer Fairing Structure Mtg	-	4	
19	DT 1813 10	Hex Thrust Washer	-	4	
20	LA D001 20	Bolt Flanged	-	2	
21	39 2535 15	Nut Dome Cap	-	2	

Indicator Light Assembly



No.	Part No.	Description	Qty.		Remarks
			200 NS	200 AS	
1	JL 4010 04	Indicator Assy FR LH / RR RH	1	1	
2	JL 4010 06	Indicator Assy FR RH / RR LH	1	1	
3	39 1225 15	Nut - Hexagon With Flange : M10	4	-	
	KC GA10 10	Nut - Hexagon	-	2	Front Indicator Mtg
	KC GD10 10	Nut - Hexagon	-	2	Rear Indicator Mtg



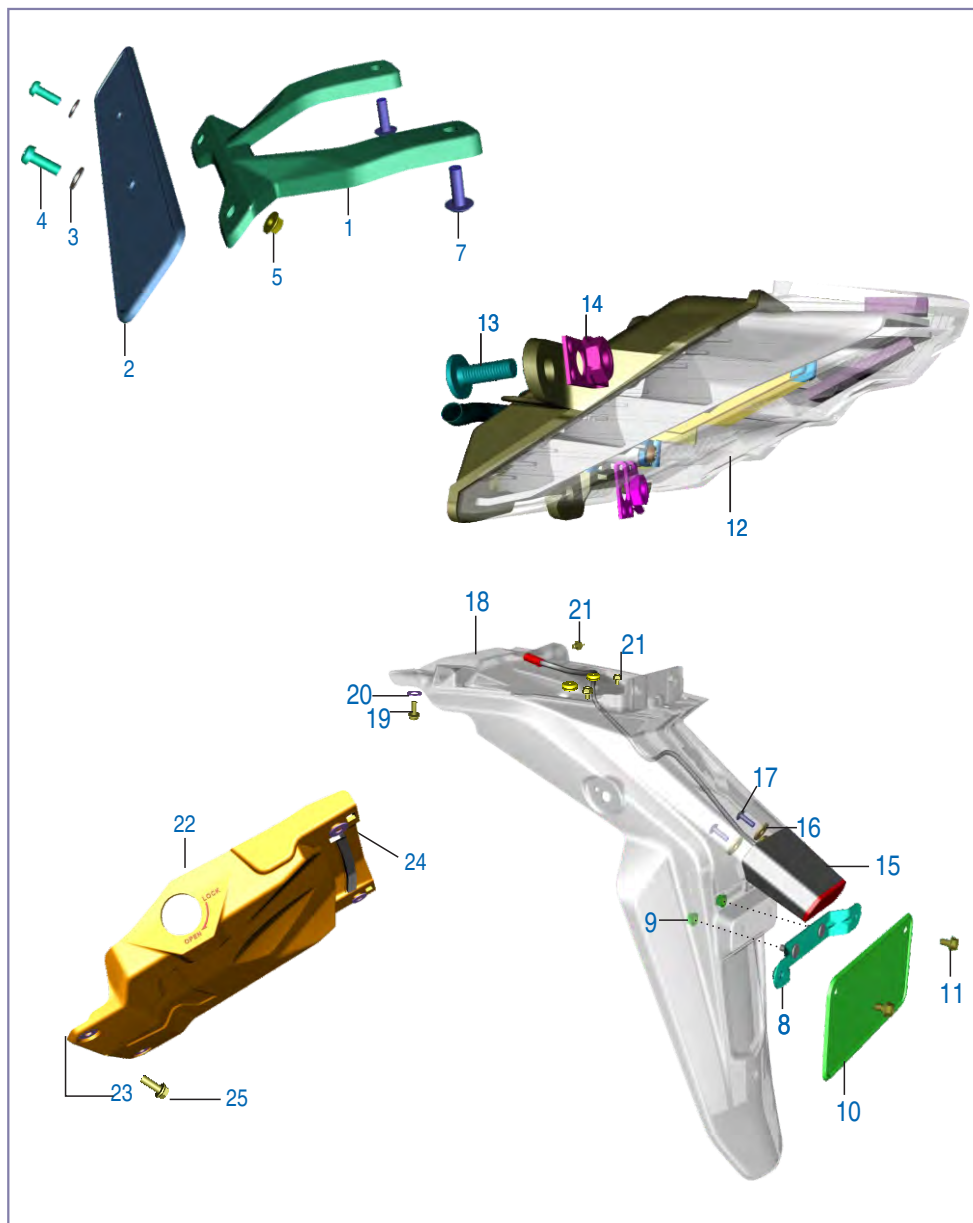
FWD Front Wheel Direction

Plate No.: 52

Tail Lamp Assly / Front Number Plate - Pulsar 200 NS

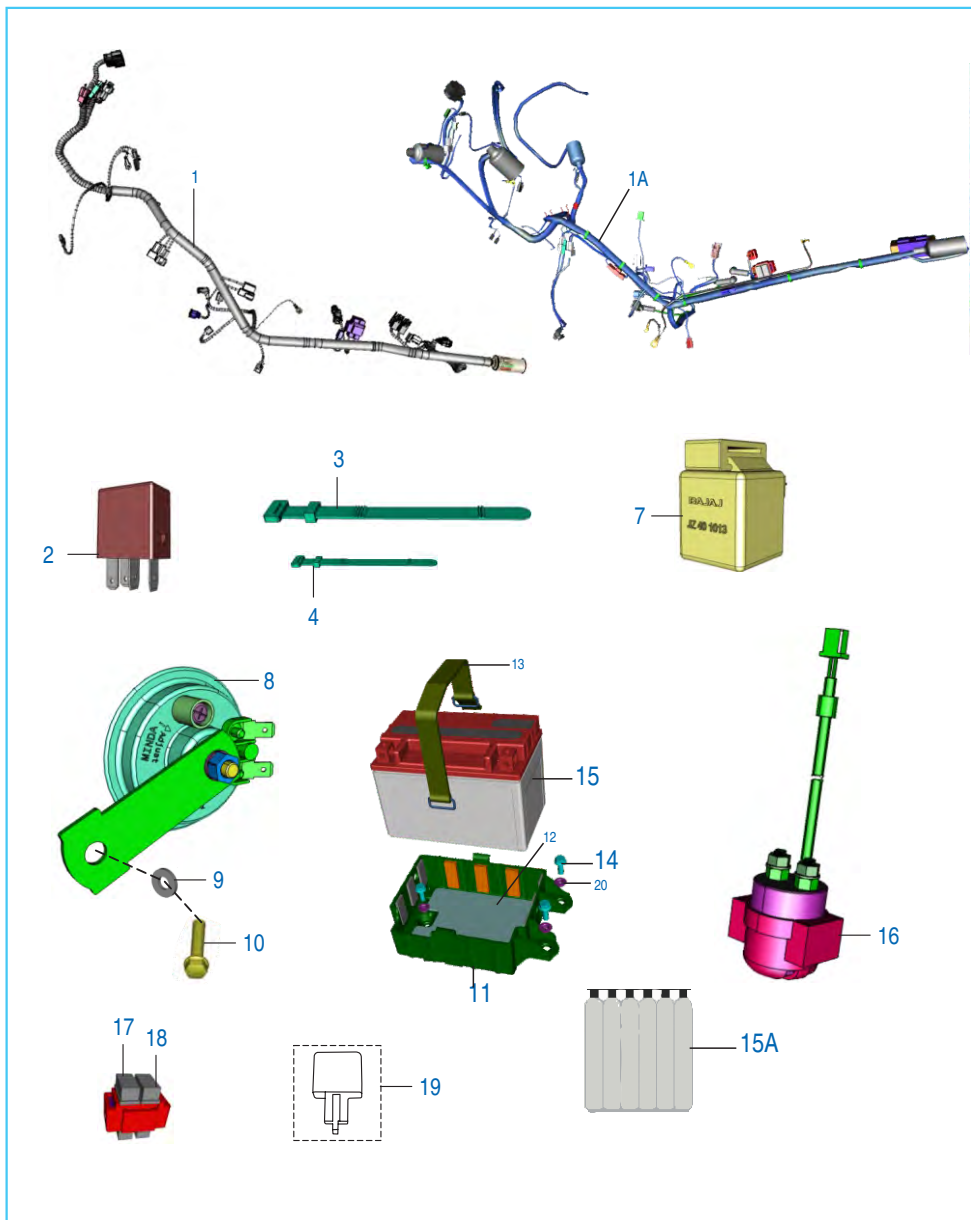
No.	Part No.	Description	Qty.		Remarks
			200 NS	200 AS	
1	JL 4010 02	Lamp Tail Assly	1	-	
2	JL 1138 00	Bracket Rear Blinker Mtg	1	-	
3	KB Ba05 14	Screw Pan Cross	2	-	
4	JD 4010 07	Rear Number Plate Lamp	1	-	
5	KC Gd06 06	Nut Hex Flanged	2	-	
6	JL 1138 03	Bracket Reflector	1	-	
7	JL 1138 10	Bracket Number Plate Illumination	1	-	
8	JL 1138 10	Grommet Illumination Bracket	2	-	
9	JL 11 3812	Sleeve	2	-	
10	JL 2328 08	Bracket RR Number Plate Mtg.	1	-	
11	DP 1611 45	Number Plate	1	-	
12	KA Dd05 10	Bolt Flanged	2	-	
13	39 2484 15	Nut Hex Flanged	1	-	
14	DD 2010 02	Reflector	1	-	
15	39 1907 01	Screw Truss Cross	3	-	
16	DJ 1612 29	Nut Clip	3	-	
17	JU 2328 00	Front Number Plate	1	-	
18	LB U000 09	Screw Mushroom Head	2	-	
19	JL 2328 05	Bracket Number Plate	1	-	
20	59 0400 48	Bolt - Flanged : M8	1	1	Alternate
21	LC A000 08	Nut	2	-	

Tail Lamp Assly / Front Number Plate - Pulsar 200 AS



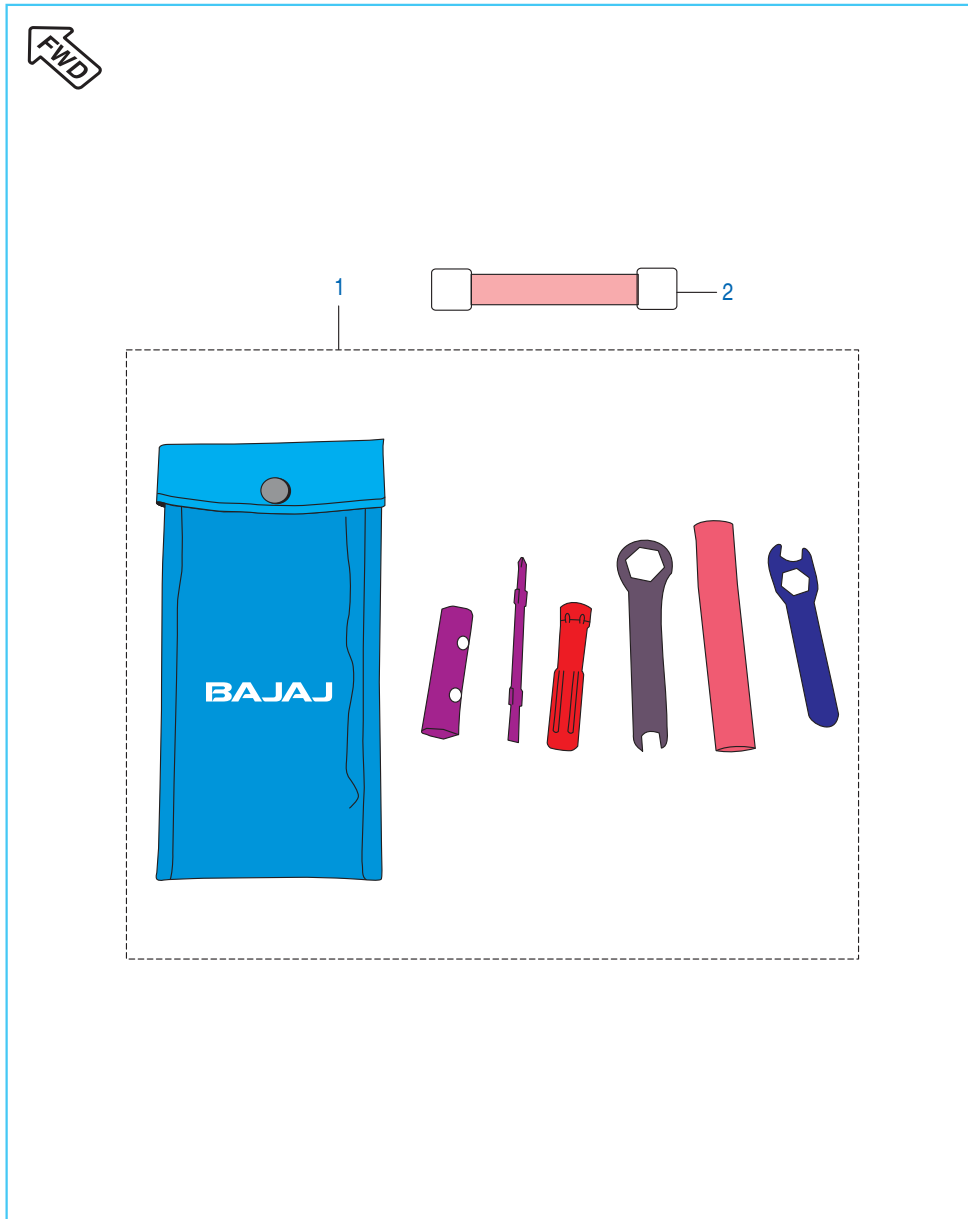
No.	Part No.	Description	Qty.		Remarks
			200 NS	200 AS	
1	JL 2328 10	Bracket No Plate Front	-	1	
2	JU 2328 00	No. Plate Front	-	1	
3	39 2141 24	Washer None Metallic	-	2	
4	KB Ba05 14	Screw Pan Cross	-	2	
5	KC Ga05 05	Nut Hex	-	2	
6	JY 1812 84	Washer Nylon	-	2	
7	KB Uc06 25	Screw Truss	-	1	
8	JL 2328 11	Bracket No. Plate Mtg.	-	1	
9	LC G000 08	Nut Flanged	-	2	
10	DP 1611 45	Nut Flanged Rear	-	1	
11	KA DD06 10	Bolt Flanged	-	2	
12	JL 4010 02	Tail Lamp	-	1	
13	39 1907 01	Screw	-	3	
14	DJ 1612 29	Clip Nut	-	3	
15	JF 4010 16	Lamp Rear Number Plate	-	1	
16	39 0211 11	Washer Plain	-	2	
17	KB Ua05 16	Screw Thrus	-	2	
18	JL 1814 33	Fender Rear	-	1	
19	KA DF06 16	Bolt Flange	-	2	
20	LD B000 23	Washer Plain	-	2	
21	KA DF06 08	Bolt Flange	-	4	
22	JL 1812 09	Fender Rear Front	1	1	
23	39 0239 11	Washer Plain	4	-	
	LD B000 23	Washer Plain	-	4	
24	JL 1812 21	Foam Ream Fender Front	1	1	
25	39 1943 04	Bolt Flanged	2	-	
	KA Df06 14	Bolt Flanged	-	2	

Electrical Equipments



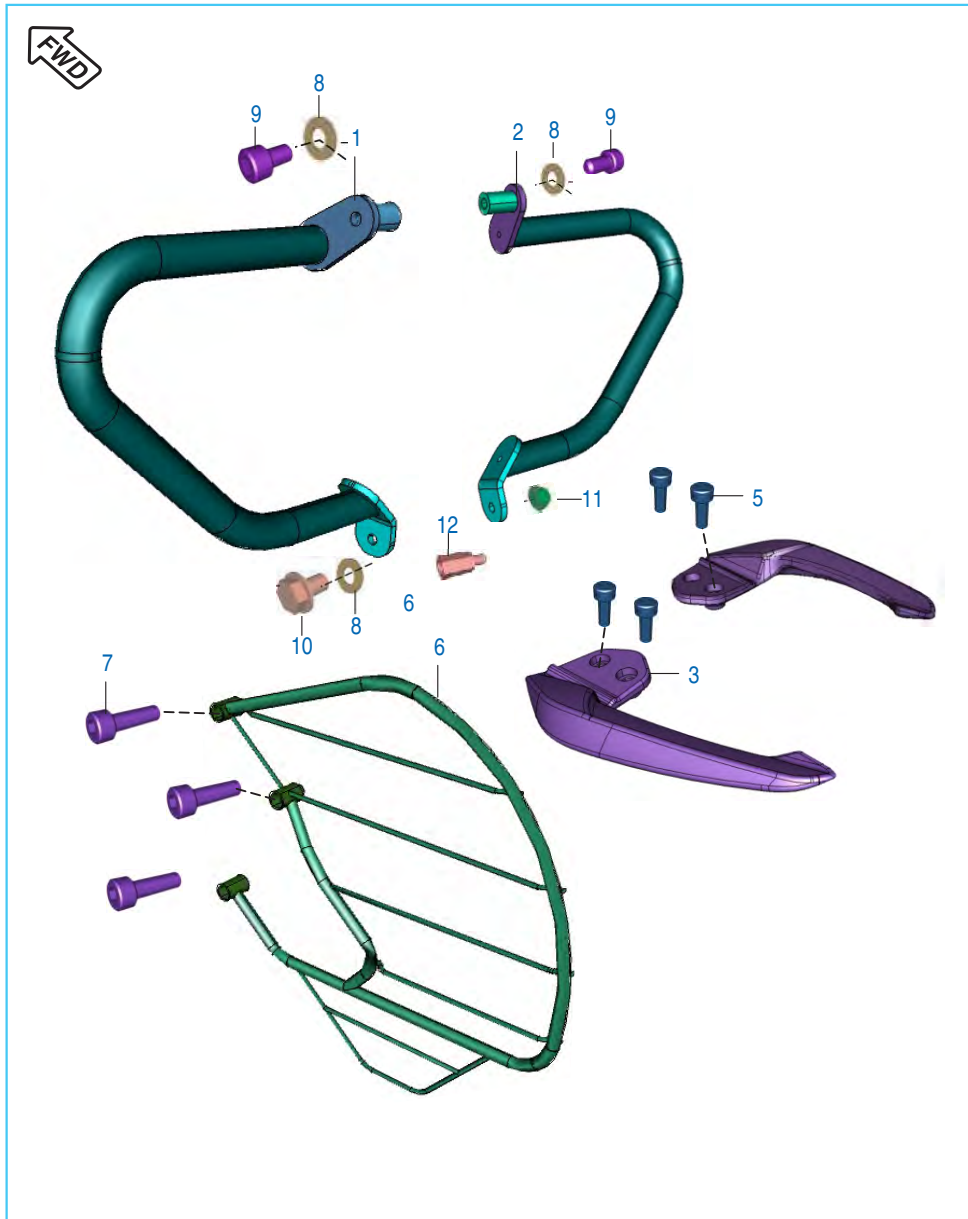
No.	Part No.	Description	Qty.		Remarks
			200 NS	200 AS	
1	JL 4022 03	Harness Wiring	1	-	for Argentina
	JL 4022 10	Harness Wiring	1	-	
1A	JL 4022 29	Harness Wiring	1	-	Ref. Cir. IB-194
	JL 4022 20	Harness Wiring	-	1	
	JL 4022 28	Harness Wiring	-	1	N.I.
	2	JL 4030 00	Relay Inter lock	1	
3	30 1910 48	Band	5	5	N.I.
4	30 2010 64	Band	3	3	
5	JL 4022 01	Cable Assy Relay To Motor	1	1	N.I.
6	JL 4022 02	Cable Earth	1	1	
7	JZ 4010 13	Headlamp Control Unit (Ve Model)	1	-	DT 4020 06
	DT 4020 06	Light Control Module	-	1	
8	JG 4016 01	Horn	1	-	N.I.
	JL 4016 02	Horn	-	1	
9	39 1507 11	Washer - Plain	1	1	N.I.
10	39 2205 04	Hex Head Bolt - Flanged M8	1	-	
	39 1956 04	Bolt Flanged	-	1	
11	JL 1812 18	Battery Case	1	1	N.I.
12	JL 4018 03	Foam Bottom Battery 6 & 8Ah	11	11	
	13	JL 4018 01	Battery Band	1	1
14		39 1944 04	Bolt - Flanged	4	4
	15	JU 4018 03	12V 8Ah Vrla Battery W/o acid Bottle	1	1
15a	JU 4018 02	Acid Bottle	1	1	
16	JN 3516 04	Starter Relay- With Grommet	1	1	N.I.
17	JL 4022 08	Fuse - 20A (Blade Type)	2	2	
18	AP 2010 25	Fuse 15A (Blade Type)	2	2	N.I.
19	DS 2010 25	Flasher - D. C. :- Solid State	1	1	
20	JL 1812 64	Sleeve Battery Box	3	3	

Tool Kit



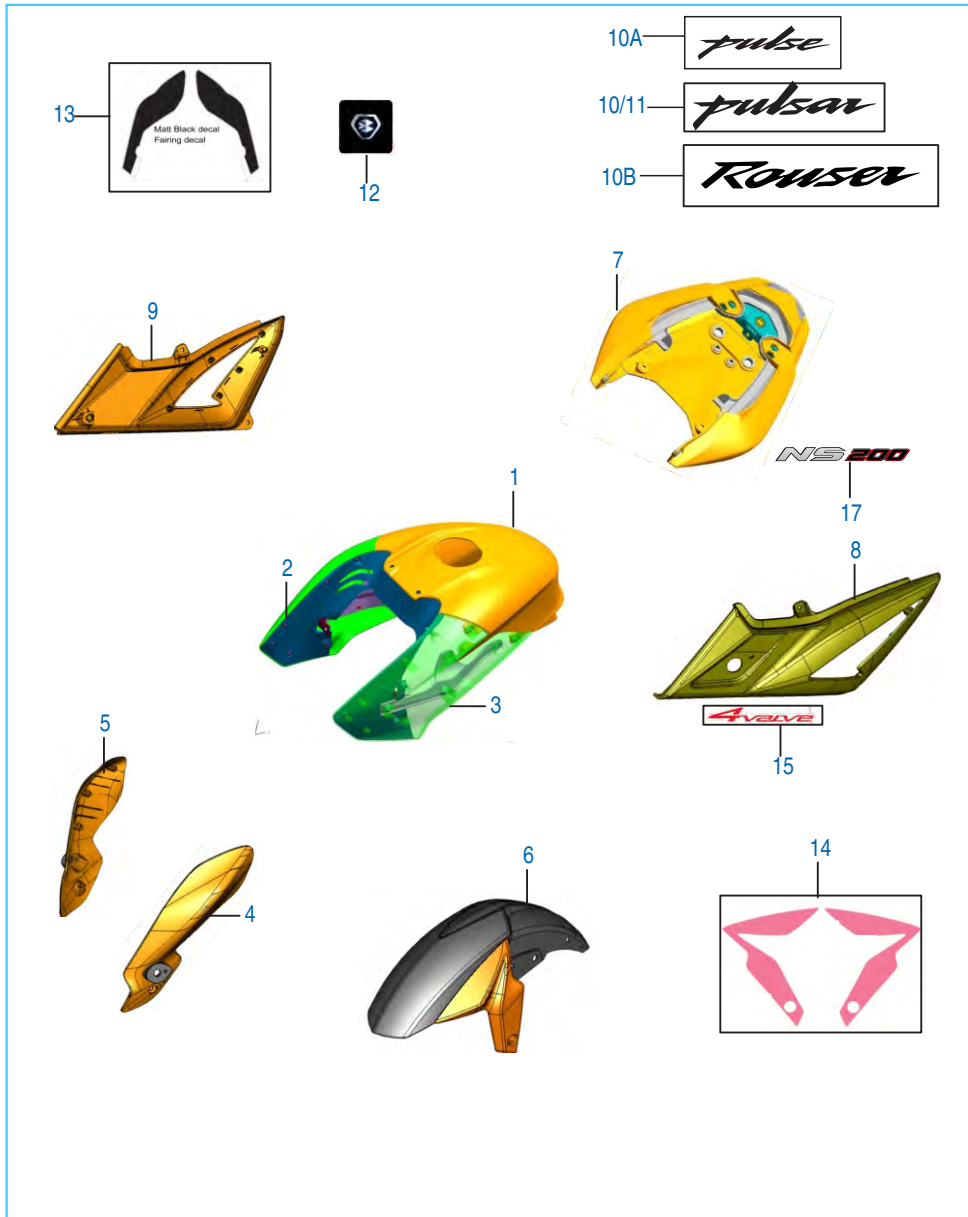
No.	Part No.	Description	Qty.		Remarks
			200 NS	200 AS	
1	DJ 2210 19	Tool Kit	1	1	
2	DK 2210 24	Band Tool Kit	2	2	

Accessories / Grab Handle



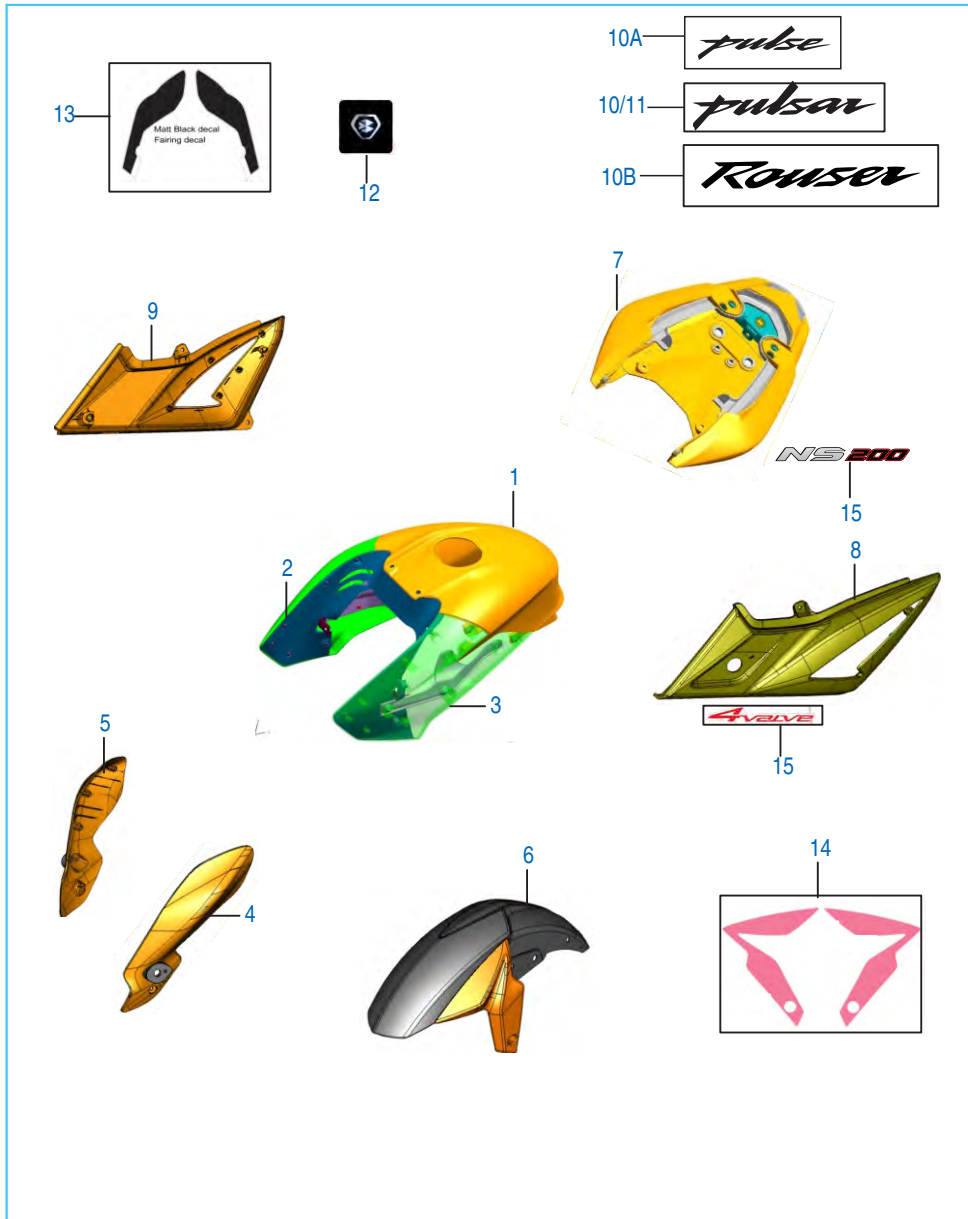
No.	Part No.	Description	Qty.		Remarks
			200 NS	200 AS	
1	JL 2312 01	Guard Leg LH	1	1	
2	JL 2312 03	Guard Leg Guard Rh	1	1	
2A	LA C000 29	Bolt Socket Head	1	1	
3	JL 2314 04	Grab Handle Assy Lh	1	1	
4	JL 2314 05	Grab Handle Assy Rh	1	1	
5	LA C000 17	Bolt Socket M8 X 1.25	4	4	
6	JL 2312 02	Guard Saree	1	-	
	JL 2312 11	Guard Saree	-	1	
7	KA Cb06 22	Bolt Socket L-22	3	2	
7A	39 2038 04	Hex Socket Bolt	-	1	
8	KD BE06 13	Washer	4	4	
9	KA CA06 35	Bolt Socket	2	-	
	LA C000 48	Bolt Socket	-	2	
10	LA D000 40	Bolt Flanged M6-6L	1	-	
	LA C000 48	Bolt Socket	-	1	
11	JU 2312 07	Nut Nylock M8 x 1.25	1	-	
	39 2723 15	Hex Nut	-	1	
12	JU 2312 05	Nut Leg Guard Mounting	1	1	
13	JL 2312 09	Plug Saree Guard	3	3	

Painted Parts and Decals



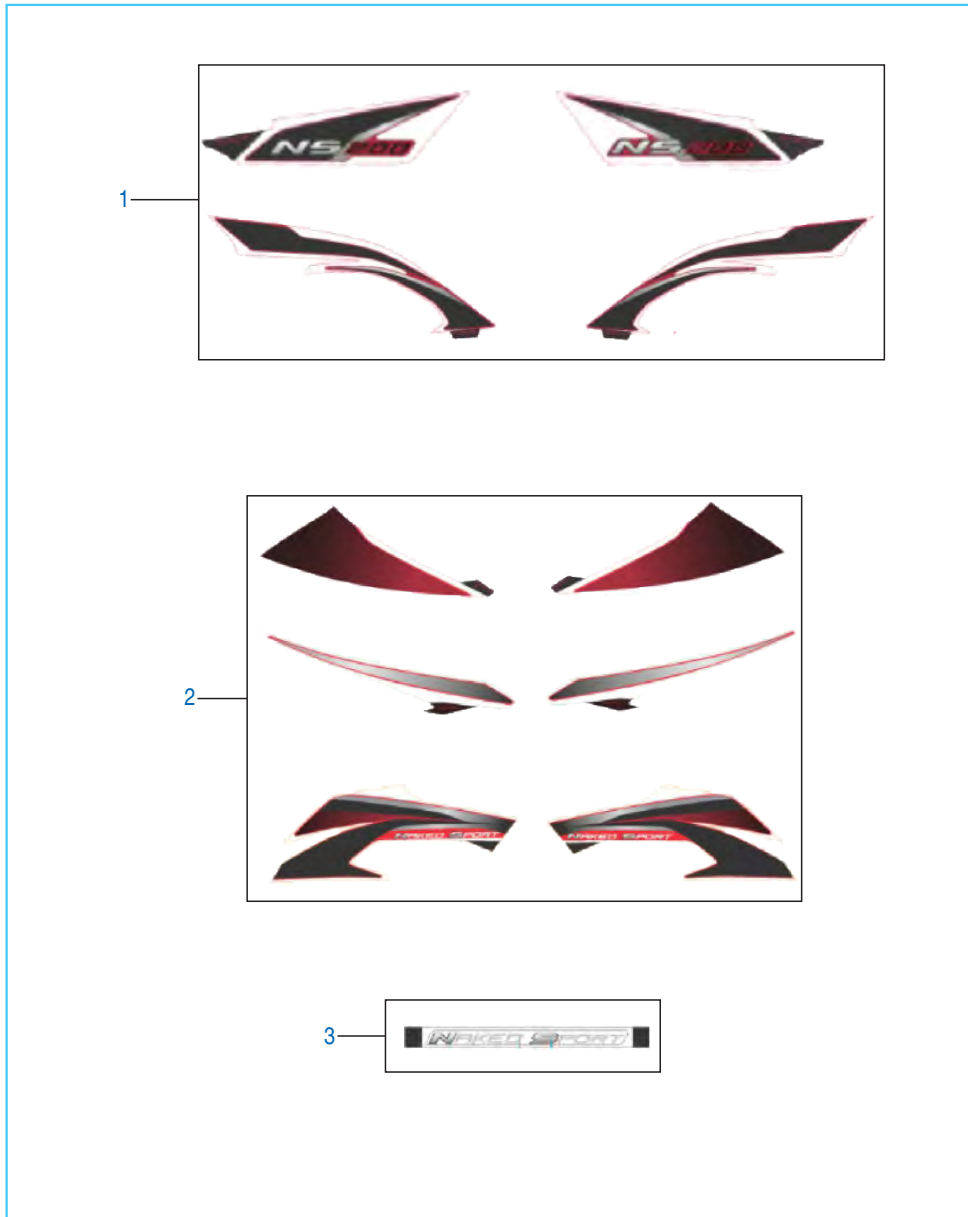
No.	Part No.	Description	Qty.		Remarks
			200 NS	200 AS	
1	56 JL22 X3	Tank Cover Top	1	-	common for all For Iran
	56 JL22 5Y	Tank Cover Top - Metallic White	1	-	
2	52 JL02 18	Tank Cover Side LH - Saffire Blue	1	-	
	56 JL20 X3	Tank Cover Side LH - Black	1	-	
	52 JL02 20	Tank Cover Side LH - White	1	-	
	52 JL02 16	Tank Cover Side LH - Red	1	-	
	52 JL02 19	Tank Cover Side RH - Saffire Blue	1	-	
3	56 JL21 X3	Tank Cover Side RH - Black	1	-	
	52 JL02 21	Tank Cover Side RH - White	1	-	
	52 JL02 17	Tank Cover Side RH - Red	1	-	
	52 JL01 96	Side Mask RH - Saffire Blue	1	-	
	52 JL01 92	Side Mask RH - Black	1	-	
4	52 JL01 98	Side Mask RH - White	1	-	
	52 JL01 94	Side Mask RH - Red	1	-	
	52 JL01 95	Side Mask LH - Saffire Blue	1	-	
	52 JL01 91	Side Mask LH - Black	1	-	
	52 JL01 97	Side Mask LH - White	1	-	
5	52 JL01 93	Side Mask LH - Red	1	-	
	52 JL01 89	Front Fender Blue	1	-	
	JL 7501 X3	Front Fender Black	1	-	
6	52 JL01 90	Front Fender White	1	-	
	52 JL01 88	Front Fender Red	1	-	
	56 JL10 5N	Seat Cowl Assy - Blue	1	-	
7	56 JL10 X3	Seat Cowl Assy - Black	1	-	
	56 JL10 5Y	Seat Cowl Assy - White	1	-	
	56 JL10 4R	Seat Cowl Assy - Red	1	-	
	52 JL00 54	Cover Side LH Assly	1	-	
8	52 JL00 55	Cover Side RH Assly	1	-	

Painted Parts and Decals



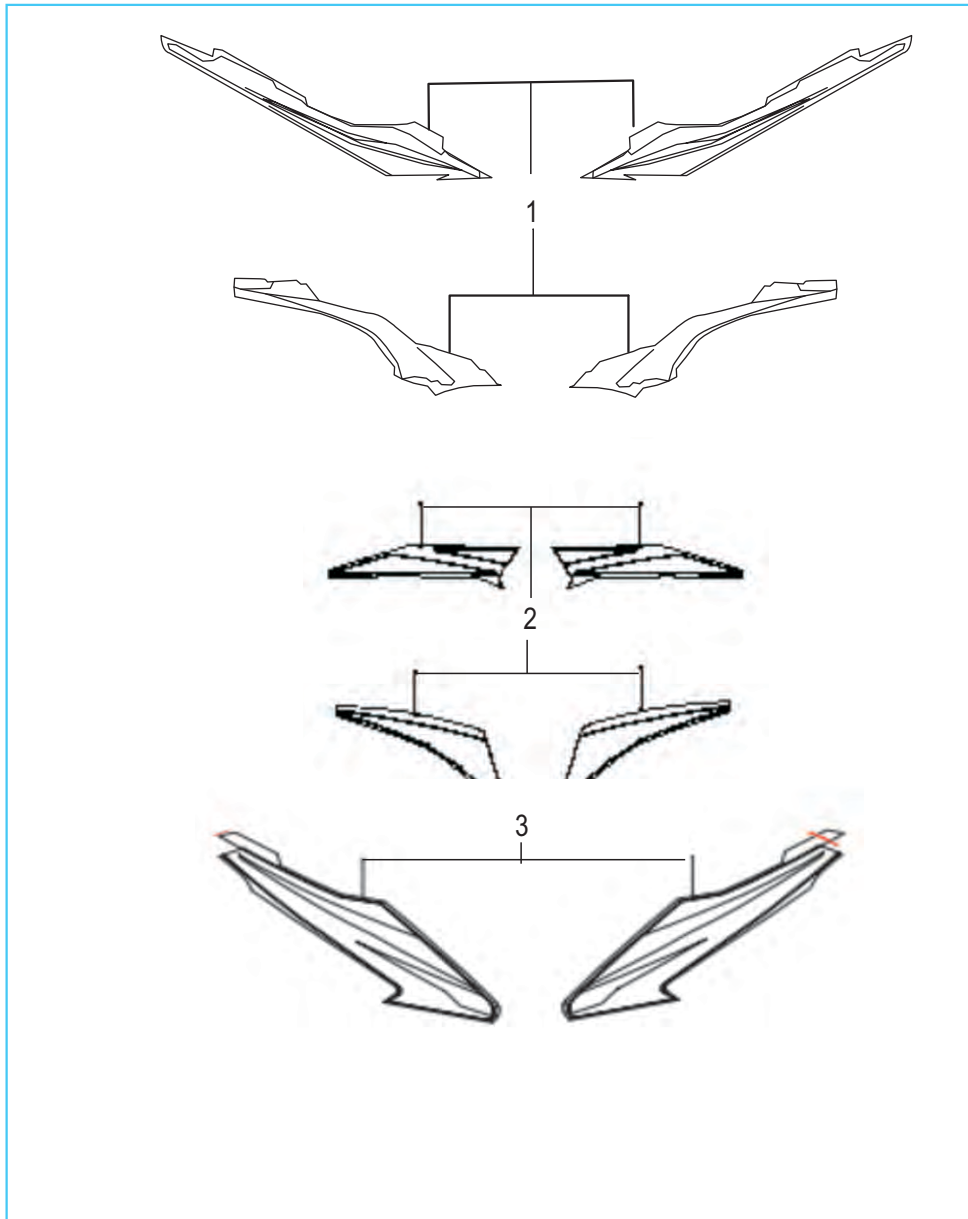
No.	Part No.	Description	Qty.		Remarks
			200 NS	200 AS	
10	JL 2330 04	3D Decal Tank RH	1	-	
10A	JL 2331 85	3D Decal Tank LH/RH	1	-	For Iran
10B	JL 2330 17	3D Tank Decal Set Rouser	1	-	For Argentina
11	JL 2330 03	3D Decal Tank LH	1	-	
	JL 2332 39	3D Decal Silver	2	-	w.e.f May'16
12	JL 2330 02	'B' Logo	1	-	
13	36 JL00 48	Fairing DCL Upper - Blue	1	-	
	36 JL00 26	Fairing DCL Upper - Black	1	-	
	36 JL00 63	Fairing DCL Upper - White	1	-	
	36 JL00 49	Fairing DCL Upper - Red	1	-	
14	JL 2330 05	Decal Side Cover 4 Valve	2	-	
15	JL 2330 06	Decal Seat Cowl 200 NS	2	-	

Painted Parts and Decals New Decal Scheme As Per Cir IB-166



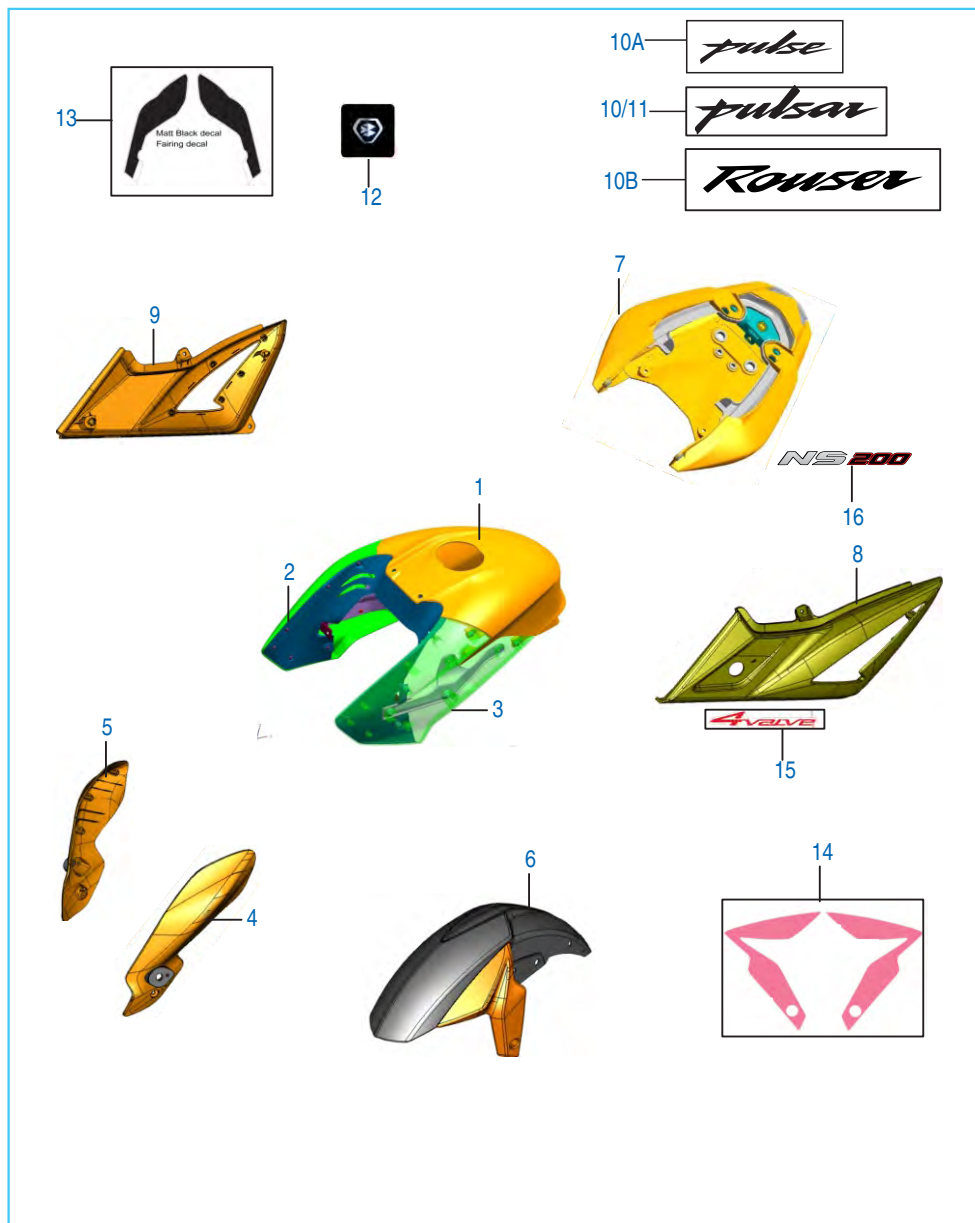
No.	Part No.	Description	Qty.		Remarks
			200 NS	200 AS	
1	36 JL00 78	Kit New Dcl Seat Cowl	1	-	Passion Red
	36 JL00 79	Kit New Dcl Seat Cowl	1	-	Metallic White
	36 JL00 80	Kit New Dcl Seat Cowl	1	-	Saffire Blue
2	36 JL00 81	Kit New Dcl Spoiler	1	-	Passion Red
	36 JL00 82	Kit New Dcl Spoiler	1	-	Metallic White
	36 JL00 83	Kit New Dcl Spoiler	1	-	Saffire Blue
	36 JL00 92	Kit New Dcl Spoiler	1	-	For Iran
3	36 JL00 84	Kit New Dcl Necked Sport	1	-	
4	36 JL00 53	Kit Dcl Tank Lower P- Red	1	-	N.I
	36 JL00 52	Kit Dcl Tank Lower S Blue	1	-	N.I
	36 JL00 68	Kit Dcl Tank Lower M White	1	-	N.I
	36 JL00 93	Kit Dcl Tank Lower PM White	1	-	For Iran

Painted Parts and Decals Old Decal Scheme Before Cir IB-166



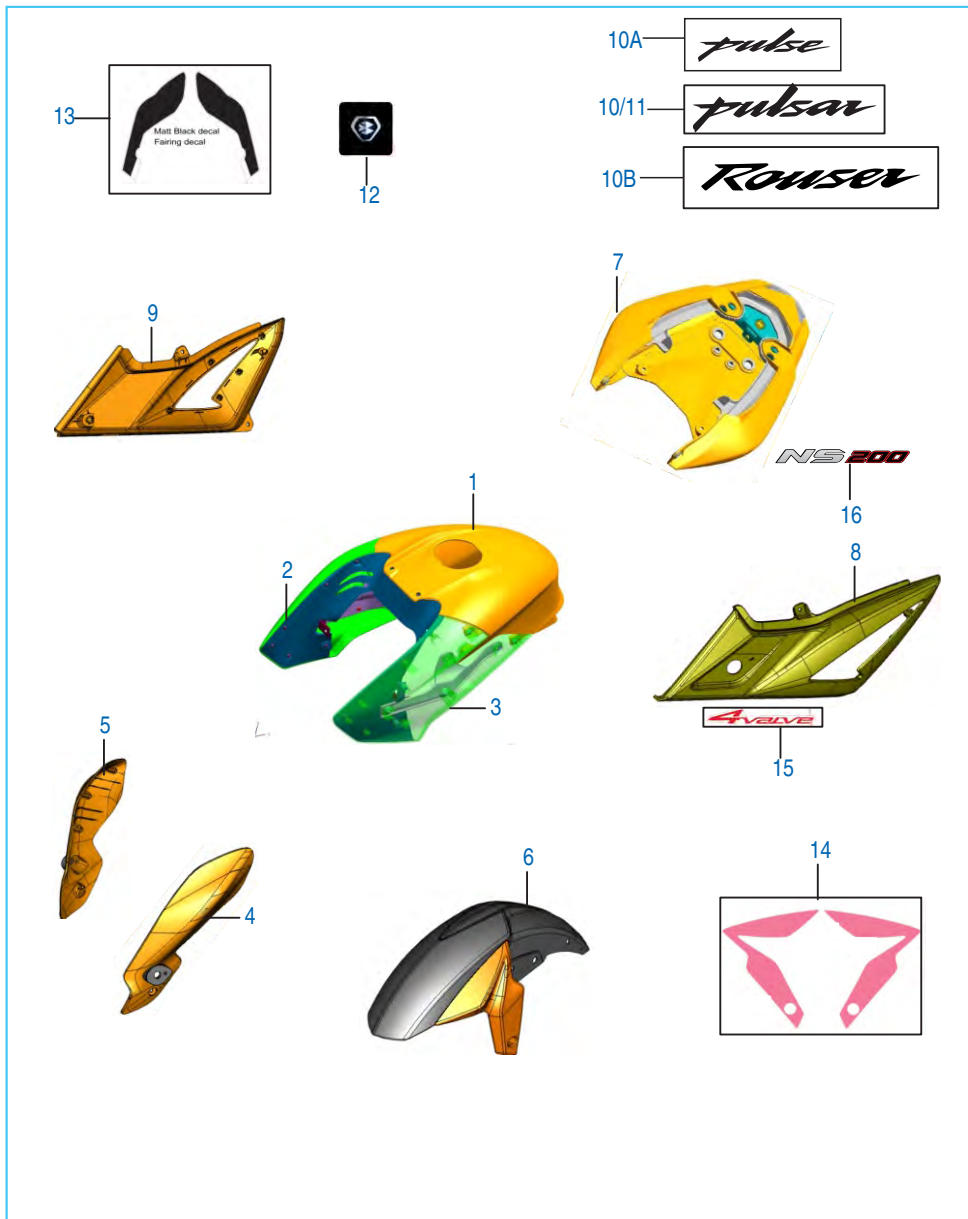
No.	Part No.	Description	Qty.		Remarks
			200 NS	200 AS	
1	36 JL00 58	Kit Dcl Seat Cowl	1	-	Passion Red
	36 JL00 66	Kit Dcl Seat Cowl	1	-	Metallic White
	36 JL00 57	Kit Dcl Seat Cowl	1	-	Saffire Blue
2	36 JL00 54	Kit Dcl Spoiler	1	-	Passion Red
	36 JL00 67	Kit Dcl Spoiler	1	-	Metallic White
	36 JL00 55	Kit Dcl Spoiler	1	-	Saffire Blue
3	36 JL00 61	Kit Dcl Fender	1	-	Passion Red
	36 JL00 65	Kit Dcl Fender	1	-	Metallic White
	36 JL00 60	Kit Dcl Fender	1	-	Saffire Blue
	36 JL00 64	Kit Dcl Fender	1	-	Ebony Black
4	36 JL00 53	Kit Dcl Tank Lower P- Red	1	-	N.I
	36 JL00 52	Kit Dcl Tank Lower S Blue	1	-	N.I
	36 JL00 68	Kit Dcl Tank Lower M White	1	-	N.I

Painted Parts and Decals (Old- up tp Oct. 2013_Refer Circular IB-82)



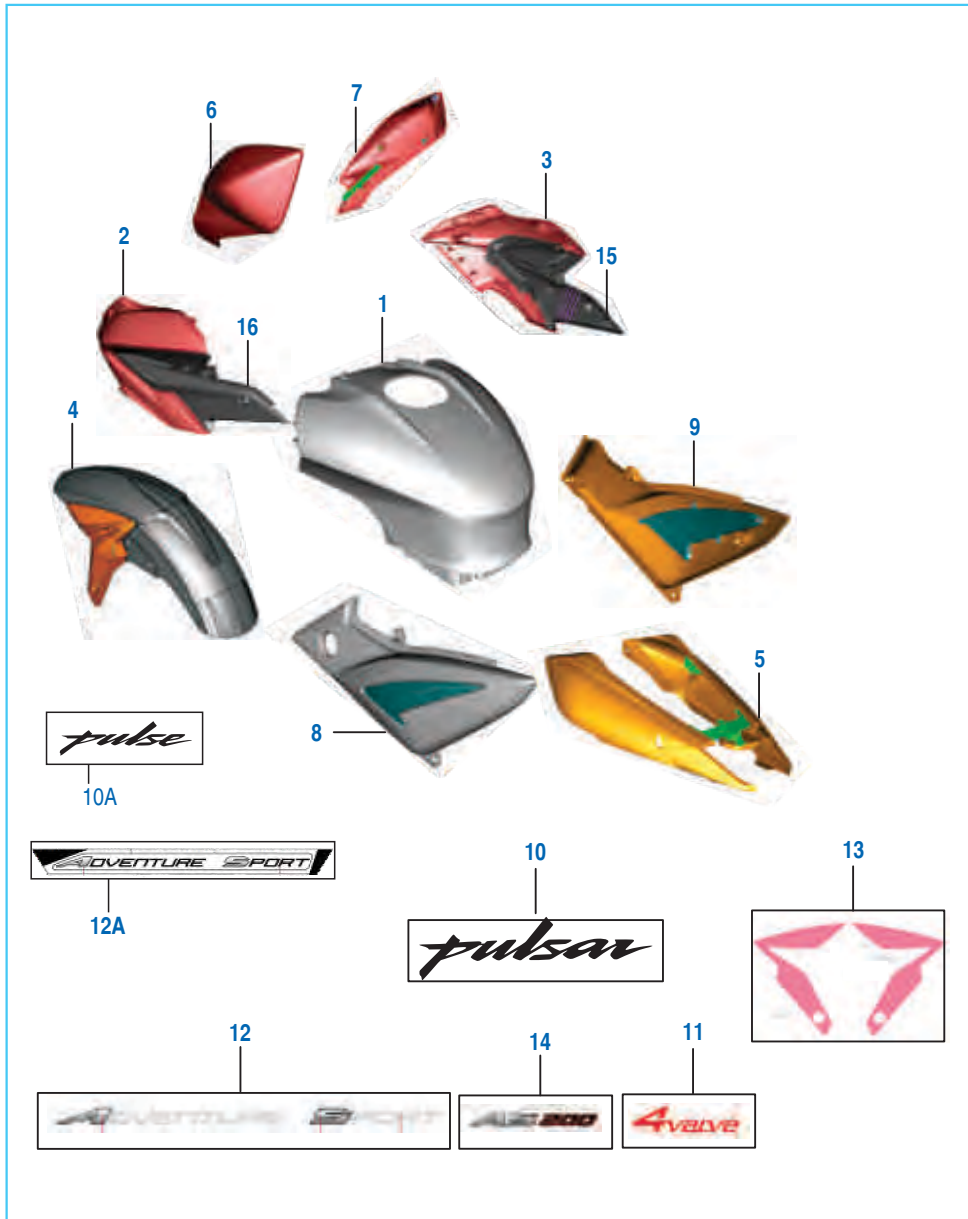
No.	Part No.	Description	Qty.		Remarks
			200 NS	200 AS	
1	JL 7401 5P	Tank Cover Top - Saffire Blue	1	-	
	JL 7401 5N	Tank Cover Top - Black	1	-	
	JL 7401 5Q	Tank Cover Top - Yellow	1	-	
2	JL 7401 5M	Tank Cover Top - Red	1	-	
	JL 7301 5P	Tank Cover Side LH - Saffire Blue	1	-	
	JL 1710 45	Tank Cover Side LH - Black	1	-	
3	JL 1710 45	Tank Cover Side LH - Yellow	1	-	
	JL 7301 5M	Tank Cover Side LH - Red	1	-	
	JL 7302 5P	Tank Cover Side RH - Saffire Blue	1	-	
4	JL 7302 5N	Tank Cover Side RH - Black	1	-	
	JL 1710 46	Tank Cover Side RH - Yellow	1	-	
	JL 1710 46	Tank Cover Side RH - Red	1	-	
5	JL 7602 5P	Side Mask RH - Saffire Blue	1	-	
	JL 7602 5N	Side Mask RH - Black	1	-	
	JL 1812 34	Side Mask RH - Yellow	1	-	
6	JL 7602 5M	Side Mask RH - Red	1	-	
	JL 7601 5P	Side Mask LH - Saffire Blue	1	-	
	JL 7601 5N	Side Mask LH - Black	1	-	
7	JL 7602 5Q	Side Mask LH - Yellow	1	-	
	JL 1812 33	Side Mask LH - Red	1	-	
	52 JL00 65	Front Fender - Blue	1	-	
7	52 JL00 66	Front Fender - Black	1	-	
	52 JL00 67	Front Fender - Yellow	1	-	
	52 JL00 59	Front Fender - Red	1	-	
	JL 7801 5P	Seat Cowl Assly - Blue	1	-	
7	JL 7801 5N	Seat Cowl Assly - Black	1	-	N.S
	JL 1810 05	Seat Cowl Assly - Yellow	1	-	
	JL 7801 5M	Seat Cowl Assly - Red	1	-	

Painted Parts and Decals (Old- up tp Oct. 2013_Refer Circular IB-82)



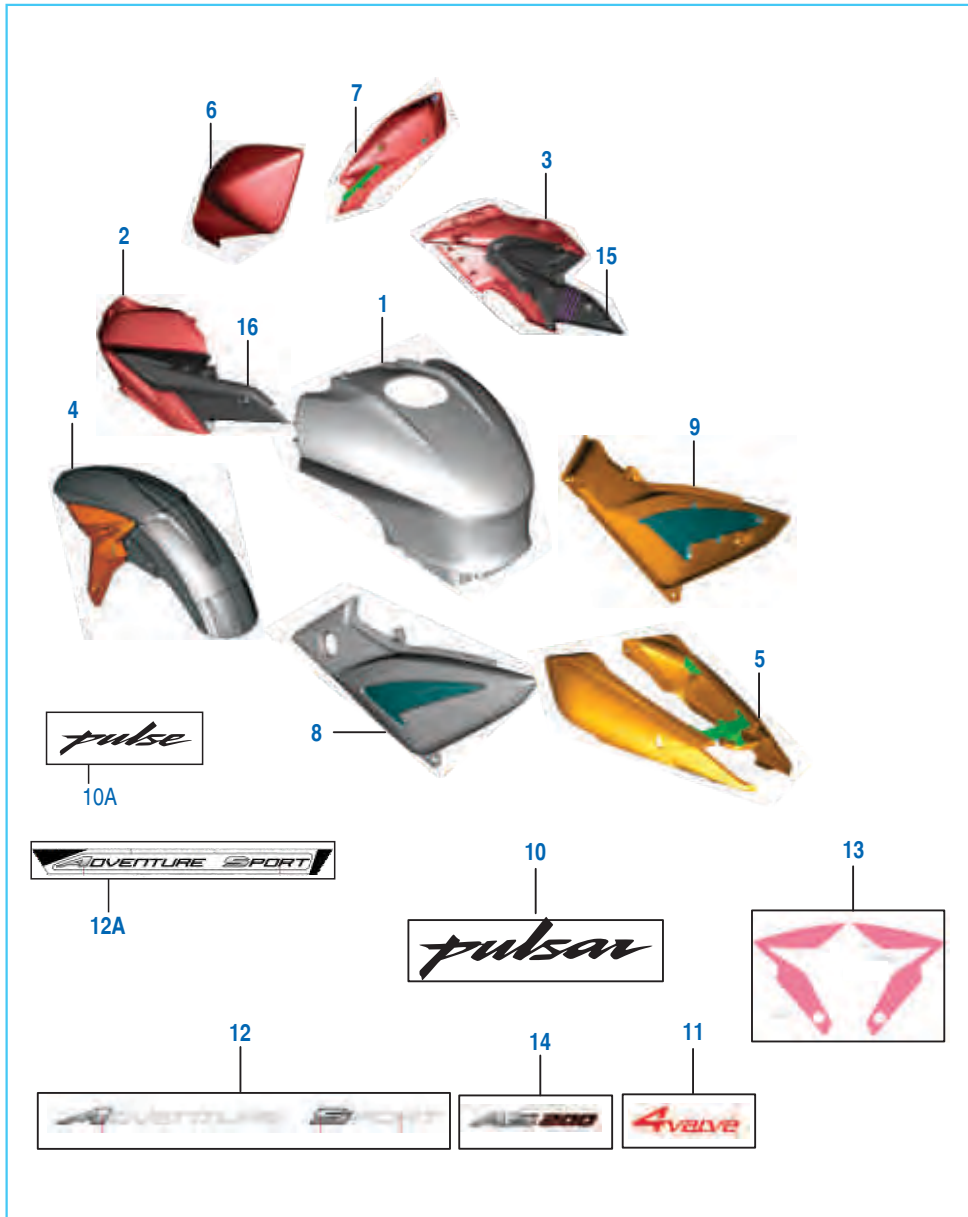
No.	Part No.	Description	Qty.		Remarks
			200 NS	200 AS	
8	52 JL00 54	Cover Side LH Assly	1	-	
9	52 JL00 55	Cover Side RH Assly	1	-	
10	JL 2330 04	3D Decal Tank RH	1	-	
10A	JL 2331 85	3D Decal Tank LH/RH	1	-	For Iran
10B	JL 2330 17	3D Tank Decal Set Rouser	1	-	For Argentina
11	JL 2330 03	3D Decal Tank LH	1	-	
	JL 2332 39	3D Decal Silver	2	-	w.e.f May'16
12	JL 2330 02	'B' Logo	1	-	
13	36 JL00 26	Fairing Decal	1	-	
14	36 JL00 27	Fender Decal - Red	1	-	
	36 JL00 28	Fender Decal - Blue	1	-	
	36 JL00 29	Fender Decal - Black	1	-	
	36 JL00 30	Fender Decal - Yellow	1	-	
15	JL 2330 05	Decal Side Cover '4 Valve'	2	-	
16	JL 2330 06	Decal Seat Cowl '200 NS'	2	-	

Painted Parts and Decals



No.	Part No.	Description	Qty.		Remarks
			200 NS	200 AS	
1	52 JL03 55	Tank Cover Top	-	1	Passion Red
	52 JL03 56	Tank Cover Top	-	1	Saffire Blue
	52 JL03 57	Tank Cover Top	-	1	Ebony Black
2	52 JL03 52	Side Fairing Front LH Red	-	1	
	52 JL03 53	Side Fairing Front LH Blue	-	1	
	52 JL03 54	Side Fairing Front LH Black	-	1	
3	52 JL03 49	Side Fairing Front RH Red	-	1	
	52 JL03 50	Side Fairing Front RH Blue	-	1	
	52 JL03 51	Side Fairing Front RH Black	-	1	
4	JL 7501 5L	Fender With Decal	-	1	Passion Red
	52 JL00 65	Fender With Decal	-	1	Saffire Blue
	JL 7501 X3	Fender With Decal	-	1	Ebony Black
5	52 JL03 55	Seat Cowl	-	1	Passion Red
	52 JL03 56	Seat Cowl	-	1	Saffire Blue
	52 JL03 57	Seat Cowl	-	1	Ebony Black
6	56 JL14 4R	Side Mask LH	-	1	Passion Red
	56 JL14 5N	Side Mask LH	-	1	Saffire Blue
	56 JL14 X3	Side Mask LH	-	1	Ebony Black
7	56 JL15 4R	Side Mask RH	-	1	Passion Red
	56 JL15 5N	Side Mask RH	-	1	Saffire Blue
	56 JL15 X3	Side Mask RH	-	1	Ebony Black
8	52 JL00 54	Cover Side LH Assly	-	1	
9	52 JL00 55	Cover Side RH Assly	-	1	
10	JL 2330 03	3D Decal Tank	-	2	
10A	JL 2331 85	3D Decal Tank	-	2	For Iran
11	JL 2330 05	Decal Side Cover 4 Valve	-	2	
12	JL 2331 53	Decal Adventure	-	2	
12A	JL 2331 90	Decal Adventure	-	2	For Iran

Painted Parts and Decals



No.	Part No.	Description	Qty.		Remarks
			200 NS	200 AS	
13	36 JL00 28	Kit Decal Fender	-	1	Blue
	36 JL00 61	Kit Decal Fender	-	1	Red
	36 JL00 60	Kit Decal Fender	-	1	Black
	36 JL00 90	Kit Decal Fender	-	1	White For Iran
14	JL 2331 55	Seat Cowl Decal	-	2	
15	56 JL66 4X	Side Fairing RR RH	-	1	
16	56 JL67 4X	Side Fairing RR LH	-	1	

Exclusive Part List - Iran

Page no.	Fig. no.	Part No.	Description	Model
114	1	56JL225Y	Tank Cover Top - Metallic White	NS 200
116	10A	JL233185	3D Decal Tank LH/RH	NS 200
118	17	36JL0092	Kit New Dcl Spoiler	NS 200
118	19	36JL0093	Kit Dcl Tank Lower PM White	NS 200
126	10A	JL233185	3D Decal Tank	NS/AS 200
126	12A	JL233190	Decal Adventure	AS 200
128	13	36JL0090	Kit Decal Fender	AS 200

Exclusive Part List - Argentina

Page no.	Fig. no.	Part No.	Description	Model
20	1	JL501014	Assembly Engine	
32	1	JL541224	Cover Magneto	
42	19	JL351032	Stator Assly Compl.	
44	14	JL402002	Regulator Assly	
74	20	JL401405	Switch Control RH	
108	1	JL402210	Harness Wiring	
116	10B	JL233017	3D Tank Decal Set Rouser	

Kit List

Sr No	Kit Part No.	Kit Description	Consisting of Following Parts		
			Part No.	Description	Qty/Kit
1.	36JL0009	Kit Chain Sprocket-P200	DV101048	Sprocket Output (14T)	1
			JL141000	Chain	1
			JL131228	Sprocket 39T	1
2.	36JL0011	Kit Valve Repaire-P200	39201719	Seal - Oil	1
			JF511215	Seat Valve Spring	1
			JF511217	Valve Spring	1
			JF511214	Retainer Valve Spring	1
			DG101029	Collet	2
3.	36JL0012	Kit Tank Damper-P200	JL171028	Damper Tank Cover Fr LH	1
			JL171029	Damper Tank Cover Fr RH	1
			JL171030	Damper Tank Cover Center LH	1
			JL171031	Damper Tank Cover Center RH	1
			JL171032	Damper Tank Cover Rear	1
			JL171038	Beading Tank LH	1
4.	36JL0013	Kit Seat Damper-P200	JL191007	Damper For Seat	6
			DK211007	Damper Seat Front	1
5.	36JL0014	Kit Engine Gasket-P200	JL541207	Gasket Clutch Cover	1
			JL541208	Gasket Magneto Cover	1
			JL521002	Gasket Cylinder Block	1
			JL511022	Gasket Cylinder Head	1
			JG541041	Gasket Crankcase	1
			CS101128	Gasket	1
			JL511001	Gasket Head Cover(rubber)	1
			JG591070	Gasket Exhaust	1
6.	36JL0003	Kit Assly C'case LH-P200	JL541009	Crankcase LH Black	1
			JC101077	Plug Taper	2
			JG541021	Oil Nozzle	1
			JG541015	Needle Bearing HK 1514 RS	1
			39256220	Bearing - Needle Roller	1
			JG541020	Jet Oil Crankcase RH	1

Kit List

Sr No	Kit Part No.	Kit Description	Consisting of Following Parts		
			Part No.	Description	Qty/Kit
7.	36JL0004	Assly C' Case RH-P200	JL541010	Crankcase RH Black	1
			BA102003	Plug - Oil Hole	3
			39256220	Bearing - Needle Roller	1
			JL541008	Pipe Breather Crankcase	1
8.	36JL0007	Block & Piston-P200	JL521200	Piston Assly Compl	1
			JL521004	Cylinder Block With Nipple	1
9.	36JL0010	Assly Cyl Head-P200	JL511019	Cylinder Head	1
			39128321	Ring - O	1
			JG511046	Stud (M8*1.25)	2
10.	36JL0001	Chain Guide-P200	JL531004	Guide Chain (Slack Side)	1
			JL531005	Guide Chain (Tight Side)	1
11.	36JL0002	Asly Cl Cover-P200	JL541206	Clutch Cover P2011	1
			JC101077	Plug Taper	1
			JL541218	Jet Oil Cover Clutch	1
			JG541021	Oil Nozzle	2
			39199020	Bearing - Needle	1
12.	36JU0001	Piston Ring-P200	JU521206	Ring Piston Top	1
			JU521207	Ring Piston Second	1
			JU521208	Ring Piston Oil	1
13.	36JU0002	Friction Plate-P200	JG551448	Friction Disk A	5
			JG551455	Disc C-Clutch Friction	1
14.	36JL0015	Pillion Hardware-P200	JD113019	Pin Foot Step	1
			30141031	Ring - O	1
			39104011	Washer - Plain	1
			39078408	Pin - Split	1
15.	36JL0016	S Cowl Grommet-P200	JL181219	Grommet -1 Seat Cowl	2
			JL181220	Grommet -2 Seat Cowl	2
			DL161015	Grommet	2

Kit List

Sr No	Kit Part No.	Kit Description	Consisting of Following Parts		
			Part No.	Description	Qty/Kit
16.	36JL0017	Wind Shield MtG-P200	01160508	Washer Lock	3
			JG181236	Well Nut - M5 X 16 L	2
			JG181235	Washer Special	2
			JL181247	Grommet Wind Screen Mounting	2
			JL171057	Damper -Tank Side cover	2
			DS141012	Grommet Side Cover Front	4
17.	36JL0019	Jet P200	-- ---- --	Jet Needle	1
			-- ---- --	Needle Jet	1
			-- ---- --	Je Holder	1
			-- ---- --	Main Jet	1
			DK121063	Pilot Jet	1
			18.	36JL0020	VC Screw P200
DH121130	O- Ring Screw VC	1			
DH121086	Spring Screw VC	1			
DH121087	Plain Washer	1			
DH121088	O- Ring Screw VC	1			
19	36JL0021	Idling Screw P200			
			DH121163	Plain Washer	1
			DH121077	Spring	1
			20.	36JL0022	Piston Valve P200
DK121055	Diaphragm	1			
DK121054	Spring	1			
21.	36JL0023	Gasket / 'O' ring P200	DK121058	O-Ring / Gasket Float Chamber	1
			DH121118	O-Ring - Drain Screw	1
			DH121088	O-Ring - VC Screw	1
			DH121130	O-Ring - VC Screw	1
22.	36JL0024	Jet Needle Hardware P200	DD121056	Holder For Jet Needle	1
			DD121050	Spring-Jet Needle	1
			DD121052	Washer-Jet Needle	1
			Dd121054	E-Clip	1

Kit List

Sr No	Kit Part No.	Kit Description	Consisting of Following Parts		
			Part No.	Description	Qty/Kit
23.	36JL0031	Kit Tank Mtg Hardware	JL171070	Tank Cover Grommet	4
			JL171071	Tank Coover Mtg Sleeve	4
			39023911	Washer - Plain	4
			LAC00034	Bolt M6 X 20	2
			24	36JL0021	Kit Idling Screw
DH121163	Plain Washer	1			
DH121077	Spring	1			
25	36JL0026	Kit Fairing Decal - Black	JI233000	Decal Fairing LH	1
			JI233001	Decal Fairing RH	1
26	36JL0049	Kit Dcl Fairing-P Red	JI233077	Fairing Upper Decal LH	1
			JI233078	Fairing Upper Decal RH	1
			JI233079	Fairing Lower Decal LH	1
			JI233080	Fairing Lower Decal RH	1
27	36JL0063	Kit Dcl Fairing-M White	JI233093	Fairing Upper Decal LH	1
			JI233094	Fairing Upper Decal RH	1
			JI233095	Fairing Lower Decal LH	1
			JI233096	Fairing Lower Decal RH	1
28	36JL0048	Kit Dcl Fairing-S Blue	JI233109	Fairing Upper Decal LH	1
			JI233110	Fairing Upper Decal RH	1
			JI233111	Fairing Lower Decal LH	1
			JI233112	Fairing Lower Decal RH	1
29	36JL0064	Kit Dcl Fender-E Black	JI233035	Fender Decal LH	1
			JI233036	Fender Decal RH	1
30	36JL0061	Kit Dcl Fender-P Red	JI233091	Decal Fender LH	1
			JI233092	Decal Fender RH	1
31	36JL0065	Kit Dcl Fender-M White	JI233107	Decal Fender LH	1
			JI233108	Decal Fender RH	1

Kit List

Sr No	Kit Part No.	Kit Description	Consisting of Following Parts		
			Part No.	Description	Qty/Kit
32	36JL0060	Kit Dcl Fender-S Blue	J1233123	Decal Fender LH	1
			J1233124	Decal Fender RH	1
33	36JL0058	Kit Dcl S Cowl-P Red	J1233087	Seat Cowl Upper Decal LH	1
			J1233088	Seat Cowl Upper Decal RH	1
			J1233089	Seat Cowl Lower Decal LH	1
			J1233090	Seat Cowl Lower Decal RH	1
34	36JL0066	Kit Dcl S Cowl-M White	J1233103	Seat Cowl Upper Decal LH	1
			J1233104	Seat Cowl Upper Decal RH	1
			J1233105	Seat Cowl Lower Decal LH	1
			J1233106	Seat Cowl Lower Decal RH	1
35	36JL0057	Kit Dcl S Cowl-S Blue	J1233119	Seat Cowl Upper Decal LH	1
			J1233120	Seat Cowl Upper Decal RH	1
			J1233121	Seat Cowl Lower Decal LH	1
			J1233122	Seat Cowl Lower Decal RH	1
36	36JL0054	Kit Dcl Spoiler-P Red	J1233083	Spoiler Upper Decal LH	1
			J1233084	Spoiler Upper Decal RH	1
			J1233085	Spoiler Lower Decal LH	1
			J1233086	Spoiler Lower Decal RH	1
37	36JL0067	Kit Dcl Spoiler-M White	J1233099	Spoiler Upper Decal LH	1
			J1233100	Spoiler Upper Decal RH	1
			J1233101	Spoiler Lower Decal LH	1
			J1233102	Spoiler Lower Decal RH	1
38	36JL0055	Kit Dcl Spoiler-S Blue	J1233115	Spoiler Upper Decal LH	1
			J1233116	Spoiler Upper Decal RH	1
			J1233117	Spoiler Lower Decal LH	1
			J1233118	Spoiler Lower Decal RH	1
39	36JL0053	Kit Dcl Tank Lower-P Red	J1233081	Tank Lower Decal LH	1
			J1233082	Tank Lower Decal RH	1

Kit List

Sr No	Kit Part No.	Kit Description	Consisting of Following Parts		
			Part No.	Description	Qty/Kit
40	36JL0068	Kit Dcl Tank Lower-M White	J1233097	Tank Lower Decal LH	1
			J1233098	Tank Lower Decal RH	1
41	36JL0052	Kit Dcl Tank Lower-S Blue	J1233113	Tank Lower Decal LH	1
			J1233114	Tank Lower Decal RH	1
42	36JL0078	Kit New Dcl S Cowl - P Red	J1233181	Seat Cowl Dcl Upper LH	1
			J1233182	Seat Cowl Dcl Upper RH	1
			J1233183	Seat Cowl Dcl Lower LH	1
			J1233184	Seat Cowl Dcl Lower RH	1
43	36JL0079	Kit New Dcl S Cowl - M White	J1233167	Seat Cowl Dcl Upper LH	1
			J1233168	Seat Cowl Dcl Upper RH	1
			J1233169	Seat Cowl Dcl Lower LH	1
			J1233170	Seat Cowl Dcl Lower RH	1
44	36JL0080	Kit New Dcl S Cowl - S Blue	J1233171	Seat Cowl Dcl Upper LH	1
			J1233172	Seat Cowl Dcl Upper RH	1
			J1233173	Seat Cowl Dcl Lower LH	1
			J1233174	Seat Cowl Dcl Lower RH	1
44	36JL0081	Kit New Dcl Spoiler - P Red	J1233083	Spoiler Dcl Upper LH	1
			J1233084	Spoiler Dcl Upper RH	1
			J1233175	Spoiler Dcl Lower LH	1
			J1233176	Spoiler Dcl Lower RH	1
45	36JL0082	Kit New Dcl Spoiler - M White	J1233099	Spoiler Dcl Upper LH	1
			J1233100	Spoiler Dcl Upper RH	1
			J1233177	Spoiler Dcl Lower LH	1
			J1233178	Spoiler Dcl Lower RH	1
46	36JL0083	Kit New Dcl Spoiler -S Blue	J1233115	Spoiler Dcl Upper LH	1
			J1233116	Spoiler Dcl Upper RH	1
			J1233179	Spoiler Dcl Lower LH	1
			J1233180	Spoiler Dcl Lower RH	1
47	36JL0084	Kit Dcl Necked Sport	J1233165	Necked Sport Dcl LH	1
			J1233166	Necked Sport Dcl RH	1

Amendment Sheet

Page no.	Fig. no.	Old part no.	New part no.	Description	Updation date	Remarks
54	24	N/A	36JL0041	KIT MAIN STEP	16.08.13	CORRECTION (MAIL DATED:16.08.13)
86	1	N/A	JL171081	TANK ASSLY	03.10.13	REF. CIRULAR IB-73
86	6	N/A	JL402602	SENSOR FUEL LEVEL	03.10.13	REF. CIRULAR IB-73
86	25	JL171096	30141039	SEALING RING	03.10.13	ALTERNATE
86	26	N/A	JL171073	DAMPER TANK	03.10.13	REF. CIRULAR IB-73
42	8	LDB00010	39216511	PLAIN WASHER	25.10.13	CORRECTION
42	9	LAD00055	DH101396	BOL HEX	25.10.13	CORRECTION
42	10	DK101595	JG351019	BODY COMP. ST. CLUTCH	25.10.13	CORRECTION
42	11	DK101163	JY551402	CLUTCH ONE WAY ASSLY.	25.10.13	CORRECTION
42	12	DK101596	N/A	SPRING ST. CLUTCH	25.10.13	DELETED (CORRECTION)
42	12	N/A	39084914	TOOTHED LOCK WASHER	25.10.13	NEW PART ADDED (CORRECTION)
42	13	DK101605	N/A	PLATE ROLLER CLUTCH	25.10.13	DELETED (CORRECTION)
42	13	N/A	DH101389	PRE-COATED SCREW	25.10.13	NEW PART ADDED (CORRECTION)
42	13	DK101605	N/A	PLATE ROLLER CLUTCH	25.10.13	DELETED (CORRECTION)
42	13	N/A	DH101389	PRE-COATED SCREW	25.10.13	NEW PART ADDED (CORRECTION)
42	14	DK101382	N/A	PRE-COATED SCREW	25.10.13	DELETED (CORRECTION)
42	15			SHIFTED TO SR. NO. 12		
42	16	59100002	N/A	SPRING DOWEL	25.10.13	DELETED (CORRECTION)
42	17			SHIFTED TO SR. NO. 14		
43	21		JL232808	BRACKET-RR NO. PLATE	12.03.14	ADDED NEW PART
90	1	JL402400	JL402405	SPEEDOMETER	19.03.14	DELETED (CORRECTION)
4	72	N/A	JL5110294	COVER THERMOSTAT	20.03.14	NEW PART ADDED (CORRECTION)
24	12	JG601011	JL601005	COVER WATER PUMP	27.03.14	DELETED (CORRECTION)
28	16	JG601400	JG601237	RADIATOR FAN	20.06.14	ALTERNATE ADDED
22	20	-----	JG541074	OIL NOZZLE	09.07.14	NEW PART ADDED (CORRECTION)
28	21	JL601209	JL601235	EXPANSION TANK ASSY	17.09.14	REF. CIR. IB-124
28	25	JL601214	-	HOSE-EXP. TANK TOP	17.09.14	REF. CIR. IB-124
88	2	JL171023	JL171099	BRKT SIDE CVR MTG. RH	17.09.14	REF. CIR. IB-124
50	1	JL111106	JL111201	FRAME ASSLY	30.12.14	REF. CIR. IB-140
66	9	-	JL131825	SPRING PAD	17.02.15	CORRECTION (MAIL DATED : 17.02.15)
52	17	DG171015	JL122026	SHAFT SWING ARM	18.08.15	REF. CIR. IB-173
52	18	JL111109	DT113848	CAP	18.08.15	REF. CIR. IB-173
28	32	-----	JL601234	RADIATOR CORE	24.08.15	ADDITION
53	3	JL122014	JL122013	SWING ARM	13.10.15	CHILD PART SERVICED
32	1	52JL0145	JL541243	MAGNETO CVR ASSLY	05.11.15	CONFIRMATION FROM BUYERS
32	2	JA541233	JL541245	CAP TCD FINDER	05.11.15	CONFIRMATION FROM BUYERS
32	10	JL541238	JL541223	DECAL BAJAJ LOGO	05.11.15	CONFIRMATION FROM BUYERS
108	1	JL402203	JL402229	HARNES WIRING	10.12.15	REF. CIR. IB-194

Amendment Sheet

Page no.	Fig. no.	Old part no.	New part no.	Description	Updation date	Remarks
108	1A	JL402220	JL402228	WIRING HARNES	21.01.16	ECR NO. N15JLELA0226
108	7	DT402006	DS201025	FLASHER	21.01.16	ECR NO. N15JLELA0226
18	1A	JL561401	JL561205	ASLY SHIFT LEVER- BALL JOINT	11.03.16	FROM DEC'15
18	2A	JL561404	JL561206	ASSLY LEVER CHANGE ARM	11.03.16	FROM DEC'15
18	4A	JL561405	52JF0062	TIE ROD WITH NUT ASSLY	11.03.16	FROM DEC'15
126	5	56JL224R	52JL0355	TANK CVR TOP PASSION RED	22.03.16	ALTERNATE
126	5	56JL225N	52JL0356	TANK CVR TOP SAFFIRE BLUE	22.03.16	ALTERNATE
126	5	56JL22X3	52JL0357	TANK CVR TOP EBONY BLACK	22.03.16	ALTERNATE
24	1A	JU531214	JL531204	BALANCER INTEGRAL	23.03.16	REF. CIR. IB-214
24	3A	JG531228	JL531203	SLEEVE BALANCER DRIVEN	23.03.16	REF. CIR. IB-214
100	10	EC401030	DK201043	BULB- H7 CATEGORY 12V 55W	01.04.16	BULB CHANGED FOR 200 AS
88	25	-----	JL181439	CVR TANK TOP INNER	14.04.16	ADDITION
32	1	JL541224	JL541244	MAGNETO COVER	20.05.16	UPDATION
39	11	56JL083G	-----	FLAP MOON LIGHT SILVER RH	20.05.16	DELETION
39	19	56JL073G	-----	FLAP MOON LIGHT SILVER LH	20.05.16	DELETION
6	4	DT511242	DT511261	ASSLY ROCKER ARM INTAKE	27.07.16	ALTERNATE
6	5	DT511243	DT511262	ASSLY ROCKER ARM EXHAUST	27.07.16	ALTERNATE
80	8	JL181226	JL181017	SHROUD ASSY LH	09.08.16	ALTERNATE
80	8	JL181451	JL181017	SHROUD ASSY LH	09.08.16	ALTERNATE
70	25	-----	DK151090	INSULATOR KIT	27.08.16	ADDITION
68	13	52JL0142	JL131930	DISC REAR	31.08.16	EC NO.-A16JLCHA1069
84	16	-----	JL111102	BRACKET SIDE COVER MTG	19.09.16	ADDITION
88	26	-----	JL181424	SUB ASSLY SIDE FAIRING LH	27.09.16	ADDITION
88	27	-----	JL181425	SUB ASSLY SIDE FAIRING RH	27.09.16	ADDITION

Parts Index

Part Number	Figure No.	Page No.	Part Number	Figure No.	Page No.
30101195	3	32	39104619	15	30
30191038	14	70	39105315	19	52
30191048	3	108	39105411	22	82
30201064	4	108	39105515	22	54
31101173	7	12	39106204	9	48
31161078	23	88	39118011	3	74
31201079	5	72	39122515	3	102
39019811	15	70	39128321	9	4
39021111	14	100	39150711	9	108
39021111	16	106	39153721	7A	30
39023911	20	38	39166511	15	24
39023911	3	86	39167204	8	42
39023911	23	106	39167204	5	80
39024211	12	56	39167304	10	4
39026512	10	96	39168904	5	58
39029115	3	92	39169801	24	70
39032615	4	56	39177304	6	22
39042215	11	58	39177802	5	88
39045411	11	52	39178001	16	36
39055302	12	52	39178101	6	86
39072211	4	86	39179104	3	96
39072211	7	90	39190204	9	18
39074601	21	20	39190701	15	104
39080808	6	18	39190701	13	106
39080808	16	70	39191304	11	46
39084001	13	62	39193120	6	12
39084914	11	42	39193120	3	20
39090012	12	62	39194104	4	58
39099906	3	26	39194304	21	82
39099906	11	30	39194304	2	86
39099906	4	32	39194304	25	106
39104119	10	30	39194404	5	28
39104319	8	22	39194404	13	44

Parts Index

Part Number	Figure No.	Page No.	Part Number	Figure No.	Page No.
39194404	5	50	39247504	6	72
39194404	14	108	39248415	7	82
39194604	8	56	39248415	13	104
39194604	5	58	39249211	12	40
39194604	18	82	39253515	21	100
39195604	3	48	39256220	20	20
39195604	10	108	39256220	13	22
39199020	2	30	39260120	11	20
39200511	18	20	39260220	8	20
39201719	1	6	39260607	3	16
39203804	17	68	39260607	16	24
39203804	7A	112	39260801	15	4
39206004	13	58	39262921	8	4
39213217	5	10	39266921	10	8
39214124	7	80	39269920	16	4
39214124	13	98	39270411	27	28
39214124	3	106	39270411	30	28
39215811	3	14	39272315	6	48
39216511	13	42	39272315	11	112
39216611	15	14	59040048	2	72
39218106	3	10	59040048	20	104
39218106	23	22	59200006	11	22
39220011	12	34	59200028	14	20
39220307	5	12	59200036	2	24
39220504	10	108	59210019	11	62
39224120	3	62	01100905	16	18
39224120	3	68	36Dh1902	4	64
39224220	4	68	36JE0022	22	36
39230404	18	40	36JG0011	7	50
39238104	3	82	36JG0018	21	70
39242704	10	74	36JL0001	15	8
39244011	12	6	36JL0003	1	22
39246904	6	58	36JL0004	2	20

Parts Index

Part Number	Figure No.	Page No.	Part Number	Figure No.	Page No.
36JL0005	3	34	36JL0054	2	120
36JL0007	1	10	36JL0055	2	120
36JL0009	2	68	36JL0057	1	120
36JL0010	4	4	36JL0058	1	120
36JL0011	10	6	36JL0060	3	120
36JL0012	5	82	36JL0060	13	128
36JL0013	2	46	36JL0061	3	120
36JL0014	17	22	36JL0061	13	128
36JL0015	9	54	36JL0063	13	116
36JL0016	11	86	36JL0064	3	120
36JL0017	19	98	36JL0065	3	120
36JL0019	5	36	36JL0066	1	120
36JL0020	6	36	36JL0067	2	120
36JL0021	7	36	36JL0068	4	118
36JL0022	8	36	36JL0068	4	120
36JL0023	10	36	36JL0078	1	118
36JL0024	9	36	36JL0079	1	118
36JL0025	1	58	36JL0080	1	118
36JL0026	13	116	36JL0081	2	118
36JL0026	13	124	36JL0082	2	118
36JL0027	14	124	36JL0083	2	118
36JL0028	14	124	36JL0084	3	118
36JL0028	13	128	36JL0090	13	128
36JL0029	14	124	36JL0092	2	118
36JL0030	14	124	36JL0093	4	118
36JI0039	6	20	36JU0001	2	10
36JI0041	4	54	36JU0002	6	34
36JL0048	13	116	36JU0036	1	12
36JL0049	13	116	52JF0062	4a	18
36JL0052	4	118	52JL0047	1	82
36JL0052	4	120	52JL0054	8	114
36JL0053	4	118	52JL0054	8	124
36JL0053	4	120	52JL0054	8	126

Parts Index

Part Number	Figure No.	Page No.	Part Number	Figure No.	Page No.
52JL0055	9	114	52JL0349	3	126
52JL0055	9	124	52JL0350	3	126
52JL0055	9	126			
52JL0059	6	122			
52JL0065	6	122			
52JL0065	4	126			
52JL0066	6	122			
52JL0067	6	122			
52JL0072	17	58			
52JL0073	1	30			
52JL0141	5	62			
52JL0142	16	68			
52JL0143	1	30			
52JL0158	14	54			
52JL0159	2	54			
52JL0188	6	114			
52JL0189	6	114			
52JL0190	6	114			
52JL0191	5	114			
52JL0192	4	114			
52JL0193	5	114			
52JL0194	4	114			
52JL0195	5	114			
52JL0196	4	114			
52JL0197	5	114			
52JL0198	4	114			
52JL0207	1	32			
52JL0216	2	114			
52JL0217	3	114			
52JL0218	2	114			
52JL0219	3	114			
52JL0220	2	114			
52JL0221	3	114			

Parts Index

Part Number	Figure No.	Page No.	Part Number	Figure No.	Page No.
DG161124	2	58	DJ151075	8	66
DG171015	17	52	DJ161229	11	84
DG171016	4	52	DJ161229	16	104
DG171018	5	52	DJ161229	14	106
DG171019	6	52	DJ181029	16	100
DG181008	8	74	DJ181064	15	100
DG181008	25	78	DJ181065	2	28
DH101048	9	24	DJ181065	22	28
DH101199	16	42	DJ181065	9	80
DH101235	14	14	DJ181065	9	80
DH101295	11	6	DJ191023	14	64
DH101381	3	22	DJ191029	2	64
DH101388	21	30	DJ191030	3	64
DH101389	12	42	DJ191031	5	64
DH101392	14	8	DJ191056	8	64
DH101396	14	42	DJ191057	1	64
DH101509	3	18	DJ191082	11	74
DH101607	5	40	DJ191083	12	74
DH101648	13	34	DJ201109	9	64
DH111013	9	44	DJ201173	9	86
DH111016	10	44	DJ201173	8	90
DH121063	14	36	DJ201246	13	74
DH121064	13	36	DJ221019	1	110
DH161146	16	58	DK101225	14	4
DH161158	7	86	DK101284	17	42
DH161158	9	90	DK101352	27	14
DH191006	9	72	DK101386	10	24
DH191013	4	72	DK111011	12	44
DH191017	16	74	DK111028	1	44
DH191037	20	98	DK121045	21	36
DJ101302	14	28	DK121047	15	36
DJ101312	30	14	DK141028	6A	82
DJ151074	7	66	DK151012	9	68
			DK151013	8	68

Parts Index

Part Number	Figure No.	Page No.	Part Number	Figure No.	Page No.
DK151015	14	68	DK181075	11	50
DK151026	2	60	DK201043	10	100
DK151031	2	70	DK201098	4	94
DK151036	1	68	DK211007	3	46
DK151045	20	70	DK221024	2	110
DK151063	7	70	DP101109	17	34
DK151069	11	64	DP101114	16	34
DK151069	4	70	DP101191	23	20
DK151073	17	70	DP101243	15	34
DK151074	18	70	DP161145	11	104
DK151081	20	68	DP161145	10	106
DK151082	21	68	DS101154	8	24
DK151083	1	70	DS101215	9	30
DK151085	13	70	DS121126	13	38
DK151088	11	70	DS141012	1	86
DK151089	12	70	DS141012	3	90
DK151090	25	70	DS161069	6	56
DK181006	4	76	DS161125	5	56
DK181007	5	76	DS161287	6	46
DK181009	14	76	DS201025	19	108
DK181010	14	76	DT113014	18	54
DK181012	14	76	DT113015	13	54
DK181013	14	76	DT113848	18	52
DK181015	11	76	DT131018	1	60
DK181017	9	76	DT131222	5	60
DK181018	7	76	DT131832	11A	56
DK181019	8	76	DT161005	15	74
DK181020	10	76	DT181000	5a	96
DK181021	6	76	DT181310	19	100
DK181022	16	76	DT181311	18	100
DK181023	17	76	DT181414	4a	96
DK181025	23	78	DT181415	6a	96
DK181028	24	78	DT232601	17	74

Parts Index

Part Number	Figure No.	Page No.	Part Number	Figure No.	Page No.
DT402006	7	108	JD561416	5	18
DT511242	4	6	JE541218	26	20
DT511243	5	6	JF401016	15	106
DT541019	5	30	JF511207	7	6
DT541212	1	30	JF511228	1	8
DT551400	1	34	JF531007	2	12
DT551401	8	34	JF531014	3	12
DT551402	5	34	JG122028	2	96
DT551403	10	34	JG131001	2	62
DT561206	10	18	JG131821	5	70
DU101225	7	8	JG161008	12	74
DV101048	29	14	JG161010	1	64
EC401030	21	98	JG171029	20	28
EC561023	2	16	JG181235	3	98
FD211006	5	46	JG181236	2	98
JA113403	5	48	JG181238	2	92
JA351627	2	42	JG181259	12	92
JA541048	15	22	JG191008	4	46
JA581314	11	36	JG232601	9	46
JB181223	10	80	JG232606	10	46
JB181223	5	92	JG351019	9	42
JC101034	9	8	JG351209	2	44
JC151019	3	94	JG351400	13	4
JC151020	8	62	JG401601	8	108
JC181022	21	76	JG511021	3	2
JC181023	20	76	JG511022	4	2
JC201046	10	62	JG511046	5	4
JD131811	6	62	JG511269	7	8
JD171801	17	100	JG511270	13	8
JD191006	8	46	JG531027	8	12
JD351207	5	44	JG531031	9	12
JD351800	17	36	JG531039	12	12
JD401007	4	104	JG531040	13	12

Parts Index

Part Number	Figure No.	Page No.	Part Number	Figure No.	Page No.
JG531041	11	12	JG551027	2	14
JG531207	7	24	JG551028	1	14
JG531211	3	24	JG551213	5	14
JG531212	4	24	JG551214	8	14
JG531215	5	24	JG551215	22	14
JG531220	2	8	JG551216	14	12
JG531228	3	24	JG551220	9	14
JG531229	4	24	JG551222	18	14
JG541015	12	22	JG551223	20	14
JG541041	16	22	JG551224	23	14
JG541043	7	42	JG551225	25	14
JG541044	5	22	JG551227	10	14
JG541045	22	20	JG551228	16	14
JG541046	4	20	JG551423	14	34
JG541058	18	22	JG551427	2	34
JG541059	10	20	JG551428	4	34
JG541063	4	22	JG551443	8	34
JG541068	1	4	JG551447	7	34
JG541074	20	22	JG551449	5	34
JG541230	7	30	JG551451	11	34
JG541231	16	30	JG561008	12	16
JG551000	24	14	JG561009	17	20
JG551010	28	14	JG561010	4	16
JG551013	4	14	JG561011	1	16
JG551015	5	30	JG561012	7	16
JG551017	4	30	JG561013	8	16
JG551020	6	14	JG561016	9	16
JG551020	19	14	JG561200	10	18
JG551021	21	14	JG561204	15	20
JG551021	26	14	JG561205	16	20
JG551022	11	14	JG561215	11	16
JG551025	13	14	JG561215	11	18
JG551026	12	14	JG561217	13	18

Parts Index

Part Number	Figure No.	Page No.	Part Number	Figure No.	Page No.
JG561218	12	18	JL111092	7	48
JG561222	5	16	JL111093	8	48
JG561225	10	16	JL111102	16	84
JG561226	19	20	JL111103	2	50
JG561232	12	18	JL111106	1	50
JG571014	24	20	JL111109	18	52
JG571016	25	20	JL111183	1	50
JG571024	14	22	JL111201	1	50
JG581014	28	28	JL113002	1	54
JG581014	8	50	JL113012	3	54
JG591038	3	40	JL113013	16	54
JG591039	6	40	JL113015	7	54
JG591053	13	40	JL113016	10	54
JG591070	10	40	JL113017	17	54
JG591088	15	40	JL113026	19	54
JG591096	7	40	JL113027	11	54
JG591097	8	40	JL113033	20	54
JG601005	6	24	JL113033	7	72
JG601012	13	24	JL113034	15	54
JG601013	11	24	JL113036	5	54
JG601209	8	28	JL113038	21	54
JG601211	18	28	JL113201	9	58
JG601230	29	28	JL113207	7	58
JG601234	7	28	JL113209	15	58
JG601235	17	28	JL113210	3	58
JG601237	16	28	JL113212	8	58
JG621412	5	42	JL113800	2	104
JG621413	4	42	JL113803	6	104
JG621417	6	42	JL113810	7	104
JL111054	4	48	JL113810	8	104
JL111078	6	50	JL113812	9	104
JL111081	3	50	JL113829	6	50
JL111082	4	50	JL113834	1	56

Parts Index

Part Number	Figure No.	Page No.	Part Number	Figure No.	Page No.
JL121001	15	76	JL131877	19	70
JL122001	8	52	JL131878	23	70
JL122002	7	52	JL131918	8	64
JL122003	10	52	JL151002	2	76
JL122004	13	52	JL151003	3	76
JL122006	1	52	JL151004	13	76
JL122008	14	52	JL151012	12	76
JL122009	9	52	JL151021	1	74
JL122013	3	52	JL151023	17	74
JL122026	17	52	JL151024	1	76
JL131000	7	62	JL151026	2	74
JL131001	14	62	JL151028	5	74
JL131004	3	60	JL151030	6	74
JL131004	1	62	JL151032	18	76
JL131005	5	62	JL151034	7	74
JL131203	13	68	JL151035	9	74
JL131209	4	60	JL151036	26	78
JL131211	15	68	JL151037	22	78
JL131216	5	68	JL151038	2A	74
JL131218	16	68	JL161001	1	72
JL131220	6	70	JL161003	14	74
JL131225	7	68	JL161006	8	72
JL131226	11	68	JL161008	15	74
JL131232	6	68	JL161010	3	72
JL131802	12	64	JL161015	11	74
JL131803	3	70	JL161200	2	94
JL131804	1	66	JL161201	1	94
JL131805	6	66	JL161206	1	94
JL131806	2	66	JL171018	20	82
JL131807	4	66	JL171019	19	82
JL131812	11	56	JL171020	23	82
JL131825	9	66	JL171022	2	84
JL131841	22	70	JL171024	5	84

Parts Index

Part Number	Figure No.	Page No.	Part Number	Figure No.	Page No.
JL171024	15	88	JL181017	8	80
JL171035	12	82	JL181019	1	80
JL171036	11	82	JL181025	9	92
JL171037	8	82	JL181203	6	98
JL171045	2	122	JL181205	1	96
JL171045	2	122	JL181209	22	106
JL171046	3	122	JL181214	10	86
JL171046	3	122	JL181214	4	90
JL171049	4	82	JL181218	11	108
JL171057	3	84	JL181221	24	106
JL171060	14	82	JL181224	15	52
JL171061	9	84	JL181225	16	52
JL171062	8	84	JL181232	6	80
JL171063	9	82	JL181233	28	98
JL171070	6	84	JL181233	5	122
JL171070	13	88	JL181234	27	98
JL171071	4	84	JL181234	4	122
JL171071	14	88	JL181235	19	76
JL171073	26	82	JL181235	17	98
JL171078	15	84	JL181236	14	98
JL171078	24	88	JL181237	16	98
JL171081	1	82	JL181241	4	92
JL171085	24	82	JL181245	11	100
JL171096	25	82	JL181247	5	98
JL171099	1	84	JL181249	15	98
JL171600	2	82	JL181253	13	96
JL171800	13	82	JL181256	3	28
JL171801	16	82	JL181257	23	98
JL171802	10	82	JL181263	26	98
JL171803	15	82	JL181264	20	108
JL181005	7	122	JL181283	22	98
JL181006	5	96	JL181288	1	90
JL181008	1	98	JL181402	7	56

Parts Index

Part Number	Figure No.	Page No.	Part Number	Figure No.	Page No.
JL181405	2	56	JL232808	10	104
JL181407	6	96	JL232810	1	106
JL181408	7	96	JL232811	8	106
JL181409	4	96	JL233002	12	116
JL181410	12	96	JL233002	12	124
JL181411	9	56	JL233003	11	116
JL181416	12	100	JL233003	11	124
JL181417	4	100	JL233003	10	126
JL181424	26	88	JL233004	10	116
JL181425	27	88	JL233004	10	124
JL181426	1	100	JL233005	14	116
JL181433	18	106	JL233005	15	124
JL181437	11	92	JL233005	11	126
JL181439	25	88	JL233006	15	116
JL181447	2	88	JL233006	16	124
JL181448	3	88	JL233015	9	32
JL181449	1	88	JL233017	10B	116
JL181450	4	88	JL233017	10B	124
JL181453	3	100	JL233153	12	126
JL181456	9	88	JL233155	14	128
JL181457	10	88	JL233185	10A	116
JL191001	1	46	JL233185	10A	124
JL191004	7	46	JL233185	10A	126
JL231201	1	112	JL233190	12A	126
JL231202	6	112	JL233239		116
JL231203	2	112	JL233239	10	126
JL231209	13	112	JL351009	10	42
JL231211	6	112	JL351032	19	42
JL231404	3	112	JL351038	19	42
JL231405	4	112	JL351200	3	44
JL231600	22	74	JL351201	7	44
JL231601	21	74	JL351202	8	44
JL232805	19	104	JL351230	8	44

Parts Index

Part Number	Figure No.	Page No.
JL351232	7	44
JL351241	3	44
JL351600	1	42
JL351800	7	22
JL401002	1	104
JL401002	12	106
JL401004	1	102
JL401006	2	102
JL401012	9	98
JL401017	9	100
JL401400	19	74
JL401401	20	74
JL401402	10	58
JL401403	18	74
JL401405	20	74
JL401406	5	72
JL401409	19	74
JL401410	20	74
JL401411	13	74
JL401602	8	108
JL401801	13	108
JL401803	12	108
JL402001	14	44
JL402002	14	44
JL402201	5	108
JL402202	6	108
JL402203	1	108
JL402208	17	108
JL402210	1	108
JL402220	1A	108
JL402228	1A	108
JL402229	1	108
JL402400	1	92

Part Number	Figure No.	Page No.
JL402403	8	92
JL402405	1	92
JL402600	6	82
JL402602	6	82
JL403000	2	108
JL403600	14	58
JL501003	1	20
JL501014	1	20
JL501040	1	20
JL511001	2	2
JL511002	1	2
JL511006	4	6
JL511007	5	6
JL511009	3	4
JL511010	2	6
JL511011	3	6
JL511016	3	36
JL511022	6	4
JL511029	11	4
JL511205	6	6
JL511219	7	4
JL511220	6	8
JL511221	5	8
JL511222	8	8
JL521002	4	10
JL531203	3a	24
JL531204	1a	24
JL541203	7	32
JL541207	12	30
JL541208	5	32
JL541210	13	30
JL541218	22	30
JL541220	1	32

Parts Index

Part Number	Figure No.	Page No.
JL541222	18	30
JL541223	10	32
JL541227	8	30
JL541230	19	30
JL541231	20	30
JL541237	26	20
JL541243	1	32
JL541244	1	32
JL541245	2	32
JL541246	13	30
JL561205	1a	18
JL561206	2a	18
JL561401	1	18
JL561404	2	18
JL561405	4	18
JL561407	7	18
JL561408	8	18
JL561409	14	18
JL561410	15	18
JL581004	16	38
JL581007	5	38
JL581009	8	38
JL581010	14	38
JL581015	11	38
JL581016	10	38
JL581018	7	38
JL581023	2	38
JL581024	6	38
JL581025	4	38
JL581027	4	36
JL581050	1	38
JL581201	1	36
JL581204	18	36

Part Number	Figure No.	Page No.
JL581205	19	36
JL581206	20	36
JL581300	2	36
JL591048	2	40
JL591052	1	40
JL591075	9	40
JL591086	16	40
JL591144	4	40
JL591148	17	40
JL591157	19	40
JL591165	8	40
JL601000	6	28
JL601005	12	24
JL601200	15	28
JL601210	1	28
JL601212	11	28
JL601214	25	28
JL601215	19	28
JL601216	31	28
JL601219	10	28
JL601220	9	28
JL601225	12a	4
JL601227	24	28
JL601228	12	28
JL601231	4	28
JL601234	32	28
JL601235	21	28
JL601237	12	4
JL73015M	2	122
JL73015P	2	122
JL73025N	3	122
JL73025P	3	122
JL74015M	1	122

Parts Index

Part Number	Figure No.	Page No.	Part Number	Figure No.	Page No.
JL74015N	1	122	JY181284	6	106
JL74015P	1	122	JY571030	14	22
JL74015Q	1	122	JZ113061	23	54
JL75015L	4	126	JZ401013	7	108
JL7501X3	6	114	KACa0616	10	56
JL7501X3	4	126	KACA0635	9	112
JL76015N	5	122	KACA0820	6	54
JL76015P	5	122	KACB0514	6	92
JL76025M	4	122	KACb0516	3	82
JL76025N	4	122	KACb0622	7	112
JL76025P	4	122	KACH0835	18	98
JL76025Q	5	122	KADA0510	11	40
JL78015M	7	122	KADA0512	14	84
JL78015N	7	122	KADA0512	17	88
JL78015P	7	122	KADA0630	19	38
JN351604	16	108	KADA0630	17	40
JU231205	12	112	KADA0630	16	88
JU231207	11	112	KADB0516	13	58
JU232800	17	104	KADB0516	10	84
JU232800	2	106	KADC0616	7	100
JU401802	15a	108	KADd0510	12	104
JU401803	15	108	KADD0610	11	106
JU531021	4	12	KADE0610	12	54
JU531213	1	24	KADE0614	5	86
JU531215	1	24	KADE0614	10	98
JU541005	13	20	KADE0620	11	46
JU551401	6	30	KADF0608	21	106
JU551402	10	34	KADf0614	5	90
JU551404	1	34	KADf0614	25	106
JU551406	9	34	KADF0616	23	28
JU571000	1	26	KADF0616	19	106
JW181236	3	80	KADF0622	11	46
JY151011	26	78	KADf0820		56

Parts Index

Part Number	Figure No.	Page No.	Part Number	Figure No.	Page No.
KADM0610	18	38	KCAA0504	3	92
KADP0516	27	20	KCGA0505	7	82
KADQ0606	17	24	KCGa0505	5	106
KADQ0620	11	8	KCGa1010	3	102
KADQ0625	14	40	KCGd0606	5	104
KADq0625	3	42	KCGd1010	3	102
KADQ0630	14	30	KDAA0408	6	88
KADQ0630	6	32	KDAa0510		56
KAEA0608	6	72	KDAa0510	10	92
KAEG0620	13	100	KDAA0611	11	98
KAEM0622	9	38	KDBA0512	8	88
KAEQ0620	10	4	KDBA0512	12	88
KAEQ0620	11	8	KDBA0512	7	98
KAEQ0620	14	24	KDBa0512	6	100
KAEQ0620	14	24	KDBa0613	8	100
KAEQ0630	14	30	KDBA0818	3	74
KAEQ0630	6	32	KDBB0512	18	88
KAEQ0640	21	22	KDBE0613	8	112
KBBA0512	3	56	KEAA1010	2	26
KBBA0514	3	104	KEAB1010	2	26
KBBA0514	4	106	KEBA3715	9	22
KBBG0612	19	22	KPBC6202	3	62
KBQA3506	17	38	KPBC6202	3	68
KBUA0516	12	98	KPBC6302	4	68
KBUA0612	4	80	LAA00019	10	68
KBUA0612	2	90	LAC00008	14	96
KBUa0616	29	98	LAC00016	8	54
KBUB0410	8	96	LAC00017	5	112
KBUB0512	2	80	LAC00019	2	52
KBUB0516	13	84	LAC00020	4	74
KBUc0625	7	106	LAC00022	12	84
			LAC00022	22	88
			LAC00024	6	16

