

Notice



All information contained in this manual is based on the latest product information at the time of publication. Bajaj Auto Limited accepts no liability for any inaccuracies or omissions in this publication, although every possible care has been taken to make it as complete and accurate as possible. All procedures and specifications subject to change without prior notice. The right is reserved to make such changes at any time without prior notice and without incurring an obligation to make such changes to product manufactured previously. Contact your authorized Bajaj Dealer for the latest information on product improvements incorporated after this manual was issued.

DOC. NO.: XXXXXXXX

REV. 03, AUG.16

Foreword

We have pleasure in presenting the Spare Parts Catalogue for 'Pulsar DTS-i 150 CC UG4' Motorcycle. This catalogue has been specially designed to assist you in selecting the correct parts for procurement to maintain 100% availability.

The Bajaj spares are subjected to the stringent quality control standards to ensure longer life of the vehicle. It is therefore necessary that only the Genuine Bajaj Spares are used.

In a continual effort to improve Performance and Efficiency of the vehicles, Specifications, Diagrams, Illustrations and Part Numbers can change without notice. Consequently, the description in this Spare Parts Catalogue cannot therefore be final and binding on us.

The modifications / alterations which are carried out after the issue of this catalogue, will be conveyed to you through our Service Circulars. You are requested to make necessary corrections in the Parts Catalogue as per the circulars so as to keep your catalogue up-to-date. This will ensure the appropriate and speedy delivery of the Spare Parts as the order placed will bear the latest part numbers.

In case, if you need any technical assistance contact the concerned Regional Office or write to us on the following address :

Bajaj Auto Limited
International Business
Akurdi, Pune 411 035 India
Phone : 020-27406557
Fax : 020-27407385
E-mail : spdexports@bajajauto.co.in

Instructions

1. How to Read the Catalogue : Open the catalogue and from the pictorial index locate the group in which the part you want to find is present. Turn over to the concerned page number (as given by pictorial index). Now find out the figure of the part you wish to order. Write down the part number against that particular figure number from the text.

In case, if you have the part number and you need the other details, the part index can be used. The part index (at the end of the catalogue) will give you the figure and page number of the part you wish to order.

2. How to Order Spare Parts : The part number and the description of the part required should be invariably mentioned in the order as per the catalogue text.

The latest part number as conveyed through our service circulars should only appear on the order. In case of ordering painted components, colour shade of the components should be mentioned.

The quantity shown against the part number is the quantity per vehicle for that group so that particular quantity should be multiplied by the number of sets required.

3. Part Number System : We have used 8 digit system for part numbers. The model or hardware item is indicated by first two digits or alphanumeric, the next two or four digits indicate main group and the last four or two digits indicate serial number in main group or serial number or subgroup of fastener respectively. Thus the part numbers will be indicated by 2-2-4 or 2-4-2 digit system. Understanding this system will enable you to identify the spare parts easily.

4. Abbreviations : The following abbreviations are used in this catalogue.

Assly	Assembly	V	Volts
N.I.	Not illustrated	W	Watts
C'case	Crankcase	Accl.	Accelerator
Cyl	Cylinder	Comp.	Complete
O/s	Over size	Fr.	Front
Rr.	Rear	Std.	Standard
L	Length	A/t.	Alternate
R.H.	Right hand	L.H.	Left hand
Hex.	Hexagonal	AR	As required

Index

Plate No.	Description	Page No.
1	Cover Cylinder Head	2
2	Cylinder Head	4
3	Valve	6
4	Camshaft / Tensioner	8
5	Cylinder & Piston	10
6	Crankshaft	12
7	Balancer & Balancer Idler Gear	14
8	Transmission	16
9	Change Drum / Shaft Fork	18
10	Gear Change Mechanism	20
11	Engine Assly. & Crankcase RH	22
12	Crankcase LH	24
13	Cover RH	26
14	Cover Magneto	28
15	Clutch	30
16	Kick Starter Mechanism	32
17	Carburettor	34
18	Air Cleaner Complete	36
19	Silencer Assembly	38
20	Seat Assembly / Seat Lock	40
21	Oil Pump	42
22	Magneto, CDI & H.T. Coil	44
23	Starter Assembly (For Self Start)	46
24	Engine Mountings	48
25	Frame and Frame Fittings	50
26	Swing Arm / Rear Shock Absorber	52
27	Rider Foot Rest	54
28	Pillion Foot Rest / Holder	56
29	Mudguard - Front & Rear	58
30	Stand Assembly	60
31	Tube / Tyre / Rim	62

Index

Plate No.	Description	Page No.
32	Front Hub (For Drum Brake System)	64
33	FR. Master Cylinder (For Disc Brake)	66
34	Front Disc Brake	68
35	Rear Hub	70
36	Rear Brake Padal	72
37	Handle Bar	74
38	Front Fork	76
39	Painted Parts & Decals	78, 80
40	Cap Tank & Gauge Fuel	82
41	Fittings P. Tank, Side Cover & Cover Seat	84
42	Meter Assembly	86
43	Control Cables	88
44	Chain Case	90
45	Head Lamp & Fairing	92
46	Indicator Light Assembly	94
47	Tail Lamp Assly / FR & RR No. Plate	96
48	Electrical Equipments	98
49	Tool Kit	100
50	Accessories / Grab Handle	102

Pictorial Index

BAJAJ
Pulsar DTS-i 150

PLATE NO. : 1
COVER CYLINDER HEAD

PAGE NO.
1 & 2

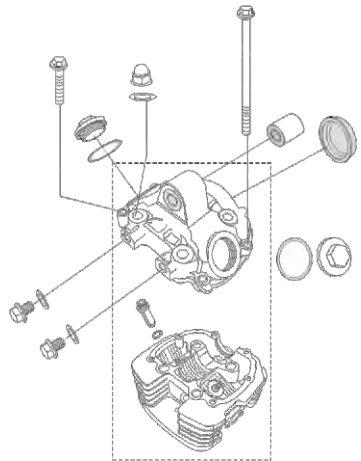


PLATE NO. : 2
CYLINDER HEAD

PAGE NO.
3 & 4

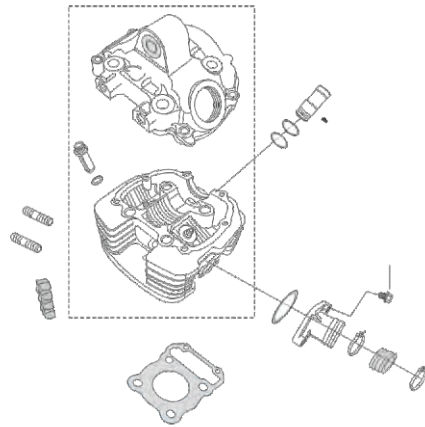


PLATE NO. : 3
VALVE

PAGE NO.
5 & 6

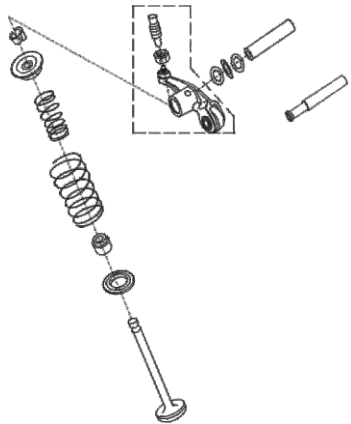
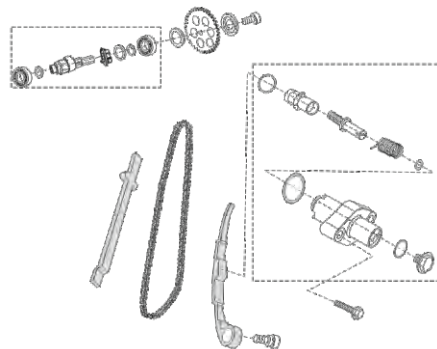


PLATE NO. : 4
CAMSHAFT / TENSIONER

PAGE NO.
7 & 8



Pictorial Index

BAJAJ
Pulsar DTS-i 150

PLATE NO. : 5
CYLINDER & PISTON

PAGE NO.
9 & 10

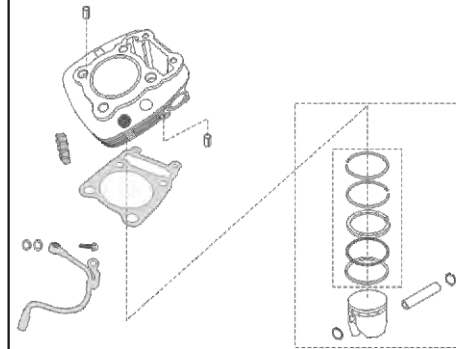


PLATE NO. : 6
CRANKSHAFT

PAGE NO.
11 & 12

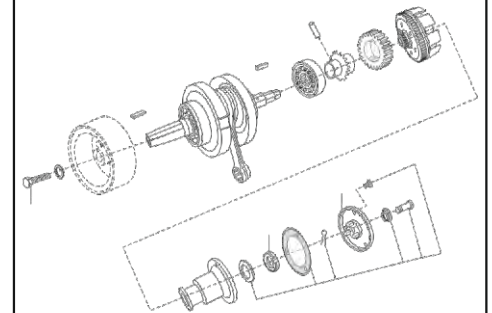


PLATE NO. : 7
Balancer & Balancer Idler Gear

PAGE NO.
13 & 14

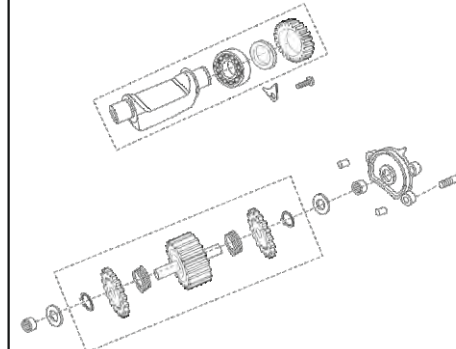
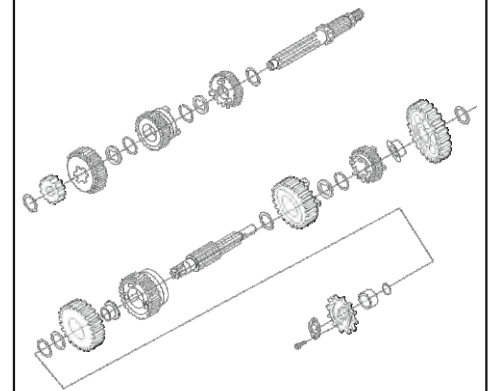


PLATE NO. : 8
Transmission

PAGE NO.
15 & 16



Pictorial Index

PLATE NO. : 9
Change Drum / Shaft Fork

PAGE NO.
17 & 18

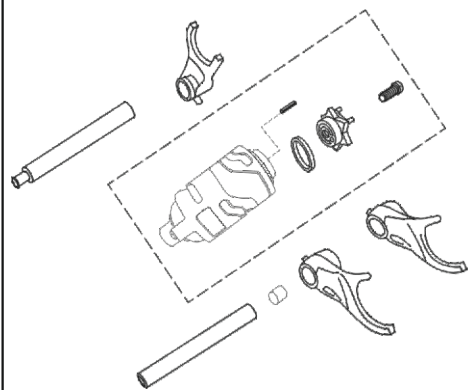


PLATE NO. : 10
Gear Change Mechanism

PAGE NO.
19 & 20

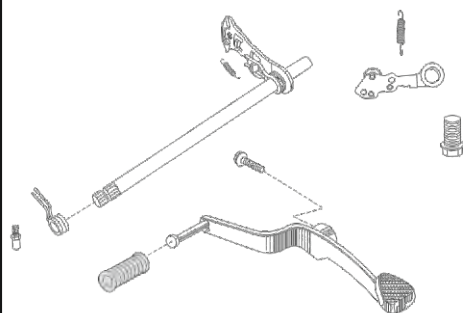


PLATE NO. : 11
Engine Assly. & Crankcase RH

PAGE NO.
21 & 22

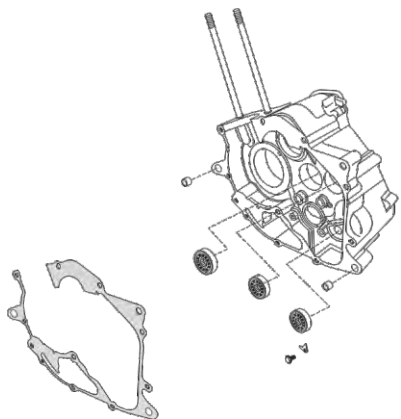
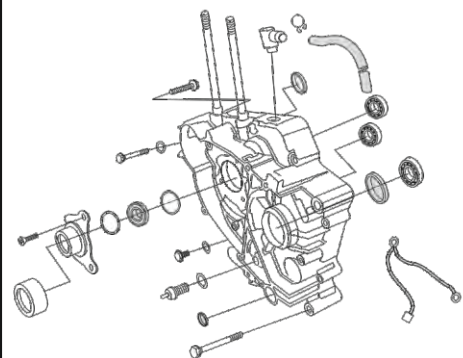


PLATE NO. : 12
Crankcase LH

PAGE NO.
23 & 24



Pictorial Index

PLATE NO. : 13
Cover RH

PAGE NO.
25 & 26

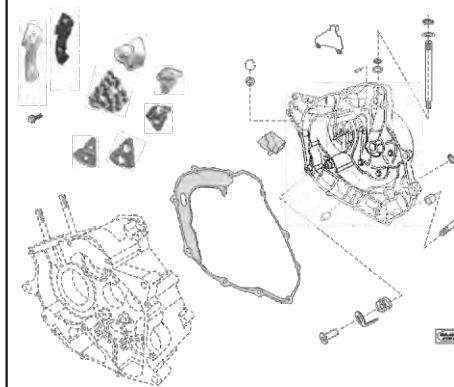


PLATE NO. : 14
Cover Magneto

PAGE NO.
27 & 28

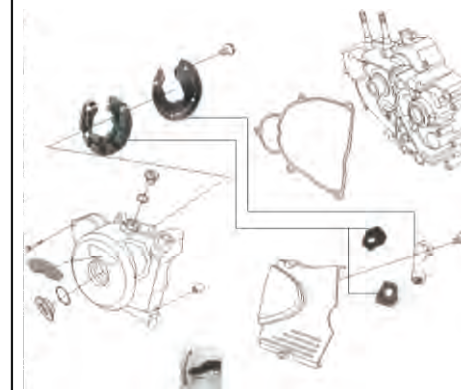


PLATE NO. : 15
Clutch

PAGE NO.
29 & 30

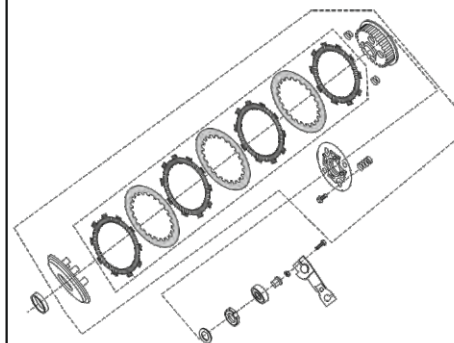
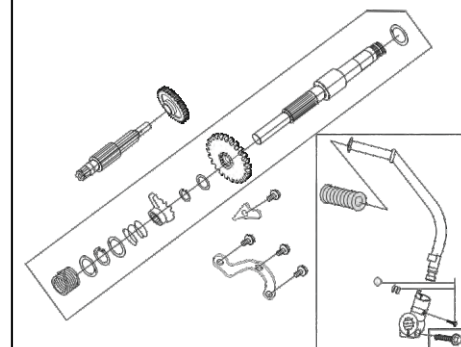


PLATE NO. : 16
Kick Starter Mechanism

PAGE NO.
31 & 32



Pictorial Index

PLATE NO. : 17
Carburettor

PAGE NO.
33 & 34

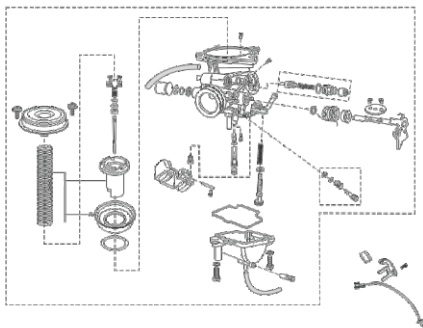


PLATE NO. : 18
Air Cleaner Complete

PAGE NO.
35 & 36

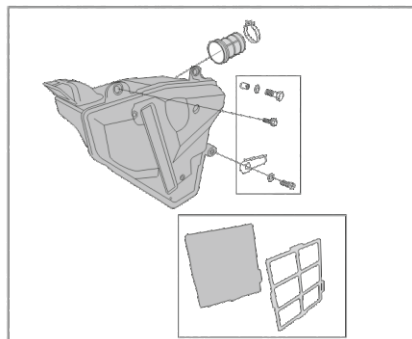


PLATE NO. : 19
Silencer Assembly

PAGE NO.
37 & 38

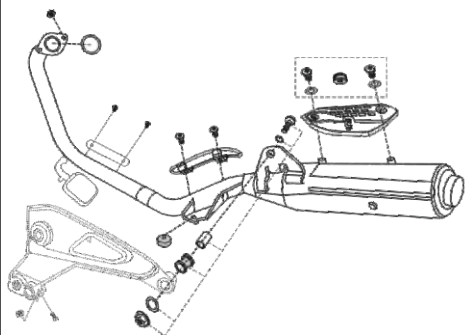
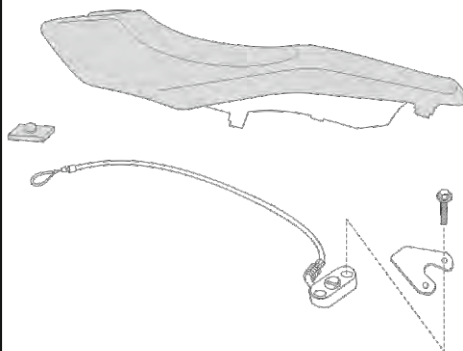


PLATE NO. : 20
Seat Assembly / Seat Lock

PAGE NO.
39 & 40



Pictorial Index

PLATE NO. : 21
Oil Pump

PAGE NO.
41 & 42

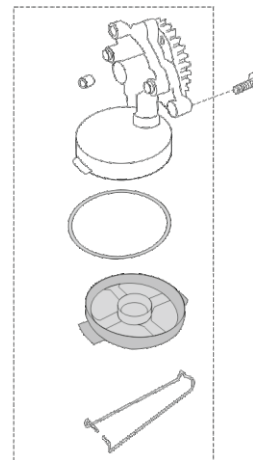


PLATE NO. : 22
Magneto, CDI & H.T. Coil

PAGE NO.
43 & 44

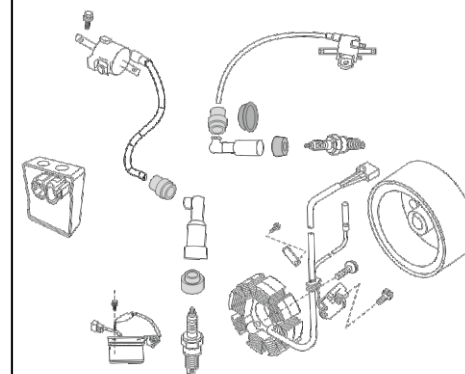


PLATE NO. : 23
Starter Assembly (For Self Start)

PAGE NO.
45 & 46

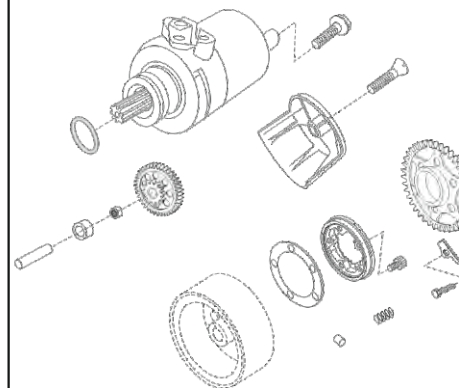
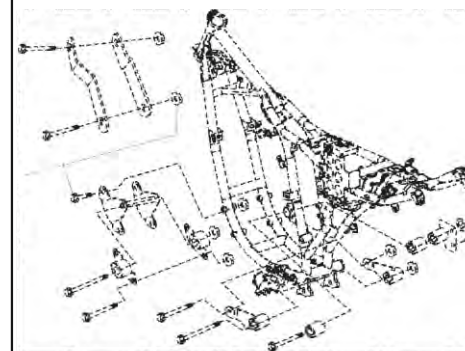


PLATE NO. : 24
Engine Mountings

PAGE NO.
47 & 48



Pictorial Index

PLATE NO. : 25
Frame and Frame Fittings

PAGE NO.
49 & 50

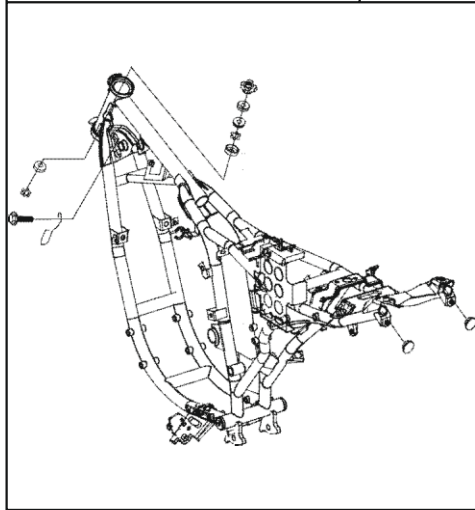


PLATE NO. : 26
Swing Arm / Rear Shock Absorber

PAGE NO.
51 & 52

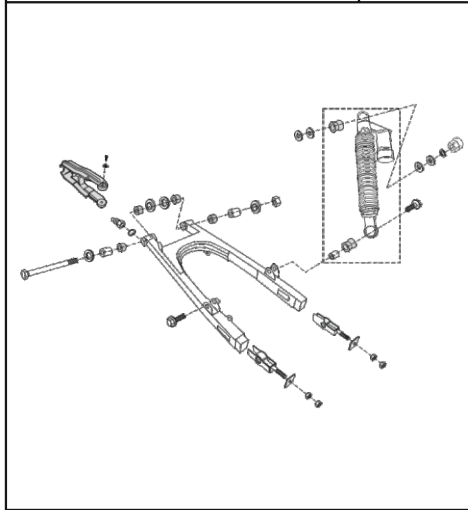


PLATE NO. : 27
Rider Foot Rest

PAGE NO.
53 & 54

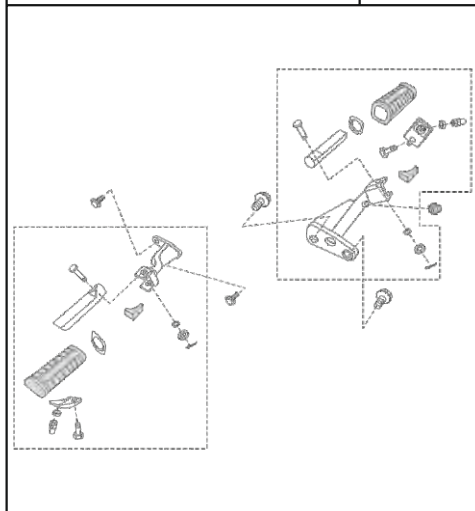
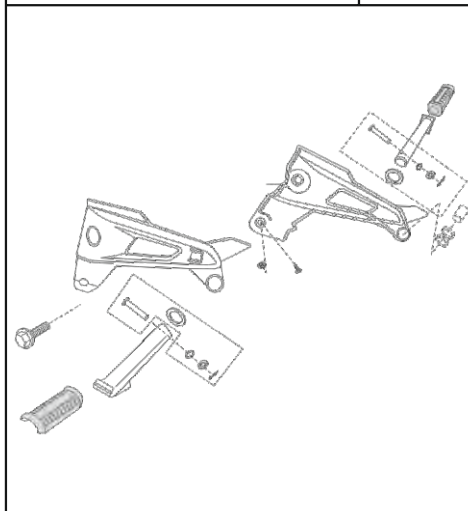


PLATE NO. : 28
Pillion Foot Rest / Holder

PAGE NO.
55 & 56



Pictorial Index

PLATE NO. : 29
MUDGUARD FRONT & REAR

PAGE NO.
57 & 58

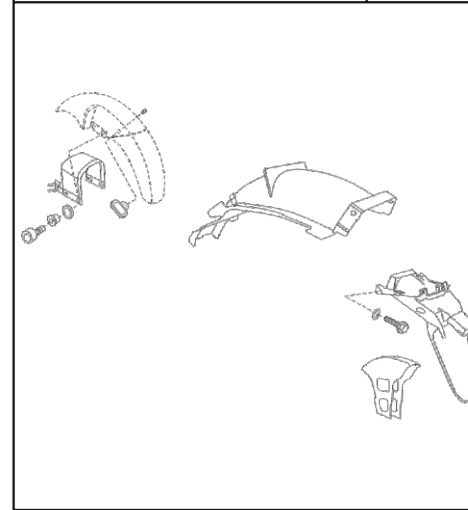


PLATE NO. : 30
Stand Assembly

PAGE NO.
59 & 60

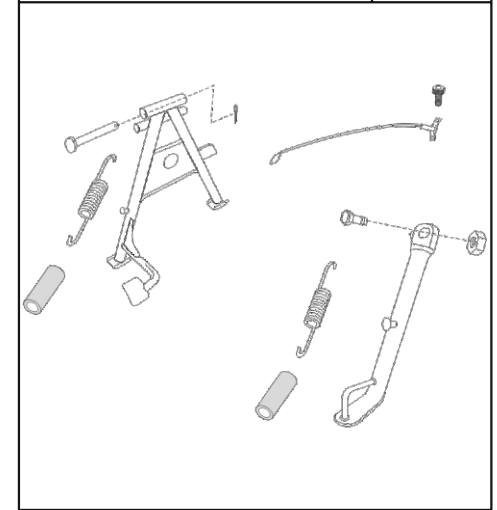


PLATE NO. : 31
Tube / Tyre / Rim

PAGE NO.
61 & 62

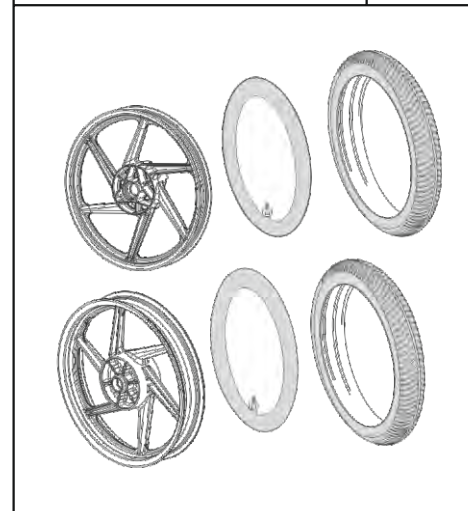
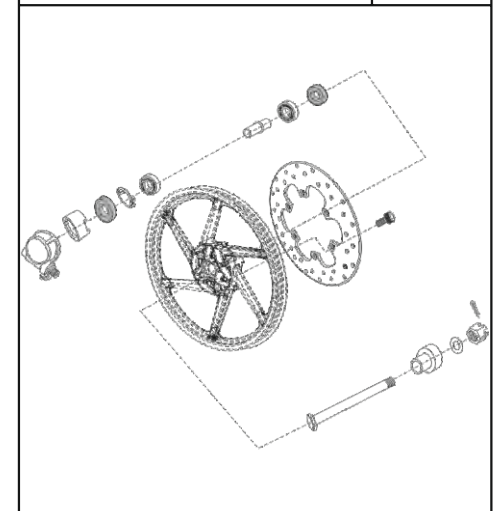


PLATE NO. : 32
FRONT HUB (FOR DRUM BRAKE)

PAGE NO.
63 & 64



Pictorial Index

PLATE NO. : 33
FR. Master Cylinder (For Disc Brake)

PAGE NO.
65 & 66

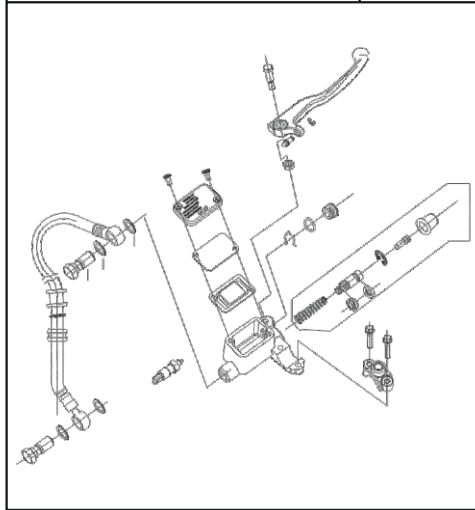


PLATE NO. : 34
FRONT MASTER CYLINDER

PAGE NO.
67 & 68

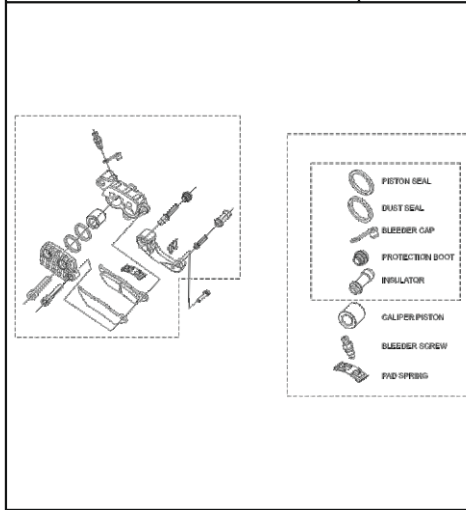


PLATE NO. : 35
Rear Hub

PAGE NO.
69 & 70

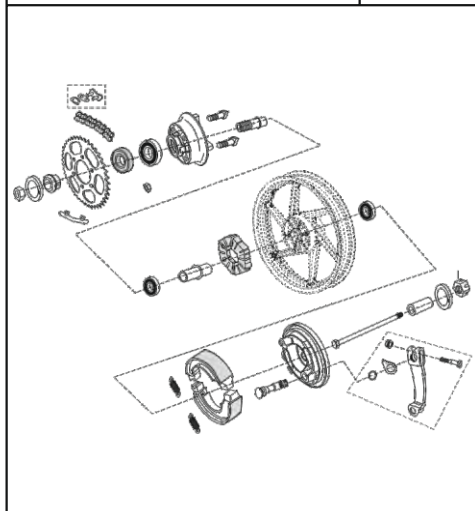
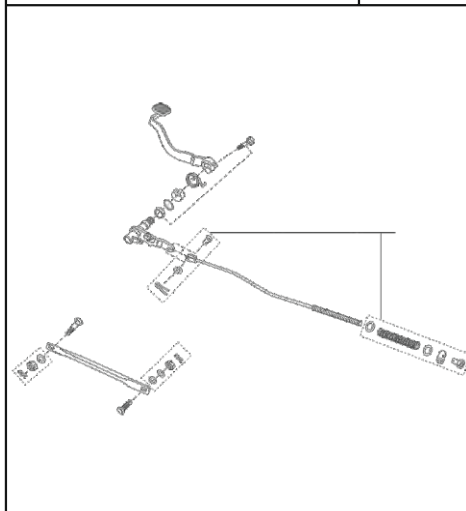


PLATE NO. : 36
REAR HUB

PAGE NO.
71 & 72



Pictorial Index

PLATE NO. : 37
Handle Bar

PAGE NO.
73 & 74

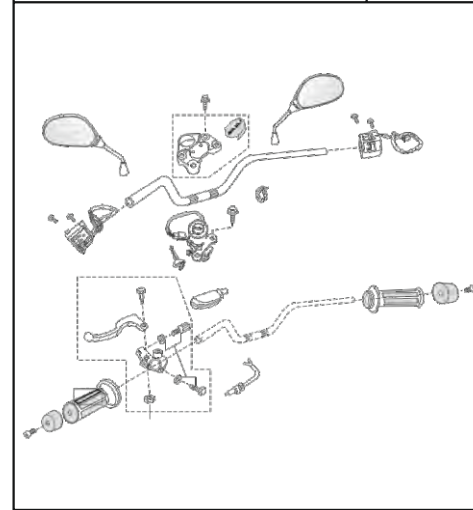


PLATE NO. : 37A
HANDLE BAR (Split Type)

PAGE NO.
75 to 78

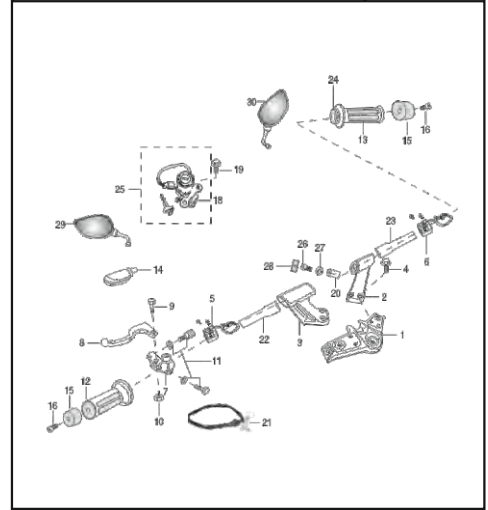


PLATE NO. : 38
HANDLE BAR

PAGE NO.
79 & 80

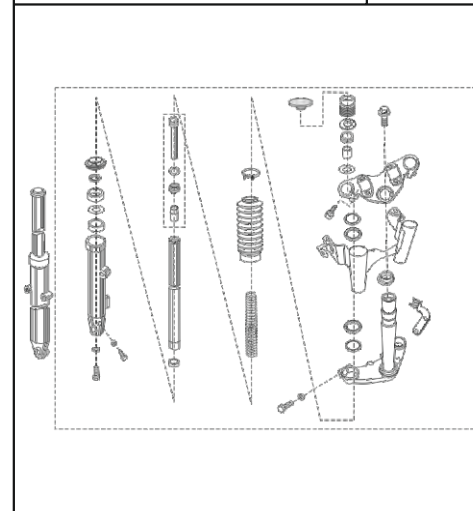
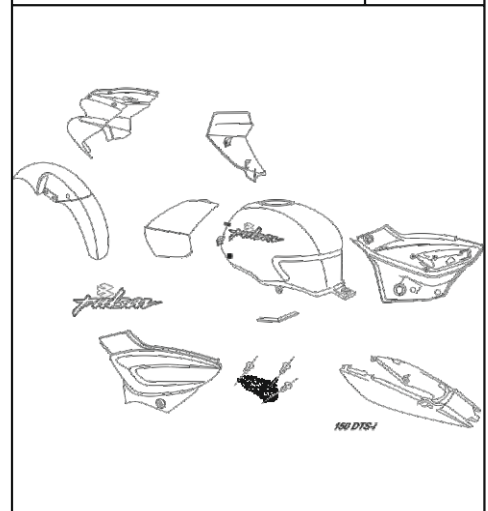


PLATE NO. : 39
Painted Parts & Decals

PAGE NO.
81/82/83/84



Pictorial Index

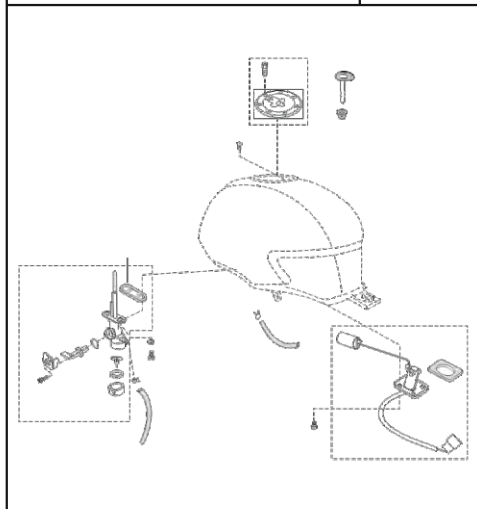
PLATE NO. : 40 Cap Tank & Gauge Fuel	PAGE NO. 85 & 86
	

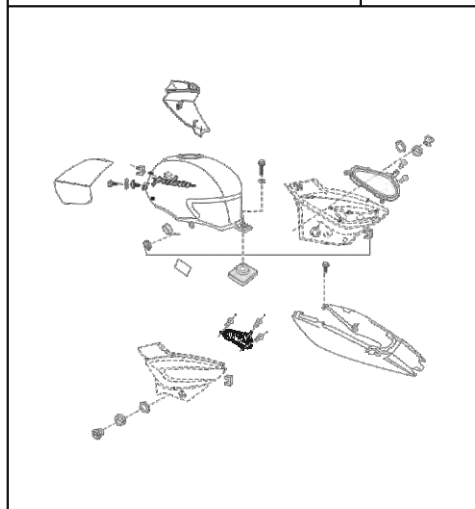
PLATE NO. : 41 Fittings P. Tank, Side Cover & Cover Seat	PAGE NO. 87 & 88
	

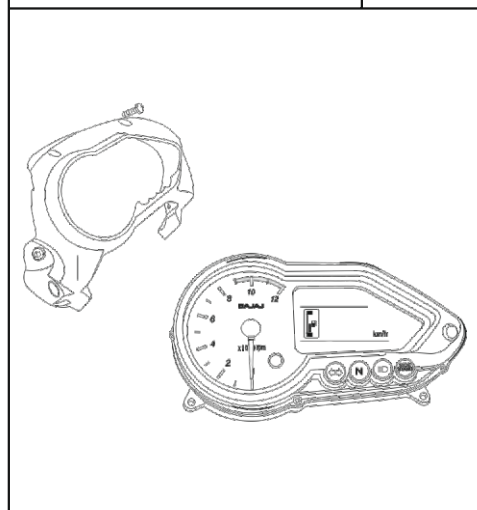

PLATE NO. : 42 Meter Assembly	PAGE NO. 89 & 90
	

PLATE NO. : 43 Control Cables	PAGE NO. 91 & 92
	

Pictorial Index

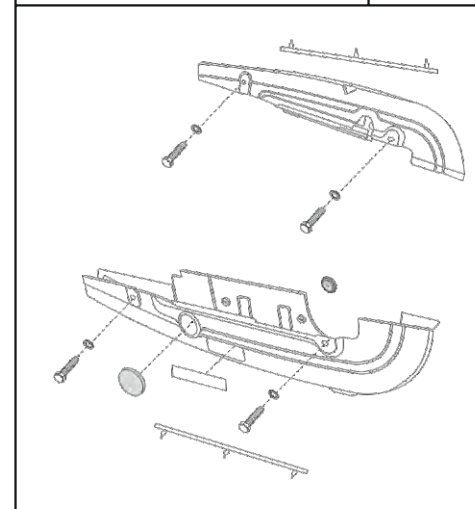
PLATE NO. : 44 Chain Case	PAGE NO. 93 & 94
	

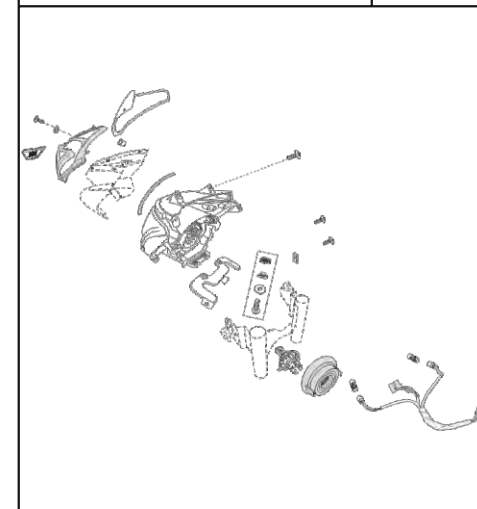
PLATE NO. : 45 Head Lamp & Fairing	PAGE NO. 95 & 96
	

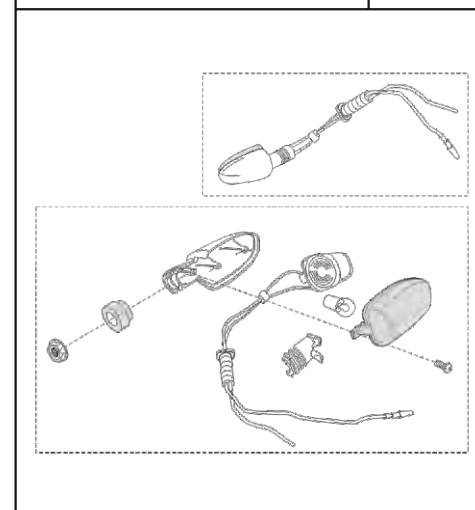
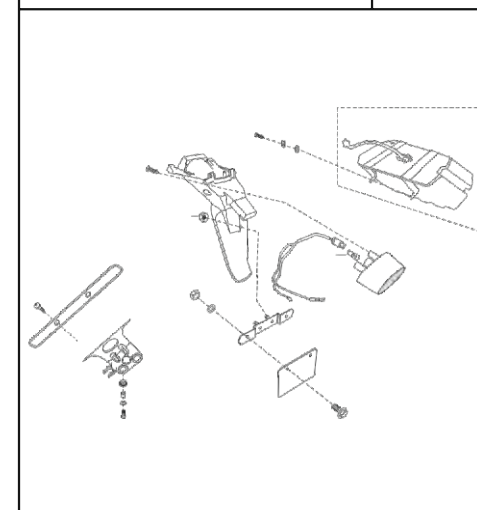
PLATE NO. : 46 Indicator Light Assembly	PAGE NO. 97 & 98
	

PLATE NO. : 47 Tail Lamp Assly / FR & RR No. Plate	PAGE NO. 99 & 100
	

Pictorial Index

PLATE NO. : 48
Electrical Equipments

PAGE NO.
101 & 102

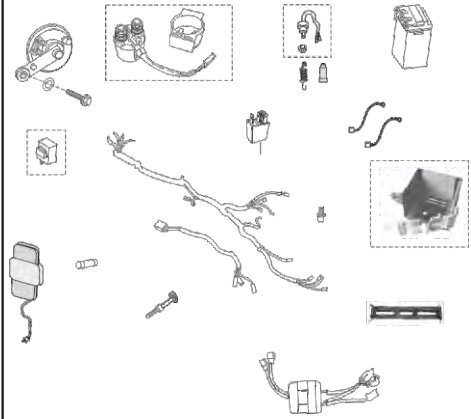


PLATE NO. : 49
Tool Kit

PAGE NO.
103 & 104

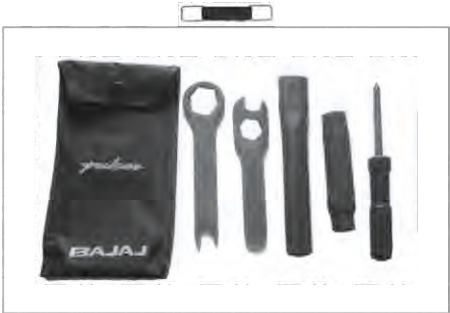
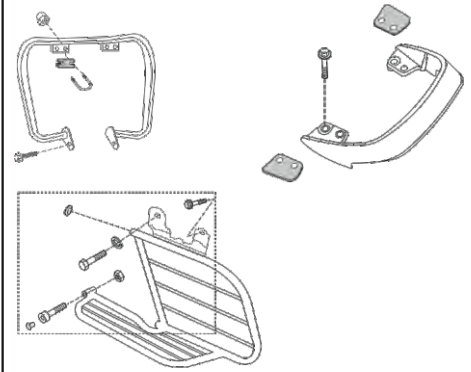
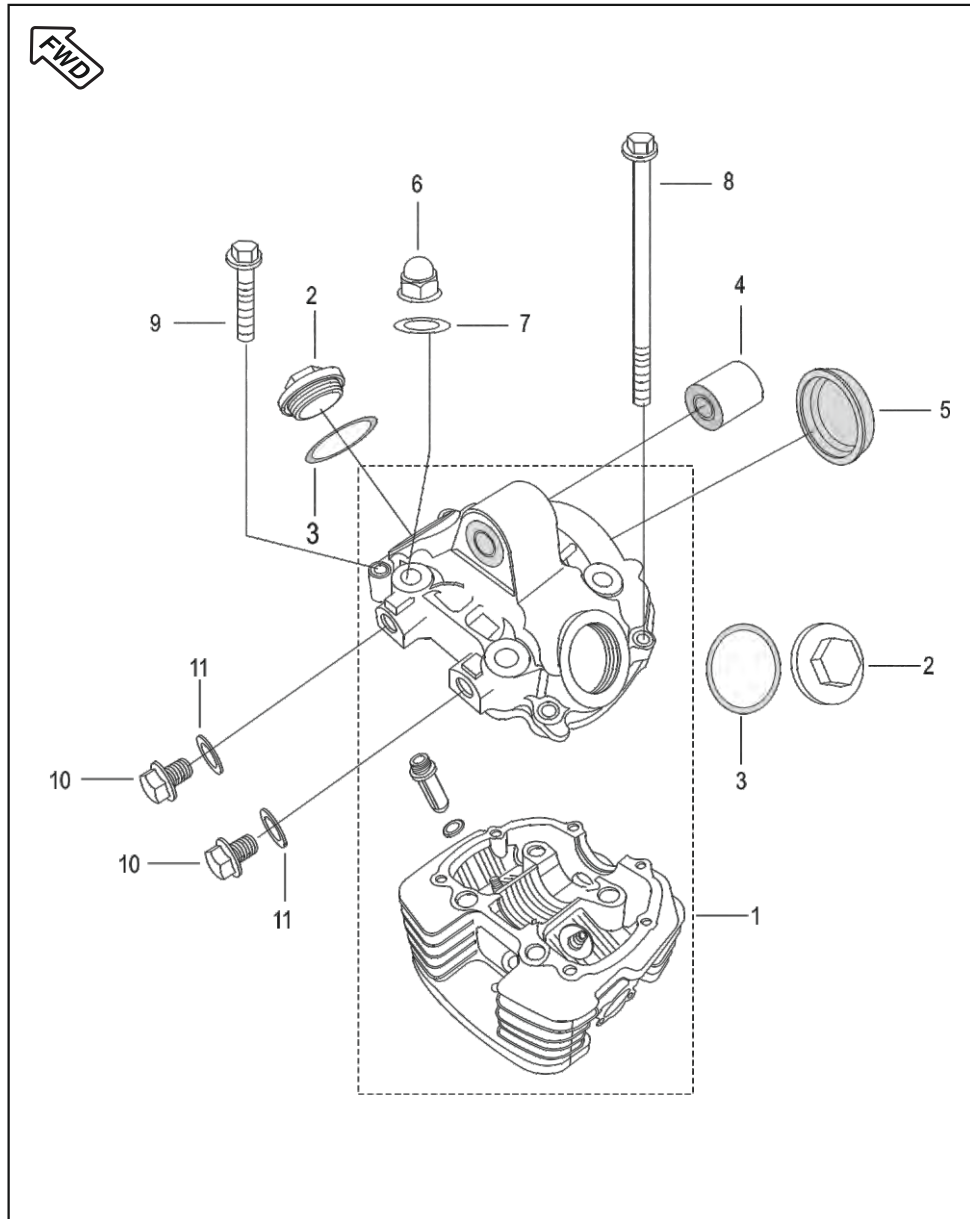


PLATE NO. : 50
Accessories / Grab Handle

PAGE NO.
105 & 106

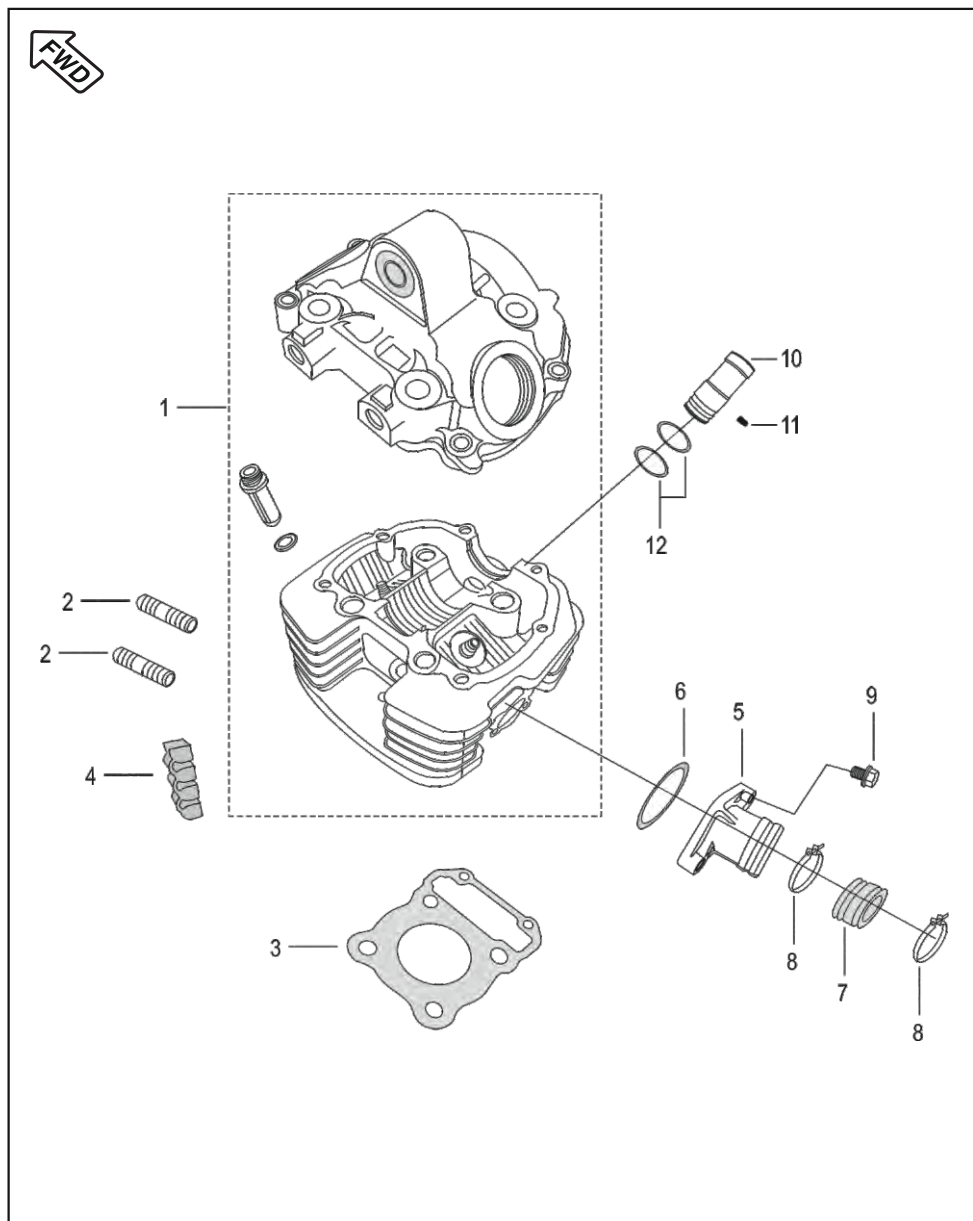


Cover Cylinder Head



No.	Part No.	Description	Qty/Veh.	Remarks
1	DH 1018 63	Head Cylinder With Cover	1	
2	DJ 1012 17	Cover Tappet	2	
3	36 DS10 01	'O' Ring Kit For Cover Cyl. Head	1	
4	DS 1011 66	Silent Bush (V)	1	
5	DS 1010 96	Camshaft Cap	1	
6	39 2647 15	Domed Cap Nut	4	
7	DS 1013 16	Copper Gasket	4	
8	39 2532 04	Hex. Bolt With Flange	2	
9	39 1075 04	Hex. Bolt / Flange	4	
10	DH 1012 72	Plug	2	
11	DG 1014 98	Gasket	2	

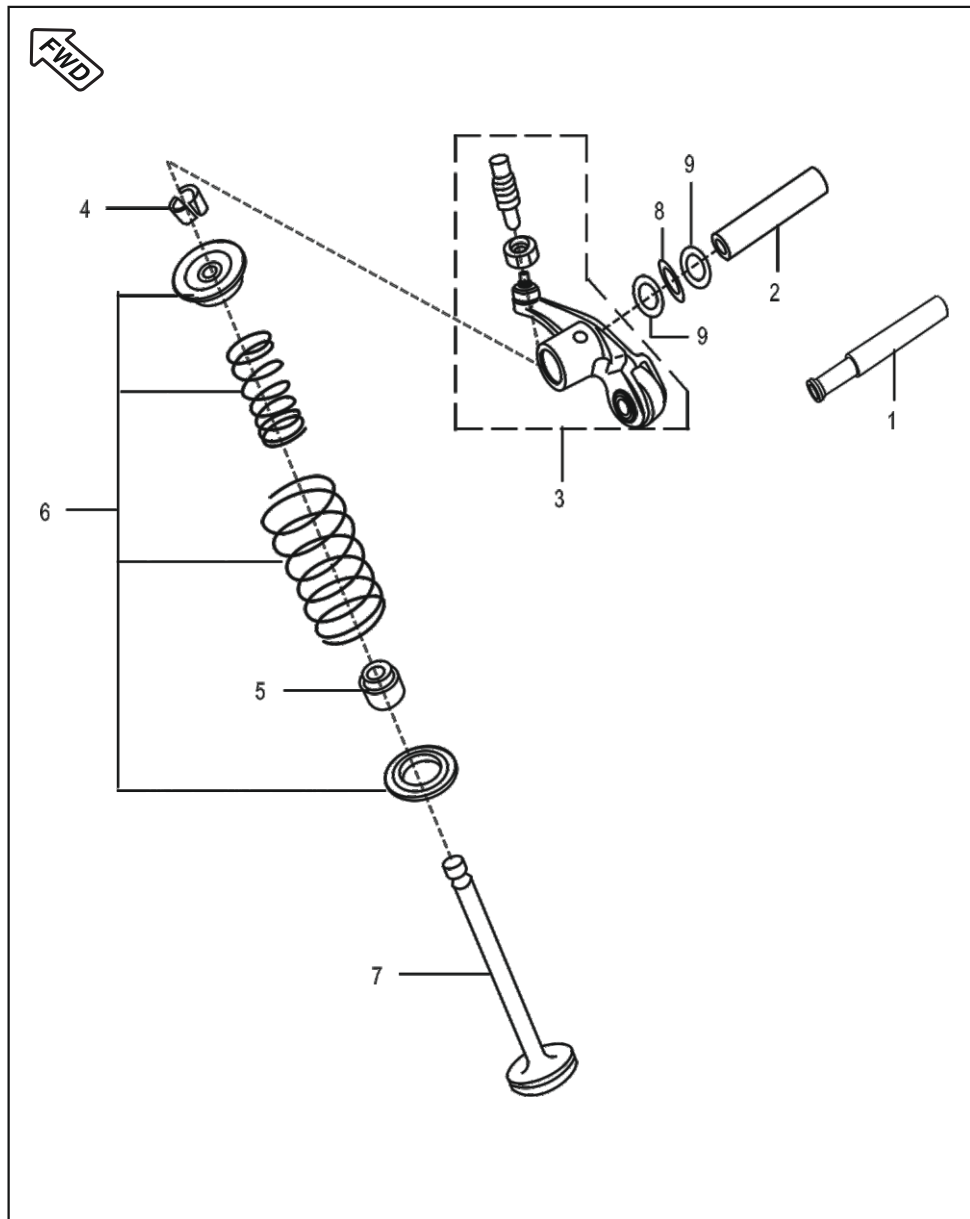
Cylinder Head



No.	Part No.	Description	Qty/Veh.	Remarks
1	DH 1018 63	Head Cylinder With Cover	1	
	36 DH40 46	Kit Cylinder Head with Cover	1	* from Eng. no. BUM42583
	36 DH40 50	Kit Cylinder Head with Cover	1	Alt. For 36DH4046
2	39 1660 05	Stud (exhaust)	2	
3	DH 1016 80	Gasket Cylinder Head	1	
4	DH 1015 08	Damper Cylinder Head	5	
5	DH 1211 53	Intake Manifold	1	
	DH 1018 98	Intake Manifold	1	from Eng. BSK88252 Cir. C-21
6	39 1283 21	'O' Ring (intake Pipe)	1	
7	DH 1211 06	Carburetor Insulator	1	
	DJ 1210 22	Carburetor Insulator	1	from Eng. BSK88252 Cir. C-21
8	DH 1210 38	Clamp For Insulator	2	
9	39 1674 04	Hex. Bolt / Flange	2	
10	DH 1110 12	Sleeve - Spark Plug	1	
11	39 2608 01	Grub Screw	1	
12	36 DS10 01	'O' Ring Kit For Cover Cyl. Head	1	Refer Page No.103

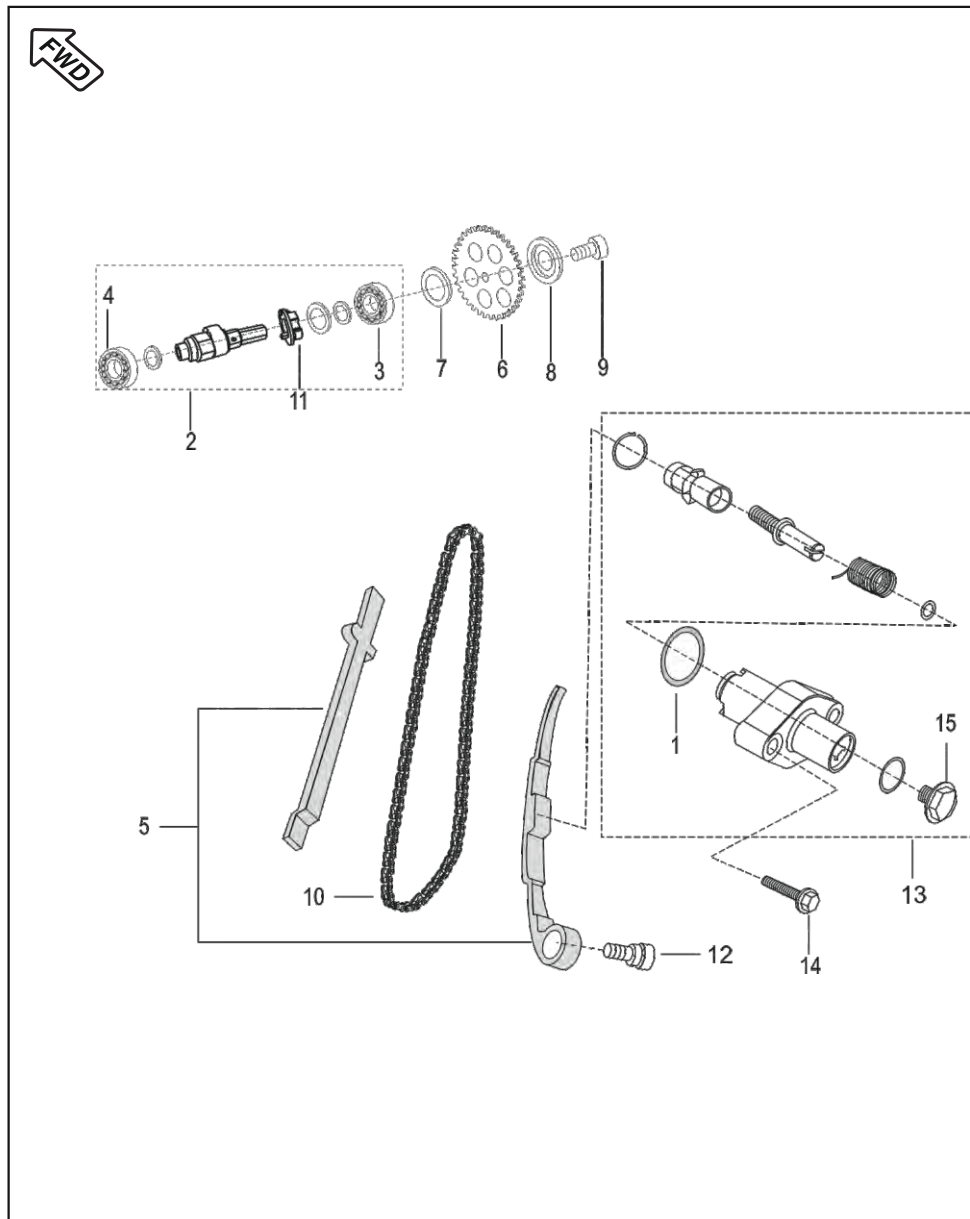
Note - Rocker arm without Needle Roller Bearing introduction from Engine number BUM42583.

Valve



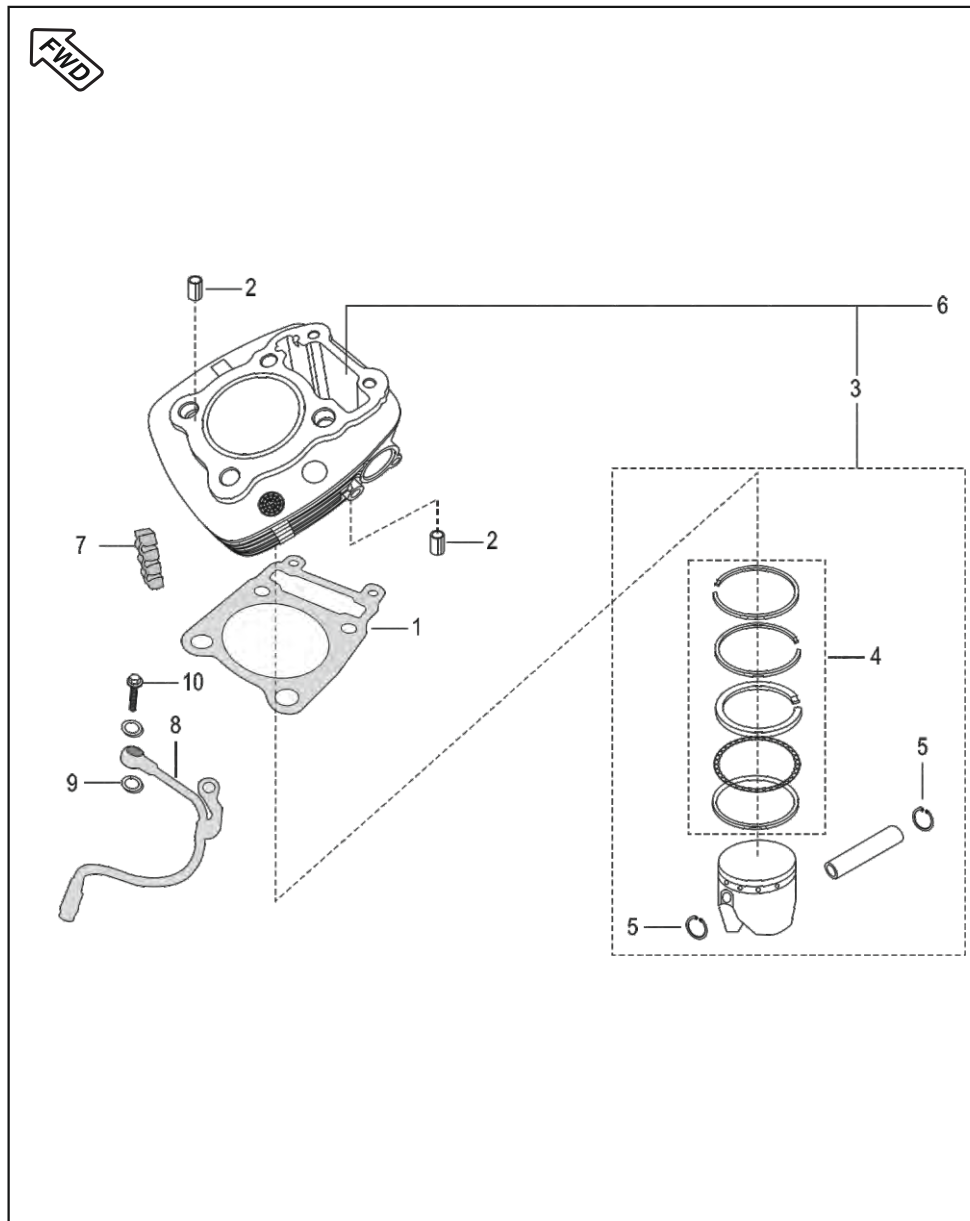
No.	Part No.	Description	Qty/Veh.	Remarks
1	DS 1013 35	Rocker Arm Shaft - Intake	1	
	DK 1017 48	Rocker Arm Shaft - Intake	1	* from Eng. no. BUM42583
2	DS 1013 36	Rocker Arm Shaft - Exhaust	1	
	DK 1017 51	Rocker Arm Shaft - Exhaust	1	* from Eng. no. BUM42583
3	DS 1013 33	Rocker Arm With Roller	2	
	DK 1017 55	Rocker Arm Without Roller	2	* from Eng. no. BUM42583
4	DG 1010 29	Cotter Valve	4	
5	39 2017 19	Seal Valve Stem	2	
6	36 DS10 03	Valve Repair Kit	1	Ref. Page No.103
	DK 1013 26	Valve Repair Kit	1	from Eng. BSK88252 Cir. C-21
7	36 DS10 02	Valve Kit	1	Ref. Page No.103
8	DS 1013 66	Wave Washer	2	
	DH 1012 95	Wave Washer	2	* from Eng. no. BUM42583
9	59 1100 02	Plain Washer	4	
	39 2440 11	Plain Washer	4	* from Eng. no. BUM42583
<p>Note - Rocker arm without Needle Roller Bearing introduction from Engine number BUM42583.</p>				

Camshaft / Tensioner



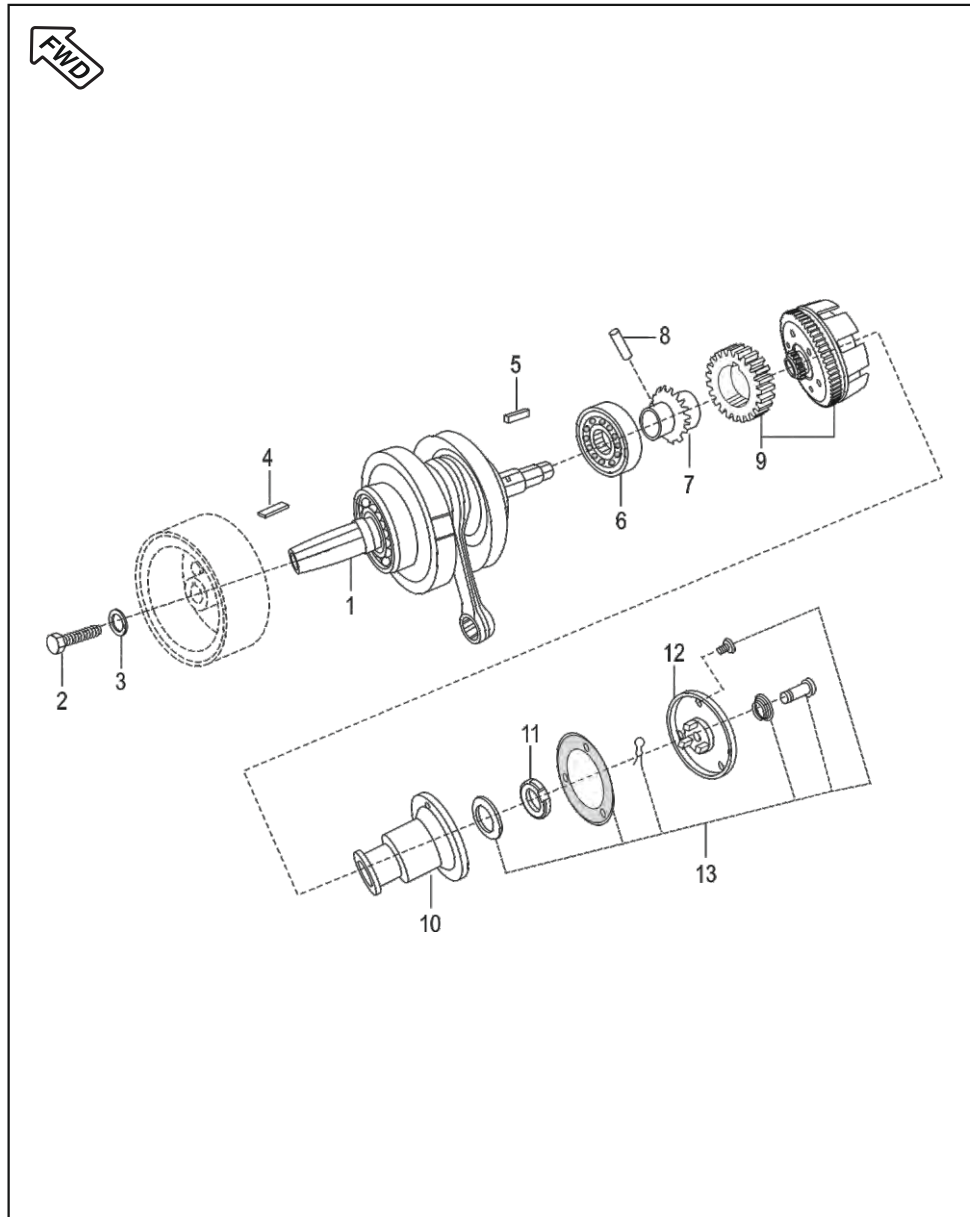
No.	Part No.	Description	Qty/Veh.	Remarks
1	CS 1011 28	Ring 'O'	1	
2	DH 1017 03	Camshaft Assembly with D-comp	1	
	DH 1019 03	Camshaft Assembly W/o D-comp	1	from Eng.no.BSD96696
	DK 1016 14	Assly. Camshaft DK S (Black)	1	from Eng. BSK88252 Cir. C-21
3	39 2542 20	Bearing Cam RH Side	1	6302 - Rs1/c3
4	39 1880 20	Bearing Cam LH Side	1	6002 - C3
5	36 DH40 30	Guide Chain Kit	1	
6	DS 1012 76	Sprocket Cam Driver	1	
	PD 5112 29	Sprocket Cam Driver	1	Ref. cir. IB-224
7	DH 1014 12	Collar Cam Sprocket	1	
8	DH 1010 48	Special Camshaft Washer	1	
9	DH 1013 87	Hex. Soc. Head Cap Bolt	1	
10	DH 1010 50	Cam Chain	1	
	JC 1010 35	Cam Chain (98 LINKS)	1	from Eng. BSK88252 Cir. C-21
11	DJ 1011 37	De-comp Assly.	1	
12	DH 1013 92	Cam Chain Tensioner Pivot Bolt	1	
13	JC 1010 34	Tensioner Assly	1	
14	39 1674 04	Hex Bolt / Flange	2	
15	DD 1010 62	Bolt	1	

Cylinder and Piston



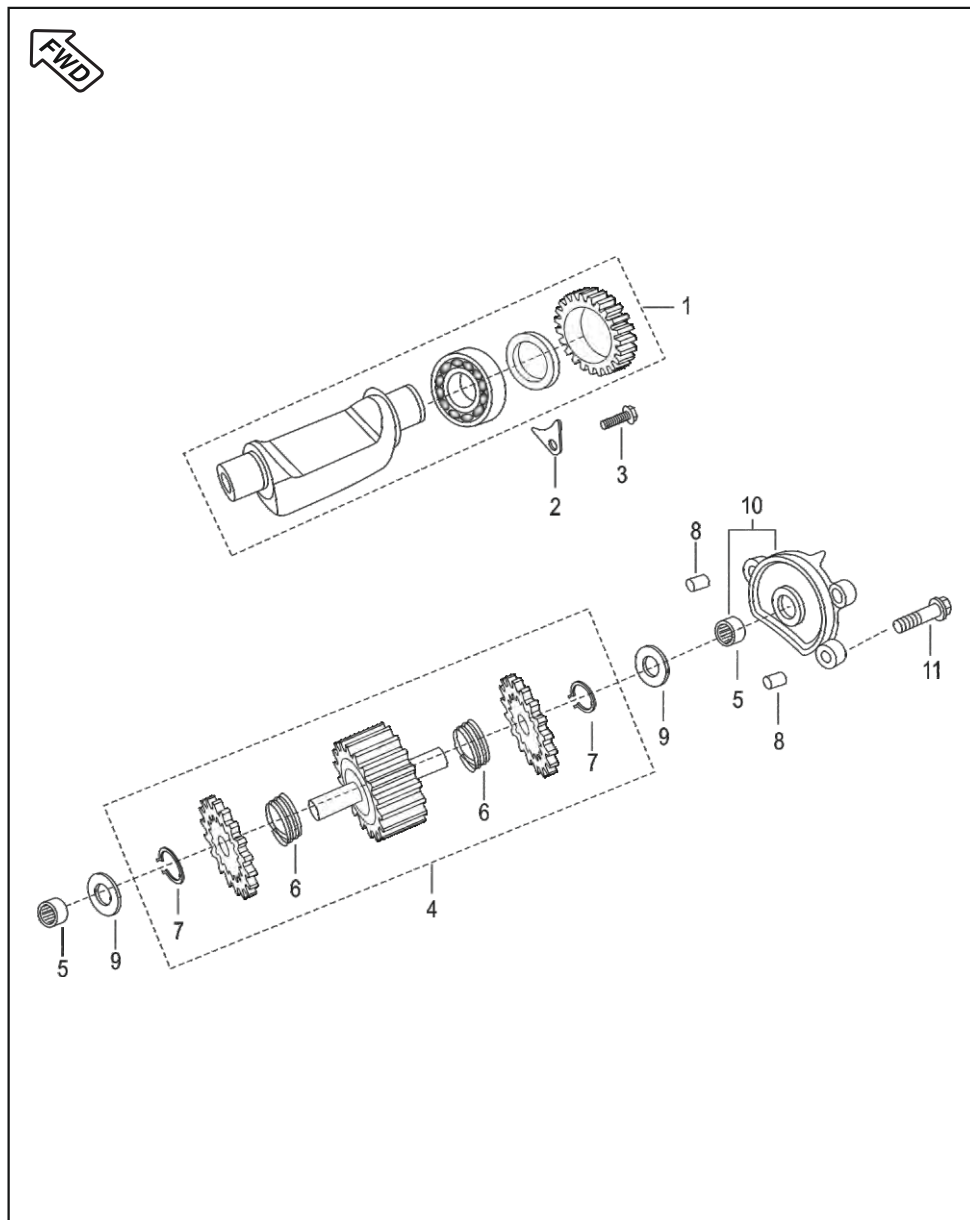
No.	Part No.	Description	Qty/Veh.	Remarks
1	DH 1010 16	Gasket Cylinder	1	N.S
2	39 2181 06	Pin Dowel	4	
3	DH 1016 65	Piston Assly. Std.	1	
4	36 DJ40 08	Ring Set Piston	1	
5	DH 1016 71	Ring Snap	2	
6	DH 1018 64	Cylinder Block / Piston Assly	1	
7	DH 1014 14	Damper Cylinder Block	4	
8	DK 1015 92	Assembly Oil Pipe	1	
9	31 1210 06	Gasket	4	
10	DD 1210 07	Bolt	2	

Crank shaft



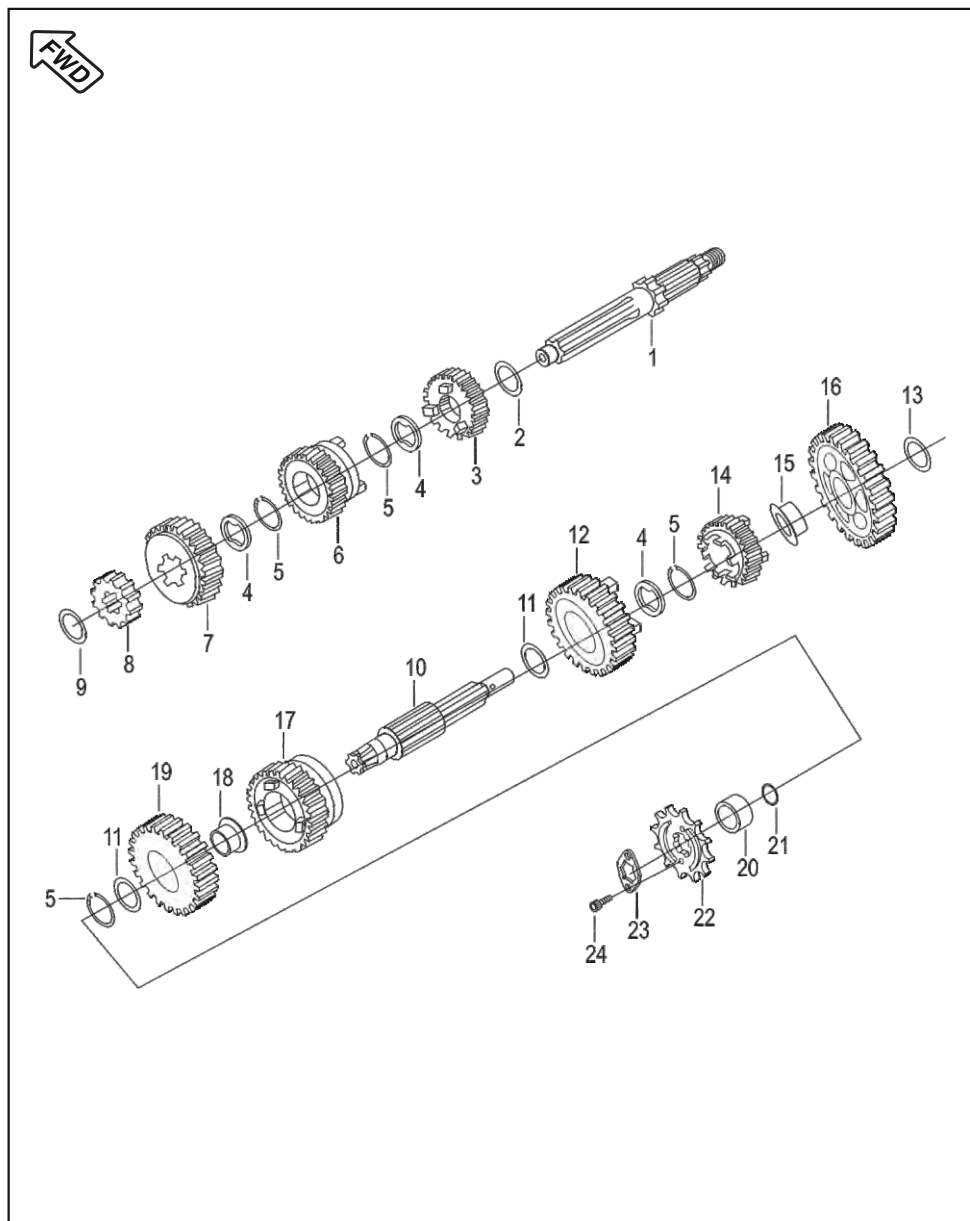
No.	Part No.	Description	Qty/Veh.	Remarks
1	DH 1016 72	Crankshaft Assly. Comp.	1	
2	39 2183 04	Bolt	1	N.S
3	39 2165 11	Plain Washer	1	
4	31 1011 73	Key Woodruff	1	
5	DS 1011 54	Square Key	1	
6	39 2561 20	Bearing Ball	1	
7	DS 1012 75	Sprocket Cam Drive	1	
8	39 2203 07	Parallel Pin	1	
9	36 DH40 09	Set Primary Driver & Driven	1	Ref. Page No.103
	36 DH40 93	Set Primary Driver & Driven	1	Re. Cir. IB-195
10	DH 1010 64	Body Centrifugal Oil Filter	1	
11	DH 1011 95	Nut	1	7mm. (height)
12	DH 1010 65	Cover Centrifugal Oil Filter	1	
13	36 DH40 19	Kit Centrifugal Oil Filter	1	

Balancer & Balancer Idler Gear



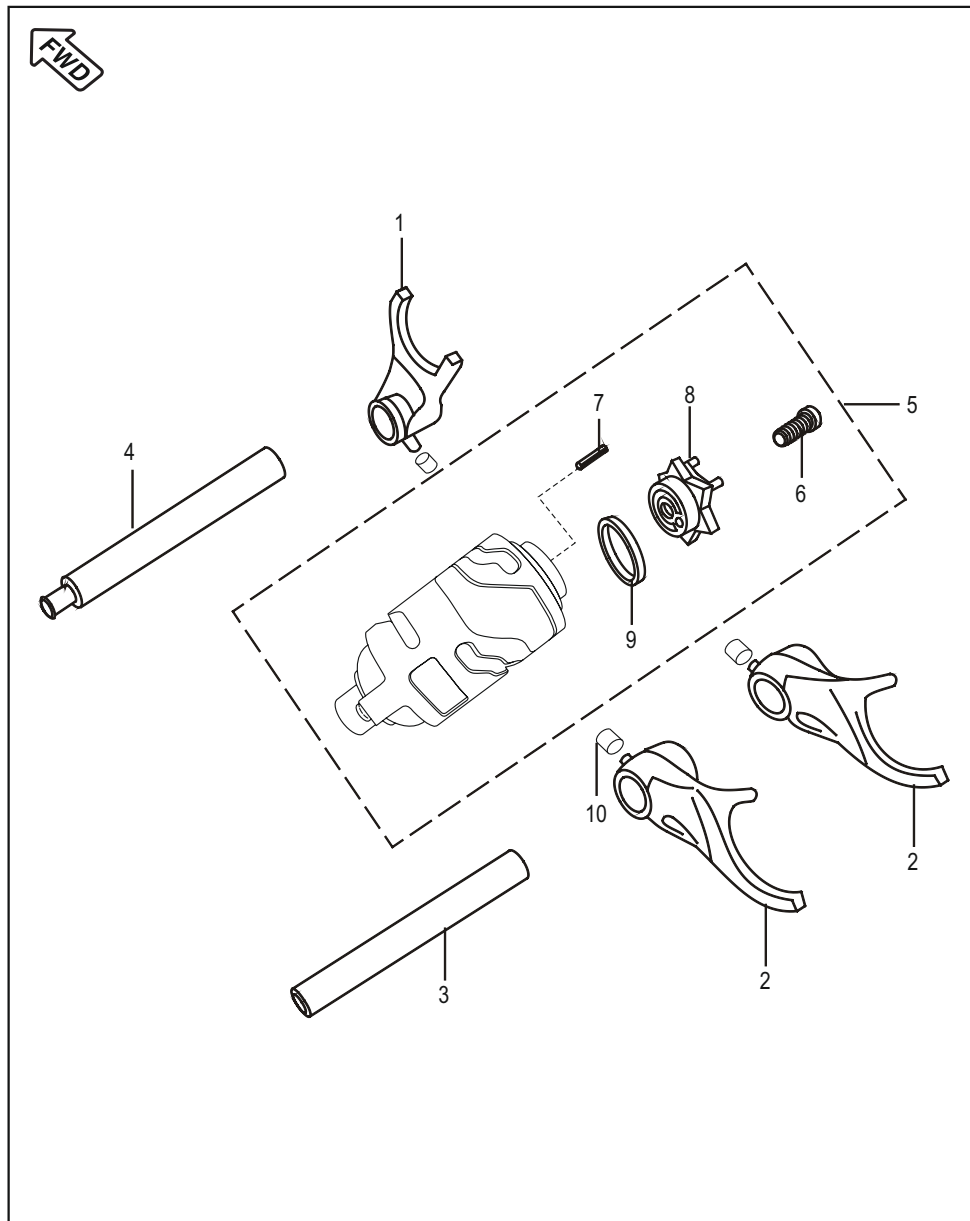
No.	Part No.	Description	Qty/Veh.	Remarks
1	DH 9000 14	Body Balancer Assly.	1	
	DH 1020 50	Body Balancer Assly.	1	Alternate
	DH 1021 04	Body Balancer Assly.	1	from Eng. DHZCCG53895
2	DH 1010 72	Bearing Stopper	1	
3	39 1672 04	Bolt	1	
4	DH 1014 32	Assly. Balancer Idler Gear Comp.	1	
	36 DH40 57	Kit Body Balancer + Gear Bal Idl	1	Alternate for DH 1014 32
5	39 2152 20	Needle Roller Bearing	2	
6	DJ 1011 33	Spring Torsion Balancer Idler	2	N.S
	DH 1014 24	Spring Torsion Balancer Idler	2	Alt. For DJ101133
7	39 2557 17	Circlip Ext.	2	
8	39 1686 06	Dowel Pin	2	
9	39 1620 11	Thrust Washer	2	
10	52 DH01 77	Balancer Idler Holder	1	
11	39 1674 04	Bolt	3	

Transmission

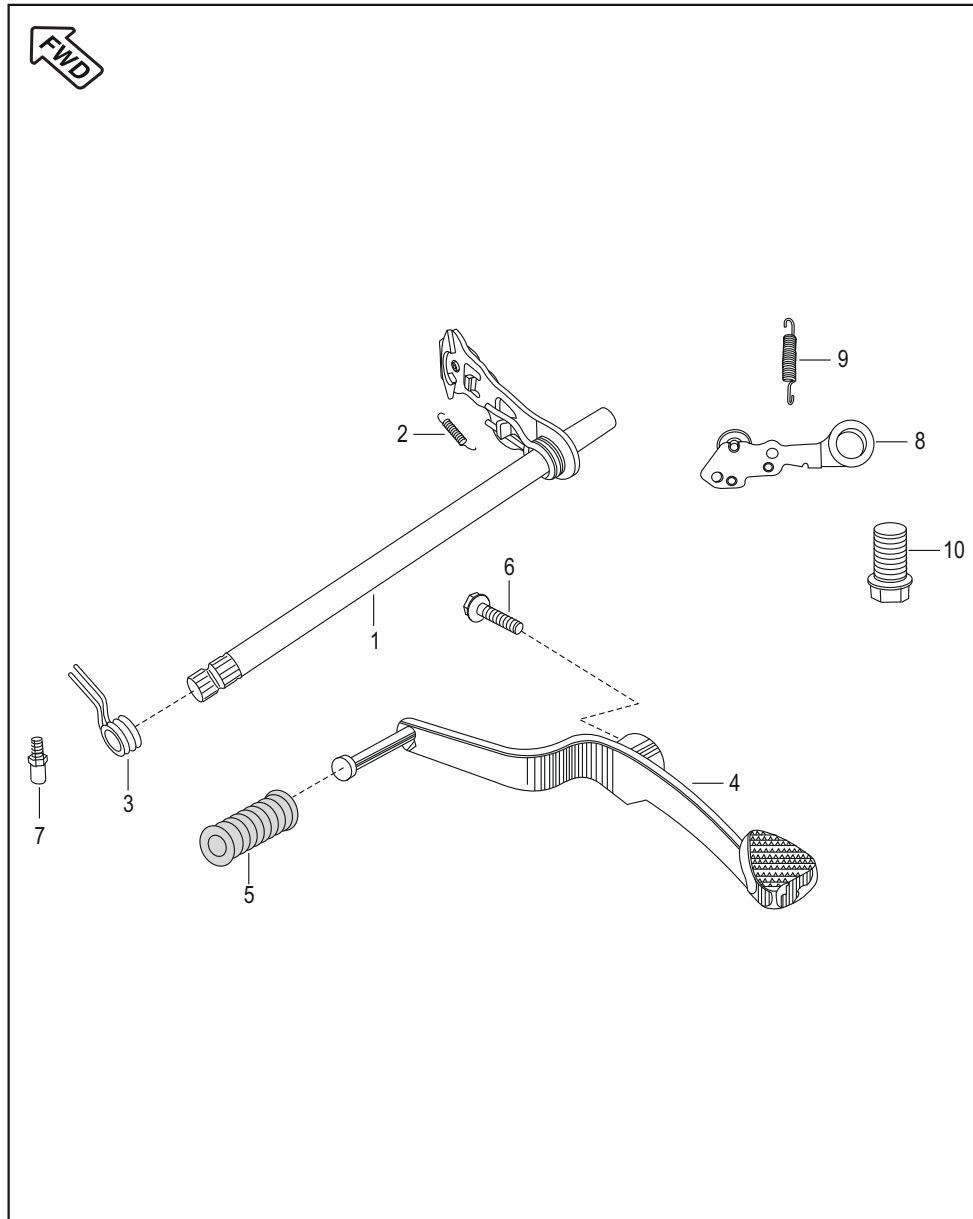


No.	Part No.	Description	Qty/Veh.	Remarks
1	DK 1014 71	Shaft Input Transmission	1	
2	39 2158 11	Plain Washer	1	
3	DH 1010 78	Gear 4th Drive	1	
4	DH 1010 79	Washer Spline	3	
5	DH 1012 35	External Circlip	4	
6	DH 1010 80	Gear 3rd Drive	1	
7	DH 1010 82	Gear 5th Drive	1	
8	DH 1010 84	Gear 2nd Drive	1	
9	39 2160 11	Plain Washer	1	
10	DH 1014 16	Shaft Output Transmission	1	
11	39 2166 11	Washer Thrust	2	
12	DH 1011 08	Gear 3rd Driven	1	
13	39 2159 11	Plain Washer	1	
14	DH 1011 10	Gear 4th Driven	1	
15	DH 1011 11	Bush 1st Driven	1	
16	DJ 1011 10	Gear 1st Driven	1	
17	DH 1011 13	Gear 5th Driven	1	
18	DH 1013 19	Bush 2nd Driven	1	
19	DH 1013 33	Gear 2nd Driven	1	
	DK 1017 19	Gear 2nd Driven	1	Alt. For. DH101333
20	DH 1011 16	Collar Sprocket	1	
21	30 1010 61	'O' Ring Sprocket Coller	1	
22	DH 1011 17	Sprocket Drive	1	
23	DJ 1010 63	Plate Drive Sproket	1	
24	39 1062 04	Bolt Drive Sprocket	2	

Change Drum / Shaft Fork



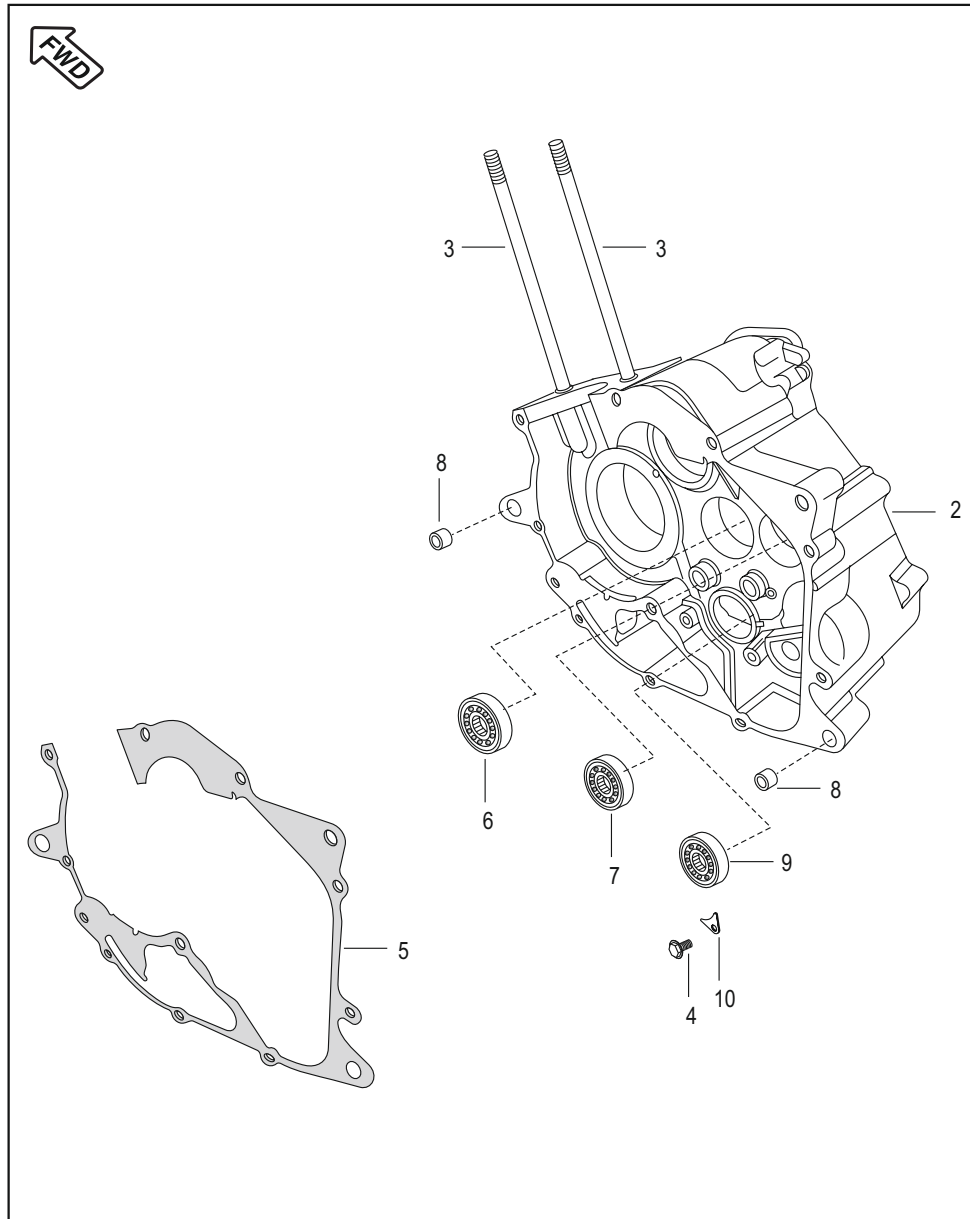
No.	Part No.	Description	Qty/Veh.	Remarks
1	DK 1011 59	Fork Gear Shift Input	1	
2	DK 1011 60	Fork Gear Shift Output	2	
3	DH 1011 46	Shaft Gear Shift Fork	1	
4	DH 1014 93	Shaft Gear Shift Fork	1	
5	DK 1013 82	Drum Comp. Gear Shift	1	N.S
	DK 1017 32	Drum Comp. Gear Shift	1	Alt. For Dk101382
6	39 2639 04	Bolt Socket	1	N.S
7	39 2606 07	Parallel Pin	1	
8	DK 1013 61	Guide Gear Shifter	1	
	DH 1021 89	Guide Gear Shifter	1	From Aug 16
9	DH 1014 96	Spacer	1	
10	DK 1011 35	Bush Fork Gear Shift	3	



Gear Change Mechanism

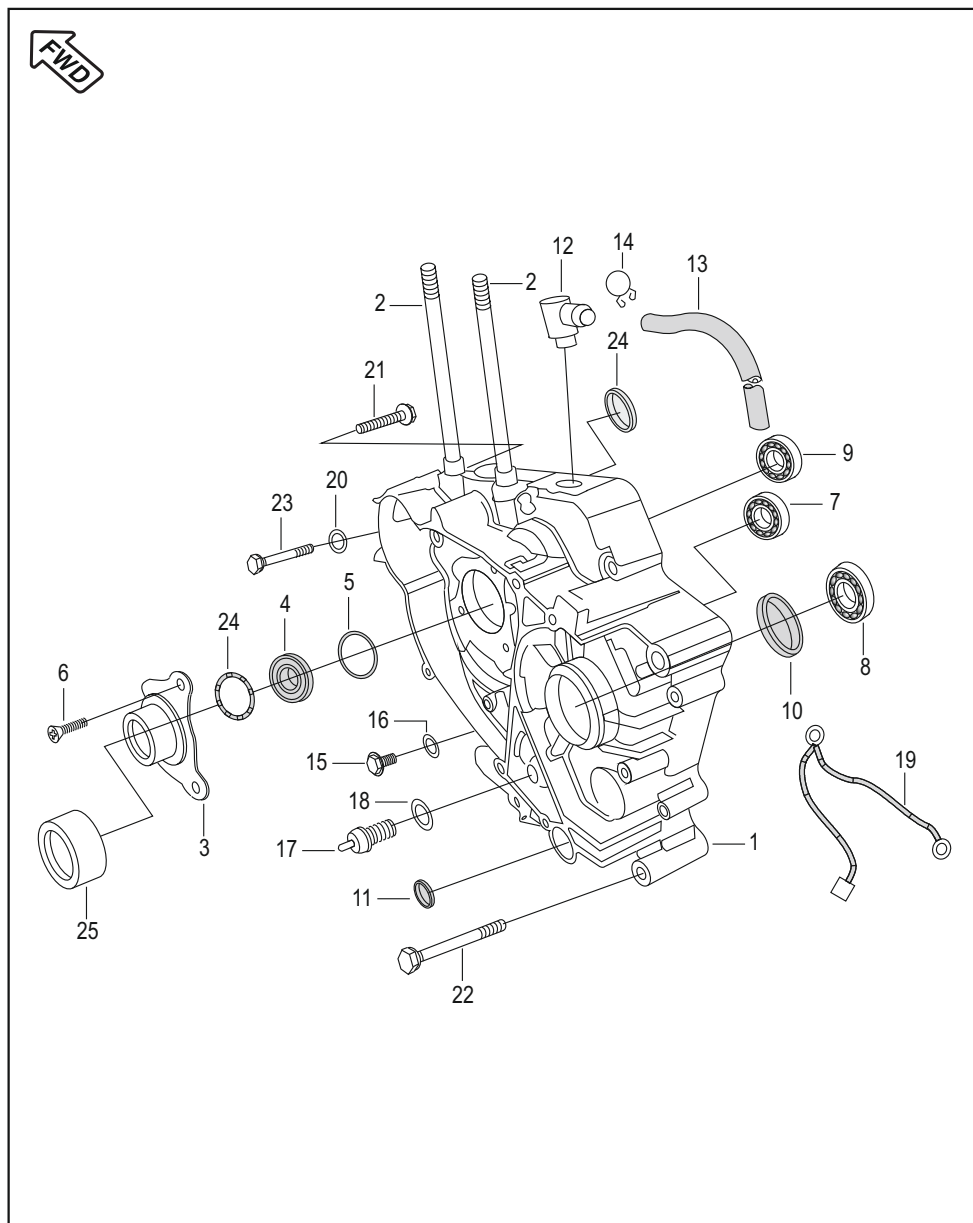
No.	Part No.	Description	Qty/Veh.	Remarks
1	DH 1017 05	Lever Comp. Gear Shifter	1	
2	DH 1011 43	Spring Slider Arm Reset	1	
3	DH 1011 44	Spring Gear Shifter Return	1	
4	DH 1013 97	Lever Comp. Change	1	
5	DH 1015 09	Damper	1	
6	39 1902 04	Flanged Bolt	1	
7	DH 1013 93	Bolt Gear Shift Drum Stopper	1	
8	DH 1015 03	Stopper Gear Shifter Drum	1	N.S
	DK 1017 25	Stopper Gear Shifter Drum	1	Alternate DH 1015 03
9	DH 1015 02	Spring Gear Shifter Drum Stopper	1	
10	DH 1013 94	Bolt Shift Change	1	

Engine Assly. & Crankcase RH



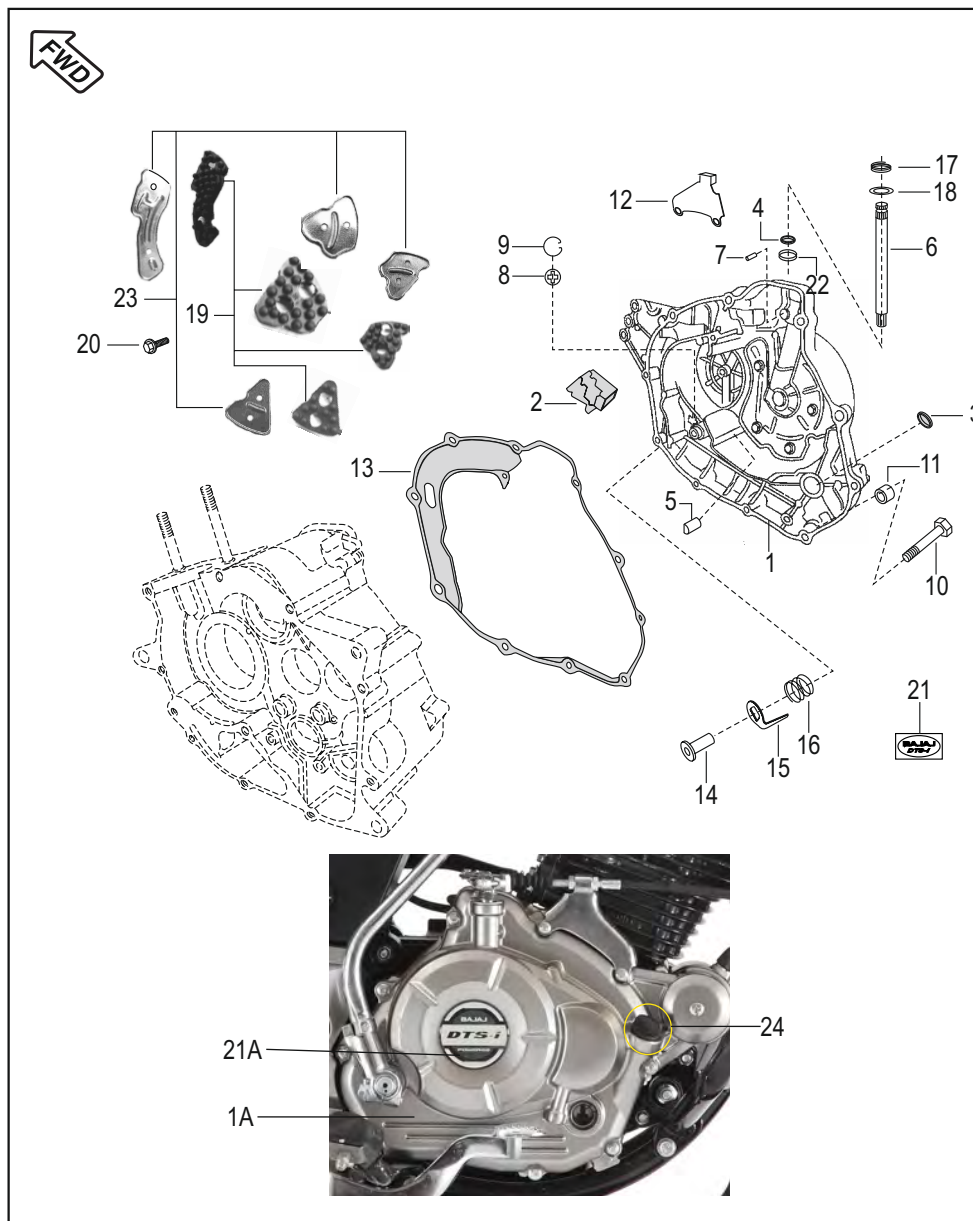
No.	Part No.	Description	Qty/Veh.	Remarks
1	DH 1018 69	Engine Assly. With Starter Motor	1	
	DH 1019 19	Engine Assly. With Starter Motor	1	from Eng. BSK88252 Cir. C-21
	DH 1020 56	Engine Assly. With Starter Motor MLT Silver	1	from Chs. UCF01001
2	DJ 1012 13	Crankcase RH	1	
3	39 2531 05	Stud	2	
4	39 1062 04	Bolt Flanged	1	
5	DH 1010 06	Gasket Crankcase	1	
6	39 2583 20	Bearing Ball (For Input Shaft)	1	
7	39 2602 20	Bearing Ball (For Output Shaft)	1	
8	39 2180 06	Dowel Pin	2	
9	39 2601 20	Ball Bearing	1	(For Dr. Comp.Gear Shift)
10	DH 1014 87	Plate Stopper	1	

Crankcase LH

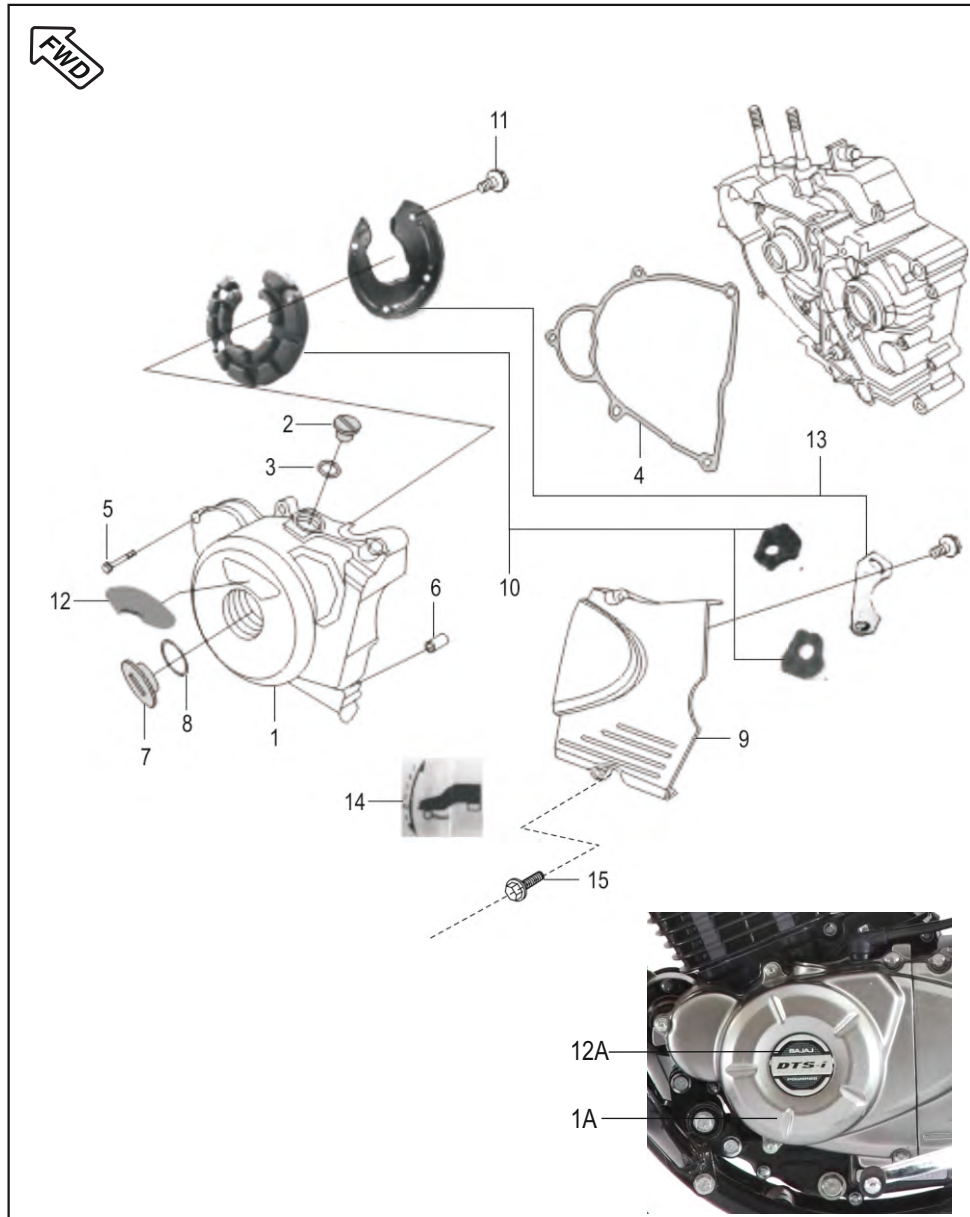


No.	Part No.	Description	Qty/Veh.	Remarks
1	DJ 1013 44	Crankcase LH	1	
2	39 2531 05	Stud	2	
3	DH 1016 54	Guide Starter Assly	1	
4	39 1715 19	Oil Seal	1	
5	DH 1014 23	O' Ring	1	
6	39 0752 01	C' Sunk Head Screw	3	
7	39 2603 20	Bearing Ball (for Input Shaft)	1	
8	39 2583 20	Bearing Ball (for Output Shaft)	1	
9	39 2185 20	Balancer LH Bearing	1	
10	59 2000 28	Balancer LH Bearing	1	from Eng. DHZCCG53895
11	39 2189 19	Oil Seal (For Output Shaft)	1	
12	39 2190 19	Oil Seal (For Shift Lever)	1	
13	DH 1012 03	Breather Pipe	1	N.S
14	DH 1012 46	Rubber Tube	1	
15	28 1011 74	Spring Clip	1	
16	DH1016 61	Plug (Drain Bolt)	1	
17	DG 1014 98	Gasket (For Drain Bolt)	1	
18	DK 1013 80	Switch Comp.(Neutral)	1	
19	DH 1017 84	Gasket Neutral Switch	1	
20	DJ 2010 21	Cable Assly. (Battery To Earth)	1	
21	39 2448 11	Plain Washer	1	N.S
22	39 1845 04	Flanged Bolt	1	
23	39 1677 04	Bolt	8	
24	DH 1013 90	Bolt	1	
25	DH 1014 22	Damper	1	
	DH 1011 69	Bush Starter Gear Inner	1	

Cover RH

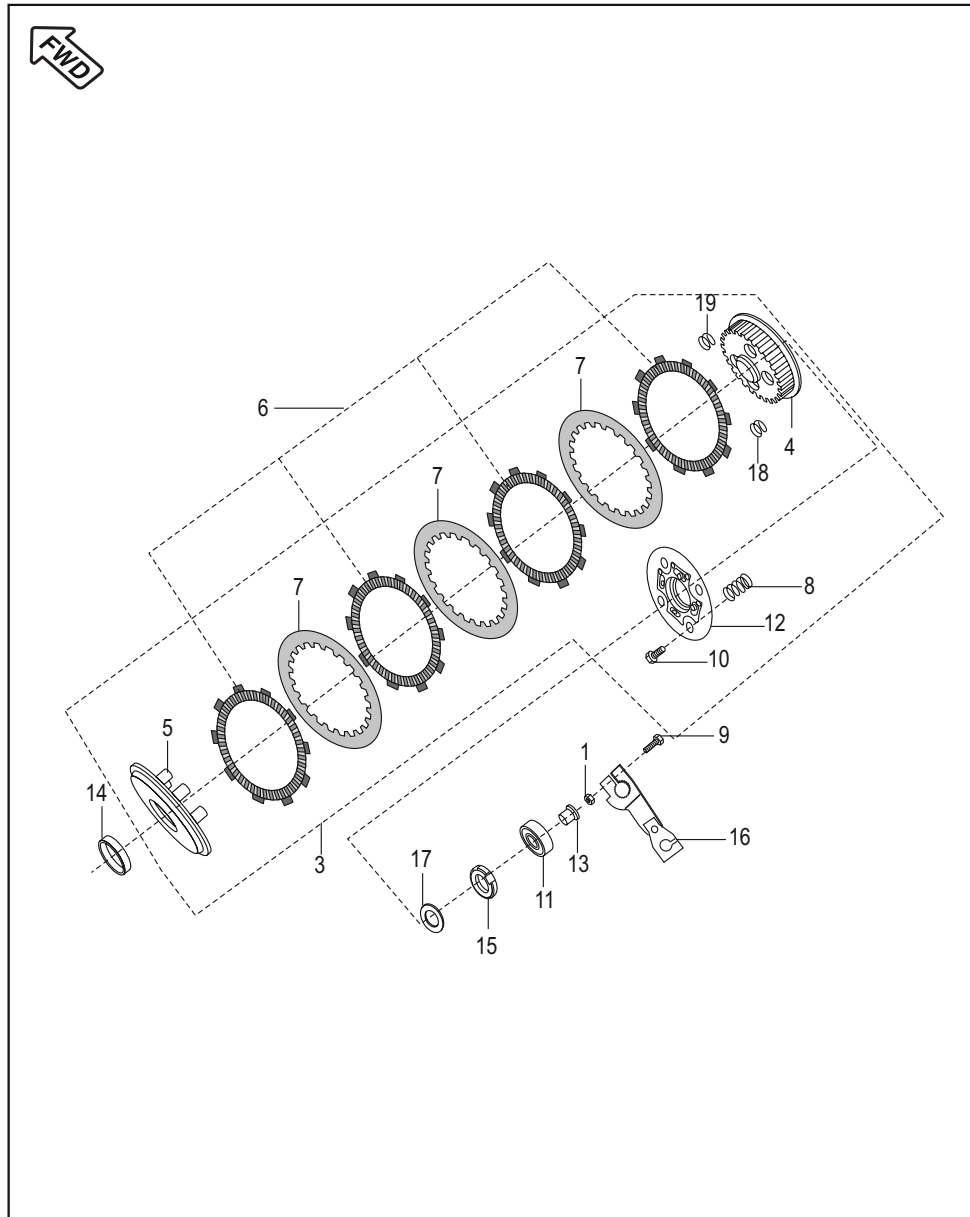


No.	Part No.	Description	Qty/Veh.	Remarks
1	52 DJ 01 96	Clutch Cover	1	
1A	36 DH40 31	Kit Assly. CL Cover Flower Type	1	from Chs. TCJ14714
	36 DH40 44	Kit Assly. CL Cover Flower Type MLT Silver	1	from Chs. UCF01001
2	DH 1011 97	Grommet Breather	1	
3	30 1011 42	Seal Kick Shaft	1	
4	39 1041 19	Seal Clutch Lever	1	
5	DH 1011 41	Rack	1	
6	DH 1011 42	Shaft Clutch Release	1	
7	39 2202 07	Parallel Pin	1	
8	DG 1014 18	Gauge	1	
9	DS 1012 15	Wire Circlip	1	
10	DS 1013 53	Bolt	10	
11	39 0999 06	Pin Dowel	2	
12	DH 1010 18	Bracket Clutch Cable	1	
13	DH 1011 54	Gasket Cover RH	1	
14	DK 1014 80	Plunger Oil	1	
15	DH 1210 11	Plate Plunger Oil	1	
16	DH 1210 12	Spring Joint 'A'	1	
17	DH 1015 44	Spring Torsion Clutch Lever	1	
18	39 2443 11	Washer	1	
19	36 DH10 04	Set Damper Cover RH	1	Ref. Page No.103 N.S
20	39 2208 04	Flanged Bolt	8	
21	DS 1012 52	'BAJAJ' Decal	1	Fitted On Cover Comp. RH
21A	DK 1017 38	Decal Clutch Cover	1	from Chs. TCJ14714
22	DS 1012 01	Bearing Needle	1	
23	36 DH10 05	Set Of Plate Cover RH	1	Ref. Page No.103
24	DS 1012 63	Oil Filler Cap	1	



Cover Magneto

No.	Part No.	Description	Qty/Veh.	Remarks
1	DJ 1012 71	Assly. Cover Magneto Comp.	1	
1A	52 DH06 24	Magneto Cover Flower Design	1	from Chs. TCJ14714
	52 DH06 86	Magneto Cover Flower Design MLT Silver	1	from Chs. UCF01001
2	DH 1011 57	Cap Timing Hole	1	
3	39 1283 21	'O' Ring	1	
4	DV 1010 42	Gasket Magneto Cover	1	
5	DS 1013 53	Bolt	5	
6	39 0999 06	Pin Dowel	2	
7	DH 1011 57	Cap Crank Center	1	
8	39 1283 21	'O' Ring	1	Alt To 39 2452 21
9	DJ 1012 68	Cover LH RR	1	
	52 DH06 95	Cover LH RR (MLT Silver)	1	from 03.09.2011
10	36 DH10 06	Set Damper	1	Ref. Page No.103 N.S
11	39 2208 04	Flanged Bolt	4	
12	DH 1013 23	'BAJAJ' Decal	1	Fitted On Cover Magneto
12A	JE 5412 12	Decal Magneto Complete.	1	from Chs. TCJ14714
13	36 DH10 07	Set Of Plate	1	Ref. Page No.103 N.S
14	DJ 1610 12	Gear Shift Label	1	
15	DS 1013 53	Bolt	2	

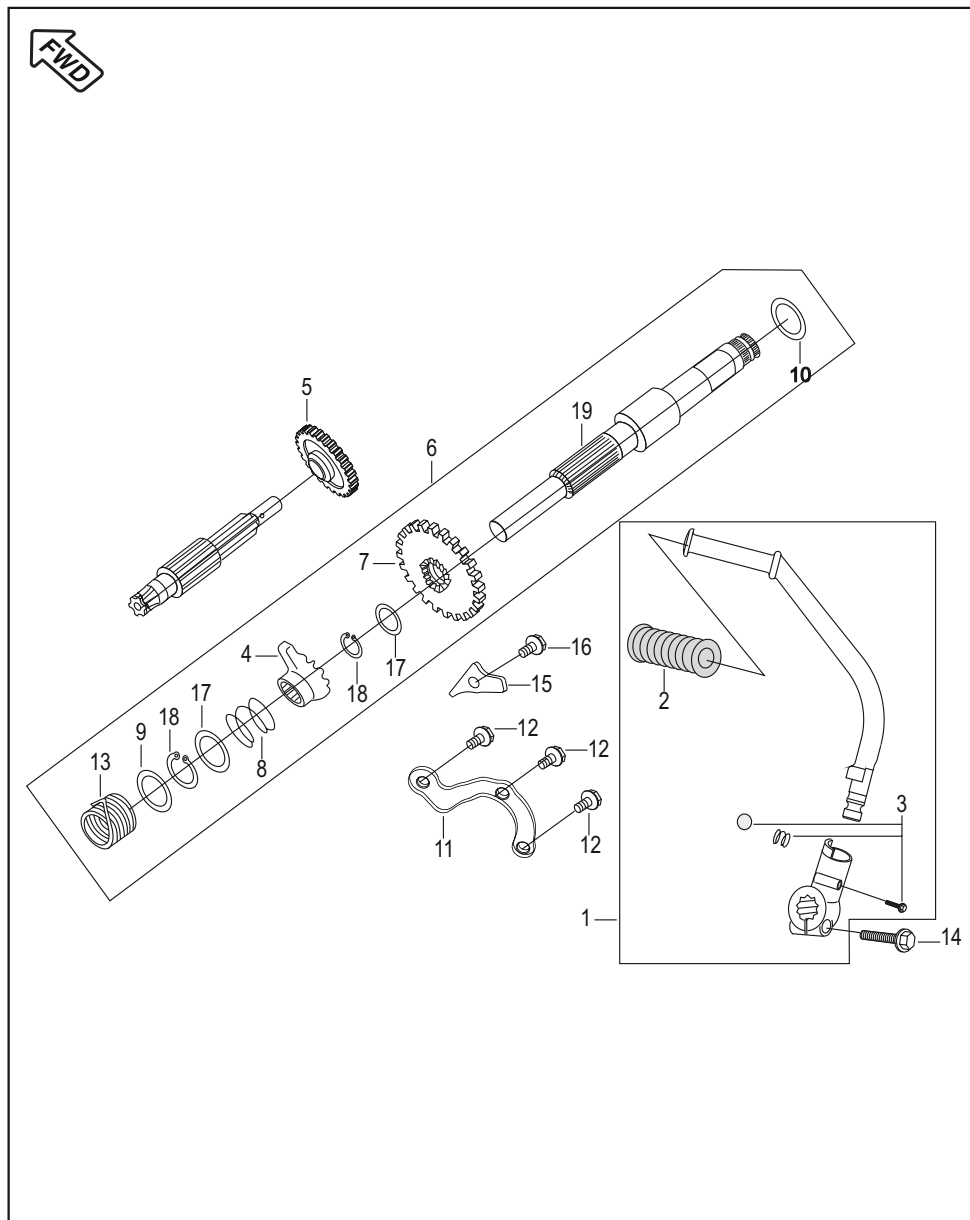


Front Wheel Direction

Clutch

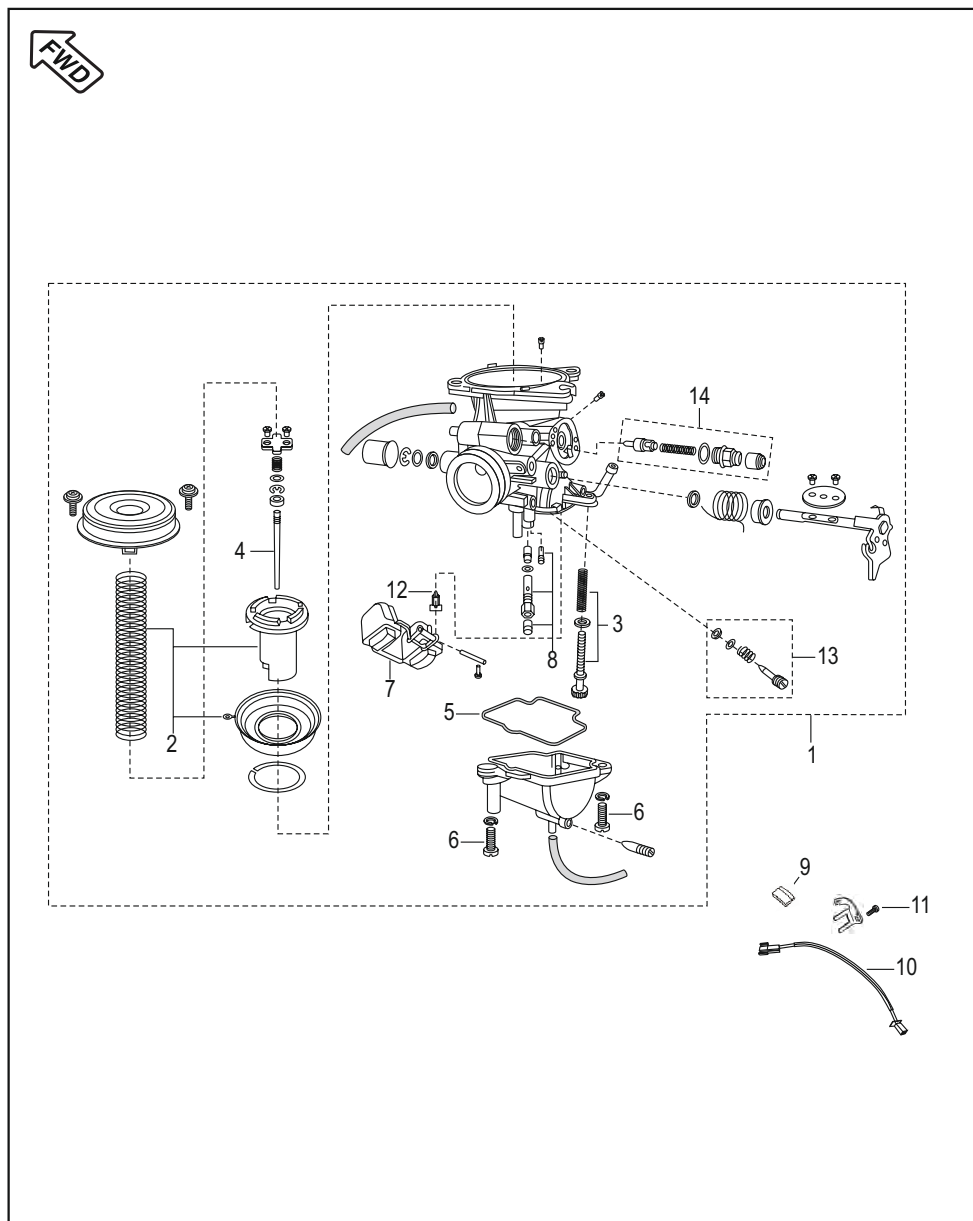
No.	Part No.	Description	Qty/Veh.	Remarks
1	DH 1012 75	Special Nut	1	
2	DH 1018 77	Friction Clutch Plate Kit	1	
	36 DH40 95	Friction Clutch Plate Kit	1	Ref. Cir. IB-195
3	DH 1018 53	Clutch Plate Assly. Complete	1	
	DH 1020 87	Clutch Plate Assly. Complete	1	Ref. Cir. IB-195
4	DH 1018 62	Clutch Center	1	
	DH 1020 92	Clutch Center	1	Ref. Cir. IB-195
5	DK 1015 69	Plate Clutch Pressure	1	
	DH 1020 93	Plate Clutch Pressure	1	Ref. Cir. IB-195
6	DH 1018 77	Clutch Friction Plate Kit	1	
7	DK 1015 65	Plate Clutch	4	
	36 DH40 94	Kit Plate Clutch	1	Ref. Cir. IB-195
8	DH 1018 61	Spring Clutch Capacity	5	
	DH 1020 96	Spring Clutch Capacity	6	Ref. Cir. IB-195
9	39 1674 04	Bolt	1	
10	Dk 1015 74	Bolt	5	
11	39 1880 20	Bearing Clutch Lifter Thrust	1	
12	DK 1015 73	Holder Clutch	1	
	DH 1020 94	Holder Clutch	1	Ref. Cir. IB-195
13	DH 1014 85	Rod Clutch Lifter	1	
14	DK 1011 26	Spacer Clutch	1	
15	DH 1016 48	Nut Primary Drive Lock	1	LH Thread
16	DH 1011 80	Lever Assly. Clutch	1	
	DK 1016 36	Lever Assly. Clutch	1	From Engine No.DHGBSA16533
17	39 2200 11	Washer Primary Drive Gear	1	
18	DK 1015 70	Seat Judder Spring	2	
	DH 1020 98	Plate Anti Judder	1	Ref. Cir. IB-195
19	DK 1015 71	Spring Judder	2	
	DH 1020 97	Spring Judder	1	Ref. Cir. IB-195

Kick Starter Mechanism

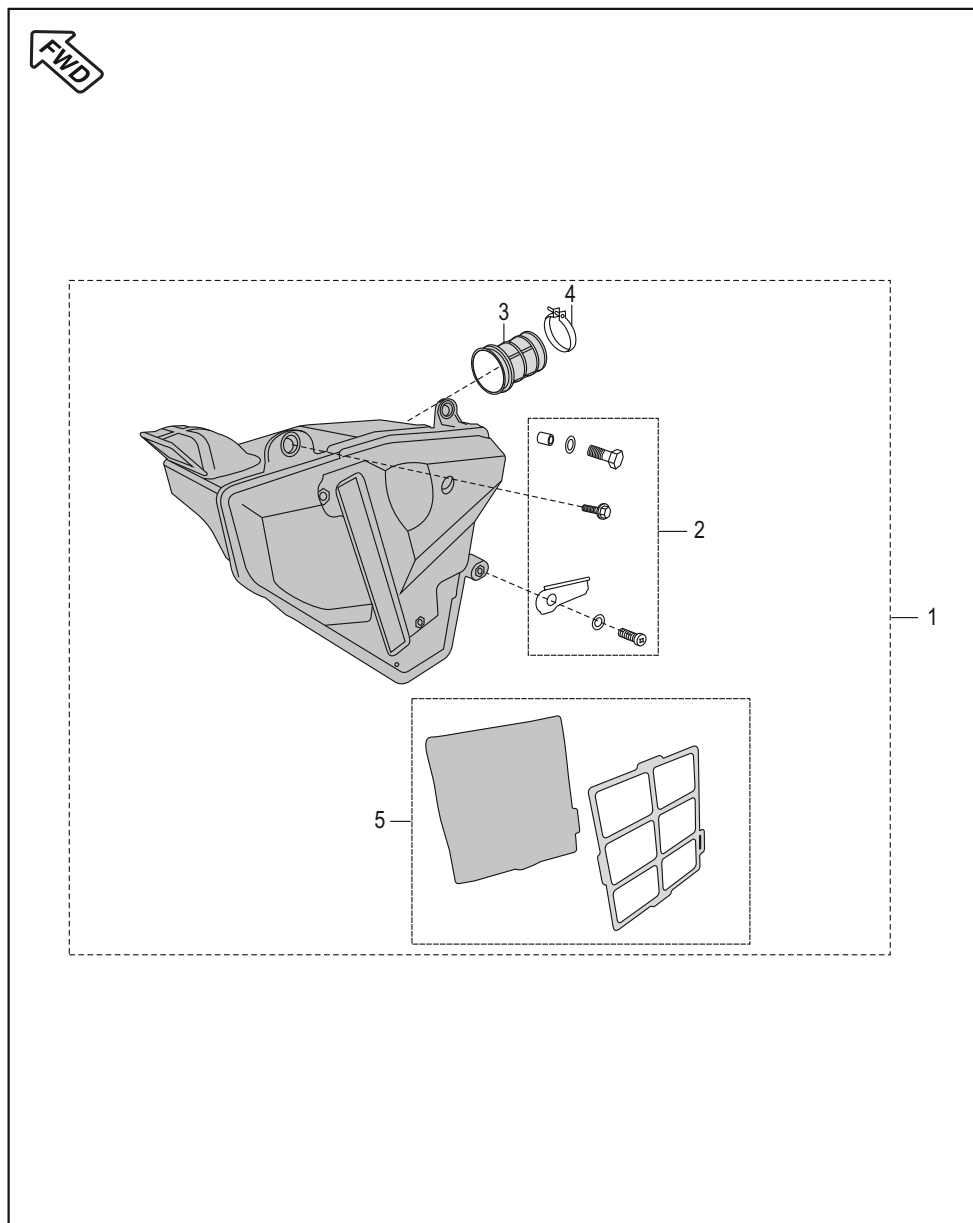


No.	Part No.	Description	Qty/Veh.	Remarks
1	DH 1015 45	Lever Kick Starter Complete	1	
2	DD 1010 97	Damper	1	
3	36 DH10 08	Boss Kick Set	1	Ref. Page No.103
4	DH 1015 37	Ratchet Kick Starter	1	
5	DH 1015 31	Gear Kick Idler	1	
6	DH 1015 40	Spindle Kick Starter Assly	1	
7	DH 1011 23	Pinion Kick Starter	1	N.S
	DH 1013 53	Pinion Kick Starter	1	Alt For. DH101123
8	DH 1011 21	Spring For Kick Starter Ratchet	1	N.S
9	39 0993 11	Washer Thrust	1	
10	39 2344 11	Plain Washer	1	
11	DH 1015 36	Guide Kick	1	
12	DH 1015 40	Bolt Flanged	3	
13	DH 1011 25	Spring Kick Starter Return	1	
14	DH 1013 21	Bolt Flange	1	
15	DH 1015 38	Stopper	1	
16	DH 1013 85	Bolt Flanged	1	
17	39 2276 11	Washer	2	N.S
18	39 0738 17	Circlip	2	
19	DH 1015 39	Spindle Kick Shaft	1	

Carburettor



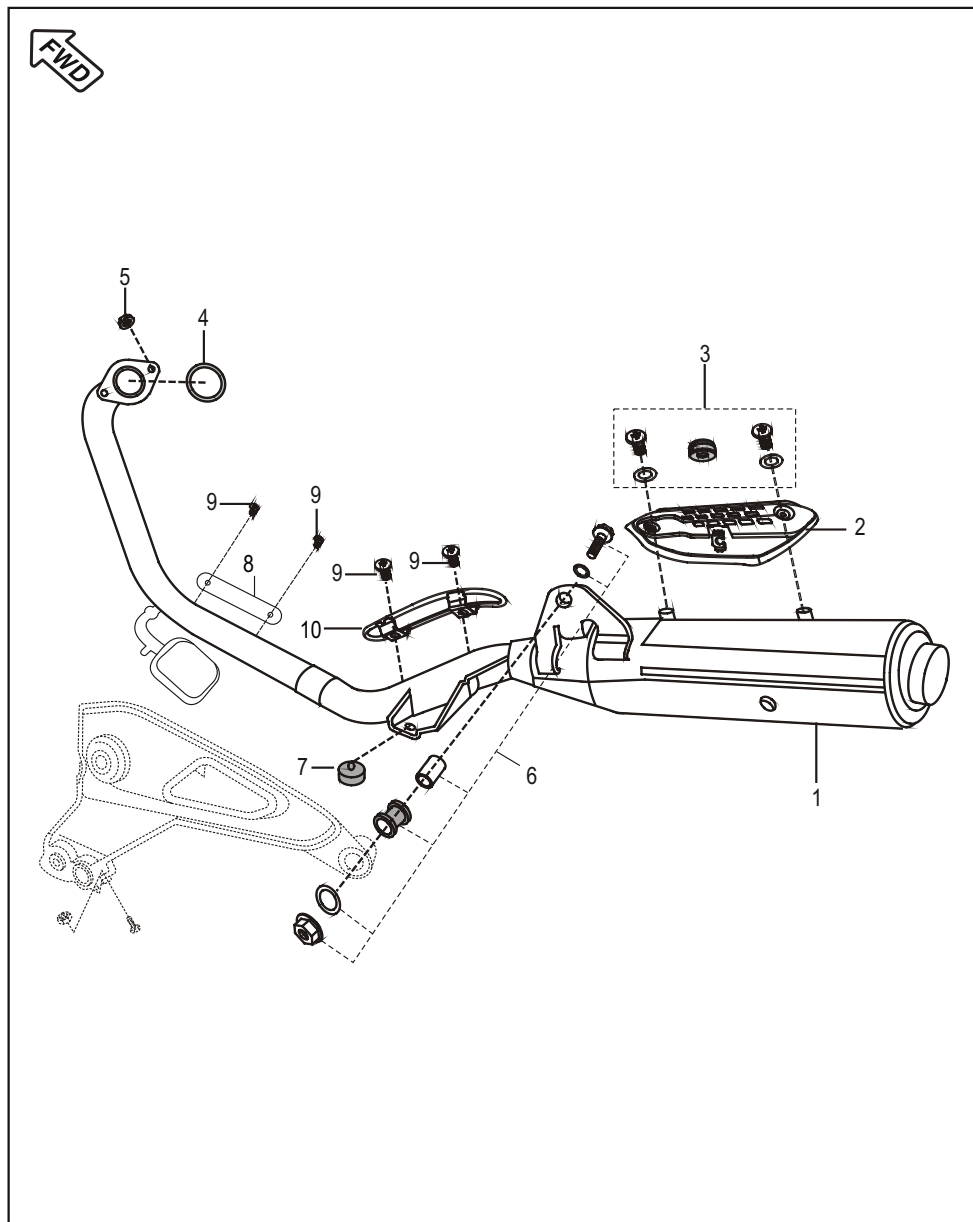
No.	Part No.	Description	Qty/Veh.	Remarks
1	DH 1211 38	Carburetor Assly.	1	Make Keihin
	DH 1211 54	Carburetor Assly. BS29 (K1UG5)	1	frm Eng. BSK88252 Cir. C-21
	DH 1211 88	Carburetor Assly.	1	Ref Cir. IB-101
2	DH 1211 71	Vacuum Piston Kit	1	
3	DH 1211 68	Idling Screw Kit (K1 UG4.5)	1	
4	DH 1211 41	Jet Needle	1	
	DH 1211 73	Jet Needle (K1 UG4.5)	1	frm Eng. BSK88252 Cir. C-21
5	DJ 1210 53	"O" Ring	1	
6	DJ 1210 54	Screw	2	
7	DJ 1210 55	Float Assly.	1	
	DH 1211 62	Float Assly. (K1 UG4.5)	1	frm Eng. BSK88252 Cir. C-21
8	DH 1211 66	Jet Holder Kit (K1 UG4.5)	1	
9	DH 1211 01	Magnet Assly	1	TPS
10	DJ 1210 70	Reed Switch Assly.	1	
11	39 1780 01	Pan Head Screw	2	
12	DH 1210 93	Needle Assly.	1	
13	DH 1211 50	Set Adjuster	1	
14	DJ 1210 59	Set Plunger Assly.	1	
15	DD 1110 46	TPS Assly	1	



Air Cleaner Complete

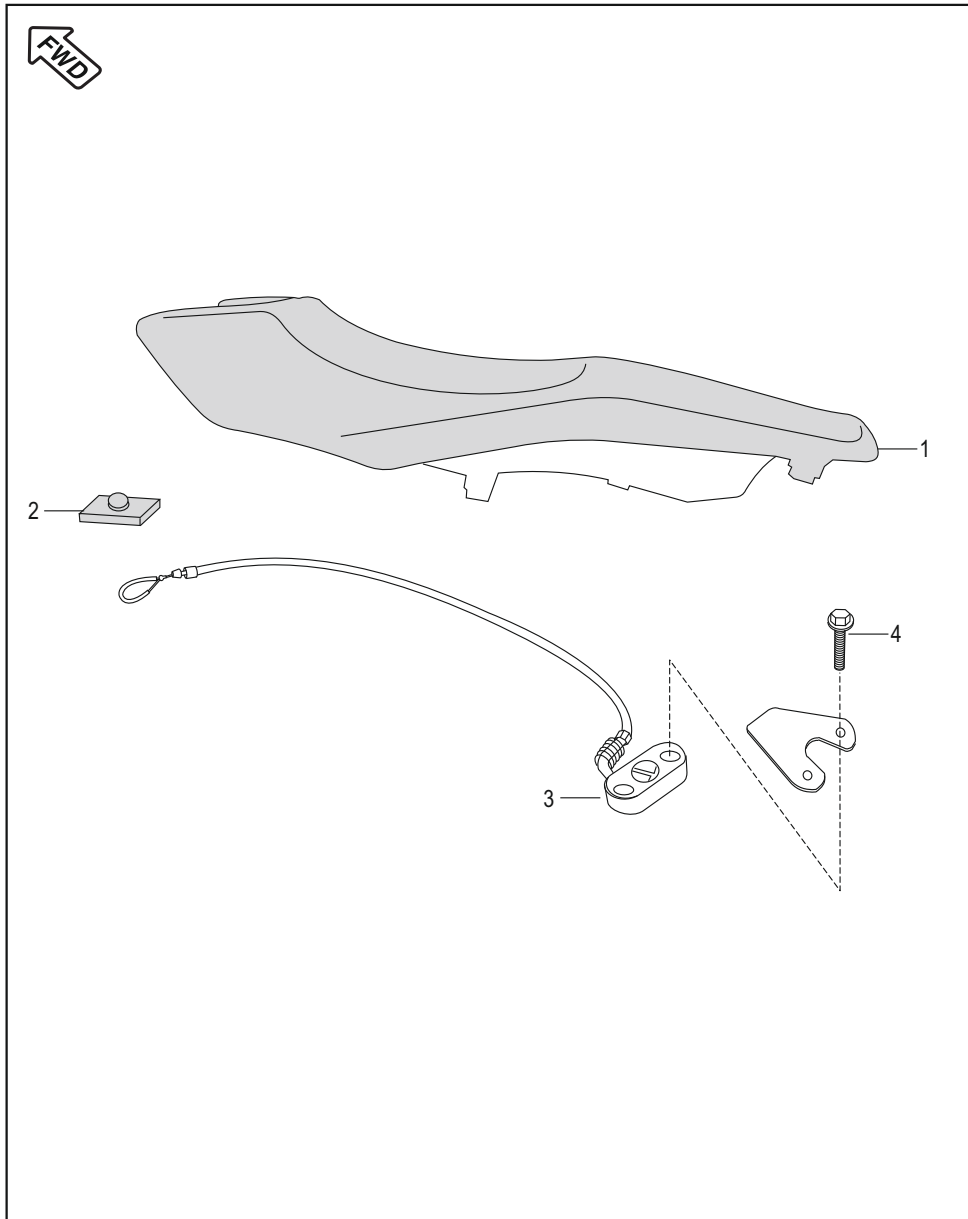
No.	Part No.	Description	Qty/Veh.	Remarks
1	DH 1211 35	Air Cleaner Comp	1	
	DJ 1210 40	Air Filter Assly.	1	frm Eng. BSK88252 Cir. C-21
	DH 1211 78	Air Filter Assly.	1	
	DH 1211 89	Air Filter Assly.	1	Ref Cir IB-101
2	36 DH40 10	Kit Hardware Air Cleaner	1	Ref Page No.103
	DH 1614 16	Bracket Lock	1	Ref. Cir. IB-74
3	DH 1211 32	Connecting Tube	1	
	DJ 1210 39	Tube Connecting(new for DJ-UG4)	1	frm Eng. BSK88252 Cir. C-21
4	AA 1210 45	Clamp	1	frm Eng. BSK88252 Cir. C-21
	DH 1211 90	Clamp	1	Ref. Cir. IB-101
5	36 DK00 15	Kit Element Air Filter	1	Ref Page No.104
6	DK 1210 15	'O' ring Air Filter	1	N.I

Silencer Assembly



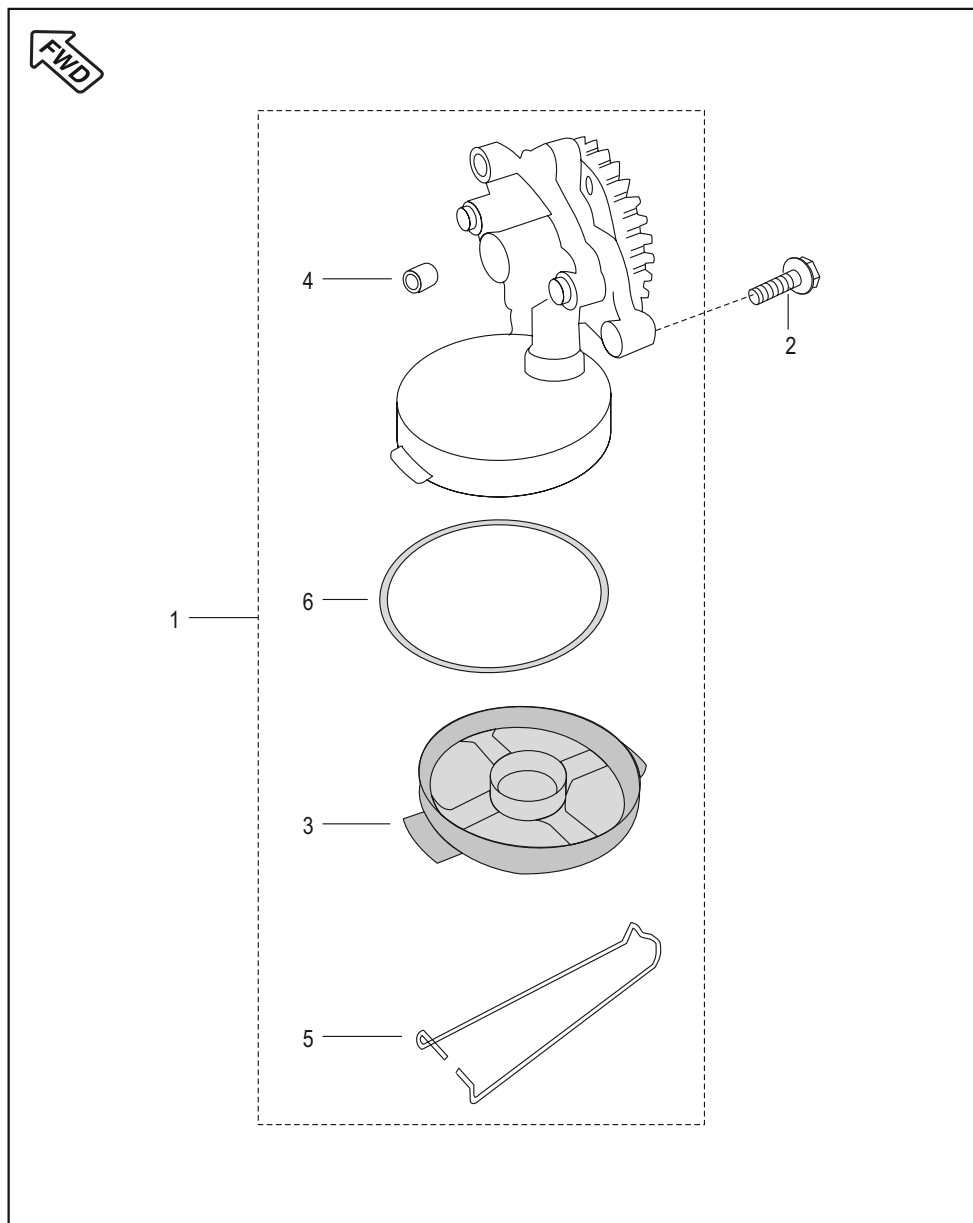
No.	Part No.	Description	Qty/Veh.	Remarks	
1	DJ 1012 43	Silencer Assly. With Cat	1	N.S	
	36 DH40 53	Silencer Assly. With Cat	1	Alt. For DJ 1012 43	
	DJ 1012 59	Silencer Assly. (Non Cat)	1	N.S	
	DH 1019 26	Silencer Assly. W/O Shields (NS)	1	from Eng. BSK88252 Cir. C-21	
	36 DH40 53	Silencer Assly. With Cat	1	Alt. For DH 1019 26	
2	DH 1014 68	Shield Muffler	1		
	DH 1021 39	Shield Muffler	1	Ref. Cir. IB-157	
3	36 DH40 11	Kit Hardware Shield	1	Ref Page No.104	
4	DJ 1010 64	Gasket Exhaust	1		
5	39 1970 15	Flanged Nut	2		
6	36 DK00 09	Kit Hardware Silencer	1	Ref Page No.104	
7	DG 1611 24	Damper (main Stand)	1		
8	DH 1015 21	Wire Shield Assly.	1		
9	DH 1016 07	Truss Screw	4		
	10	DH 1017 59	Shield Tube	1	
		DH 1016 08	Shield Tube	1	Alt for DH101759

Seat Assembly / Seat Lock



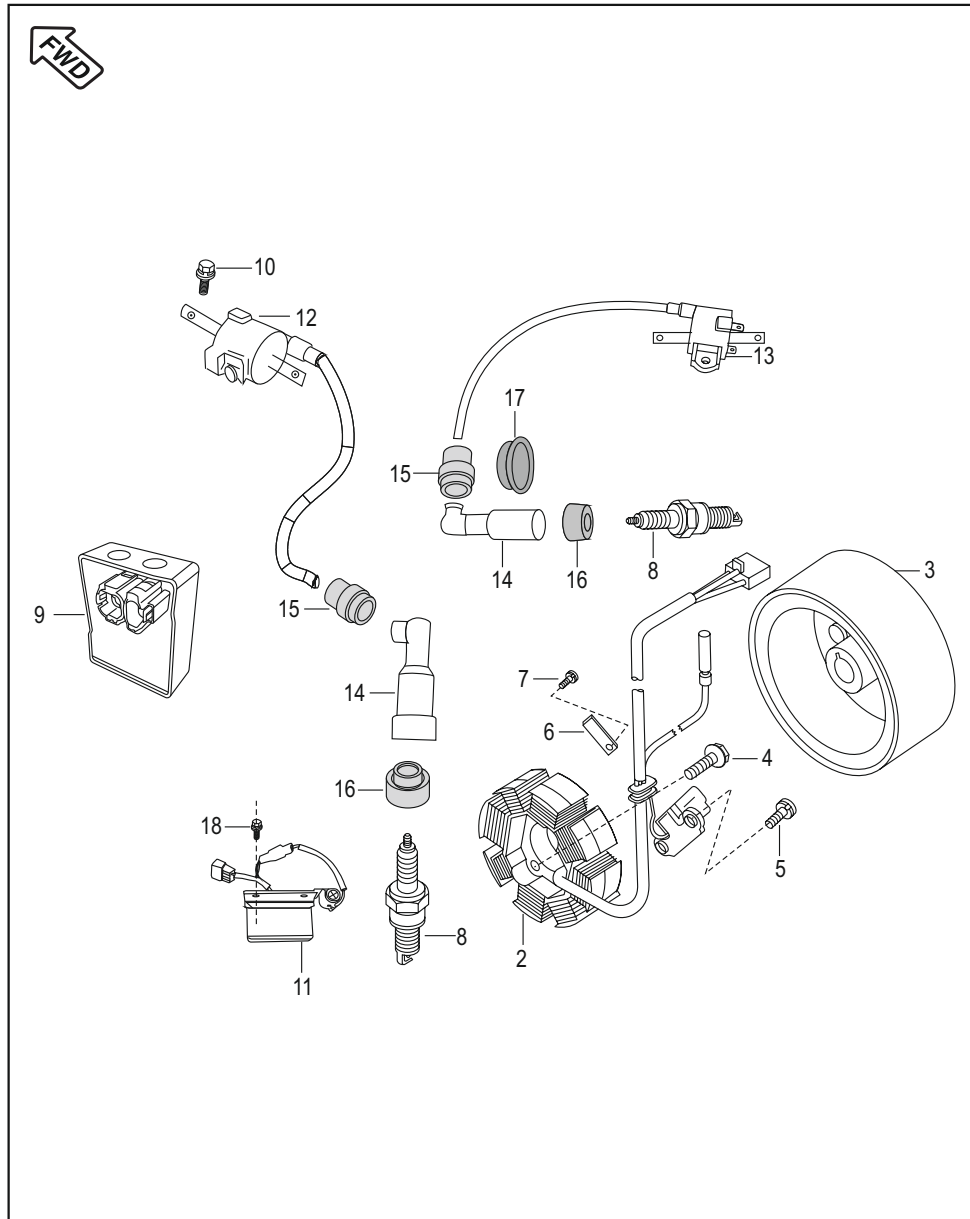
No.	Part No.	Description	Qty/Veh.	Remarks
1	DJ 2110 03	Seat Assly Comp	1	
2	DK 2110 07	Damper Kit	1	
3	DJ 2110 06	Lock Assly Seat	1	
4	39 1902 04	Flanged Bolt	2	

Oil Pump

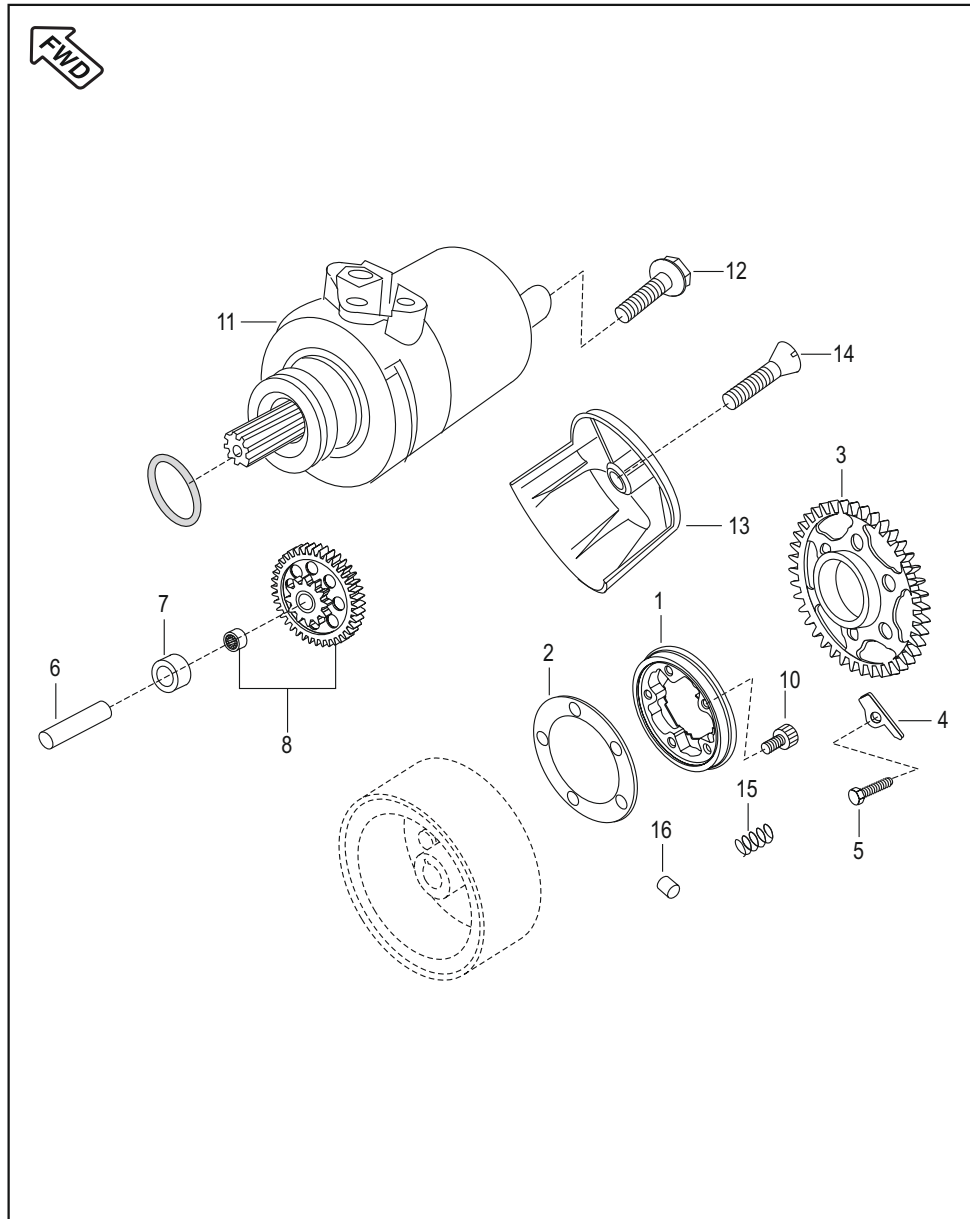



No.	Part No.	Description	Qty/Veh.	Remarks
1	52 DH001 69	Oil Pump Assly	1	
2	39 1674 04	Hex. Bolt With Flange	3	
3	DH 1210 10	Mesh Filter Oil Pump	1	
4	39 1686 06	Hollow Dowel Pin	1	
5	DH 1210 35	Clip Mesh Oil Filter	1	
6	39 2194 21	'O' Ring	1	

Magneto, CDI & H.T. Coil



No.	Part No.	Description	Qty/Veh.	Remarks
1	59 1000 02	Spring Dowel Sleeve	1	N.I.
2	DH 1110 81	Stator Assly. Comp	1	
3	DH 1110 83	Rotor Assly.	1	
4	DH 1013 86	Hex. Bolt With Flange	2	
5	DH 1013 81	Pan Head Screw	2	
6	DH 1011 99	Stopper Plate (wiring Harness)	1	
7	DH 1013 80	Screw Pan Head	1	
8	DG 1110 08	Spark Plug	2	
9	DH 1110 72	C.D.I. Assly.	1	
10	39 1944 04	Flange Bolt	4	
11	DJ 2012 02	DC Regulator With Capacitor	1	With Aluminum Bracket
12	DH 1110 77	H.T. Coil LH With Cable	1	
13	DH 1110 78	H.T. Coil RH With Cable	1	
14	DH 1110 15	Cap Spark Plug	2	
15	DD 1110 12	Grommet H.T. Cable	2	
16	DH 1110 13	Grommet Spark Plug Cape	2	
17	DH 1110 16	Grommet Sleeve Spark Plug	1	
18	DD 2010 24	Flange Bolt	2	

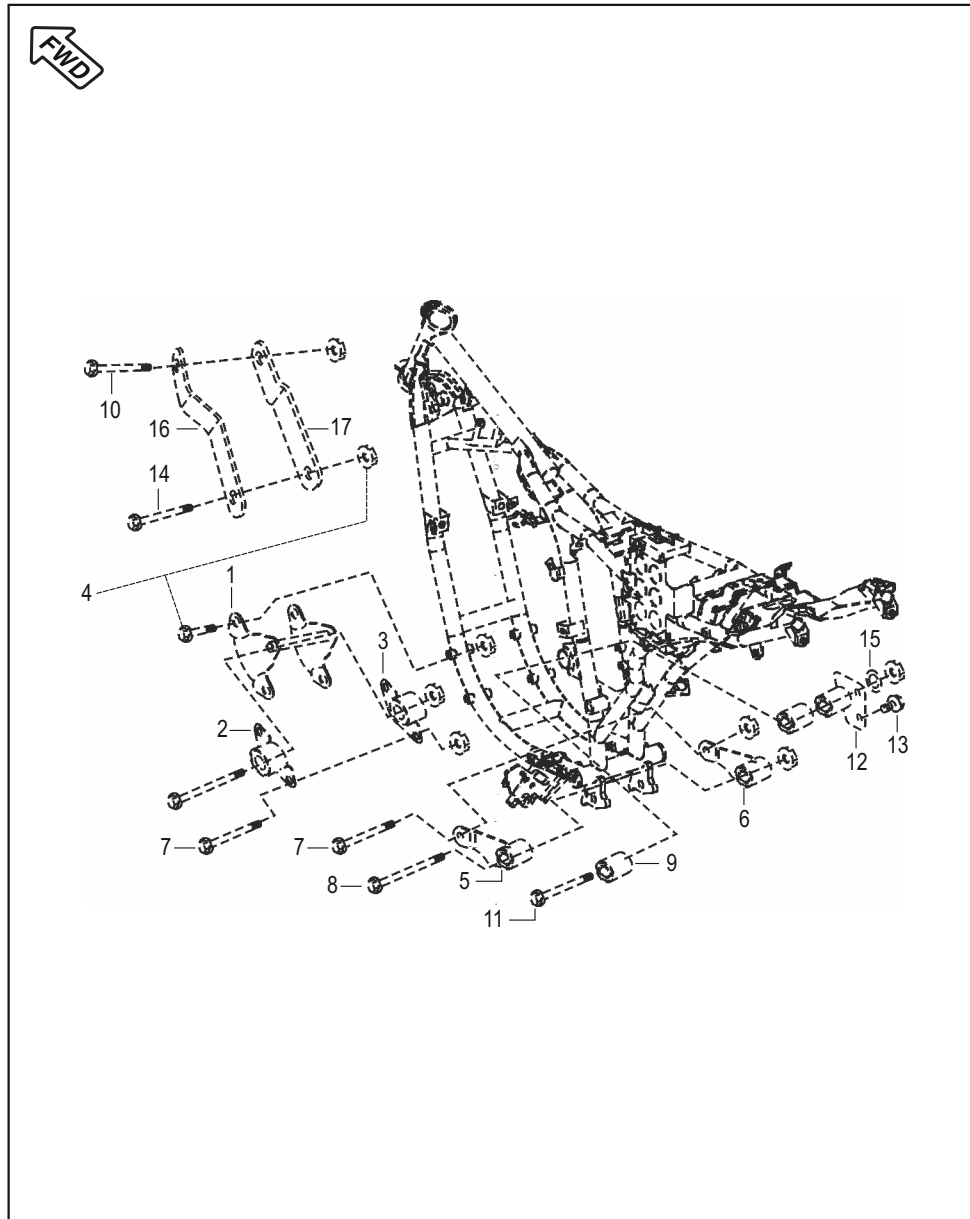


 Front Wheel Direction

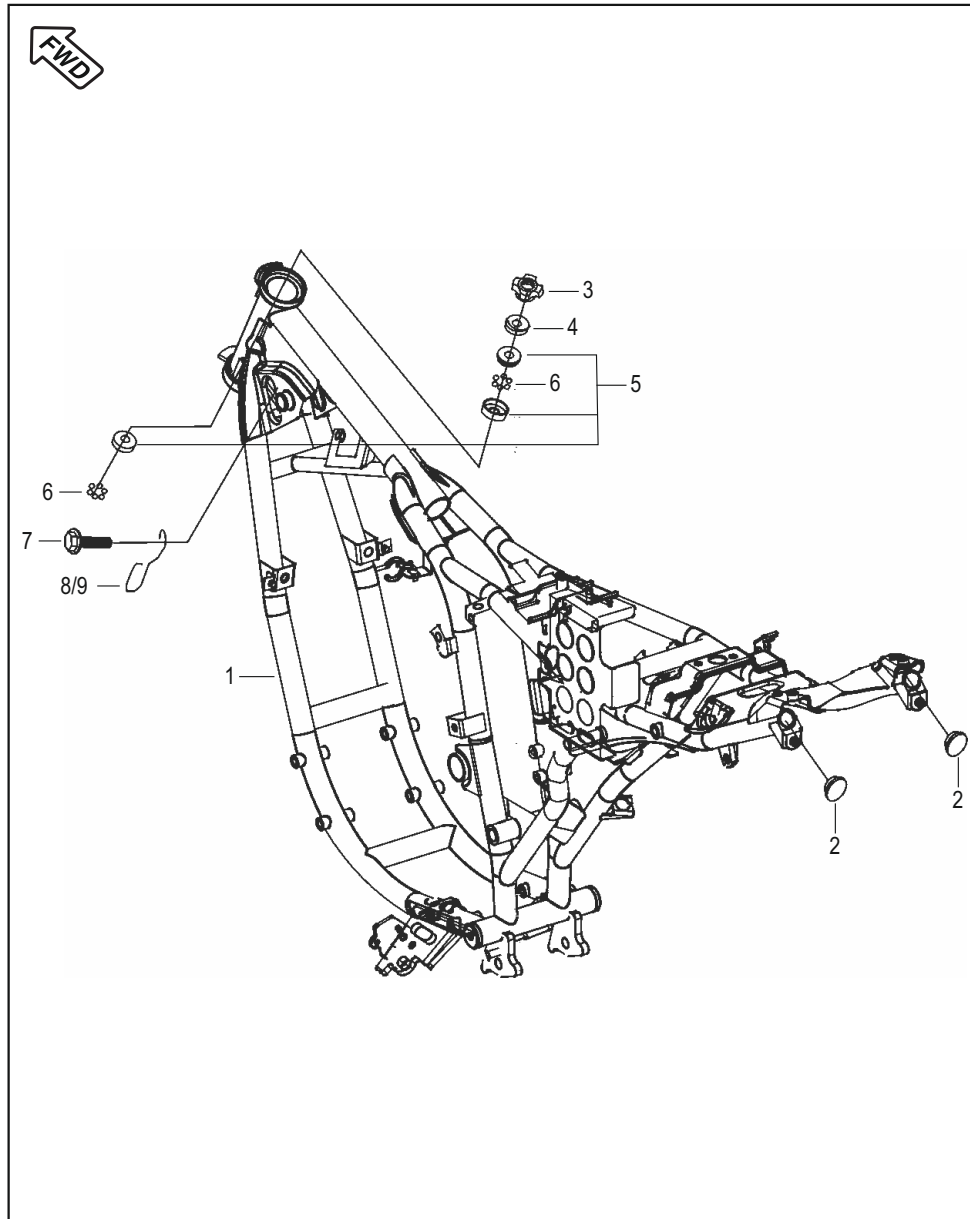
Starter Assembly (For Self Start)

No.	Part No.	Description	Qty/Veh.	Remarks
1	36 DK00 76	Kit Body Comp. Starter Clutch	1	
2	DK 1016 05	Plate Roller Clutch	1	
3	JC 1011 14	Gear Starter Clutch	1	
4	DH 1015 81	Plate Starter Clutch Gear Return	1	
5	DH 1013 85	Bolt	1	For Stopper Plate
6	DK 1011 76	Shaft Starter Counter	1	
7	DH 1011 72	Collar Starter Counter	1	
8	JC 1011 15	Gear Comp. Starter Counter Assly.	1	
9	59 2000 07	Needle Roller Bearing	1	
10	39 0972 04	Bolt Socket	3	N.I.
11	DH 1110 84	Motor Assly. Starter	1	
12	DS 1013 53	Bolt	2	
13	DJ 1012 78	Cover Starter Motor	1	N.S
	52 DH01 53	Cover Starter Motor	1	Alt. For DJ101278
	DK 1017 70	Cover Starter Motor (MLT Silver)	1	from Chs. UCF01001
14	DH 1013 89	Slotted C'sunk Screw	1	
15	DK 1015 96	Spring	5	
16	DH 1011 63	Roller	5	

Engine Mountings



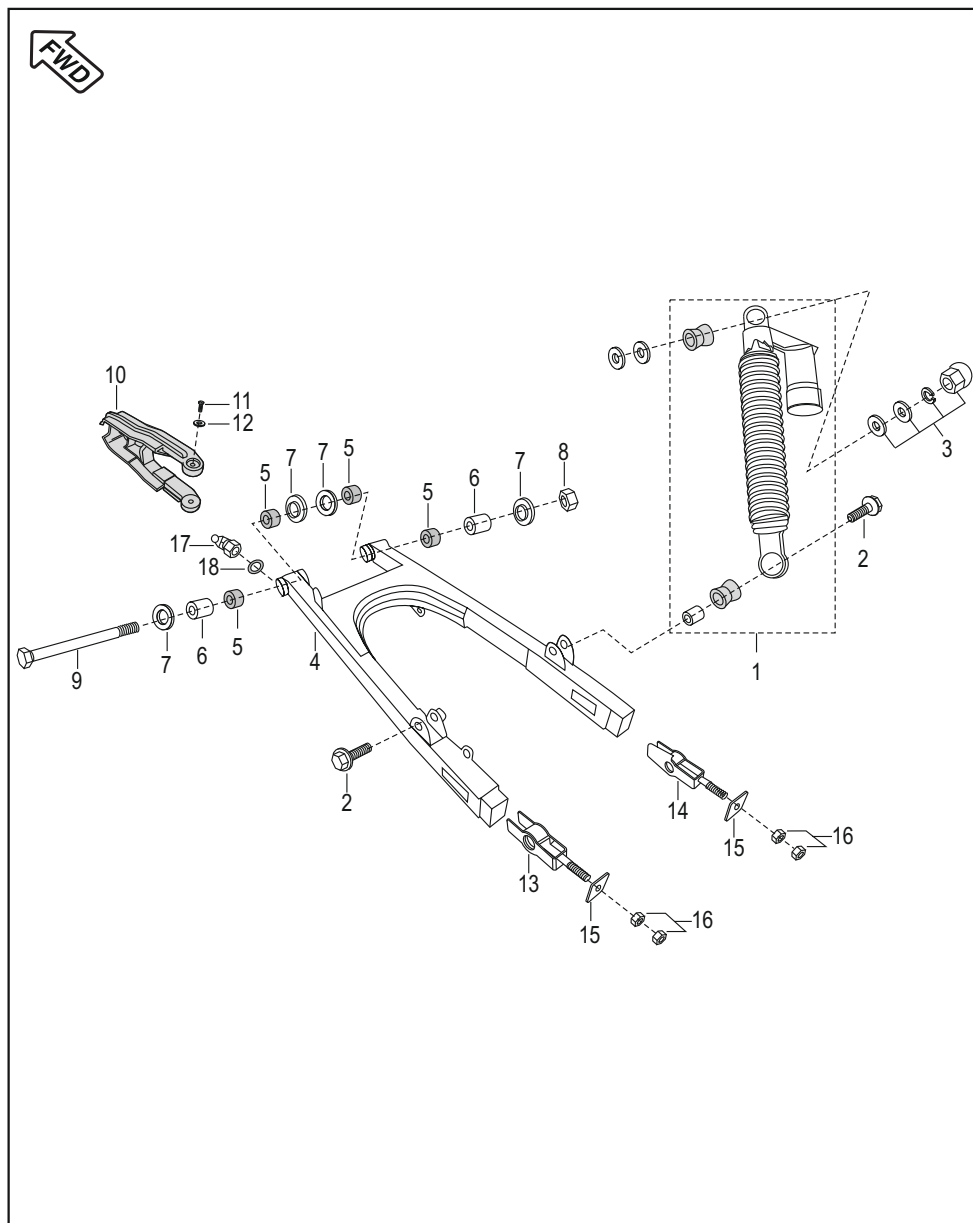
No.	Part No.	Description	Qty/Veh.	Remarks
1	DH 1611 70	Bkt. Assly.eng.mtg.front	1	
2	DH 1612 68	Bkt. Comp.LH Eng.mtg.front	1	N.S
3	DH 1612 69	Bkt. Comp.RH Eng.mtg.front	1	N.S
4	36 DK00 11	Kit Hardware Eng. Mounting	1	
5	DJ 1611 14	Bkt. Comp. LH Eng.mtg. Lower	1	
6	DJ 1611 15	Bkt. Comp. RH Eng.mtg. Lower	1	
7	39 2157 04	Bolt Flanged	3	
8	39 2412 04	Bolt Flanged	1	
9	DH 1612 73	Bush In Frame	1	N.S
10	39 1967 04	Bolt	1	
11	39 2414 04	Hex.soc.HD.cap Bolt	1	
12	DH 1613 01	Bkt.comp.RH Eng.rear	1	
13	39 2310 04	Flanged Bolt	2	
14	39 2412 04	Bolt	1	
15	39 2457 11	Washer	1	
16	DJ 1610 88	Bracket LH Engine Hanger	1	
17	DJ 1610 89	Bracket RH Engine Hanger	1	



Frame and Frame Fittings

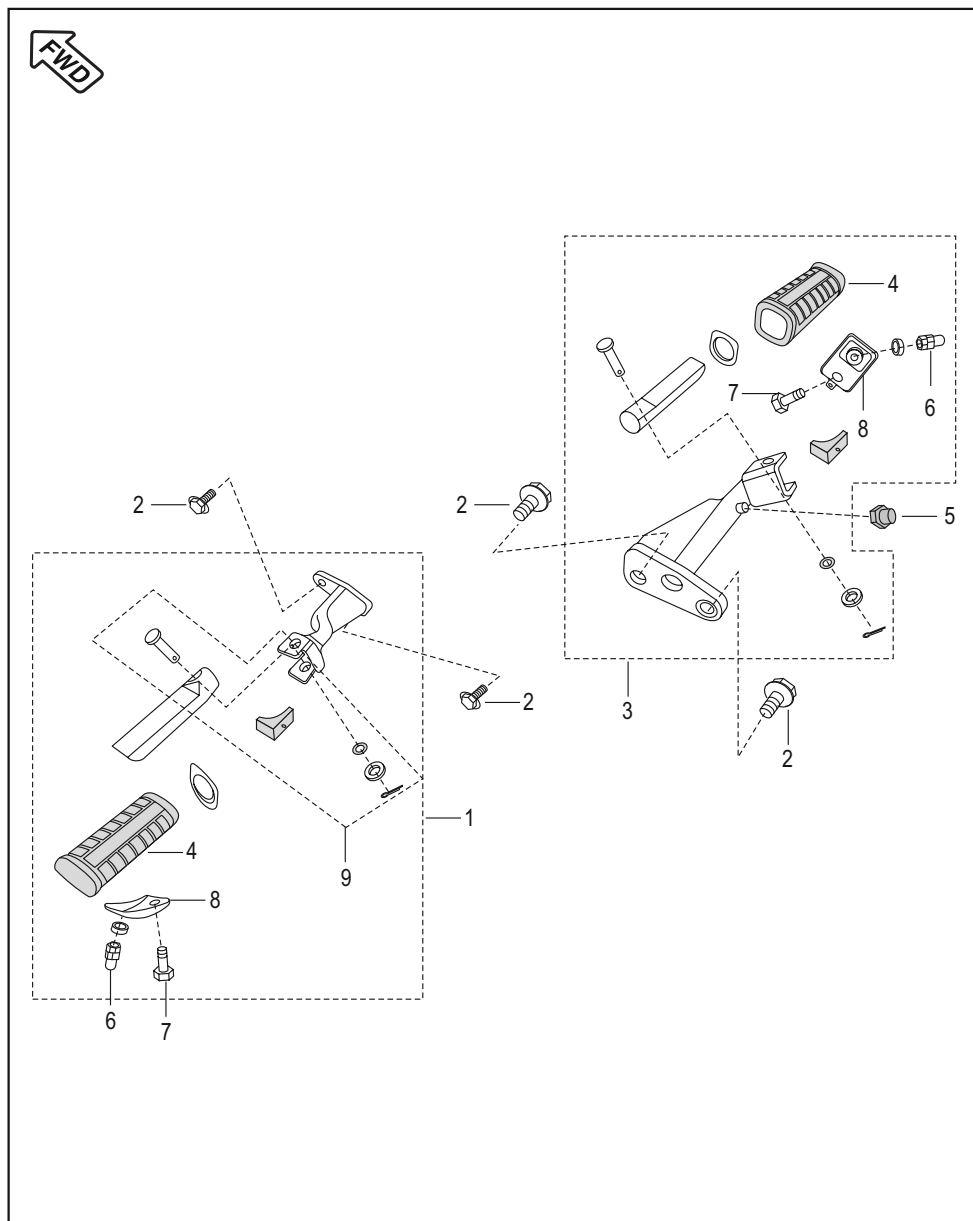
No.	Part No.	Description	Qty/Veh.	Remarks
1	DH 1613 21	Frame Assly. Comp.	1	N.S
2	DH 1611 12	Cup Rear	2	
3	30 1810 11	Nut	1	
4	DH 1810 14	Cup - Steering	1	
5	36 DS18 02	Bearing Cone Kit	1	Refer Page No.102
6	DJ 1811 15	Ball Steel With Cage	46	
7	39 1680 04	Flanged Bolt	2	
8	DJ 1611 32	Cable Hook LH	1	
9	DJ 1611 33	Cable Hook RH	1	
10	DJ 1410 08	Damper Front	2	Fuel Tank Mtg. (N.I.)
11	DD 1910 15	Rubber Clutch Cable Clamp	1	(N.I.)

Swing Arm / Rear Shock Absorber



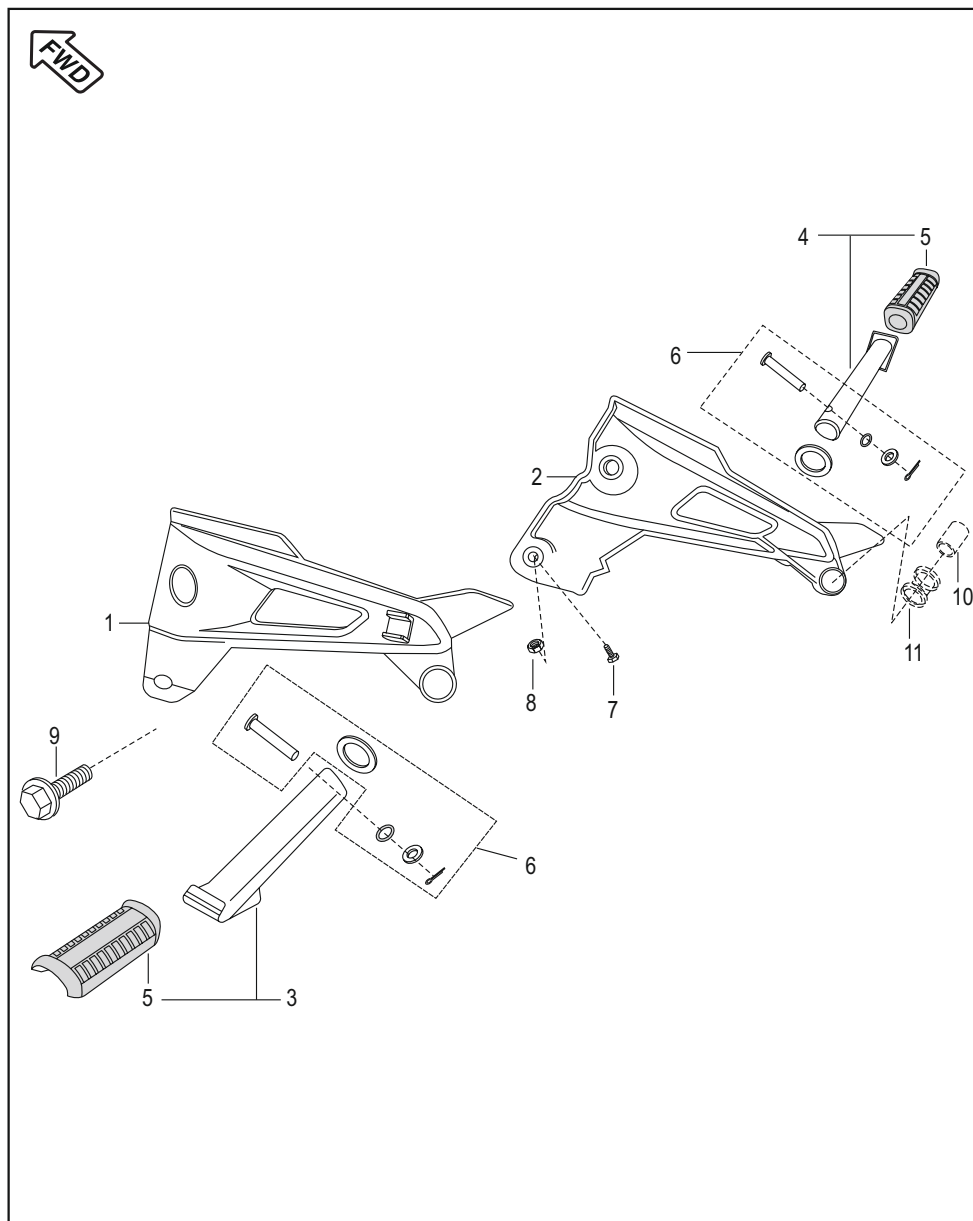
No.	Part No.	Description	Qty/Veh.	Remarks
1	DH 1710 23	Rear Shock Absorber	2	
2	DG 1710 38	Bolt Pre-coated	2	
3	36 DK00 12	Kit Bush Rear Shock	1	
4	DJ 1710 32	Swing Arm Assly.	1	
5	DH 1710 14	Bush Swing Arm	4	
6	DH 1710 13	Collar Swing Arm	2	
7	DH 1710 15	Dust Seal Swing Arm	4	
8	DH 1710 19	'U' Nut Swing Arm	1	
9	DH 1710 12	Shaft Swing Arm	1	
10	DJ 1710 08	Chain Slider	1	
11	39 0553 02	Screw	2	
12	39 0454 11	Plain Washer	2	
13	DJ 1510 36	Adjuster Chain LH	1	
14	DJ 1510 37	Adjuster Chain RH	1	
15	DJ 1510 47	Plate Chain Adjuster	2	
16	39 0292 15	Hexagon Nut	4	
17	35 1710 33	Grease Nipple	2	
18	39 0740 11	Plain Washer (nylon)	2	

Rider Foot Rest



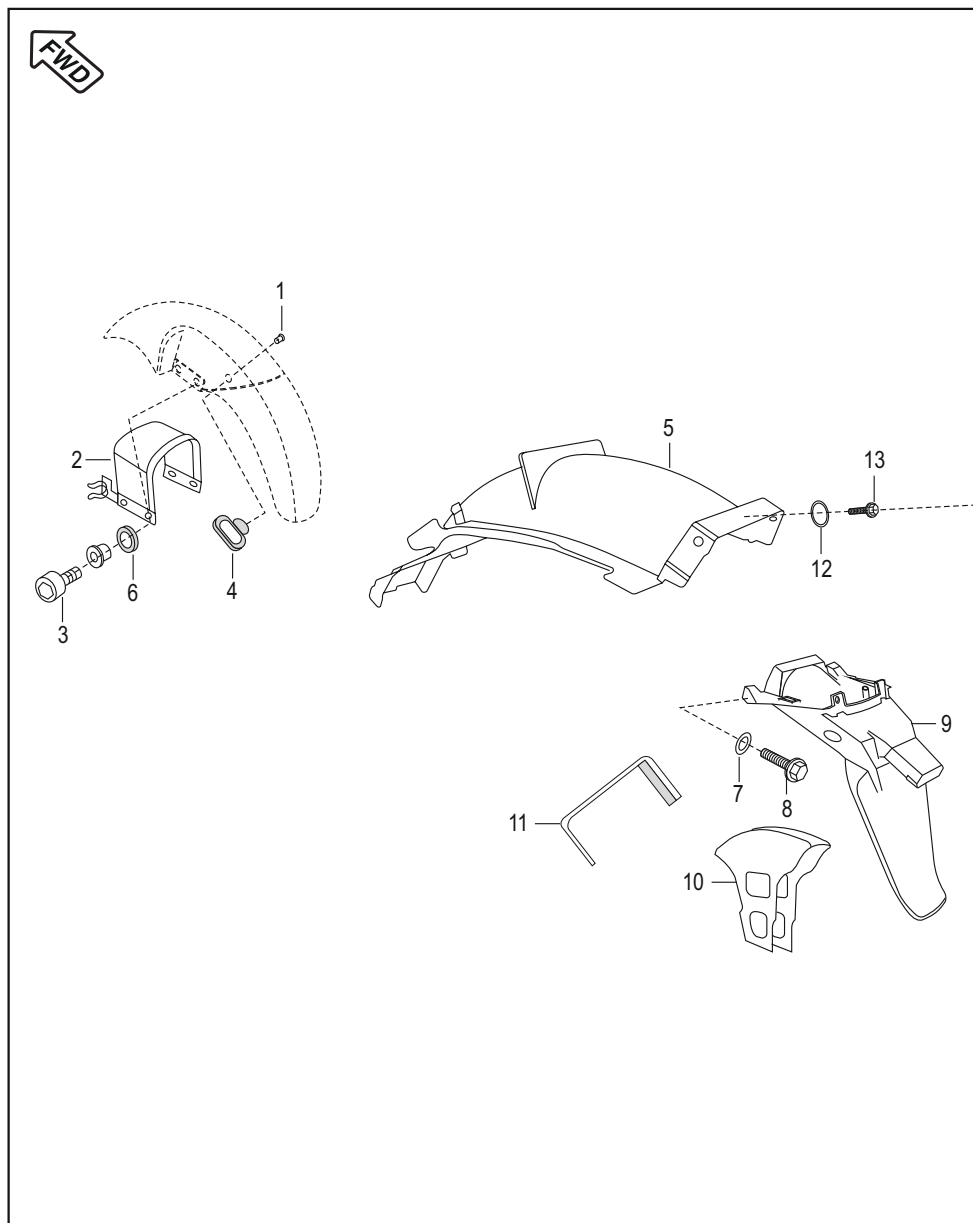
No.	Part No.	Description	Qty/Veh.	Remarks
1	DJ 1611 30	Main Step LH Assly. Comp.	1	
2	39 2310 04	Flange Bolt	4	
3	DJ 1611 31	Main Step RH Assly. Comp.	1	
4	DH 1610 53	Rubber Main Step	2	
5	DH 1611 94	Kick Stopper	1	
6	39 1282 15	Domed Cap Nut	2	
7	22 1504 51	Bolt Hexagon Head	2	
8	DH 1610 56	Plate Coml. Low Main step	2	
9	36 DK00 13	Kit Hardware Main Step	2	

Pillion Foot Rest / Holder



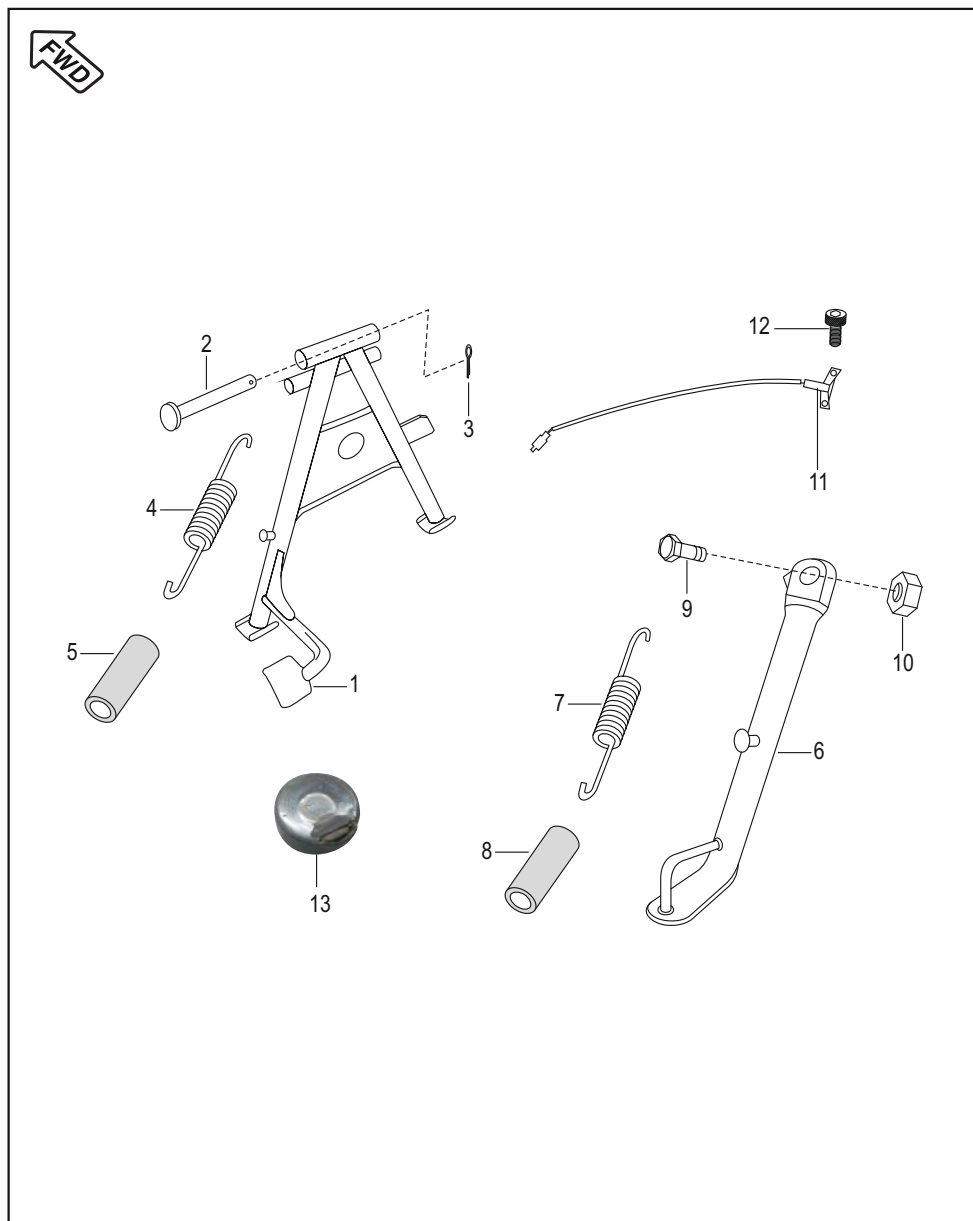
No.	Part No.	Description	Qty/Veh.	Remarks
1	DJ 1612 56	Holder Step LH	1	
	DH 1614 04	Holder Step LH (MLT Silver)	1	from Chs. UCF01001
2	DJ 1612 57	Holder Step RH	1	
	DH 1614 05	Holder Step RH (MLT Silver)	1	from Chs. UCF01001
3	DJ 1611 28	Pillion Step Assly. Comp. LH	1	
4	DJ 1611 29	Pillion Step Assly. Comp. RH	1	
5	DJ 1611 22	Rubber Pillion Step	2	
6	36 DK00 13	Kit Hardware Pillion	2	Ref Page No.104
7	39 1069 01	Hexagonal Head Screw	2	
8	39 0292 15	Nut	1	
9	39 2582 04	Flanged Bolt	2	
10	DH 1611 57	Tube Silencer Mtg.	1	
11	DH 1611 55	Damper Silencer Mtg.	1	

Mudguard - Front & Rear



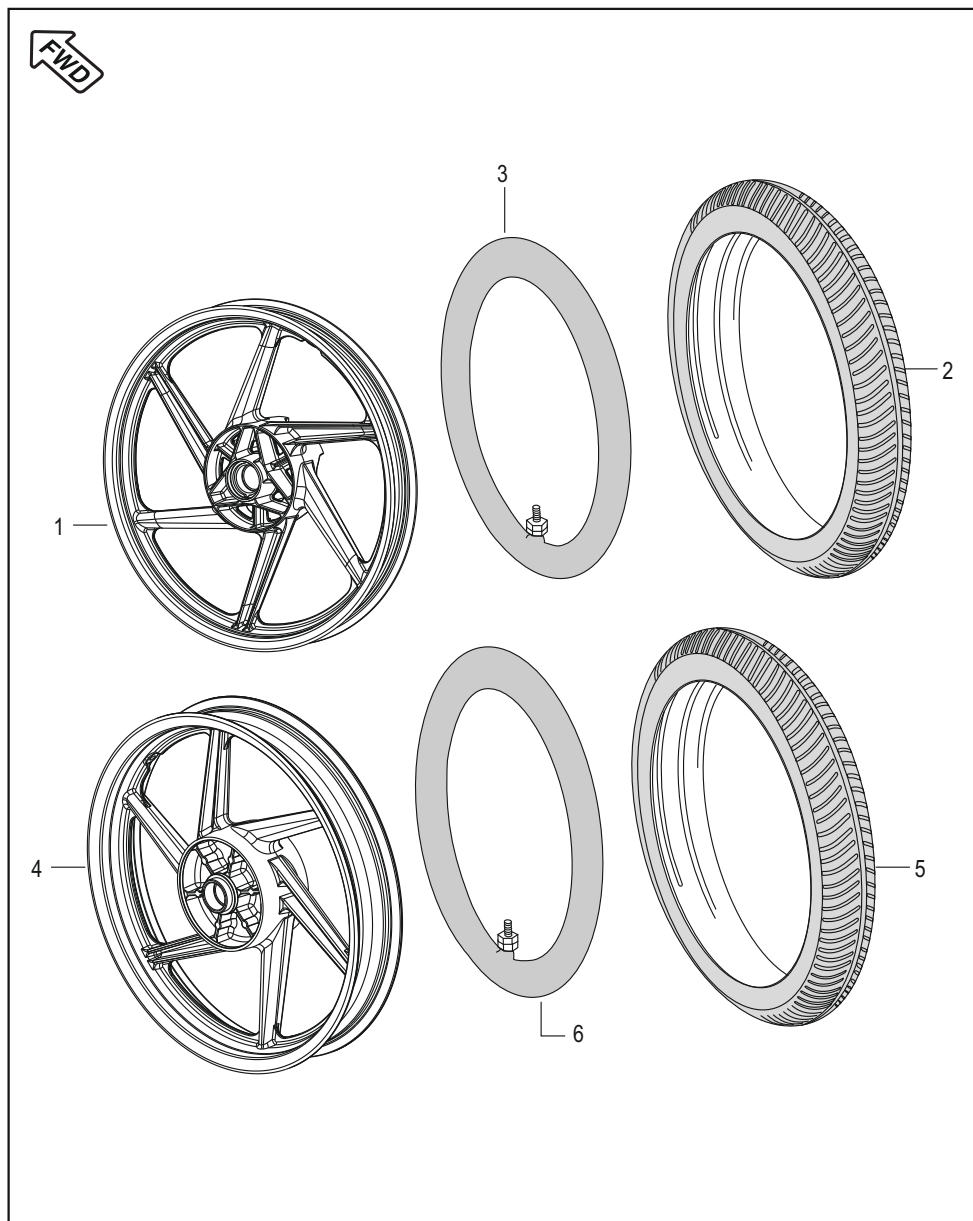
No.	Part No.	Description	Qty/Veh.	Remarks
1	DJ 1610 69	Nail For Cable Guide	1	
2	DH 1612 58	Brace Fender	1	
3	DG 1810 08	Socket Bolt	4	Fender Front
4	DS 1611 25	Clamp	1	For Cables
5	DJ 1612 55	Fender Rear Front	1	
6	DJ 1610 91	Grommet Front Fender	4	
7	39 0711 11	Plain Washer	4	
8	39 1680 04	Flange Bolt	2	
9	DJ 1612 54	Fender Rear	1	
10	36 DS40 02	Guard Kit	1	
11	DJ 1612 72	Support Assly For Rear Fender	1	
12	39 0211 11	Plain Washer	2	
13	39 1672 04	Flange Bolt	2	

Stand Assembly



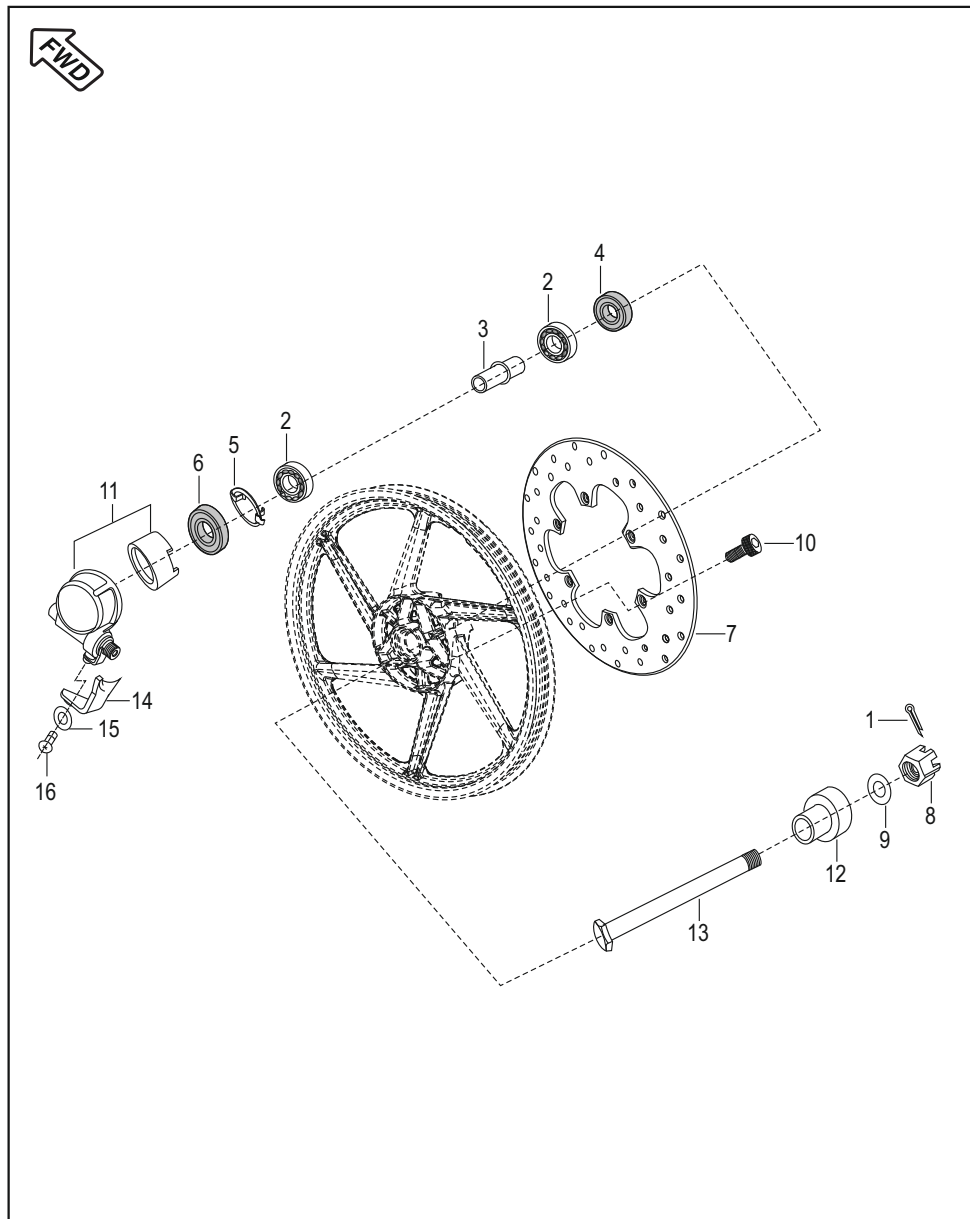
No.	Part No.	Description	Qty/Veh.	Remarks
1	DJ 1612 14	Stand Main	1	
2	30 1611 57	Shaft Stand	1	
3	39 0787 08	Pin Cotter	1	
4	DH 1611 21	Spring Main Stand	1	
5	DH 1611 45	Cover Spring Main Stand	1	
6	DJ 1612 18	Stand Side	1	
7	DH 1610 66	Spring Side Stand	1	
8	DH 1611 46	Cover Spring Side Stand	1	
9	DF 1611 02	Bolt	1	
10	39 0422 15	Nut	1	
11	JC 2010 39	Side Stand Switch	1	
12	39 2060 04	Bolt	1	
13	DJ 2011 06	Magnet Assly.	1	
14	DH 1613 02	Bracket Side Stand Switch	1	N.I. N.S

Tube / Tyre / Rim



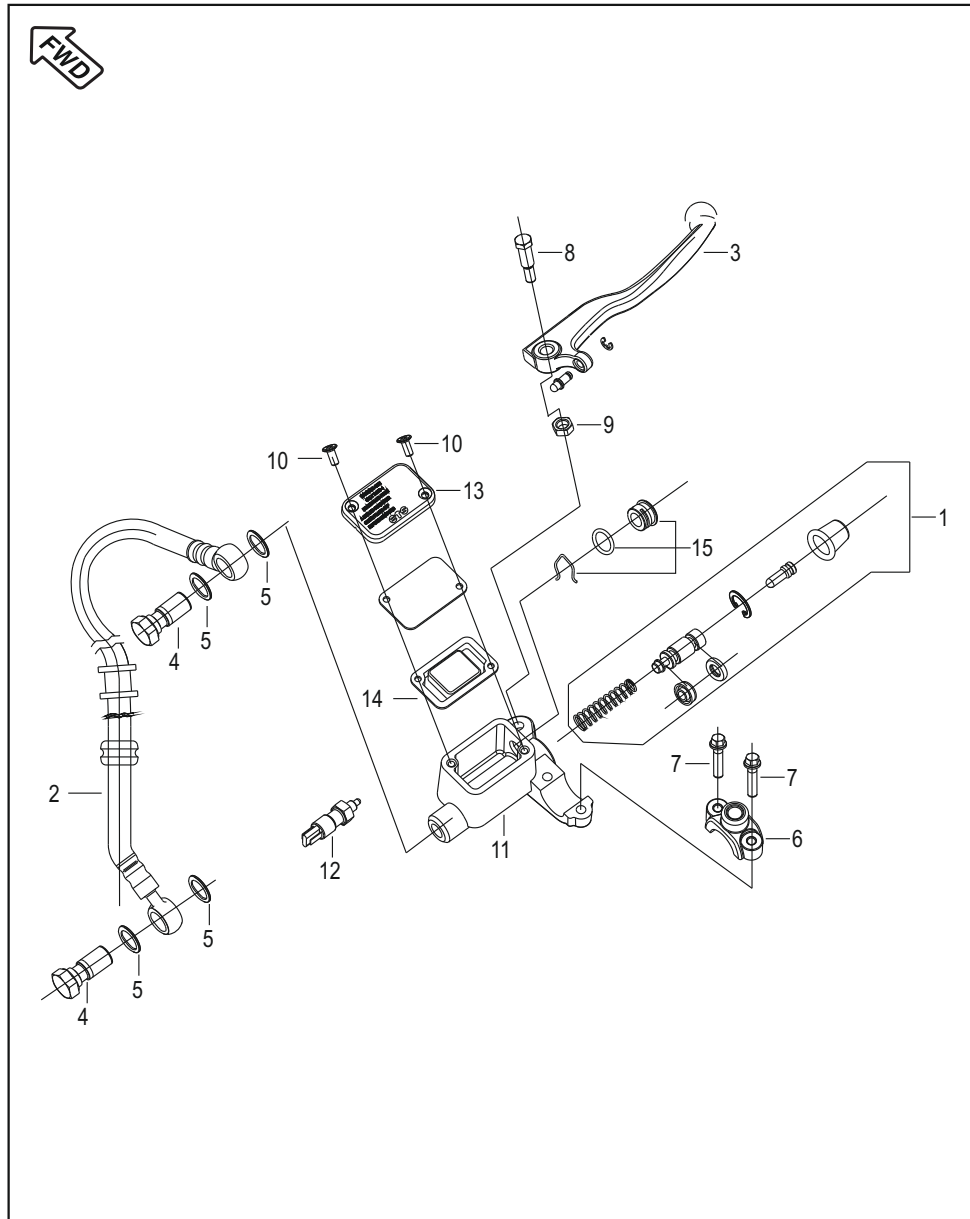
No.	Part No.	Description	Qty/Veh.	Remarks
1	DJ 1510 77	Wheel Rim Front (1.6 X 17 DC)	1	
	DH 1510 77	Wheel Rim Front (1.6 X 17 DC)	1	EC-U14DHCHA0183
2	DS 1510 48	Tyre Front	1	Non Serviceable
	JF 1310 10	Tyre Front Tubeless	1	EC-U14DHCHA0183
3	DS 1510 49	Tube Front	1	Non Serviceable
	DK 1510 26	Valve Tubeless tyre	1	EC-U14DHCHA0183
4	DJ 1510 87	Wheel Rim Rear	1	
	DH 1510 79	Wheel Rim Rear	1	EC-U14DHCHA0183
5	DS 1510 31	Tyre Rear	1	Non Serviceable
	JF 1312 11	Tyre Rear Tubless	1	EC-U14DHCHA0183
6	DS 1510 29	Tube Rear	1	Non Serviceable
	DK 1510 26	Valve Tubeless Tyre	1	EC-U14DHCHA0183
7	DS 1510 47	Tyre with Tube Front	1	
8	DS 1510 30	Tyre with Tube Rear	1	

Front Hub (For Drum Brake System)



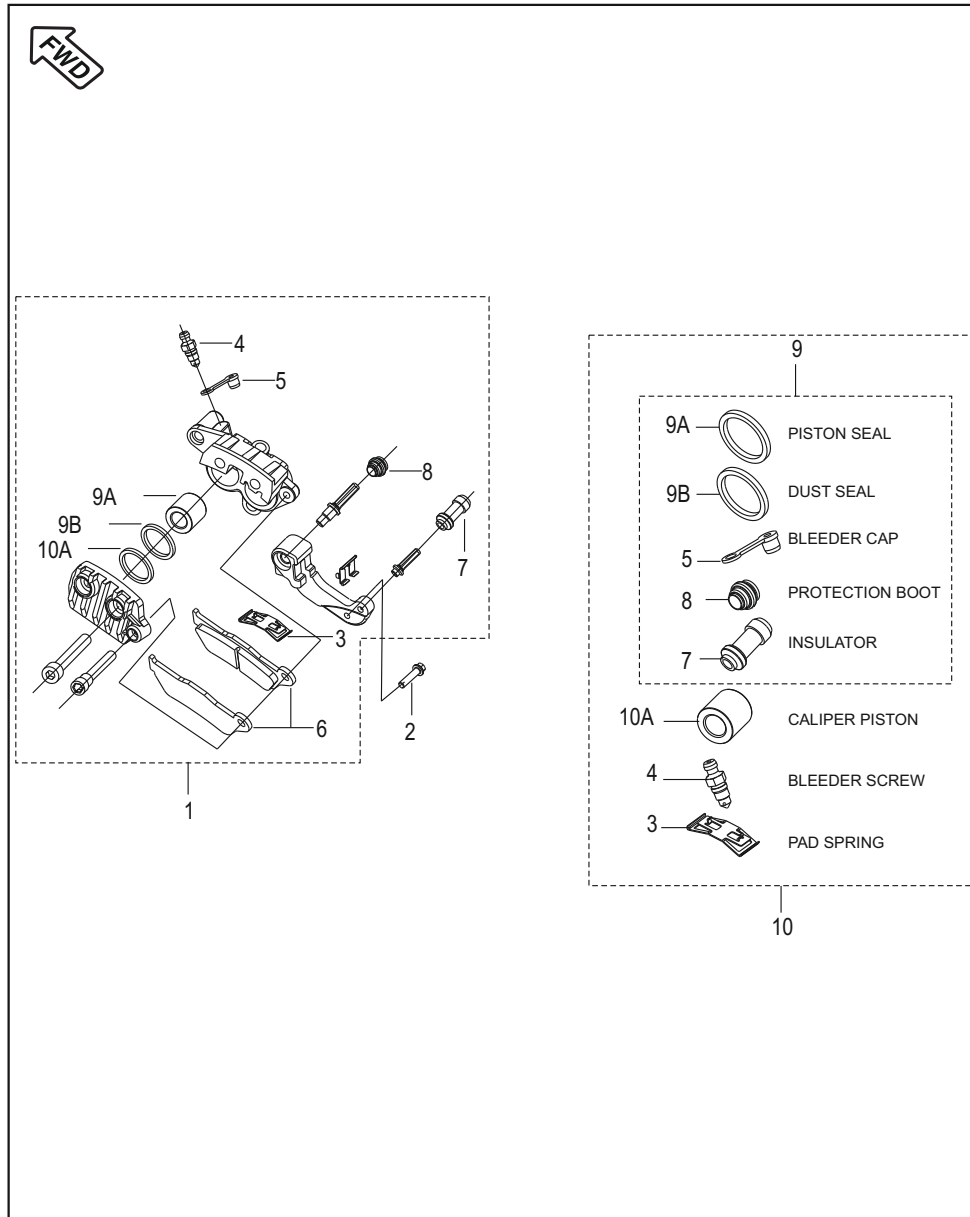
No.	Part No.	Description	Qty/Veh.	Remarks
1	39 0787 08	Pin Cotter	1	
2	39 2362 20	Bearing Ball	2	
3	DE 1510 06	Spacer Assly.	1	
4	30 1510 33	Seal Oil	1	
5	DE 1510 12	Plate Drive	1	
6	DE 1510 08	Seal Oil	1	
7	JN 1318 07	Disc	1	
8	39 0786 15	Hex. Slotted Nut	1	
9	39 0781 11	Plain Washer	1	
10	39 2038 04	Hex. Soc. Hd. Bolt	6	
11	JN 1316 03	Case Meter Assly.	1	
12	DS 1510 58	Spacer	1	
13	DJ 1510 41	Axle	1	
14	JC 2010 46	Stopper plate	1	
15	39 0900 12	Washer	1	
16	39 0840 01	Screw	1	

FR. Master Cylinder (For Disc Brake)



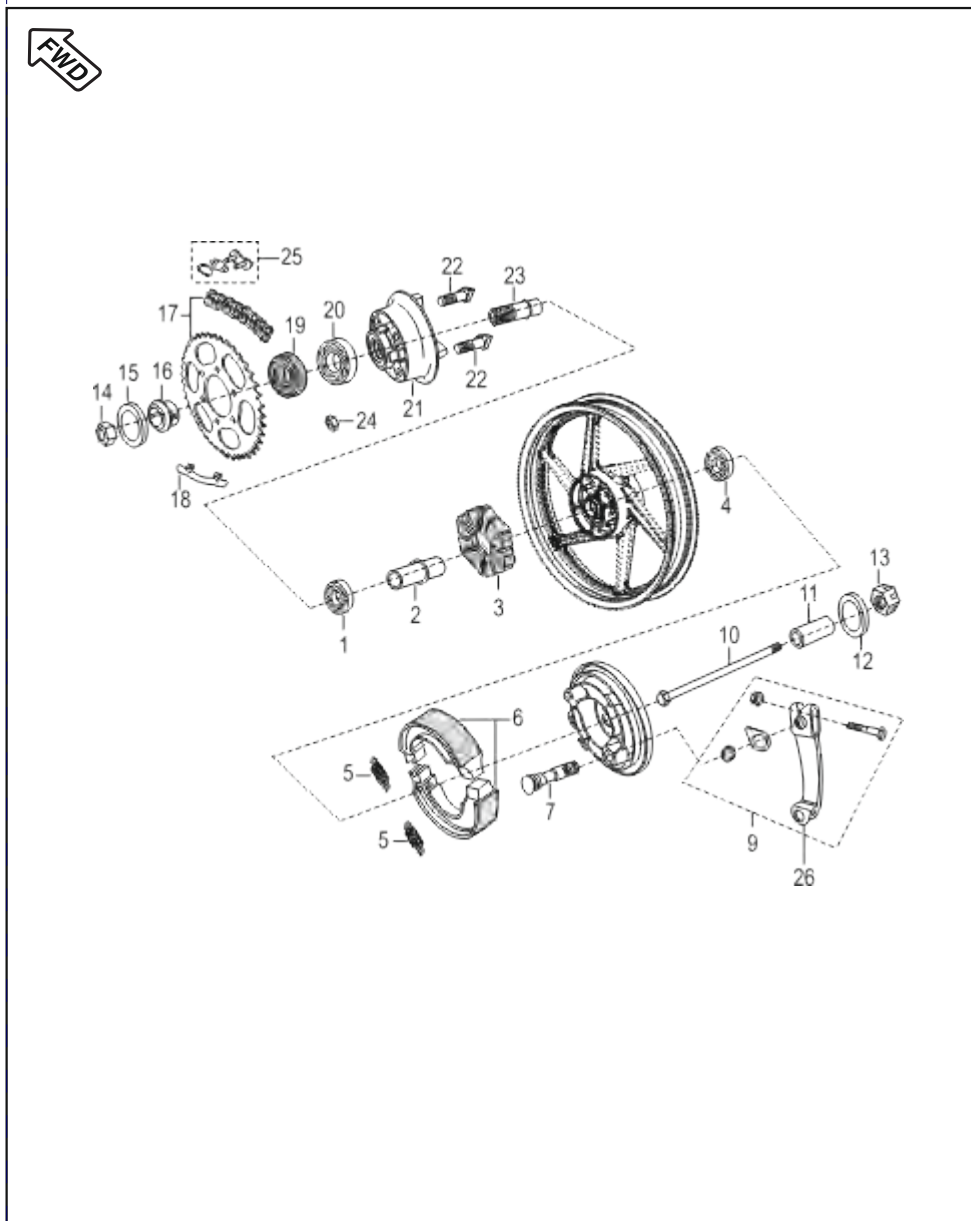
No.	Part No.	Description	Qty/Veh.	Remarks
1	DJ 1910 23	Major Kit - Master Cylinder	1	ETS
	DE 1910 43	Major Kit - Master Cylinder	1	BREMBO
2	DJ 1510 76	Hose Brake Front	1	
3	DJ 1910 57	Lever Grip RH	1	
4	DE 1910 11	Banjo Bolt	2	
5	DJ 1910 26	Washer Copper	4	ETS
	DE 1910 10	Washer Copper	4	BREMBO
6	DJ 1910 27	Clamp Holder RH	1	ETS
	DE 1910 33	Clamp Holder RH	1	BREMBO
7	DJ 1910 28	Bolt	1	
8	DJ 1910 29	Bolt Front Brake Lever	1	
9	DJ 1910 30	Nut Flanged	1	
10	DJ 1910 31	Screw	2	
11	DJ 1910 32	Cylinder Master	1	ETS
	DJ 1910 56	Cylinder Master	1	BREMBO
12	DJ 2011 09	Front Brake Switch	1	
13	DJ 1910 34	Reservoir Cover	1	
14	DE 1910 58	Diaphragm	1	N.S
15	36 DH19 02	Oil Window Kit	1	

Front Disc Brake



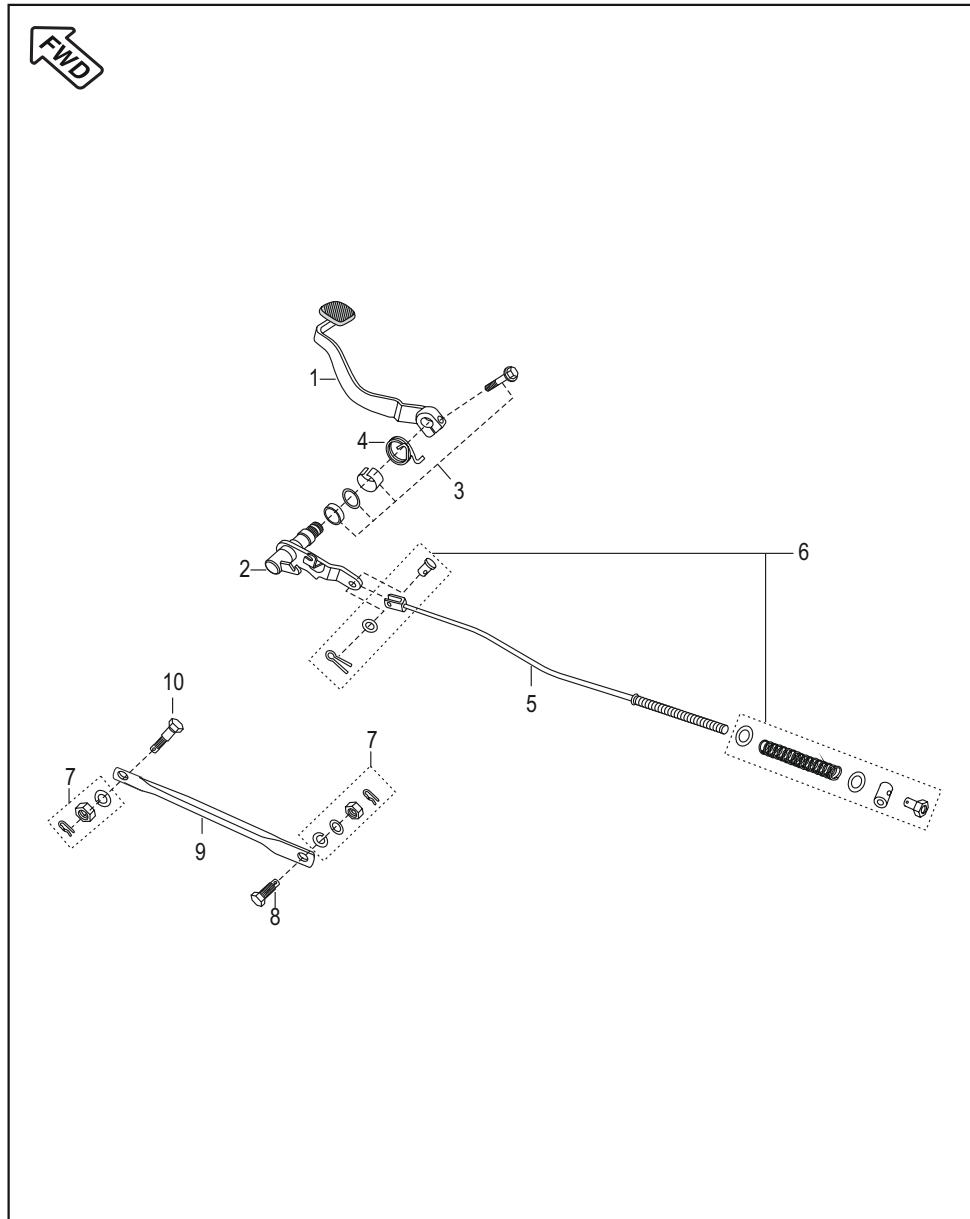
No.	Part No.	Description	Qty/Veh.	Remarks
1	DG 1510 89	Caliper Assly. Front	1	
	DK 1510 54	Caliper Assly. Front	1	KBX
2	59 0400 48	Bolt Flanged	2	
3	DJ 1510 68	Spring Pad	1	
4	DJ 1510 69	Bleeder Screw	1	
	DE 1510 46	Bleeder Screw	1	KBX
5	DJ 1510 70	Bleeder Cap	1	
	DE 1510 47	Bleeder Cap	1	KBX
6	DJ 1510 71	Disc Pad Set	1	
	JW 1318 07	Disc Pad Set	1	
	DE 1510 37	Disc Pad Set	1	KBX
7	DJ 1510 72	Insulator	1	
	DE 1510 43	Insulator	1	KBX
8	DJ 1510 73	Protection Boot	1	
9	DJ 1510 74	Minor Kit - Caliper	1	
10	DJ 1510 75	Major Kit - Caliper	1	

Rear Hub



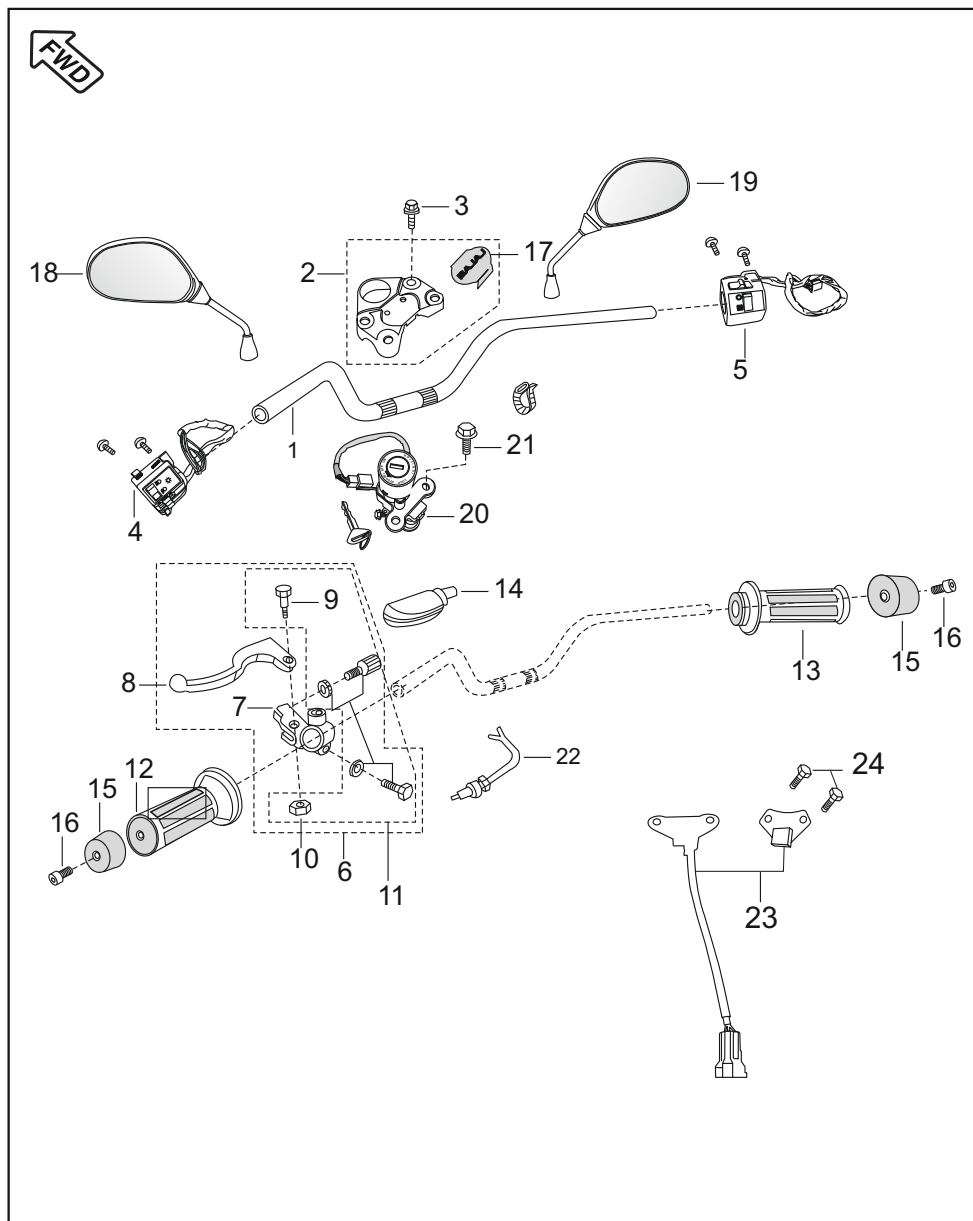
No.	Part No.	Description	Qty/Veh.	Remarks
1	39 2686 20	Bearing Ball	1	
2	30 1510 75	Collar Bearing	1	
3	JG 1312 19	Coupling Rubber	1	
4	39 2241 20	Bearing Ball	1	
5	30 1510 69	Spring	2	
6	30 1511 05	Shoe Brake Assly.	1	
	JN 1318 12	Shoe brake assly. (Non Asbestos)	1	
7	30 1510 11	Cam Brake	1	
8	DJ 1510 92	Panel Rear Brake	1	
9	36 DK00 14	Kit Lever Brake	1	Ref Page No.104
10	DJ 1510 32	Axle	1	
11	DJ 1510 34	Collar	1	
12	39 2567 11	Plain Washer	1	
13	DH 1710 19	'U' Nut	1	
14	39 0801 15	Nut	1	
15	39 2566 11	Plain Washer	1	
16	DJ 1510 35	Collar	1	
17	36 DH40 13	Chain Sprocket Kit	1	Ref Page No.104
18	DS 1510 74	Lock Washer	3	
19	30 1510 82	Seal Oil	1	
20	39 2240 20	Bearing Ball	1	
21	DS 1510 68	Coupling	1	
22	DS 1510 73	'D' Bolt	6	
23	DJ 1510 33	Sleeve	1	
24	39 0794 15	Hex. Lock Nut	6	
25	DJ 1510 53	Drive Chain Lock	1	
26	DJ 1510 59	Lever Brake Rear	1	

Rear Brake Pedal



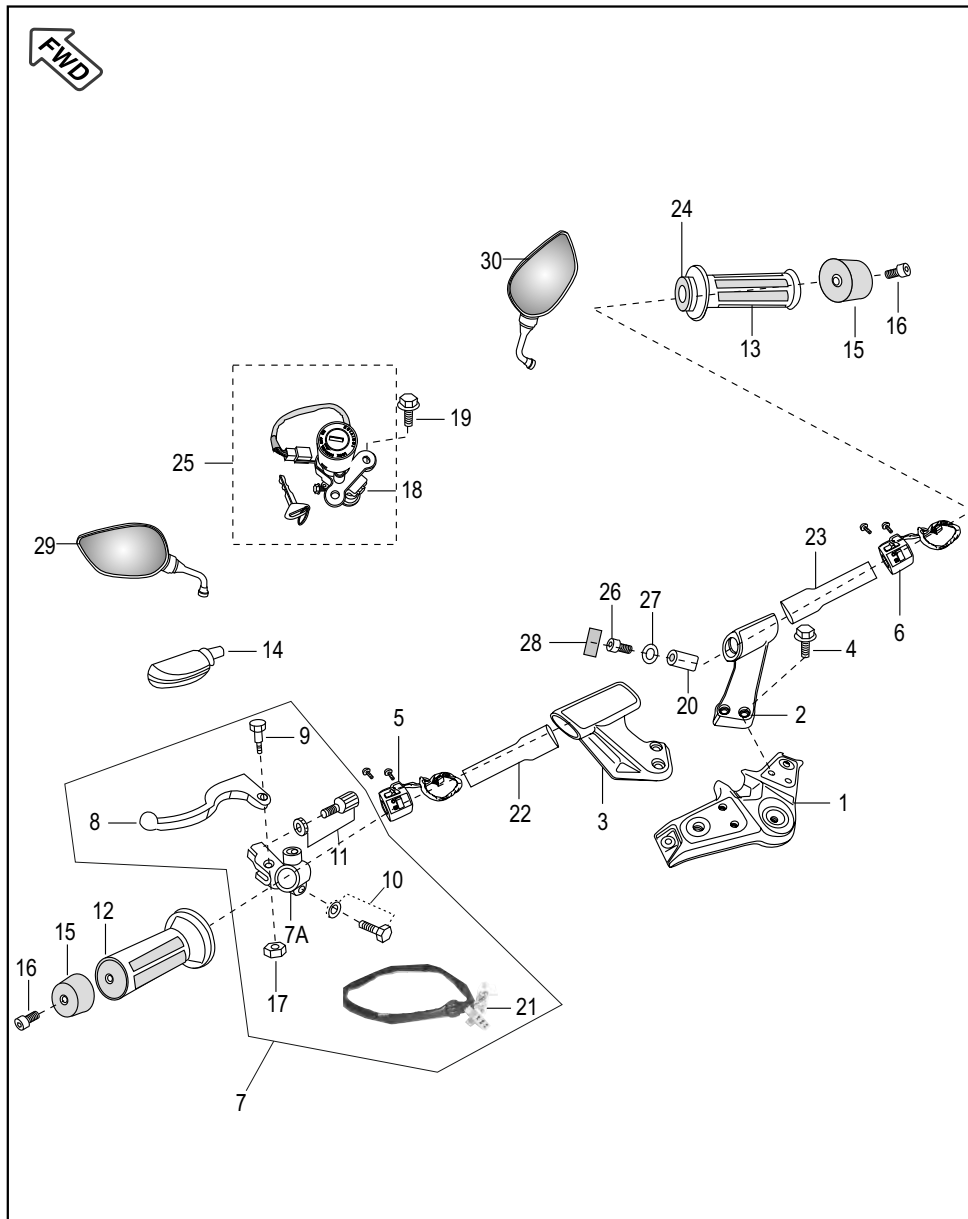
No.	Part No.	Description	Qty/Veh.	Remarks
1	DH 1910 01	Lever Brake Pedal	1	
2	DJ 1910 21	Shaft Assly. Brake Pedal	1	
3	36 DK00 16	Kit Hardware Brake Pedal	1	
4	DH 1910 06	Spring	1	
5	DJ 1910 10	Rod Assly. Brake	1	
6	36 DH40 14	Kit Hardware Rod Brake	1	
7	36 DH40 15	Kit Hardware Rod Torque	1	
8	30 1510 95	Hex. Bolt	1	
9	DJ 1510 42	Rod Torque	1	
10	DH 1510 29	Hex. Bolt	1	

Handle Bar



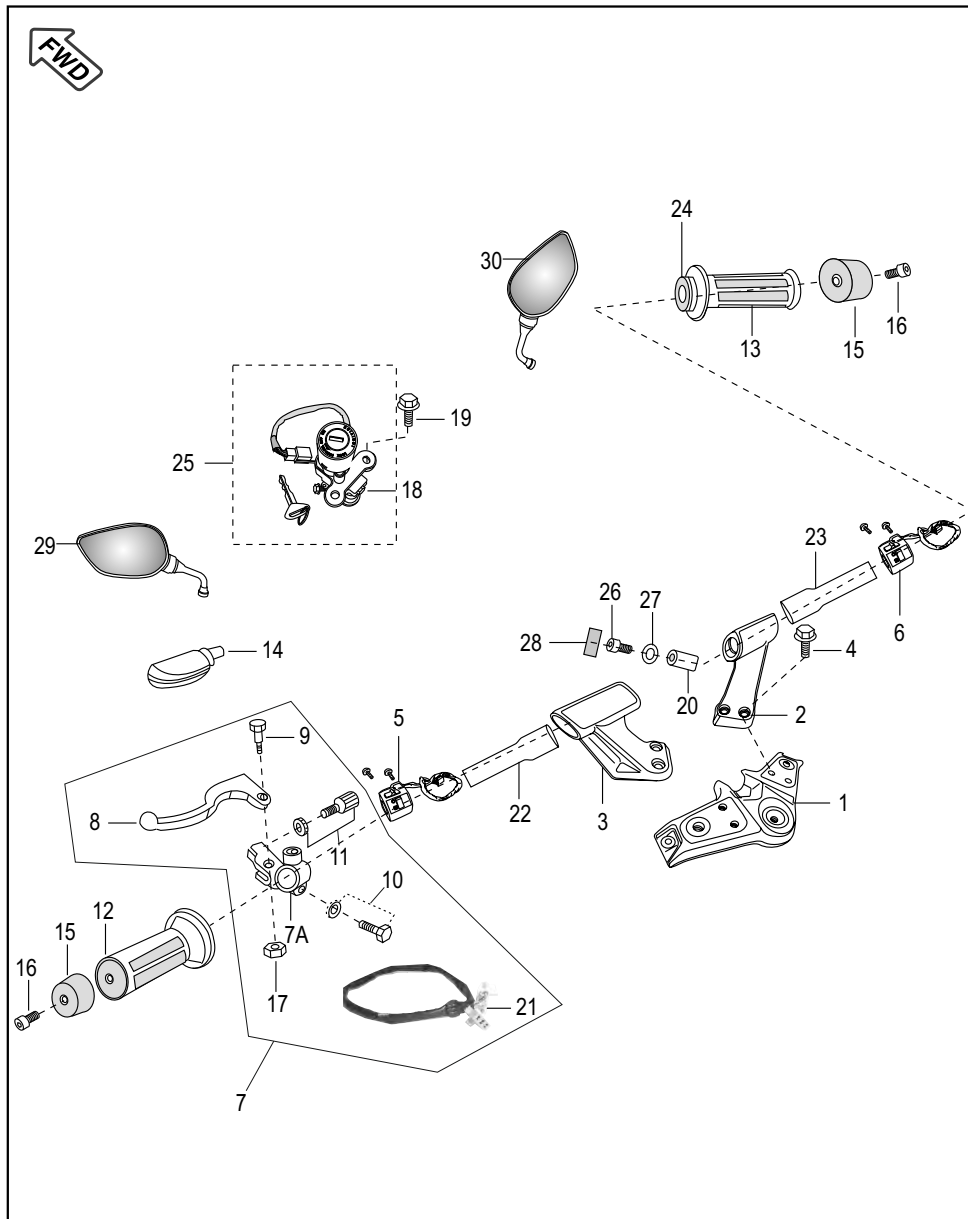
No.	Part No.	Description	Qty/Veh.	Remarks
1	DH 1810 55	Handle Bar	1	
2	DH 1810 53	Holder Handle	1	
3	39 2743 04	Flanged Bolt	4	
4	JC 2010 17	Control Switch LH	1	
	JF 4014 00	Control Switch LH (UG-5)	1	Ref. Cir. IB-70
5	JC 2010 18	Control Switch RH	1	
	JF 4014 01	Control Switch RH (UG-5)	1	Ref. Cir. IB-70
6	DJ 1910 09	Lever & Support holder Assly.	1	
7	DJ 1910 54	Holder LH	1	
8	DJ 1910 55	Lever LH	1	
	DJ 1910 83	Lever LH	1	
9	DD 1910 85	Bolt	1	
10	39 1184 15	Self Locking Nut	1	
11	36 DK00 37	Kit Hardware Holder LH	1	Ref Page No.104
12	DH 1910 07	Grip LH	1	
13	DH 1910 08	Grip Assly. RH	1	
14	DH 1910 19	Boot For Lever	1	
15	DJ 1810 11	Handle Bar Weight	2	
16	39 2427 04	Hex. Socket Head Cap Screw	2	
17	DJ 1810 39	Pad Holder Handle	1	
18	DJ 2210 03	Mirror Assly. LH	1	
19	DJ 2210 04	Mirror Assly. RH	1	
20	JB 4014 02	Switch Assly. Ignition	1	
21	39 1943 04	Flange Bolt	2	
22	DJ 2011 95	Clutch Switch	1	
	DJ 2012 46	Clutch Switch (Transil Diode)	1	
23	36 DH40 47	Kit Hall Sensor (Blinker self Cancellation)	1	Not Applicable for UG-5
24	39 2208 04	Flange Bolt	2	
25	DH 1810 69	4 In 1 Lock Set With Key	1	N.I.
	DH 1811 19	4 In 1 Lock Set With Key	1	N.I. w.e.f. July 2013

Handle Bar (Split Type)



No.	Part No.	Description	Qty.	Remarks
1	DH 1810 91	Upper Bracket	1	
	DH 1811 05	Upper Bracket (Black)	1	
2	DH 1810 96	Holder Handle RH	1	
	DH 1811 09	Holder Handle RH (Silver)	1	from Jun 11 *
	DH 1811 04	Holder Handle RH (Black)	1	
3	DH 1810 94	Holder Handle LH	1	
	DH 1811 07	Holder Handle LH (Silver)	1	from Jun 11 *
	DH 1811 03	Holder Handle LH (Black)	1	
4	DK 1810 44	Socket Bolt	4	
5	JC 2010 17	Control Switch LH	1	
	JF 4014 00	Control Switch LH (UG-5)	1	Ref. Cir. IB-70
6	JC 2010 18	Control Switch RH	1	
	JF 4014 01	Control Switch RH (UG-5)	1	Ref. Cir. IB-70
7	DJ 1910 82	Lever & Support Holder Assly	1	
7A	DJ 1910 54	Holder LH	1	
	DJ 1910 81	Holder LH	1	
8	DJ 1910 55	Lever LH	1	
	DJ 1910 83	Lever LH	1	
9	DL 1910 14	Stud Lever Handle	1	
10	39 1553 04	Bolt Flange M6	1	
11	36 DU19 01	Kit Adjusting Screw	1	
12	DH 1910 07	Grip LH	1	
13	DH 1910 08	Grip RH	1	
14	DS 1910 52	Boot for lever LH	1	
15	DJ 1810 11	Handle bar weight	2	
16	39 2427 04	Hex. Soc. Hd. Cap Screw	2	
17	39 1184 15	Nut Nyloc M5 x 0.8	1	
18	JB 4014 02	Switch Assly. Ignition	1	
19	39 1943 04	Flange Bolt	2	
20	DK 1810 31	Bush Silent Handle Bar Tube	2	

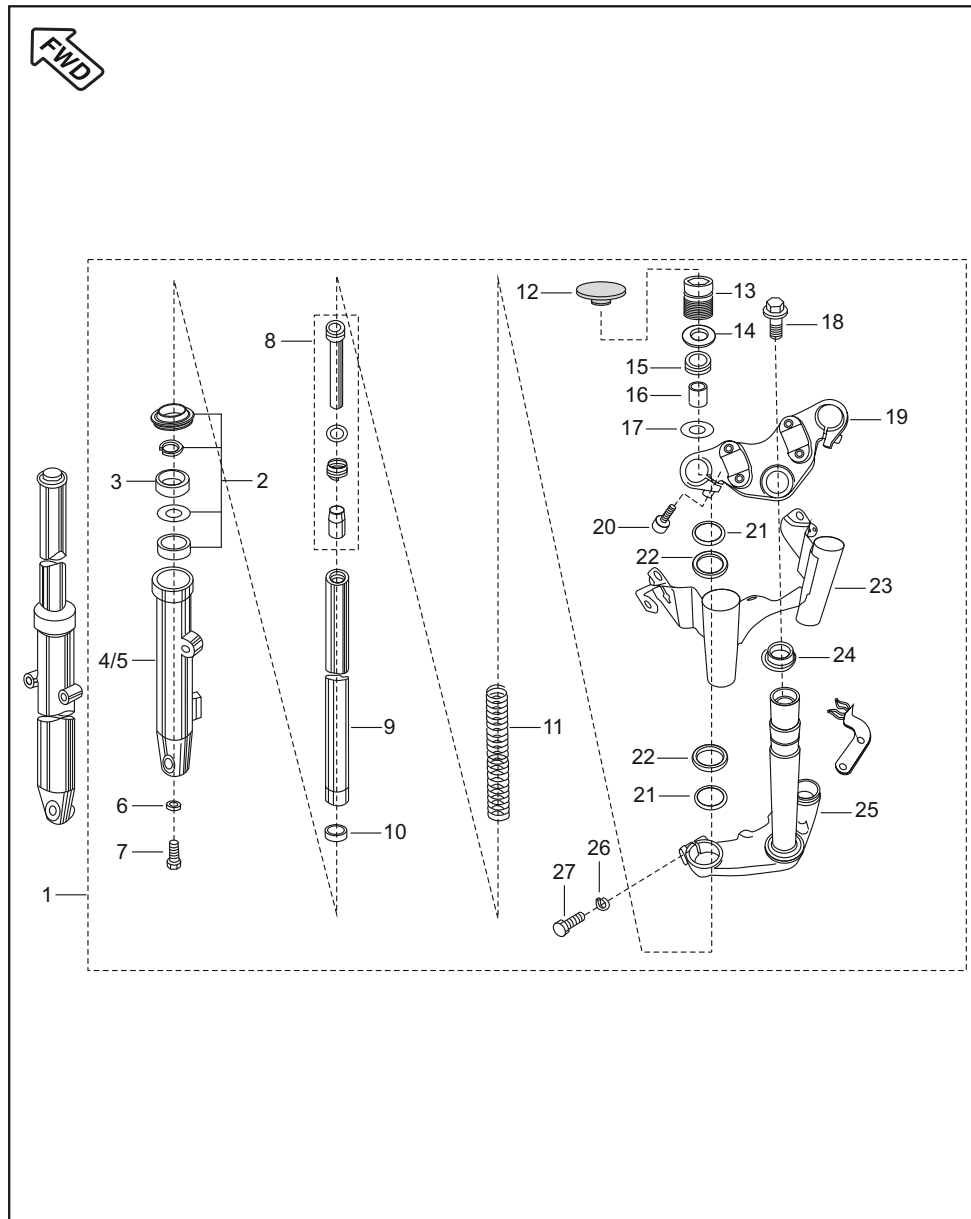
Handle Bar (Split Type)



No.	Part No.	Description	Qty.	Remarks
21	DJ 2011 95	Clutch Switch	1	
	DJ 2012 46	Clutch Switch (Transil Diode)	1	
22	DK 1810 82	Handle bar tube assly. LH	1	
23	DK 1810 86	Handle bar tube assly. RH	1	
24	DH 1910 17	Pipe throttle	1	N.I.
25	DH 1810 69	Lock set 4 in 1	1	
	DH 1811 19	Lock set 4 in 1	1	w.e.f. July 2013
26	DK 1810 58	Bolt	2	
	LA C000 20	Bolt Socket Head *	2	from Jun11
27	39 1180 11	Washer	2	
28	DH 1810 99	Rubber Plug	2	
29	DJ 2210 03	Mirror Assly. LH	1	
30	DJ 2210 04	Mirror Assly. RH	1	

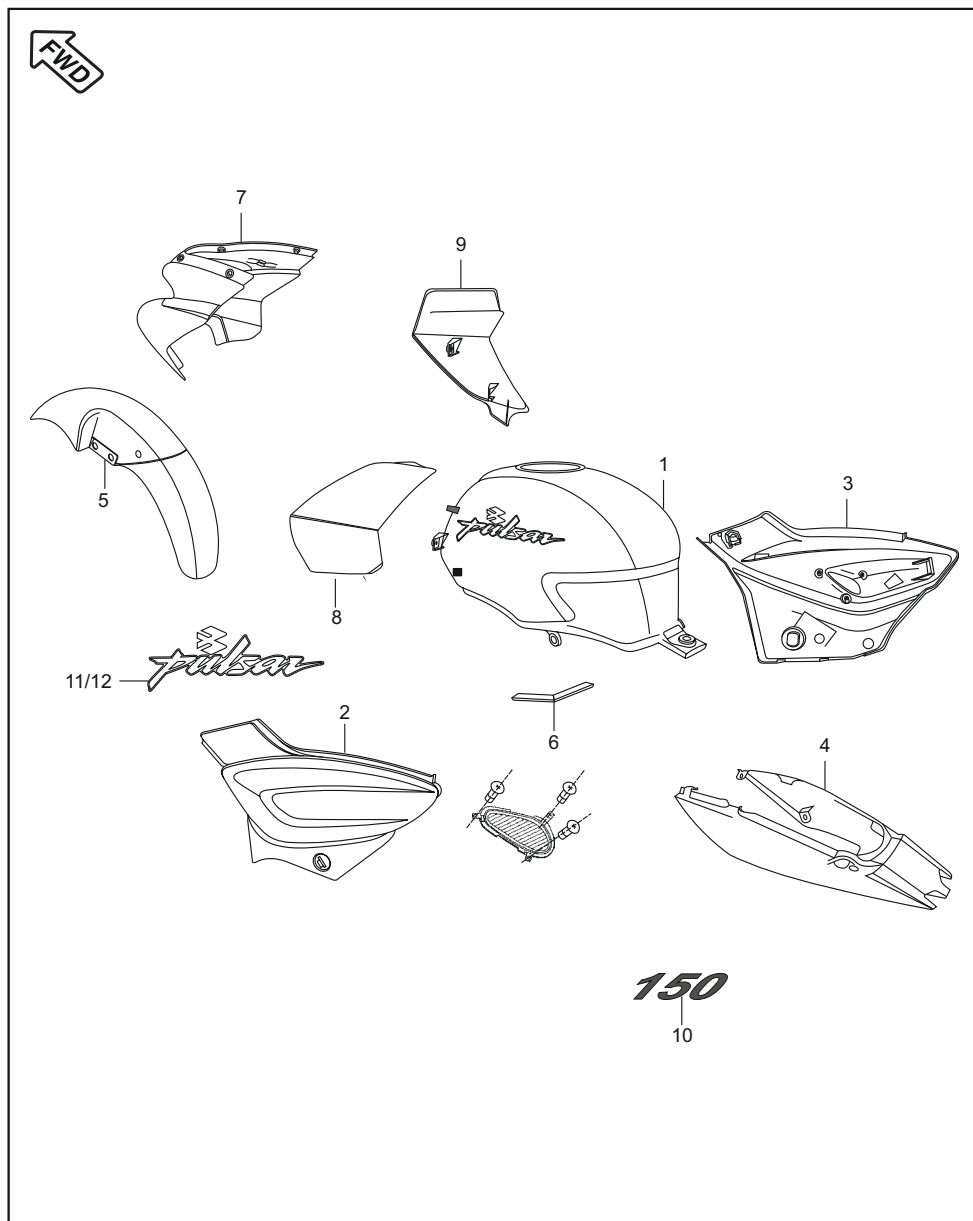
Note - * The bolt (Sr. No. 26) Shank Length increased w.e.f. 14.06.2011
The new bolt, Holder Handle, Handle Bar Assly are not individually interchangeable with old one.

Front Fork



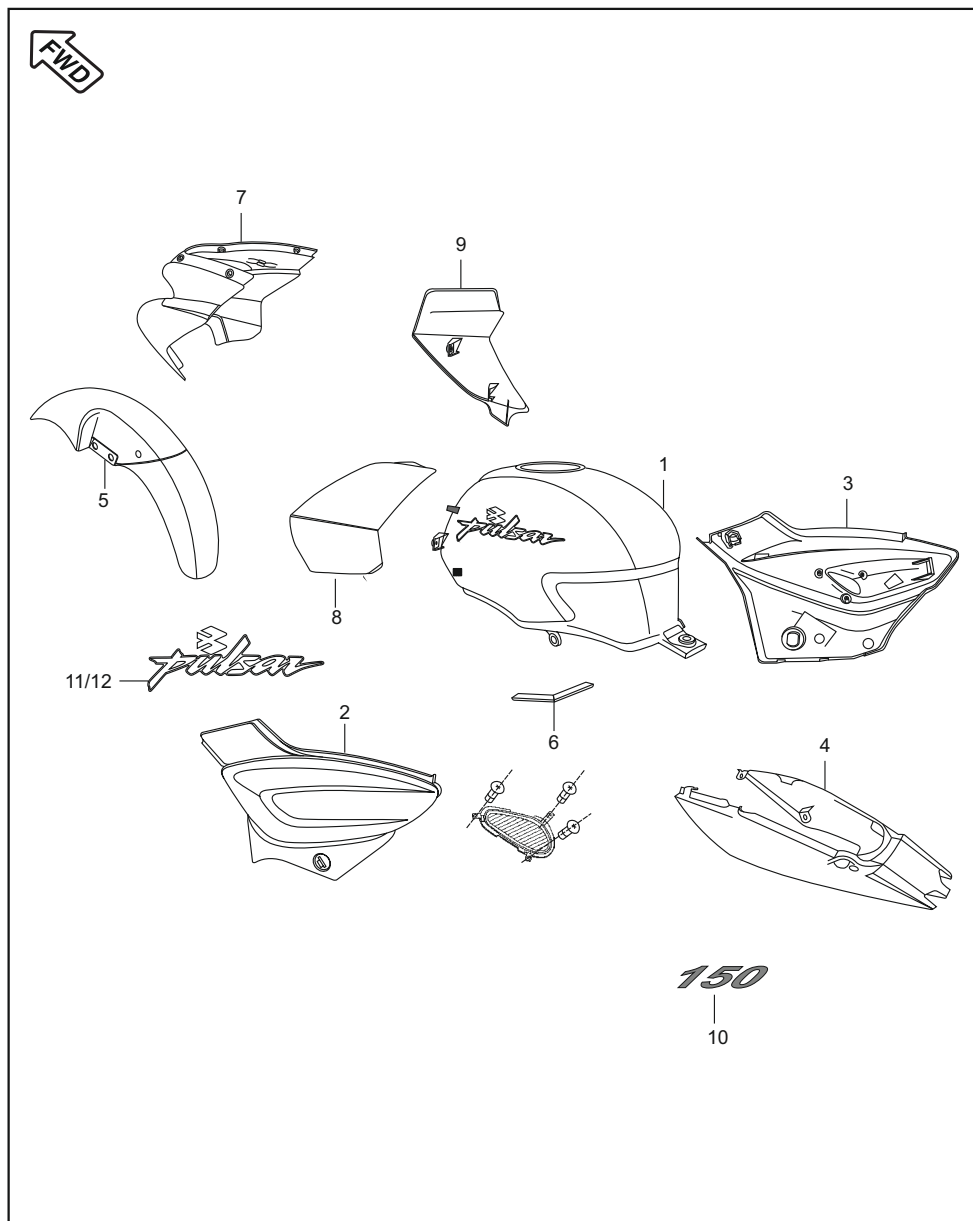
No.	Part No.	Description	Qty/Veh.	Remarks
1	DH 1810 60	Fork Front	1	
	DH 1810 86	Fork Front Split Type H/Bar	1	from Eng. BSK88252 Cir. C-21
	DH 1811 00	Fork Front	1	8.7.2010
2	36 DK00 20	Kit Outer Tube	1	Ref Page No.104
3	DJ 1810 87	Oil Seal	2	
4	DH 1810 63	Outer Tube LH	1	
5	DH 1810 64	Outer Tube RH	1	
	DH 1811 01	Outer Tube RH	1	8.7.2010
6	30 1810 26	Gasket	2	
7	30 1810 25	Bolt	2	
8	DS 1810 77	Cylinder Comp. Fork	2	
9	DJ 1811 03	Pipe Comp. Suspension Inner	2	
	DH 1810 87	Pipe Comp. Suspension Inner	2	from Eng. BSK88252 Cir. C-21
10	DS 1810 71	Slide Bush	2	
11	DJ 1811 04	Spring Front Fork	2	
12	DH 1810 09	Grommet Top	2	
13	DH 1810 15	Bolt Fork	2	
14	30 1810 29	'O' Ring	2	
15	31 1811 01	Seat Fork Spring	2	
16	DS 1810 85	Spacer Tube	2	
	DH 1810 83	Spacer Tube	2	8.7.2010
17	DM 1810 10	Washer	2	
18	31 1811 20	Bolt	1	
19	DH 1810 56	Holder Fork Upper	1	
	DH 1810 91	Holder Fork Upper	1	from Eng. BSK88252 Cir. C-21
20	DG 1810 08	Socket Bolt	2	
21	DJ 1810 85	Cushion Rubber	2	
22	DJ 1810 52	Cover Trail B	4	
23	DH 1810 66	Lamp Shade Asly.	1	
	DH 1810 92	Lamp Shade Asly.	1	from Eng. BSK88252 Cir. C-21
24	36 3140 01	Bearing Cone	1	
25	DJ 1810 41	Holder Fork Under	1	
26	39 0789 12	Spring Washer	2	
27	39 1813 04	Bolt	2	

Painted Parts & Decals



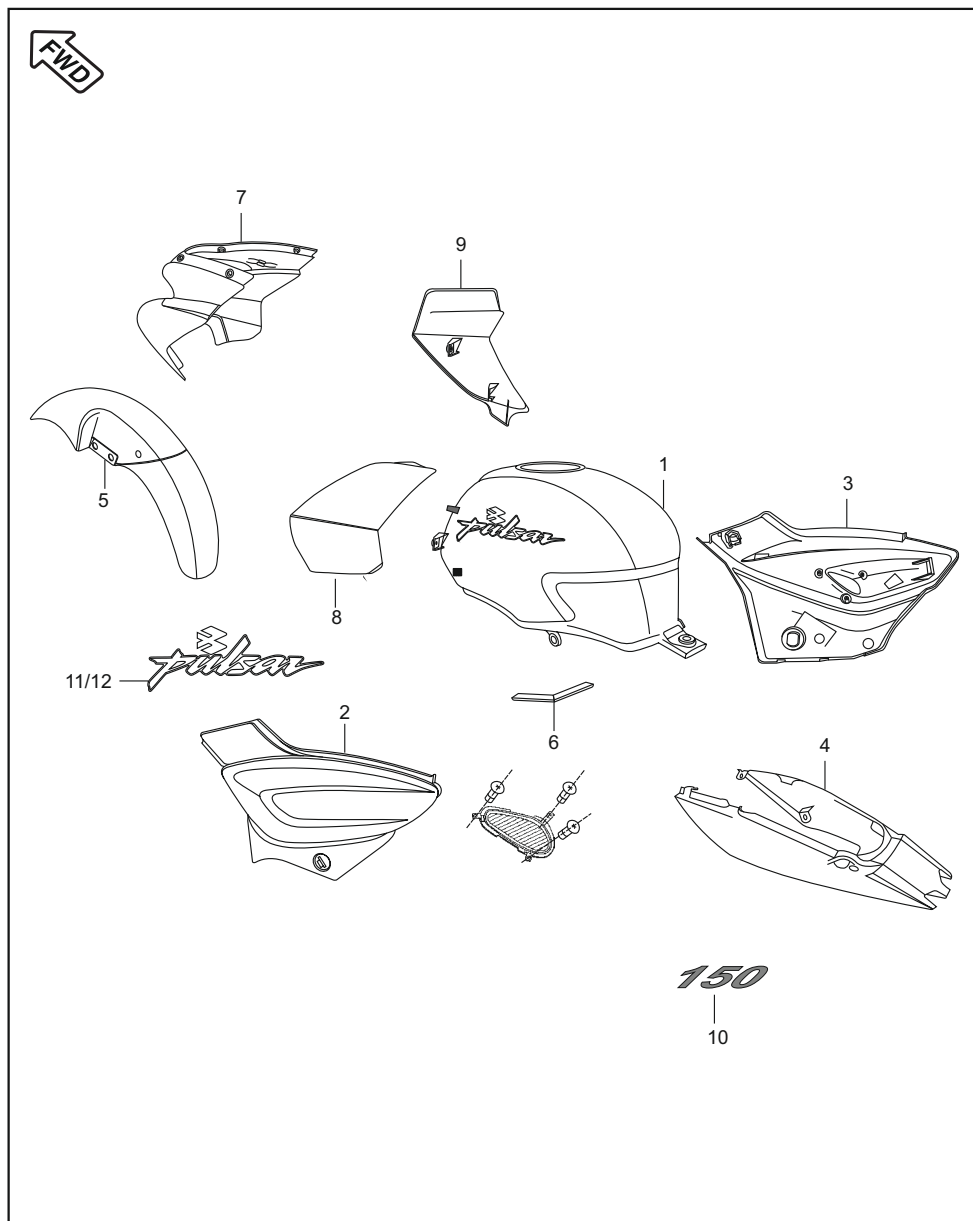
No.	Part No.	Description	Qty/Veh.	Remarks	
1	DH 7103 4M	Fuel Tank With Decal	1	Midnight Black	
	DH 7103 2V	Fuel Tank With Decal	1	Cocktail Wine Red	
	DH 7103 4K	Fuel Tank With Decal	1	Plasma Blue	
	DH 7103 4L	Fuel Tank With Decal	1	Misty Gray Silver	
	DJ 7107 5G	Fuel Tank With Dual Decal	1	Plasma Blue	
	DJ 7107 5F	Fuel Tank With Dual Decal	1	Cocktail Wine Red	
	52 DH08 43	Tank Fuel MN Black + Mt White Dcl	1	Ref Cir. IB 102	
	52 DH08 44	Tank Fuel E. Black + Silver Dcl	1		
	52 DJ05 46	Tank Fuel MN Black + S Blue Dcl	1	Ref Cir. IB 102	
	52 DJ05 56	Tank Fuel MN Black + S blue Dcl	1		
	52 DJ05 45	Tank Fuel MN Black + W Red Dcl	1	Ref Cir. IB 102	
	52 DJ05 55	Tank Fuel M Black + W Red Dcl	1		
	52 DJ06 25	Fuel Tank With Dual Decal	1	E. Black	
	52 DJ05 57	Fuel Tank	1	M White	
	52 DH09 43	Fuel Tank	1	D. Green	
	2	52 DH05 34	Side Cover LH	1	Midnight Black
		52 DH05 30	Side Cover LH	1	Cocktail Wine Red
		52 DH05 28	Side Cover LH	1	Plasma Blue
52 DK55 06		Side Cover LH	1		
52 DJ05 62		Side Cover LH	1	E.Black	
52 DH06 75		Side cover LH Dual Decal	1	Blue Decal	
52 DH06 73		Side cover LH Dual Decal	1	Red Decal	
52 DJ05 36		Side cover LH Dual Decal	1	Wine Red Ref Cir IB- 102	
52 DJ05 32		Side cover LH Dual Decal	1	Saffire Blue Ref Cir IB- 102	
52 Dh08 23		Side Cover LH	1	Platinum Silver Ref Cir Ib102	
52 DJ05 34		Side cover LH	1	M White	
52 Dh09 47		Side cover LH	1	D. Green	
3		52 DH05 35	Side Cover RH	1	Midnight Black
		52 DH05 31	Side Cover RH	1	Cocktail Wine Red
		52 DH05 29	Side Cover RH	1	Plasma Blue
		52 DK55 07	Side Cover RH	1	
		52 DJ05 63	Side Cover RH	1	E.Black
		52 DH06 76	Side cover RH Dual Decal	1	Blue Decal
	52 DH06 74	Side cover RH Dual Decal	1	Red Decal	
	52 DJ05 37	Side cover RH Dual Decal	1	Wine Red Ref Cir IB-102	
	52 DJ05 33	Side cover RH Dual Decal	1	Saffire Blue Ref Cir. IB- 102	
	52 Dh08 24	Side Cover RH	1	Platinum Silver Ref Cir Ib102	
	52 Dj05 35	Side Cover RH	1	M. White	
	52 Dh09 48	Side Cover RH	1	D. Green	
4	DH 7303 4M	Seat Cowl Assly.	1	Midnight Black	
	DH 7303 2V	Seat Cowl Assly.	1	Cocktail Wine Red	
	DH 7303 4K	Seat Cowl Assly.	1	Plasma Blue	

Painted Parts & Decals



No.	Part No.	Description	Qty/Veh.	Remarks
5	52 DK00 27	Seat Cowl Assly.	1	
	56 DK45 5N	Seat Cowl Assly.	1	Saffire Blue Ref Cir IB 102
	56 DH45 6E	Seat Cowl Assly.	1	Platinum Silv. Ref Cir. IB 102
	56 DK45 2V	Seat Cowl Assly.	1	Wine Red Ref. Cir. IB 102
	56 Dk45 X3	Seat Cowl Assly.	1	E. Black
	56 DK45 5Y	Seat Cowl	1	M White
	52 Dh09 51	Seat Cowl	1	D. Green
	DJ 7302 4M	Front Fender	1	Midnight Black
	56 Dh05 2V	Front Fender	1	Cocktail Wine Red
	52 DH08 22	Front Fender	1	Wine Red Ref Cir IB-102
	DJ 7302 4K	Front Fender	1	Plasma Blue
	52 Dh08 20	Front Fender	1	Saffire Blue Ref Cir IB-102
52 DH02 78	Front Fender	1		
52 DH08 21	Front Fender	1	Platinum Silver Ref Cir Ib102	
52 DH08 22	Front Fender	1	Wine Red Ref Cir IB 102	
52 DH08 20	Front Fender	1	Saffire blue Ref Cir IB 102	
52 DH08 46	Front Fender	1	E. BLACK	
52 DH08 85	Front Fender Assly	1	M White	
52 Dh09 49	Front Fender Assly	1	D. Green	
6	DH 1410 20	Seat Tape	1	
7	DH 7401 4M	Fairing	1	Midnight Black
	DJ 7401 2V	Fairing	1	Cocktail Wine Red
8	DH 7401 4K	Fairing	1	Plasma Blue
	DJ 1810 90	Fairing	1	
	52 DH08 10	Fairing	1	Platinum Silver Ref Cir Ib102
	52 DJ05 66	Fairing	1	E.Black
	52 DJ05 78	Fairing	1	M White
	52 Dh09 52	Fairing	1	D. Green
	52 DH05 47	Tank Flap LH	1	Midnight Black
	52 DH05 41	Tank Flap LH	1	Cocktail Wine Red
	52 DH08 15	Tank Flap LH	1	Wine Red Ref Cir IB-102
	52 DH05 43	Tank Flap LH	1	Plasma Blue
	52 DH05 45	Tank Flap LH	1	Misty Gray Silver
	52 DH08 11	Tank Flap LH	1	Saffire Blue Ref Cir IB-102
52 DH08 79	Tank Flap LH	1	E.Black	
52 DH08 86	Tank Flap LH	1	M White	
52 Dh09 43	Tank Flap LH	1	D. Green	
9	52 DH05 48	Tank Flap RH	1	Midnight Black
	52 DH05 42	Tank Flap RH	1	Cocktail Wine Red
	52 DH08 16	Tank Flap RH	1	Wine Red Ref Cir IB-102
	52 DH05 44	Tank Flap RH	1	Plasma Blue

Painted Parts & Decals



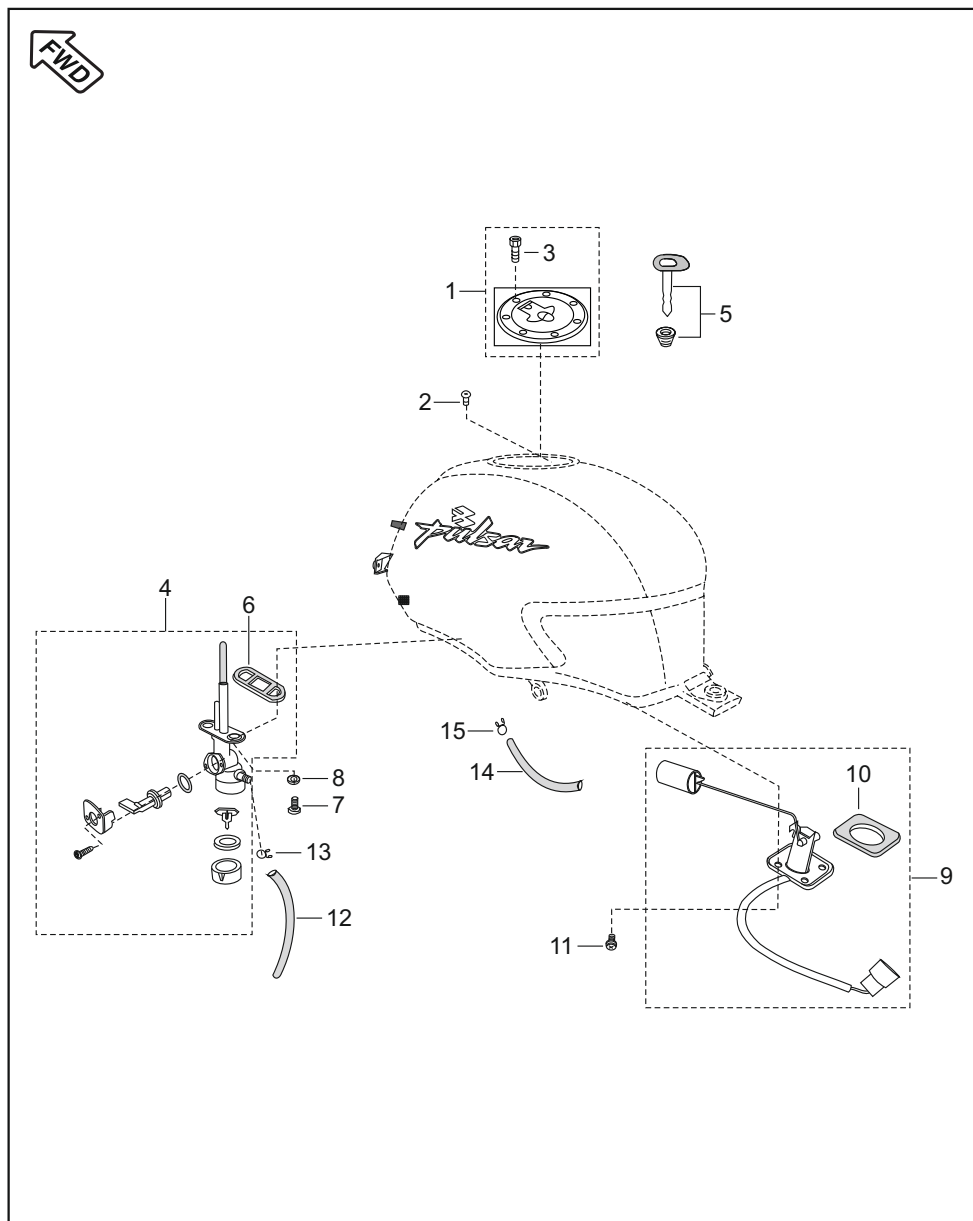
No.	Part No.	Description	Qty/Veh.	Remarks
	52 DH05 46	Tank Flap RH	1	Misty Gray Silver
	52 Dh08 12	Tank Flap RH	1	Saffire Blue Ref Cir IB-102
	52 Dh08 14	Tank Flap RH	1	Platinum Silver Ref Cir Ib102
	52 DH08 80	Tank Flap RH	1	E.Black
	52 DH08 87	Tank Flap RH	1	M White
	52 Dh09 44	Tank Flap RH	1	D.Green
10	DH 1613 71	Seat Cowl Decal (for all color Veh.)	2	Frm 10-08-2010 Ref.Cir C27
11	JC 1410 51	'B' Monogram Tank black Chrome	1	For Silver Colour
	JC 1410 50	'B' Monogram Tank gray Chrome	1	For Black, Blue & Red
12	JC 1410 36	Decal Pulsar Tank RH	1	For Black, Blue & Red
	36 JC00 08	'Pulsar' Decal Kit LH Black Crome	1	For Silver Colour
	36 JC00 09	'Pulsar' Decal Kit RH Black Crome	1	For Silver Colour
	DJ 1613 73	'Pulsar' Decal Kit LH Gray Crome	1	For Black, Blue & Red
	DJ 1613 74	'Pulsar' Decal Kit RH Gray Crome	1	For Black, Blue & Red
	DJ 1614 03	Tank 3D Decal Satin Chrome LH	1	Ref. cir. IB-234
	DJ 1614 04	Tank 3d Decal Satin Chrome RH	1	Ref. cir. IB-234
13	DJ 1410 61	Beading (On Tank Flap)	2	N.I.
14	36 DH40 69	Kit Tank Dcl PI Silver-K1	1	Extension in Cir IB-102
	36 DJ40 46	Kit Tank Dcl W Red-K1/K2	1	Extension in Cir IB-102
	36 DJ40 48	Kit Tank Dcl S Blue-K1/K2	1	Extension in Cir IB-102
	36 DJ40 47	Kit Tank Dcl M White	1	
15	36 DH40 64	Kit Tank Spoiler Dcl PI Silver-K1	1	Extension in Cir IB-102
	36 DH40 63	Kit Tank Spoiler Dcl W Red-K1	1	Extension in Cir IB-102
	36 DH40 62	Kit Tank Spoiler Dcl S Blue-K1	1	Extension in Cir IB-102
	36 DH40 77	Kit Tank Spoiler Dcl M White	1	
16	36 DH40 70	Kit S Cover Dcl PI Silver-K1	1	Extension in Cir IB-102
	36 DJ40 45	Kit S Cover Dcl S Blue-K1/K2/K3	1	Extension in Cir IB-102
	36 DJ40 43	Kit S Cover Dcl W Red-K1/K2/K3	1	Extension in Cir IB-102
17	36 DH40 67	Kit S Cowl Dcl PI Silver-K1	1	Extension in Cir IB-102
	36 DH40 65	Kit S Cowl Dcl S Blue-K1	1	Extension in Cir IB-102
	36 DH40 66	Kit S Cowl Dcl W Red-K1	1	Extension in Cir IB-102
	36 DJ40 44	Kit S Cowl Dcl M White	1	
18	36 DH40 68	Kit Fairing Dcl PI Silver-K1	1	Extension in Cir IB-102
	36 DJ40 39	Kit Fairing Dcl S Blue K1/K2	1	Extension in Cir IB-102
	36 DJ40 37	Kit Fairing Dcl W Red-K1/K2	1	Extension in Cir IB-102
	36 DH40 79	Kit Fairing Dcl M White	1	
19	36 DK01 05	Kit Pulsar Dcl Satin LH	1	Extension in Cir IB-10
	36 DK01 06	Kit Pulsar Dcl Satin RH	1	Extension in Cir IB-102

Dual Color Decals



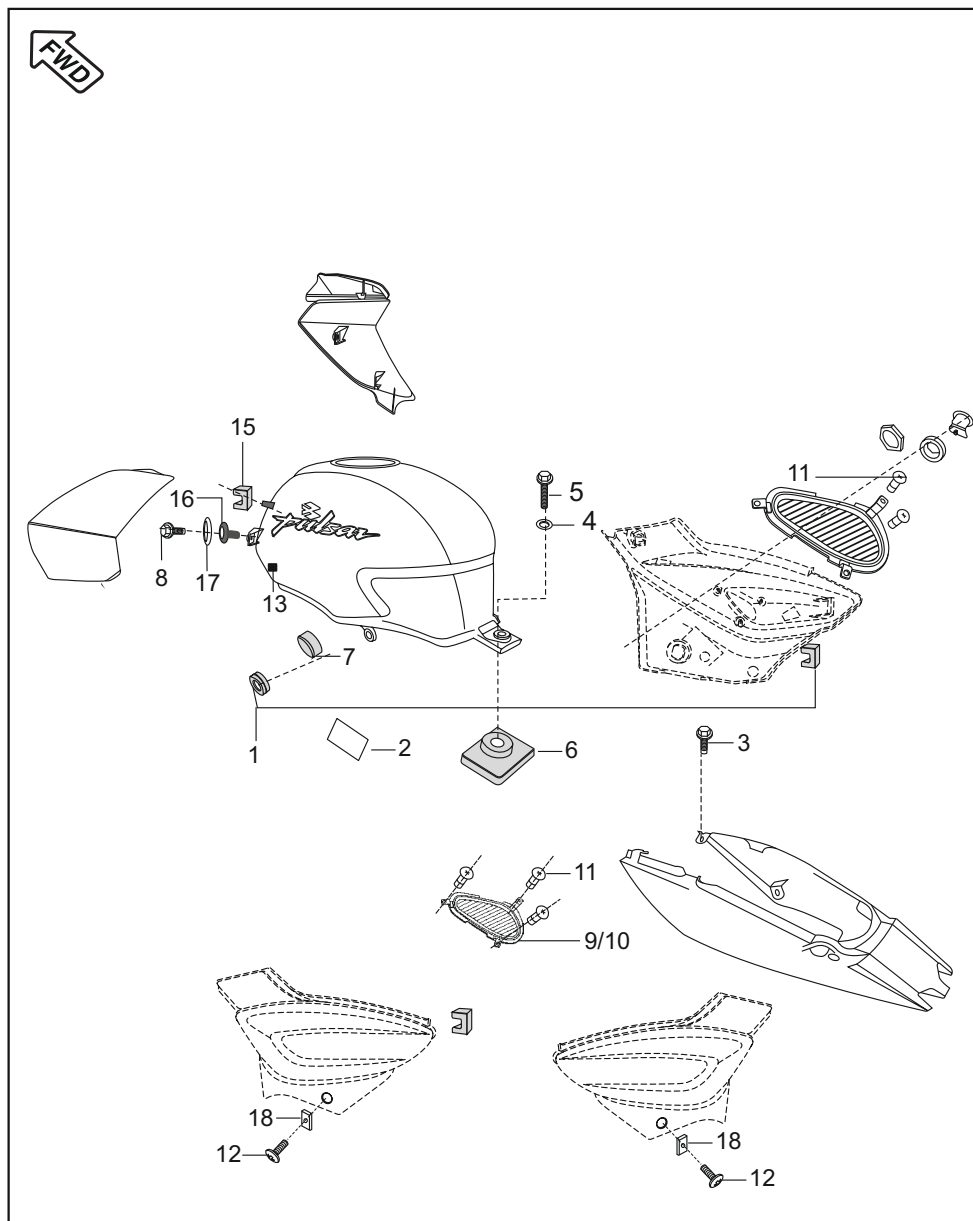
No.	Part No.	Description	Qty. /Veh.	Remarks
1	36 DH40 35	Kit Fairing Decal Blue	1	
	36 DH40 38	Kit Fairing Decal Red	1	
2	36 DH40 34	Kit Tank Decal Blue	1	
	36 DH40 37	Kit Tank Decal Red	1	
3	36 DK00 84	Kit Side Cover Decal Blue	1	
	36 DK00 88	Kit Side Cover Decal Blue	1	
4	36 DH40 42	Kit Seat Cowl Decal Blue	1	
	36 DH40 43	Kit Seat Cowl Decal Red	1	
<p>Note - For Plasma Blue & Passion Red Dual Color Decal Vehicles - The Seat Cowl & Side Cover - Black Color is common. (to be used along with above Decal Set.)</p>				

Cap Tank & Gauge Fuel



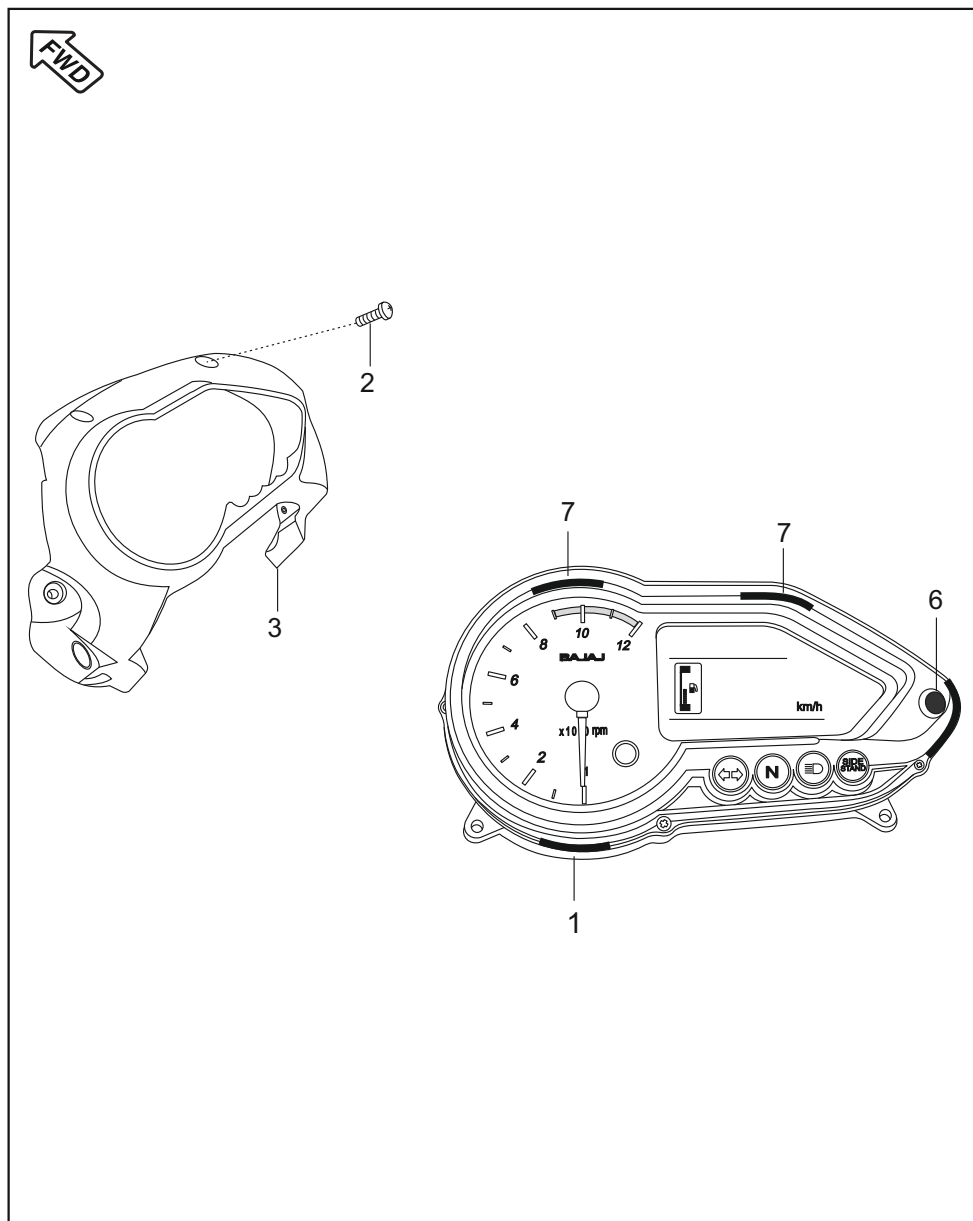
No.	Part No.	Description	Qty/Veh.	Remarks
1	DH 1410 50	Cap Assly. Tank	1	
2	39 1780 01	Pan Head Screw	2	
3	39 2381 04	Hex. Soc Hd. Cap Screw	7	
4	DK 1410 01	Tap Assly	1	N.S
	Dj 1410 56	Tap Assly	1	Alternate DK 1410 01
5	DH 1410 48	Rotor	1	
6	30 1410 39	Packing	1	
7	DD 1412 27	Bolt Flanged	2	
8	39 0740 11	Plain Washer	2	
9	DH 2010 62	Gauge Fuel TFR	1	
10	30 1410 28	Gasket Fuel Gauge	1	N.S
11	30 1410 32	Bolt	4	
12	DJ 1410 06	Tube Fuel	1	
13	BA 1220 03	Pipe Clip	1	
14	DH 1410 24	Drain Tube	1	
15	DG 1410 28	Clamp	1	
16	30 1410 52	Packing Cap Tank	1	N.I.
17	DH 1410 20	Seat Tape	1	N.I.

Fittings P. Tank, Side Cover & Cover Seat



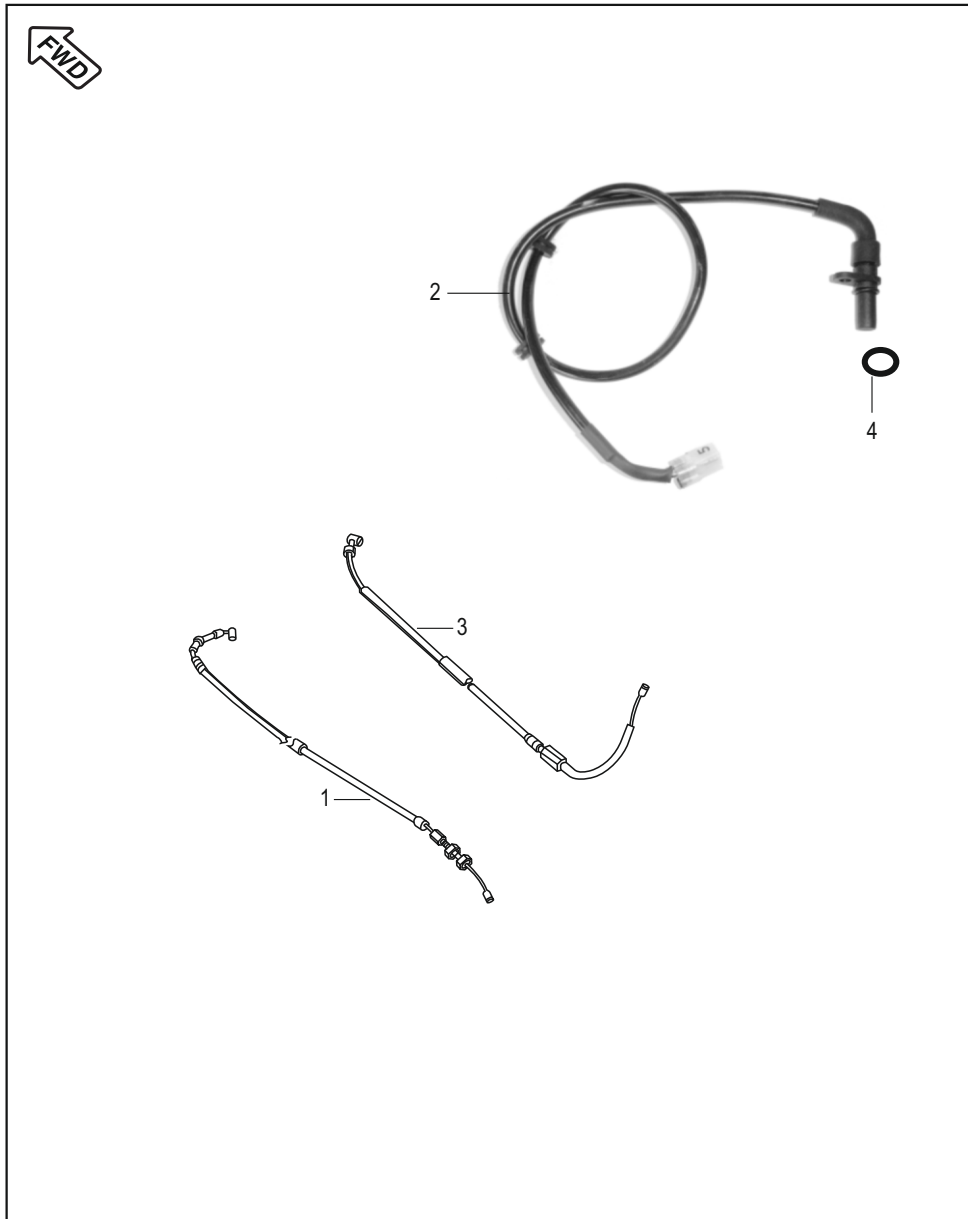
No.	Part No.	Description	Qty/Veh.	Remarks
1	36 DH16 01	Grommet Kit For Side Cover	1	Ref. Page No. 103
2	DH 1410 31	Tape Tank Inner	2	N.S
3	DG 1611 21	Screw	2	
4	39 2424 11	Plain Washer	1	
5	39 1556 04	Flange Bolt	1	
6	DH 1410 23	Damper	1	
7	DJ 1410 08	Damper Front	2	
8	39 1902 04	Flanged Bolt	1	
9	DK 1611 23	Cover Side Mesh LH	1	
10	DK 1611 24	Cover Side Mesh RH	1	
11	59 0200 01	Self Tap Screw	6	
12	DG 1611 21	Screw	2	
13	JW 1710 07	Dual Tape	2	
14	JD 1710 18	Special Tape	2	
15	JC 1410 15	Grommet	2	
16	JC 1410 17	Grommet II	2	
17	JC 1410 16	Collar	2	
18	DG 1810 65	Clip Nut	2	

Meter Assembly



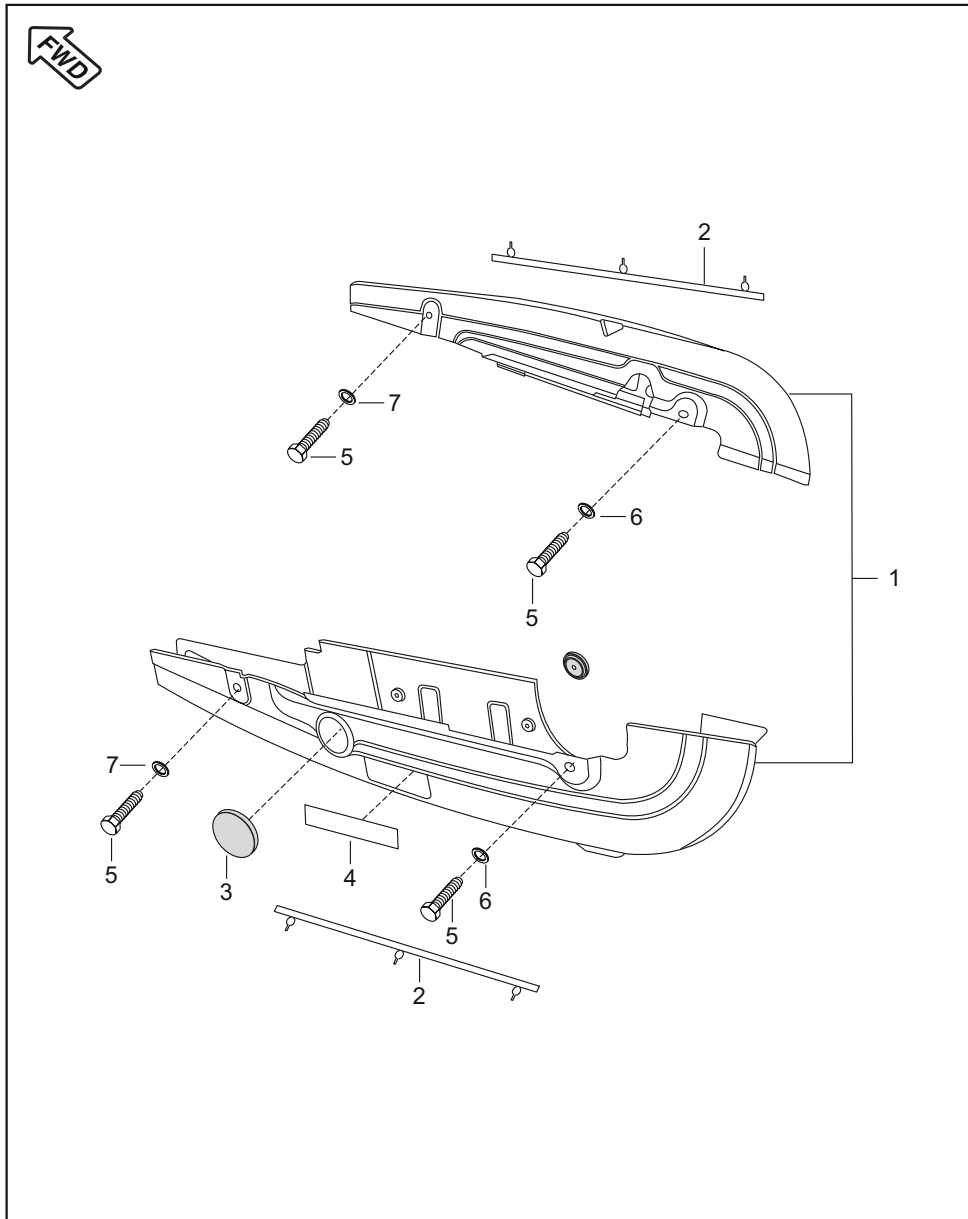
No.	Part No.	Description	Qty/Veh.	Remarks
1	DH 1910 56	Speedometer Assly	1	Ref. Cir. IB-70
	DH 1910 65	Speedometer Assly (UG-5)	1	
2	39 1778 02	Self Tapping Screw	4	
3	DJ 2011 37	Dust Cover Electronic Cluster	1	
4	DJ 1811 19	Speedo Meter Cover	1	N.I.
5	DJ 2011 59	Speedo Meter Top Cover	1	N.I.
6	DJ 2011 74	Trip Meter Knob	1	
7	DK 1612 09	Tape I	4	

Control Cables



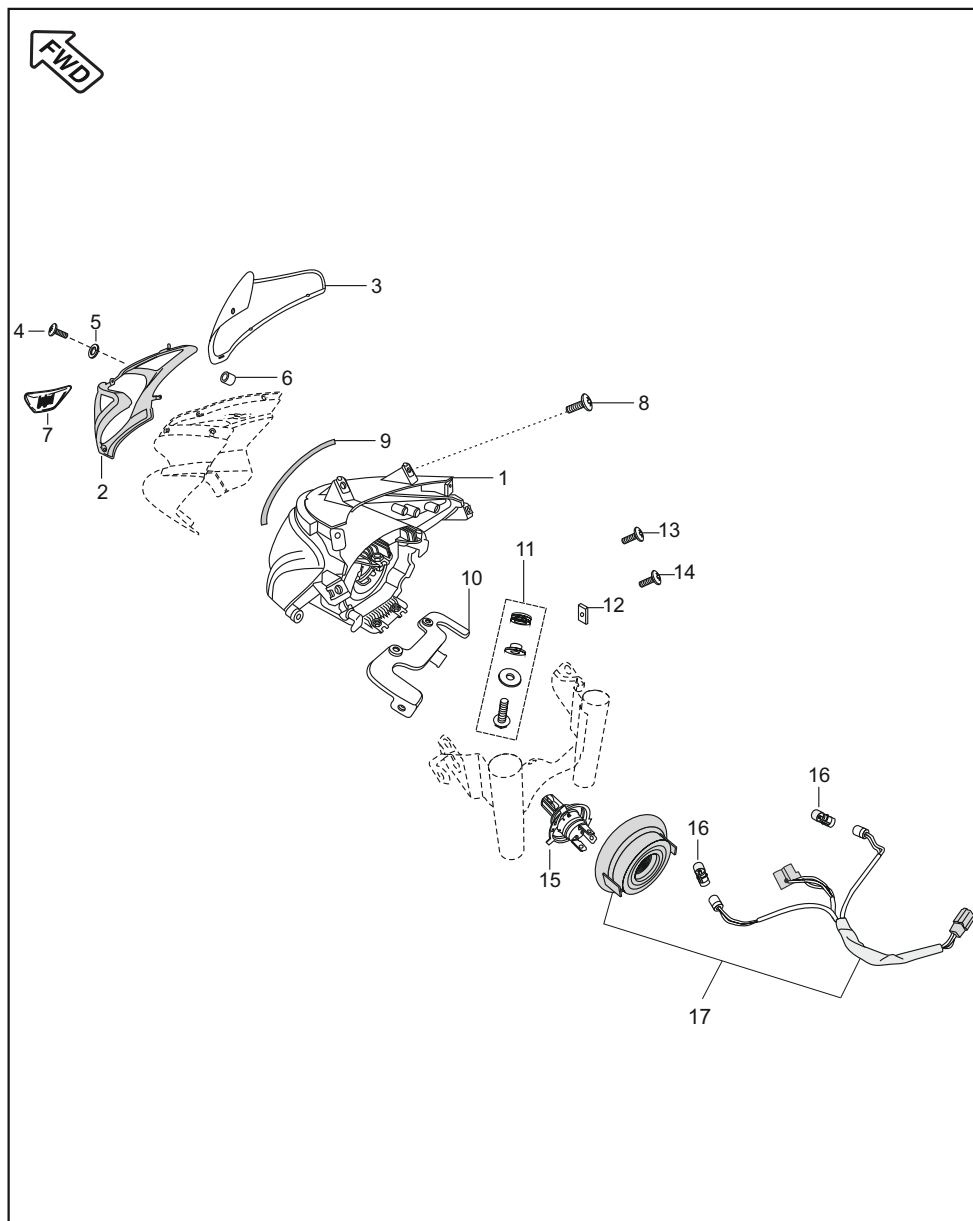
No.	Part No.	Description	Qty/Veh.	Remarks
1	DJ 1910 61	Cable Accelerator	1	
2	DJ 2012 18	Speedo Sensor With Cable 'O' Ring	1	
3	DJ 1910 15	Cable Clutch	1	
4	59 2100 19	'O' Ring	1	

Chain Case



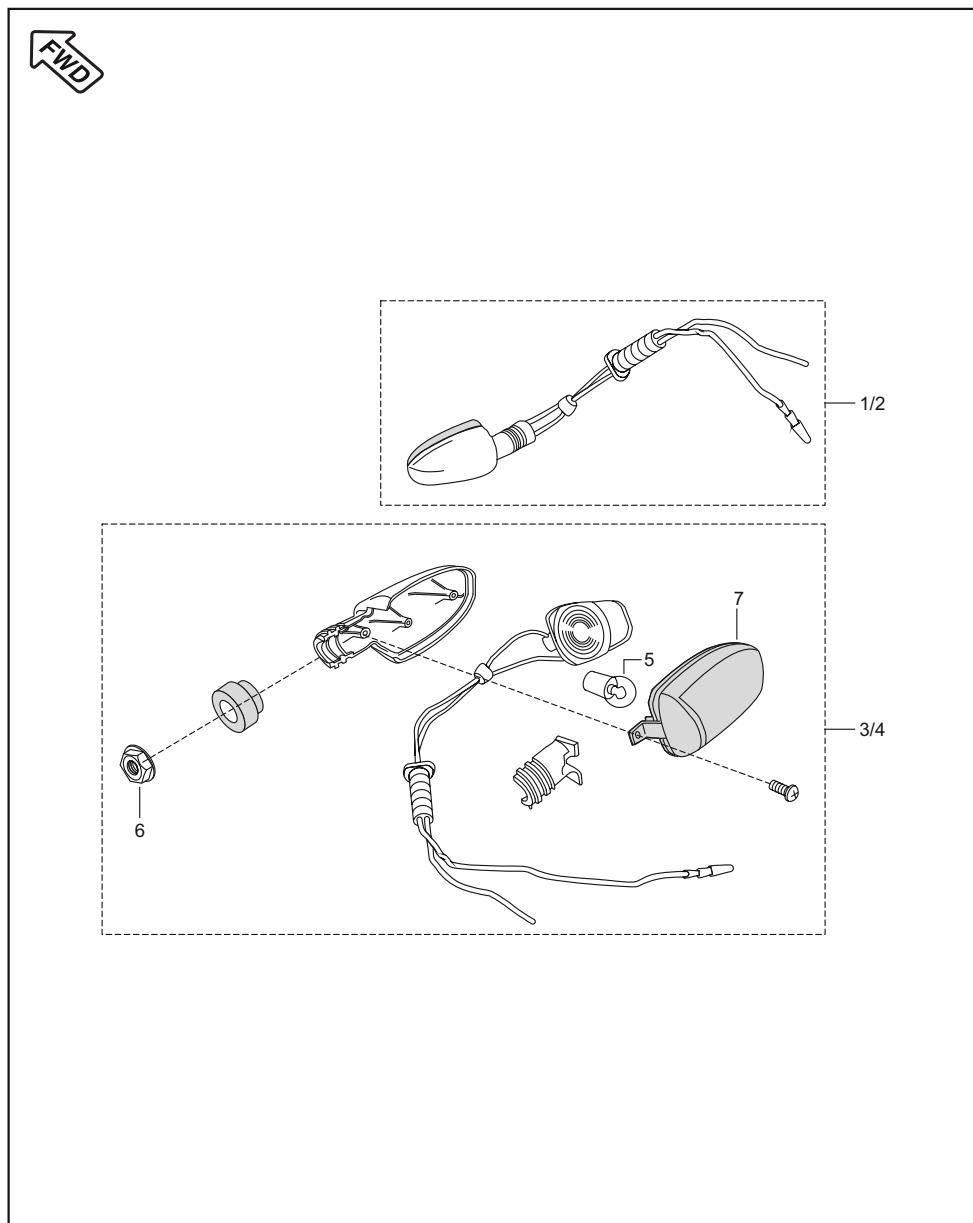
No.	Part No.	Description	Qty/Veh.	Remarks
1	52 DJ01 66	Case Chain Kit	1	
2	DH 1612 84	Rubber Beading	2	
3	15 1610 69	Rubber Cap	1	
4	DJ 1612 27	Instruction Label	1	
5	DH 1612 83	Bolt	4	Rear Side Mtg.
6	DX 1610 47	Washer	2	Front Side Mtg. (N.S.)
7	DH 1612 80	Plain Washer	2	(N.S.)

Head Lamp & Fairing



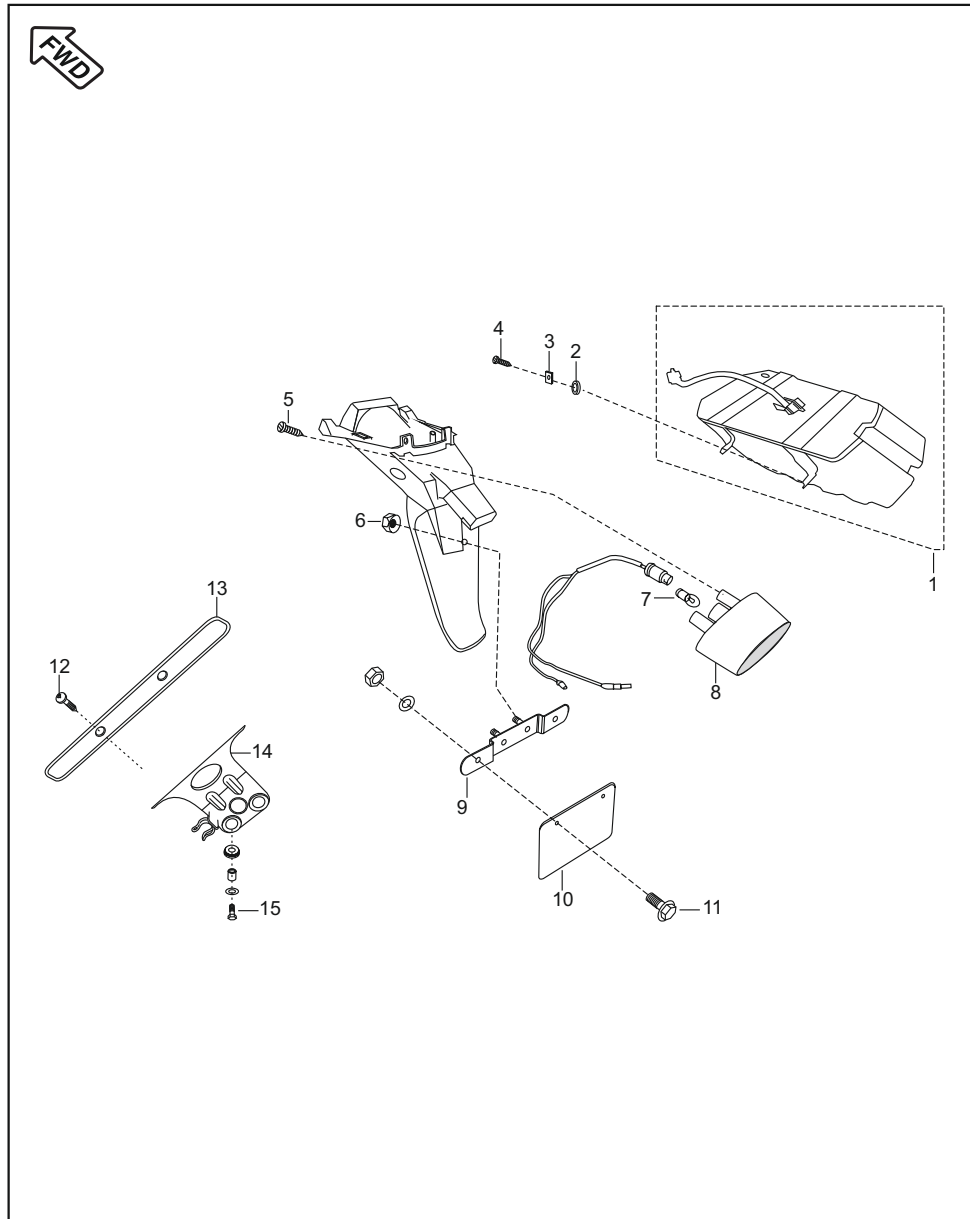
No.	Part No.	Description	Qty/Veh.	Remarks
1	DJ 2011 76	Head Lamp Assly. Without Bulb	1	
2	DJ 1811 20	Head Lamp Mask	1	
3	DJ 1810 33	Wind Shield	1	
4	DF 1810 98	Bolt M-5	4	
5	39 2141 24	Non Metallic Washer	4	
6	DL 1810 10	Well Nut	4	
7	DJ 1810 37	Decal Wind Shield	1	
8	39 1907 01	M5 X 15 Mushroom HD	2	
9	DJ 1810 69	Packing Fairing	1	
10	DH 1810 52	Fairing Mounting Upper Bracket	1	
11	36 DH40 20	Kit Hardware Mtg. Bracket	1	
12	DJ 1612 29	Clip Nut	4	
13	39 0716 01	Screw Pan Cross	2	
14	39 1524 01	Screw Pan Cross	2	
15	CL 2010 23	Lamp 12V 35/35W-HS1	1	
16	DJ 2010 72	Lamp Position 12V/ / 5W	2	
17	DH 2010 40	Harness W/O Bulb with Cap - Head Lamp	1	N.S

Indicator Light Assembly



No.	Part No.	Description	Qty/Veh.	Remarks
1	DJ 2012 07	Blinker Front LH Flexible	1	
2	DJ 2012 06	Blinker Front RH Flexible	1	
3	DJ 2012 06	Blinker RR LH Flexible	1	
4	DJ 2012 07	Blinker RR RH Flexible	1	
5	GH 2010 12	Lamp 12V / 10W	4	
6	39 1225 15	Hex Nut Flange	4	
7	DJ 2010 50	Lens For Blinker RH	1	
	DJ 2010 49	Lens For Blinker LH	1	

Tail Lamp Assly / FR & RR No. Plate

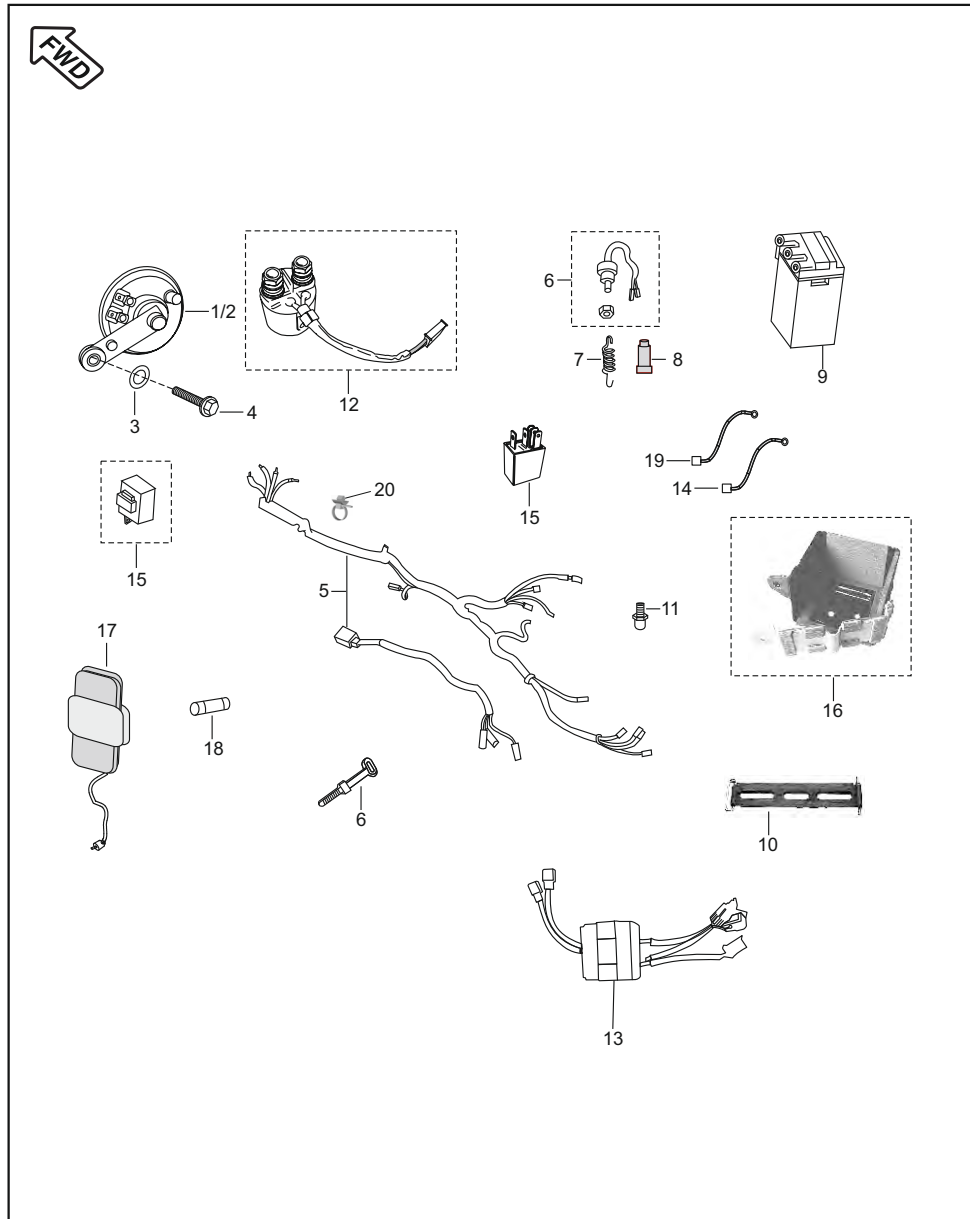


No.	Part No.	Description	Qty/Veh.	Remarks
1	DK 2010 03	Tail Light With Lamp	1	
2	DH 1612 93	Damper	2	
3	DK 1611 53	Clip Nut	4	
4	39 2592 01	Screw Pan Cross	4	
5	39 1907 01	Truss Screw	2	
6	39 1972 15	Bolt Flange	2	
7	30 2010 29	Lamp 12V-4W	1	
8	JW 4010 11	No. Plate Illumination	1	
9	DJ 1610 72	Rear No. Plate Bkt.	1	
10	DP 1611 45	Number Plate Rear	1	
11	39 1680 04	Hex Flanged Bolt	2	
12	39 1783 01	Truss Screw	2	For Front No. Plate
13	DP 1611 44	Number Plate Front	1	
14	DH 1612 92	No. Plate Mounting Bracket	1	
15	39 1074 04	Bolt Flange	2	

Tool Kit



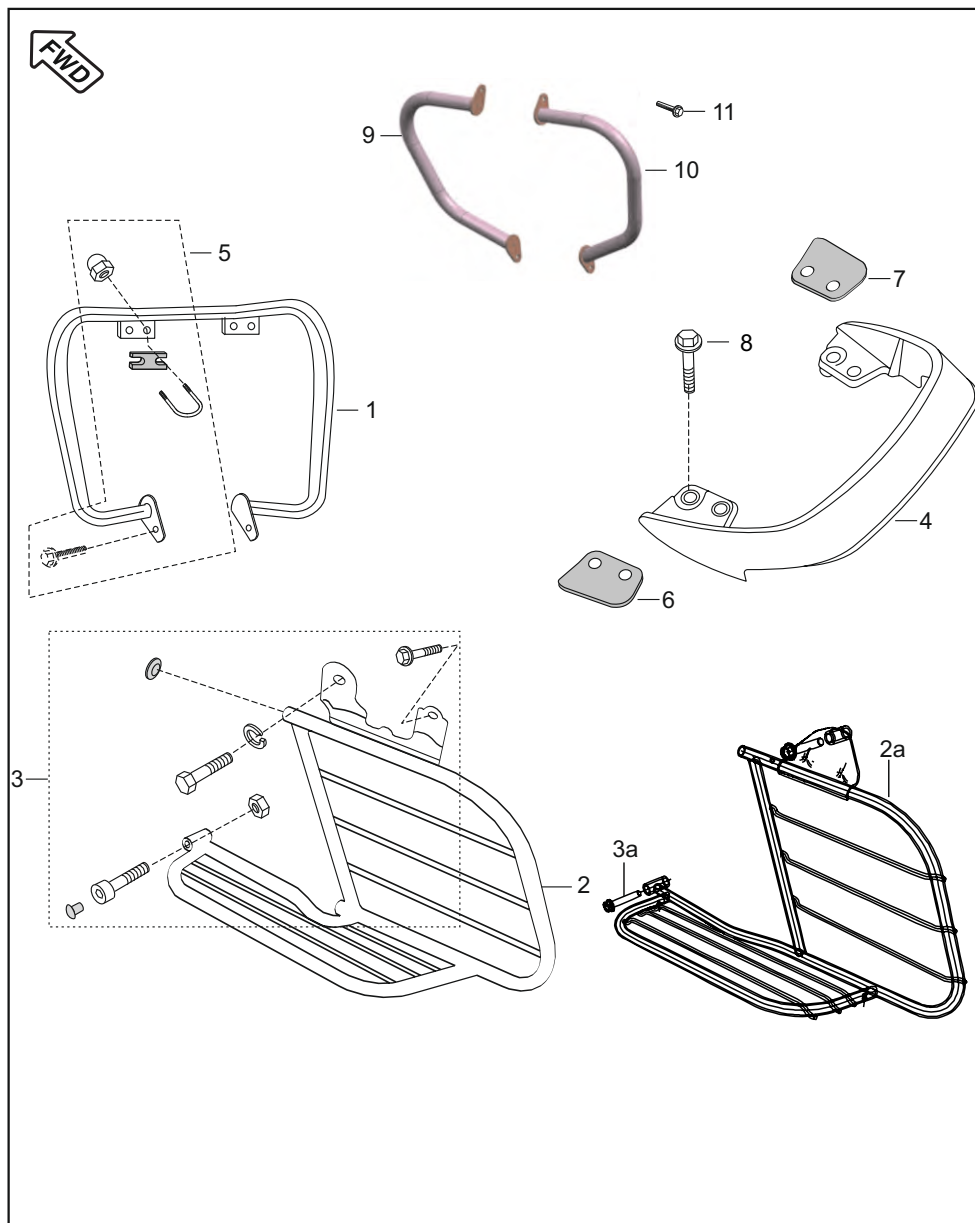
No.	Part No.	Description	Qty/Veh.	Remarks
1	DJ 2210 06	Tool Kit	1	
	DJ 2210 19	Tool Kit	1	
2	DH 2110 05	Band Tool Kit	2	



Electrical Equipments

No.	Part No.	Description	Qty/Veh.	Remarks
1	DK 2010 37	Horn	1	With LH Stay
2	DK 2010 38	Horn	1	With RH Stay
3	39 1507 11	Plain Washer	1	
4	39 1956 04	Flange Bolt	1	
5	DJ 2012 01	Wiring Harness	1	
	DH 2010 85	Wiring Harness	1	frm Ch NoM.D2A11CZ3CCC40192
	DH 2010 86	Wiring Harness (UG-5)	1	Ref. Cir. IB-70
	DH 2010 90	Wiring Harness	1	From Apr 2015
	DH 2010 91	Wiring Harness	1	From Oct. 2015
6	31 2010 79	Rear Brake Switch	1	Alt. DS 2010 29
7	DH 1910 12	Spring Brake Switch	1	
8	DH 2010 19	Grommet Rear Brake Switch	1	
9	JZ 4018 07	Battery 12V 7Ah Dry	1	N.S
	DJ 2011 26	Battery 12V 9Ah Dry	1	
10	DJ 1612 47	Band Battery Bkt.	1	
11	39 1944 04	Flange Bolt	1	
12	DK 2010 78	Starter Relay	1	
13	JC 2010 16	Switch Electronic Control Unit	1	Not Applicable for UG-5
14	DJ 2011 40	Cable Assly. (Battery To Earth)	1	
15	AL 2010 12	Kill Switch Relay	1	Not Applicable for UG-5
	DJ 2010 28	Relay (Interlocking)	1	Ref. Cir. C-19
16	DH 1611 26	Bracket Battery	1	N.S
17	30 2011 04	Fuse Box Assly.	1	
18	30 2010 85	Fuse	1	
19	DJ 2010 20	Cable Assly. (Battery To St. Relay)	1	
20	60 1114 15	Cable Tie Lock	4	frm Chassis No.MD2A11CZ3CCC40192
21	JZ 4010 13	Head Lamp Control Unit (UG-5)	1	Ref. Cir. IB-70
	JL 4020 04	Light Control Module(Bulb)	1	From Apr 2015
22	DS 2010 25	DC Flasher	1	Ref. Cir. IB-70
23	DH 1614 21	BKT for Flasher/HLC Unit (UG-5)	1	Ref. Cir. IB-70
	DH 1614 85	Bkt LCM Mtg	1	From Apr 2015
24	LA D000 40	Bolt for BKT Mtg (UG-5)	1	Ref. Cir. IB-70

Accessories / Grab Handle



No.	Part No.	Description	Qty/Veh.	Remarks
1	DJ 1612 26	Leg Guard assly	1	
2	DJ 2210 16	Sari Guard Assly.	1	
2a	DH 1615 09	Sari Guard Assly.	1	Ref. Cir. IB-243
3	36 DH40 17	Kit hardware sari guard	1	N.S
3a	KA DA08 45	Bolt	2	Ref. Cir. IB-243
4	DJ 1612 63	Grab Handle Assly.	1	
5	36 DH40 18	Kit hardware leg gaurd	1	Ref. Page No.105
6	DJ 1610 79	Foam LH For grab	1	
7	DJ 1610 80	Foam RH For grab	1	
8	39 2310 04	Flange Bolt Hex.Head with Flange	4	
9	36 DH07 67	Leg Guard Kit	1	
10	36 DH07 67	Leg Guard Kit	1	
11	39 1956 04	Bolt Flange	2	
For Split type LEG Guard UG-5 (Ref. Circular IB-70)				

Kit List

Sr. No.	Kit Part No.	Kit Description	Consisting of Following Parts		
			Part No.	Description	Qty./Kit
1	36DS1001	Cyl.Head O Ring Kit	39239121	O Ring (Cover tappet)	2
			39128321	O ring	2
2	36DJ1004	Valve Kit	DJ101124	Valve Intake	1
			DJ101125	Valve Exhaust	1
3	36DK0005	Valve Repair Kit	DS101083	Retainer valve spring	2
			DH101731	Spring valve inner	2
			DH101730	Spring valve outer	2
			DH101026	Seat valve spring	2
4	36DK0039	Guide Chain Kit	DH101017	Guide chain (Tight)	1
			DK101059	Guide Chain (slack)	1
5	36DH4009	Set primary drive & driven	DH101628	Gear primary drive	1
			DH101859	Clutch Housing com.	1
6	36DH4019	Kit centrifugal oil filter	39220011	Washer	1
			DH101234	Gasket centrifugal oil filter	1
			Dh101640	Screw	1
			DH101066	Join oil dealivery	1
			DH101067	Spring oil delivery	1
			39219908	Pin oil delivery joint	1
7	36DH1004	Set Damper	DH101284	Damper A	1
			DH101285	Damper B	1
			DH101286	Damper C	1
			DH101287	Damper D	1
8	36DH1005	Set of Plate	DH101288	Plate A	1
			DH101289	Plate B	1
			DH101290	Plate C	1
			DH101291	Plate D	1
9	36DH1006	Set Damper	DH101282	Damper Cover Magneto	1
			DH101292	Damper A Cover LH RR	1
			DH101294	Damper B Cover LH RR	1
10	36DH1007	Set of Plate	DH101283	Plate Damper	1
			DH101293	Plate Damper Cover LH RR	1
11	36DH1008	Boss Kick Set	DH101185	Spring Kick Starter Arm	1
			DH101068	Ball steel	1
			DH101547	Base kick lever	1
			DH101548	Hex. bolt with flange	1
			DH101320	Bolt	1
12	36DH4010	Kit Hardware Air Cleaner	DH101320	Bracket lock	1
			1110609	Plain washer	1
			39178001	Screw pan cross	1
			39177304	Bolt flange	4
			31121043	Coller	3



Front Wheel Direction

Kit List

	Kit Part No.	Kit Description	Consisting of Following Parts		
			Part No.	Description	Qty./Kit
			39071111	Plain washer	3
13	36DK0015	Kit element air filter	DK121002	Element air filter fine	1
			DK121003	Element air filter coarse	1
14	36DH4011	Kit hardware shield	DH101301	Seal shield muflar	2
			DH101395	Trust screw	2
			DH101481	Grommet shield	1
15	36DK0009	Kit hardware silencer	39185004	Flange bolt	1
			39242511	Plain washer	1
			DD161071	U nut	1
			DH161155	Damper silencer	1
			DH161157	Tube silencer mounting	1
16	36DK0011	Kit hardware engine mounting	39231204	Bolt flange	4
			39197015	Nut flange	8
			39241304	Bolt flange	1
			DH161245	U Nut	3
17	36DS1802	Bearing cone kit	DH181025	Bearing cone	1
			DH181026	Bearing race	1
			DH181024	Upper bearing race	1
18	36DK0012	Kit bush rear shock absorber	39071411	Plain washer	8
			39071215	Dome cap nut	2
			39073712	Spring washer	2
19	36DK0013	Kit hardware pillion	DJ161186	Plait side pillion stape	2
			DH161061	Pin pillion set	2
			30141031	"O" ring	2
			39104011	Plain washer	2
			39078408	Split pin	2
20	36DH4012	Kit lever brake	30151038	"O" ring	1
			30101005	Indicator	1
			DJ151059	Lever brake	1
			39244704	Lever brake	1
			39079815	Nut	1
21	36DH4013	Chain sprocket kit	DH151056	Sprocket (43 teeth)	1
			Dh151051	Chain	1
			DH101117	Sprocket Drive	1
22	36DK0016	Kit hardware bracket pedal	39212104	Flange bolt	1
			DH191013	Sprocket brake shifter assly	1
			39153721	"O" ring	1
			DH191023	Dust cap	1

SPC Updation Details

Page no.	Fig. no.	Old part no.	New part no.	Description	Updation date	Remarks
70	3	DJ151088	JG131219	COUPLING RUBBER	30.01.12	MODIFIED FOR IMPROVEMENT
70	6	-----	JN131812	SHOE BRAKE ASSLY	30.01.12	NON ASBESTOS IMPLEMENTATION
78	21	-----	DJ201246	CLUTCH SWITCH	30.01.12	TRANSIL DIODE TYPE
76	8	-----	DJ191083	CLUTCH LEVER	30.01.12	FOR TRANSIL DIODE TYPE CLUTCH SWITCH
74	4	-----	JF401400	CONTROL SWITCH LH	28.08.13	FOR UG-5 REF. CIR. IB-70
74	5	-----	JF401401	CONTROL SWITCH RH	28.08.13	FOR UG-5 REF. CIR. IB-70
76	5	-----	JF401400	CONTROL SWITCH LH	28.08.13	FOR UG-5 REF. CIR. IB-70
76	6	-----	JF401401	CONTROL SWITCH RH	28.08.13	FOR UG-5 REF. CIR. IB-70
90	1	-----	DH191065	SPEEDOMETER ASSLY	28.08.13	FOR UG-5 REF. CIR. IB-70
102	5	-----	DH201086	WIRING HARNESS	28.08.13	FOR UG-5 REF. CIR. IB-70
102	21	-----	JZ401013	H/L CONTROL UNIT	28.08.13	FOR UG-5 REF. CIR. IB-70
102	22	-----	DS201025	DC FLASHER	28.08.13	FOR UG-5 REF. CIR. IB-70
102	23	-----	DH161421	BKT FOR FLASHER/HLC	28.08.13	FOR UG-5 REF. CIR. IB-70
102	24	-----	LAD00040	BOLT FOR MTG BKT	28.08.13	FOR UG-5 REF. CIR. IB-70
106	9	-----	DH221008	LEG GUARD LH	28.08.13	FOR UG-5 REF. CIR. IB-70
106	10	-----	DH221009	LEG GUARD RH	28.08.13	FOR UG-5 REF. CIR. IB-70
106	11	-----	39195604	FLANGE BOLT	28.08.13	FOR UG-5 REF. CIR. IB-70
88	12	-----	DG161121	SCREW	02.09.13	DESIGN CHANGE
88	18	-----	DG181065	CLIP NUT M6	02.09.13	DESIGN CHANGE
28	9	-----	52DH0695	COVER LH RR	11.11.13	UPDATION
4	1	36DH4046	36DH4050	KITCYLINDERHEADCOVER	20.03.14	ALT. UPDATION
14	6	DJ101133	DH101424	SPRINGTORSIONBLNCERID	20.03.14	ALT. UPDATION
16	19	DH101333	DK101719	GEAR2NDRIVEN	20.03.14	ALT. UPDATION
18	5	DK101382	DK101732	DRUMCOMP.GEARSHIFT	20.03.14	ALT. UPDATION
32	7	DH101123	DH101353	PINIONKICKSTARTER	20.03.14	ALT. UPDATION
38	1	DJ101243	36DH4053	SILENCERASSLY.WITHCAT	20.03.14	ALT. UPDATION
38	1	DH101926	36DH4053	SILENCERASSLY.W/OSHD	20.03.14	ALT. UPDATION
46	13	DJ101278	52DH0153	COVERSTARTERMOTOR	20.03.14	ALT. UPDATION
82	2	52DH0532	52DK5506	SIDECOVERLH	20.03.14	ALT. UPDATION
82	3	52DH0533	52DK5507	SIDECOVERRH	20.03.14	ALT. UPDATION
82	4	DH73034L	52DK0027	SEATCOWLASSLY.	20.03.14	ALT. UPDATION
82	5	DJ73024L	52DH0278	FRONTFENDER	20.03.14	ALT. UPDATION
84	7	DH74014L	DJ181090	FAIRING	20.03.14	ALT. UPDATION
104	1	DJ221006	DJ221019	TOOLKIT	20.03.14	ALT. UPDATION
16	19	DH101333	DK101719	GEAR2NDRIVEN	20.03.14	ALT. UPDATION
18	5	DK101382	DK101732	DRUMCOMP.GEARSHIFT	20.03.14	ALT. UPDATION
106	9	DH221008	36DH0767	LEG GUARD KIT	20.03.14	ALT. UPDATION
106	9	DH221009	36DH0767	LEG GUARD KIT	20.03.14	ALT. UPDATION
34	1	DH121138	DH121188	CARBURETORASSLY.	05.04.14	REF CI IB-101
36	1	DH121178	DH121189	AIR FILTER ASSLY.	05.04.14	REF CI IB-101
36	4	AA121045	DH121190	CLAMP	05.04.14	REF CI IB-101
20	8	DH101503	DK101725	STOPPER DRUM	13.10.14	REF. TO MAIL DATED. 13.10.2014
14	4	DH101432	36DH4057	IDL GEAR KIT	29.11.24	ALTERNATE UPDATION
38	10	DH101759	DH101608	SHIELD TUBE	02.01.15	ALTERNATE UPDATION
36	2	DH101468	DH102139	SHIELD MUFFLER	12.02.15	REF. CIR. IB-157
34	15	---	DD111046	TPS ASSLY	30.03.15	REF. TO MAIL DATED 23.03.2015
102	5	DH201090	DH201091	WIRING HARNESS	06.10.15	FROM OCT 2015
102	22	JL402004	DS201025	DC FLASHER	06.10.15	FROM OCT 2015
62	1	DJ151077	DH151077	WHEEL RIM	19.10.15	EC-U14DHCHA0183
62	2	DS151048	JF131010	TYRE	19.10.15	EC-U14DHCHA0183
62	3	DS151049	DK151026	VALVE	19.10.15	EC-U14DHCHA0183
62	4	DJ151087	DH151079	WHEEL RIM	19.10.15	EC-U14DHCHA0183
62	5	DS151031	JF131211	TYRE TUBLESS	19.10.15	EC-U14DHCHA0183

SPC Updation Details

Page no.	Fig. no.	Old part no.	New part no.	Description	Updation date	Remarks
62	6	DS151029	DK151026	VALVE	19.10.15	EC-U14DHCHA0183
14	1	DH900014	DH102050	ASSLY BODY BALANCER	19.11.15	ALT. UPDATION
30	2	36DH4095	DH101877	FRICITION PLATE KIT	10.12.15	REF. CIR. IB-195
30	3	DH102087	DH101853	CLUTCH PLATE ASSLY.	10.12.15	REF. CIR. IB-195
30	4	DH102092	DH101862	CLUTCH CENTER	10.12.15	REF. CIR. IB-195
30	5	DH102093	DK101569	PLATE CLUTCH PRESSURE	10.12.15	REF. CIR. IB-195
30	7	36DH4094	DK101565	PLATE CLUTCH	10.12.15	REF. CIR. IB-195
30	8	DH102096	DH101861	SPRING CLUTCH CAPACITY	10.12.15	REF. CIR. IB-195
30	12	DH102094	DK101573	HOLDER CLUTCH	10.12.15	REF. CIR. IB-195
30	18	DH102098	DK101570	SEAT JUDDER SPRING	10.12.15	REF. CIR. IB-195
30	19	DH102097	DK101571	SPRING JUDDER	10.12.15	REF. CIR. IB-195
16	9	36DH4009	36DH4093	SET PRI DRV & DRVN	10.12.15	REF. CIR. IB-195
8	6	DS101276	PD511229	SPROCKET CAMSHAFT	29.04.16	REF. CIR. IB-224
84B	12	DJ161373	DJ161403	TANK 3D DECAL LH SHADED	17.06.16	REF. CIR. IB-234
84B	12	DJ161374	DJ161404	TANK 3D DECAL RH SHADED	17.06.16	REF. CIR. IB-234
18	8	DK101361	DH102189	GUIDE GEAR SHIFT	22.08.16	REF. EC NUMBER: U15DHTRA0008
108	2	DJ221016	DH161509	SARI GUARD ASSLY.	24.08.16	REF. CIR. IB-243
108	3	36DH4017	KADA0845	BOLT	24.08.16	REF. CIR. IB-243

Parts Index



Part No.	Figure No.	Page No.
15161069	3	96
22150451	7	54
28101174	14	24
30101061	21	16
30101142	3	26
30141028	10	88
30141032	11	88
30141039	6	88
30141052	16	88
30151011	7	70
30151033	4	64
30151069	5	70
30151075	2	70
30151082	19	70
30151095	8	72
30151105	6	70
30161157	2	60
30181011	3	50
30181025	7	80
30181026	6	80
30181029	14	80
30201029	7	102
30201085	18	106
30201104	17	106
31101173	4	12
31121006	9	10
31181101	15	80
31181120	18	80
31201079	6	106
35171033	17	52
36314001	24	80
39021111	12	58
39029215	16	52
39029215	8	56
39042215	10	60

Part No.	Figure No.	Page No.
39045411	12	52
39055302	11	52
39071111	7	58
39071601	13	98
39073817	18	32
39074011	18	52
39074011	8	88
39075201	6	24
39078111	9	64
39078615	8	64
39078708	3	60
39078708	1	64
39078912	26	80
39079415	24	70
39080115	14	70
39084001	16	64
39090012	15	64
39097204	10	46
39099311	9	32
39099906	11	26
39099906	6	28
39104119	4	26
39106204	24	16
39106204	4	22
39106901	7	56
39107404	15	102
39107504	9	2
39118011	27	78
39118415	10	74
39118415	17	76
39122515	6	100
39128215	6	54
39128321	6	4
39128321	3	28
39128321	8	28

Parts Index



Part No.	Figure No.	Page No.
39150711	3	106
39152401	14	98
39155304	10	76
39155604	5	90
39162011	9	14
39166005	2	4
39167204	3	14
39167204	13	58
39167404	9	4
39167404	14	8
39167404	11	14
39167404	9	30
39167404	2	42
39167704	22	24
39168004	7	50
39168004	8	58
39168004	11	102
39168606	8	14
39168606	4	42
39171519	4	24
39177802	2	92
39178001	11	34
39178001	2	88
39178301	12	102
39181304	27	80
39184504	21	24
39188020	4	8
39188020	11	30
39190204	6	20
39190204	4	40
39190204	8	90
39190701	8	98
39190701	5	102
39194304	21	74
39194304	19	76

Part No.	Figure No.	Page No.
39194404	10	44
39194404	11	106
39195604	4	106
39195604	11	108
39196704	10	48
39197015	5	38
39197215	6	102
39201719	5	6
39203804	10	64
39206004	12	60
39214124	5	98
39215220	5	14
39215704	7	48
39215811	2	16
39215911	13	16
39216011	9	16
39216511	3	12
39216611	11	16
39218006	8	22
39218106	2	10
39218304	2	12
39218520	9	24
39218919	10	24
39219019	11	24
39219421	6	42
39220011	17	30
39220207	7	26
39220307	8	12
39220804	20	26
39220804	11	28
39220804	24	74
39224020	20	70
39224120	4	70
39227611	17	32
39231004	13	48

Parts Index

Part No.	Figure No.	Page No.
39231004	2	54
39231004	8	108
39234411	10	32
39236220	2	64
39238104	3	88
39241204	8	48
39241204	14	48
39241404	11	48
39242411	4	90
39242704	16	74
39242704	16	76
39244011	9	6
39244311	18	26
39244811	20	24
39245711	15	48
39253105	3	22
39253105	2	24
39253204	8	2
39254220	3	8
39255717	7	14
39256120	6	12
39256611	15	70
39256711	12	70
39258204	9	56
39258320	6	22
39258320	8	24
39259201	4	102
39260120	9	22
39260220	7	22
39260320	7	24
39260607	7	18
39260801	11	4
39263904	6	18
39264715	6	2
39268620	1	70

Part No.	Figure No.	Page No.
39274304	3	74
59020001	11	90
59040048	2	68
59100002	1	44
59110002	9	6
59200007	9	46
59200028	9	24
59210019	4	94
60111415	20	106
36DH0767	9	108
36DH0767	10	108
36DH1004	19	26
36DH1005	23	26
36DH1006	10	28
36DH1007	13	28
36DH1008	3	32
36DH1601	1	90
36DH1902	15	66
36DH4009	9	12
36DH4010	2	36
36DH4011	3	38
36DH4013	17	70
36DH4014	6	72
36DH4015	7	72
36DH4017	3	108
36DH4018	5	108
36DH4019	13	12
36DH4020	11	98
36DH4030	5	8
36DH4031	1A	26
36DH4034	2	86
36DH4035	1	86
36DH4037	2	86
36DH4038	1	86
36DH4042	4	86

Parts Index

Part No.	Figure No.	Page No.
36DH4043	4	86
36DH4044	1A	26
36DH4046	1	4
36DH4047	23	74
36DH4050	1	4
36DH4053	1	38
36DH4053	1	38
36DH4057	4	14
36DH4062	15	84B
36DH4063	15	84B
36DH4064	15	84B
36DH4065	17	84B
36DH4066	17	84B
36DH4067	17	84B
36DH4068	18	84B
36DH4069	14	84B
36DH4070	16	84B
36DH4077	15	84B
36DH4079	18	84B
36DH4093	9	12
36DH4094	7	30
36DH4095	2	30
36DJ4008	4	10
36DJ4037	18	84B
36DJ4039	18	84B
36DJ4043	16	84B
36DJ4044	17	84B
36DJ4045	16	84B
36DJ4046	14	84B
36DJ4047	14	84B
36DJ4048	14	84B
36DK0009	6	38
36DK0011	4	48
36DK0012	3	52
36DK0013	9	54

Part No.	Figure No.	Page No.
36DK0013	6	56
36DK0014	9	70
36DK0015	5	36
36DK0016	3	72
36DK0020	2	80
36DK0037	11	74
36DK0076	1	46
36DK0084	3	86
36DK0088	3	86
36DK0105	19	84B
36DK0106	19	84B
36DS1001	3	2
36DS1001	12	4
36DS1002	7	6
36DS1003	6	6
36DS1802	5	50
36DS4002	10	58
36DU1901	11	76
36JC0008	12	84B
36JC0009	12	84B
52DH0153	13	46
52DH0169	1	42
52DH0177	10	14
52DH0278	5	84
52DH0528	2	82
52DH0529	3	82
52DH0530	2	82
52DH0531	3	82
52DH0534	2	82
52DH0535	3	82
52DH0541	8	84
52DH0542	9	84
52DH0543	8	84
52DH0544	9	84
52DH0545	8	84

Parts Index

Part No.	Figure No.	Page No.
52DH0546	9	84B
52DH0547	8	84
52DH0548	9	84
52DH0624	1A	28
52DH0673	2	82
52DH0674	3	82
52DH0675	2	82
52DH0676	3	82
52DH0686	1A	28
52DH0695	9	28
52DH0810	7	84
52DH0811	8	84
52Dh0812	9	84B
52Dh0814	9	84B
52DH0815	8	84
52DH0816	9	84
52Dh0820	5	84
52DH0820	5	84
52DH0821	5	84
52DH0822	5	84
52DH0822	5	84
52Dh0823	2	82
52Dh0824	3	82
52DH0843	1	82
52DH0844	1	82
52DH0846	5	84
52DH0879	8	84
52DH0880	9	84B
52DH0885	5	84
52DH0886	8	84
52DH0887	9	84B
52DH0943	1	82
52Dh0943	8	84
52Dh0944	9	84B
52Dh0947	2	82

Part No.	Figure No.	Page No.
52Dh0948	3	82
52Dh0949	5	84
52Dh0951	4	84
52Dh0952	7	84
52DJ0166	1	96
52DJ0196	1	26
52DJ0532	2	82
52DJ0533	3	82
52DJ0534	2	82
52Dj0535	3	82
52DJ0536	2	82
52DJ0537	3	82
52DJ0545	1	82
52DJ0546	1	82
52DJ0555	1	82
52DJ0556	1	82
52DJ0557	1	82
52DJ0562	2	82
52DJ0563	3	82
52DJ0566	7	84
52DJ0578	7	84
52DJ0625	1	82
52DK0027	4	84
52DK5506	2	82
52DK5507	3	82
56Dh052V	5	84
56DH456E	4	84
56DK452V	4	84
56DK455N	4	84
56DK455Y	4	84
56Dk45X3	4	84
AA121045	4	36
AL201012	15	106
BA122003	13	88
CL201023	15	98

Parts Index

Part No.	Figure No.	Page No.
CS101128	1	8
DD101062	15	8
DD101097	2	32
DD111012	15	44
DD111046	15	34
DD121007	10	10
DD141227	7	88
DD191015	11	50
DD191085	9	74
DD201024	18	44
DE151006	3	64
DE151008	6	64
DE151012	5	64
DE151037	6	68
DE151043	7	68
DE151046	4	68
DE151047	5	68
DE191010	5	66
DE191011	4	66
DE191033	6	66
DE191043	1	66
DE191058	14	66
DF161102	9	60
DF181098	4	98
DG101029	4	6
DG101418	8	26
DG101498	11	2
DG101498	16	24
DG111008	8	44
DG141028	15	88
DG151089	1	68
DG161121	3	90
DG161121	12	90
DG161124	7	38
DG171038	2	52
DG181008	3	58

Part No.	Figure No.	Page No.
DG181008	20	80
DG181065	18	90
DH101006	5	22
DH101016	1	10
DH101018	12	26
DH101048	8	8
DH101050	10	8
DH101064	10	12
DH101065	12	12
DH101072	2	14
DH101078	3	16
DH101079	4	16
DH101080	6	16
DH101082	7	16
DH101084	8	16
DH101108	12	16
DH101110	14	16
DH101111	15	16
DH101113	17	16
DH101116	20	16
DH101117	22	16
DH101121	8	32
DH101123	7	32
DH101125	13	32
DH101141	5	26
DH101142	6	26
DH101143	2	20
DH101144	3	20
DH101146	3	18
DH101154	13	26
DH101157	2	28
DH101157	7	28
DH101163	16	46
DH101169	25	24
DH101172	7	46
DH101180	16	30

Parts Index

Part No.	Figure No.	Page No.
DH101195	11	12
DH101197	2	26
DH101199	6	44
DH101203	12	24
DH101235	5	16
DH101246	13	24
DH101272	10	2
DH101275	1	30
DH101295	8	6
DH101319	18	16
DH101321	14	32
DH101323	12	28
DH101333	19	16
DH101353	7	32
DH101380	7	44
DH101381	5	44
DH101385	16	32
DH101385	5	46
DH101386	4	44
DH101387	9	8
DH101389	14	46
DH101390	23	24
DH101392	12	8
DH101393	7	20
DH101394	10	20
DH101397	4	20
DH101412	7	8
DH101414	7	10
DH101416	10	16
DH101422	24	24
DH101423	5	24
DH101424	6	14
DH101432	4	14
DH101468	2	38
DH101485	13	30

Part No.	Figure No.	Page No.
DH101487	10	22
DH101493	4	18
DH101496	9	18
DH101502	9	20
DH101503	8	20
DH101508	4	4
DH101509	5	20
DH101521	8	38
DH101531	5	32
DH101536	11	32
DH101537	4	32
DH101538	15	32
DH101539	19	32
DH101540	6	32
DH101540	12	32
DH101544	17	26
DH101545	1	32
DH101581	4	46
DH101607	9	38
DH101608	10	38
DH101648	15	30
DH101654	3	24
DH101661	15	24
DH101665	3	10
DH101671	5	10
DH101672	1	12
DH101680	3	4
DH101703	2	8
DH101705	1	20
DH101759	10	38
DH101784	18	24
DH101853	3	30
DH101861	8	30
DH101862	4	30
DH101863	1	2

Parts Index

Part No.	Figure No.	Page No.
DH101863	1	4
DH101864	6	10
DH101869	1	22
DH101877	2	30
DH101877	6	30
DH101898	5	4
DH101903	2	8
DH101919	1	22
DH101926	1	38
DH102050	1	14
DH102056	1	22
DH102087	3	30
DH102092	4	30
DH102093	5	30
DH102094	12	30
DH102096	8	30
DH102097	19	30
DH102098	18	30
DH102104	1	14
DH102139	2	38
DH102189	8	18
DH111012	10	4
DH111013	16	44
DH111015	14	44
DH111016	17	44
DH111072	9	44
DH111077	12	44
DH111078	13	44
DH111081	2	44
DH111083	3	44
DH111084	11	46
DH121010	3	42
DH121011	15	26
DH121012	16	26
DH121035	5	42

Part No.	Figure No.	Page No.
DH121038	8	4
DH121093	12	34
DH121101	9	34
DH121106	7	4
DH121132	3	36
DH121135	1	36
DH121138	1	34
DH121141	4	34
DH121150	13	34
DH121153	5	4
DH121154	1	34
DH121162	7	34
DH121166	8	34
DH121168	3	34
DH121171	2	34
DH121173	4	34
DH121178	1	36
DH121188	1	34
DH121189	1	36
DH121190	4	36
DH141020	6	84
DH141020	17	88
DH141023	6	90
DH141024	14	88
DH141031	2	90
DH141048	5	88
DH141050	1	88
DH151029	10	72
DH151077	1	62
DH151079	4	62
DH161053	4	54
DH161056	8	54
DH161066	7	60
DH161112	2	50
DH161121	4	60

Parts Index

Part No.	Figure No.	Page No.
DH161126	16	106
DH161145	5	60
DH161146	8	60
DH161155	11	56
DH161157	10	56
DH161170	1	48
DH161194	5	54
DH161258	2	58
DH161268	2	48
DH161269	3	48
DH161273	9	48
DH161280	7	96
DH161283	5	96
DH161284	2	96
DH161292	14	102
DH161293	2	102
DH161301	12	48
DH161302	14	60
DH161321	1	50
DH161371	10	84B
DH161404	1	56
DH161405	2	56
DH161416	2	36
DH161421	23	106
DH161485	23	106
DH171012	9	52
DH171013	6	52
DH171014	5	52
DH171015	7	52
DH171019	8	52
DH171019	13	70
DH171023	1	52
DH181009	12	80
DH181014	4	50
DH181015	13	80

Part No.	Figure No.	Page No.
DH181052	10	98
DH181053	2	74
DH181055	1	74
DH181056	19	80
DH181060	1	80
DH181063	4	80
DH181064	5	80
DH181066	23	80
DH181069	25	74
DH181069	25	78
DH181083	16	80
DH181086	1	80
DH181087	9	80
DH181091	1	76
DH181091	19	80
DH181092	23	80
DH181094	3	76
DH181096	2	76
DH181099	28	78
DH181100	1	80
DH181101	5	80
DH181103	3	76
DH181104	2	76
DH181105	1	76
DH181107	3	76
DH181109	2	76
DH181119	25	74
DH181119	25	78
DH191001	1	72
DH191006	4	72
DH191007	12	74
DH191007	12	76
DH191008	13	74
DH191008	13	76
DH191012	7	106

Parts Index

Part No.	Figure No.	Page No.
DH191017	24	78
DH191019	14	74
DH191056	1	92
DH191065	1	92
DH201019	8	106
DH201040	17	98
DH201062	9	88
DH201085	5	106
DH201086	5	106
DH201090	5	106
DH201091	5	106
DH211005	2	104
DH221008	9	108
DH221009	10	108
DH71032V	1	82
DH71034K	1	82
DH71034L	1	82
DH71034M	1	82
DH73032V	4	82
DH73034K	4	82
DH73034M	4	82
DH74014K	7	84
DH74014M	7	84
DH900014	1	14
DJ101063	23	16
DJ101064	4	38
DJ101110	16	16
DJ101133	6	14
DJ101137	11	8
DJ101213	2	22
DJ101217	2	2
DJ101243	1	38
DJ101259	1	38
DJ101268	9	28
DJ101271	1	28

Part No.	Figure No.	Page No.
DJ101278	13	46
DJ101344	1	24
DJ121022	7	4
DJ121039	3	36
DJ121040	1	36
DJ121053	5	34
DJ121054	6	34
DJ121055	7	34
DJ121059	14	34
DJ121070	10	34
DJ141006	12	88
DJ141008	10	50
DJ141008	7	90
Dj141056	4	88
DJ141061	13	84B
DJ151032	10	70
DJ151033	23	70
DJ151034	11	70
DJ151035	16	70
DJ151036	13	52
DJ151037	14	52
DJ151041	13	64
DJ151042	9	72
DJ151047	15	52
DJ151053	25	70
DJ151059	26	70
DJ151068	3	68
DJ151069	4	68
DJ151070	5	68
DJ151071	6	68
DJ151072	7	68
DJ151073	8	68
DJ151074	9	68
DJ151075	10	68
DJ151076	2	66

Parts Index

Part No.	Figure No.	Page No.
DJ151077	1	62
DJ151087	4	62
DJ151092	8	70
DJ161012	14	28
DJ161069	1	58
DJ161072	9	102
DJ161079	6	108
DJ161080	7	108
DJ161088	16	48
DJ161089	17	48
DJ161091	6	58
DJ161114	5	48
DJ161115	6	48
DJ161122	5	56
DJ161128	3	56
DJ161129	4	56
DJ161130	1	54
DJ161131	3	54
DJ161132	8	50
DJ161133	9	50
DJ161214	1	60
DJ161218	6	60
DJ161226	1	108
DJ161227	4	96
DJ161229	12	98
DJ161247	10	106
DJ161254	9	58
DJ161255	5	58
DJ161256	1	56
DJ161257	2	56
DJ161263	4	108
DJ161272	11	58
DJ161373	12	84B
DJ161374	12	84B
DJ161403	12	84B

Part No.	Figure No.	Page No.
DJ161404	12	84B
DJ171008	10	52
DJ171032	4	52
DJ181011	15	74
DJ181011	15	76
DJ181033	3	98
DJ181037	7	98
DJ181039	17	74
DJ181041	25	80
DJ181052	22	80
DJ181069	9	98
DJ181085	21	80
DJ181087	3	80
DJ181090	7	84
DJ181103	9	80
DJ181104	11	80
DJ181115	6	50
DJ181119	4	92
DJ181120	2	98
DJ191009	6	74
DJ191010	5	72
DJ191015	3	94
DJ191021	2	72
DJ191023	1	66
DJ191026	5	66
DJ191027	6	66
DJ191028	7	66
DJ191029	8	66
DJ191030	9	66
DJ191031	10	66
DJ191032	11	66
DJ191034	13	66
DJ191054	7	74
DJ191054	7A	76
DJ191055	8	74

Parts Index

Part No.	Figure No.	Page No.
DJ191055	8	76
DJ191056	11	66
DJ191057	3	66
DJ191061	1	94
DJ191081	7A	76
DJ191082	7	76
DJ191083	8	74
DJ191083	8	76
DJ201020	19	106
DJ201021	19	24
DJ201028	15	106
DJ201049	7	100
DJ201050	7	100
DJ201072	16	98
DJ201106	13	60
DJ201109	12	66
DJ201126	9	106
DJ201137	3	92
DJ201140	14	106
DJ201159	5	92
DJ201174	6	92
DJ201176	1	98
DJ201195	22	74
DJ201195	21	78
DJ201201	5	106
DJ201202	11	44
DJ201206	2	100
DJ201206	3	100
DJ201207	1	100
DJ201207	4	100
DJ201218	2	94
DJ201246	22	74
DJ201246	21	78
DJ211003	1	40
DJ211006	3	40

Part No.	Figure No.	Page No.
DJ221003	18	74
DJ221003	29	78
DJ221004	19	74
DJ221004	30	78
DJ221006	1	104
DJ221016	2	108
DJ221019	1	104
DJ71075F	1	82
DJ71075G	1	82
DJ73024K	5	84
DJ73024M	5	84
DJ74012V	7	84
DK101126	14	30
DK101135	10	18
DK101159	1	18
DK101160	2	18
DK101176	6	46
DK101326	6	6
DK101361	8	18
DK101380	17	24
DK101382	5	18
DK101471	1	16
DK101480	14	26
DK101565	7	30
DK101569	5	30
DK101570	18	30
DK101571	19	30
DK101573	12	30
DK101574	10	30
DK101592	8	10
DK101596	15	46
DK101605	2	46
DK101614	2	8
DK101636	16	30
DK101719	19	16

Parts Index

Part No.	Figure No.	Page No.
DK101725	8	20
DK101732	5	18
DK101738	21A	26
DK101748	1	6
DK101751	2	6
DK101755	3	6
DK101770	13	46
DK121015	6	36
DK141001	4	88
DK151026	3	62
DK151026	6	62
DK151054	1	68
DK161123	9	90
DK161124	10	90
DK161153	3	102
DK161209	7	92
DK181031	20	76
DK181044	4	76
DK181058	26	78
DK181082	22	78
DK181086	23	78
DK201003	1	102
DK201037	1	106
DK201038	2	106
DK201078	12	106
DK211007	2	40
DL181010	6	98
DL191014	9	76
DM181010	17	80
DP161144	13	102
DP161145	10	102
DS101096	5	2
DS101154	5	12
DS101166	4	2
DS101201	22	26

Part No.	Figure No.	Page No.
DS101215	9	26
DS101252	21	26
DS101263	24	26
DS101275	7	12
DS101276	6	8
DS101316	7	2
DS101333	3	6
DS101335	1	6
DS101336	2	6
DS101353	10	26
DS101353	5	28
DS101353	15	28
DS101353	12	46
DS101366	8	6
DS151029	6	62
DS151030	8	62
DS151031	5	62
DS151047	7	62
DS151048	2	62
DS151049	3	62
DS151058	12	64
DS151068	21	70
DS151073	22	70
DS151074	18	70
DS161125	4	58
DS181071	10	80
DS181077	8	80
DS181085	16	80
DS191052	14	76
DS201025	22	106
DV101042	4	28
DX161047	6	96
GH201012	5	100
JB401402	20	74
JB401402	18	76

Parts Index

Part No.	Figure No.	Page No.
JC101034	13	8
JC101035	10	8
JC101114	3	46
JC101115	8	46
JC141015	15	90
JC141016	17	90
JC141017	16	90
JC141036	12	84B
JC141050	11	84B
JC141051	11	84B
JC201016	13	106
JC201017	4	74
JC201017	5	76
JC201018	5	74
JC201018	6	76
JC201039	11	60
JC201046	14	64
JD171018	14	90
JE541212	12A	28
JF131010	2	62
JF131211	5	62
JF401400	4	74
JF401400	5	76
JF401401	5	74
JF401401	6	76
JG131219	3	70
JL402004	21	106
JN131603	11	64
JN131807	7	64
JN131812	6	70
JW131807	6	68
JW171007	13	90
JW401011	8	102
JZ401013	21	106
JZ401807	9	106

Part No.	Figure No.	Page No.
LAC00020	26	78
LAD00040	24	106
PD511229	6	8